

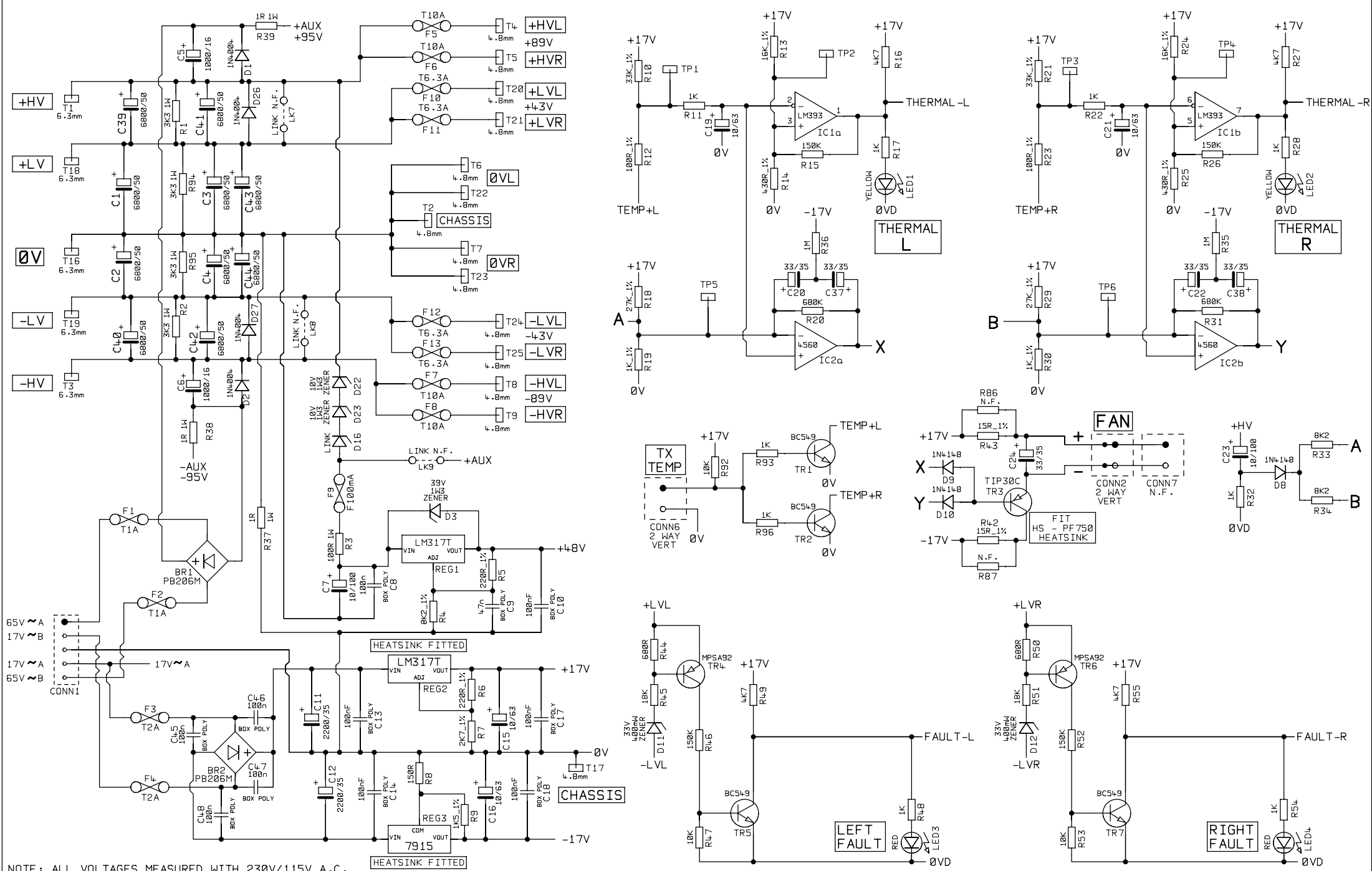
**LINK OPTIONS**

FUNCTION	FIT LINK	REMOVE LINK	FACTORY FITTED
+4.8 VOLTS	LK4		X
REV + A1 POST FADER	LK1		✓
REV + A1 PRE FADER	LK2	LK1	X
A2 + FB POST FADER	LK5	LK6	X
A2 + FB PRE FADER	LK6		✓
PRE FADE POST SOURCE EQ	LK7		✓
PRE FADE PRE SOURCE EQ	LK8	LK7	X

NOTE : COMPONENTS MARKED \* = FITTED ON HORIZON 1208 / 1216 ONLY

= FIT COMPONENT WITH BODY 3MM OFF BOARD

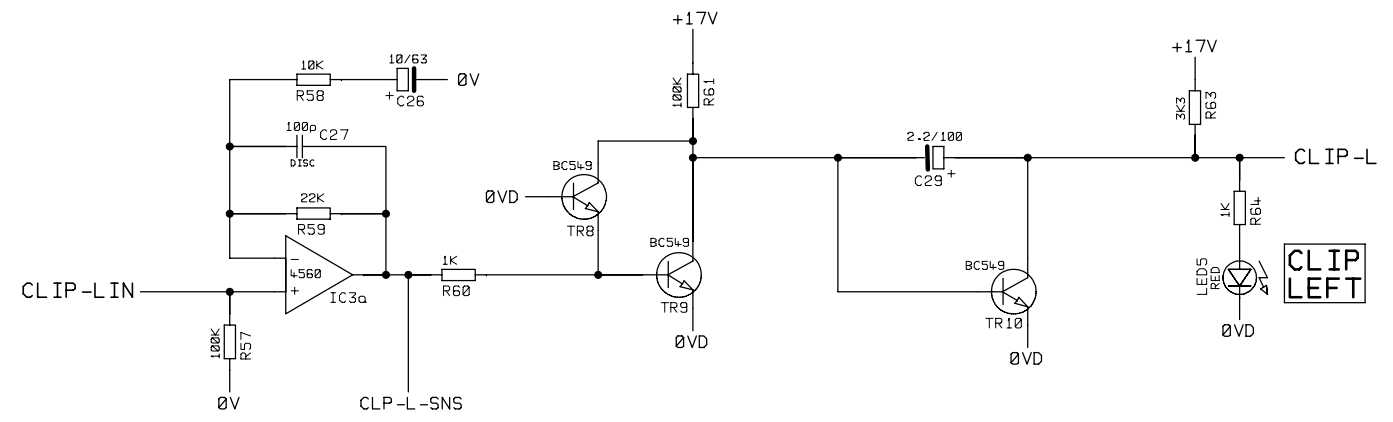
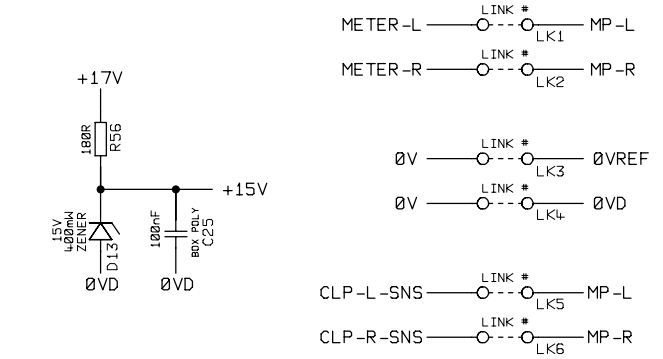
STUDIOMASTER DIAMOND LTD				TITLE		STEREO INPUT CIRCUIT		FILE NAME	
PRODUCT				POWERHOUSE VISION / HORIZON		PART 1 OF 1		R1C6-3.DGM	
VERSIONS				708	712	1208	1216	ISSUE No	
				DRN BY		P.A.	DATE		22-07-97
								<b>R1C6-3</b>	



NOTE: ALL VOLTAGES MEASURED WITH 230V/115V A.C.

REV A - R14 & R25 CHANGED FROM 390R\_1% TO 430R\_1%  
R13 & R24 CHANGED FROM 15K\_1% TO 16K\_1%

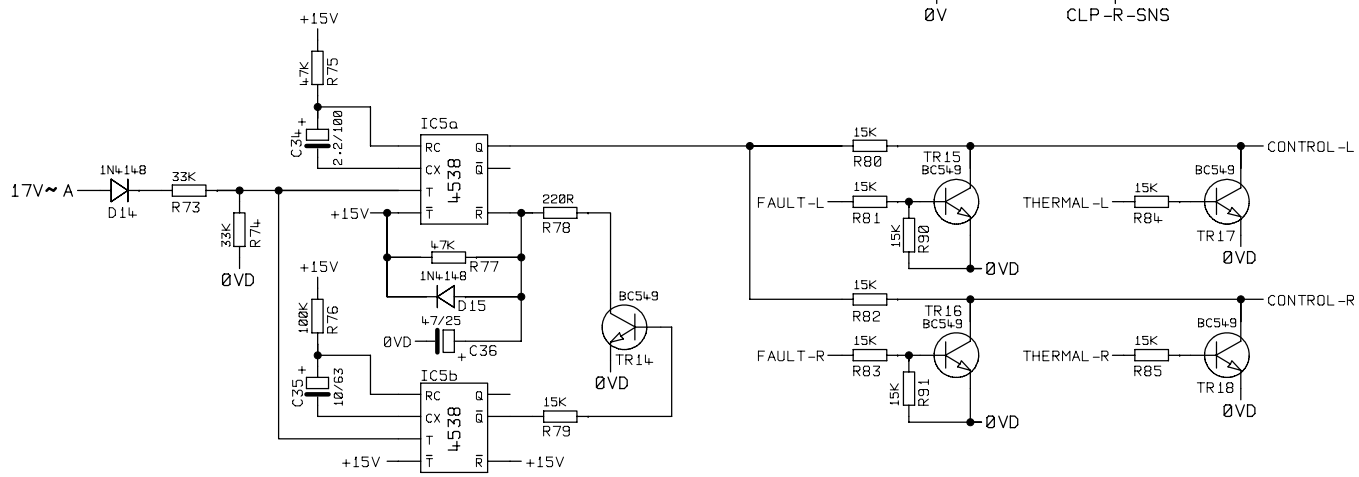
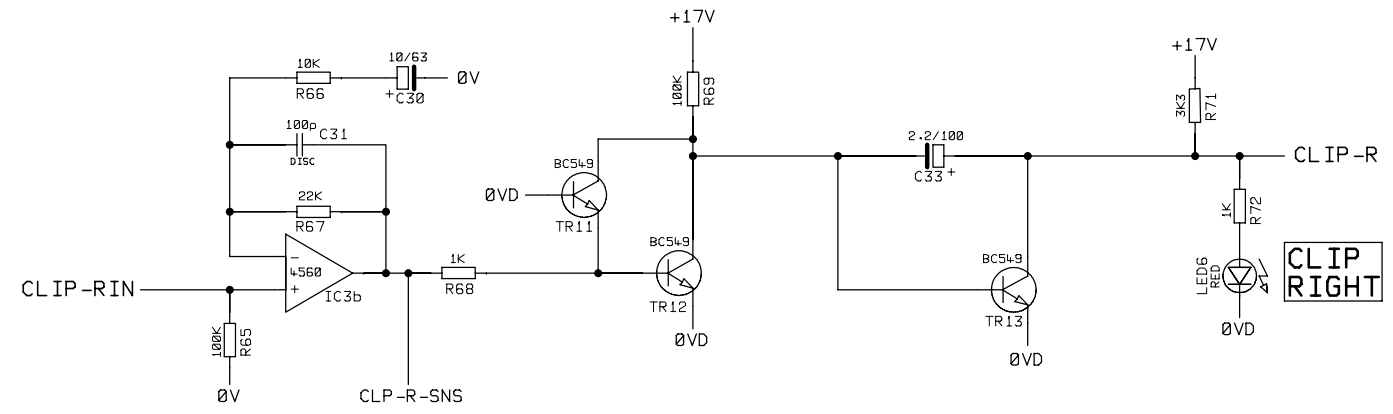
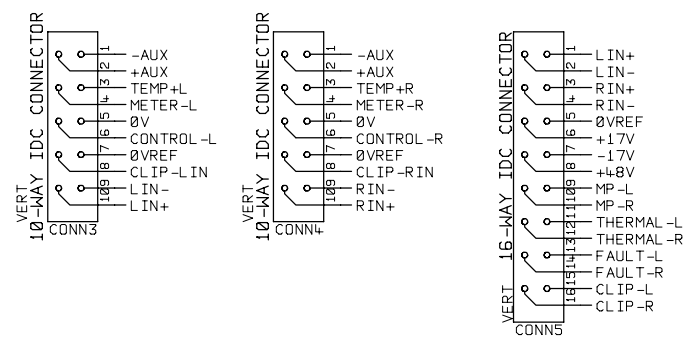
STUDIOMASTER DIAMOND LTD		TITLE	AMPLIFIER PSU CIRCUIT		FILE NAME
PRODUCT	HORIZON/1200D/1500E	PART 1 OF 2			R2C1A-4.DGM
VERSIONS	ALL	DRN BY	P.A.	DATE	22-09-99
					ISSUE No
					<b>R2C1A-4</b>
					REV A



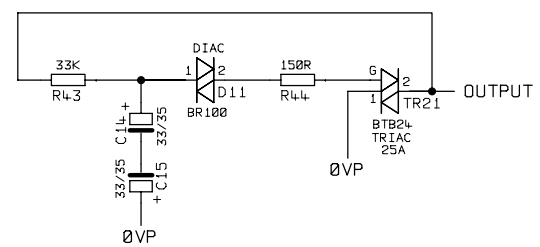
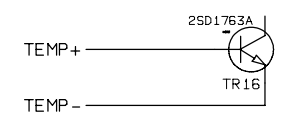
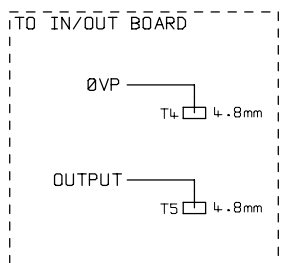
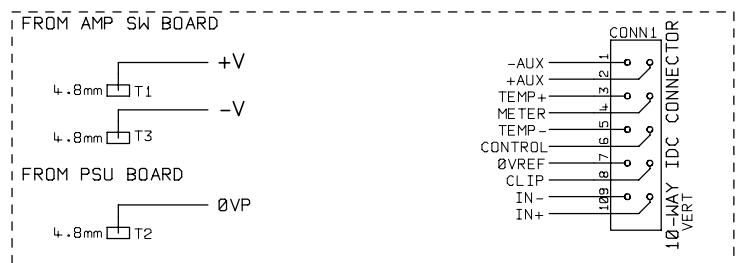
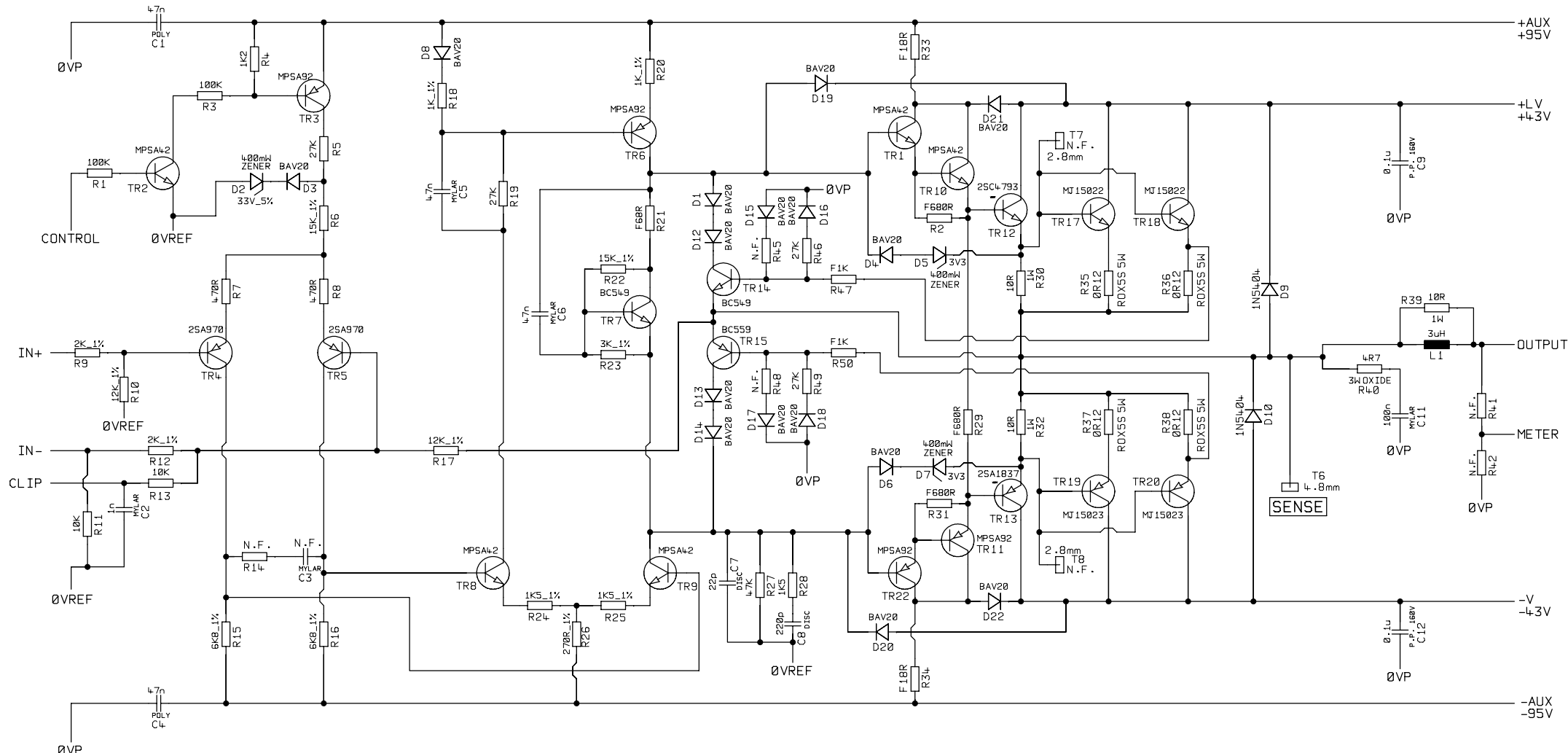
TO LEFT AMP

TO RIGHT AMP

TO IN-OUT BOARD



STUDIOMASTER DIAMOND LTD		TITLE	AMPLIFIER PSU CIRCUIT		FILE NAME	R2C1B-4.DGM
PRODUCT	HORIZON/1200D/1500E	PART 2 OF 2			ISSUE No	R2C1B-4
VERSIONS	ALL	DRN BY	P.A.	DATE	22-09-99	REV A

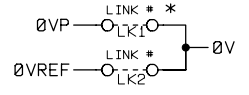
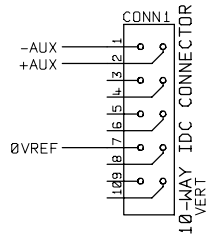
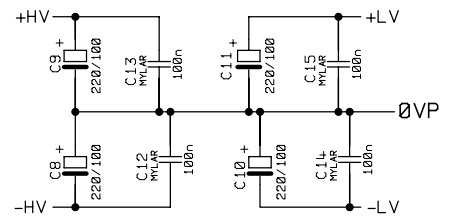
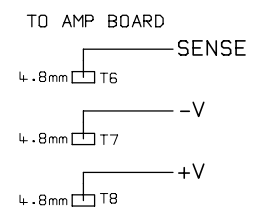
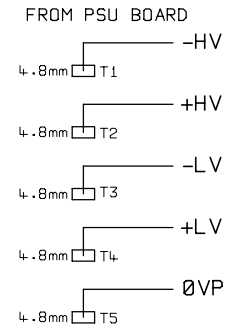
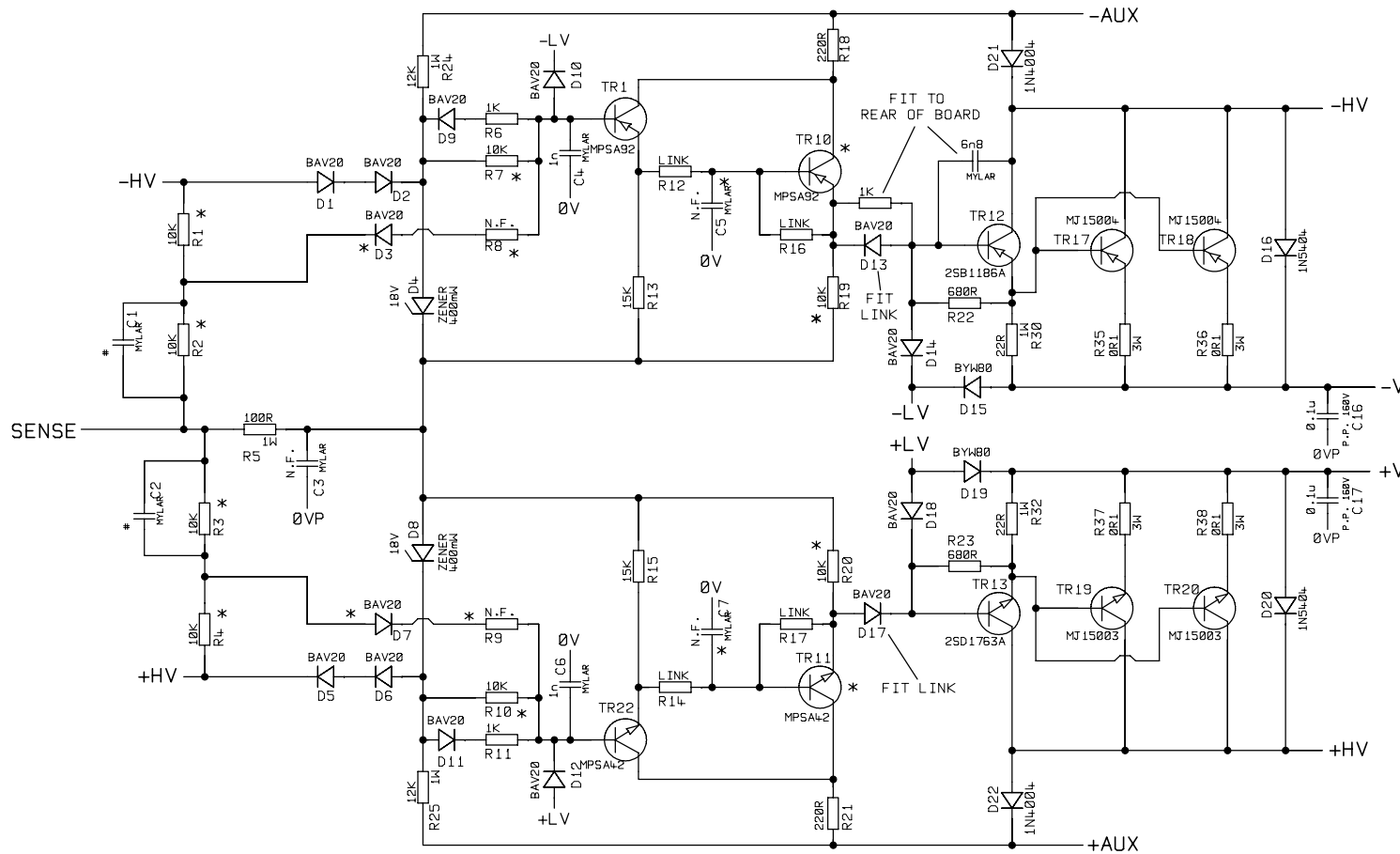


NOTE: VOLTAGES MEASURED AT 230V A.C. SUPPLY

REV1 = R4.5, R4.8 39k 5% REMOVED.  
 R4.7, R50 CHANGED FROM 220R 5% TO 220R 5% FUSIBLE

REV2 = 1500E ADDED TO RANGE, R4.6&R4.9 CHANGED FROM 3K3\_1% TO 27K  
 R4.7&R50 CHANGED FROM F220R TO F1K (FUSIBLE)  
 R35, R36, R37, R38 CHANGED FROM 0R15 ROX55 TO 0R12 ROX55

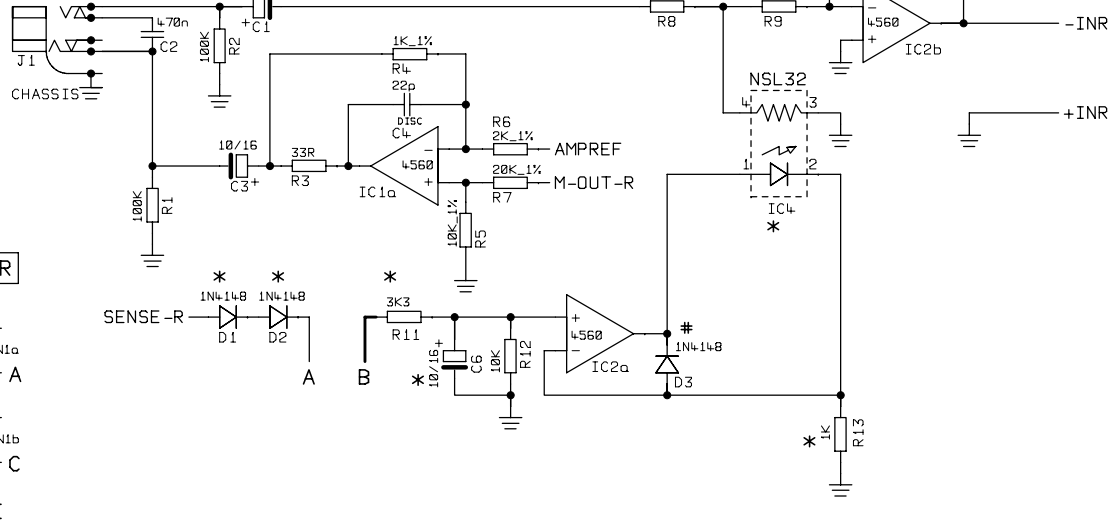
STUDIOMASTER DIAMOND LTD		TITLE		AMPLIFIER AMP CIRCUIT		FILE NAME	
PRODUCT		1200D 1500E PHH		PART 1 OF 1		R2C5-4.DGM	
VERSIONS		ALL MODELS		DRN BY		P.A. DATE 06-09-99	
						ISSUE No	
						R2C5-4	
						REV2	



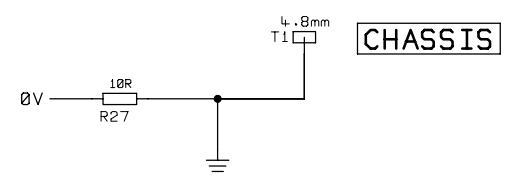
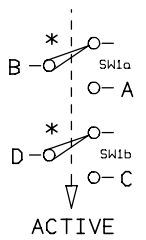
\* = NOT FITTED COMPONENTS

STUDIOMASTER DIAMOND LTD			TITLE	AMP SWITCHING CIRCUIT			FILE NAME	R2C13-1.DGM
PRODUCT	PH HORIZON 1200D		PART 1 OF 1		ISSUE No			R2C13-1
VERSIONS	1208	1216	1500E	DRN BY	P.A.	DATE	03-07-97	REV1

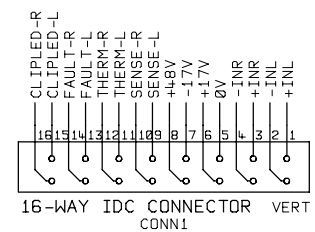
RIGHT INSERT



LIMITER

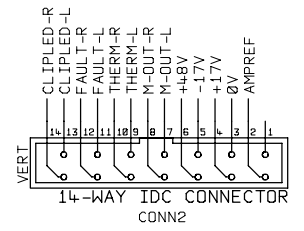
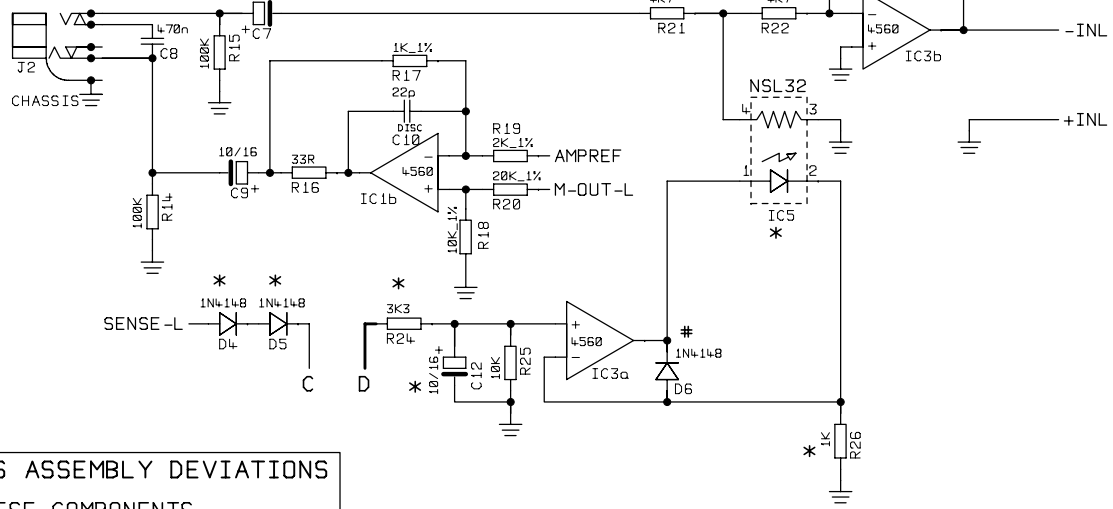


CHASSIS

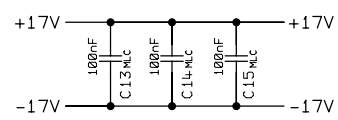


FROM PSU PCB

LEFT INSERT



TO MIXER



POWERHOUSE FOCUS ASSEMBLY DEVIATIONS  
 \* = DO NOT FIT THESE COMPONENTS  
 # = D3 & D6 FIT LINK IN THESE POSITIONS

NOTE :

FOCUS / VISION 700		HORIZON 1200	
R10 R23	51K	68K	

STUDIOMASTER DIAMOND LTD

TITLE INSERT PCB CIRCUIT

FILE NAME R8C3-2.DGM

PRODUCT POWERHOUSE

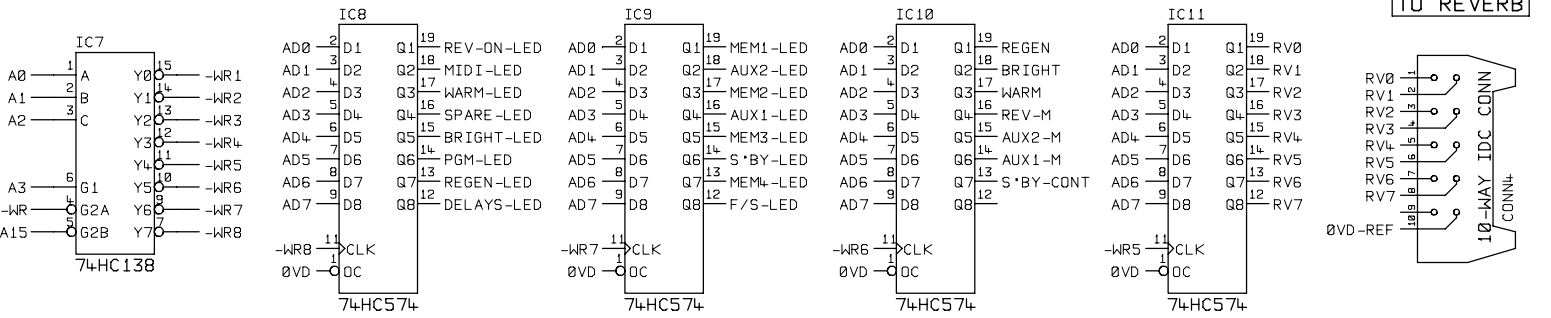
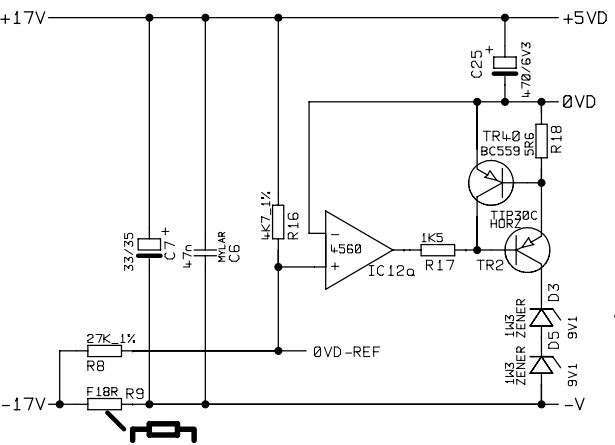
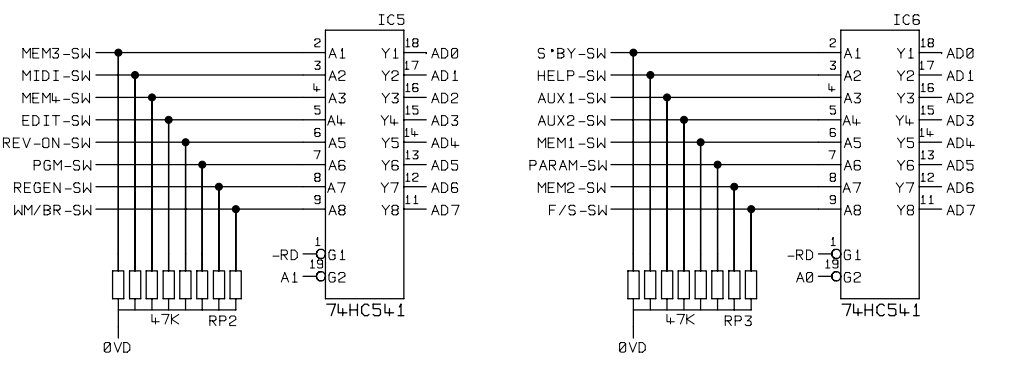
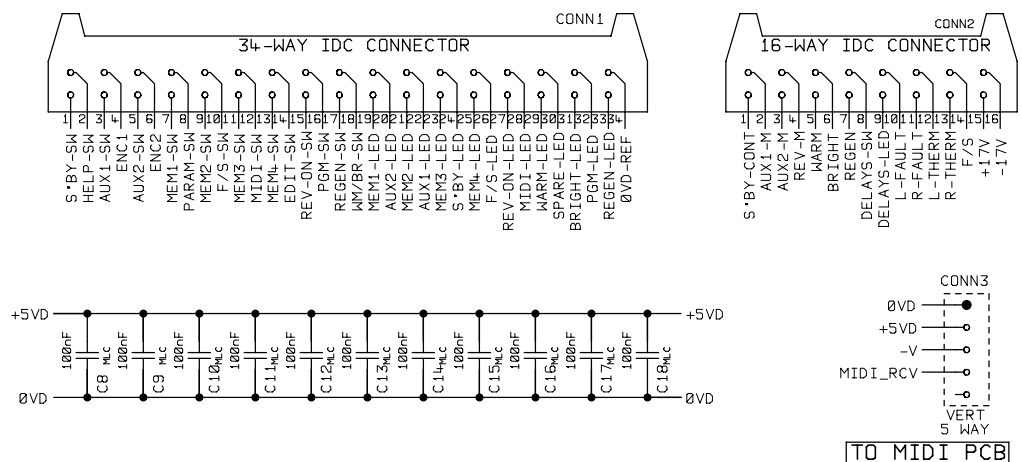
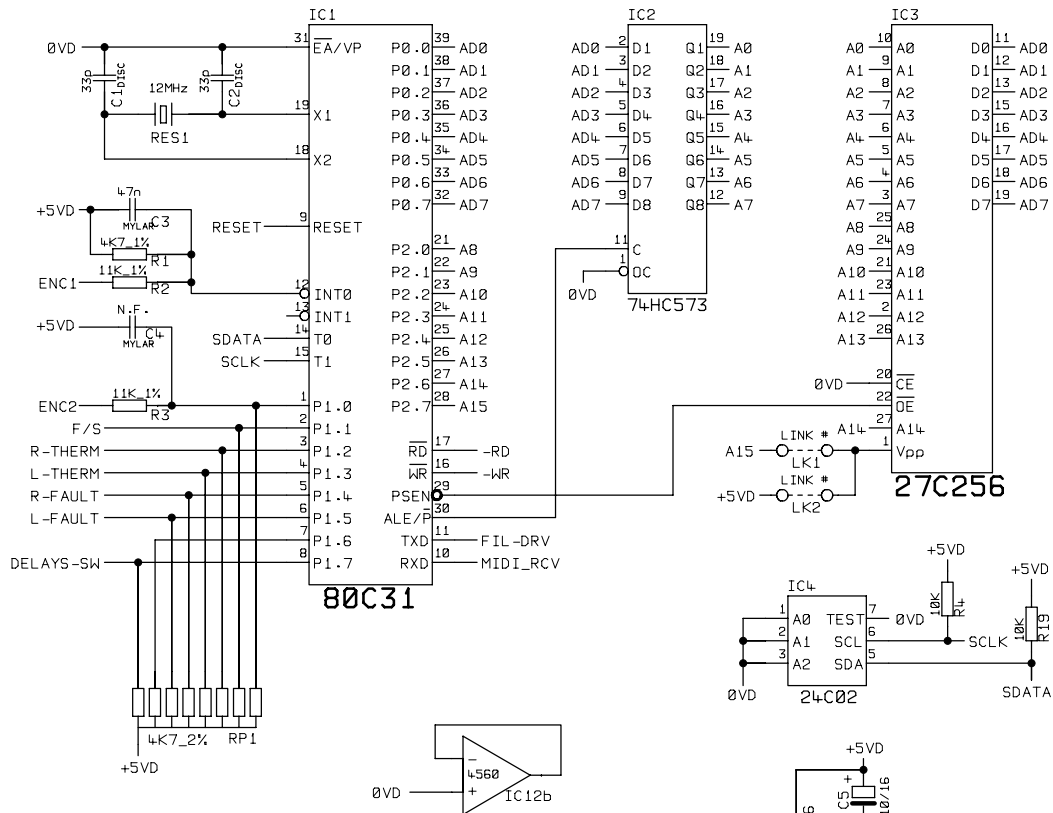
PART 1 OF 1

ISSUE No

VERSIONS FOCUS/VISION700 712/HORIZON1200 1216

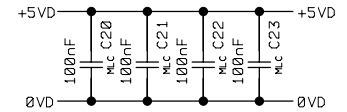
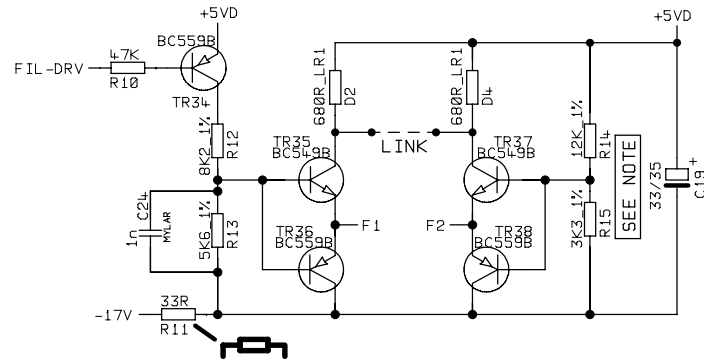
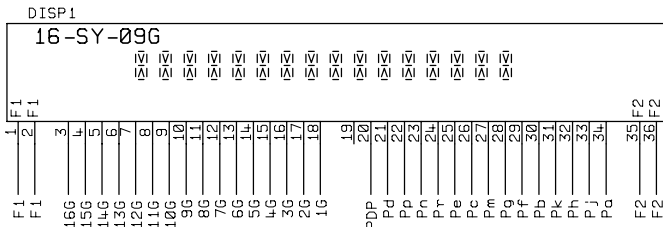
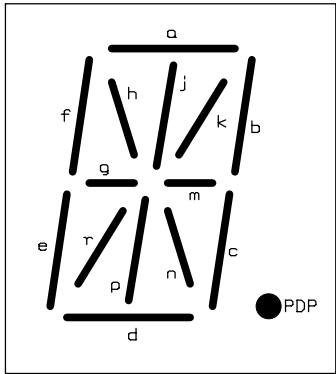
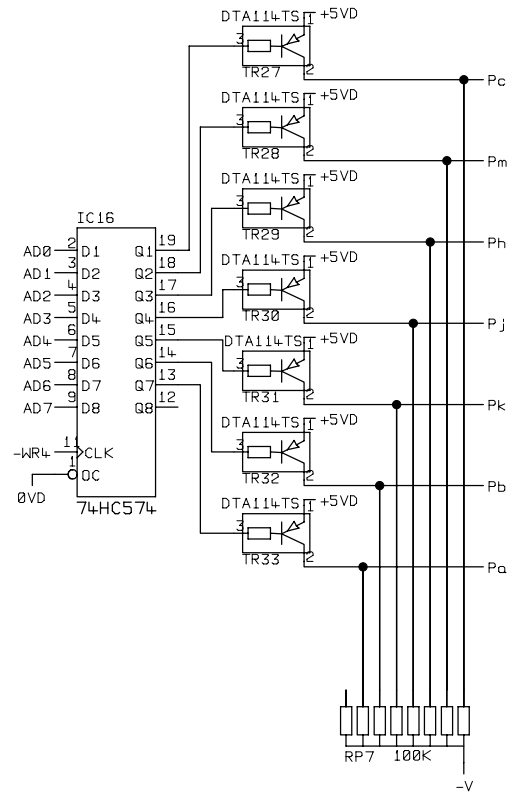
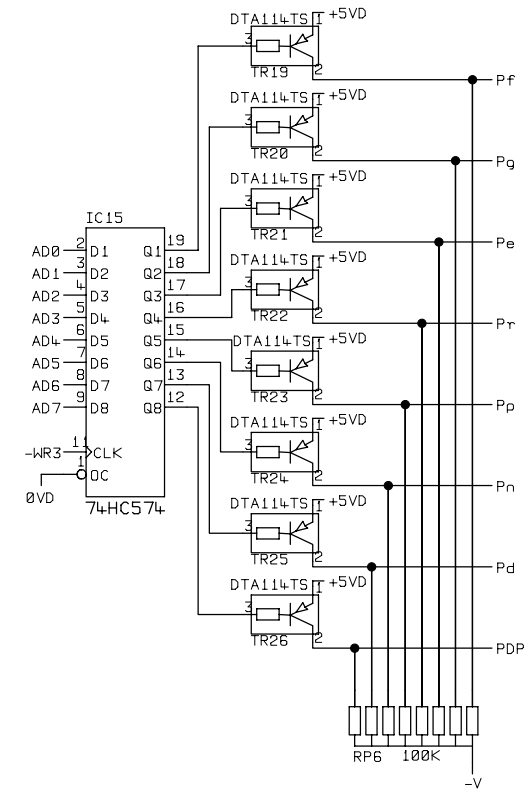
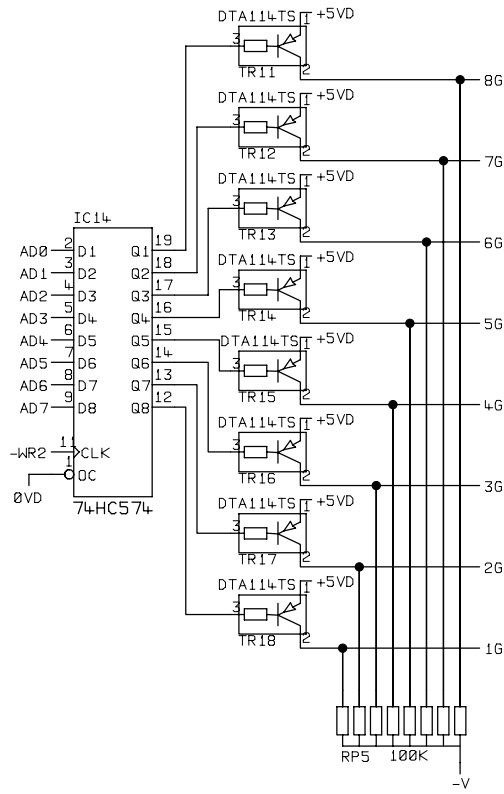
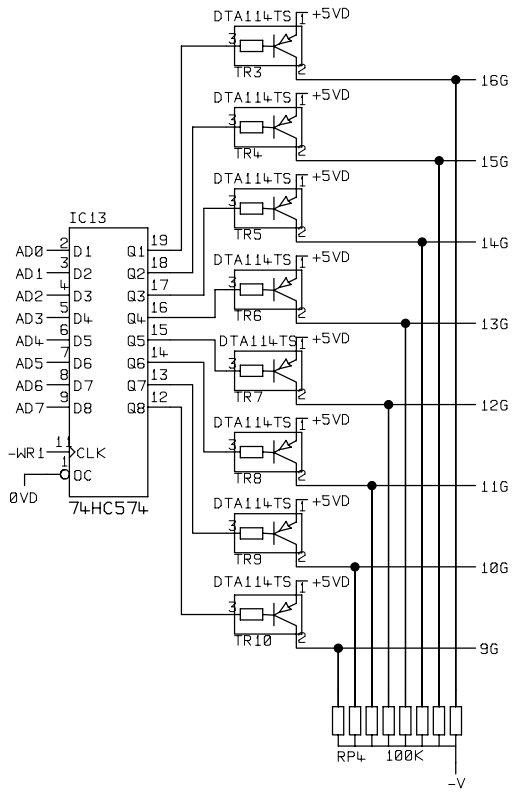
DRN BY P.A. DATE 12-06-98

R8C3-2



REV A = SEE R8C7B-2 FOR DETAILS		STUDIOMASTER DIAMOND LTD		TITLE DISPLAY PROCESSOR PCB		FILE NAME R8C7A-2.DGM	
PRODUCT POWERHOUSE VISION/ HORIZON		PART 1 OF 2		ISSUE No		R8C7A-2	
VERSIONS 708 712 1208 1216		DRN BY P.A.		DATE 14-05-99		REV A	

= FIT COMPONENT WITH BODY 3MM OFF BOARD



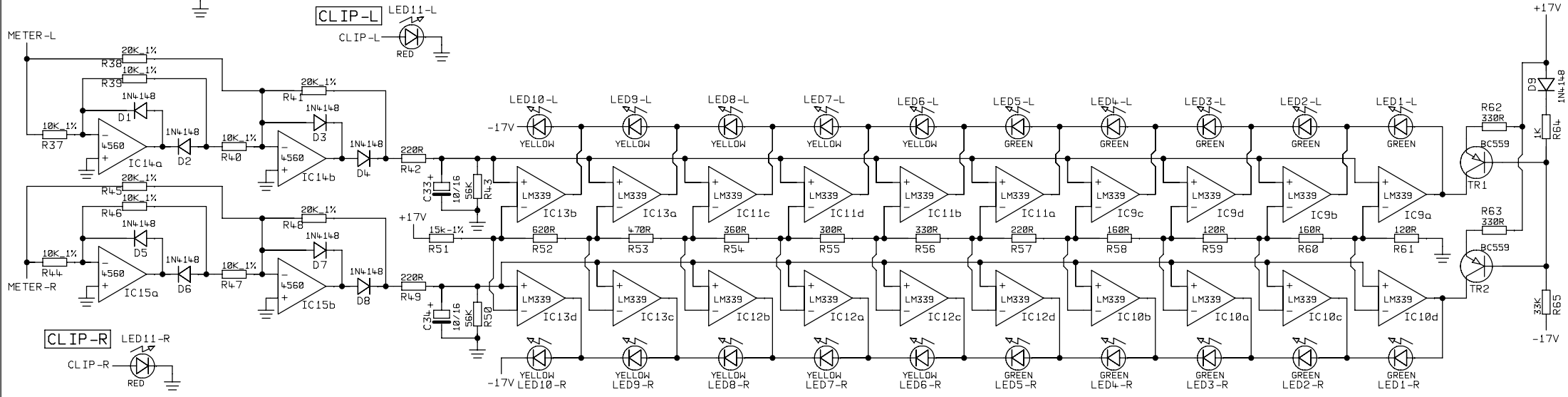
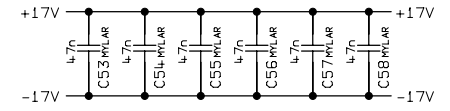
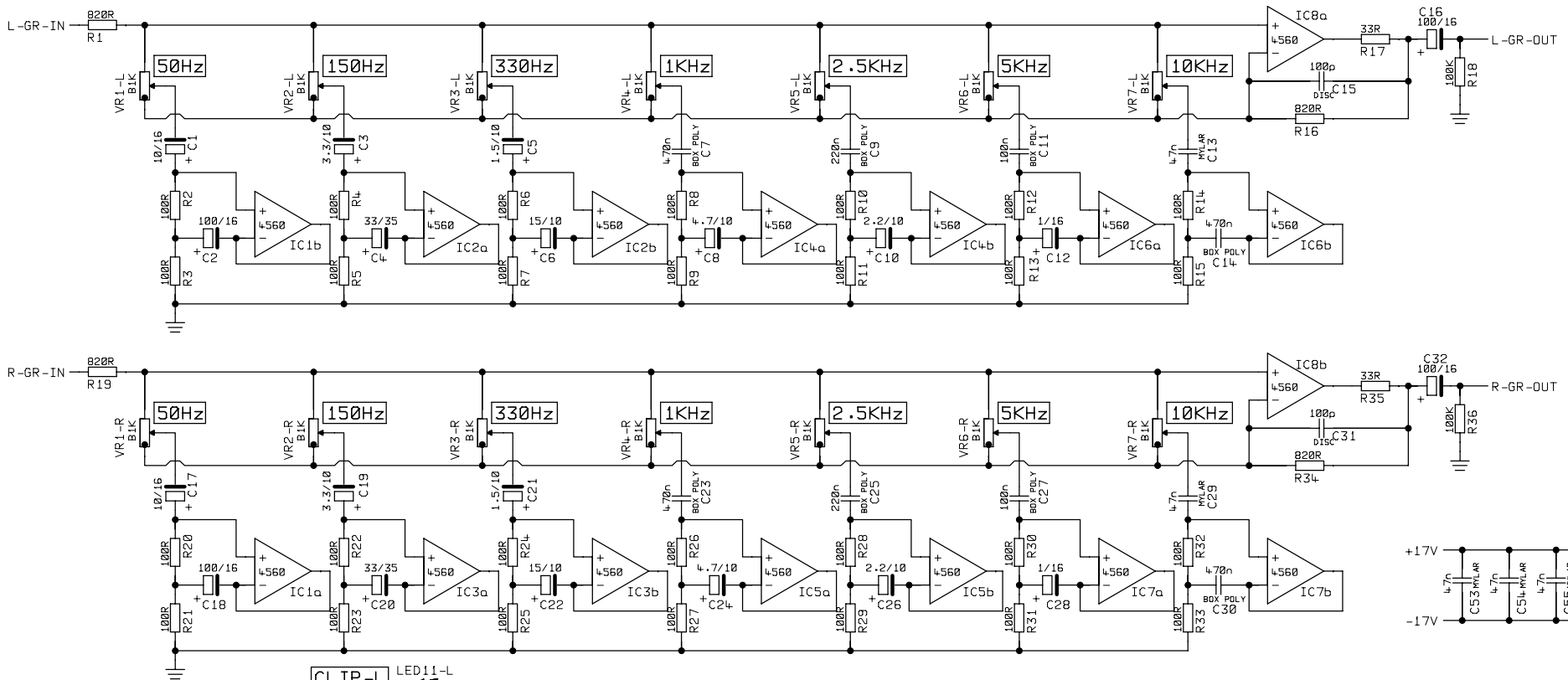
REV A = D2 & D4 CHANGED FROM 1W3 15V ZENER DIODES TO 680R LR1 or 0.5W RATED PART IN 0.25W BODY SIZE  
LINK ACROSS D2 & D4

NOTE	BC54-9 AND BC559 TRANSISTOR TYPES	
	B GRADE	C GRADE
R14	12K_1%	16K_1%
R15	3K3_1%	4K3_1%

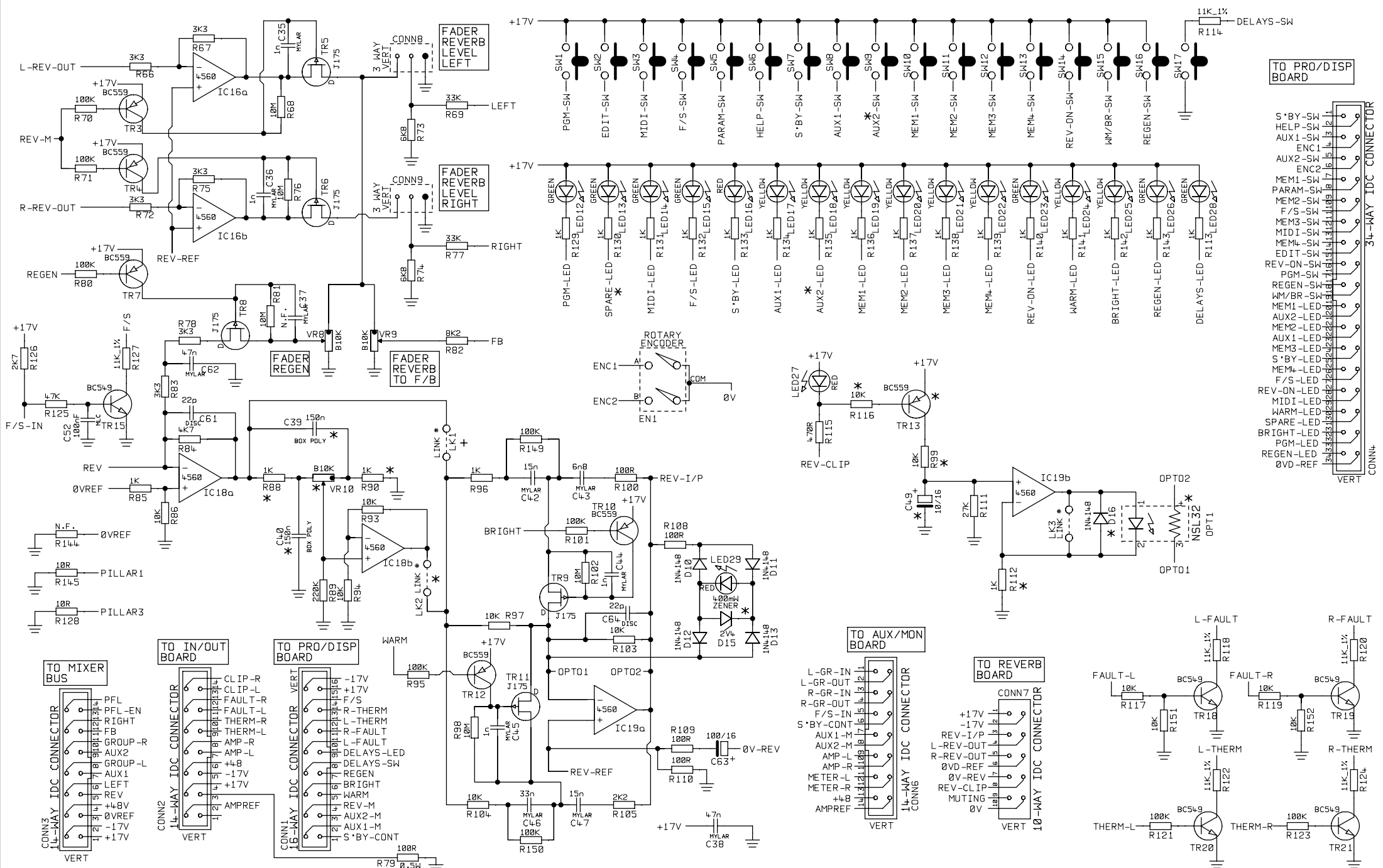
= FIT COMPONENT WITH BODY 3MM OFF BOARD

STUDIOMASTER DIAMOND LTD		TITLE	DISPLAY PROCESSOR PCB		FILE NAME	R8C7B-2.DGM		
PRODUCT	POWERHOUSE VISION/ HORIZON		PART 2 OF 2		ISSUE No	R8C7B-2		
VERSIONS	708	712	1208	1216	DRN BY	P.A.	DATE	14-05-99
							REV A	



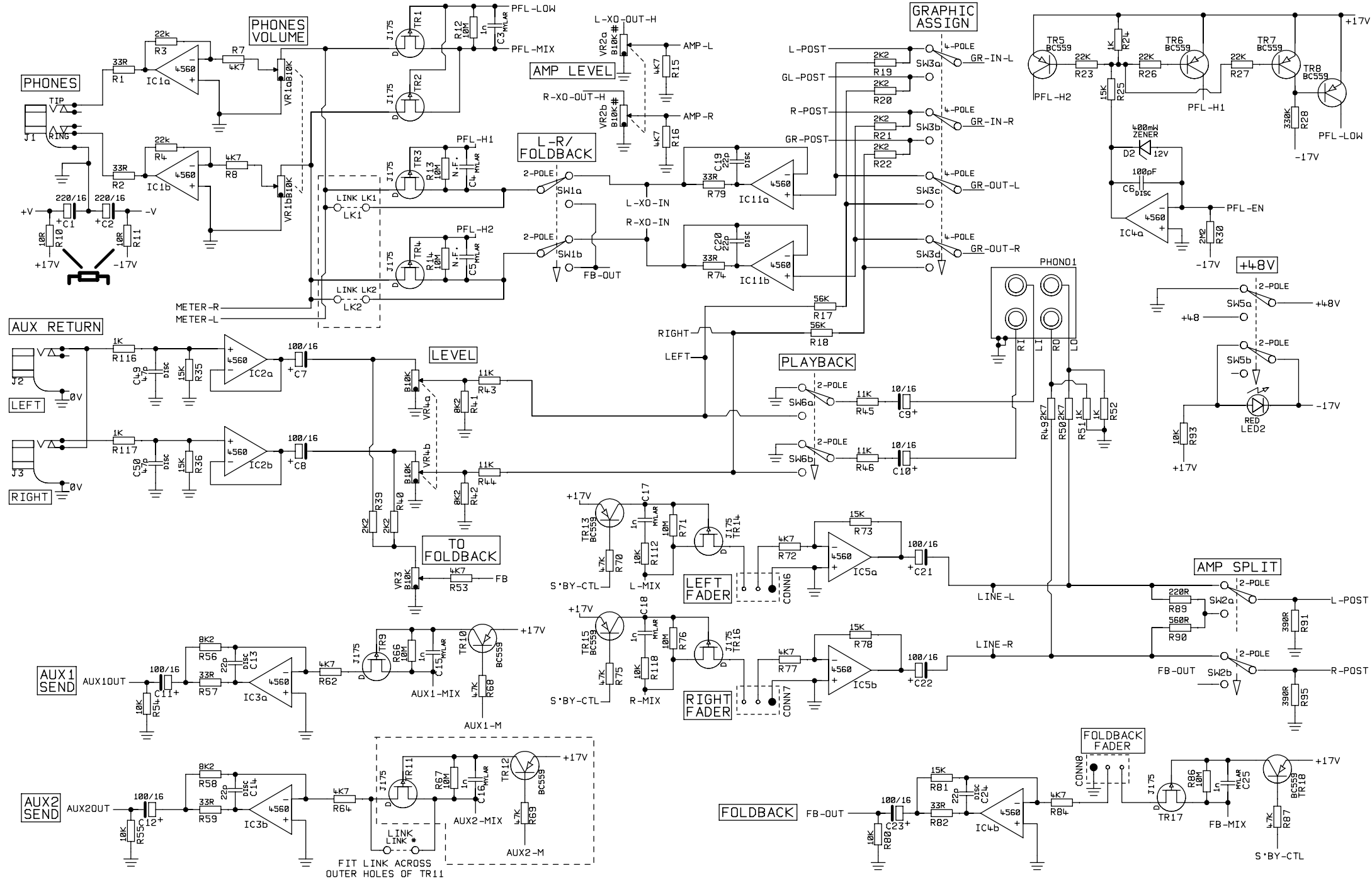


STUDIOMASTER DIAMOND LTD		TITLE CONTROL/GRAPHIC BOARD		FILE NAME R8C8A-3.DGM
PRODUCT	POWERHOUSE VISION / HORIZON	PART 1 OF 2		ISSUE No
VERSIONS	708 712 1208 1216	DRN BY	P.A.	DATE 03-07-97
				<b>R8C8A-3</b>



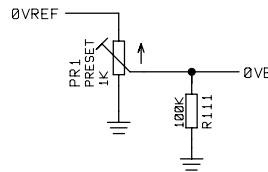
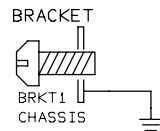
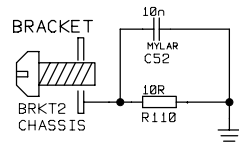
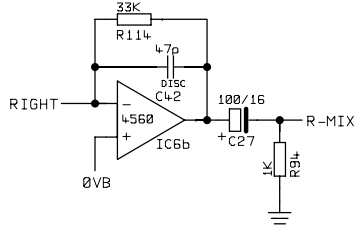
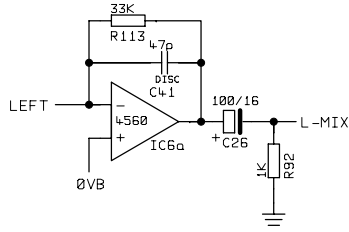
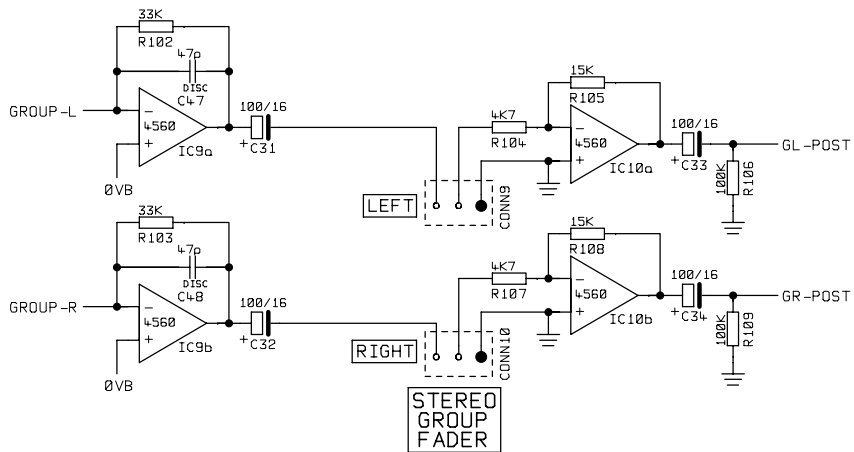
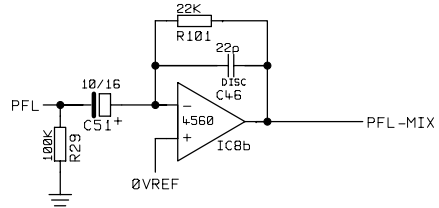
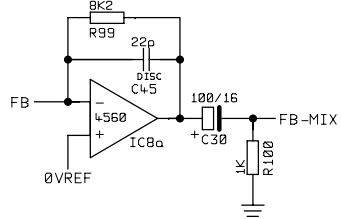
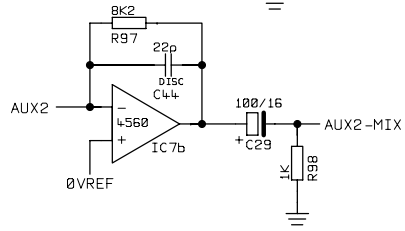
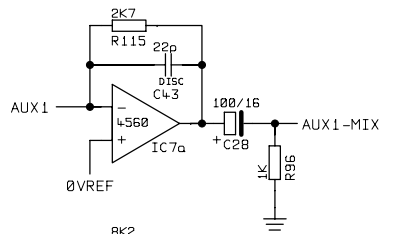
\* = NOT FITTED COMPONENTS

STUDIOMASTER DIAMOND LTD		TITLE CONTROL/GRAPHIC BOARD		FILE NAME R8C8B-3.DGM	
PRODUCT	POWERHOUSE VISION / HORIZON	PART 2 OF 2		ISSUE No	
VERSIONS	708 712 1208 1216	DRN BY	P.A.	DATE	15-09-97
				R8C8B-3 REV A	

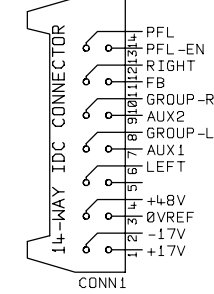


# VR2 ON SINGLE VOLTAGE MODELS IS B1K  
 NOTE : ITEMS IN DOTTED ARE NOT FITTED  
 [Symbol] = FIT COMPONENT WITH BODY 3MM OFF BOARD

STUDIOMASTER DIAMOND LTD		TITLE		AUX BOARD		FILE NAME	
POWERHOUSE VISION / HORIZON		PART 1 OF 2		DATE		R8C9A-2.DGM	
VERSIONS		DRN BY		DATE		ISSUE No	
708	712	1208	P.A.	04-12-97	R8C9A-2		REV2

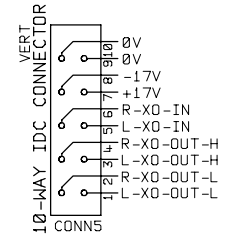


TO MIXER BUS

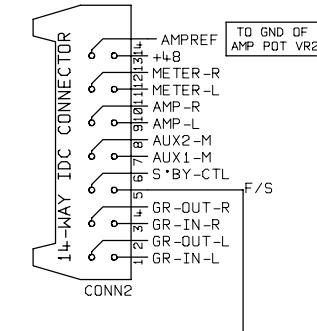


OPTIONAL CROSSOVER BOARD CONNECTIONS

TO XOVER BOARD

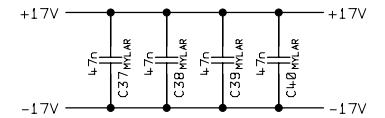
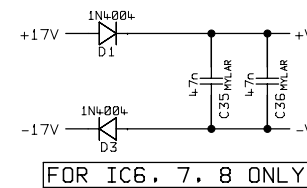
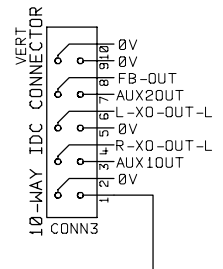


TO CONTROL /GRAPHIC



REAR PANEL CONNECTOR BOARD

TO CONNECTOR BOARD



STUDIOMASTER DIAMOND LTD

TITLE

AUX BOARD

FILE NAME  
R8C9B-2.DGM

PRODUCT

POWERHOUSE VISION/ HORIZON

PART 2 OF 2

ISSUE No

R8C9B-2

VERSIONS

708 712 1208 1216

DRN BY

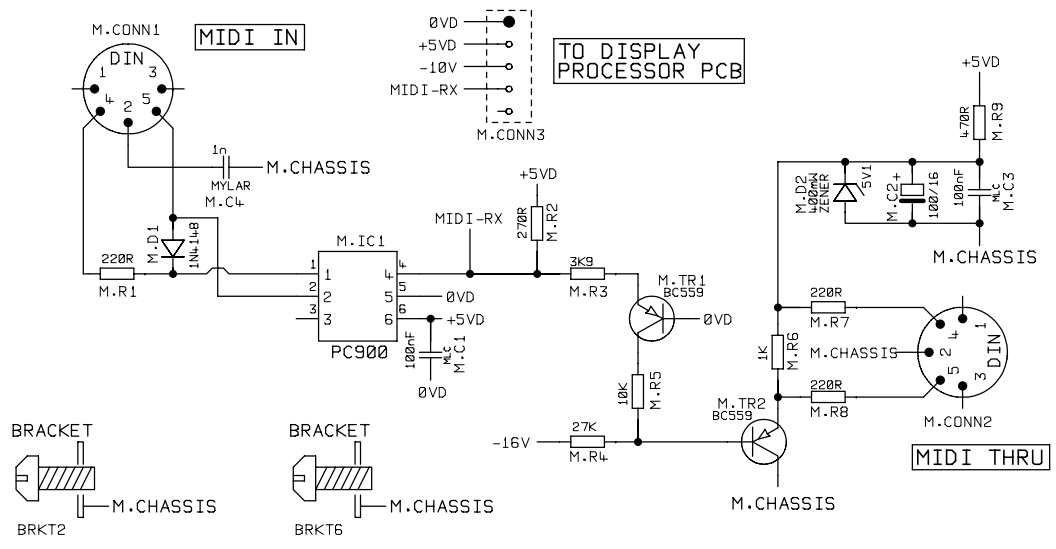
P.A.

DATE

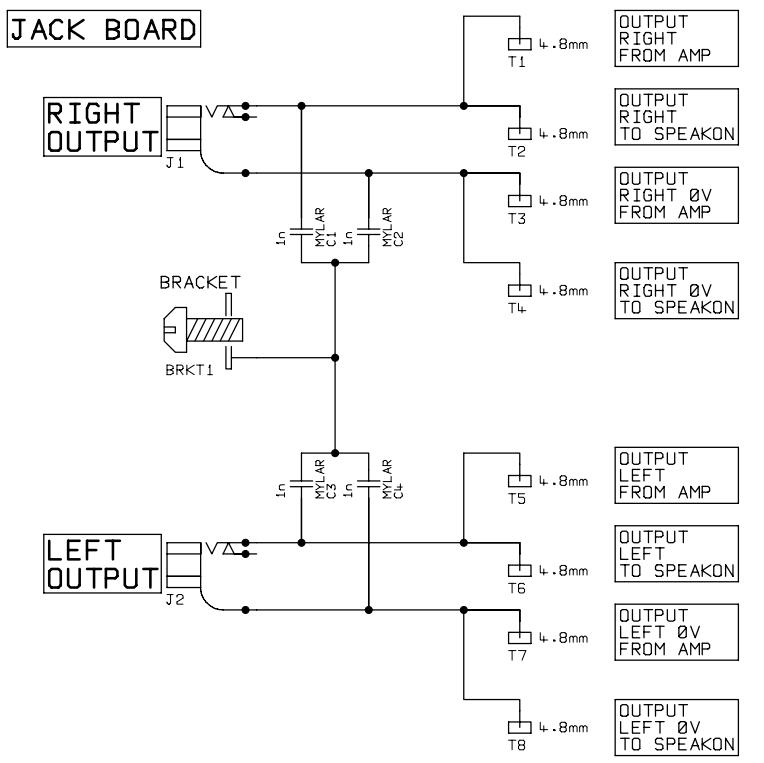
07-10-97

REV1

**NOT FITTED ON FOCUS VERSIONS**



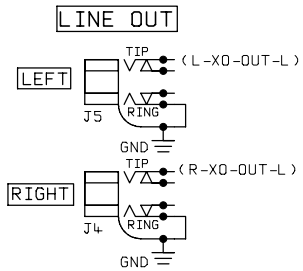
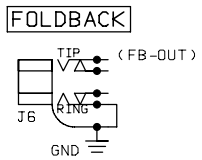
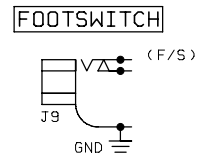
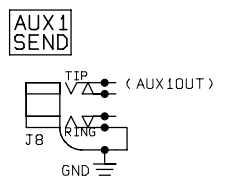
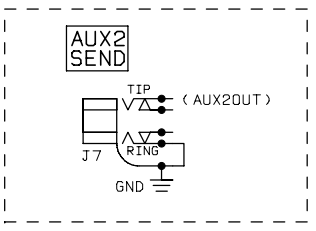
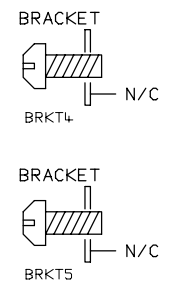
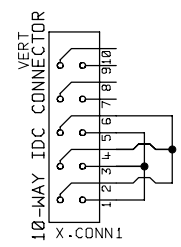
**NOT FITTED ON HORIZON 1208/1216 VERSIONS**



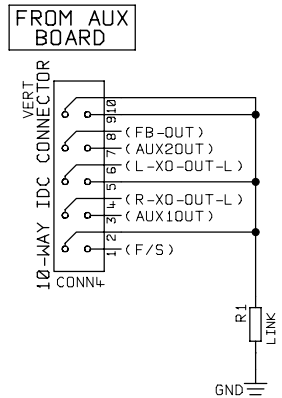
**NOT FITTED ON FOCUS VERSIONS**

OPTIONAL CROSSOVER BOARD CONNECTIONS

STANDARD BY-PASS BOARD

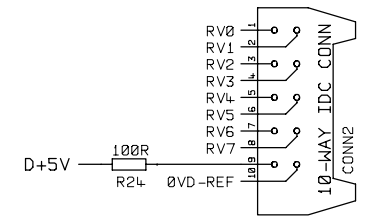
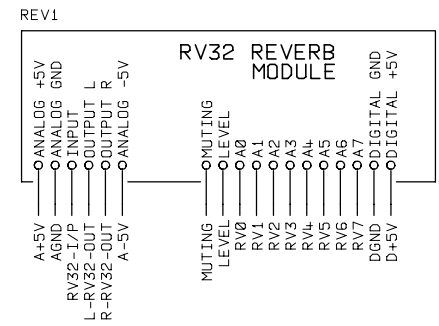
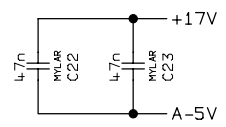
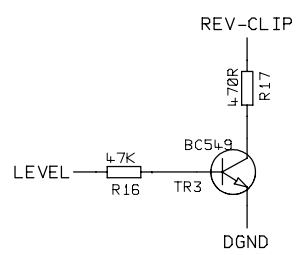
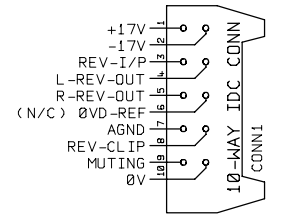
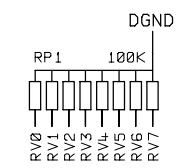
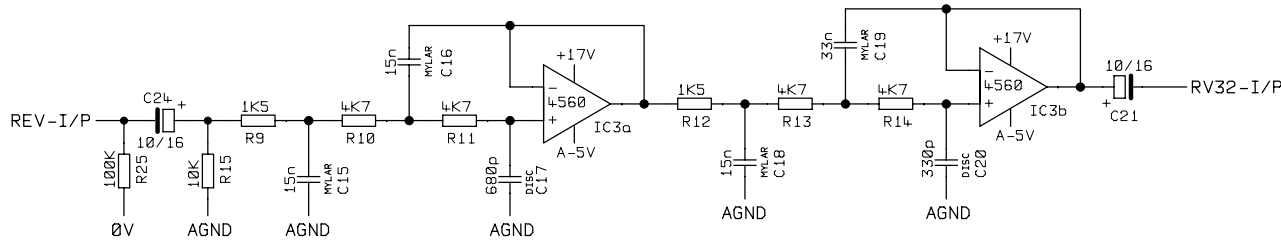
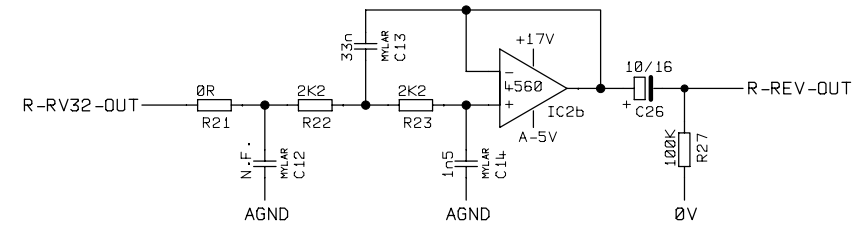
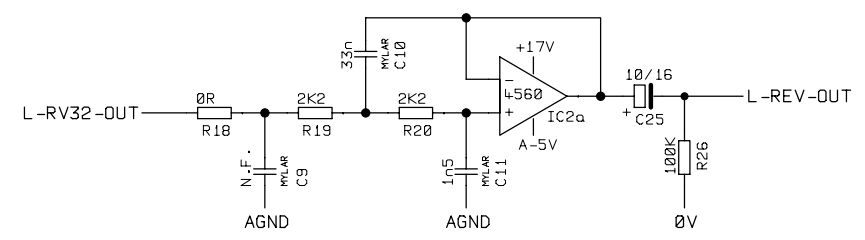
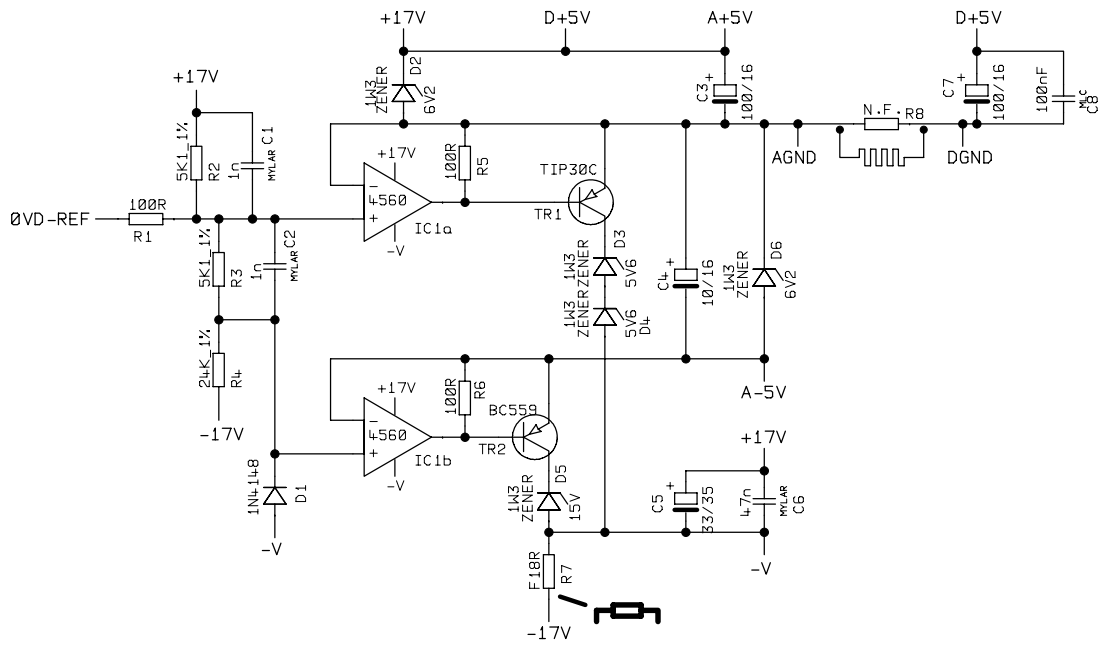


**REAR PANEL CONNECTOR BOARD**



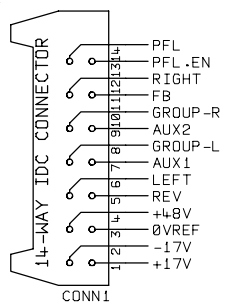
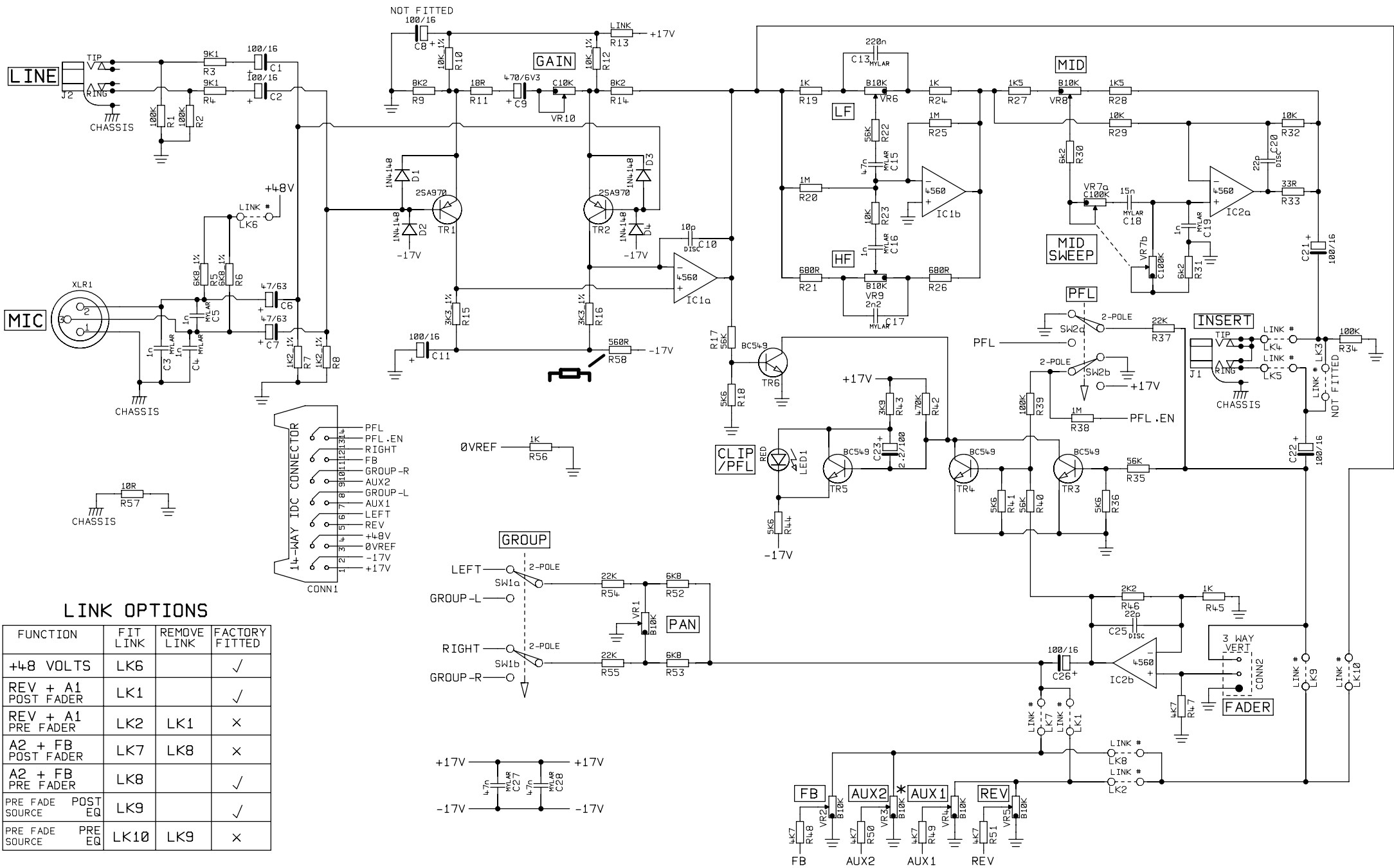
NOTE: CIRCUIT IN DOTTED LINES HORIZON 1208 / 1216 VERSIONS ONLY

STUDIOMASTER DIAMOND LTD		TITLE	MIDI/XOVER/AUX CONN BOARD / JACK OUTPUT BOARD		FILE NAME	R8C10-2.DGM
PRODUCT	POWERHOUSE	PART 1 OF 1			ISSUE No	R8C10-2
VERSIONS	FOCUS/VISION708 712/HORIZON1208 1216	DRN BY	P.A.	DATE	08-04-98	REV A



= FIT COMPONENT WITH BODY 3MM OFF BOARD

STUDIOMASTER DIAMOND LTD		TITLE	REVERB INTERFACE PCB		FILE NAME	R8C18-3.DGM	
PRODUCT	POWERHOUSE VISION/ HORIZON	PART 1 OF 1			ISSUE No		
VERSIONS	708 712 1208 1216	DRN BY	P.A.	DATE	01-07-97		
					<b>R8C18-3</b>		



**LINK OPTIONS**

FUNCTION	FIT LINK	REMOVE LINK	FACTORY FITTED
+4.8 VOLTS	LK6		✓
REV + A1 POST FADER	LK1		✓
REV + A1 PRE FADER	LK2	LK1	✗
A2 + FB POST FADER	LK7	LK8	✗
A2 + FB PRE FADER	LK8		✓
PRE FADE POST SOURCE	LK9		✓
PRE FADE PRE EQ	LK10	LK9	✗

NOTE : COMPONENTS MARKED \* = FITTED ON HORIZON 1208 / 1216 ONLY

STUDIOMASTER DIAMOND LTD

TITLE MONO INPUT CIRCUIT

FILE NAME R1C4-4.DGM

PRODUCT POWERHOUSE VISION / HORIZON

PART 1 OF 1

ISSUE No

VERSIONS 708 712 1208 1216

DRN BY P.A. DATE 22-07-97

R1C4-4

= FIT COMPONENT WITH BODY 3MM OFF BOARD