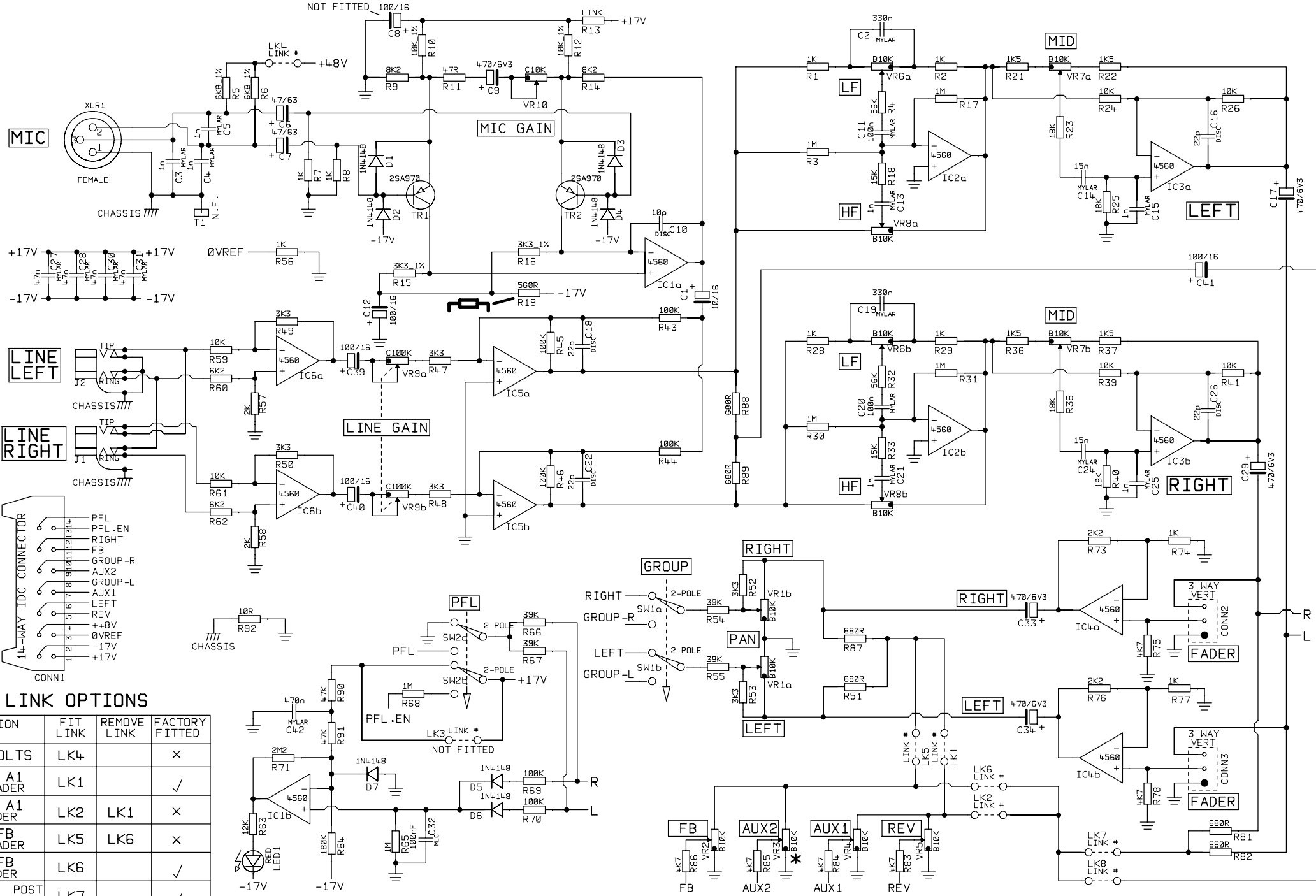


NOTE: VOLTAGES MEASURED AT 230V A.C. SUPPLY

REV3 = R47 & R50 CHANGED FROM 220R 5% TO 220R 5% FUSIBLE
 R4 CHANGED FROM 1K2 5% TO 1K5 5%
 REV4 = R45, R48 33k 5% REMOVED
 R46, R49 CHANGED FROM 5K6 TO 2K7 5%
 REV5 = 900E ADDED TO RANGE, R46 & R49 CHANGED FROM 2K7 TO 15K
 R47 & R50 CHANGED FROM F220R TO F1K (FUSIBLE),
 R35, R36, R37, R38 CHANGED FROM 0R22 ROX35 TO 0R18 ROX35

STUDIOMASTER DIAMOND LTD		TITLE		AMPLIFIER AMP CIRCUIT		FILE NAME		R1C5-4.DGM	
PRODUCT		700D 900E PHV PHF		PART 1 OF 1		ISSUE No		R1C5-4	
VERSIONS		ALL MODELS		DRN BY		P.A.		DATE	
								06-09-99	
								REV5	



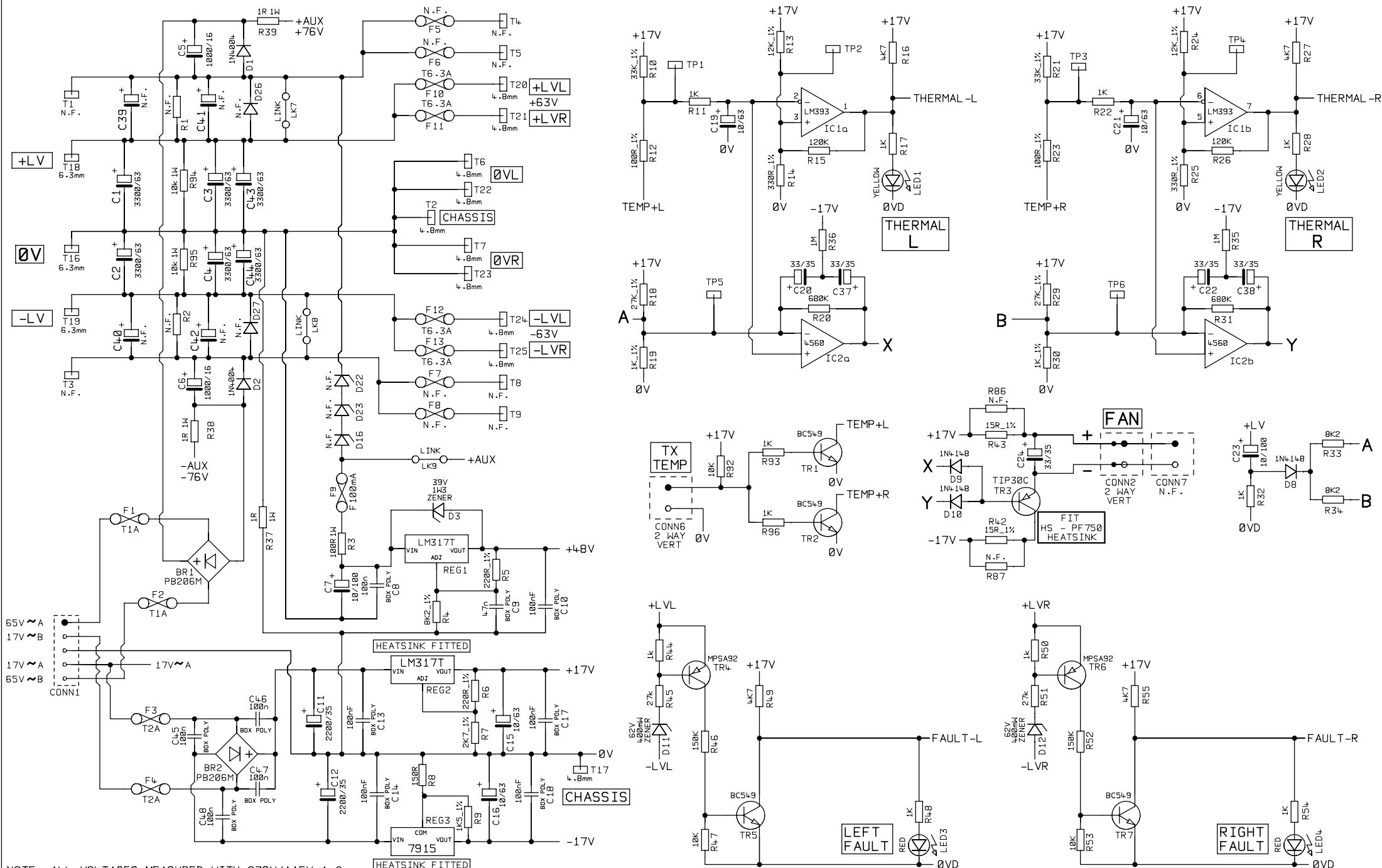
LINK OPTIONS

FUNCTION	FIT LINK	REMOVE LINK	FACTORY FITTED
+48 VOLTS	LK4		X
REV + A1 POST FADER	LK1		✓
REV + A1 PRE FADER	LK2	LK1	X
A2 + FB POST FADER	LK5	LK6	X
A2 + FB PRE FADER	LK6		✓
PRE FADE POST SOURCE EQ	LK7		✓
PRE FADE PRE SOURCE EQ	LK8	LK7	X

NOTE : COMPONENTS MARKED * = FITTED ON HORIZON 1208 / 1216 ONLY

= FIT COMPONENT WITH BODY 3MM OFF BOARD

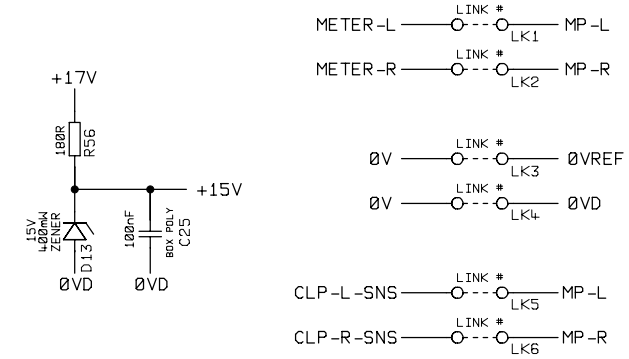
STUDIOMASTER DIAMOND LTD				TITLE		STEREO INPUT CIRCUIT		FILE NAME	
PRODUCT				POWERHOUSE VISION / HORIZON		PART 1 OF 1		R1C6-3.DGM	
VERSIONS				708	712	1208	1216	ISSUE No	
				DRN BY		P.A.		DATE	
						22-07-97		R1C6-3	



NOTE: ALL VOLTAGES MEASURED WITH 230V/115V A.C.

STUDIOMASTER DIAMOND LTD		TITLE	AMPLIFIER PSU CIRCUIT		FILE NAME
PRODUCT	VISION. FOCUS. 700D	PART 1 OF 2			R2C1C-4.DGM
VERSIONS	ALL	900E	DRN BY	P.B.	DATE
					09-06-99

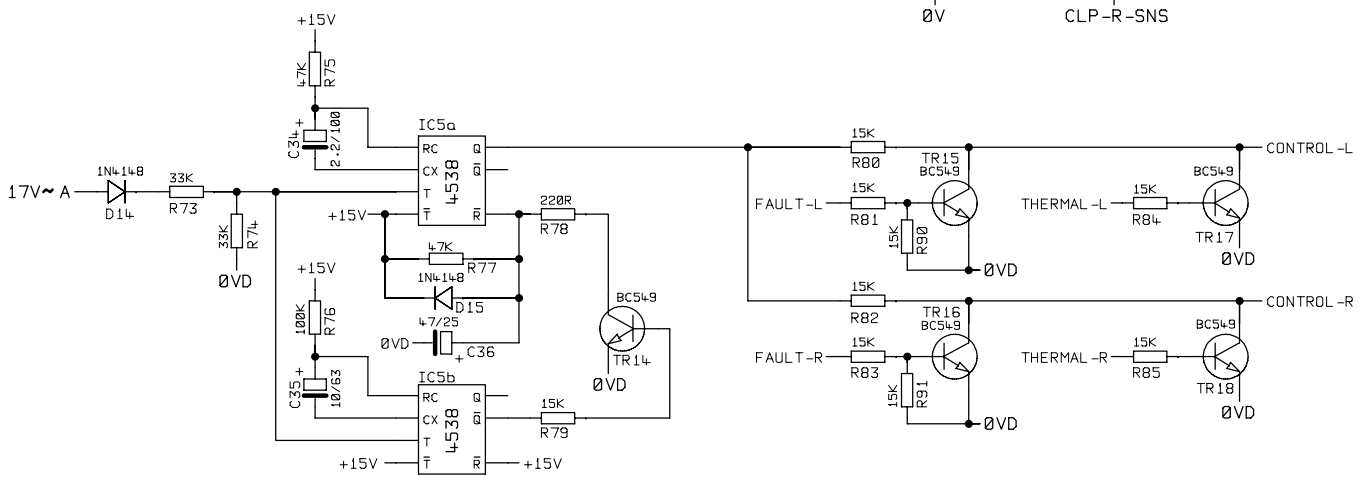
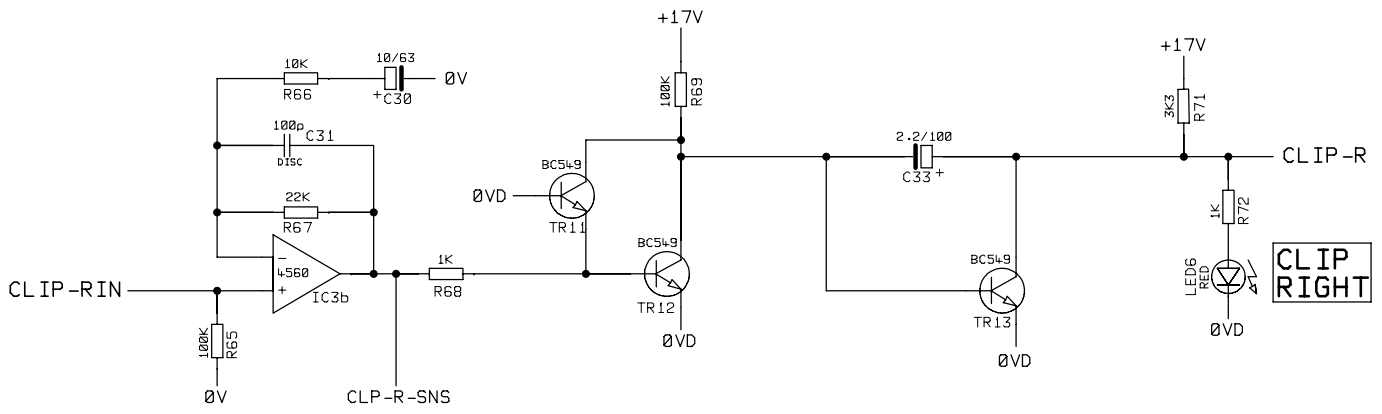
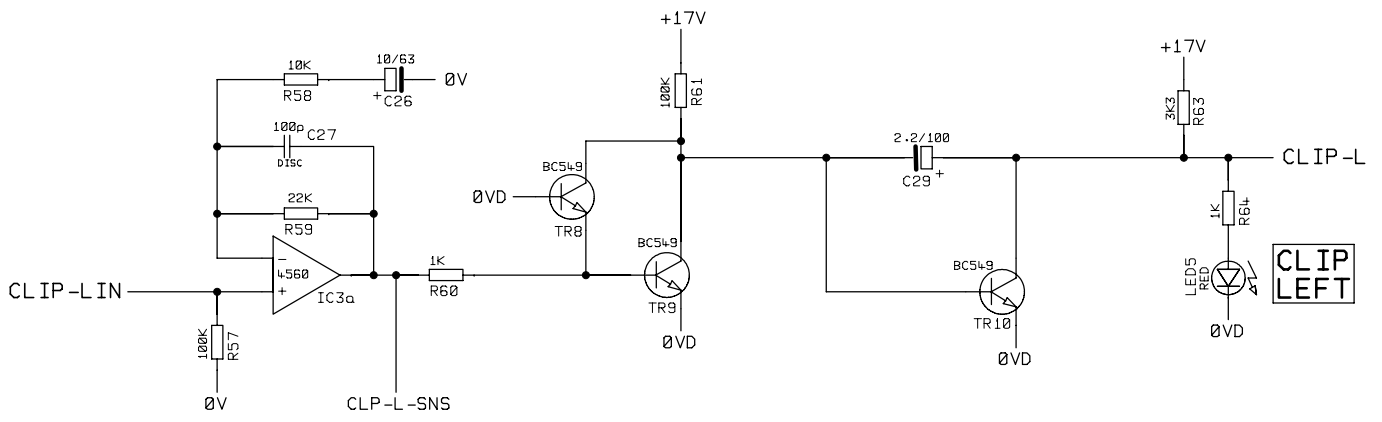
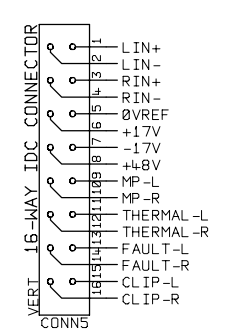
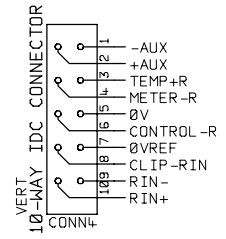
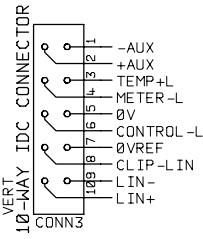
ISSUE No
R2C1C-4



TO LEFT AMP

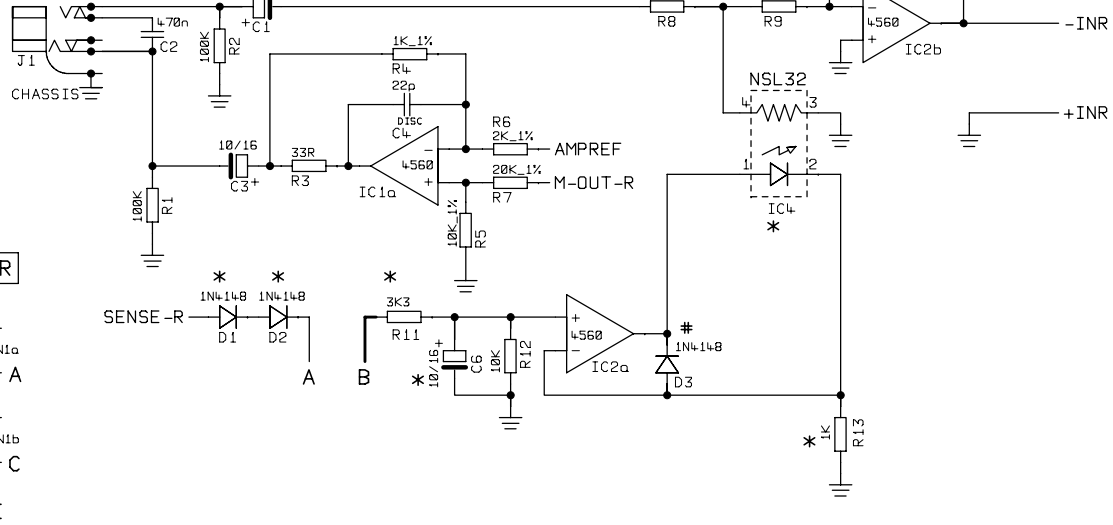
TO RIGHT AMP

TO IN-OUT BOARD

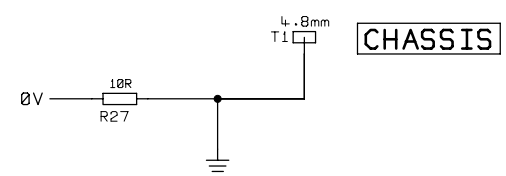
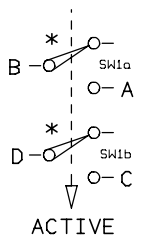


STUDIOMASTER DIAMOND LTD		TITLE	AMPLIFIER PSU CIRCUIT		FILE NAME	R2C1D-4.DGM	
PRODUCT	FOCUS, VISION, 700D	PART 2 OF 2			ISSUE No	R2C1D-4	
VERSIONS	ALL	900E	DRN BY	P.B.	DATE	03-06-99	

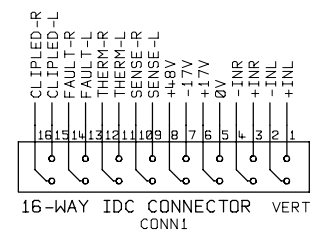
RIGHT INSERT



LIMITER

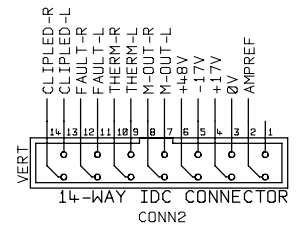
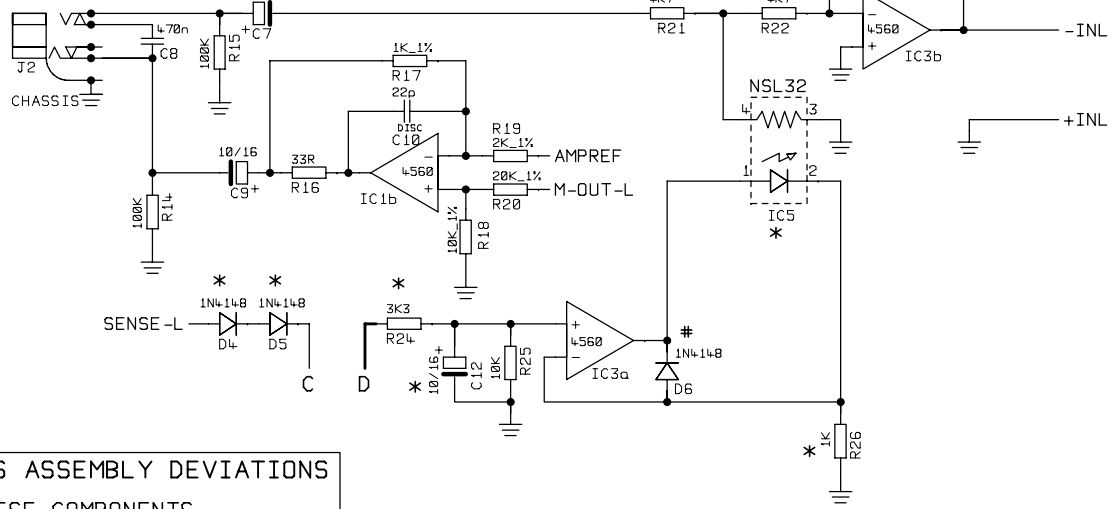


CHASSIS

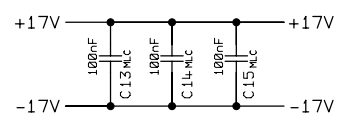


FROM PSU PCB

LEFT INSERT



TO MIXER



POWERHOUSE FOCUS ASSEMBLY DEVIATIONS
 * = DO NOT FIT THESE COMPONENTS
 # = D3 & D6 FIT LINK IN THESE POSITIONS

NOTE :

FOCUS / VISION 700		HORIZON 1200	
R10 R23	51K	68K	

STUDIOMASTER DIAMOND LTD

TITLE INSERT PCB CIRCUIT

FILE NAME **R8C3-2.DGM**
 ISSUE No

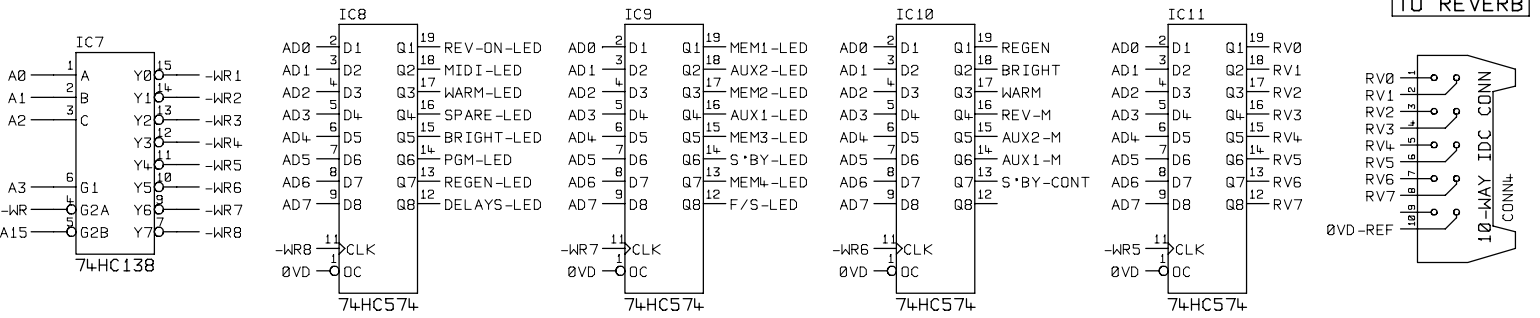
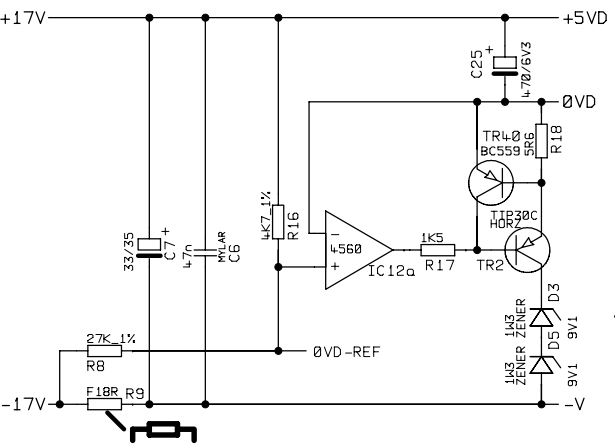
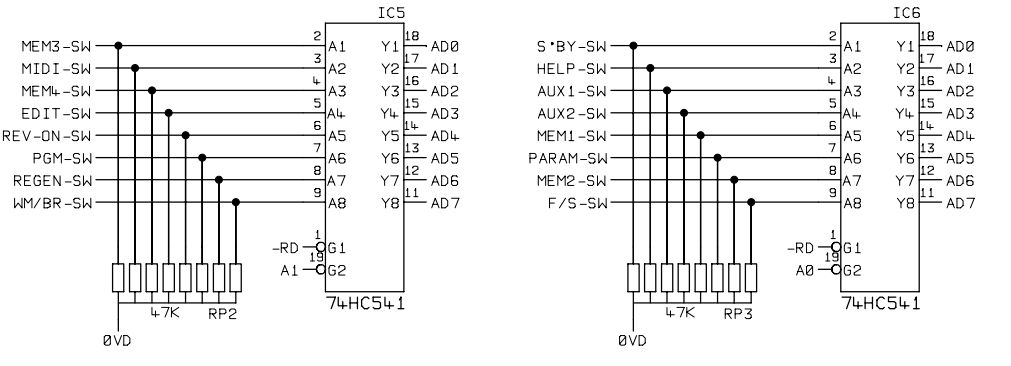
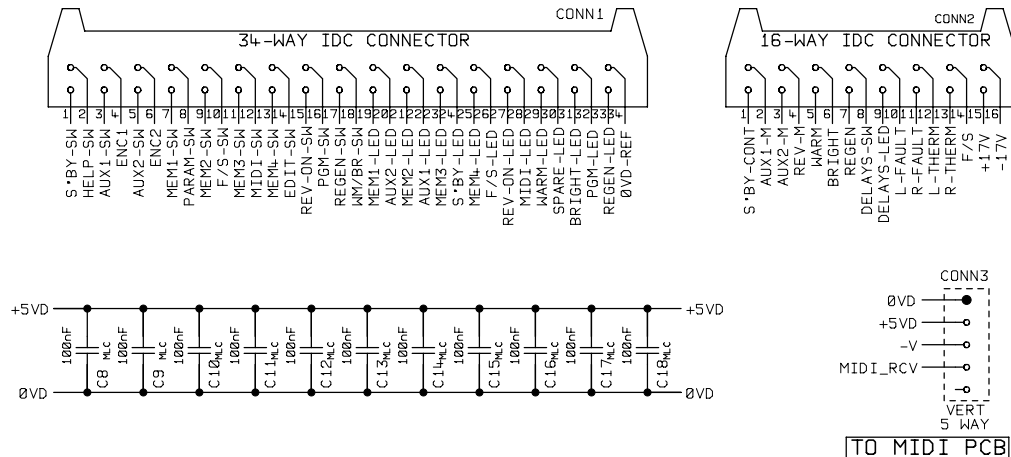
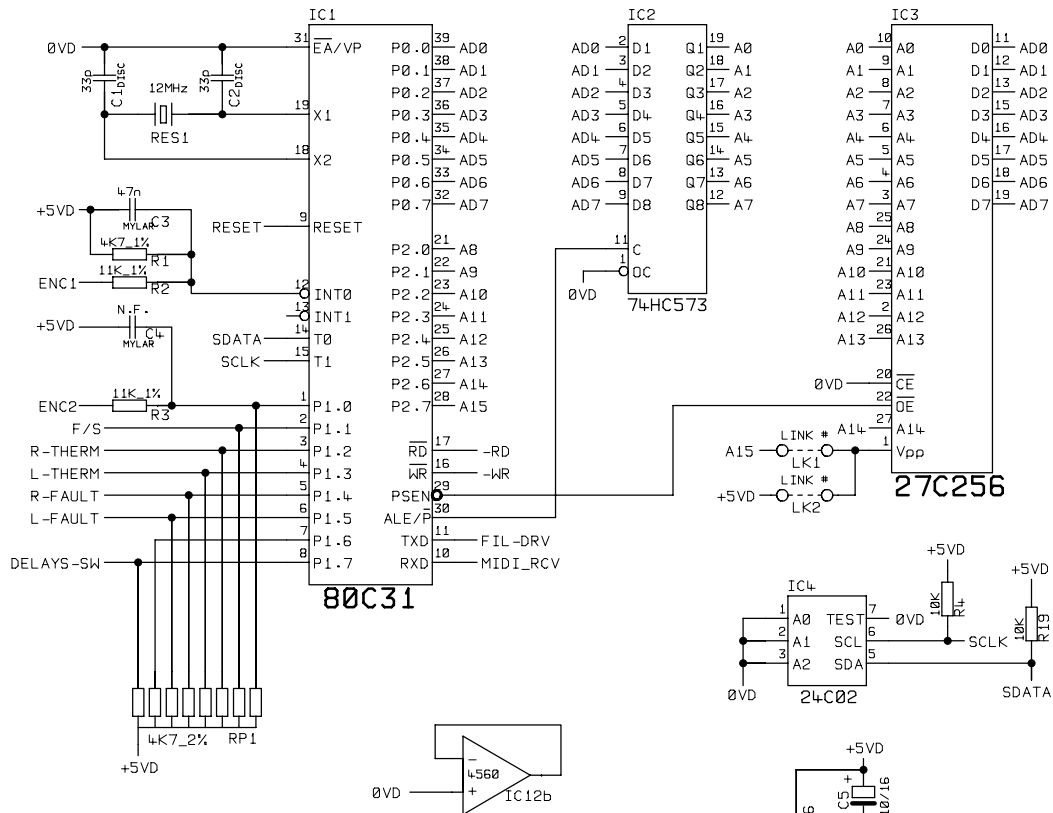
PRODUCT POWERHOUSE

PART 1 OF 1

R8C3-2

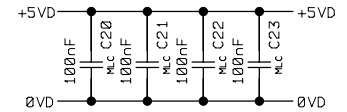
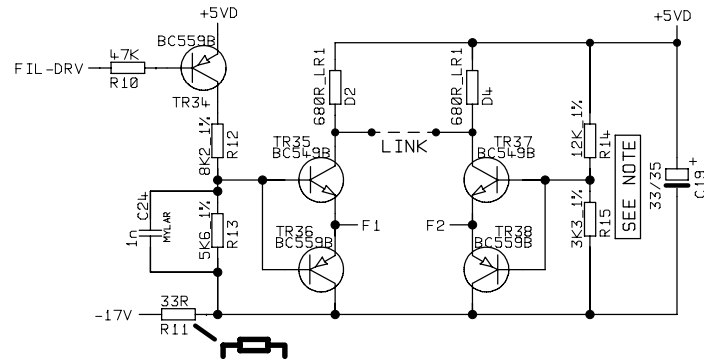
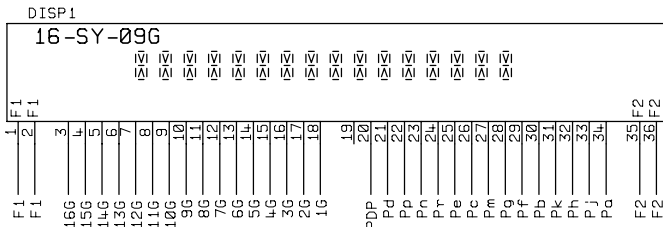
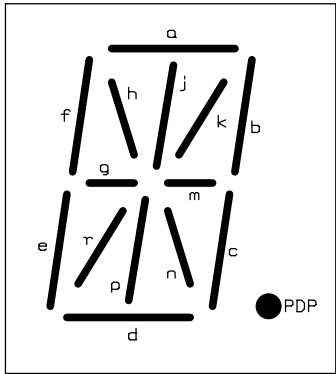
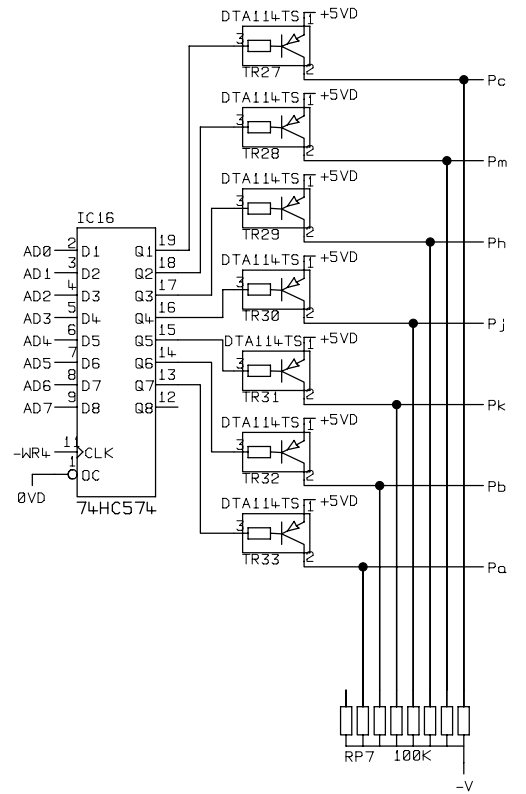
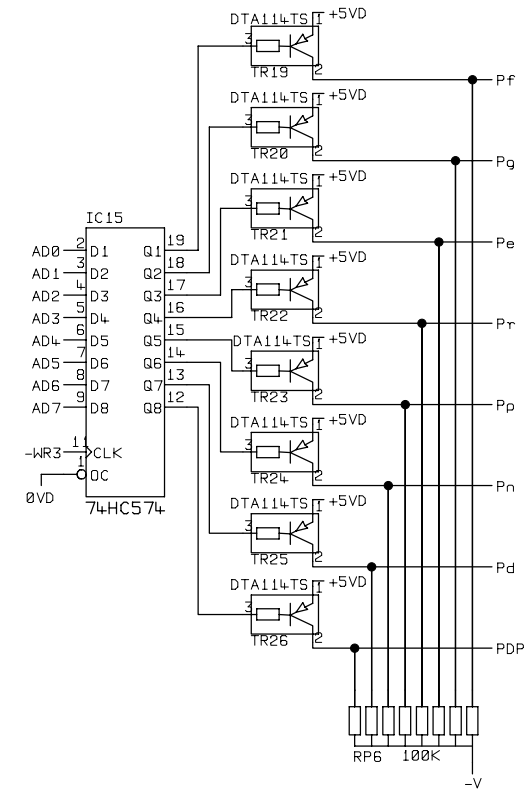
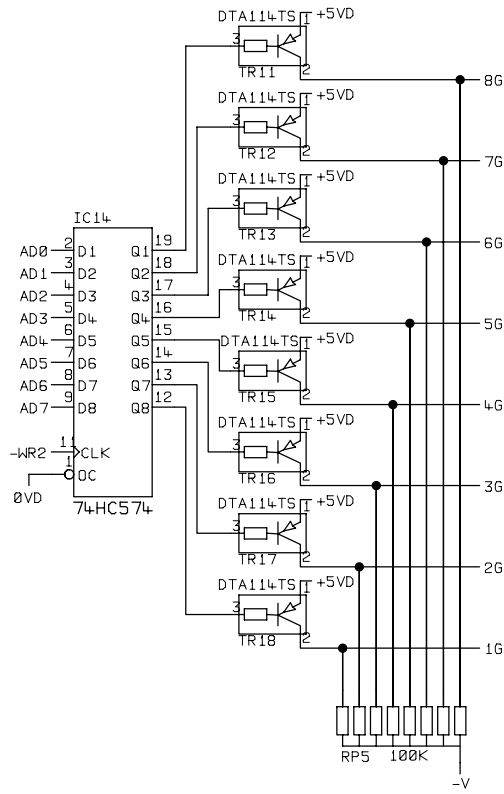
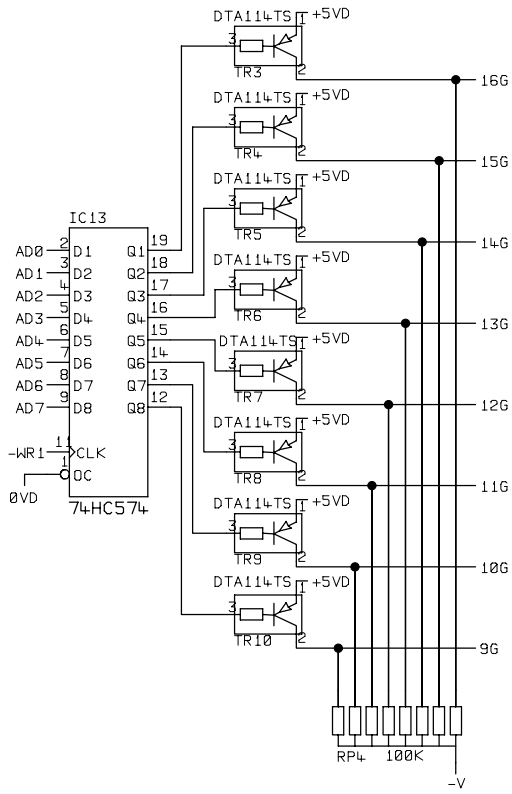
VERSIONS FOCUS/VISION700 712/HORIZON1200 1216

DRN BY P.A. DATE 12-06-98



REV A = SEE R8C7B-2 FOR DETAILS		STUDIOMASTER DIAMOND LTD		TITLE DISPLAY PROCESSOR PCB		FILE NAME R8C7A-2.DGM	
PRODUCT		POWERHOUSE VISION / HORIZON		PART 1 OF 2		ISSUE No	
VERSIONS		708 712 1208 1216		DRN BY P.A.		R8C7A-2 REV A	
				DATE		14-05-99	

= FIT COMPONENT WITH BODY 3MM OFF BOARD

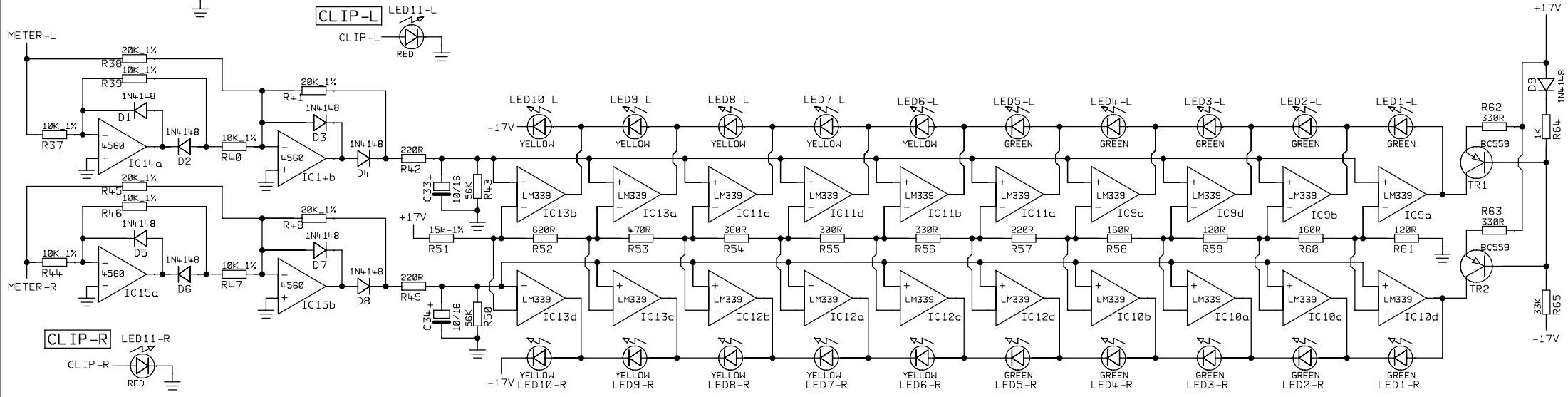
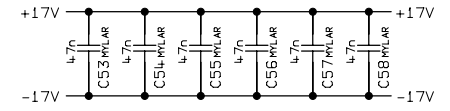
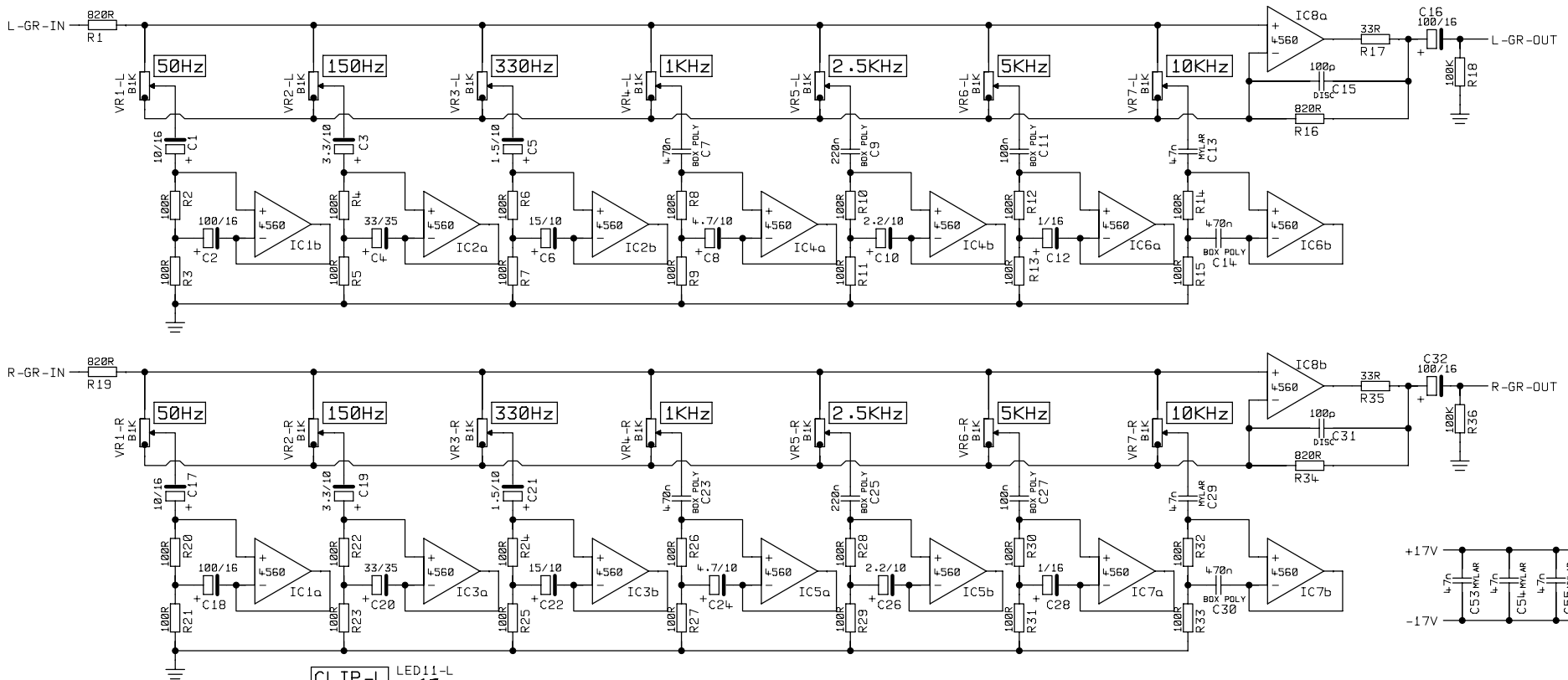


REV A = D2 & D4 CHANGED FROM 1W3 15V ZENER DIODES TO 680R LR1 or 0.5W RATED PART IN 0.25W BODY SIZE
LINK ACROSS D2 & D4

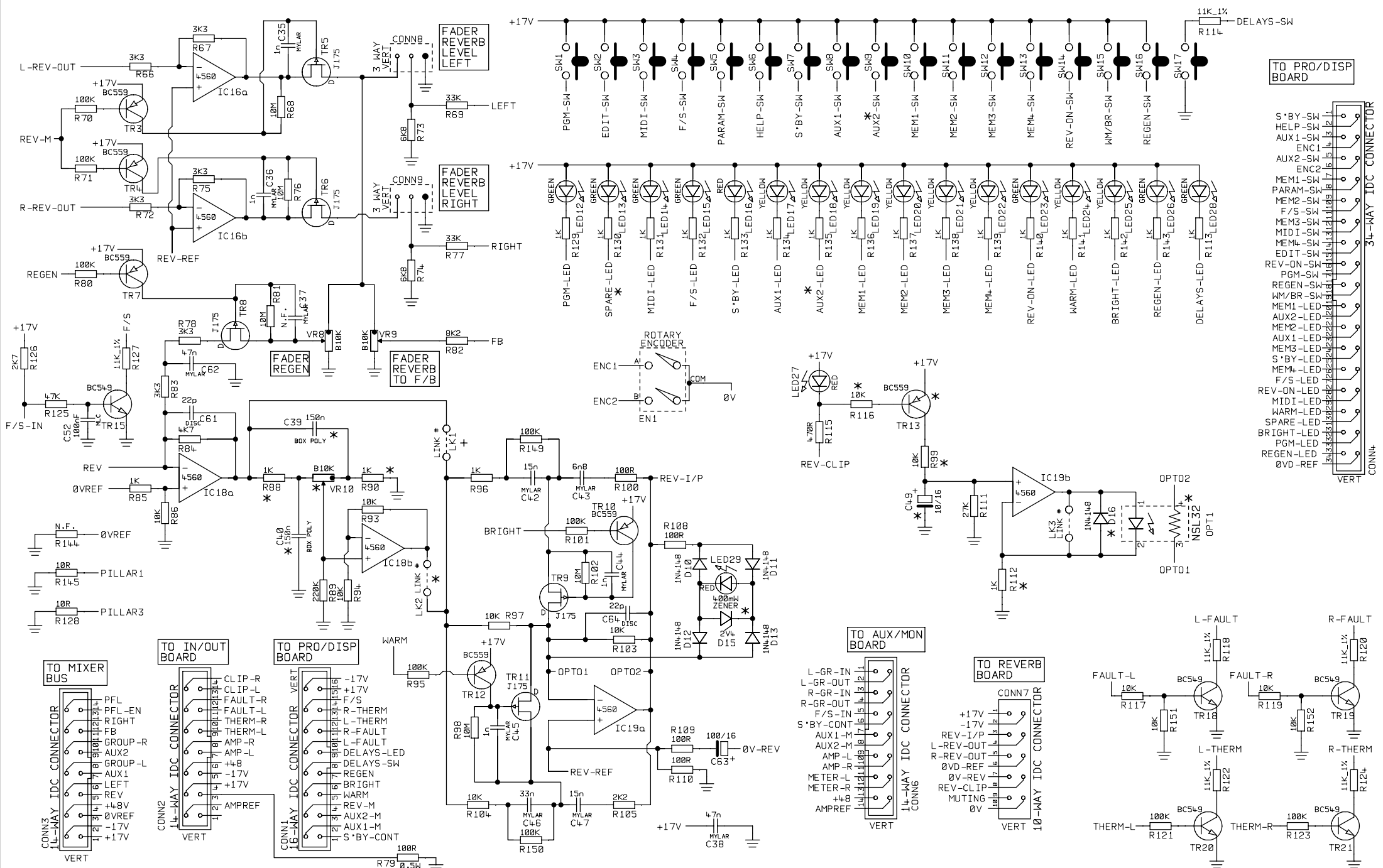
NOTE	BC54-9 AND BC559 TRANSISTOR TYPES	
	B GRADE	C GRADE
R14	12K_1%	16K_1%
R15	3K3_1%	4K3_1%

= FIT COMPONENT WITH BODY 3MM OFF BOARD

STUDIOMASTER DIAMOND LTD		TITLE	DISPLAY PROCESSOR PCB		FILE NAME	R8C7B-2.DGM		
PRODUCT	POWERHOUSE VISION/ HORIZON		PART 2 OF 2		ISSUE No	R8C7B-2		
VERSIONS	708	712	1208	1216	DRN BY	P.A.	DATE	14-05-99
							REV A	

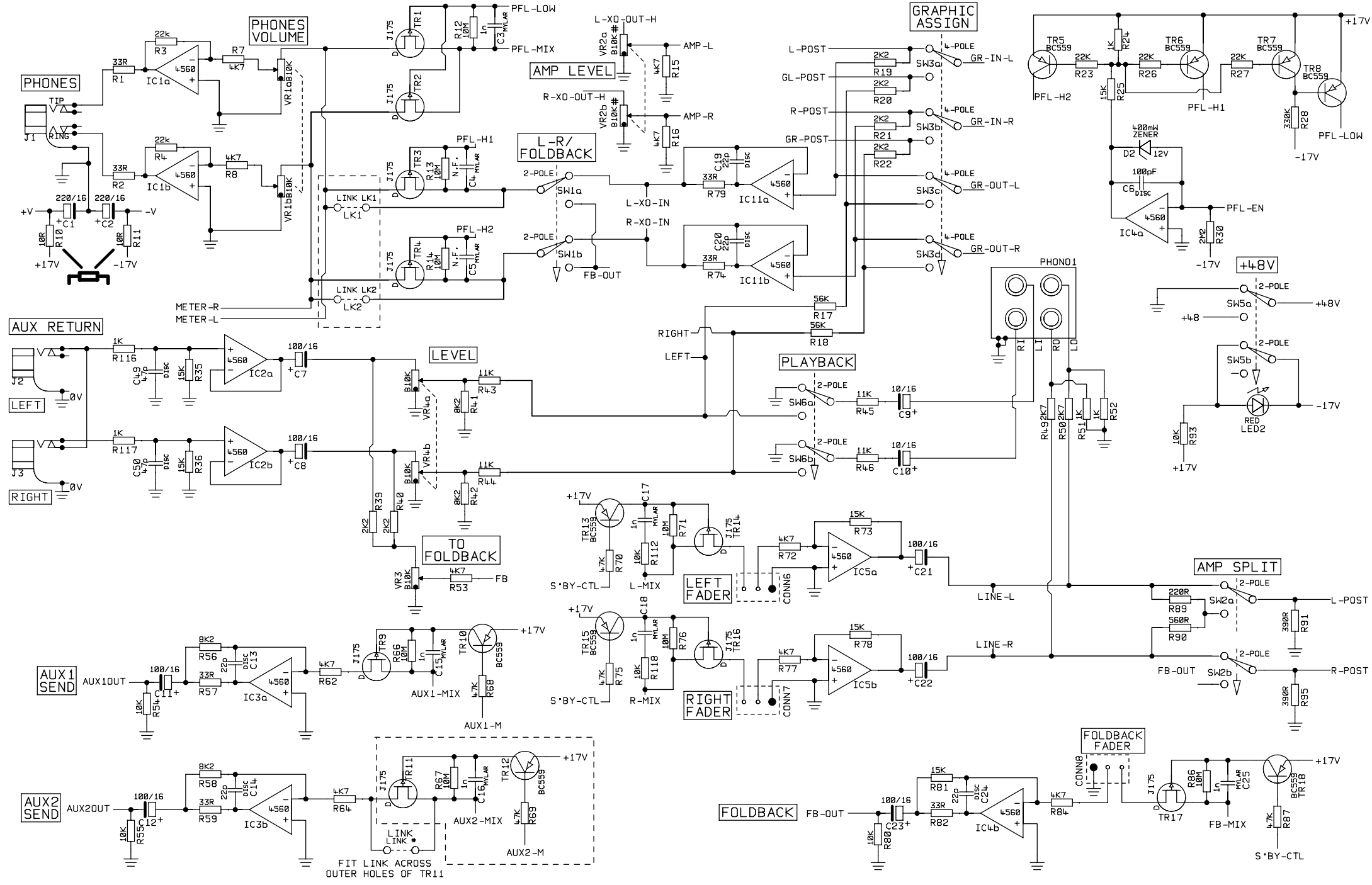


STUDIOMASTER DIAMOND LTD		TITLE CONTROL/GRAPHIC BOARD		FILE NAME R8C8A-3.DGM	
PRODUCT	POWERHOUSE VISION / HORIZON	PART 1 OF 2		ISSUE No	
VERSIONS	708 712 1208 1216	DRN BY	P.A.	DATE	03-07-97
					R8C8A-3



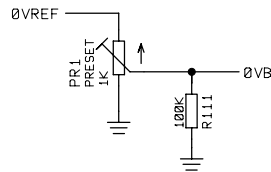
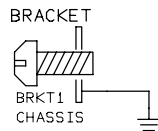
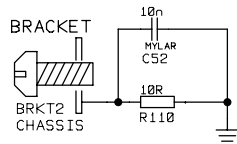
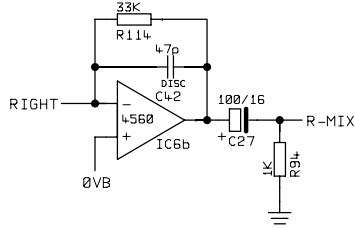
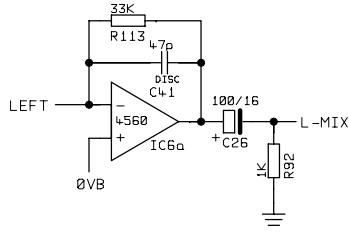
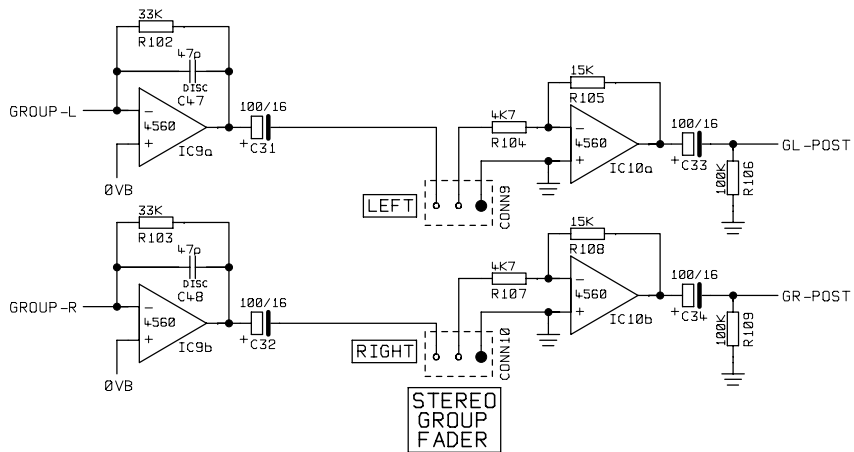
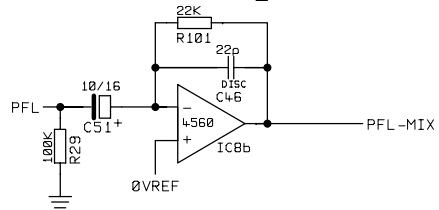
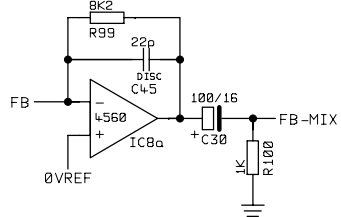
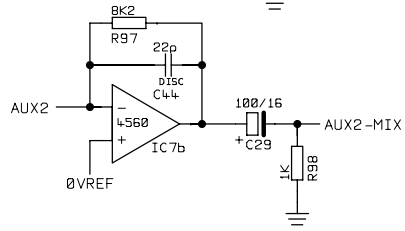
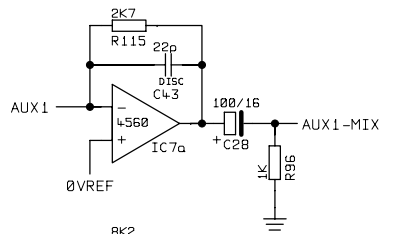
* = NOT FITTED COMPONENTS

STUDIOMASTER DIAMOND LTD		TITLE CONTROL/GRAPHIC BOARD		FILE NAME R8C8B-3.DGM	
PRODUCT	POWERHOUSE VISION / HORIZON	PART 2 OF 2		ISSUE No	
VERSIONS	708 712 1208 1216	DRN BY	P.A.	DATE	15-09-97
				R8C8B-3 REV A	

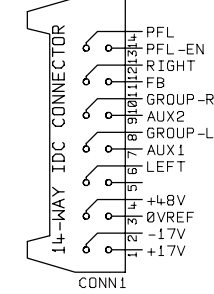


VR2 ON SINGLE VOLTAGE MODELS IS B1K
 NOTE : ITEMS IN DOTTED ARE NOT FITTED
 = FIT COMPONENT WITH BODY 3MM OFF BOARD

STUDIOMASTER DIAMOND LTD		TITLE		AUX BOARD		FILE NAME	
POWERHOUSE VISION / HORIZON		PART 1 OF 2				R8C9A-2.DGM	
VERSIONS		DRN BY		DATE		ISSUE No	
708	712	1208	P.A.	04-12-97	R8C9A-2		REV2

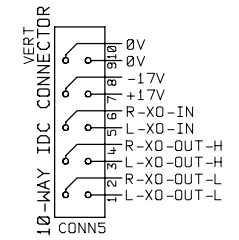


TO MIXER BUS

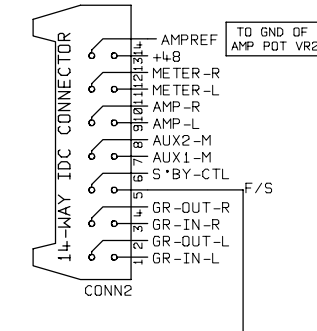


OPTIONAL CROSSOVER BOARD CONNECTIONS

TO XOVER BOARD

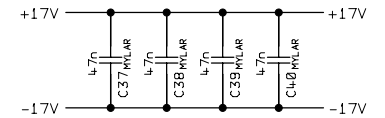
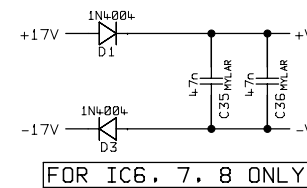
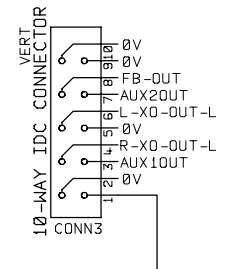


TO CONTROL /GRAPHIC



REAR PANEL CONNECTOR BOARD

TO CONNECTOR BOARD



STUDIOMASTER DIAMOND LTD

TITLE

AUX BOARD

FILE NAME
R8C9B-2.DGM

PRODUCT

POWERHOUSE VISION/ HORIZON

PART 2 OF 2

ISSUE No

R8C9B-2

VERSIONS

708 712 1208 1216

DRN BY

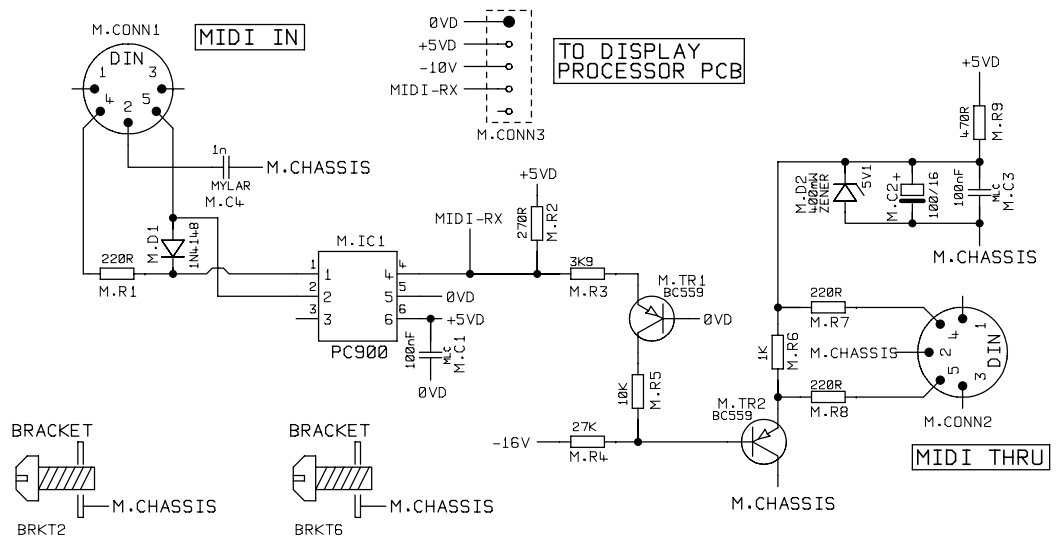
P.A.

DATE

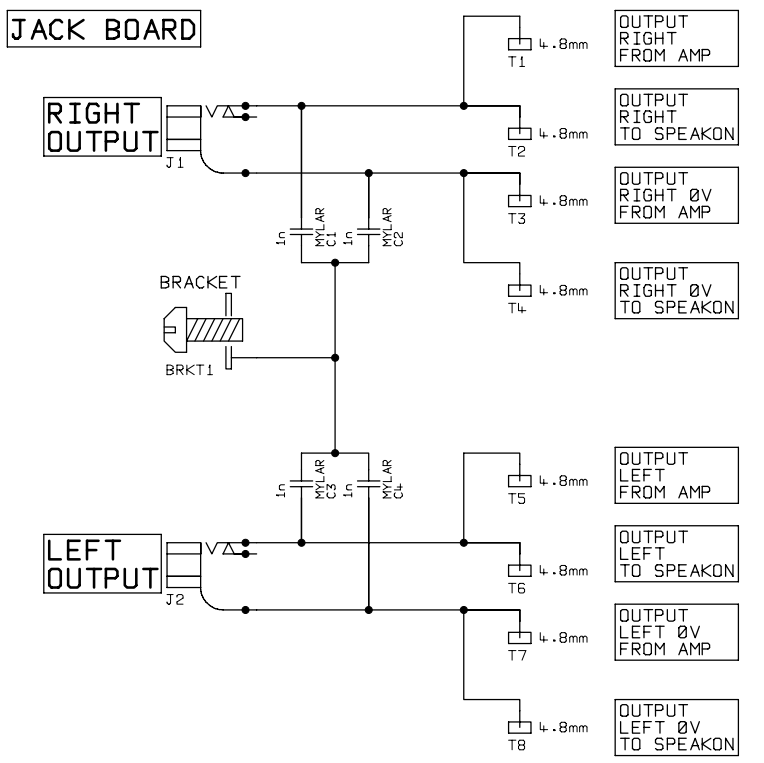
07-10-97

REV1

NOT FITTED ON FOCUS VERSIONS



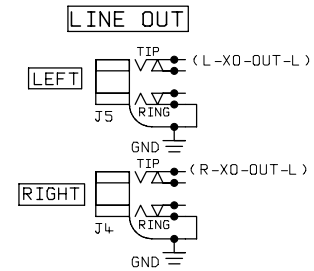
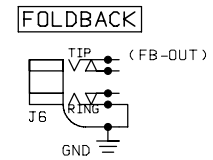
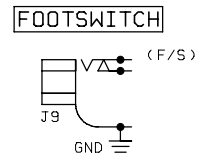
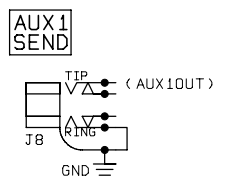
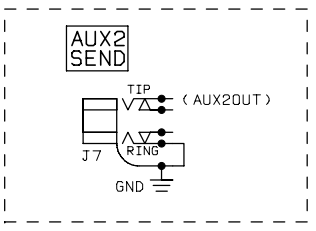
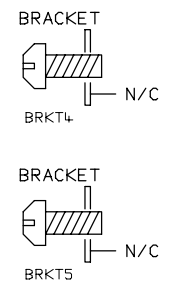
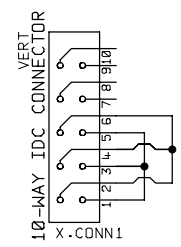
NOT FITTED ON HORIZON 1208/1216 VERSIONS



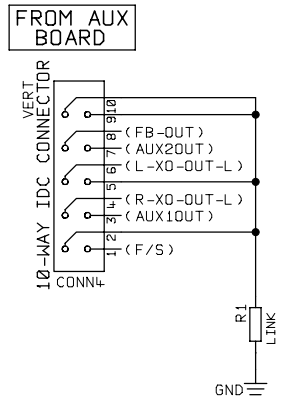
NOT FITTED ON FOCUS VERSIONS

OPTIONAL CROSSOVER BOARD CONNECTIONS

STANDARD BY-PASS BOARD

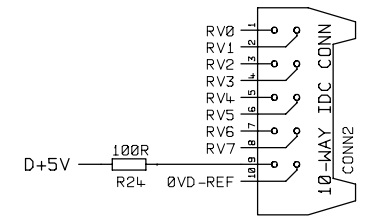
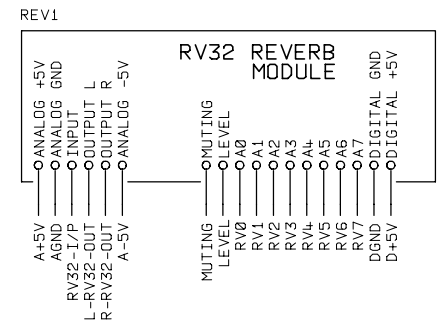
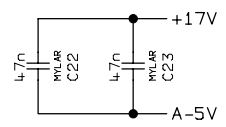
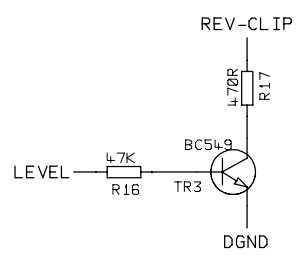
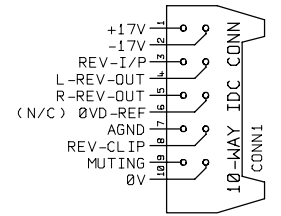
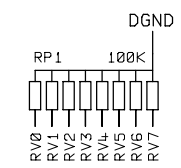
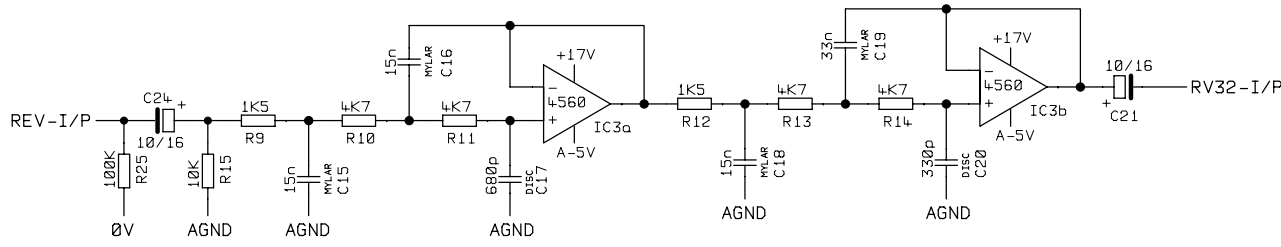
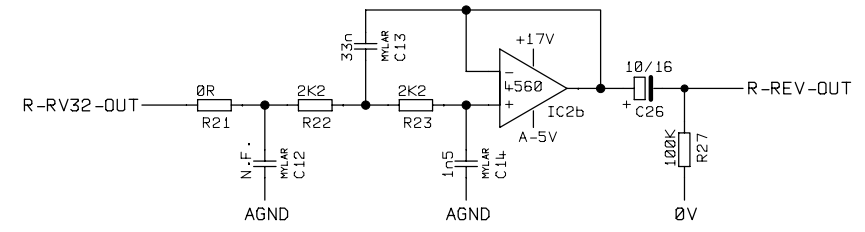
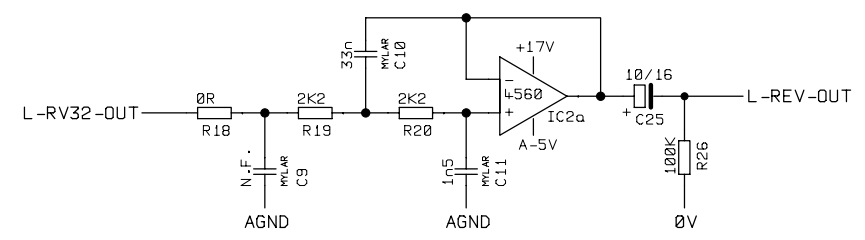
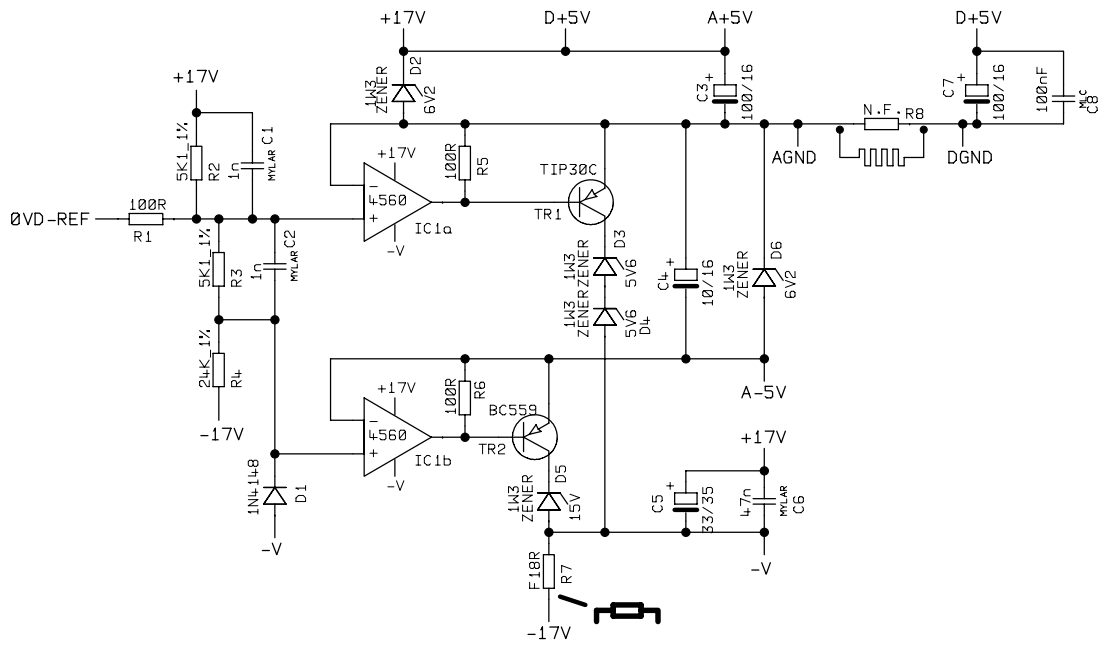


REAR PANEL CONNECTOR BOARD



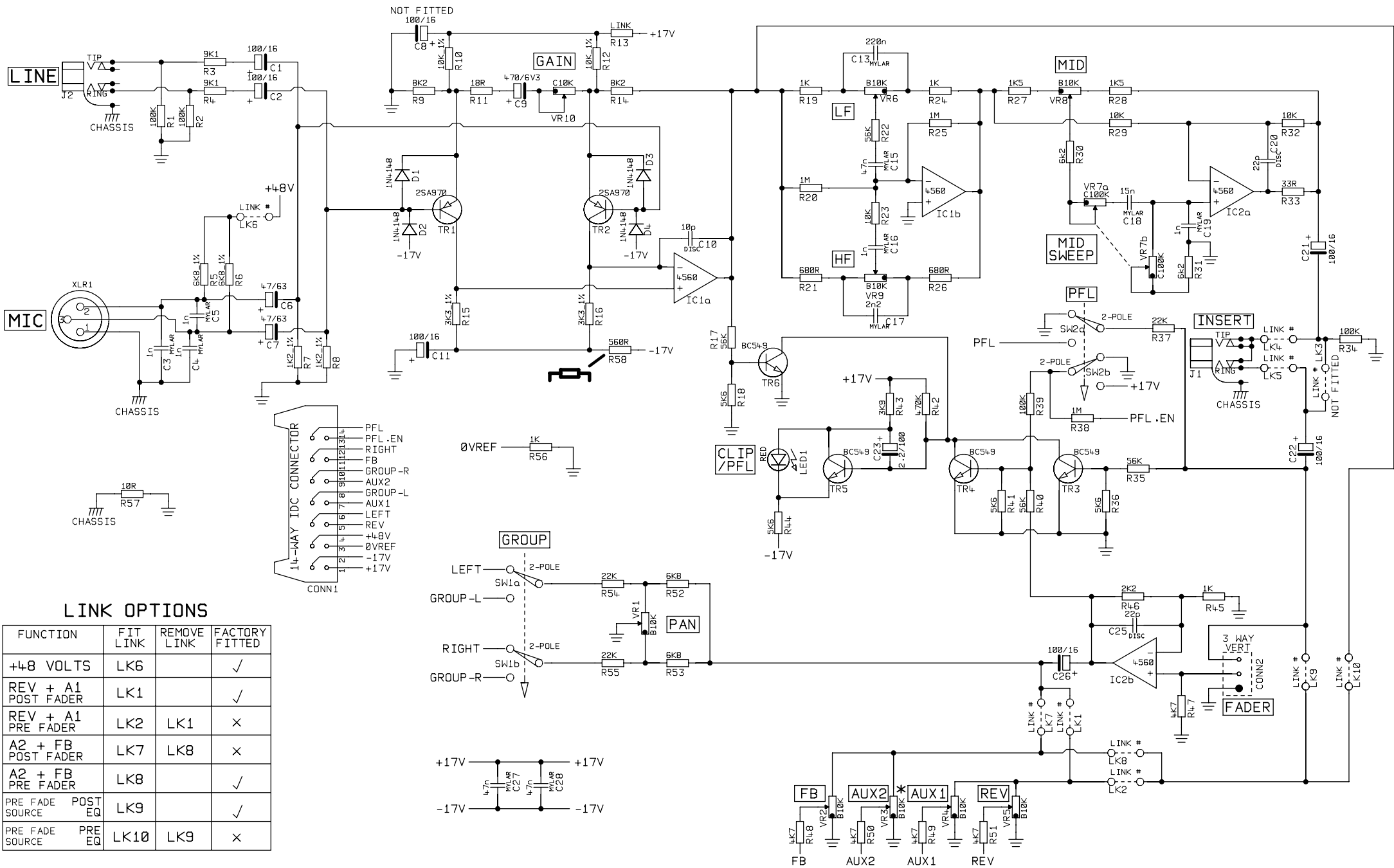
NOTE: CIRCUIT IN DOTTED LINES HORIZON 1208 / 1216 VERSIONS ONLY

STUDIOMASTER DIAMOND LTD		TITLE	MIDI/XOVER/AUX CONN BOARD / JACK OUTPUT BOARD		FILE NAME	R8C10-2.DGM
PRODUCT	POWERHOUSE	PART 1 OF 1			ISSUE No	R8C10-2
VERSIONS	FOCUS/VISION708 712/HORIZON1208 1216	DRN BY	P.A.	DATE	08-04-98	REV A



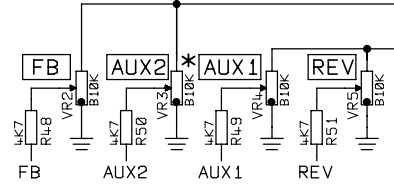
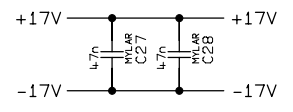
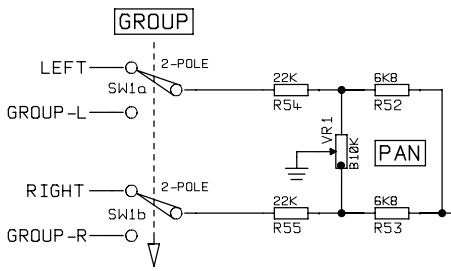
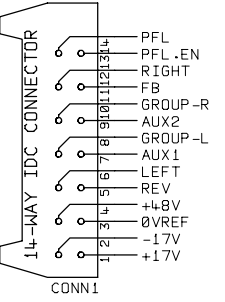
= FIT COMPONENT WITH BODY 3MM OFF BOARD

STUDIOMASTER DIAMOND LTD		TITLE	REVERB INTERFACE PCB		FILE NAME	R8C18-3.DGM	
PRODUCT	POWERHOUSE VISION/ HORIZON	PART 1 OF 1			ISSUE No		
VERSIONS	708 712 1208 1216	DRN BY	P.A.	DATE	01-07-97		
					R8C18-3		



LINK OPTIONS

FUNCTION	FIT LINK	REMOVE LINK	FACTORY FITTED
+48 VOLTS	LK6		✓
REV + A1 POST FADER	LK1		✓
REV + A1 PRE FADER	LK2	LK1	✗
A2 + FB POST FADER	LK7	LK8	✗
A2 + FB PRE FADER	LK8		✓
PRE FADE POST SOURCE EQ	LK9		✓
PRE FADE PRE SOURCE EQ	LK10	LK9	✗



NOTE : COMPONENTS MARKED * = FITTED ON HORIZON 1208 / 1216 ONLY

STUDIOMASTER DIAMOND LTD		TITLE	MONO INPUT CIRCUIT		FILE NAME
POWERHOUSE VISION / HORIZON		PART 1 OF 1		R1C4-4.DGM	
PRODUCT	708 712 1208 1216	DRN BY	P.A.	DATE	22-07-97
					ISSUE No
					R1C4-4

= FIT COMPONENT WITH BODY 3MM OFF BOARD