

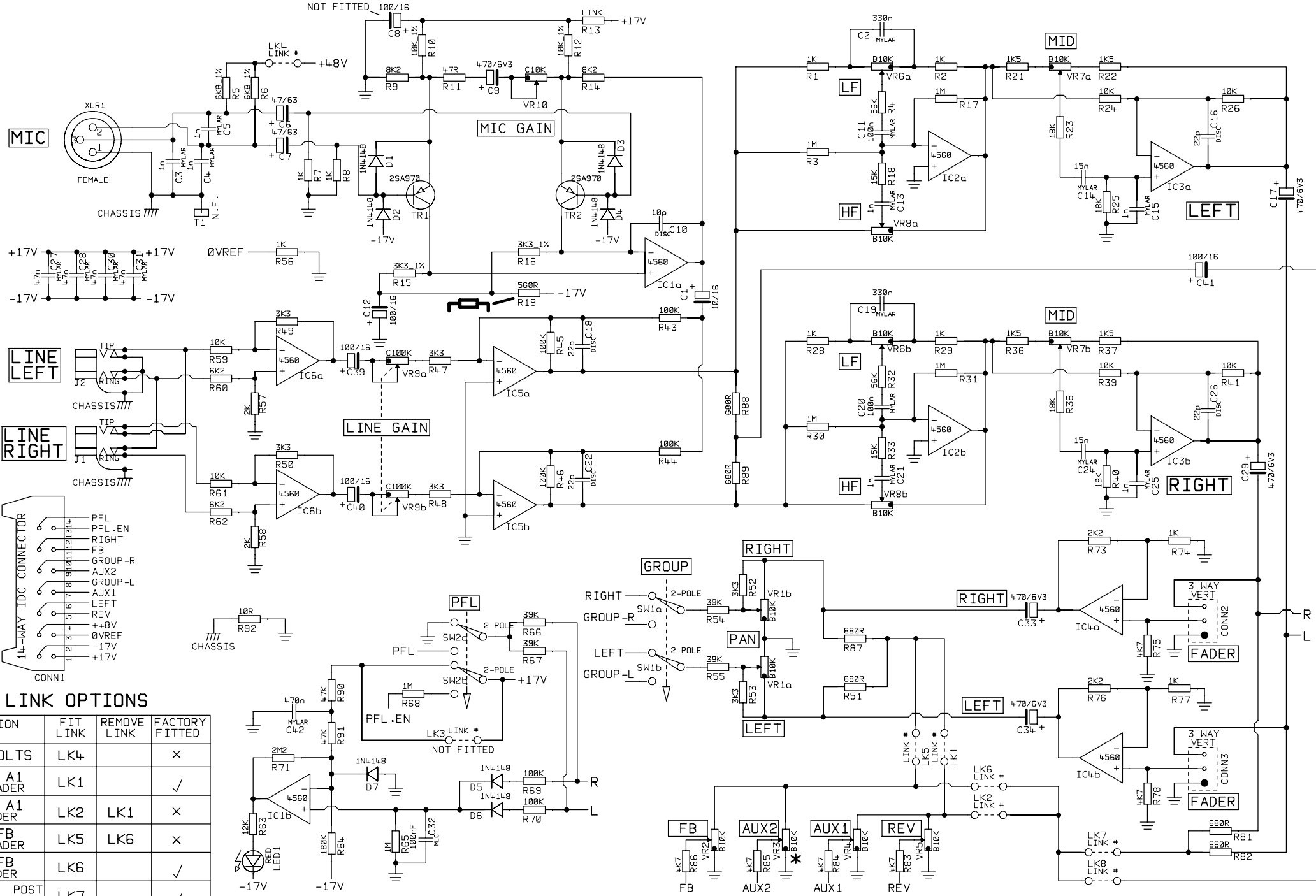
NOTE: VOLTAGES MEASURED AT 230V A.C. SUPPLY

REV3 = R47 & R50 CHANGED FROM 220R 5% TO 220R 5% FUSIBLE
 R4 CHANGED FROM 1K2 5% TO 1K5 5%

REV4 = R45, R48 33k 5% REMOVED
 R46, R49 CHANGED FROM 5K6 TO 2K7 5%

REV5 = 900E ADDED TO RANGE, R46 & R49 CHANGED FROM 2K7 TO 15K
 R47 & R50 CHANGED FROM F220R TO F1K (FUSIBLE),
 R35, R36, R37, R38 CHANGED FROM 0R22 ROX35 TO 0R18 ROX35

STUDIOMASTER DIAMOND LTD		TITLE		AMPLIFIER AMP CIRCUIT		FILE NAME		R1C5-4.DGM	
PRODUCT		700D 900E PHV PHF		PART 1 OF 1		ISSUE No		R1C5-4	
VERSIONS		ALL MODELS		DRN BY		P.A.		DATE	
								06-09-99	
								REV5	



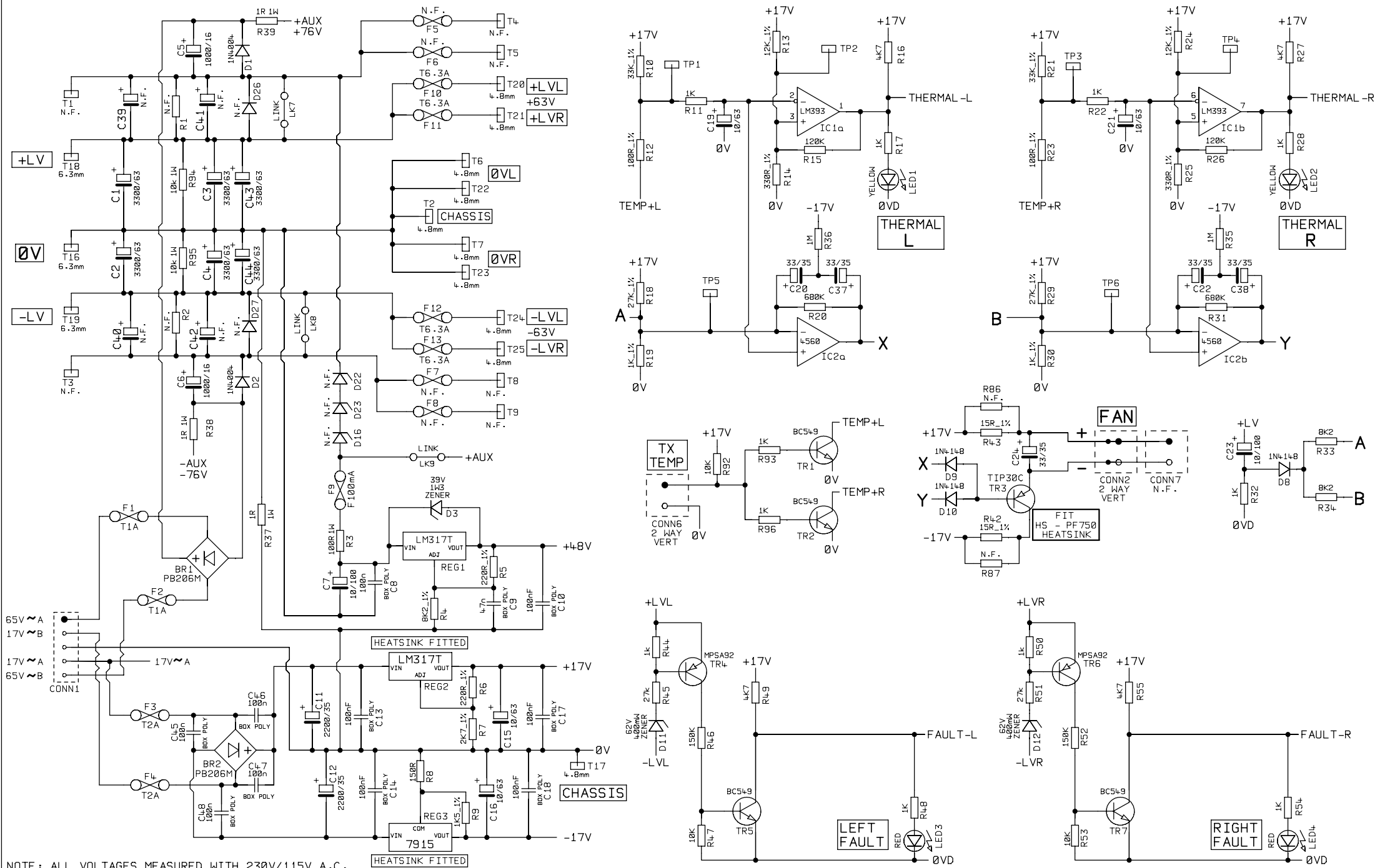
LINK OPTIONS

FUNCTION	FIT LINK	REMOVE LINK	FACTORY FITTED
+4.8 VOLTS	LK4		X
REV + A1 POST FADER	LK1		✓
REV + A1 PRE FADER	LK2	LK1	X
A2 + FB POST FADER	LK5	LK6	X
A2 + FB PRE FADER	LK6		✓
PRE FADE POST SOURCE EQ	LK7		✓
PRE FADE PRE SOURCE EQ	LK8	LK7	X

NOTE : COMPONENTS MARKED * = FITTED ON HORIZON 1208 / 1216 ONLY

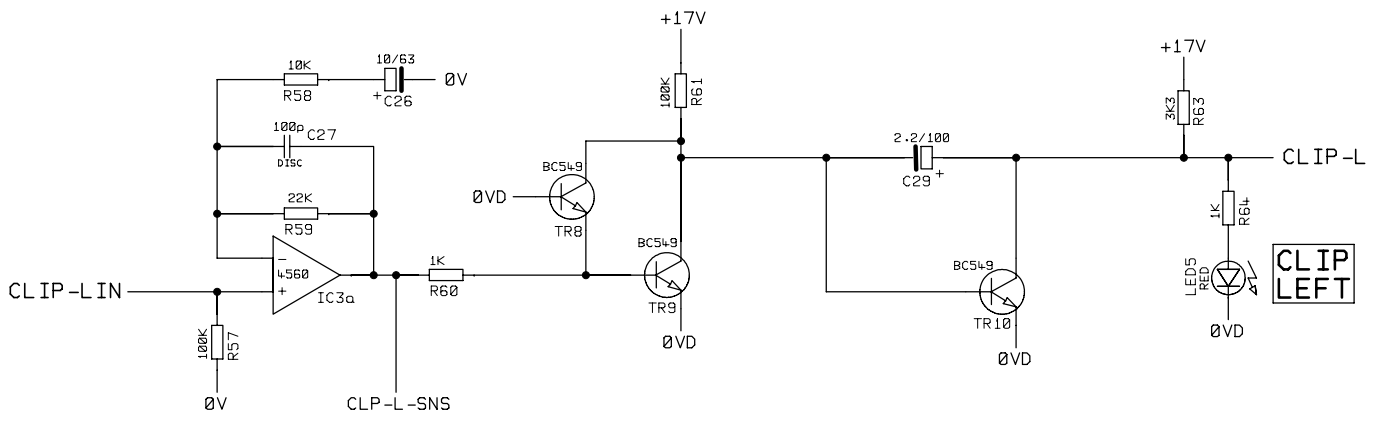
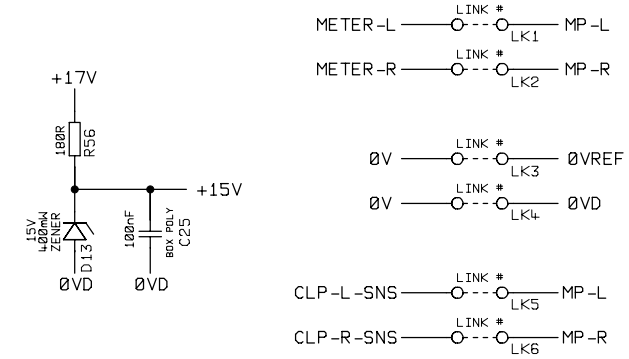
= FIT COMPONENT WITH BODY 3MM OFF BOARD

STUDIOMASTER DIAMOND LTD				TITLE		STEREO INPUT CIRCUIT		FILE NAME	
PRODUCT				POWERHOUSE VISION / HORIZON		PART 1 OF 1		R1C6-3.DGM	
VERSIONS				708	712	1208	1216	ISSUE No	
				DRN BY		P.A.	DATE		22-07-97
								R1C6-3	



NOTE: ALL VOLTAGES MEASURED WITH 230V/115V A.C.

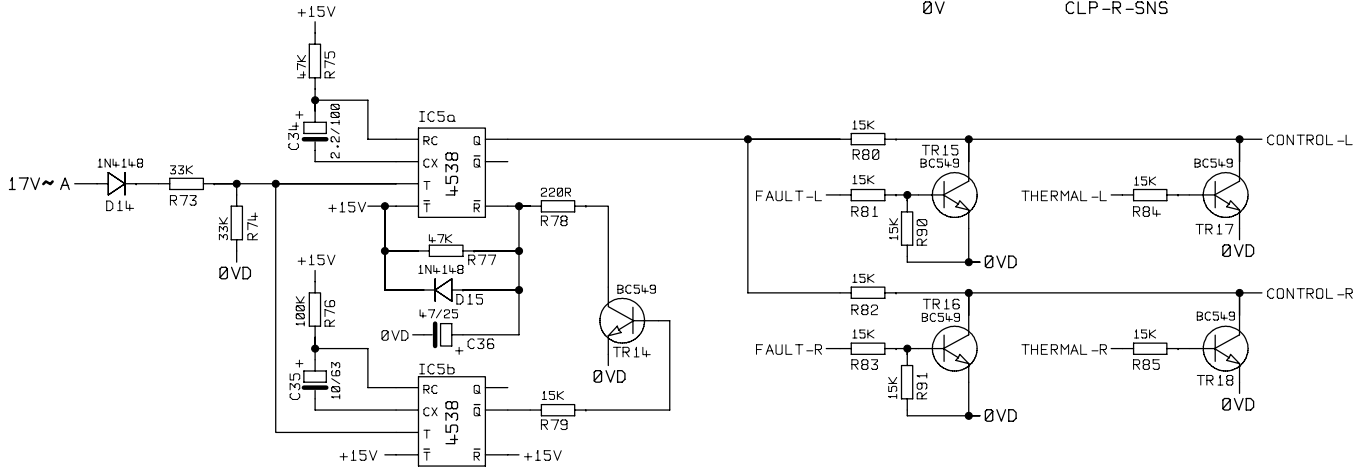
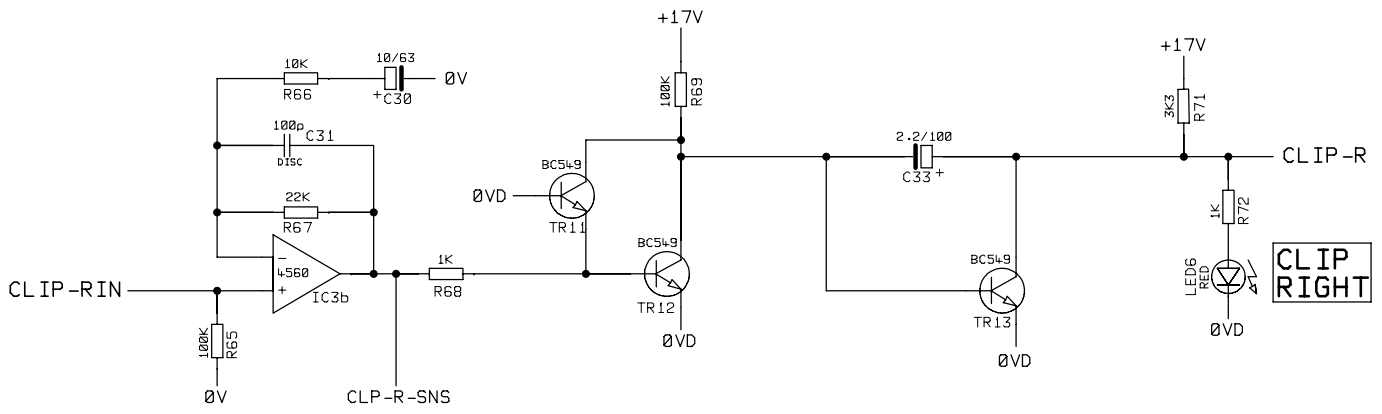
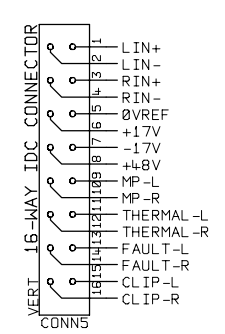
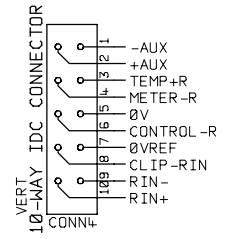
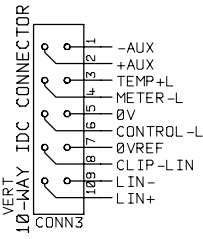
STUDIOMASTER DIAMOND LTD		TITLE	AMPLIFIER PSU CIRCUIT		FILE NAME
PRODUCT	VISION. FOCUS. 700D	PART 1 OF 2			R2C1C-4.DGM
VERSIONS	ALL	900E	DRN BY	P.B.	DATE
					09-06-99
					ISSUE No
					R2C1C-4



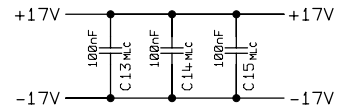
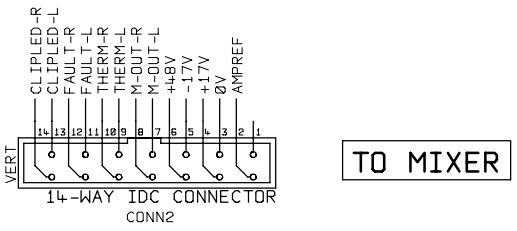
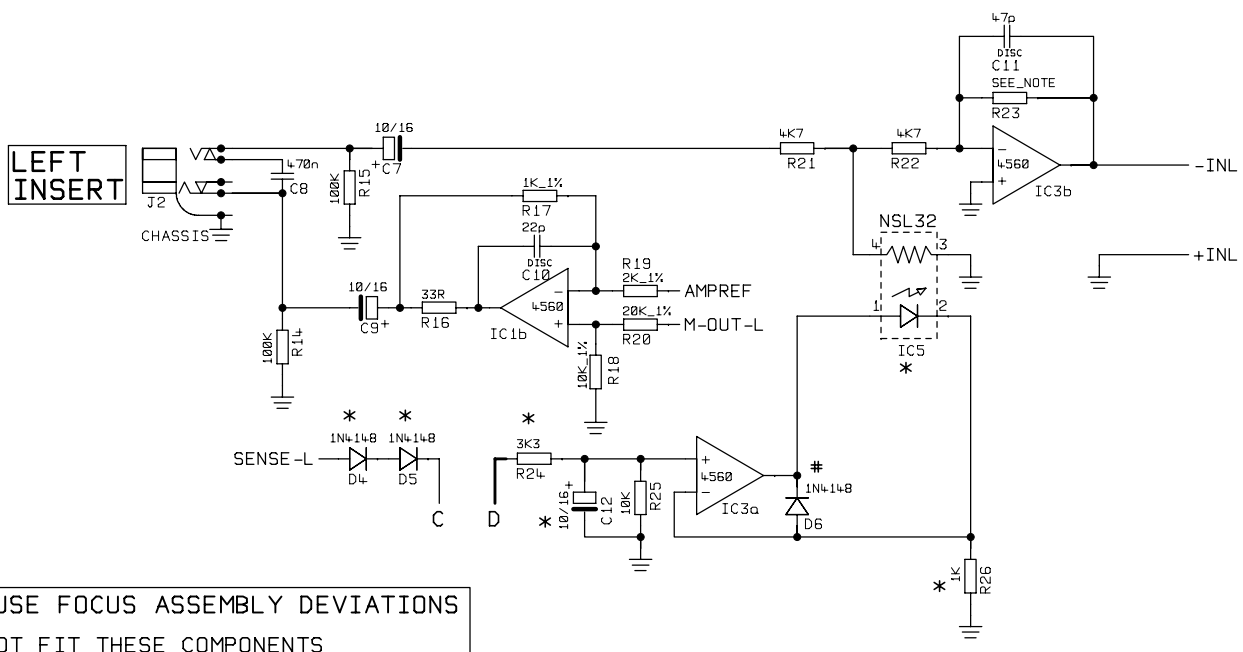
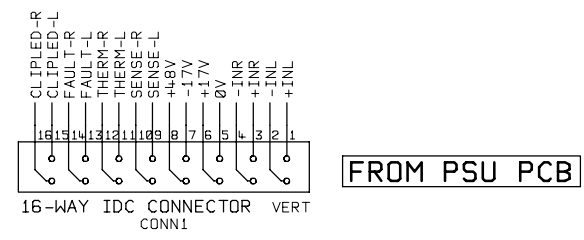
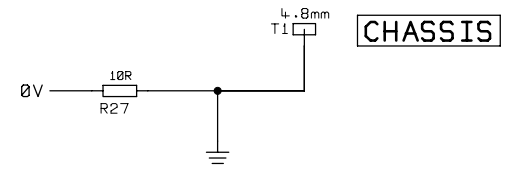
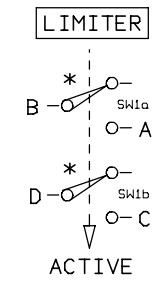
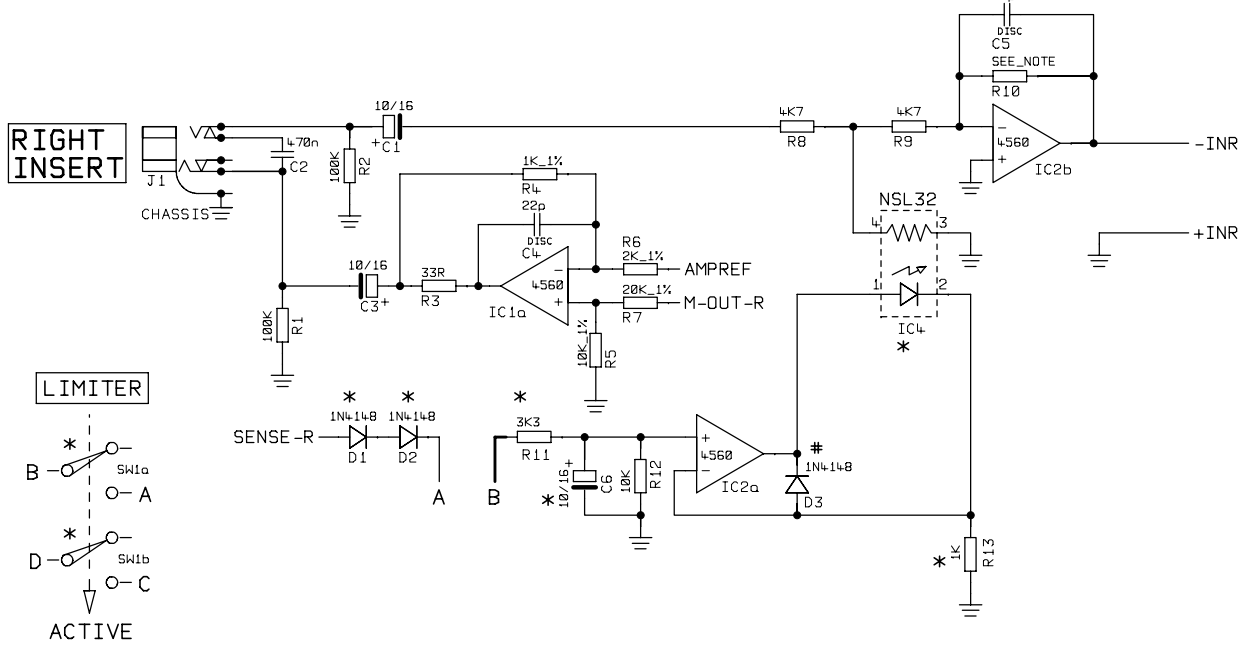
TO LEFT AMP

TO RIGHT AMP

TO IN-OUT BOARD

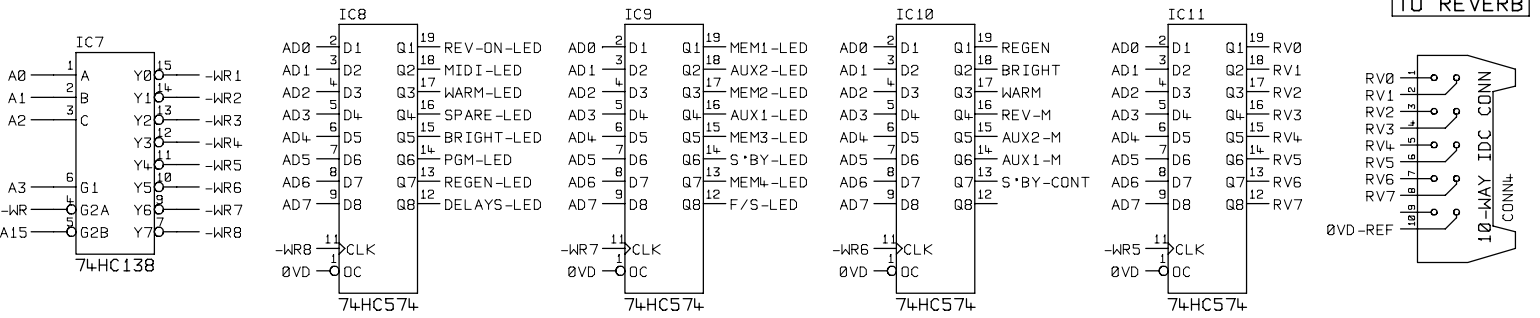
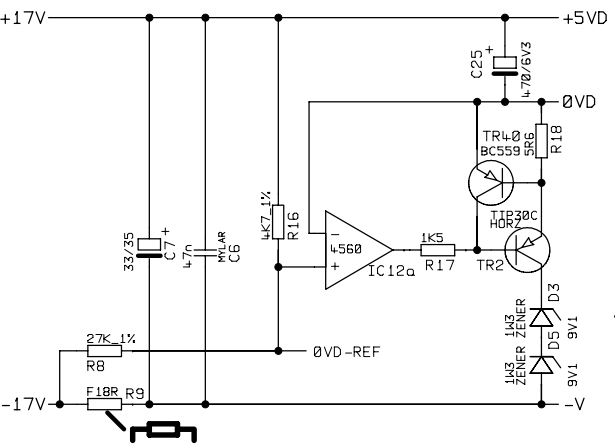
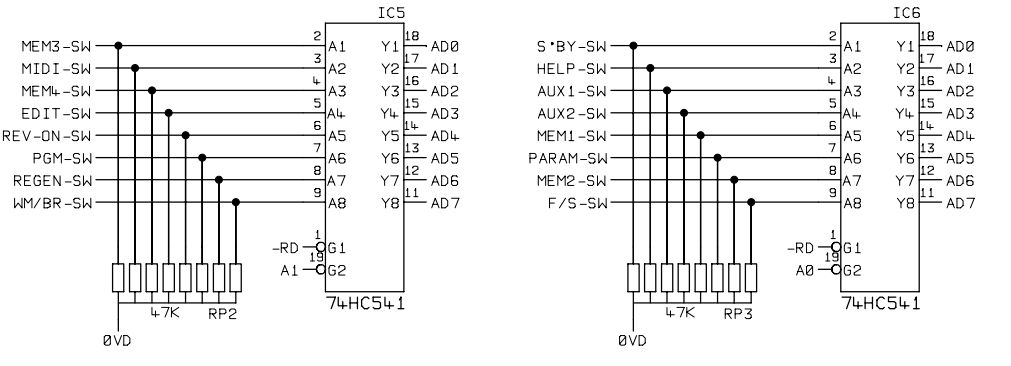
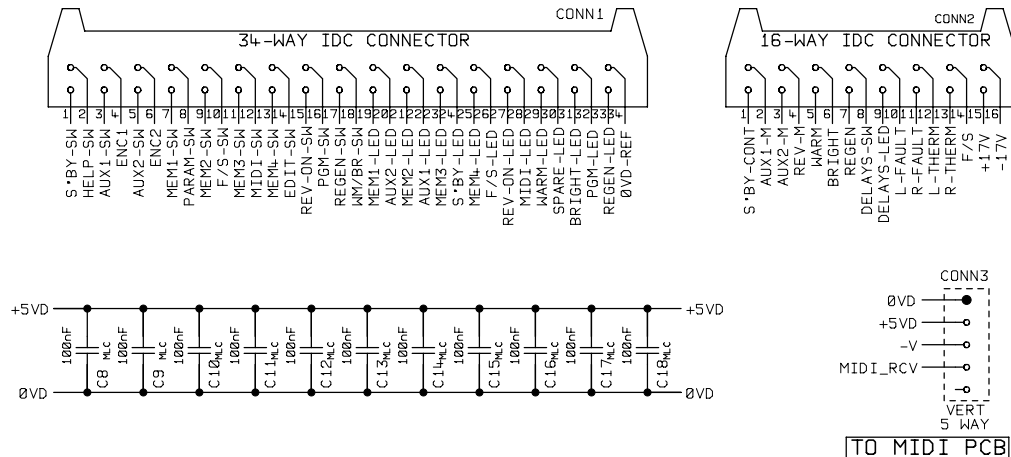
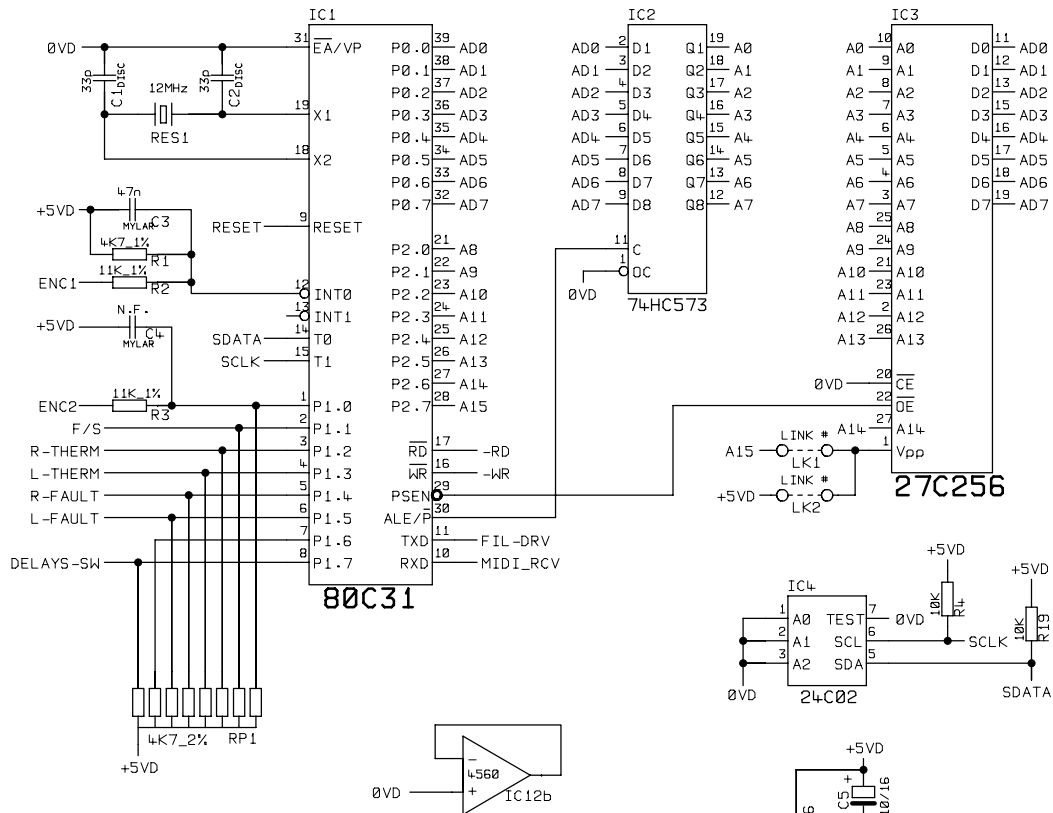


STUDIOMASTER DIAMOND LTD		TITLE	AMPLIFIER PSU CIRCUIT		FILE NAME	R2C1D-4.DGM	
PRODUCT	FOCUS, VISION, 700D	PART 2 OF 2			ISSUE No	R2C1D-4	
VERSIONS	ALL	900E	DRN BY	P.B.	DATE	03-06-99	



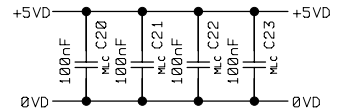
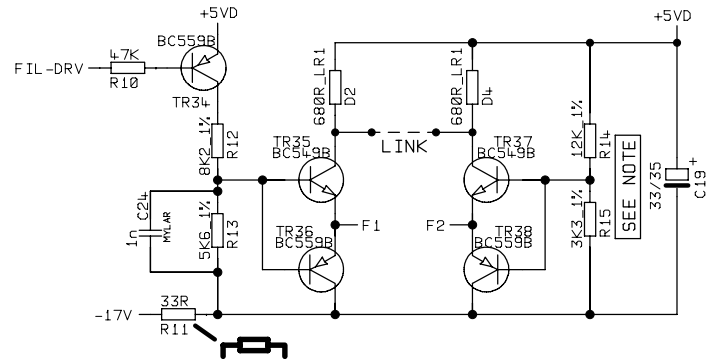
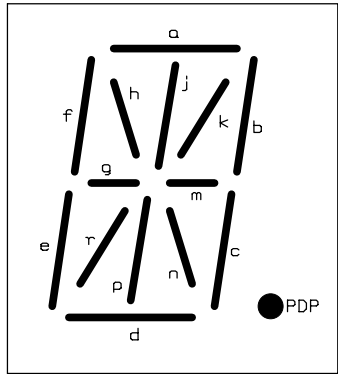
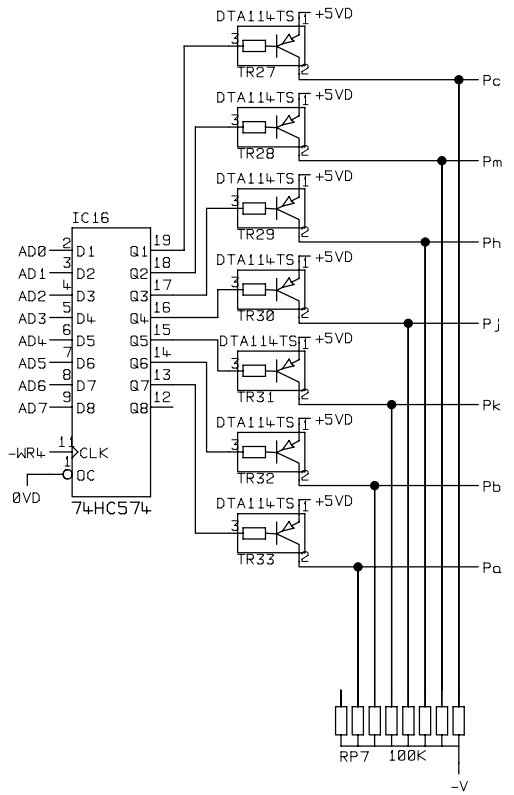
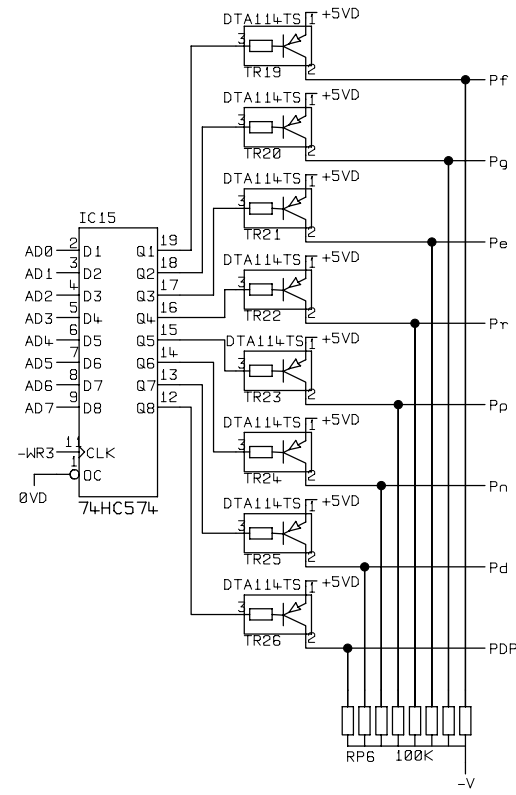
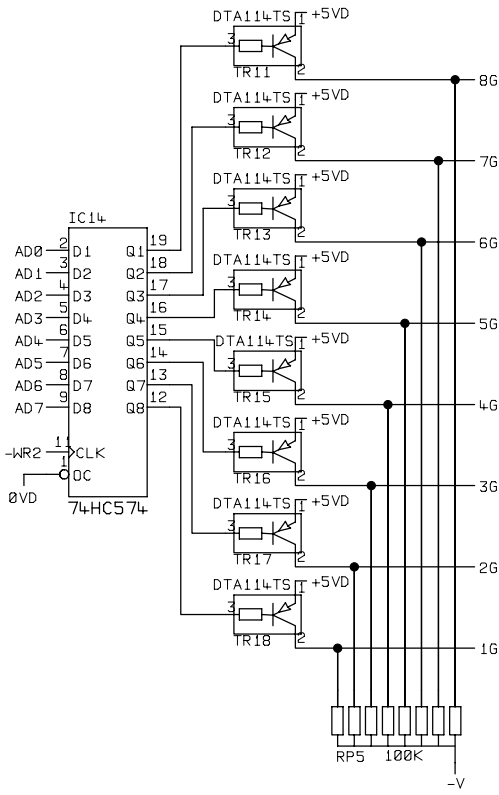
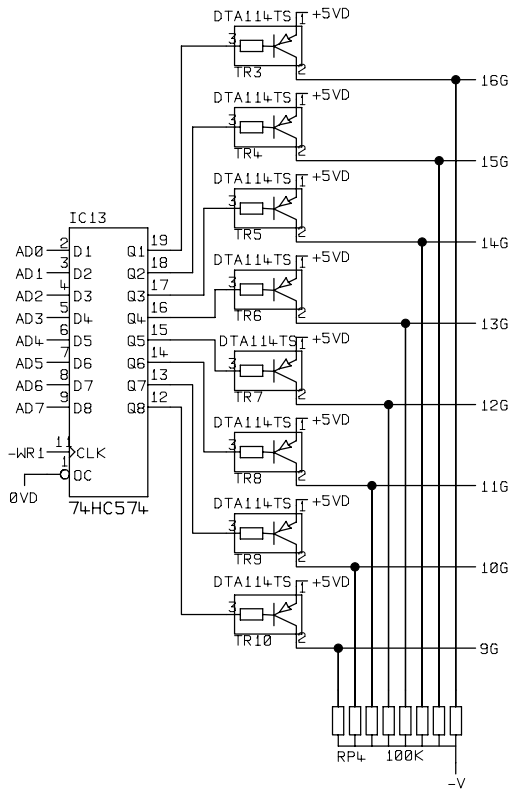
POWERHOUSE FOCUS ASSEMBLY DEVIATIONS
 * = DO NOT FIT THESE COMPONENTS
 # = D3 & D6 FIT LINK IN THESE POSITIONS

NOTE :		STUDIOMASTER DIAMOND LTD		TITLE		INSERT PCB CIRCUIT		FILE NAME	
								R8C3-2.DGM	
		PRODUCT		PART 1 OF 1				ISSUE No	
		VERSIONS		DRN BY		DATE		R8C3-2	
		FOCUS / VISION 700 HORIZON 1200		P.A.		12-06-98			
		R10 R23 51K 68K							
		FOCUS/VISION700 712/HORIZON1200 1216							



REV A = SEE R8C7B-2 FOR DETAILS		STUDIOMASTER DIAMOND LTD		TITLE DISPLAY PROCESSOR PCB		FILE NAME R8C7A-2.DGM	
PRODUCT		POWERHOUSE VISION/ HORIZON		PART 1 OF 2		ISSUE No	
VERSIONS		708 712 1208 1216		DRN BY P.A.		R8C7A-2 REV A	
				DATE		14-05-99	

= FIT COMPONENT WITH BODY 3MM OFF BOARD

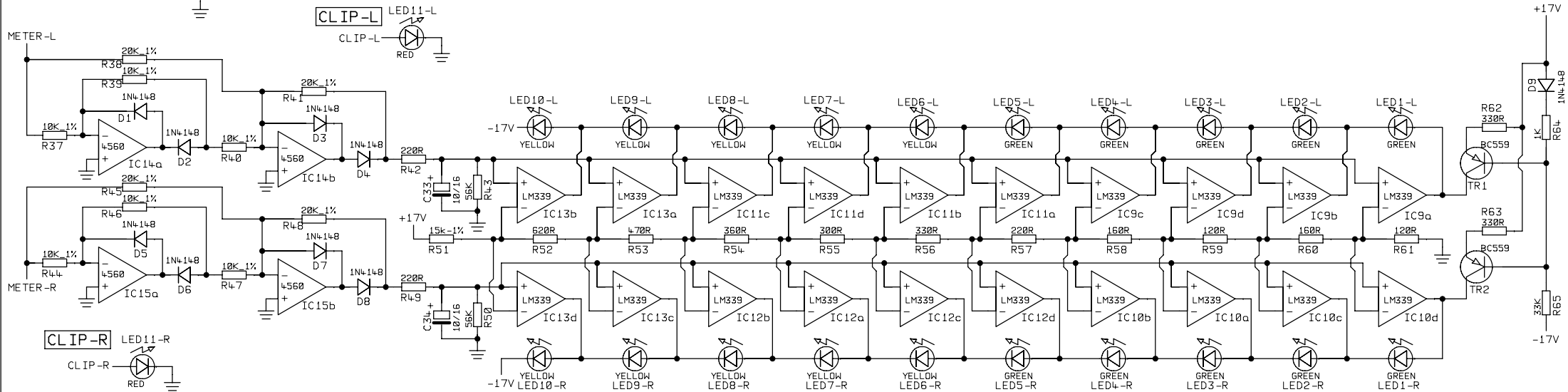
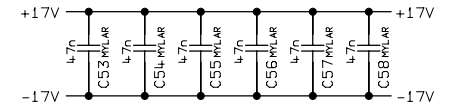
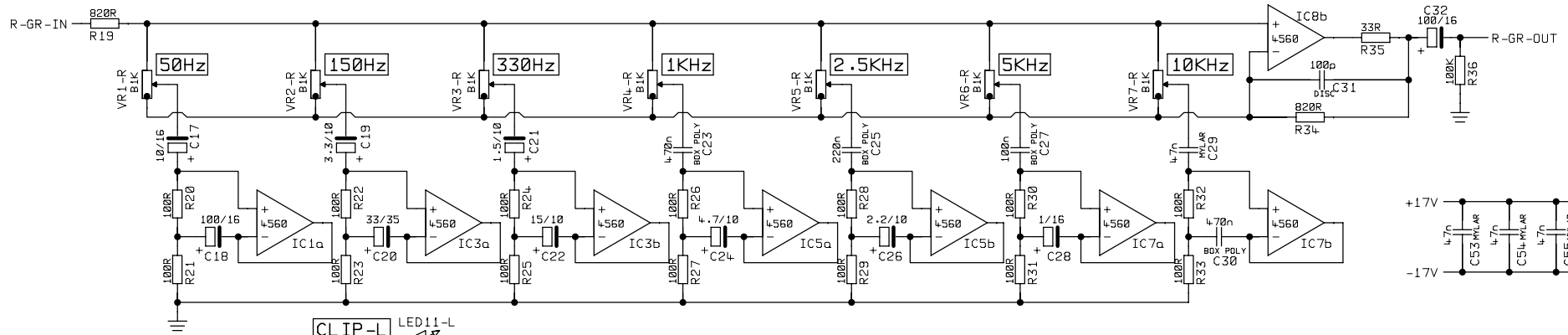
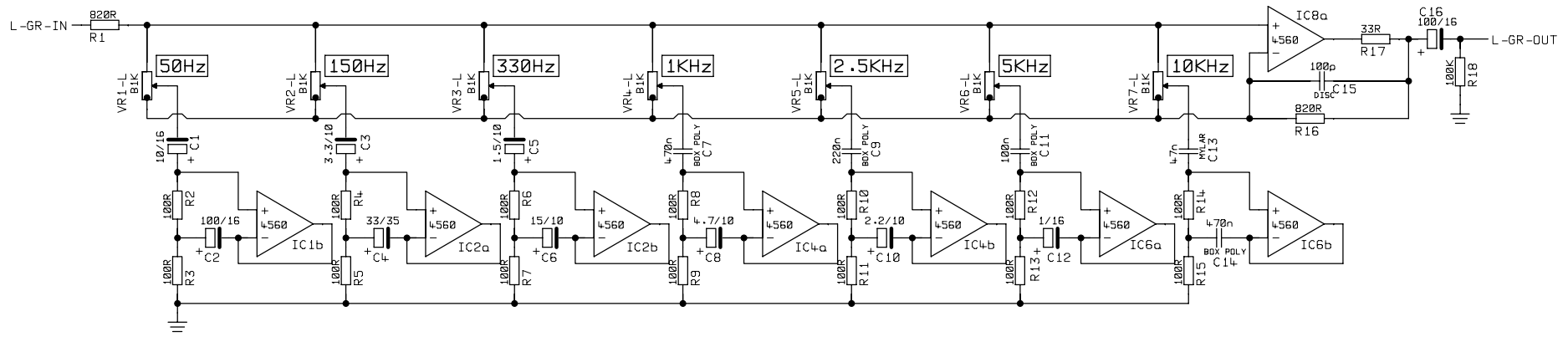


REV A = D2 & D4 CHANGED FROM 1W3 15V ZENER DIODES TO 680R LR1 or 0.5W RATED PART IN 0.25W BODY SIZE
LINK ACROSS D2 & D4

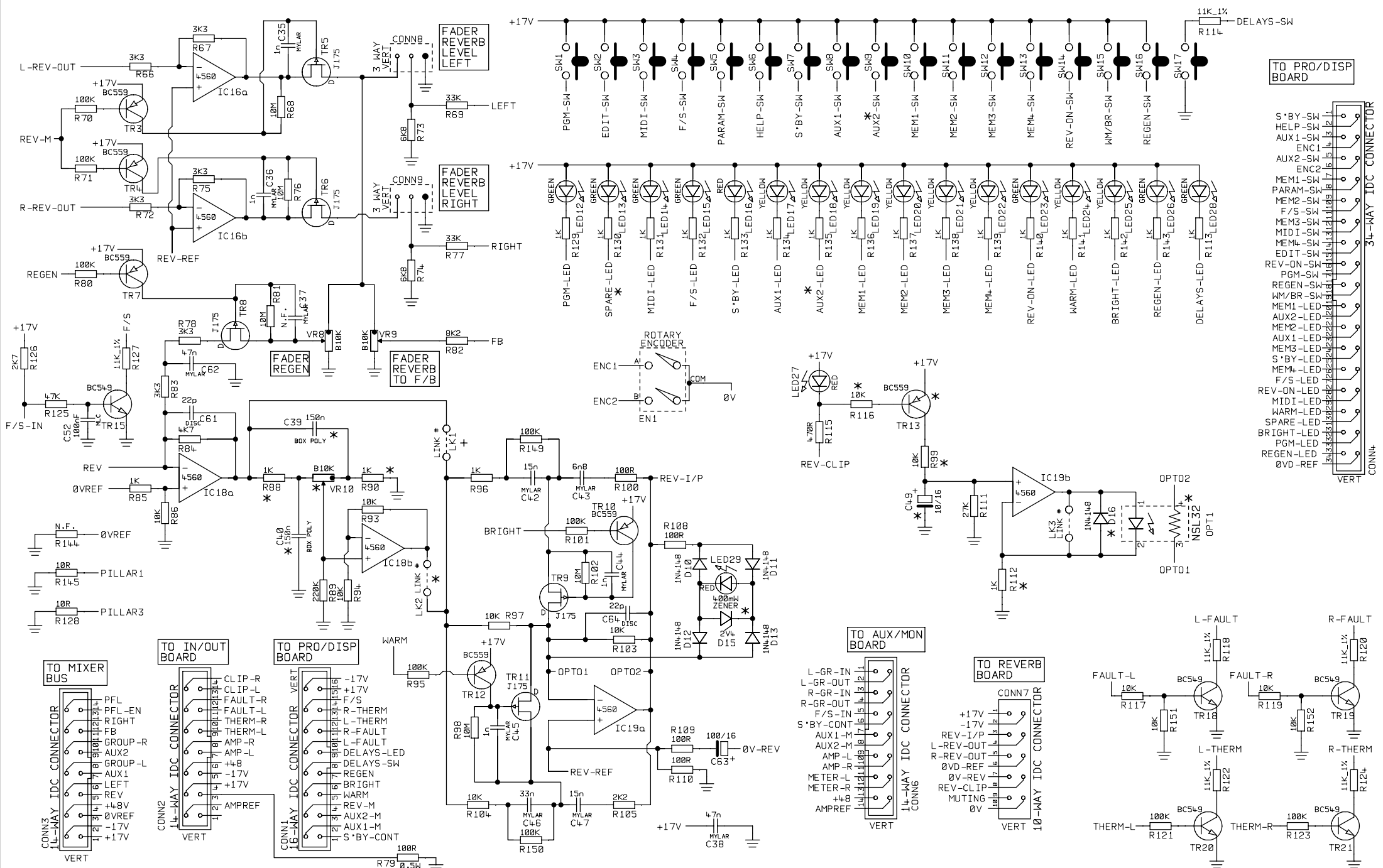
NOTE	BC54-9 AND BC559 TRANSISTOR TYPES	
	B GRADE	C GRADE
R14	12K_1%	16K_1%
R15	3K3_1%	4K3_1%

= FIT COMPONENT WITH BODY 3MM OFF BOARD

STUDIOMASTER DIAMOND LTD				TITLE	DISPLAY PROCESSOR PCB			FILE NAME	R8C7B-2.DGM	
PRODUCT	POWERHOUSE VISION/ HORIZON			PART 2 OF 2				ISSUE No	R8C7B-2	
VERSIONS	708	712	1208	1216	DRN BY	P.A.	DATE	14-05-99	REV A	

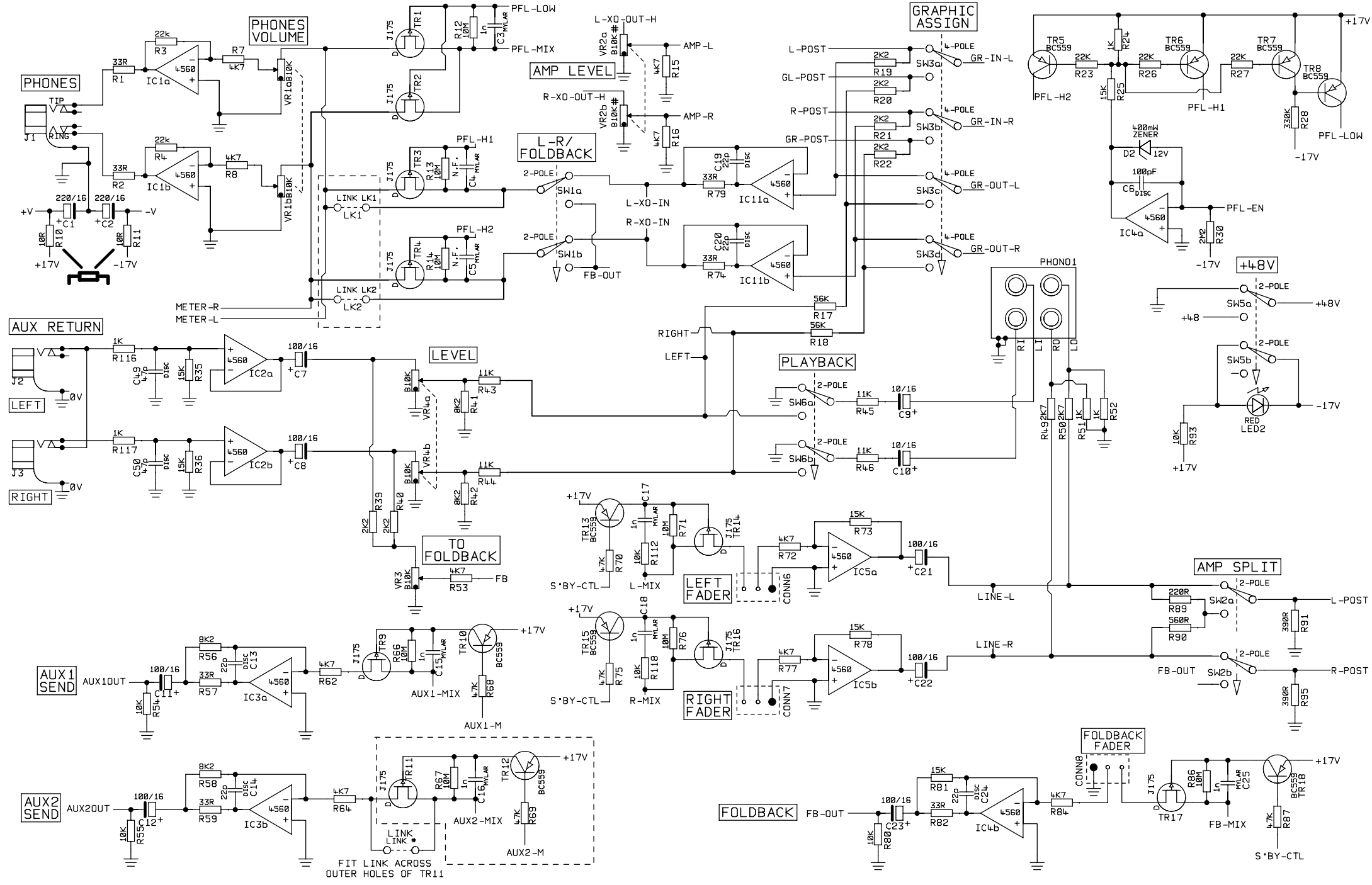


STUDIOMASTER DIAMOND LTD		TITLE CONTROL/GRAPHIC BOARD		FILE NAME R8C8A-3.DGM
PRODUCT	POWERHOUSE VISION / HORIZON	PART 1 OF 2		ISSUE No
VERSIONS	708 712 1208 1216	DRN BY	P.A.	DATE 03-07-97
				R8C8A-3



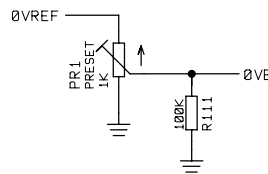
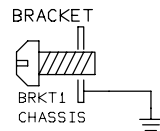
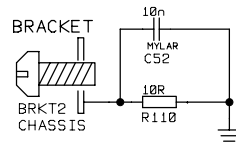
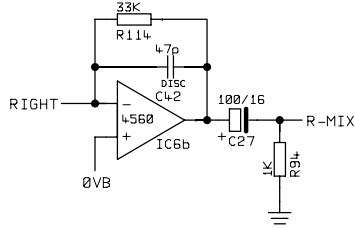
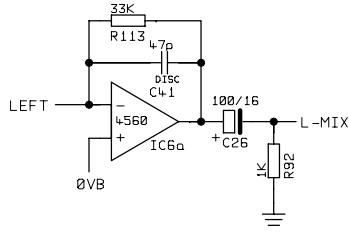
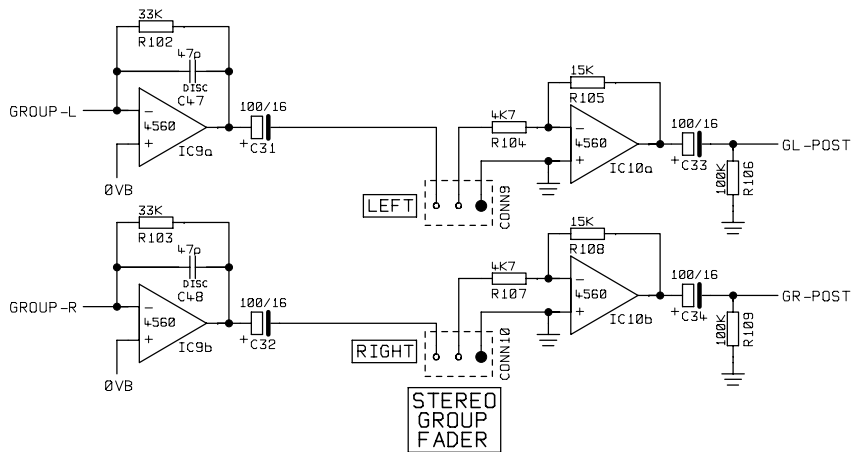
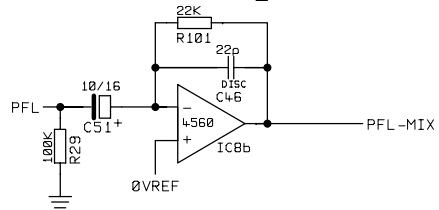
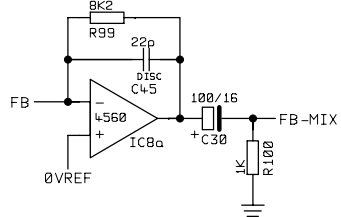
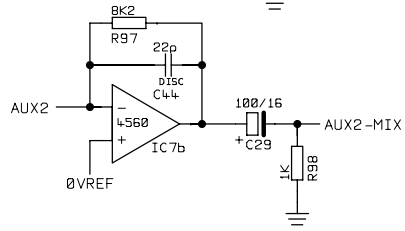
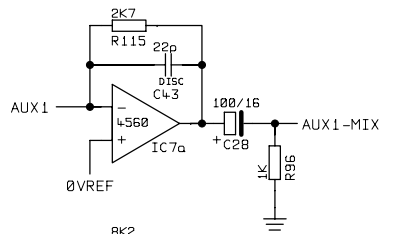
* = NOT FITTED COMPONENTS

STUDIOMASTER DIAMOND LTD				TITLE CONTROL/GRAPHIC BOARD		FILE NAME R8C8B-3.DGM	
PRODUCT POWERHOUSE VISION / HORIZON		PART 2 OF 2		ISSUE No			
VERSIONS 708 712 1208 1216		DRN BY P.A.		DATE 15-09-97		R8C8B-3 REV A	

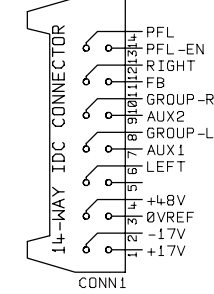


VR2 ON SINGLE VOLTAGE MODELS IS B1K
 NOTE : ITEMS IN DOTTED ARE NOT FITTED
 = FIT COMPONENT WITH BODY 3MM OFF BOARD

STUDIOMASTER DIAMOND LTD		TITLE	AUX BOARD		FILE NAME
PRODUCT	POWERHOUSE VISION / HORIZON	PART 1 OF 2		R8C9A-2.DGM	
VERSIONS	708 712 1208 1216	DRN BY	P.A.	DATE	04-12-97
					ISSUE No
					R8C9A-2
					REV2

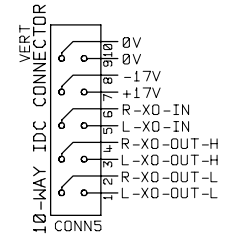


TO MIXER BUS

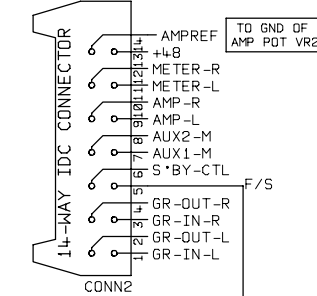


OPTIONAL CROSSOVER BOARD CONNECTIONS

TO XOVER BOARD

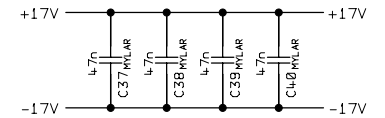
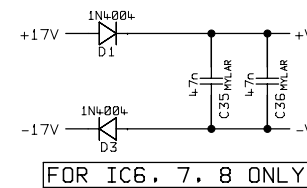
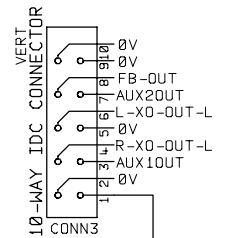


TO CONTROL /GRAPHIC



REAR PANEL CONNECTOR BOARD

TO CONNECTOR BOARD



STUDIOMASTER DIAMOND LTD

TITLE

AUX BOARD

FILE NAME
R8C9B-2.DGM

PRODUCT

POWERHOUSE VISION/ HORIZON

PART 2 OF 2

ISSUE No

R8C9B-2

VERSIONS

708 712 1208 1216

DRN BY

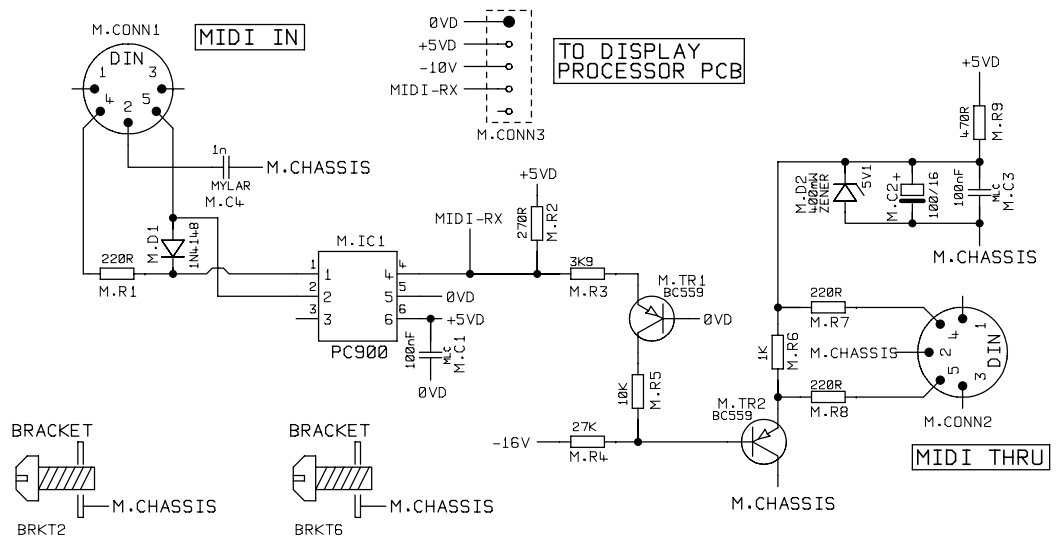
P.A.

DATE

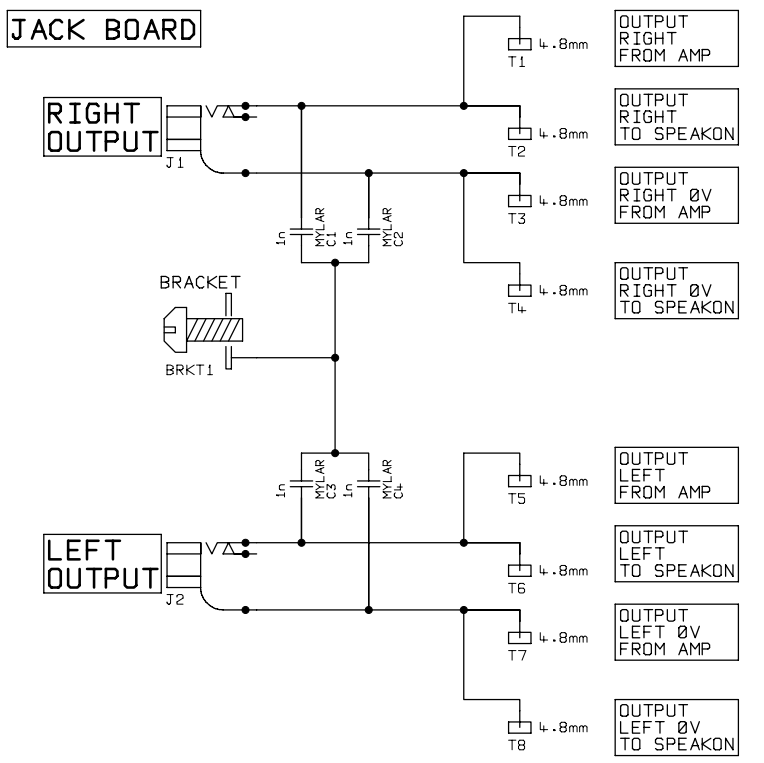
07-10-97

REV1

NOT FITTED ON FOCUS VERSIONS



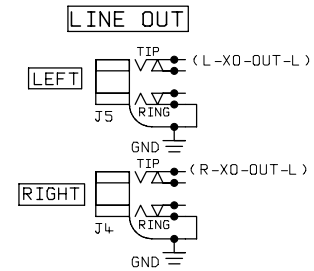
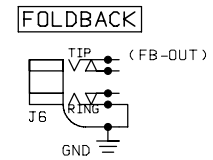
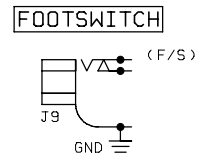
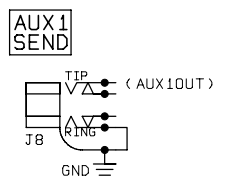
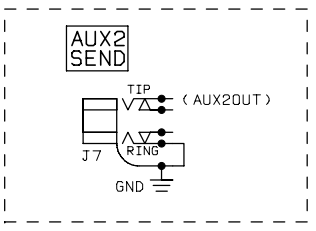
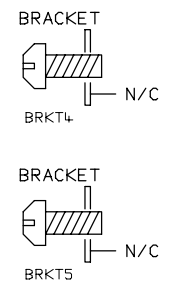
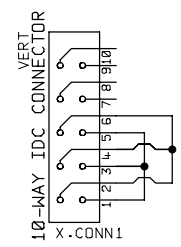
NOT FITTED ON HORIZON 1208/1216 VERSIONS



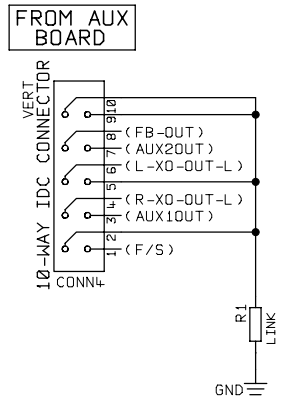
NOT FITTED ON FOCUS VERSIONS

OPTIONAL CROSSOVER BOARD CONNECTIONS

STANDARD BY-PASS BOARD

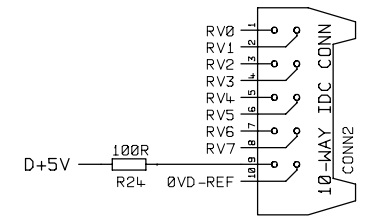
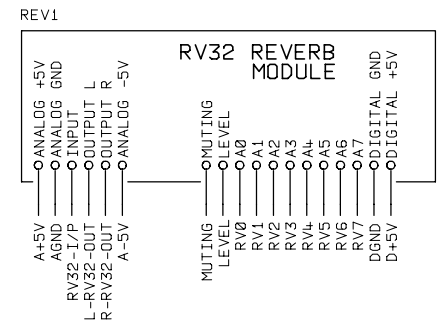
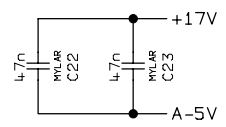
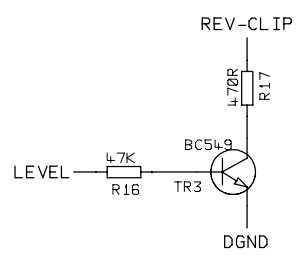
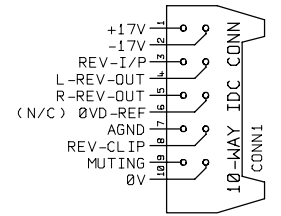
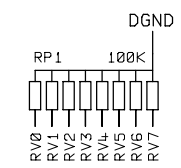
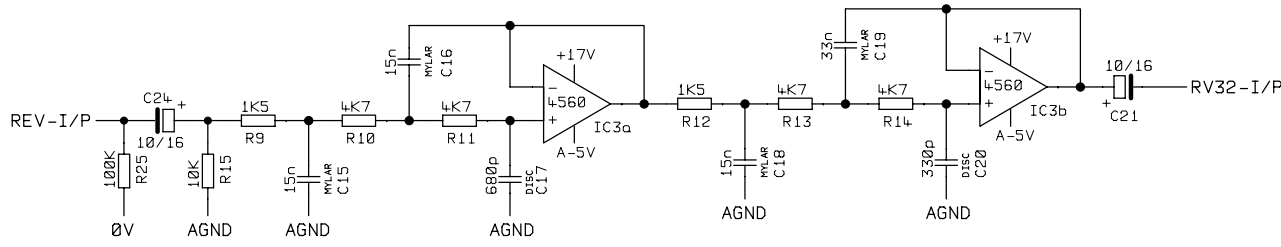
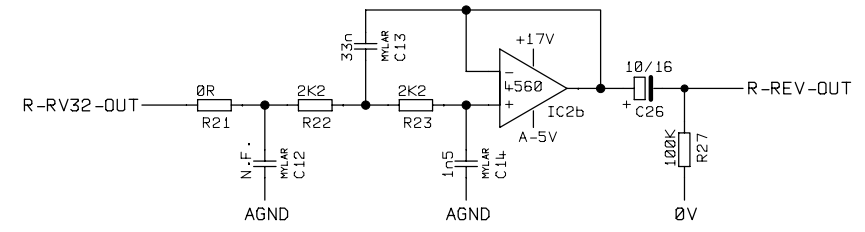
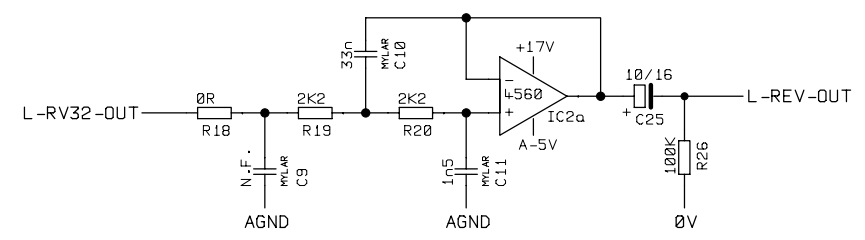
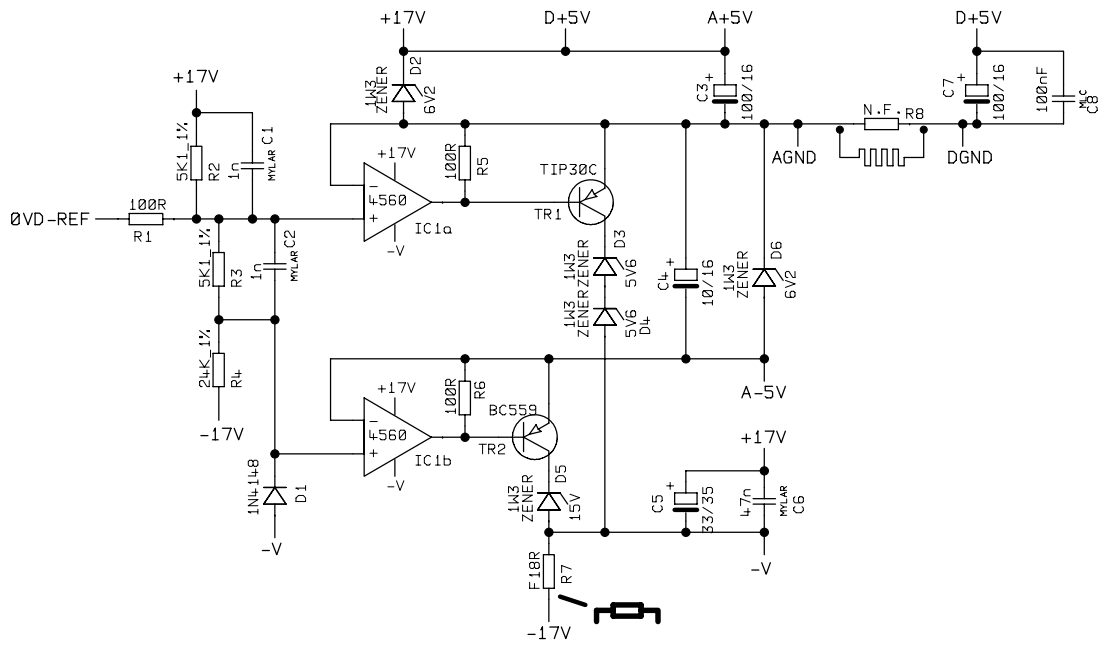


REAR PANEL CONNECTOR BOARD



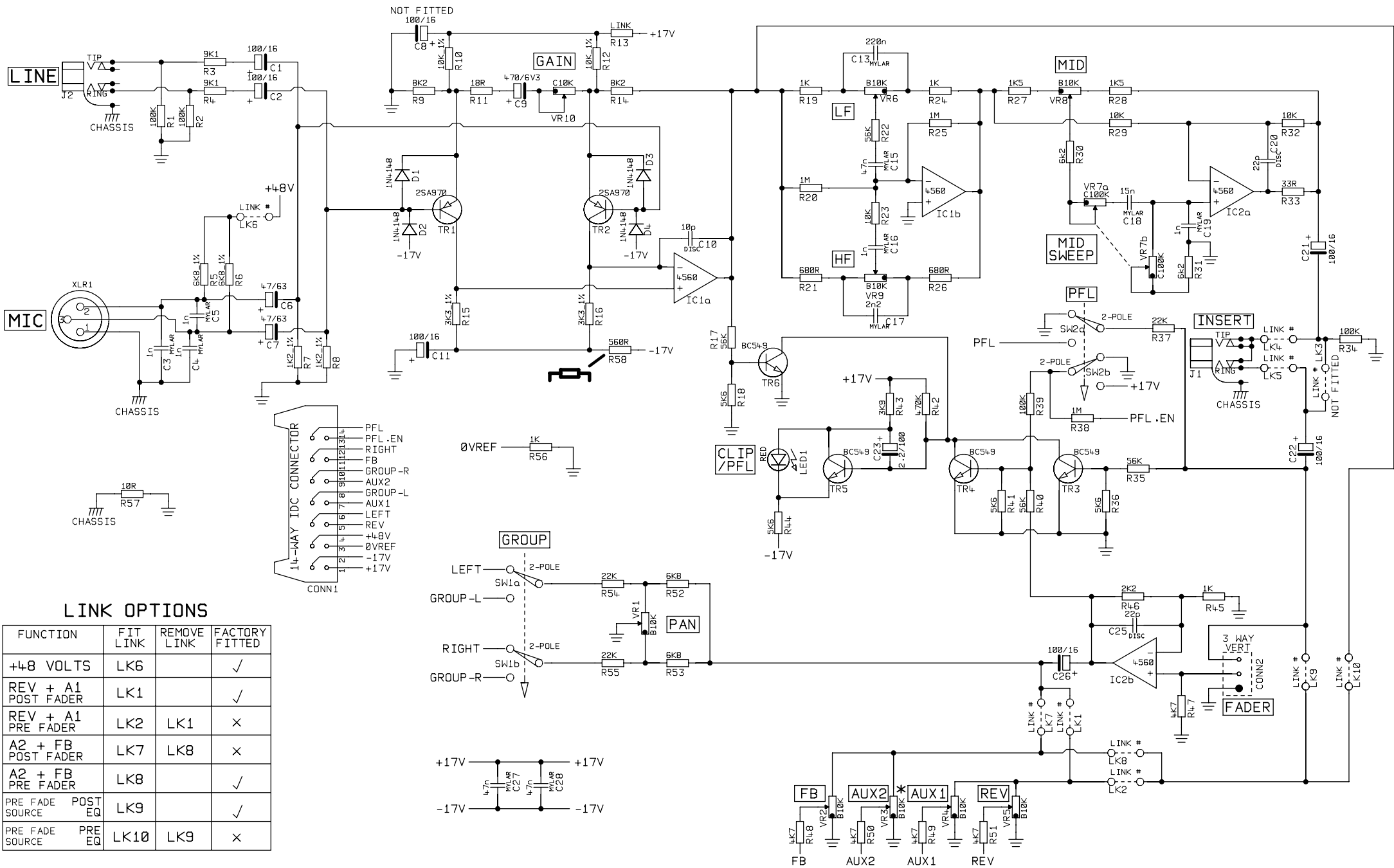
NOTE: CIRCUIT IN DOTTED LINES HORIZON 1208 / 1216 VERSIONS ONLY

STUDIOMASTER DIAMOND LTD		TITLE	MIDI/XOVER/AUX CONN BOARD / JACK OUTPUT BOARD		FILE NAME	R8C10-2.DGM	
PRODUCT	POWERHOUSE	PART 1 OF 1			ISSUE No	R8C10-2	
VERSIONS	FOCUS/VISION708 712/HORIZON1208 1216	DRN BY	P.A.	DATE	08-04-98		REV A



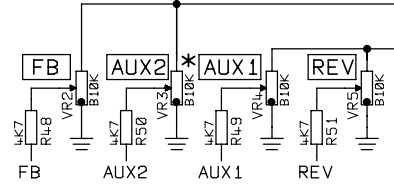
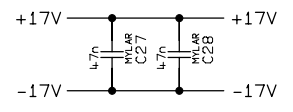
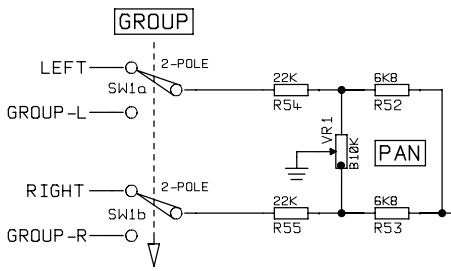
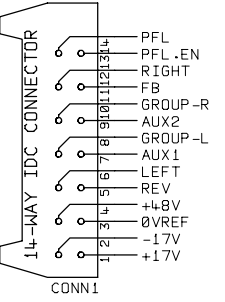
= FIT COMPONENT WITH BODY 3MM OFF BOARD

STUDIOMASTER DIAMOND LTD		TITLE	REVERB INTERFACE PCB		FILE NAME	R8C18-3.DGM	
PRODUCT	POWERHOUSE VISION/ HORIZON	PART 1 OF 1		ISSUE No		R8C18-3	
VERSIONS	708 712 1208 1216	DRN BY	P.A.	DATE	01-07-97		



LINK OPTIONS

FUNCTION	FIT LINK	REMOVE LINK	FACTORY FITTED
+48 VOLTS	LK6		✓
REV + A1 POST FADER	LK1		✓
REV + A1 PRE FADER	LK2	LK1	✗
A2 + FB POST FADER	LK7	LK8	✗
A2 + FB PRE FADER	LK8		✓
PRE FADE POST SOURCE EQ	LK9		✓
PRE FADE PRE SOURCE EQ	LK10	LK9	✗



NOTE : COMPONENTS MARKED * = FITTED ON HORIZON 1208 / 1216 ONLY

STUDIOMASTER DIAMOND LTD		TITLE	MONO INPUT CIRCUIT		FILE NAME	R1C4-4.DGM
PRODUCT	POWERHOUSE VISION / HORIZON	PART 1 OF 1			ISSUE No	
VERSIONS	708 712 1208 1216	DRN BY	P.A.	DATE	22-07-97	R1C4-4

= FIT COMPONENT WITH BODY 3MM OFF BOARD