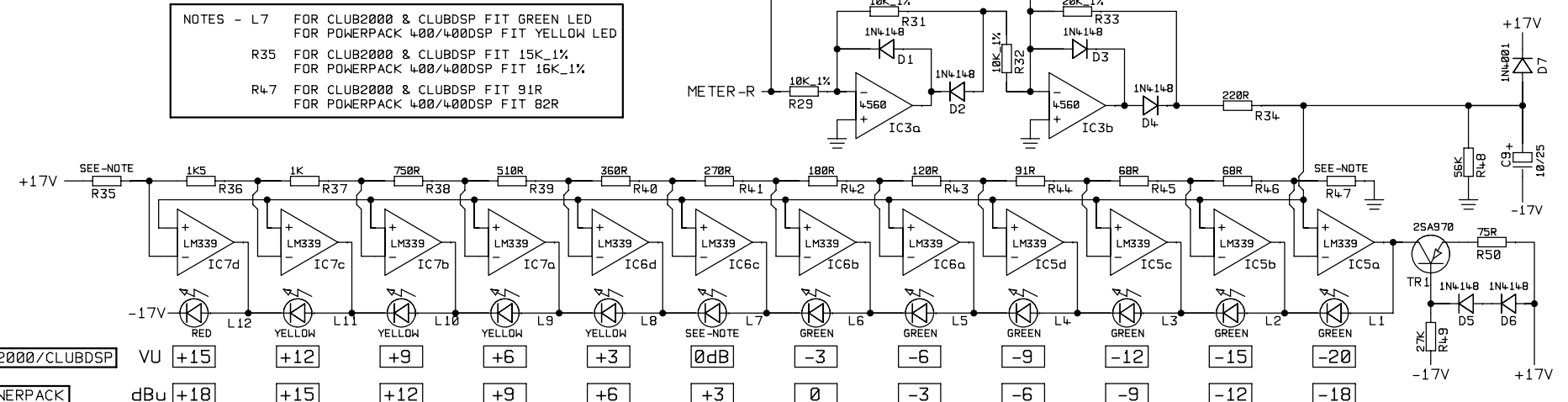


NOTES - L7 FOR CLUB2000 & CLUBDSP FIT GREEN LED
 FOR POWERPACK 400/400DSP FIT YELLOW LED
 R35 FOR CLUB2000 & CLUBDSP FIT 15K_1%
 FOR POWERPACK 400/400DSP FIT 16K_1%
 R47 FOR CLUB2000 & CLUBDSP FIT 91R
 FOR POWERPACK 400/400DSP FIT 82R



1	=	O/P	=	GRPB
2	=	O/P	=	GRPA
3	=	+17V		
4	=	+	=	GRPA
5	=	+	=	GRPA
6	=	+	=	GRPB
7	=	+	=	GRPB
8	=	+	=	GRPC
9	=	+	=	GRPC
10	=	+	=	GRPD
11	=	+	=	GRPD
12	=	-17V		
13	=	O/P	=	GRPD
14	=	O/P	=	GRPC

REV B - FOR POWERPACK 400 & 400DSP CHANGE
 L7 FROM GREEN TO YELLOW
 R35 FROM 15K_1% TO 16K_1%
 R47 FROM 91R TO 82R

REV A - C1 FROM 47P TO 100P

GROUP A		GROUP B		
1	=	8	=	+17V
2	=	7	=	O/P
3	=	6	=	+
4	=	5	=	-17V

NOTE - ALL RESISTORS ARE 0.125W TYPE
 0dB_T = +4dBu

STUDIOMASTER DIAMOND LTD

PRODUCT: LOGIC 12
 CLUB2000
 CLUBDSP
 POWERPACK

MODEL: ALL
 ALL
 ALL
 400 400DSP

TITLE: RIGHT OUTPUT

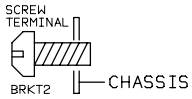
PART 1 OF 1

DRN BY: P.A. DATE: 04-03-99

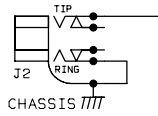
FILE NAME: R7C4-4.DGM

ISSUE No: **9607047-4**

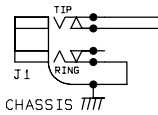
REV B



LINE 4.6.8



LINE 5.7.9



REV A = R9, R10 CHANGED FROM 1K2 TO 1K3
R16 CHANGED FROM 100K TO 120K

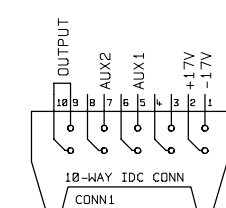
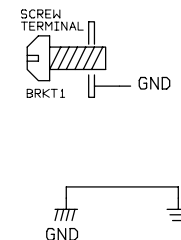
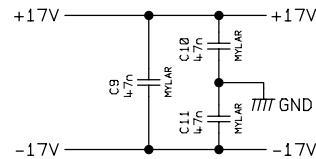
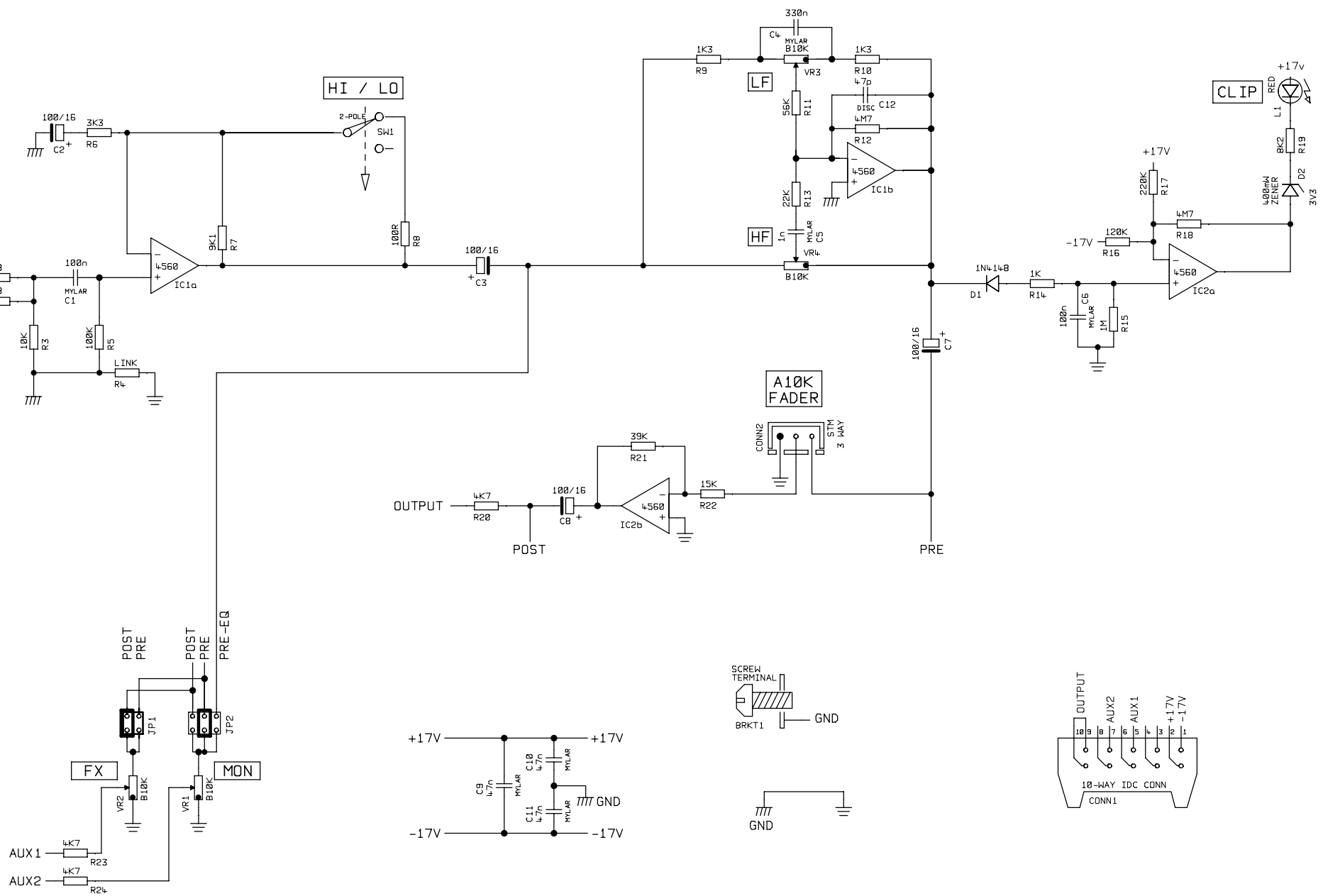
2 = 4.7P ADDED IN POSITION C12. R9,R10 CHANGED FROM 1K TO 1K2. R16 CHANGED FROM 4.7K TO 100K
R21 CHANGED FROM 02K TO 39K. R1,R2 FROM 68K TO 6K8. R3 FROM 100K TO 10K. R5 FROM 4.70K TO 100K. C2 (0V) TO CHASSIS. R5 (0V) TO CHASSIS
IC1B CHANGED TO CHASSIS NOT 0V. JP3 & R25 DELETED. R4 CHANGED FROM 10R TO LINK

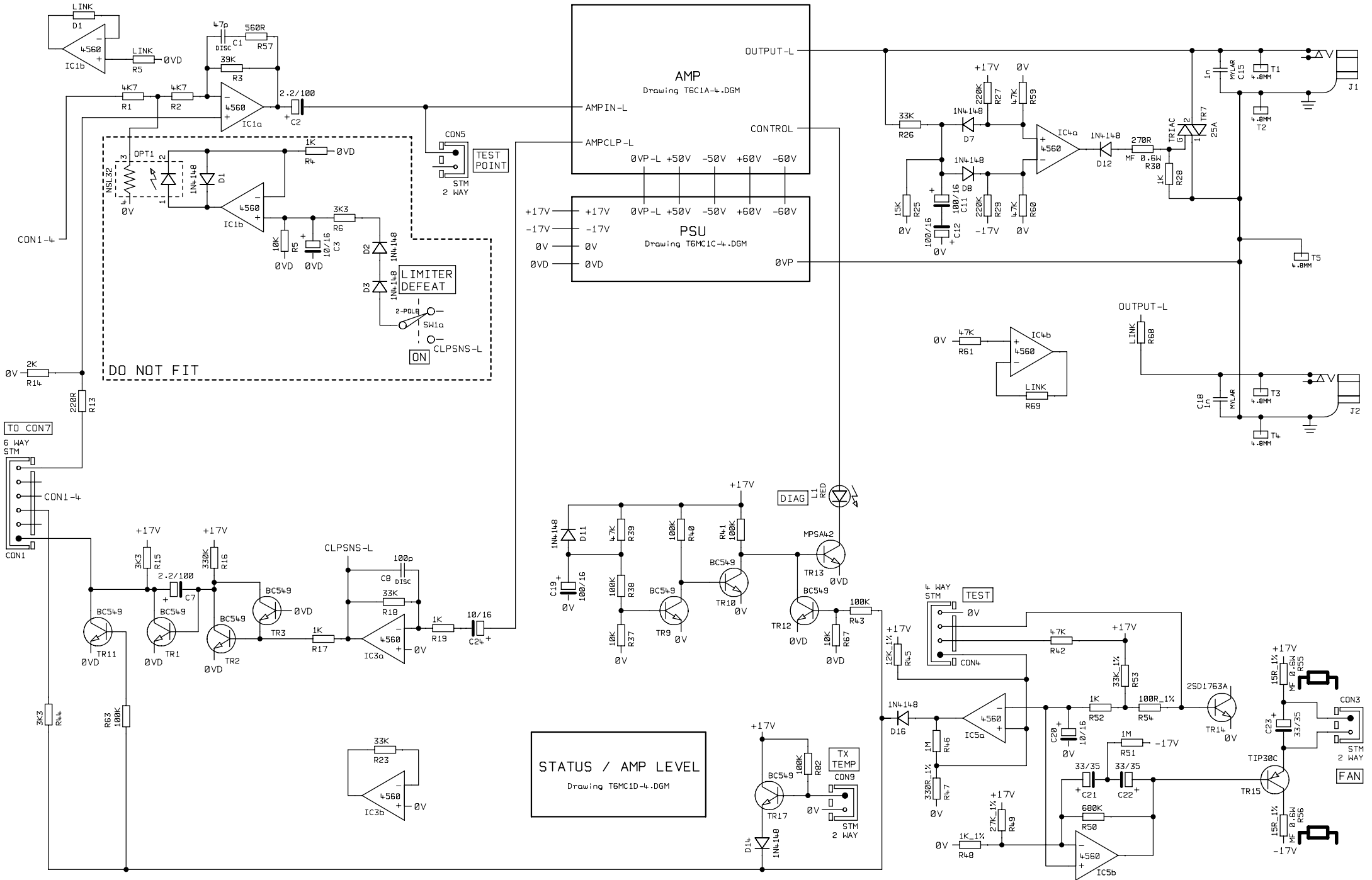
PIN OUTS FOR ALL OPAMPS	
GROUP A	GROUP B
1 = 0/P	8 = +17V
2 = -	7 = 0/P
3 = +	6 = -
F = -17V	5 = +

STUDIOMASTER DIAMOND LTD
PRODUCT POWERPACK MODEL 200

TITLE LINE INPUT
PART 1 OF 1
DRN BY P.A. DATE 01-03-99

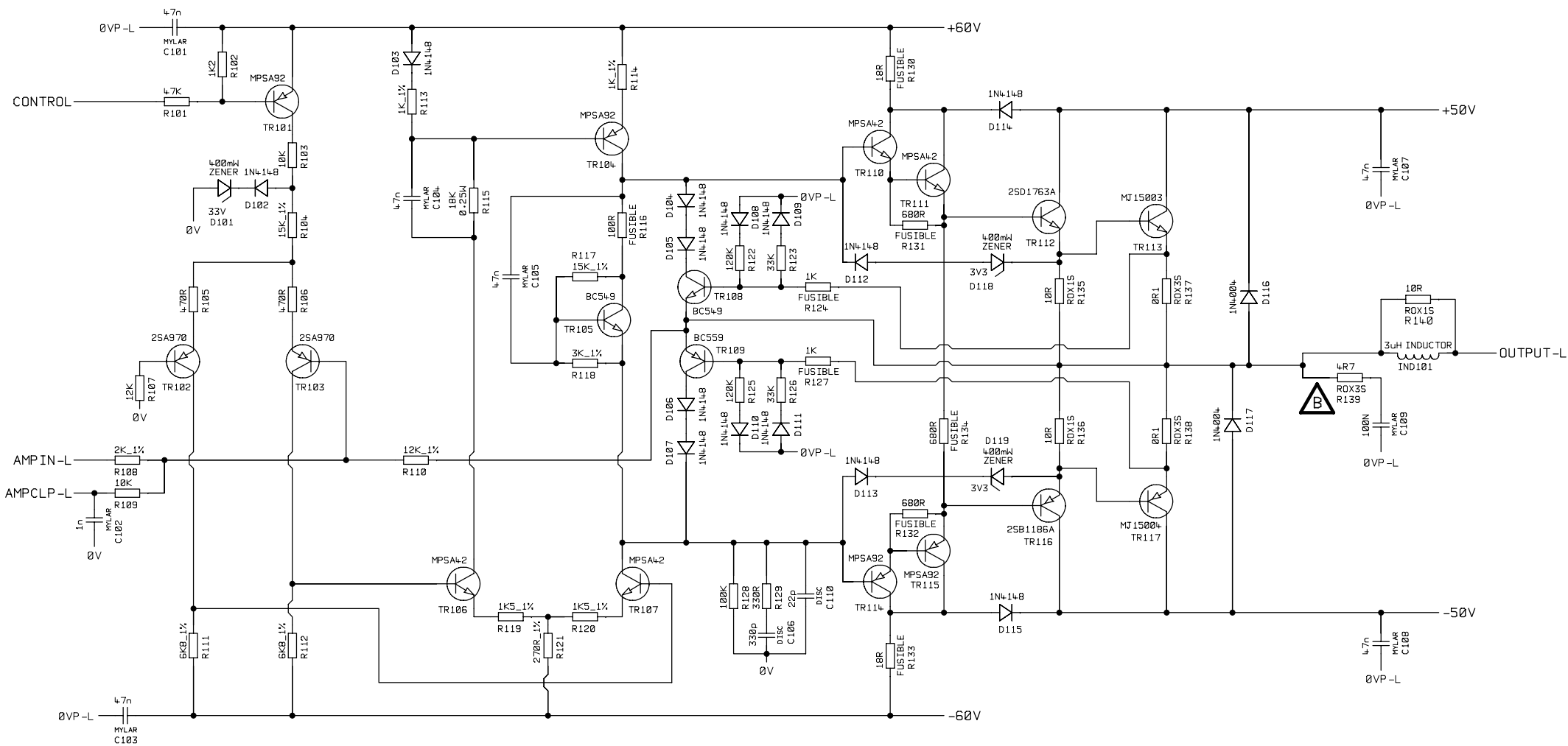
FILE NAME T6C3-2.DGM
PCBUTA82
FIN36203
ISSUE No T6C3-2 REV A





= STAND RESISTORS 3MM OFF BOARD
 REV C = R30 CHANGED FROM 0.125W TO 0.6W (240999)
 REV B = R55,R56 TO BE SPACED OFF BOARD BY 3MM
 REV A = JACK SOCKETS J1,J2 CHANGED FROM SPECIAL NOSE TO FULL THREAD
 4 = C2 FROM 100/16 TO 2.2/100, CON1,CON2 FROM 2X3WAY TO 1X6WAY, TX TEMP CCT CHANGED, R27,R29 CHANGED FROM 100K TO 220K, J1,J2 FROM STEREO TO MONO, BRKT1,BRKT2 DELETED, T5 ADDED, CON5 FROM HDR TO STM

STUDIOMASTER DIAMOND LTD		TITLE		FILE NAME	
PRODUCT		POWERPACK		T6MC1-4.DGM	
VERSIONS		200		ISSUE No	
		DRN BY		T6MC1-4 REV C	
		P.A.		PCBUT832	
		DATE		24-05-99	



Parent T6C1-4.DGM

B = SPACE OFF BOARD USING CERAMIC SPACER

REV D = R115 CHANGED FROM 0.125W TO 0.25W (240999)
 REV C = SEE T6C1C-4 FOR DETAILS
 REV B = R139 TO BE SPACED OFF BOARD USING HRDLH052 CERAMIC SPACERS
 REV A = NO CHANGES ON SCHEMATIC
 4 = NO CHANGES ON SCHEMATIC

STUDIOMASTER DIAMOND LTD

TITLE LEFT AMP

FILE NAME T6C1A-4.DGM

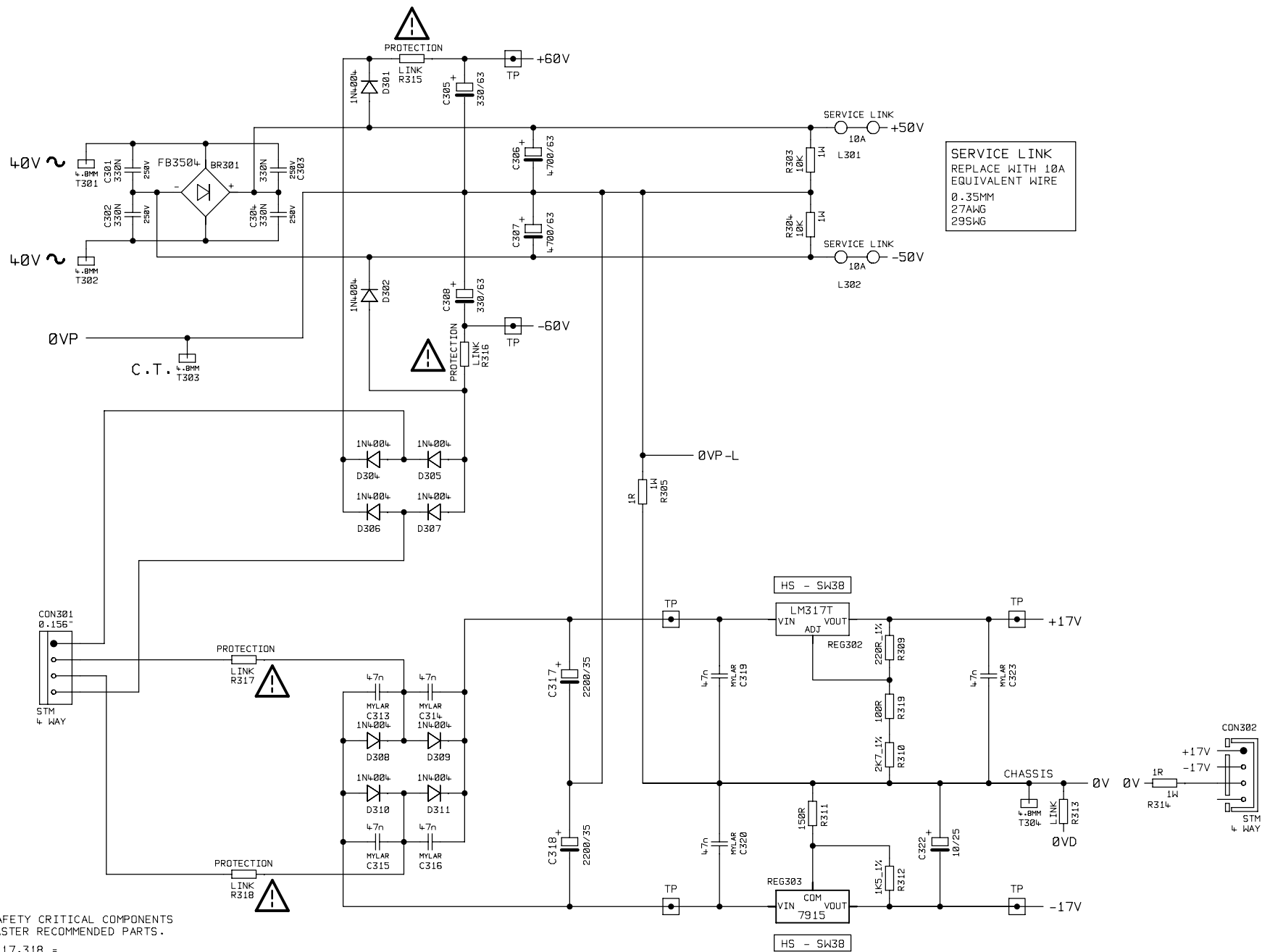
PRODUCT POWERPACK

ISSUE No

VERSIONS 200 400 400DSP

T6C1A-4 REV D
PCBUT832

DRN BY P.A. DATE 16-09-1999



SERVICE LINK
 REPLACE WITH 10A
 EQUIVALENT WIRE
 0.35MM
 27AWG
 29SWG

WARNING INDICATES SAFETY CRITICAL COMPONENTS
 REPLACE ONLY WITH STUDIOMASTER RECOMMENDED PARTS.
 PROTECTION LINK R315.316.317.318 =
 35SWG OR 0.2MM TCW AROUND 0.25W 100K RESISTOR

Parent T6MC1-4.DGM

REV B = SEE T6MC1. T6C1A FOR DETAILS

REV A = R315.316.317.318 CHANGED FROM 0R22 FUSIBLE TO PROTECTION LINK
 SAFETY CRITICAL MARKINGS ADDED TO SCHEMATIC

Δ = C317.C318 CHANGED FROM 1000/35 TO 2200/35. C321 10/25.C324 4.7N DELETED
 REG302 & REG303 HEATSINKS CHANGED FROM HS-PF750 TO REDPOINT SW-38 TYPE
 R315 & R316 CHANGED FROM 0R47 FUSIBLE TO 0R22 FUSIBLE
 C305 & C308 CHANGED FROM 220/63 TO 330/63

STUDIOMASTER DIAMOND LTD

TITLE PSU

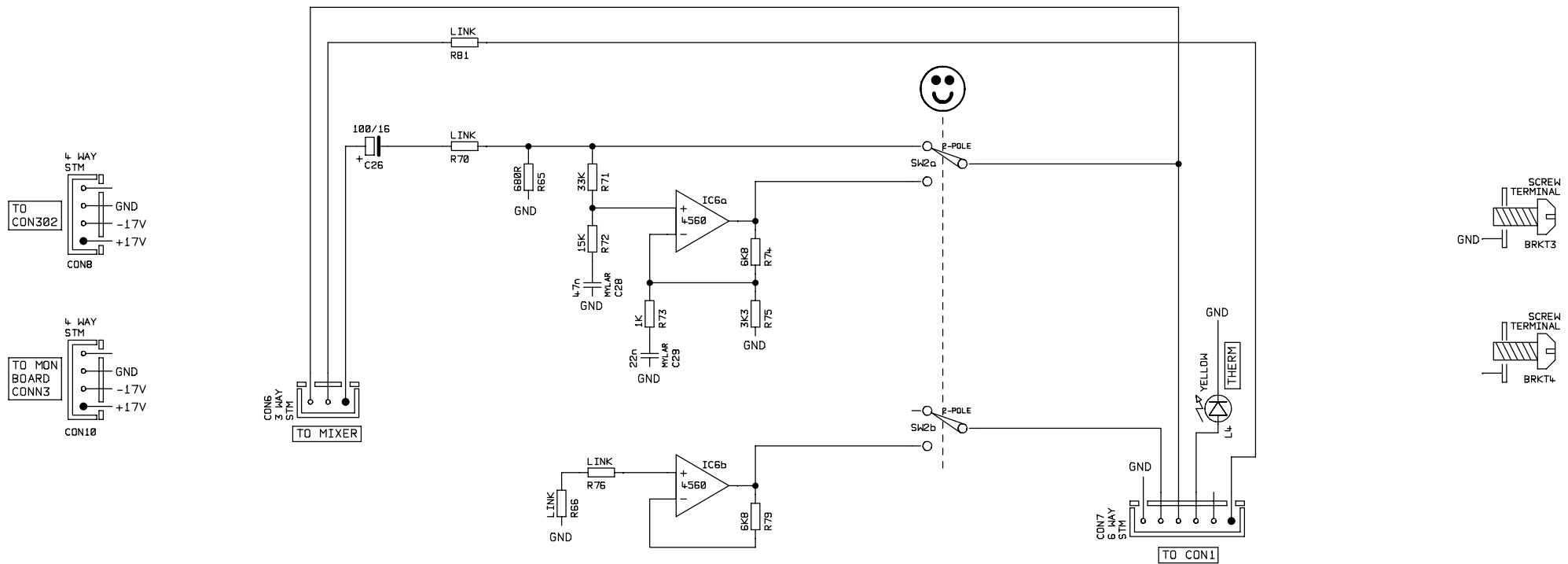
FILE NAME
 T6MC1C-4.DGM

PRODUCT POWERPACK

ISSUE No
T6MC1C-4 REV B
 PCBUT832

VERSIONS 200

DRN BY P.A. DATE 24-05-99



Parent T6MC1-4.DGM

REV B = SEE T6MC1, T6C1A FOR DETAILS
 REV A = NO CHANGES ON SCHEMATIC

4 = R81 LINK, R65 680R, R66 LINK, R76 LINK ADDED, R77 15K, C30 4.7N DELETED
 CON6 CHANGED TO 3-WAY, TRACK ADDED FROM PIN3 OF CON6 TO PIN4 OF CON7

STUDIOMASTER DIAMOND LTD	
PRODUCT	POWERPACK
VERSIONS	200

TITLE	STATUS / AMP LEVEL CCT		
DRN BY	P.A.	DATE	24-05-99

FILE NAME	T6MC1D-4.DGM
ISSUE No	T6MC1D-4 REV B
PCBUT832	