

REV A - R17, R18, R22, R23 FROM 1K to 1K3

PIN OUTS FOR ALL OPAMPS	
GROUP A	GROUP B
1 = 0/P	8 = +17V
2 = -	7 = 0/P
3 = +	5 = -
4 = -17V	6 = +

NOTE - ALL RESISTORS ARE 0.125W TYPE

STUDIOMASTER DIAMOND LTD

PRODUCT: LOGIC 12 CLUB2000 CLUBDSP POWERPACK

MODEL: ALL ALL ALL ALL 400 400DSP

TITLE: STEREO INPUT

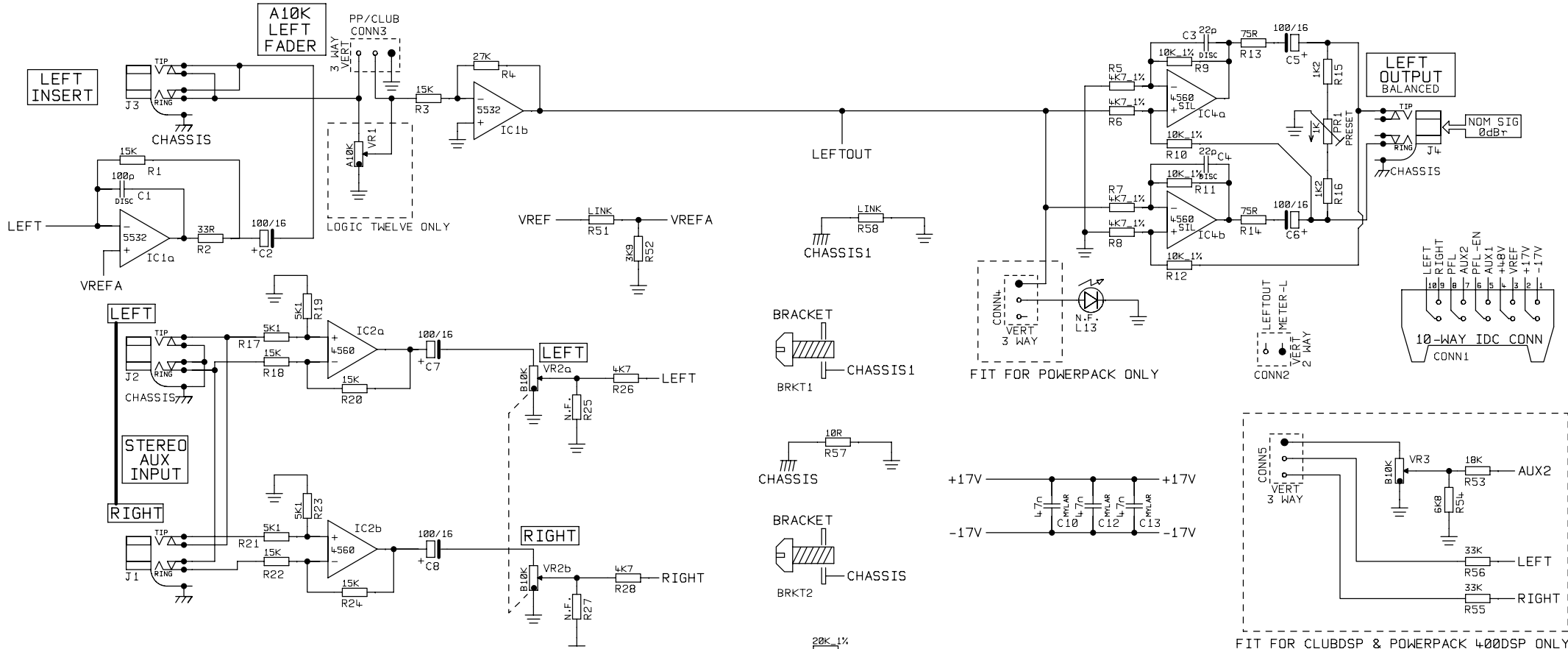
PART 1 OF 1

DRN BY: P.A. DATE: 01-03-99

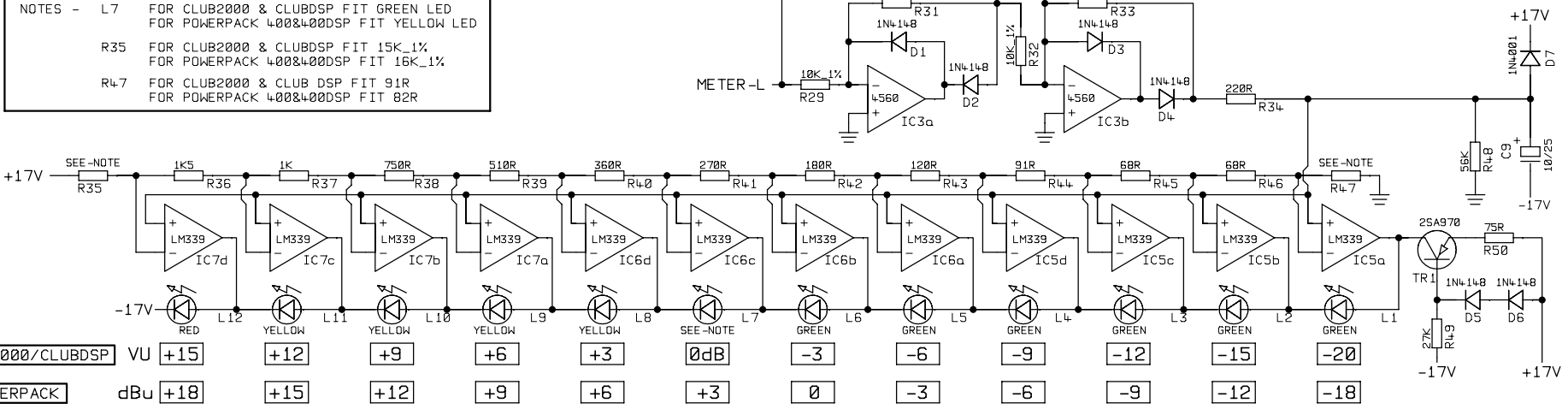
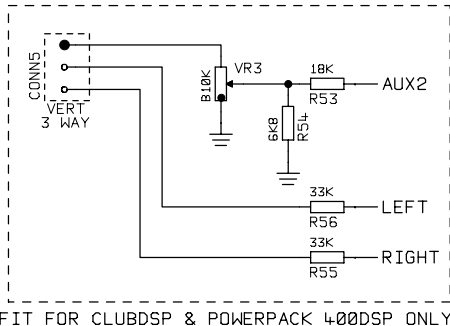
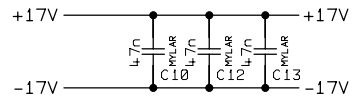
FILE NAME: R7C2-2.DGM

ISSUE No: **9607045-2**

REV A

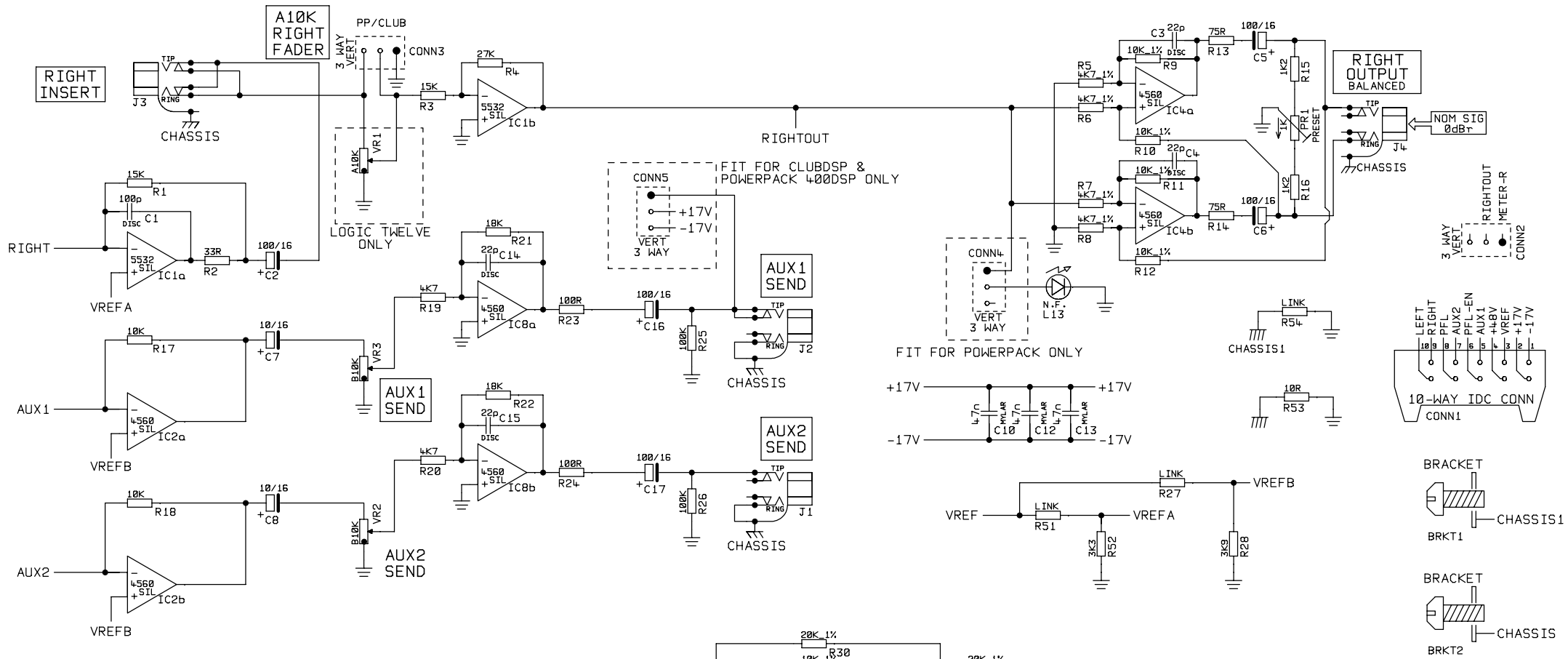


NOTES - L7 FOR CLUB2000 & CLUBDSP FIT GREEN LED
 FOR POWERPACK 400&400DSP FIT YELLOW LED
 R35 FOR CLUB2000 & CLUBDSP FIT 15K_1%
 FOR POWERPACK 400&400DSP FIT 16K_1%
 R47 FOR CLUB2000 & CLUB DSP FIT 91R
 FOR POWERPACK 400&400DSP FIT 82R

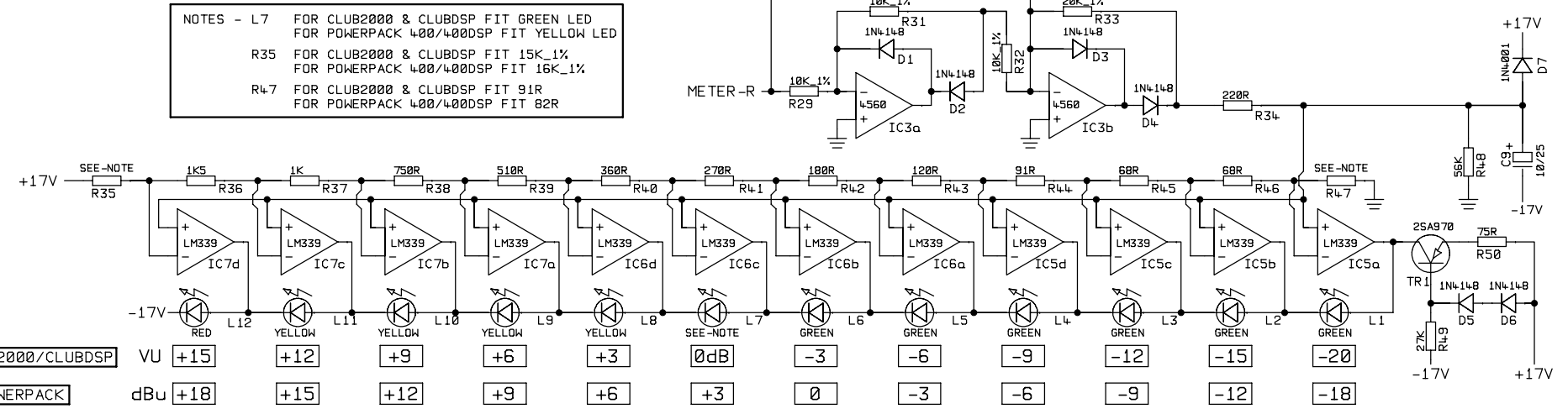


1	=	O/P	=	GRPB
2	=	O/P	=	GRPA
3	=	+17V		
4	=	+	=	GRPA
5	=	+	=	GRPB
6	=	+	=	GRPC
7	=	+	=	GRPD
8	=	+	=	GRPB
9	=	+	=	GRPC
10	=	+	=	GRPD
11	=	+	=	GRPD
12	=	-17V		
13	=	O/P	=	GRPD
14	=	O/P	=	GRPC

CLUB2000/CLUBDSP	VU	+15	+12	+9	+6	+3	0dB	-3	-6	-9	-12	-15	-20
POWERPACK	dBu	+18	+15	+12	+9	+6	+3	0	-3	-6	-9	-12	-18



NOTES - L7 FOR CLUB2000 & CLUBDSP FIT GREEN LED
 FOR POWERPACK 400/400DSP FIT YELLOW LED
 R35 FOR CLUB2000 & CLUBDSP FIT 15K_1%
 FOR POWERPACK 400/400DSP FIT 16K_1%
 R47 FOR CLUB2000 & CLUBDSP FIT 91R
 FOR POWERPACK 400/400DSP FIT 82R



1	=	O/P	=	GRPB
2	=	O/P	=	GRPA
3	=	+17V		
4	=	+	=	GRPA
5	=	+	=	GRPA
6	=	+	=	GRPB
7	=	+	=	GRPB
8	=	+	=	GRPC
9	=	+	=	GRPC
10	=	-17V		
11	=	+	=	GRPD
12	=	-17V		
13	=	O/P	=	GRPD
14	=	O/P	=	GRPC

REV B - FOR POWERPACK 400 & 400DSP CHANGE
 L7 FROM GREEN TO YELLOW
 R35 FROM 15K_1% TO 16K_1%
 R47 FROM 91R TO 82R

REV A - C1 FROM 47P TO 100P

GROUP A		GROUP B		
1	=	8	=	+17V
2	=	7	=	O/P
3	=	6	=	+
4	=	5	=	-17V

NOTE - ALL RESISTORS ARE 0.125W TYPE
 0dB_T = +4dBu

STUDIOMASTER DIAMOND LTD

PRODUCT: LOGIC 12
 CLUB2000
 CLUBDSP
 POWERPACK

MODEL: ALL
 ALL
 ALL
 400 400DSP

TITLE: RIGHT OUTPUT

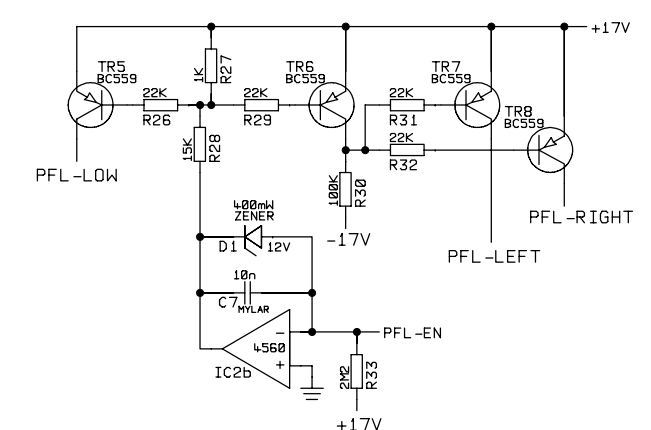
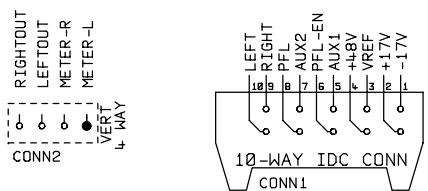
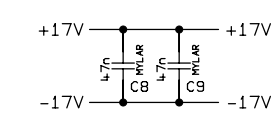
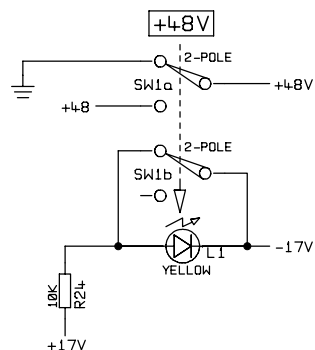
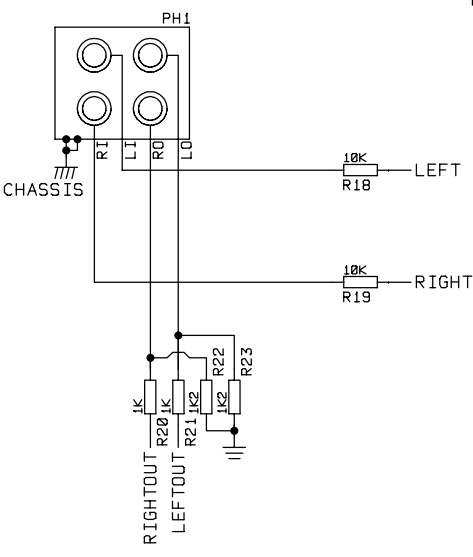
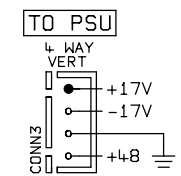
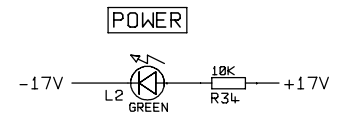
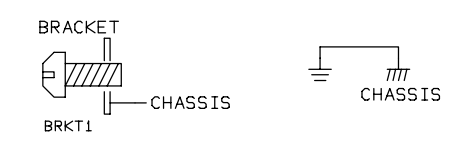
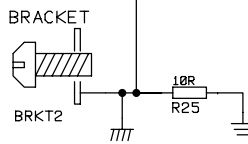
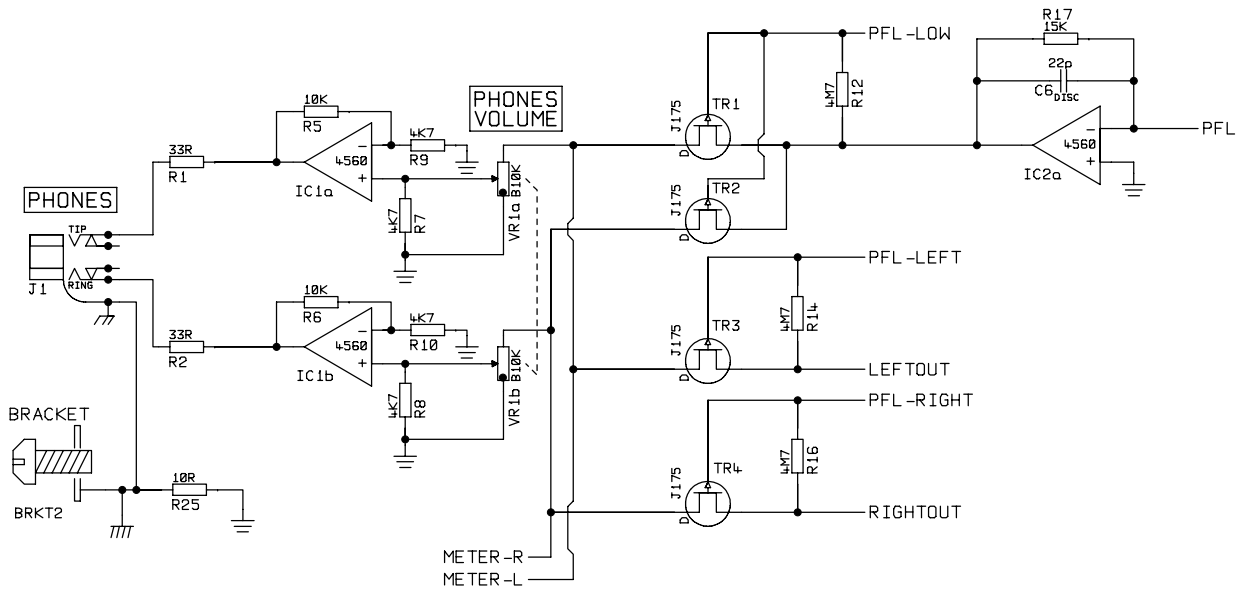
PART 1 OF 1

DRN BY: P.A. DATE: 04-03-99

FILE NAME: R7C4-4.DGM

ISSUE No: **9607047-4**

REV B



PIN OUTS FOR ALL OPAMPS

GROUP A	GROUP B
1 = O/P	8 = +17V
2 = -	7 = O/P
3 = +	6 = -
4 = -17V	5 = +

NOTE - ALL RESISTORS ARE 0.125W TYPE APART FROM - R11, R13, R15 R31, R35
 0dB = +4dBu

STUDIOMASTER DIAMOND LTD

PRODUCT	MODEL
LOGIC 12	ALL
CLUB2000	ALL
CLUBDSP	ALL
POWERPACK	400 400DSP

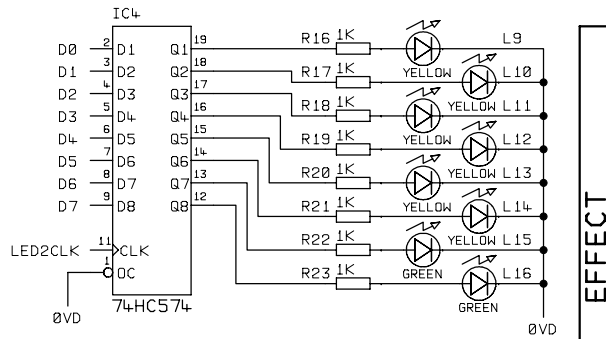
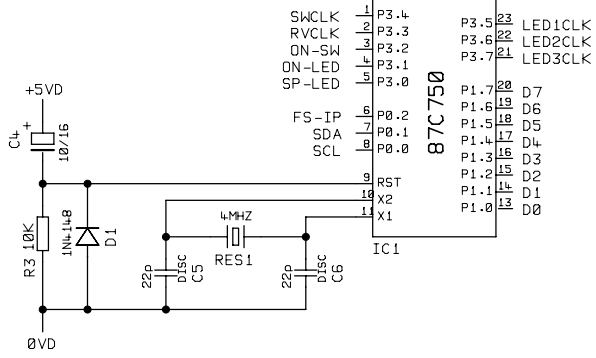
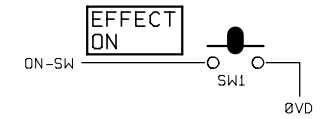
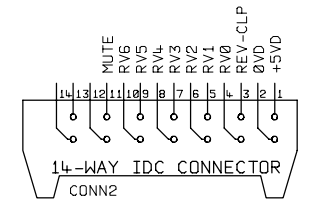
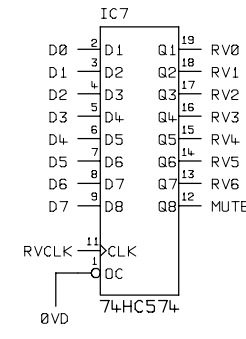
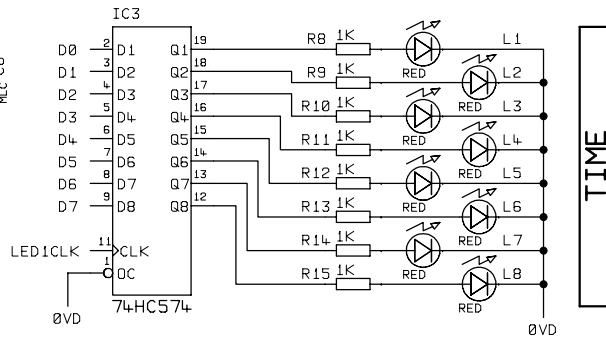
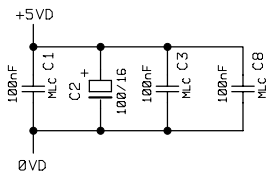
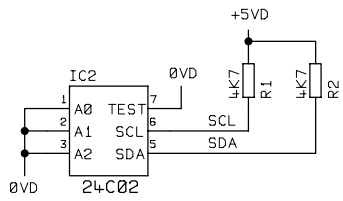
TITLE MONITOR OUTPUT

PART 1 OF 1

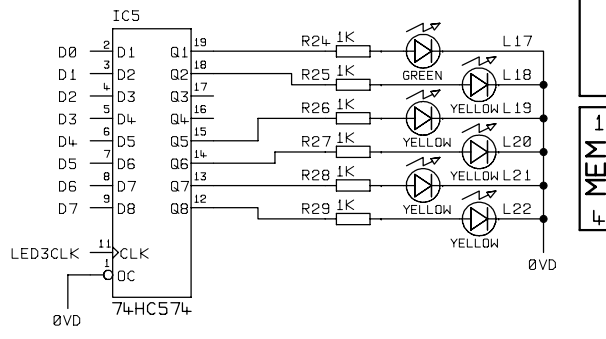
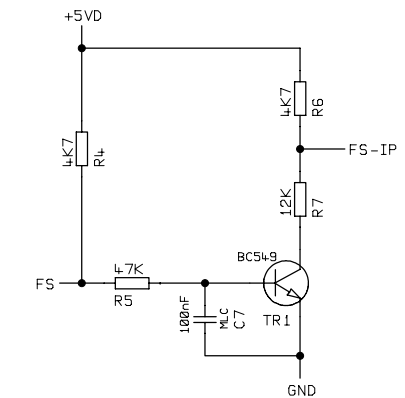
DRN BY P.A. DATE 03-11-98

FILE NAME R7C5-2.DGM

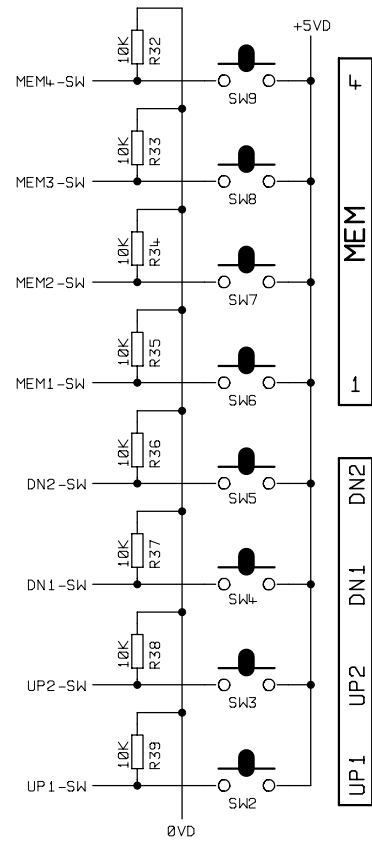
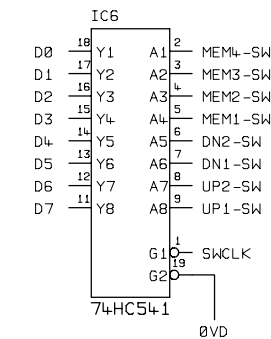
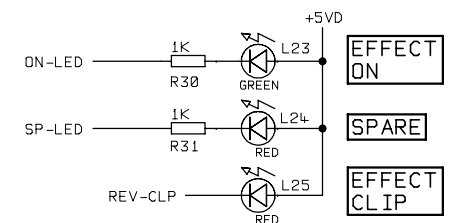
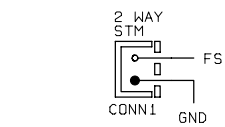
ISSUE No 9607048-2



EFFECT



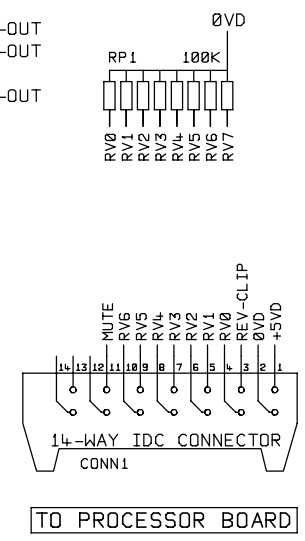
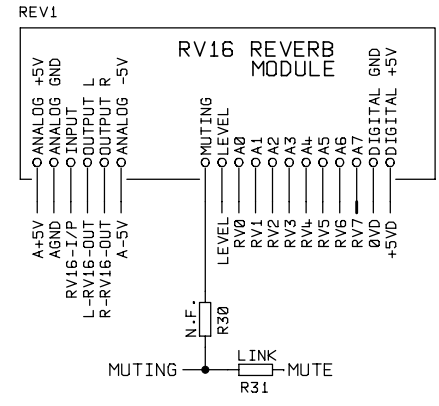
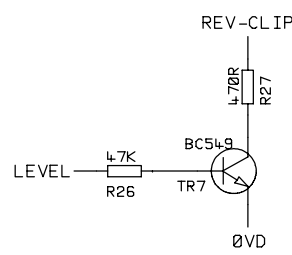
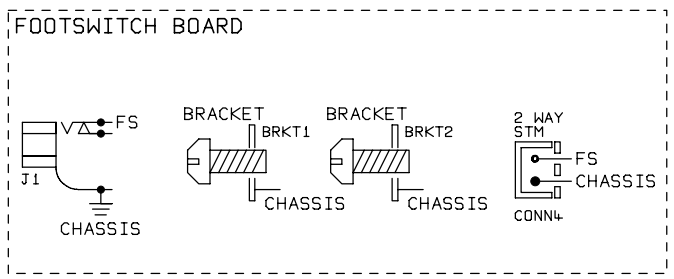
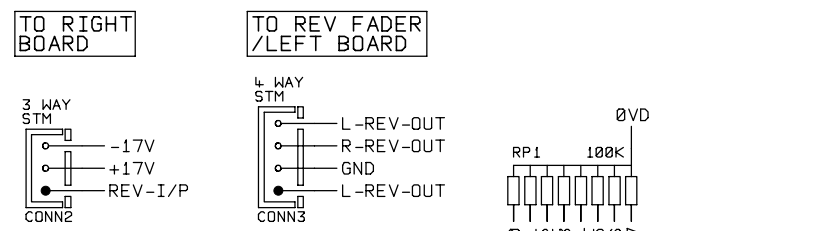
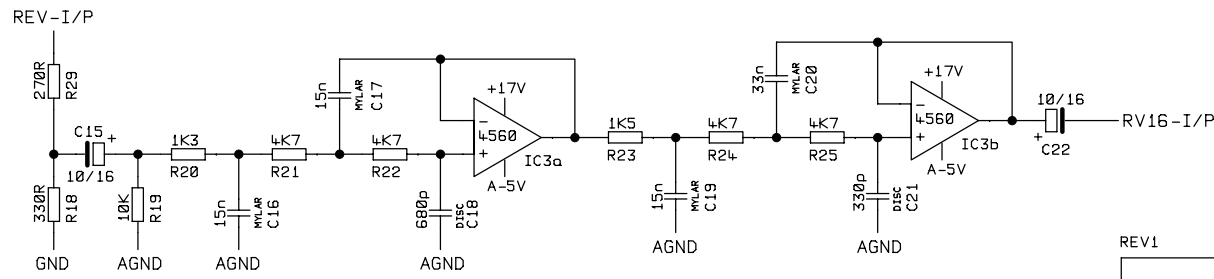
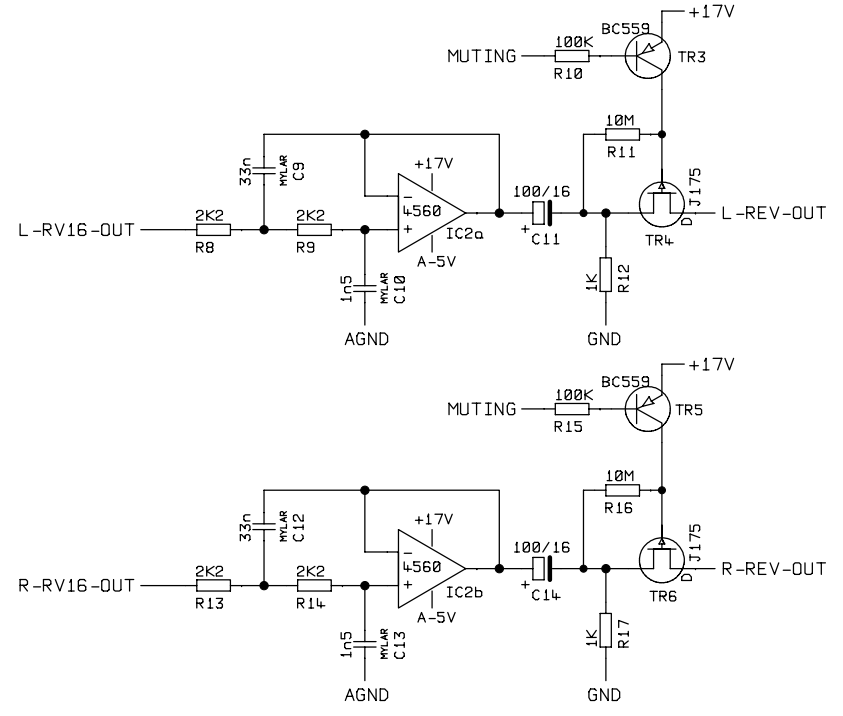
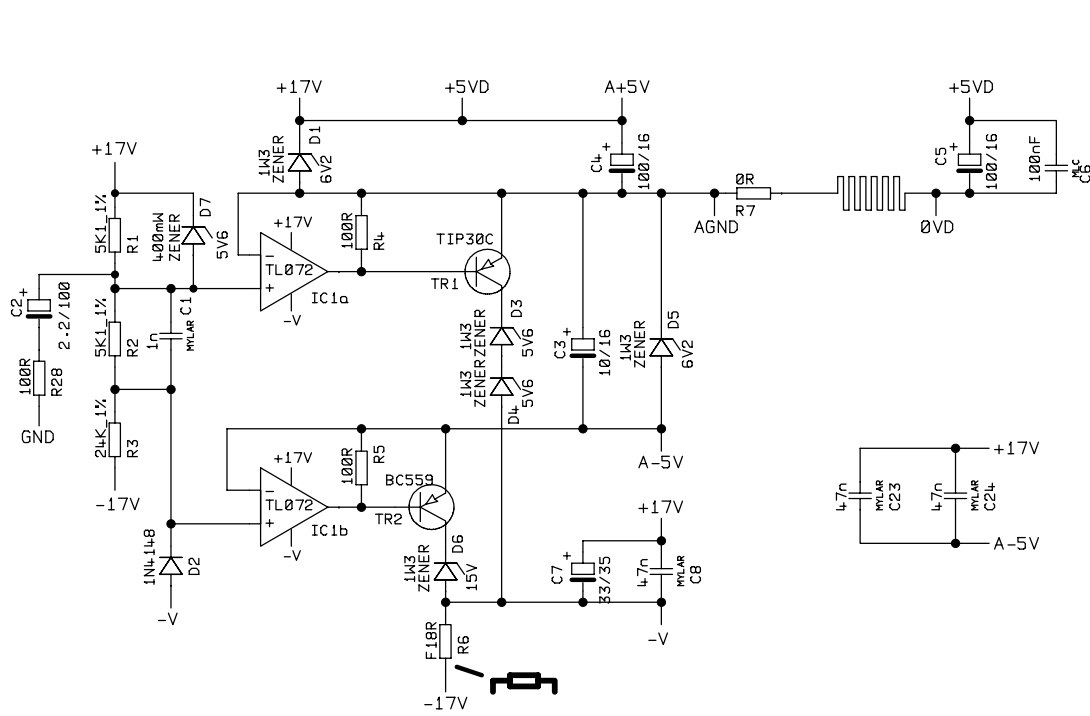
MEM 1



MEM 1

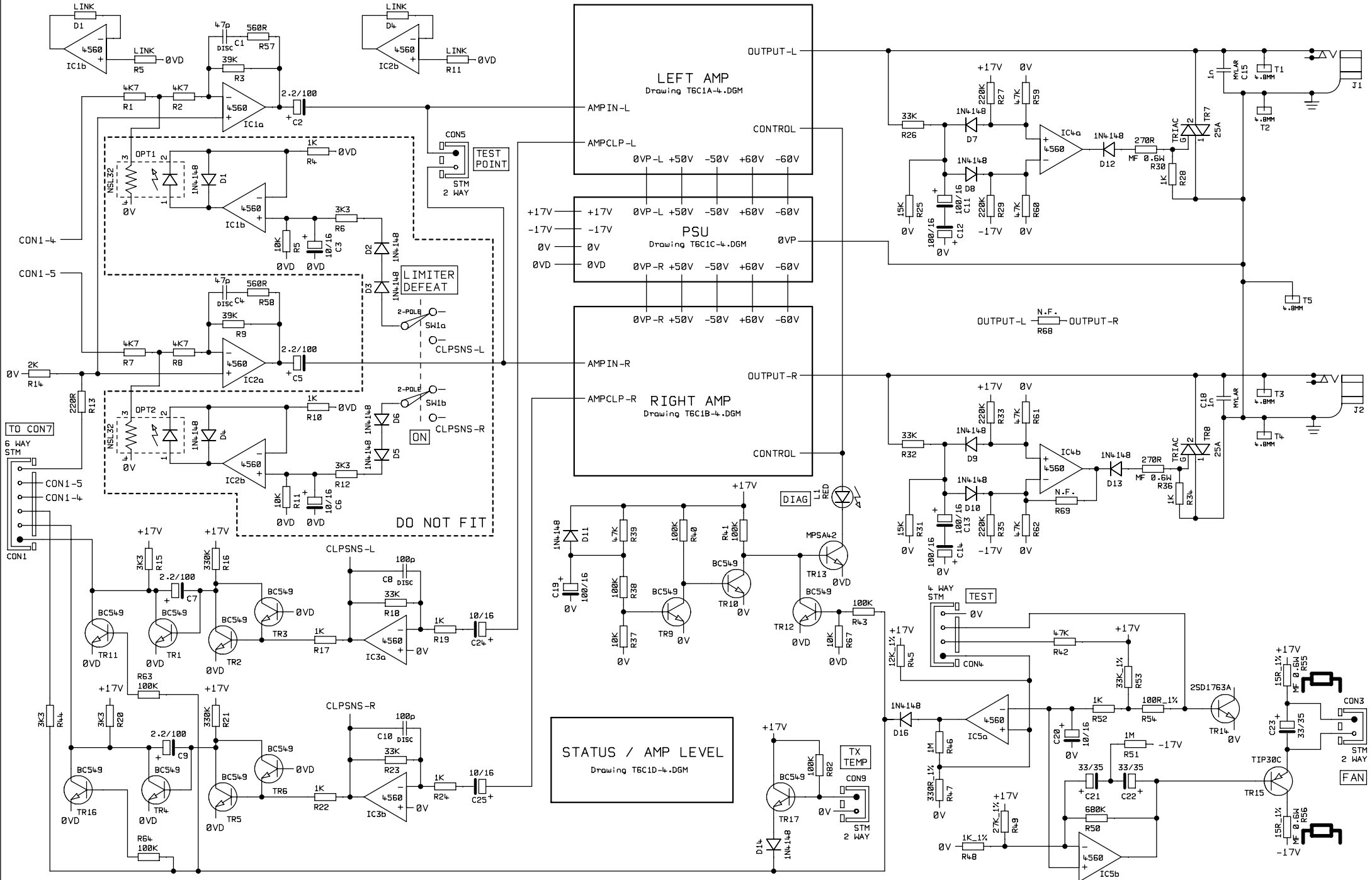
NOTE - ALL RESISTORS ARE 0.125W TYPE
 NOTE - LED1 TO LED23 and LED25 ARE TO BE FITTED WITH SPACERS

STUDIOMASTER DIAMOND LTD		TITLE	PROCESSOR / CONTROL SCHEMATIC		FILE NAME
PRODUCT	CLUB DSP (T1)	PART 1 OF 1			T1C1-3.DGM
VERSIONS		DRN BY	P.A.	DATE	15-12-97



STUDIOMASTER DIAMOND LTD		TITLE	REVERB INTERFACE SCHEMATIC		FILE NAME	T1C2-3.DGM	
PRODUCT	CLUB DSP (T1)	PART 1 OF 1			ISSUE No		
VERSIONS		DRN BY	P.A.	DATE	31-03-98		
					Rev A		

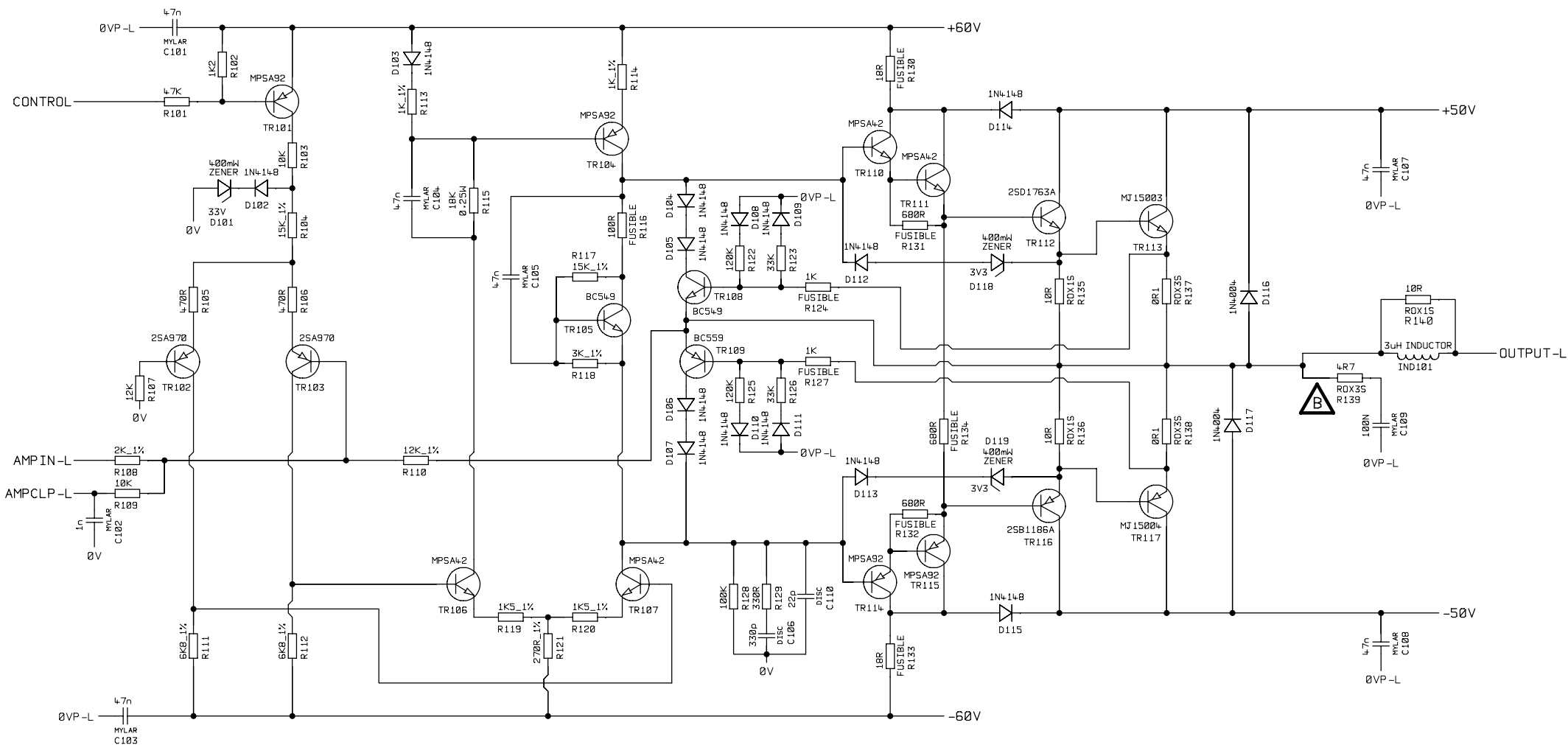
= FIT COMPONENT WITH BODY 3MM OFF BOARD



= STAND RESISTORS 3MM OFF BOARD

REV D = R30,R31 CHANGED FROM 0.125W TO 0.6W (24-0999)
 REV C = SEE T6C1C-4 FOR DETAILS
 REV B = R55,R56 TO BE SPACED OFF BOARD BY 3MM
 REV A = JACK SOCKETS J1, J2 CHANGED FROM SPECIAL NOSE TO FULL THREAD
 † = C2,C5 FROM 100/16 TO 2.2/100, CON1,CON2 FROM 2X3WAY TO 1X6WAY, TX TEMP CCT CHANGED, R27,R29,R33,R35 CHANGED FROM 100K TO 220K, J1,J2 FROM STEREO TO MONO, BRKT1,BRKT2 DELETED, T5 ADDED, CON5 FROM HDR TO STM

STUDIOMASTER DIAMOND LTD		TITLE		FILE NAME T6C1-4.DGM	
PRODUCT	POWERPACK			ISSUE No T6C1-4	
VERSIONS	400 400DSP	DRN BY	P.A.	DATE	16-09-1999
				PCBUT832	REV D



Parent T6C1-4.DGM

B = SPACE OFF BOARD USING CERAMIC SPACER

REV D = R115 CHANGED FROM 0.125W TO 0.25W (240999)
 REV C = SEE T6C1C-4 FOR DETAILS
 REV B = R139 TO BE SPACED OFF BOARD USING HRDLH052 CERAMIC SPACERS
 REV A = NO CHANGES ON SCHEMATIC
 4 = NO CHANGES ON SCHEMATIC

STUDIOMASTER DIAMOND LTD

TITLE LEFT AMP

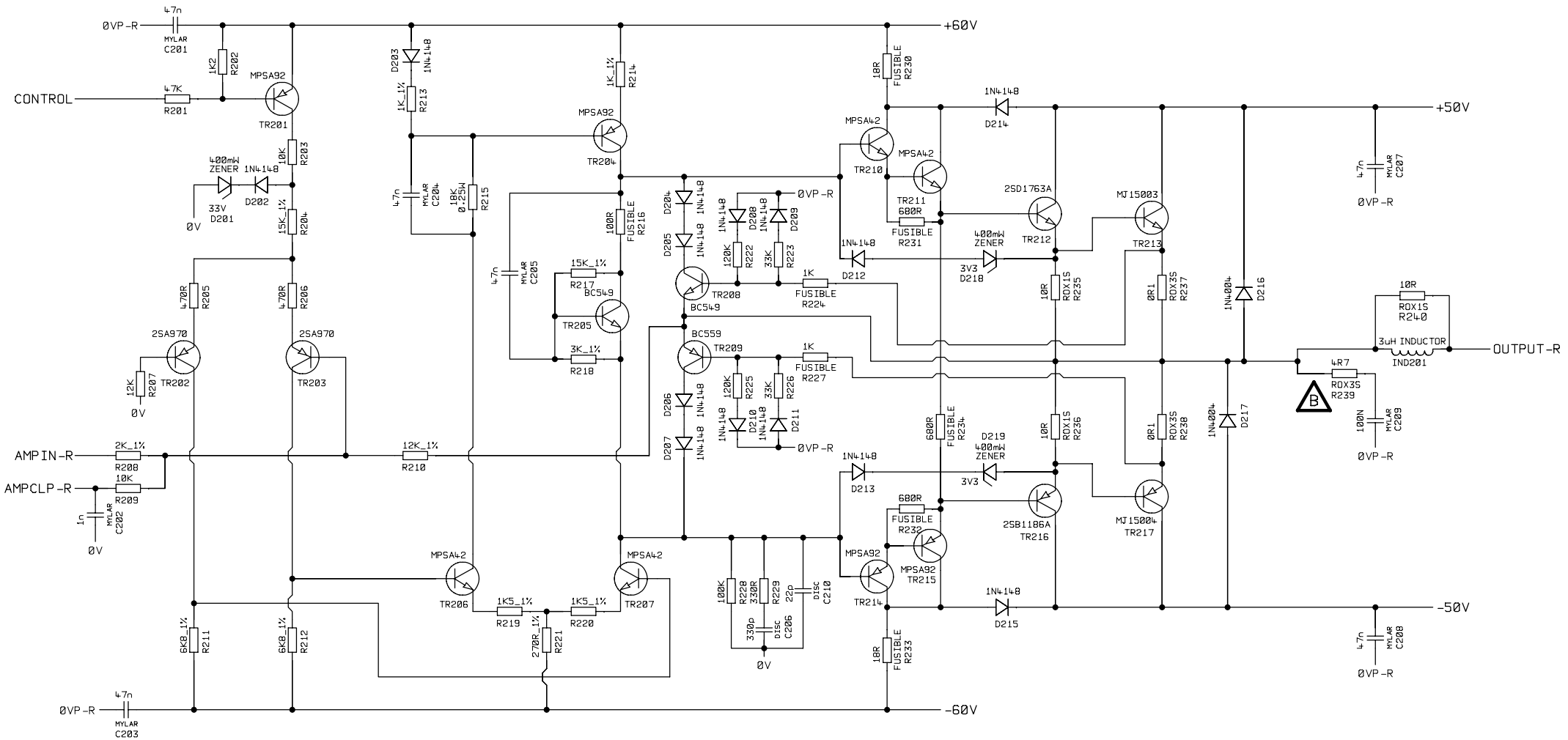
FILE NAME T6C1A-4.DGM

PRODUCT POWERPACK

ISSUE No
T6C1A-4 REV D
 PCBUT832

VERSIONS 200 400 400DSP

DRN BY P.A. DATE 16-09-1999



Parent T6C1-4.DGM = SPACE OFF BOARD USING CERAMIC SPACER

REV D = R215 CHANGED FROM 0.125W TO 0.25W (24-0999)
 REV C = SEE T6C1C-4 FOR DETAILS
 REV B = R239 TO BE SPACED OFF BOARD USING HRDLH052 CERAMIC SPACERS
 REV A = NO CHANGES ON SCHEMATIC
 4 = NO CHANGES ON SCHEMATIC

STUDIOMASTER DIAMOND LTD

TITLE RIGHT AMP

FILE NAME T6C1B-4.DGM

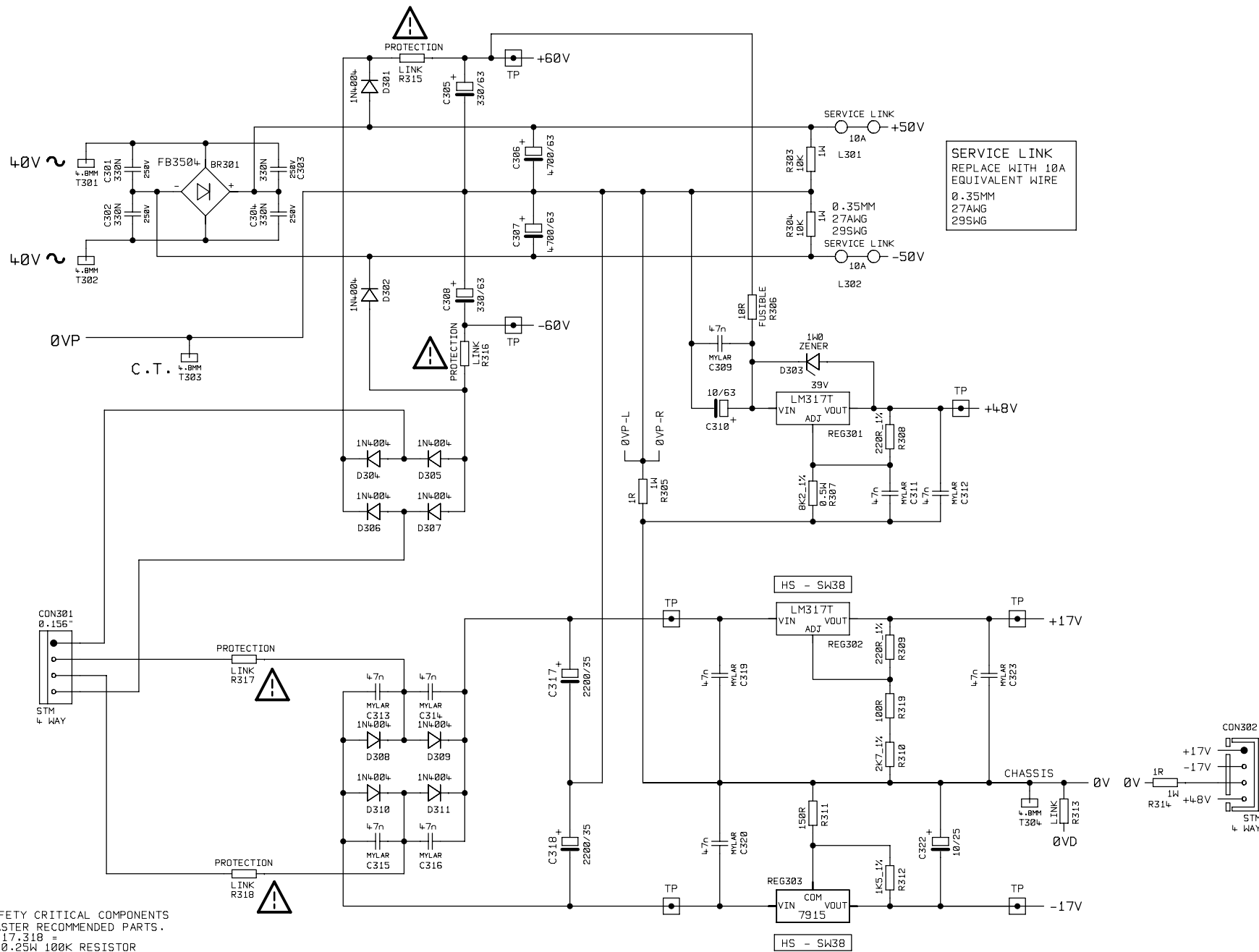
PRODUCT POWERPACK

ISSUE No T6C1B-4 REV D

VERSIONS 400 400DSP

DRN BY P.A. DATE 16-09-1999

PCBUT832



Parent T6C1-4.DGM

REV C = R307 CHANGED FROM 8K2 1% 0.125W TO 8K2 1% 0.5W
 REV B = SEE T6C1, T6C1A, T6C1B FOR DETAILS
 REV A = R315, R316, R317, R318 CHANGED FROM 0R22 FUSIBLE TO PROTECTION LINK
 SAFETY CRITICAL MARKINGS ADDED TO SCHEMATIC
 * = C317, C318 CHANGED FROM 1000/35 TO 2200/35, C321 10/25, C324 4.7N DELETED
 REG302 & REG303 HEATSINKS CHANGED FROM HS-DF750 TO REDPOINT SW38 TYPE
 R315 & R316 CHANGED FROM 0R47 FUSIBLE TO 0R22 FUSIBLE
 C305 & C308 CHANGED FROM 220/63 TO 330/63

STUDIOMASTER DIAMOND LTD

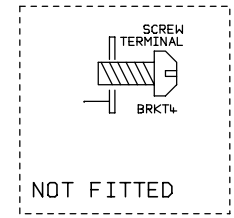
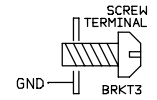
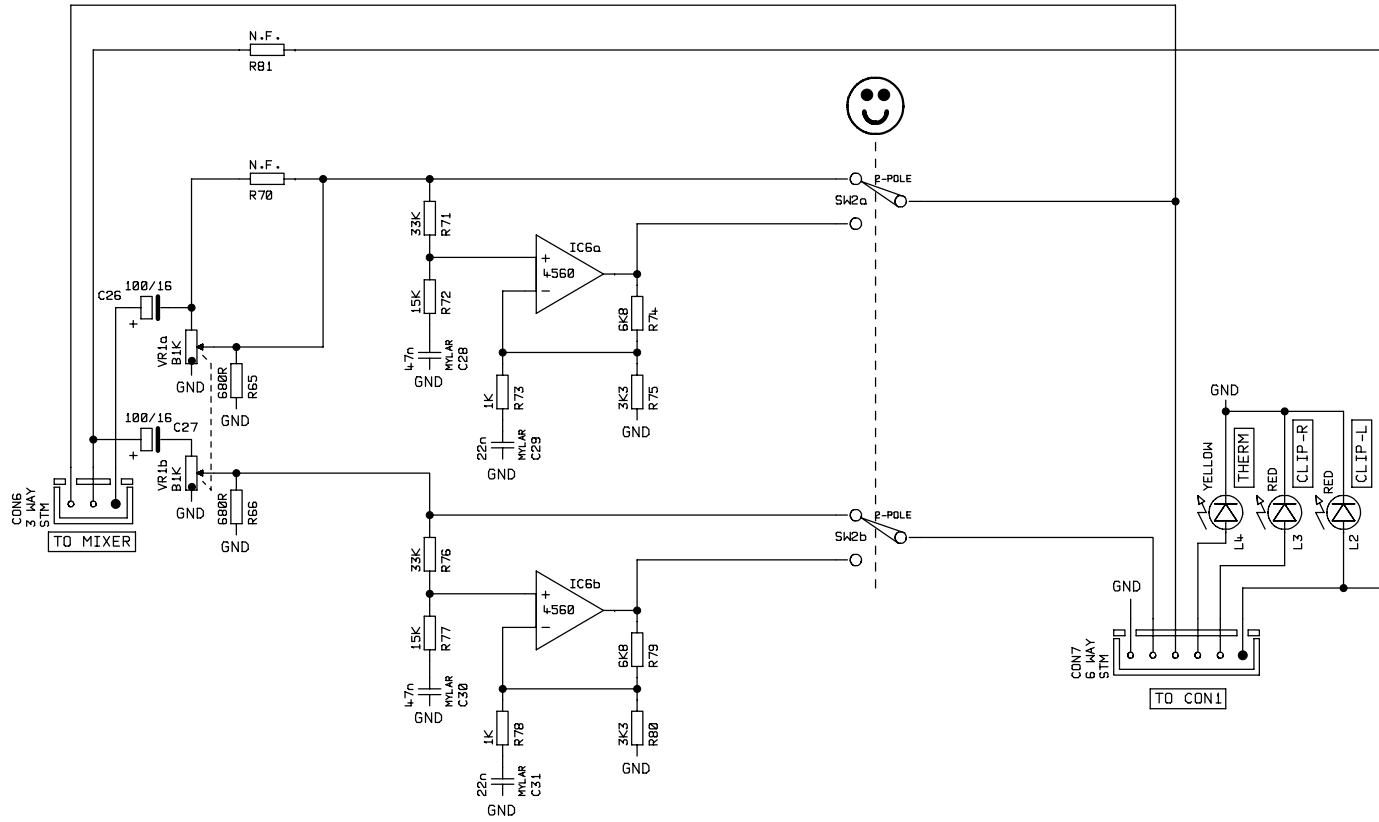
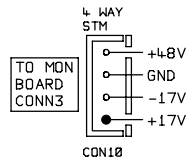
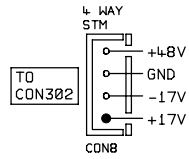
TITLE PSU

FILE NAME T6C1C-4.DGM

PRODUCT POWERPACK
 VERSIONS 400 400DSP

DRN BY P.A.
 DATE 16-09-1999

ISSUE No
T6C1C-4 REV
 PCBUT832 C



Parent t6c1-4.dgm

REV C = SEE T6C1C-4 FOR DETAILS
 REV B = SEE T6C1, T6C1A, T6C1B FOR DETAILS
 REV A = NO CHANGES ON SCHEMATIC

4 = R81 N.F. ADDED, CON6 CHANGED TO 3-WAY. TRACK ADDED FROM PIN3 OF CON6 TO PIN4 OF CON7

STUDIOMASTER DIAMOND LTD

TITLE

STATUS / AMP LEVEL CCT

FILE NAME
T6C1D-4.DGM

PRODUCT

POWERPACK

ISSUE No
T6C1D-4 REV
PCBUT832 C

VERSIONS

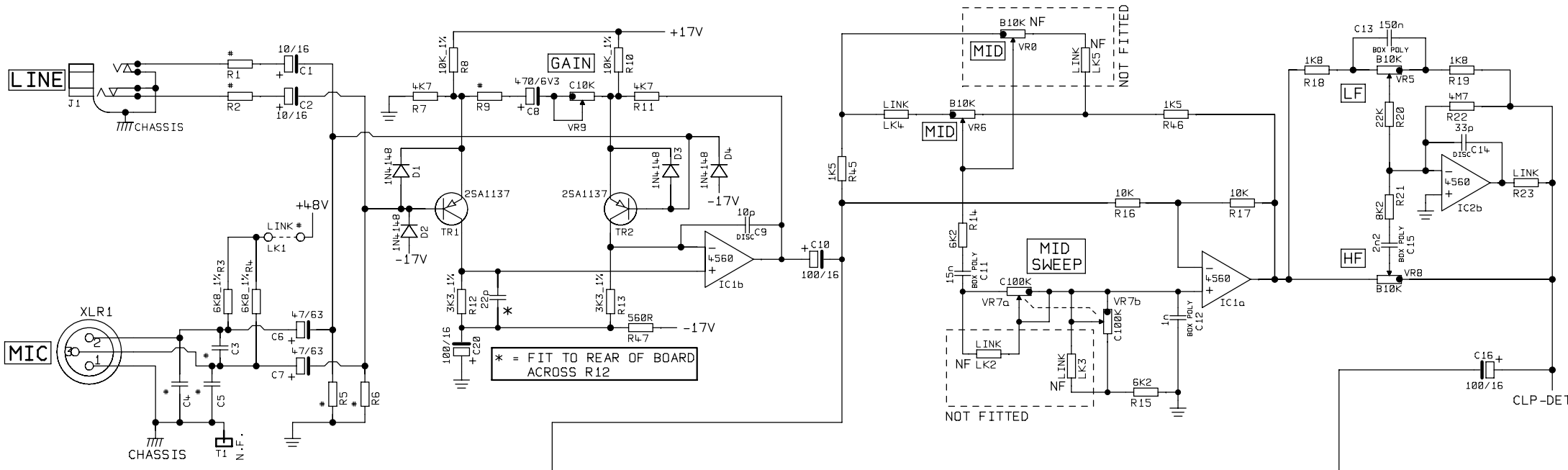
400 400DSP

DRN BY

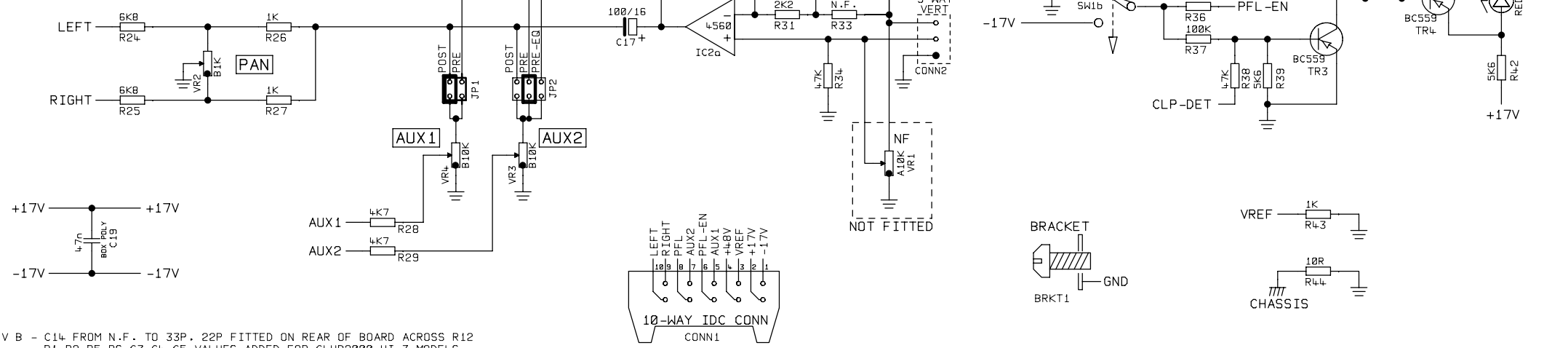
P.A.

DATE

16-09-1999



	CLUB2000 / CLUBDSP	POWERPACK	CLUB2000 HI Z PLUS
R1, R2	9K1	4.3K	18K_1%
R5, R6	1K2	18K	3K_1%
C3	1n MYLAR	330p CER	100p CER
C4, C5	1n MYLAR	330p CER	4.70p CER
R9	12R	39R	12R



REV B - C14 FROM N.F. TO 33P, 22P FITTED ON REAR OF BOARD ACROSS R12
 R1,R2,R5,R6,C3,C4,C5 VALUES ADDED FOR CLUB2000 HI Z MODELS
 MYLAR CAPACITORS CHANGED TO BOX POLY TYPE

REV A - R1 & R2 FROM 4.7K TO 4.3K FOR PP, R5 & R6 FROM 15K TO 10K FOR PP,
 R9 FROM 12R TO 39R FOR PP

PIN OUTS FOR ALL OPAMPS

GROUP A	GROUP B
1 = O/P	8 = +17V
2 = -	7 = O/P
3 = +	6 = -
4 = -17V	5 = +

NOTE - ALL RESISTORS ARE 0.125W TYPE APART FROM - R3, R4, R8 R10, R12, R13 (THESE ARE 0.25W 1% CROSTER TYPE)

STUDIOMASTER DIAMOND LTD		TITLE		MONO INPUT		FILE NAME	
PRODUCT		PART 1 OF 1		DATE		R7C1-2.DGM	
CLUB2000		DRN BY		25-06-99		ISSUE No	
CLUBDSP		P.A.		REV B		9607044-2	
POWERPACK		DATE		25-06-99		REV B	
MODEL		DATE		25-06-99		REV B	
ALL		DATE		25-06-99		REV B	
ALL		DATE		25-06-99		REV B	
400 400DSP		DATE		25-06-99		REV B	