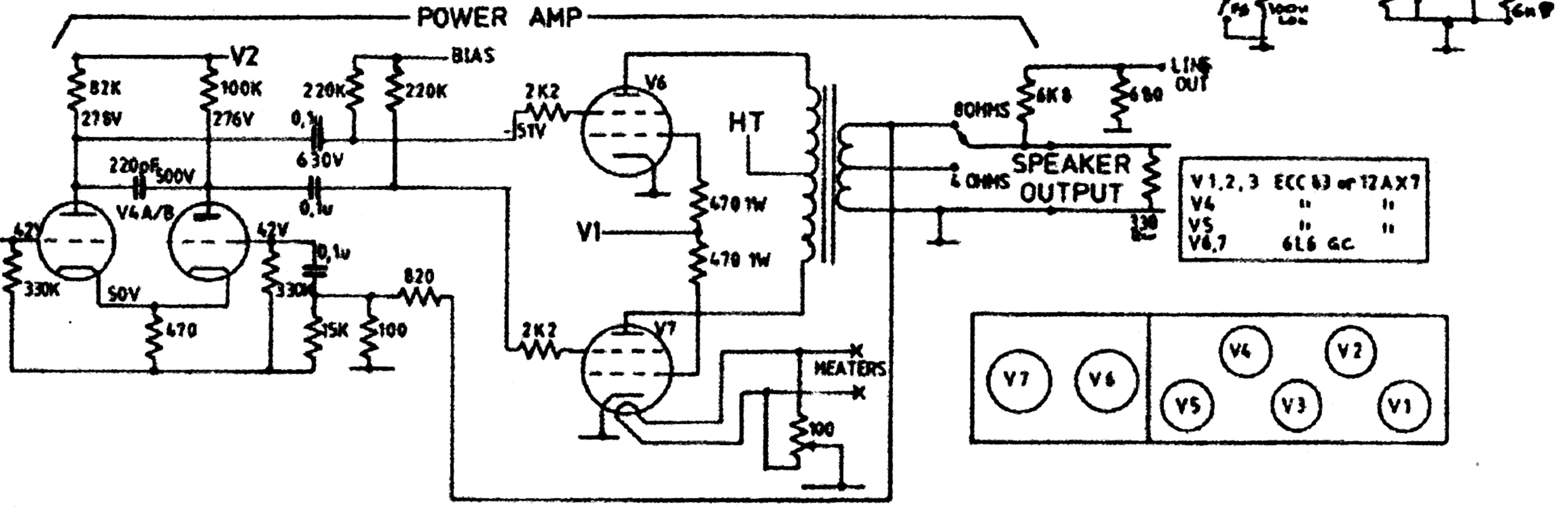
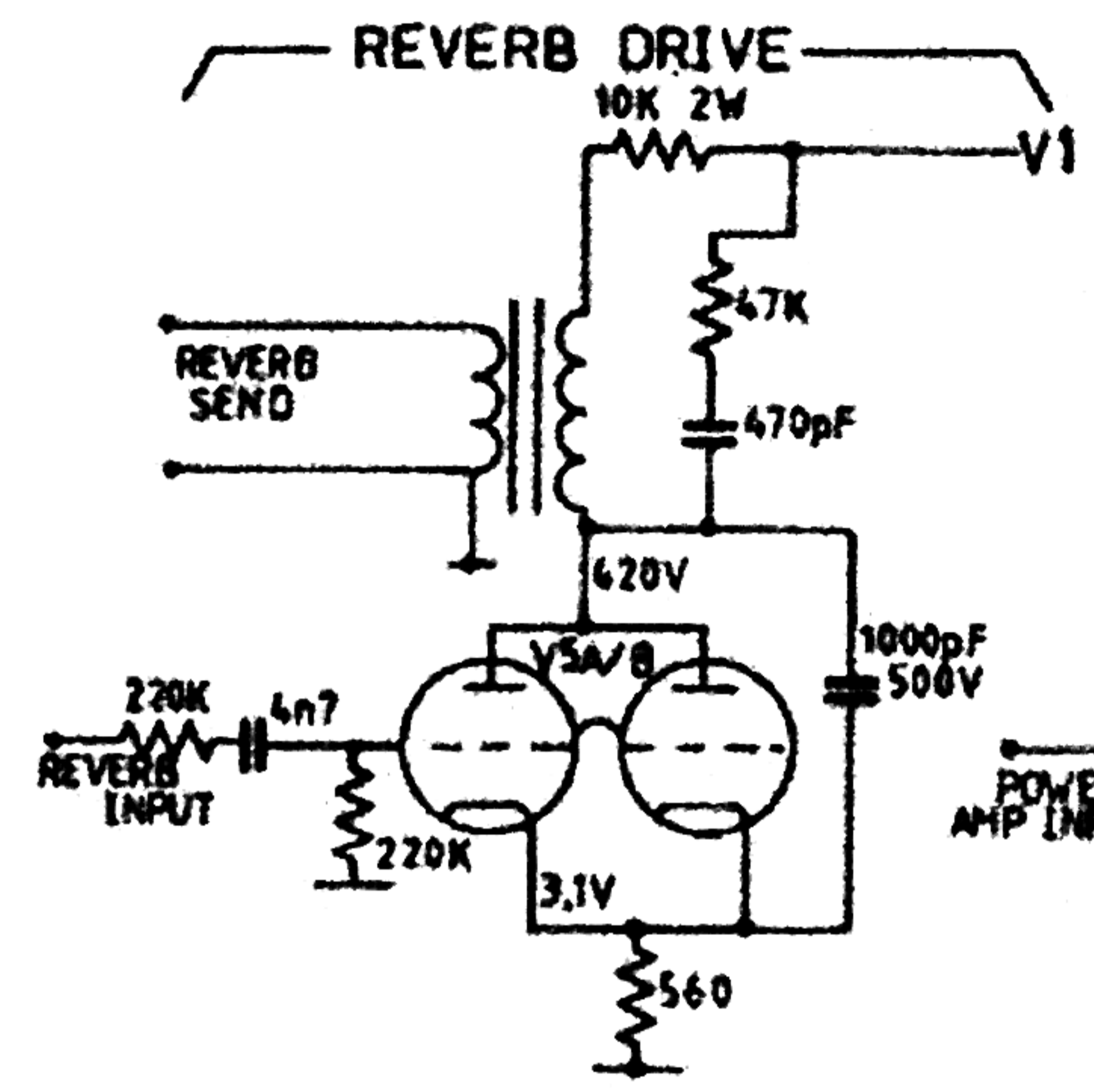


**STUDIOMASTER VALVE LEADMETER**  
SM600-C1-3



V1, 2, 3	ECC 83 or 12AX7
V4	"
V5	"
V6, 7	6L6 GC

