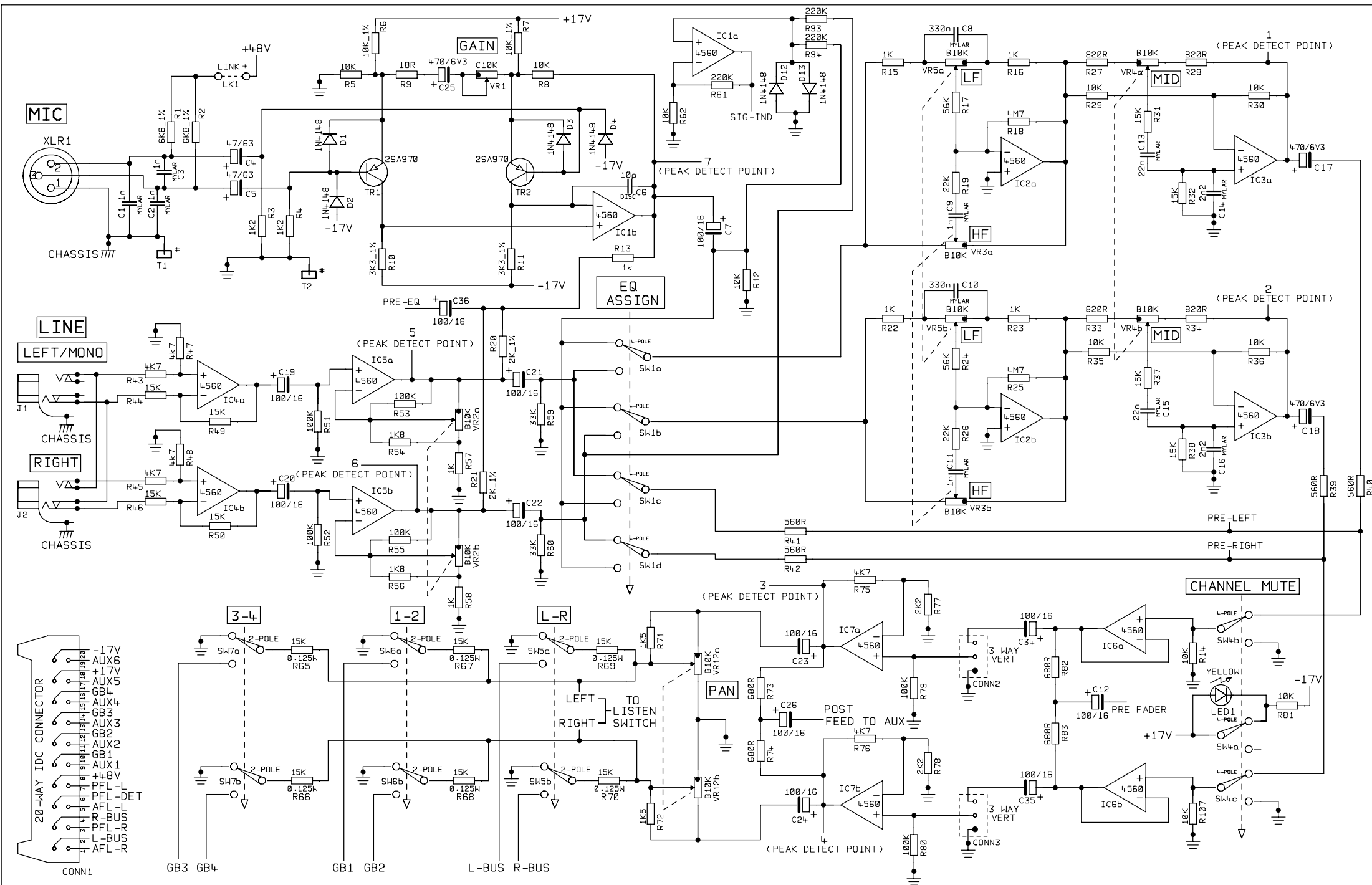


STUDIOMASTER DIAMOND LTD		TITLE	MONO INPUT CIRCUIT		FILE NAME
PRODUCT	TRILOGY (R3)	PART 1 OF 1			R3C1-3.DGM
VERSIONS		DRN BY	P.A.	DATE	08-11-96
					ISSUE No
					9603031-2
					PCBUSP81

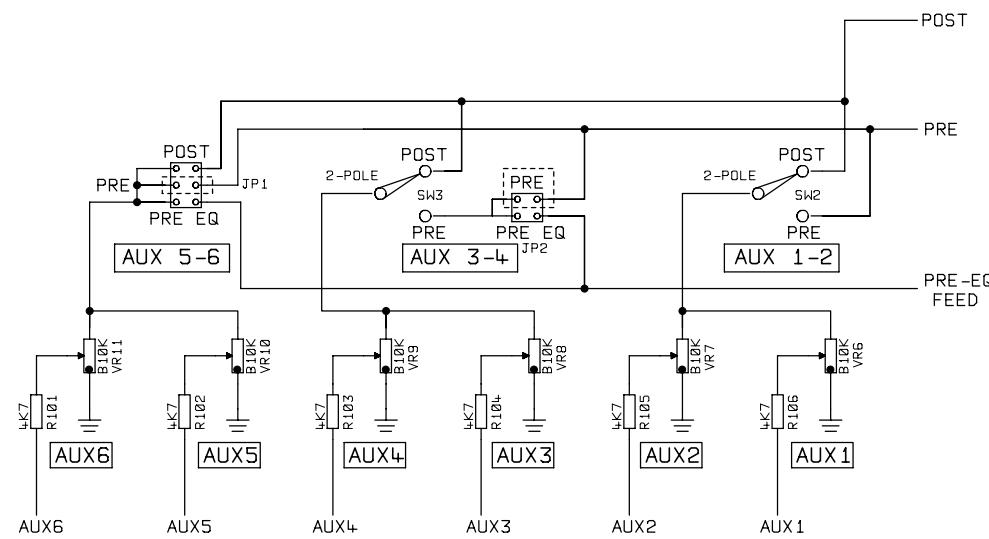
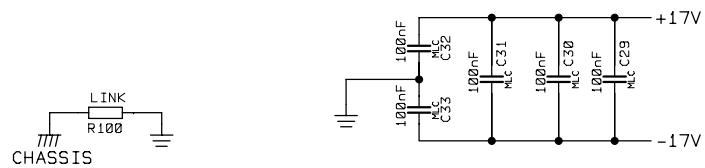
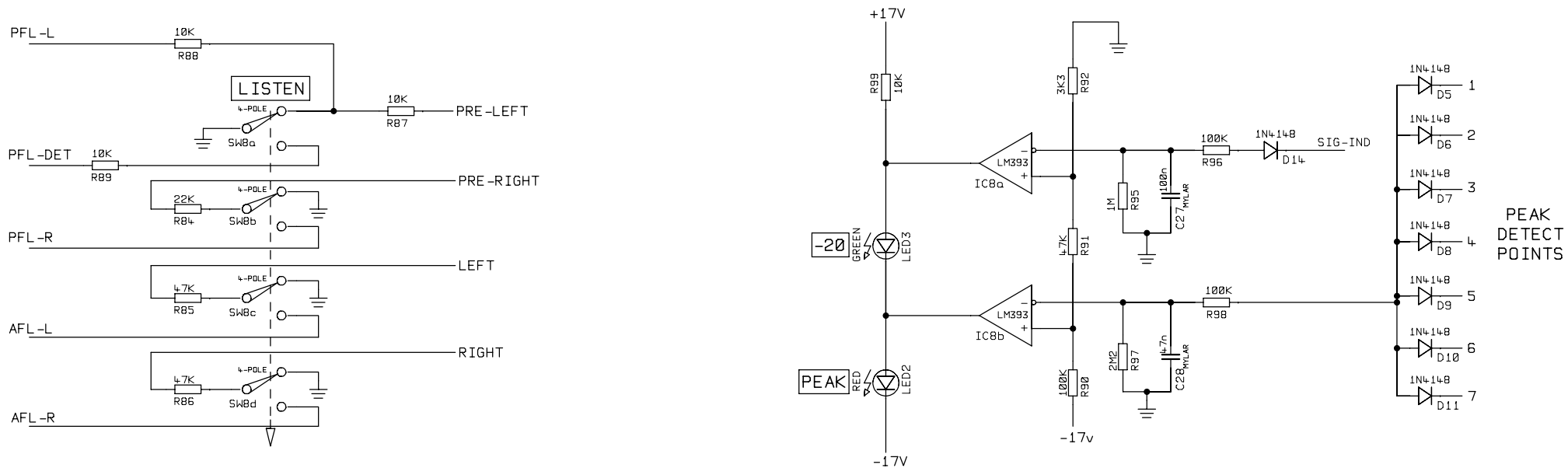


PIN OUTS FOR ALL OPAMPS + LM393	
GROUP A	GROUP B
1 = 0/P	8 = +17V
2 = -	7 = 0/P
3 = +	6 = -
4 = -17V	5 = +

STUDIOMASTER DIAMOND LTD	
PRODUCT	TRILOGY (R3)
VERSIONS	

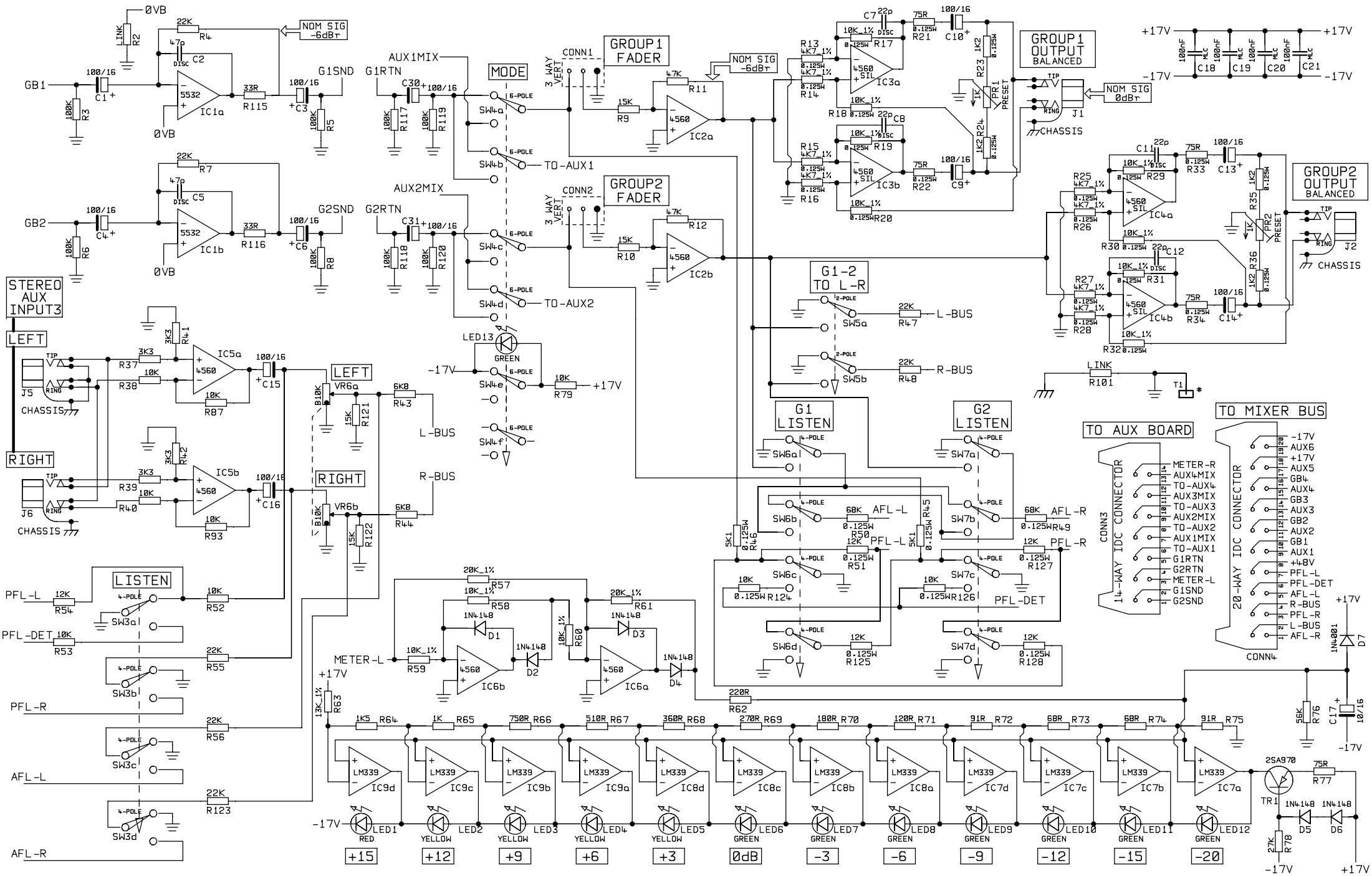
TITLE	STEREO INPUT CIRCUIT
PART 1 OF 2	
DRN BY	P.A.
DATE	03-09-96

FILE NAME	R3C2A-3.DGM
ISSUE No	
	9603032-1
	REV - 1



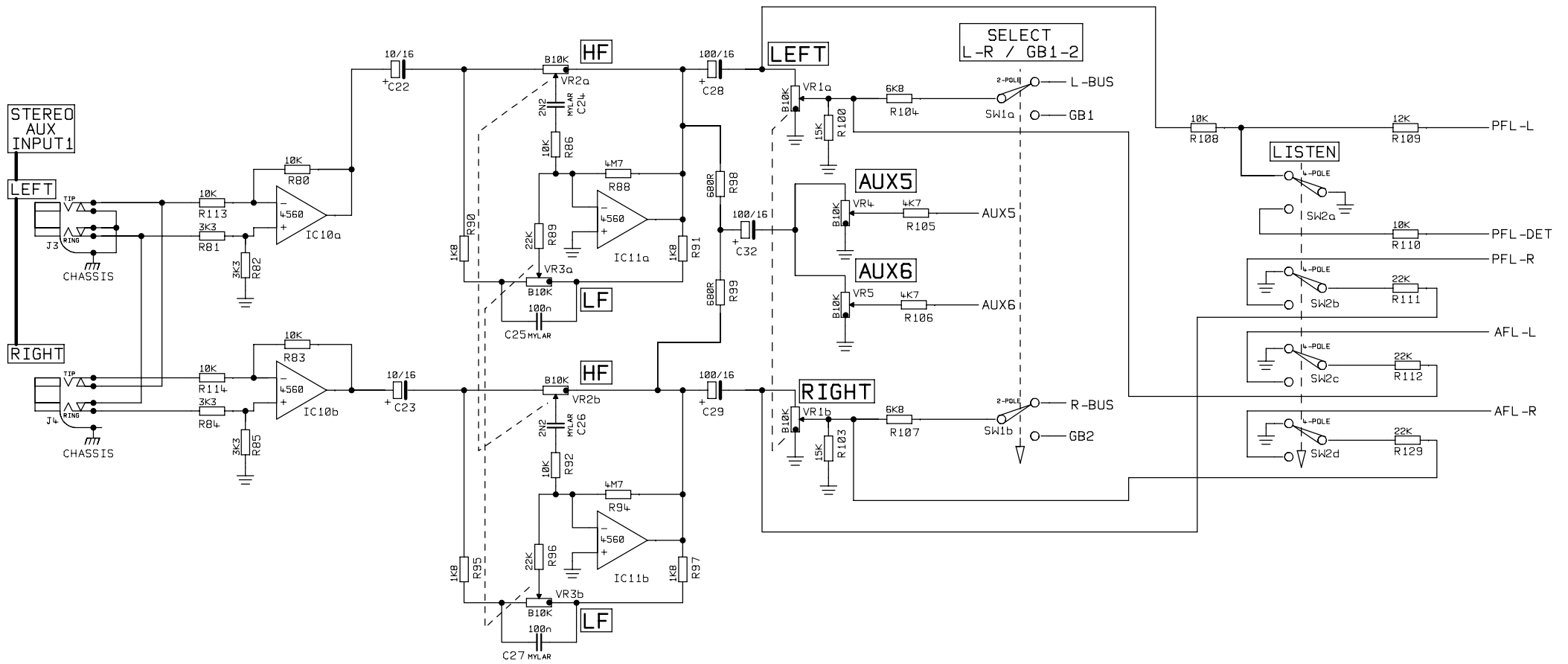
REV-2: R85.86 CHANGED FROM 22K TO 4.7K

PIN OUTS FOR ALL OPAMPS + LM393 GROUP A GROUP B 1 = O/P 8 = +17V 2 = - 7 = O/P 3 = + 6 = - 4 = -17V 5 = +		STUDIOMASTER DIAMOND LTD PRODUCT TRILOGY (R3) VERSIONS		TITLE STEREO INPUT CIRCUIT PART 2 OF 2 DRN BY P.B. DATE 12-2-97		FILE NAME R3C2B-3.DGM ISSUE No 9603032-1 REV - 2	
---	--	--	--	--	--	--	--



0dB_r = +4dB_u

STUDIOMASTER DIAMOND LTD		TITLE	LEFT OUTPUT BOARD		FILE NAME	R3C3A-2.DGM
PRODUCT	TRILOGY R3	PART 1 OF 2		ISSUE No	9603033-1	
VERSIONS		DRN BY	P.A.	DATE	03-09-96	
					REV	- 1



STUDIOMASTER DIAMOND LTD

TITLE

LEFT OUTPUT BOARD

FILE NAME
R3C3B-2.DGM

PRODUCT

TRILOGY R3

PART 2 OF 2

ISSUE No

VERSIONS

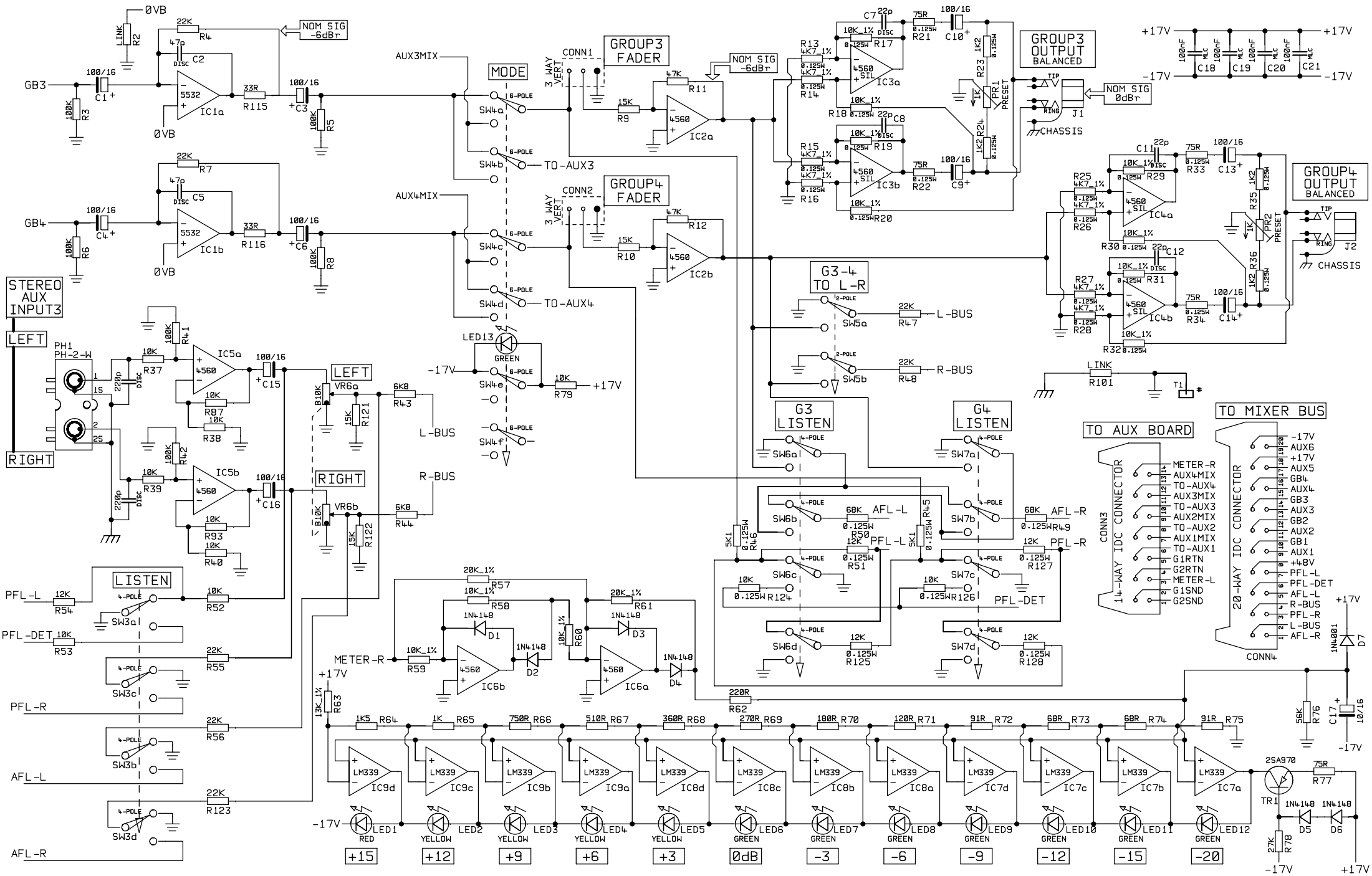
DRN BY

P.A.

DATE

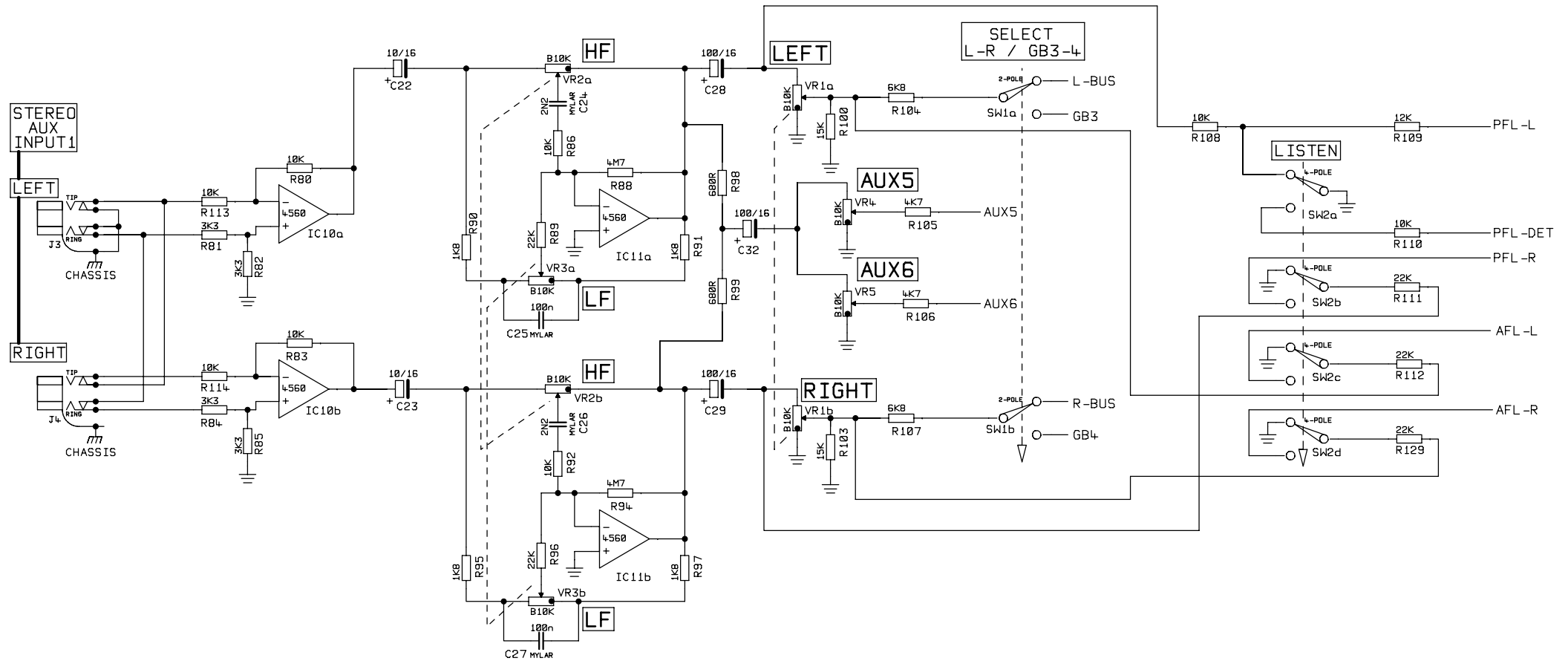
03-09-96

9603033-1
REV - 1



0dB_r = +4dB_u

STUDIOMASTER DIAMOND LTD		TITLE	RIGHT OUTPUT BOARD		FILE NAME	R3C4A-2.DGM
PRODUCT	TRILOGY R3	PART 1 OF 2		ISSUE No		
VERSIONS		DRN BY	P.A.	DATE	03-09-96	9603034-1 REV - 1



STUDIOMASTER DIAMOND LTD

TITLE RIGHT OUTPUT BOARD

FILE NAME R3C4B-2.DGM

PRODUCT

TRIOLOGY R3

PART 2 OF 2

ISSUE No

VERSIONS

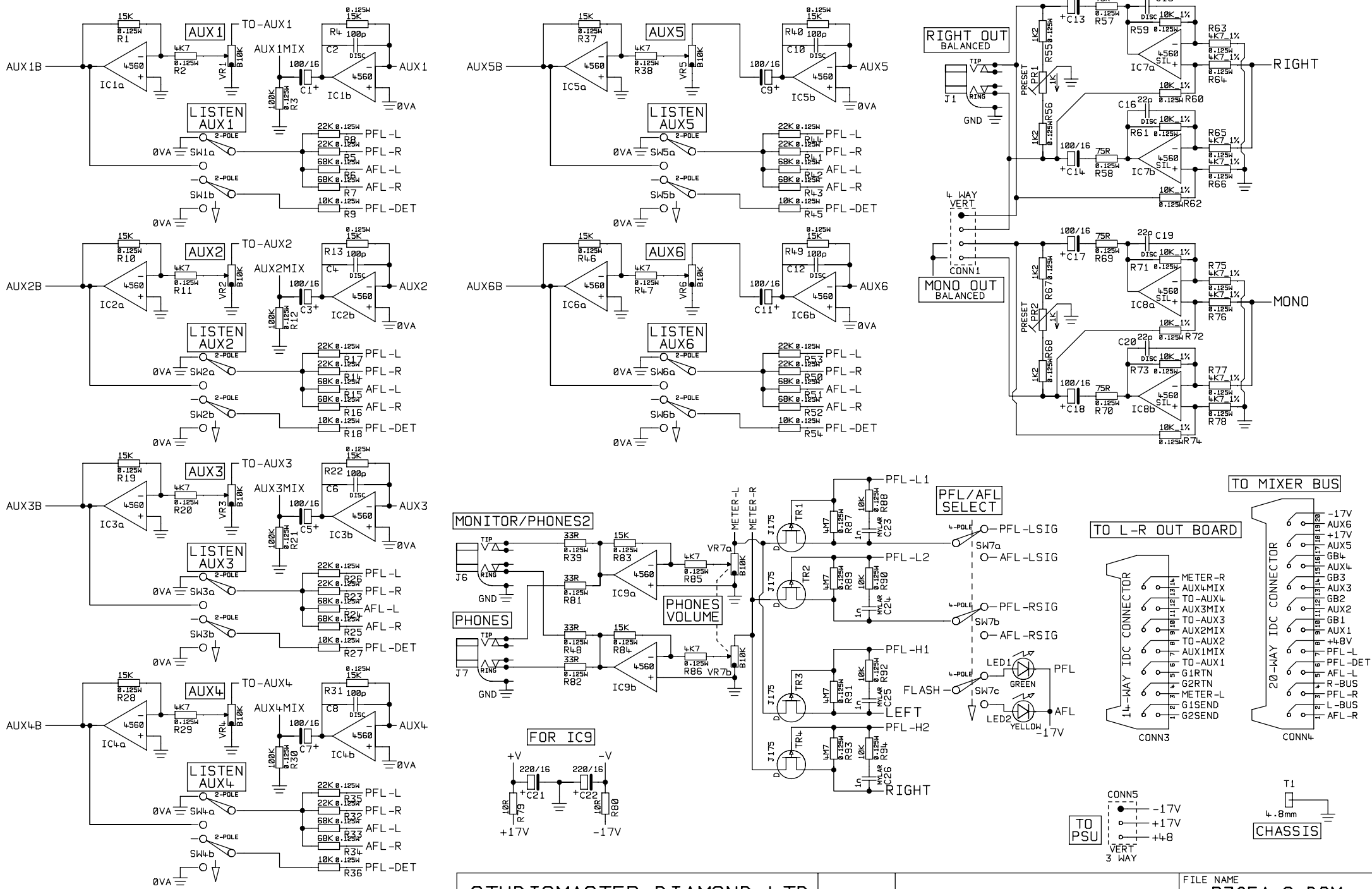
DRN BY

P.A.

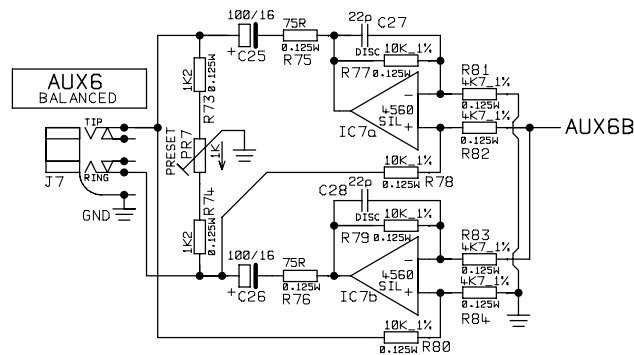
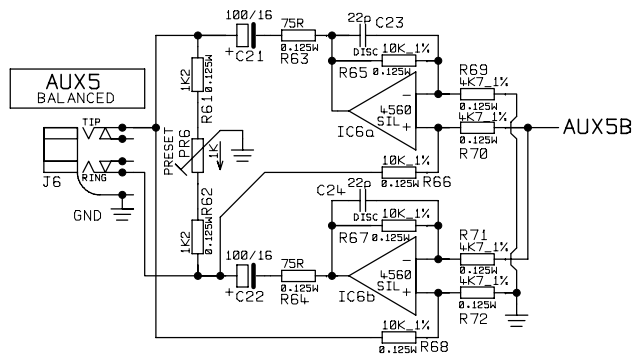
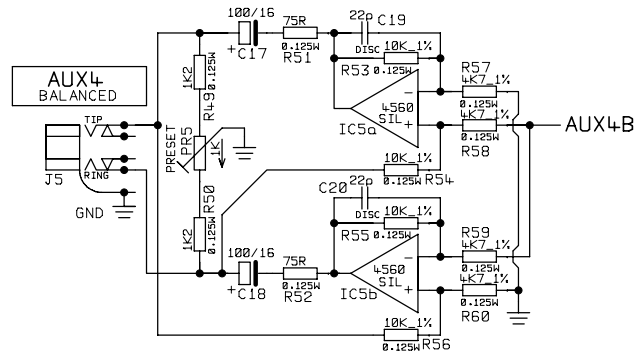
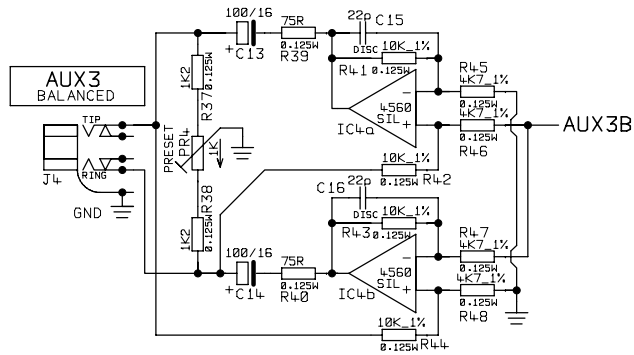
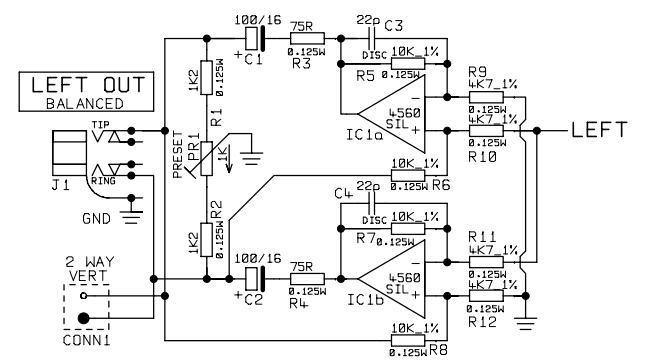
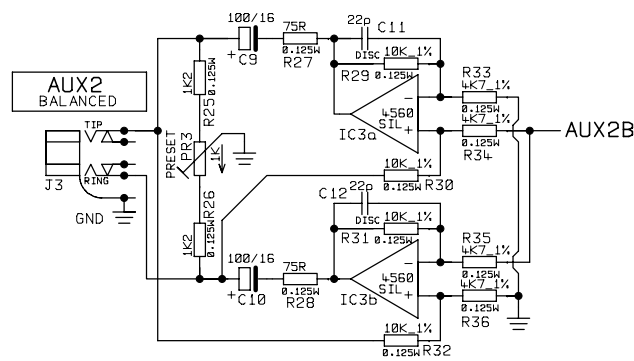
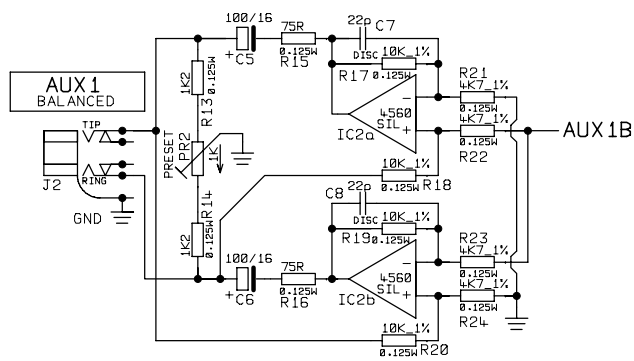
DATE

03-09-96

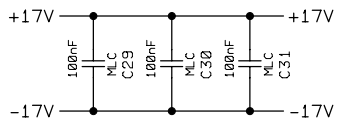
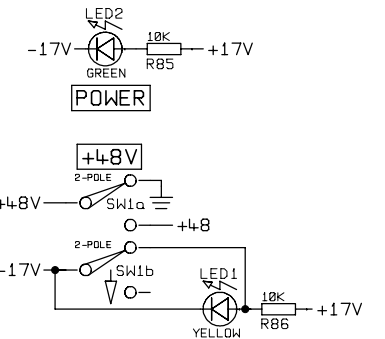
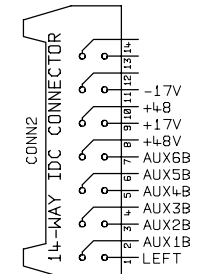
9603034-1
REV - 1



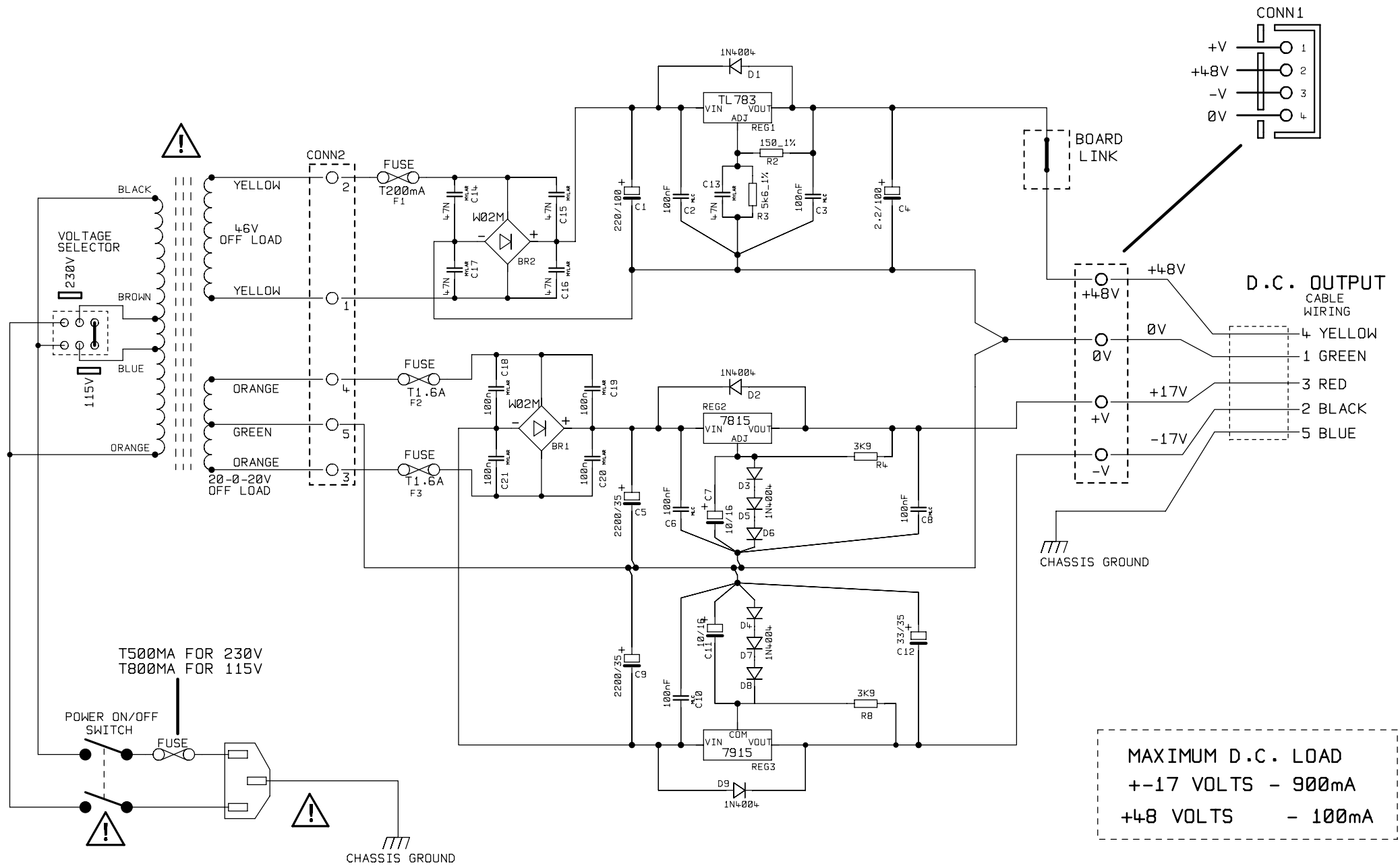
STUDIOMASTER DIAMOND LTD		TITLE	AUX - MONITOR BOARD		FILE NAME	R3C5A-2.DGM	
PRODUCT	TRILOGY (R3)		PART 1 OF 2		ISSUE No		
VERSIONS		DRN BY	P.A.	DATE	9603035-1		
				02-05-96			




TO AUX-MON BOARD



STUDIOMASTER DIAMOND LTD		TITLE		AUX - MON SUB BOARD		FILE NAME		R3C6-2.DGM	
PRODUCT		TRILOGY (R3)		PART 1 OF 1		ISSUE No		9603036-1	
VERSIONS				DRN BY		P.A.		DATE	
								02-05-96	



NOTES
 WARNING  INDICATES SAFTEY CRITICAL COMPONENTS.
 REPLACE ONLY WITH STUDIOMASTER RECOMMENDED PARTS.

STUDIOMASTER		TITLE		CIRCUIT DIAGRAM		DRAWING No.	
		PRODUCT	EP7	PART	1 OF 1	SCALE	9603030-2
VERSIONS		DRN BY	P.A.	DATE	02-04-98	FILE No.	
						EP7C1-2.DGM Rev A	