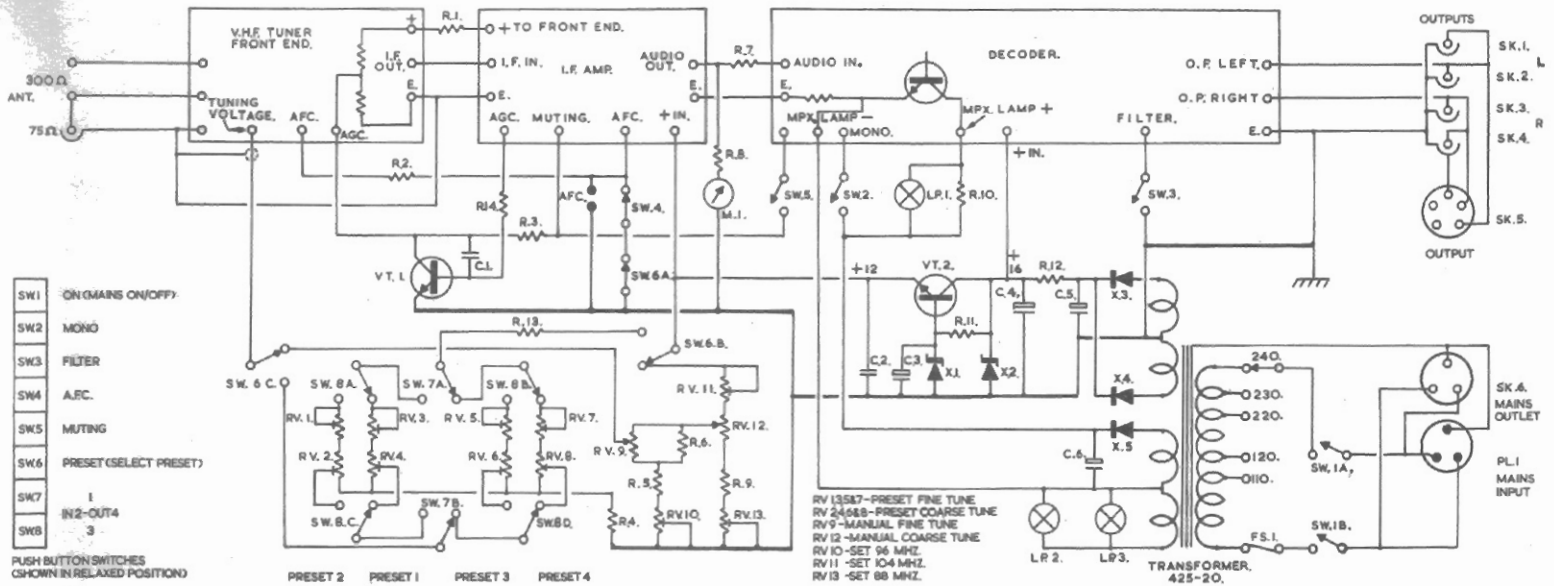
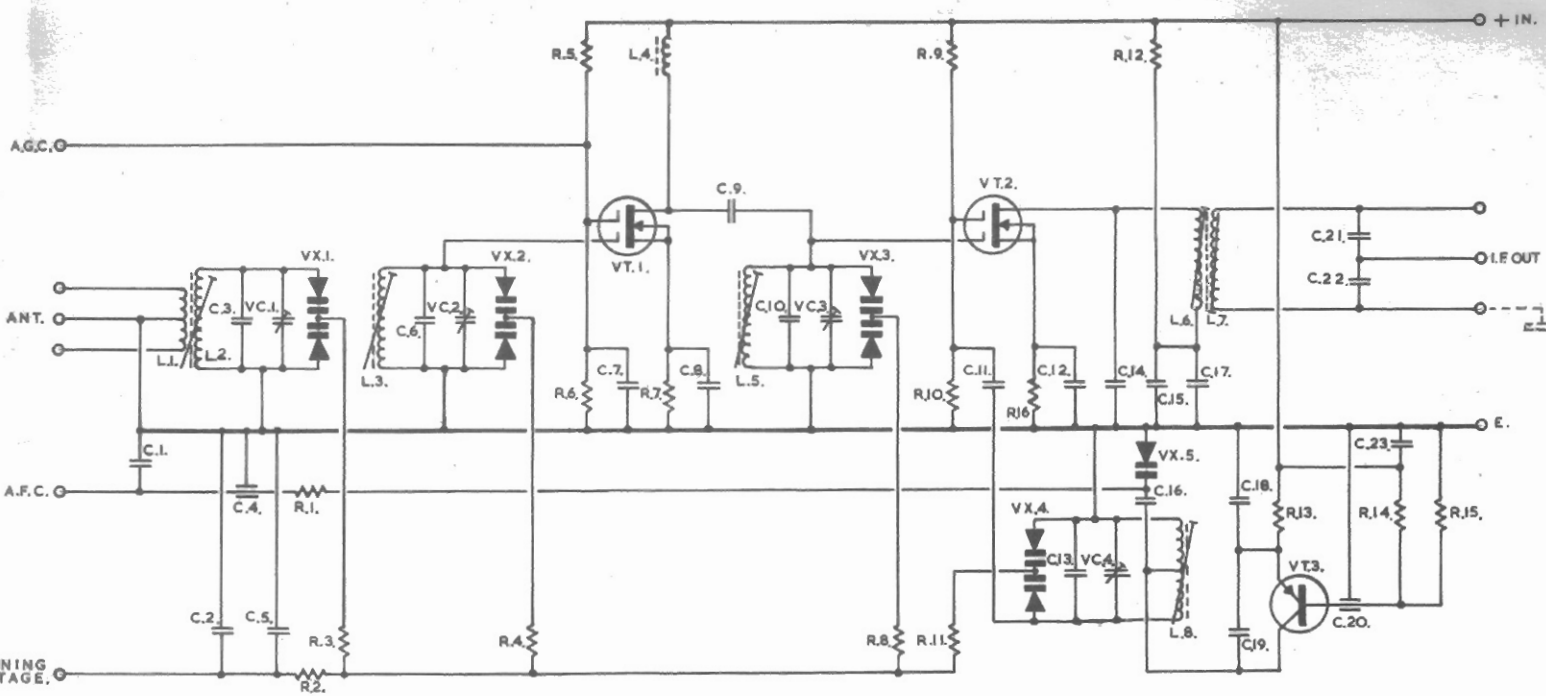


R21/R51 V.H.F./F.M. STEREO RADIIOTUNER



R 1 - 100	R 11 - 2.2K	C 5 - 400	X 3 - BYX36-150	RV 6 - 100K
R 2 - 22K	R 12 - 100	C 6 - 80	X 4 - BYX36-150	RV 7 - 10K
R 3 - 470K	R 13 - 150K		X 5 - BYX36-150	RV 8 - 100K
R 4 - 47K	R 14 - 100K			RV 9 - 50K
R 5 - 100K		VT 1 - BC109		RV 10 - 1M
R 6 - 22K		VT 2 - BC109	RV 1 - 10K	RV 11 - 100K
R 7 - 4.7K	C 1 - 470P		RV 2 - 100K	RV 12 - 500K
R 8 - 22K	C 2 - 0.1	X 1 - BZY88 C13	RV 3 - 10K	RV 13 - 220K
R 9 - 56K	C 3 - 2.5	X 2 - BZY88 C16	RV 4 - 100K	
R 10 - 4.7K	C 4 - 1000		RV 5 - 10K	



V.H.F. TUNER "FRONT END"

R 1 - 12K	R 11 - 68K	C 3 - 12P	C 13 - 6.8P	C 23 - 0.01	VX 2 - BB104
R 2 - 27K	R 12 - 120	C 4 - 1000P	C 14 - 68P		VX 3 - BB104
R 3 - 68K	R 13 - 3.3K	C 5 - 0.01	C 15 - 1000P		VX 4 - BB104
R 4 - 68K	R 14 - 10K	C 6 - 6.8P	C 16 - 15P	VC 1 - 4-10pF	VX 5 - BA102
R 5 - 68K	R 15 - 5.6K	C 7 - 1000P	C 17 - 2000P	VC 2 - 4-10pF	
R 6 - 68K	R 16 - 120	C 8 - 1000P	C 18 - 27P	VC 3 - 4-10pF	
R 7 - 120		C 9 - 22P	C 19 - 10P	VC 4 - 4-10pF	
R 8 - 68K		C 10 - 6.8P	C 20 - 1000P		VT 1 - 40822
R 9 - 27K	C 1 - 0.01	C 11 - 3.3P	C 21 - 82P		VT 2 - 40822
R 10 - 3.3K	C 2 - 0.1	C 12 - 1000P	C 22 - 470P	VX 1 - BB104	VT 3 - MEO462