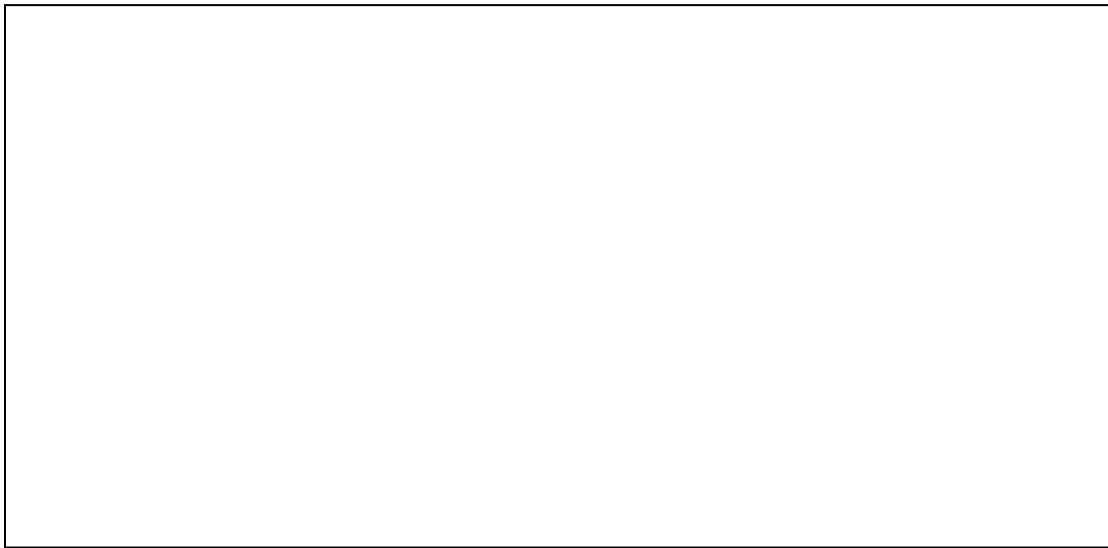


# ALESIS SUMO 300 (GK1) Service Manual





6

5

4

3

2

1

D

C

B

A

D

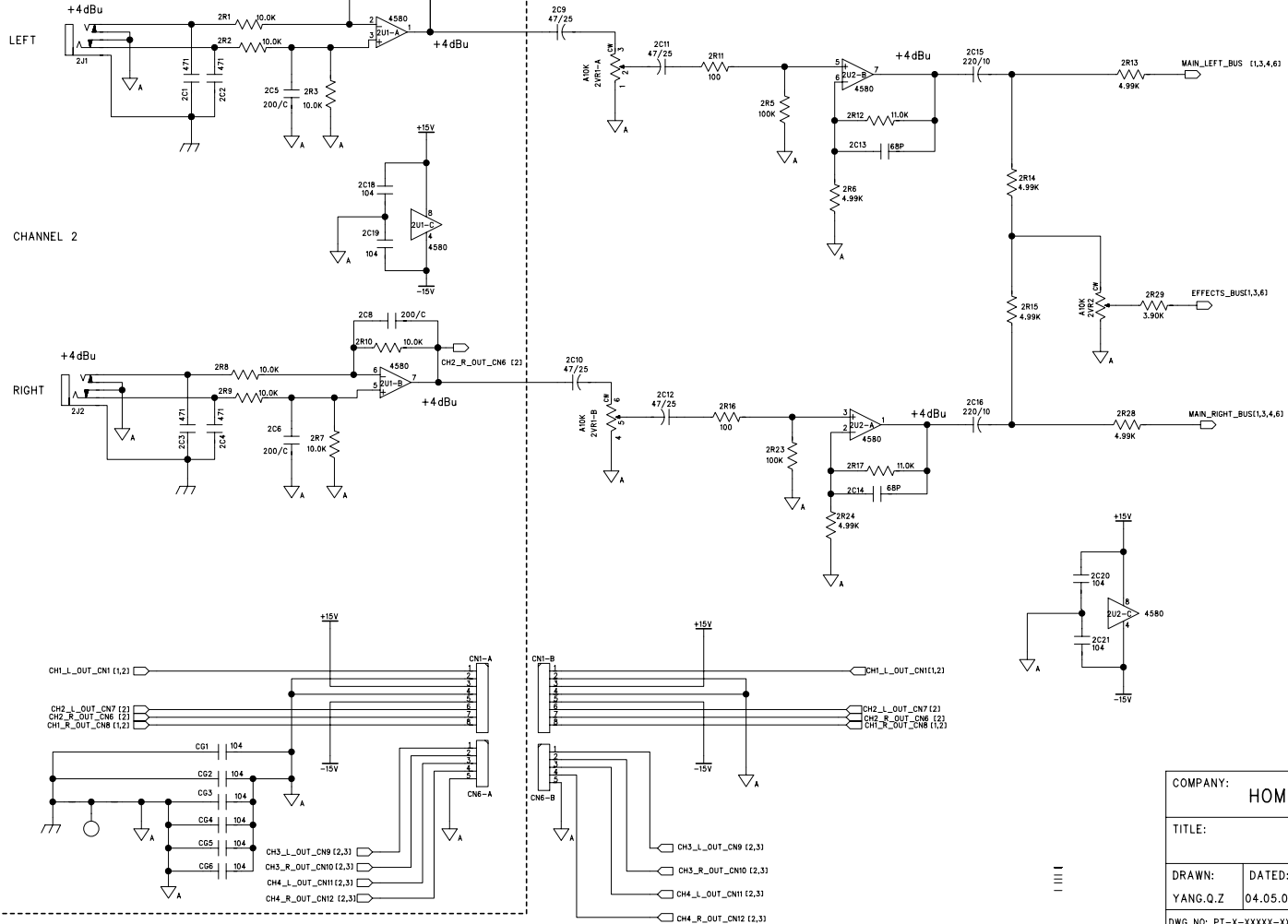
C

B

A

### REAR PCB

### FRONT PCB



COMPANY: HOMNI ENTERPRISES CO.,LTD.					
TITLE: GK1-CHANNEL 2					
DRAWN: YANG.Q.Z	DATED: 04.05.08	CHECKED:	DATED:	APPROVED:	DATED:
DWG NO: PT-X-XXXX-XX	SCALE:	SIZE:A2	REV:1.1	SHEET: 2 OF 7	

6

5

4

3

2

1

D

C

B

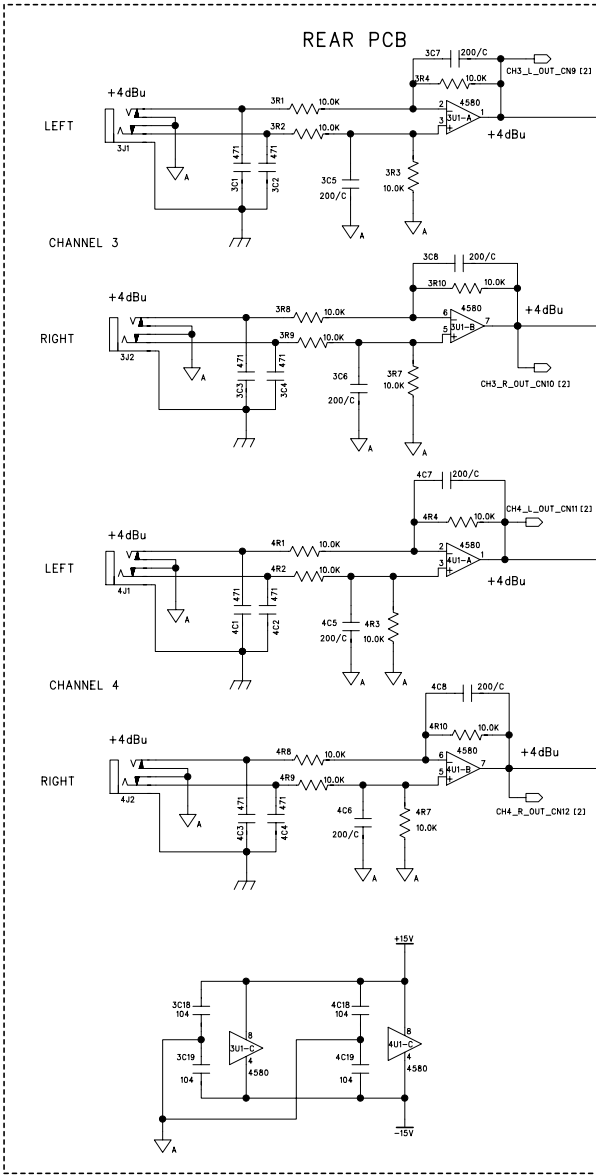
A

D

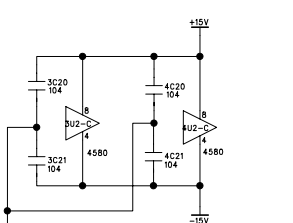
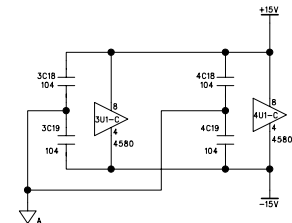
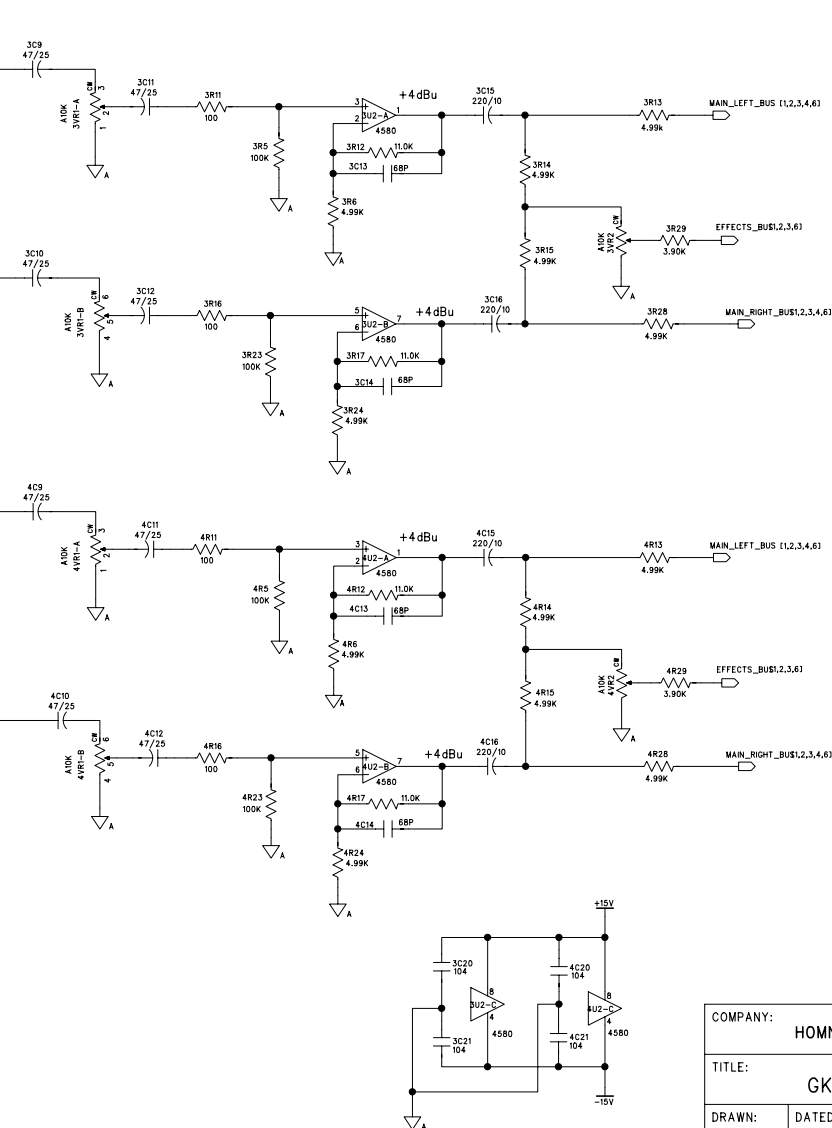
C

B

A



**FRONT PCB**



COMPANY: HOMNI ENTERPRISES CO.,LTD.					
TITLE: GK1-CHANNEL 3@4					
DRAWN: YANG.Q.Z	DATED: 04.05.08	CHECKED:	DATED:	APPROVED:	DATED:
DWG NO: PT-X-XXXX-XX	SCALE:	SIZE:A2	REV:1.00	SHEET:3 OF 7	

6

5

4

3

2

1

D

C

B

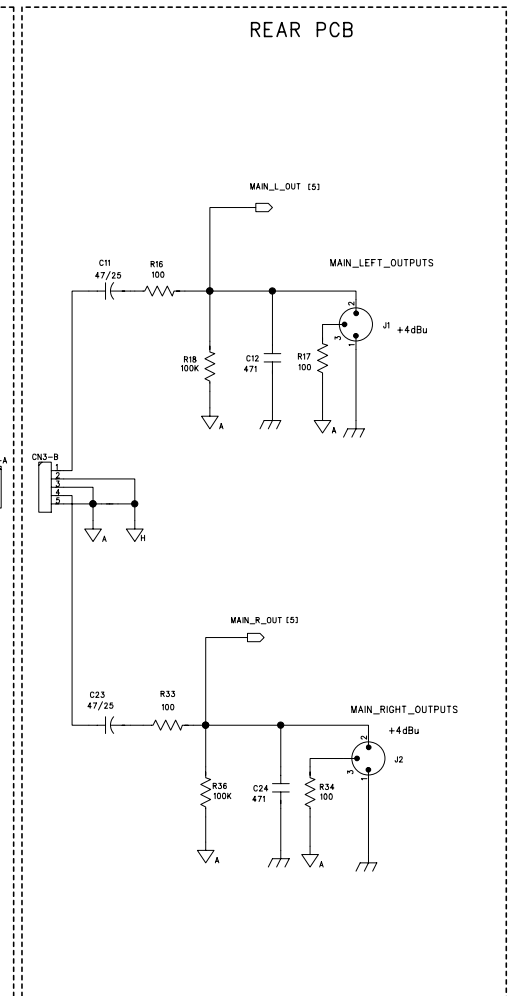
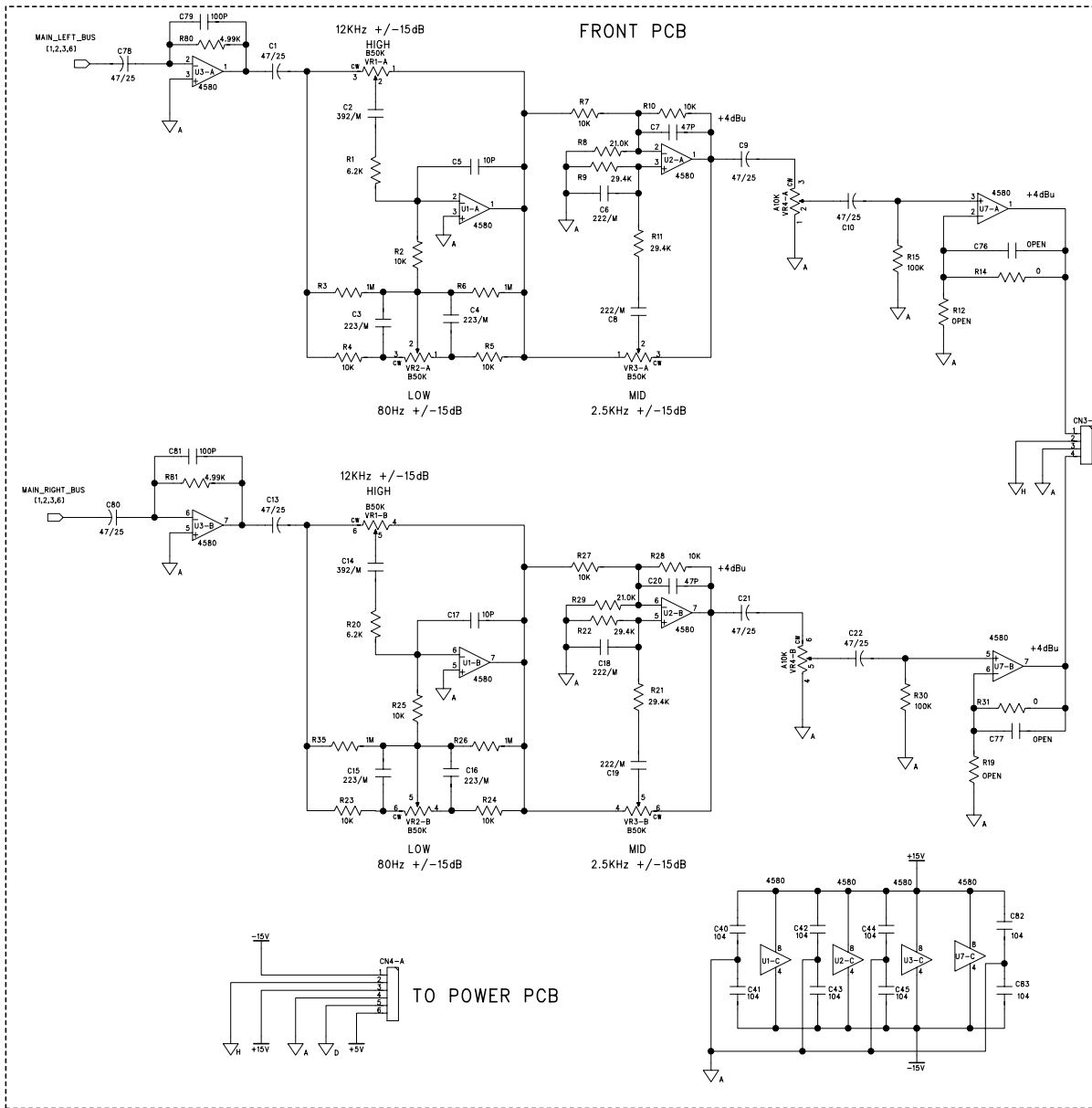
A

D

C

B

A



COMPANY: HOMNI ENTERPRISES CO.,LTD.					
TITLE: GK1_MAIN OUT					
DRAWN: YANG.Q.Z	DATED: 04.05.08	CHECKED:	DATED:	APPROVED:	DATED:
DWG NO: PT-X-XXXXX-XX	SCALE:	SIZE:A2	REV:1.1	SHEET: 4 OF 7	

6

5

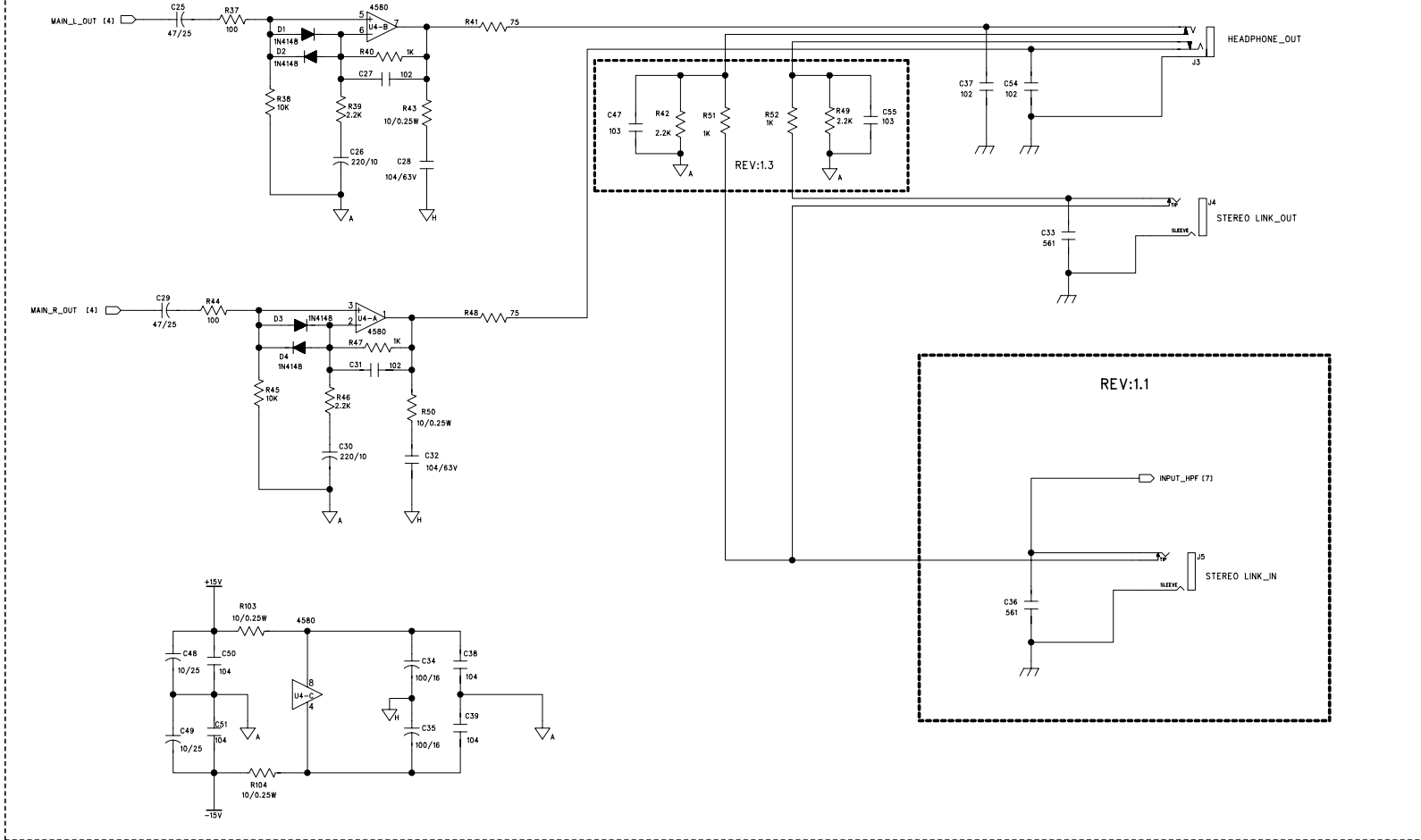
4

3

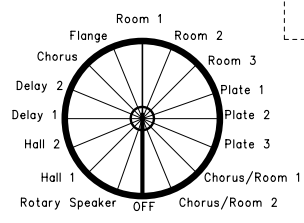
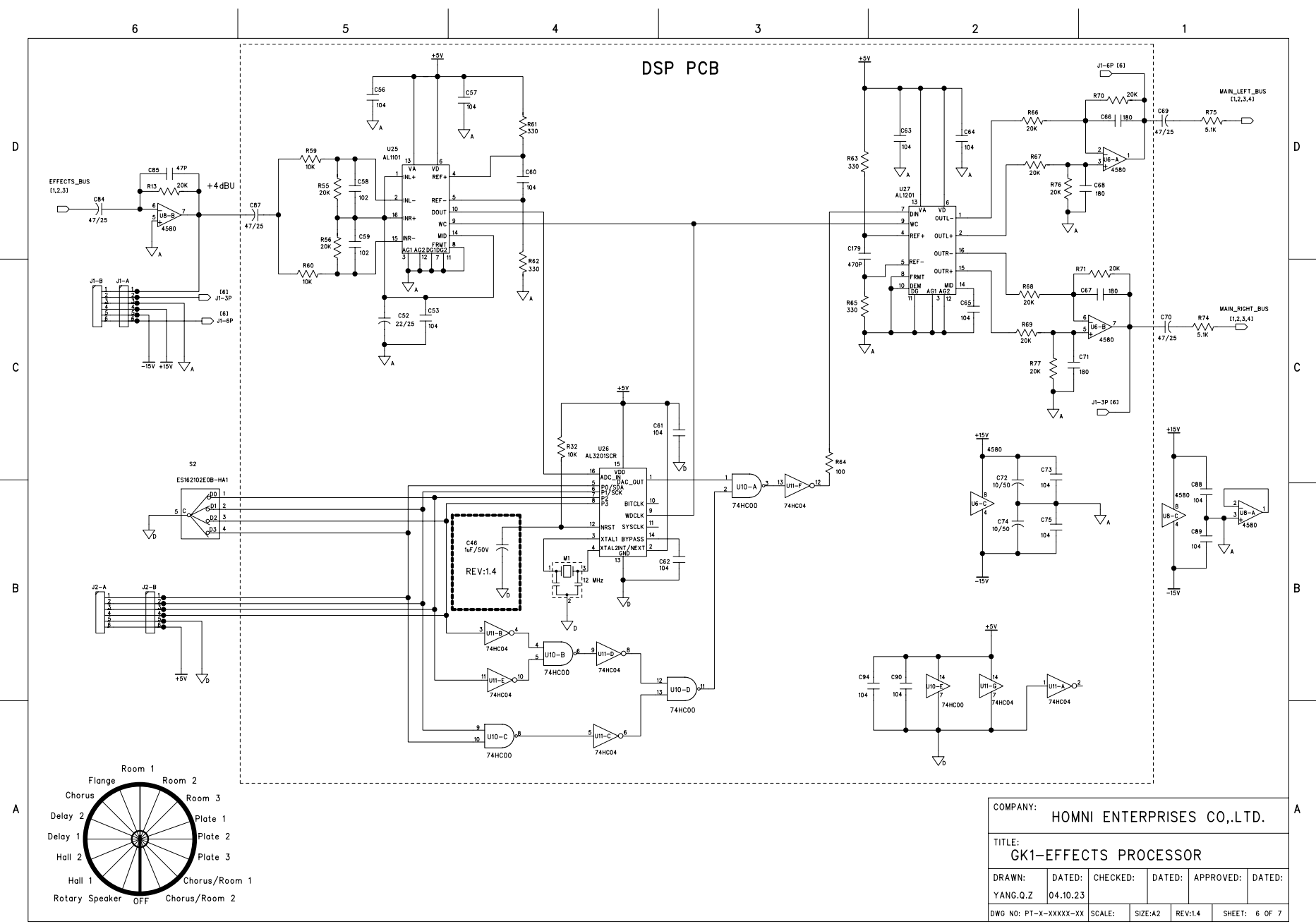
2

1

### REAR PCB



COMPANY:		HOMNI ENTERPRISES CO.,LTD.			
TITLE:		GK1 _HEADPHONE_OUT			
DRAWN:	DATED:	CHECKED:	DATED:	APPROVED:	DATED:
YANG.Q.Z	04.07.03				
DWG NO:	PT-X-XXXX-XX	SCALE:	SIZE:A2	REV:1.3	SHEET: 5 OF 7



COMPANY: HOMNI ENTERPRISES CO.,LTD.					
TITLE: GK1-EFFECTS PROCESSOR					
DRAWN: YANG.Q.Z	DATED: 04.10.23	CHECKED:	DATED:	APPROVED:	DATED:
DWG NO: PT-X-XXXX-XX	SCALE:	SIZE:A2	REV:1.4	SHEET: 6 OF 7	

6

5

4

3

2

1

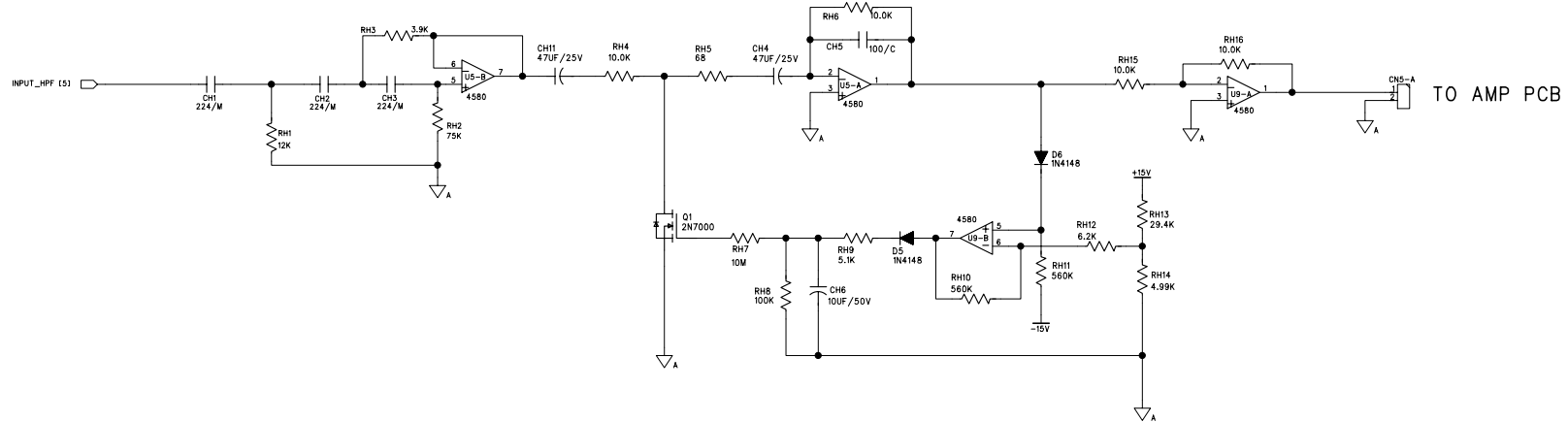
# REAR PCB

## REV:1.2

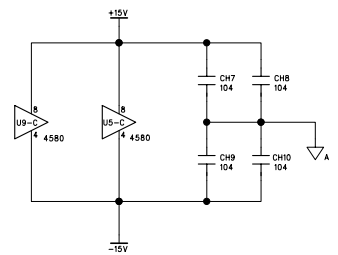
### HP Filter

3 pole under-damped HPF, -3dB @ 45Hz

### Limiter



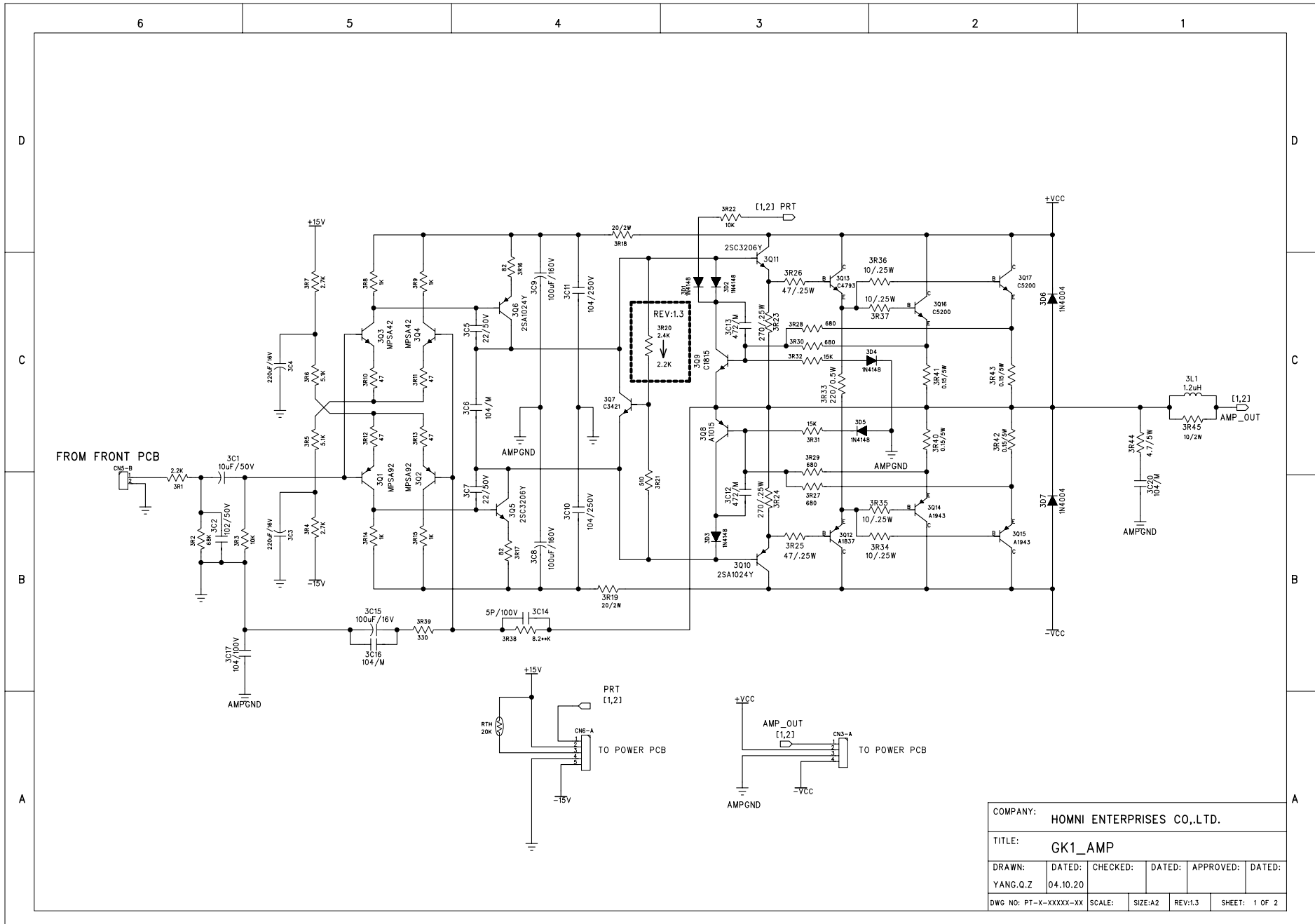
TO AMP PCB



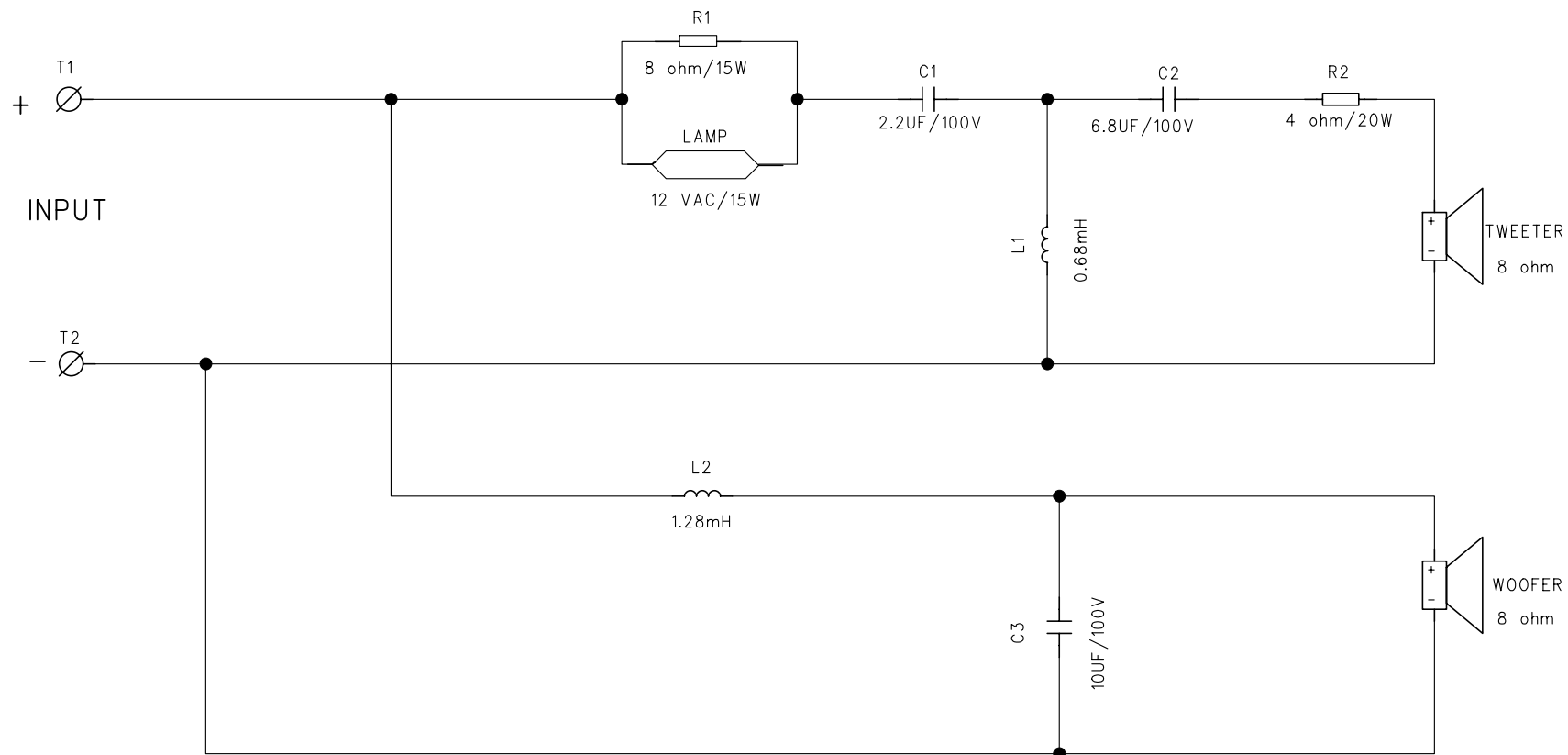
COMPANY: HOMNI ENTERPRISES CO.,LTD.					
TITLE: GK1_LIMITER&HP FILTER					
DRAWN: YANG.Q.Z	DATED: 04.05.08	CHECKED:	DATED:	APPROVED:	DATED:
DWG NO: PT-X-XXXX-XX	SCALE:	SIZE:A2	REV:1.1	SHEET: 7 OF 7	



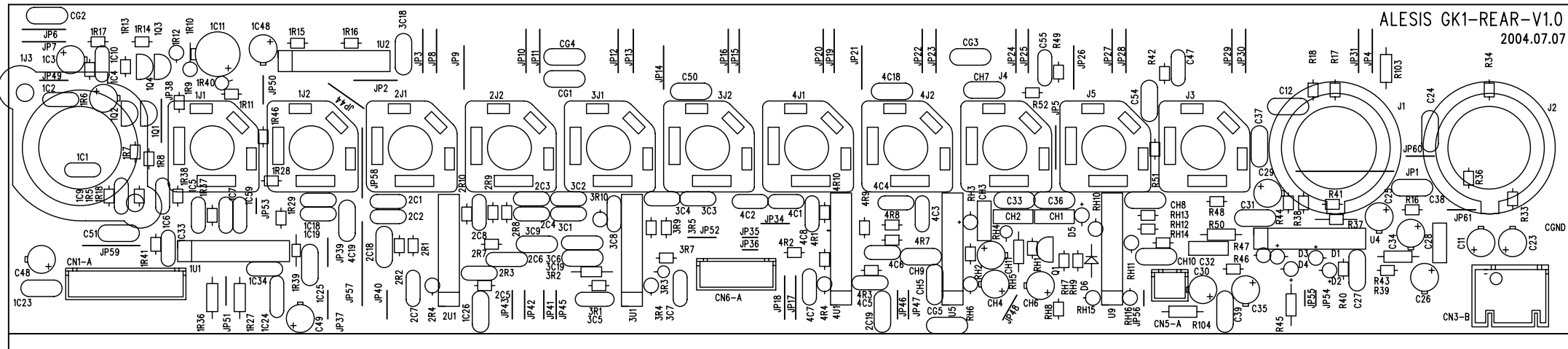




COMPANY: HOMNI ENTERPRISES CO.,LTD.					
TITLE: GK1_AMP					
DRAWN: YANG.Q.Z	DATED: 04.10.20	CHECKED:	DATED:	APPROVED:	DATED:
DWG NO: PT-X-XXXX-XX	SCALE:	SIZE:A2	REV:1.3	SHEET: 1 OF 2	



COMPANY:					HOMNI ENTERPRISES CO.,LTD.				
TITLE:					GK1 CROSSOVER				
DRAWN:	DATED:	CHECKED:	APPROVED:	DATED:	DRAWN:	DATED:	CHECKED:	APPROVED:	DATED:
					Xu Li	04.07.29			
DWG NO.: PT-X-XXXX-XX		SCALE:	SIZE:A3	REV:1.00	SHEET: 1 OF 1				

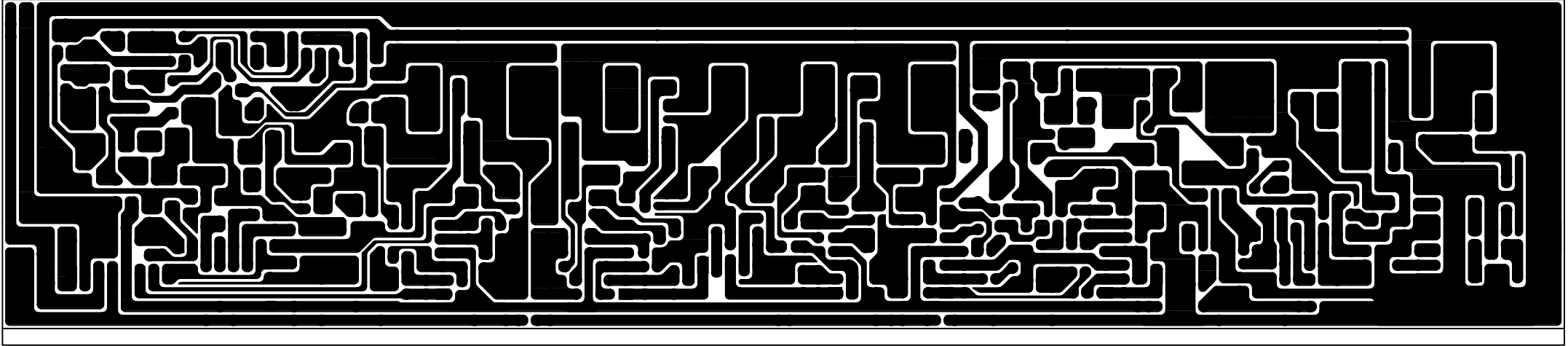


HOMNI ENTERPRISES CO.,LTD  
 GK1 REAR V1.0 04.07.21  
 SILKSCREEN TOP SIDE

DRAWN:

CHECKED:

APPROVED:

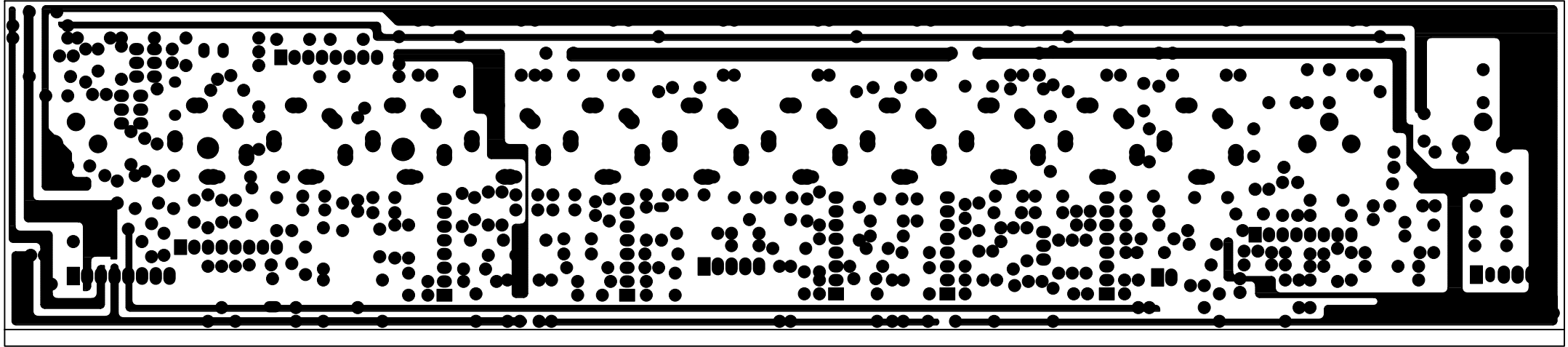


HOMNI ENTERPRISES CO.,LTD  
GK1 REAR V1.0 04.07.21  
SILKSCREEN BOTTOM SIDE

DRAWN:

CHECKED:

APPROVED:

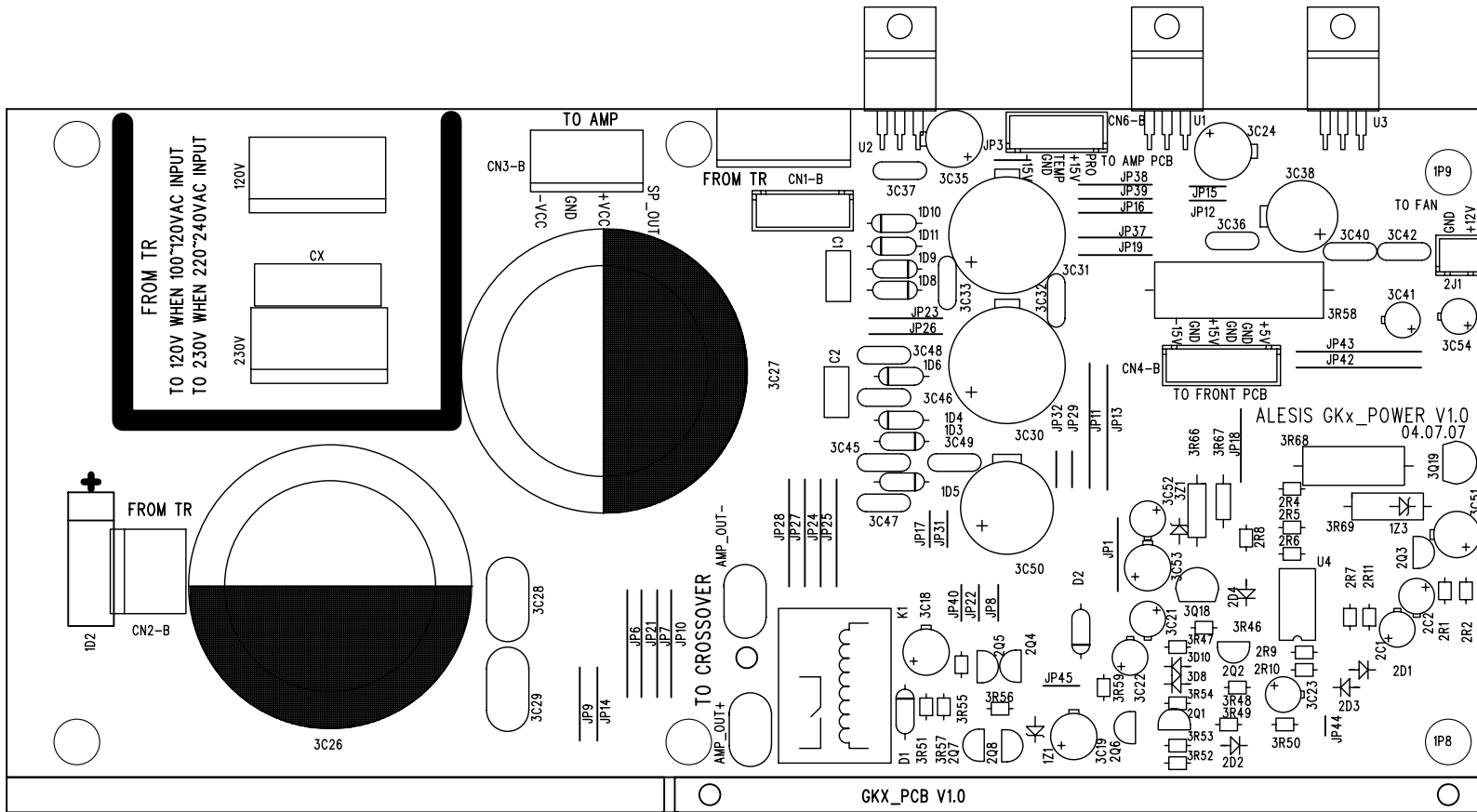


HOMNI ENTERPRISES CO.,LTD  
GK1 REAR V1.0 04.07.21  
BOTTOM SIDE

DRAWN:

CHECKED:

APPROVED:

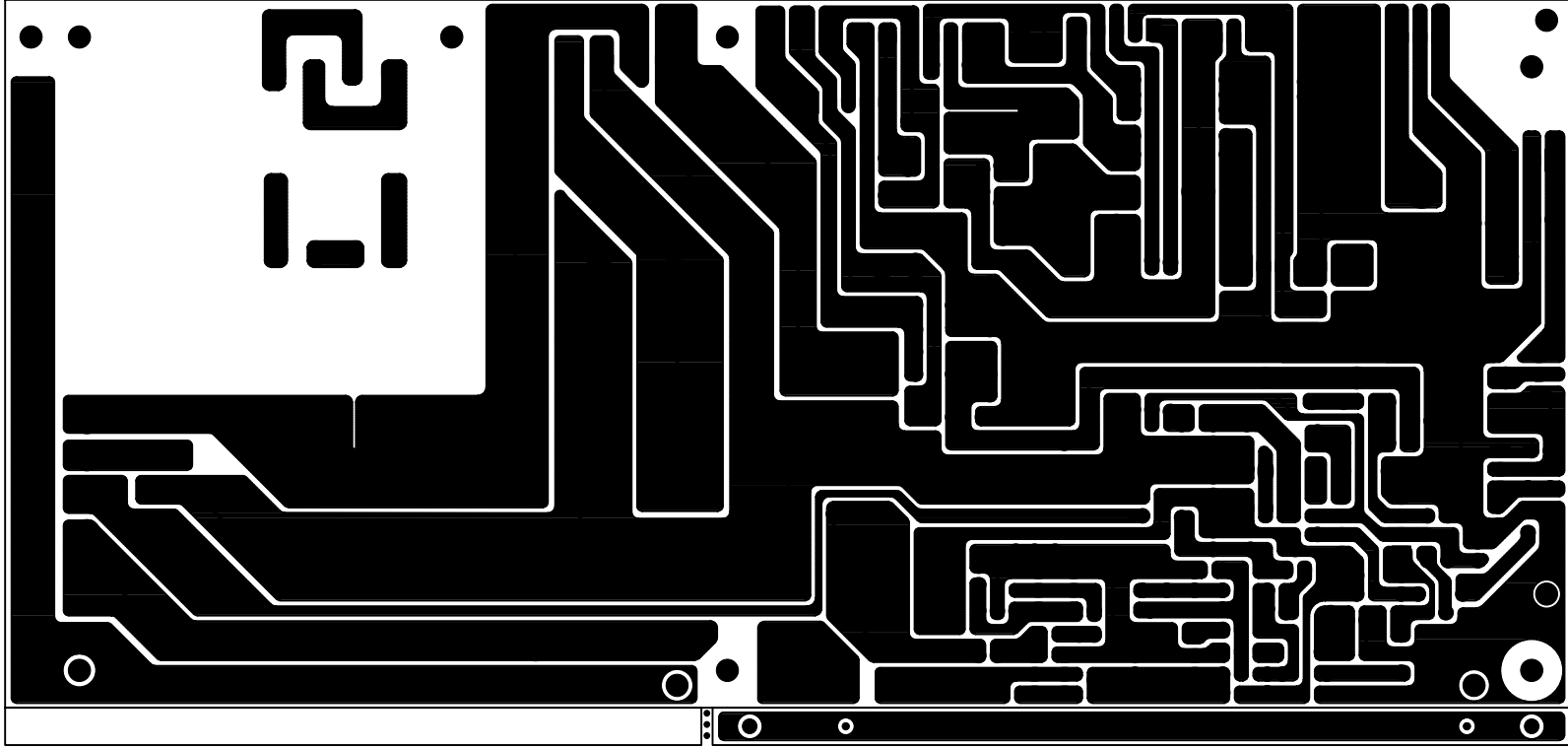


HOMNI ENTERPRISES CO.,LTD  
 GKX POWER V1.0 04.07.21  
 SILKSCREEN TOP SIDE

DRAWN:

CHECKED:

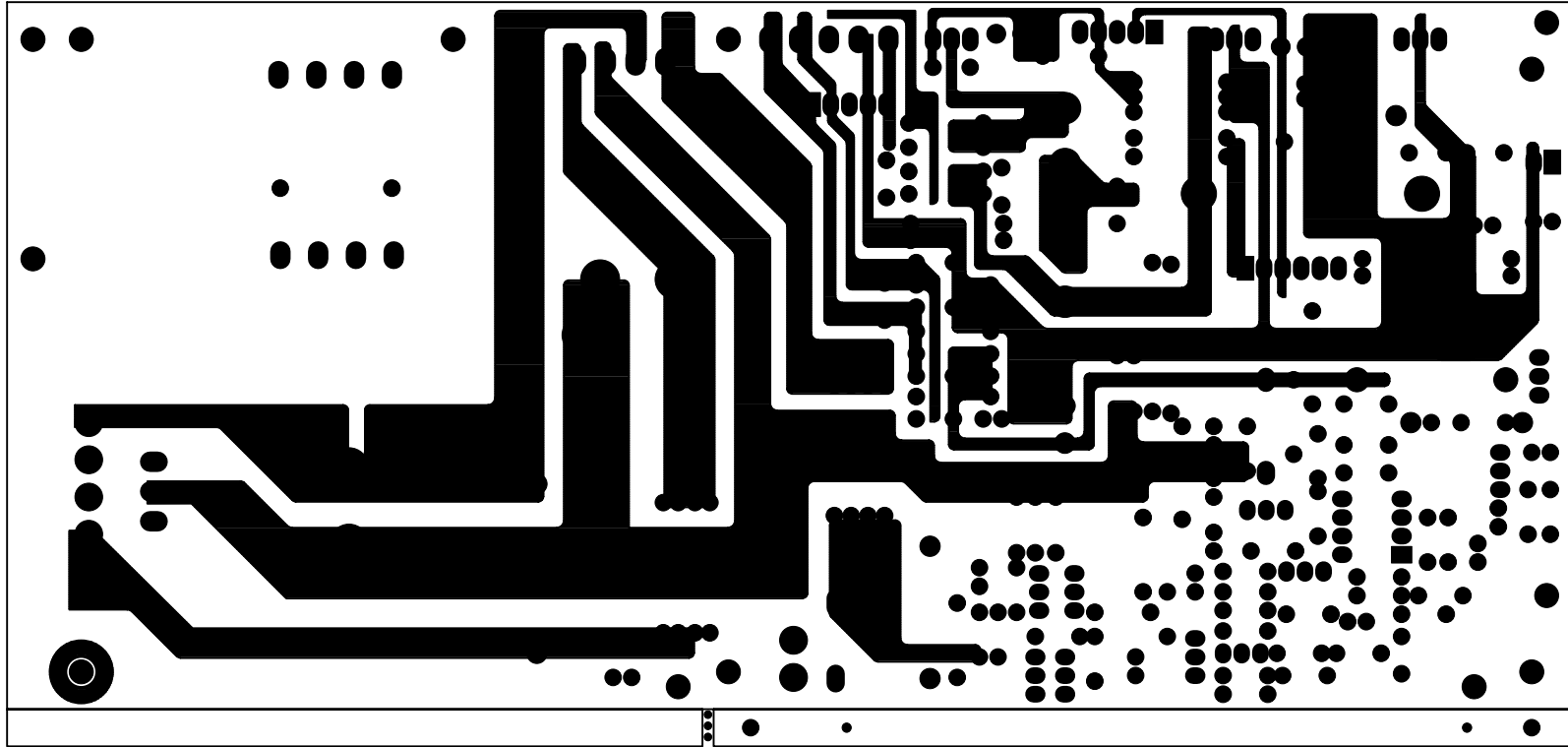
APPROVED:



SILKSCREEN BOTTOM SIDE  
GKX POWER V1.0 04.07.21  
HOMNI ENTERPRISES CO.,LTD

DRAWN:  
CHECKED:  
APPROVED:



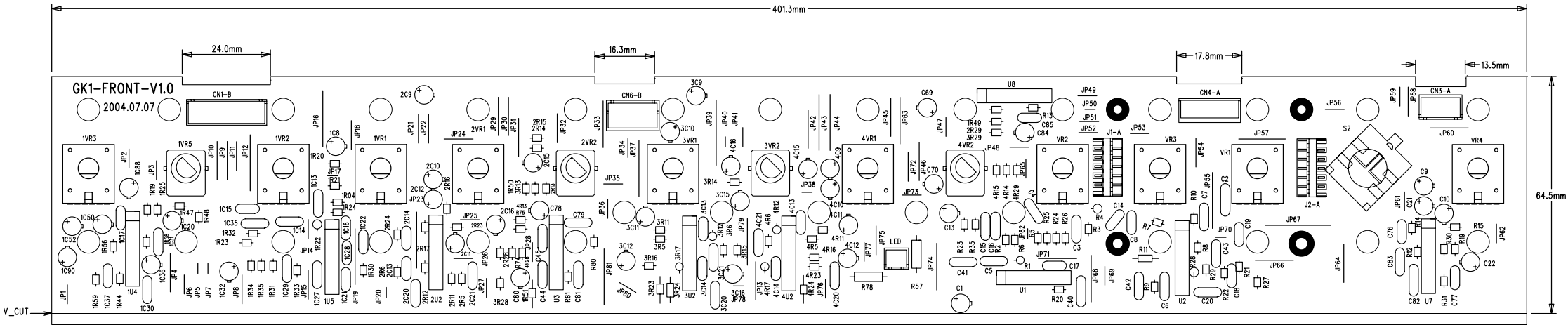


HOMI ENTERPRISES CO.,LTD  
GKX POWER V1.0 04.07.21  
BOTTOM SIDE

DRAWN:

CHECKED:

APPROVED:

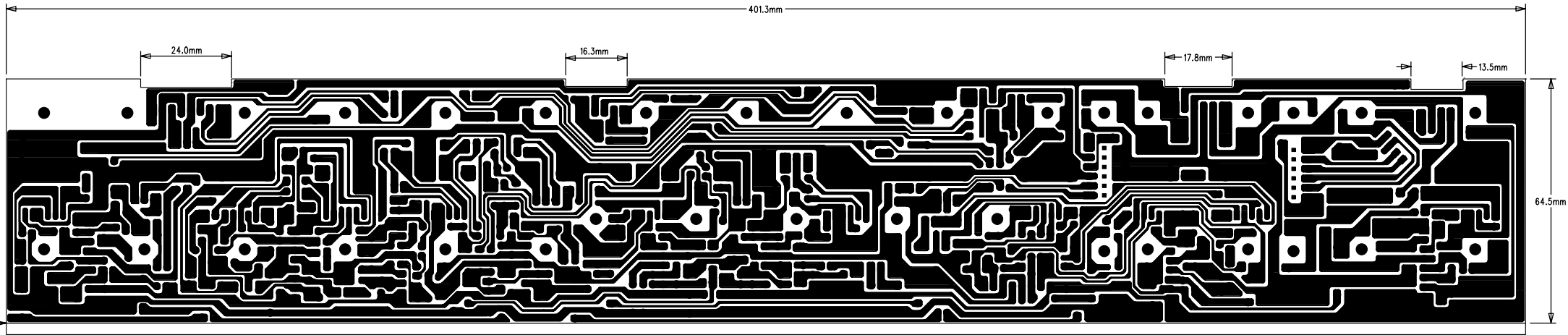


HOMMI ENTERPRISES CO.,LTD  
 GK1 FRONT V1.0 04.07.21  
 SILKSCREEN TOP SIDE

DRAWN:

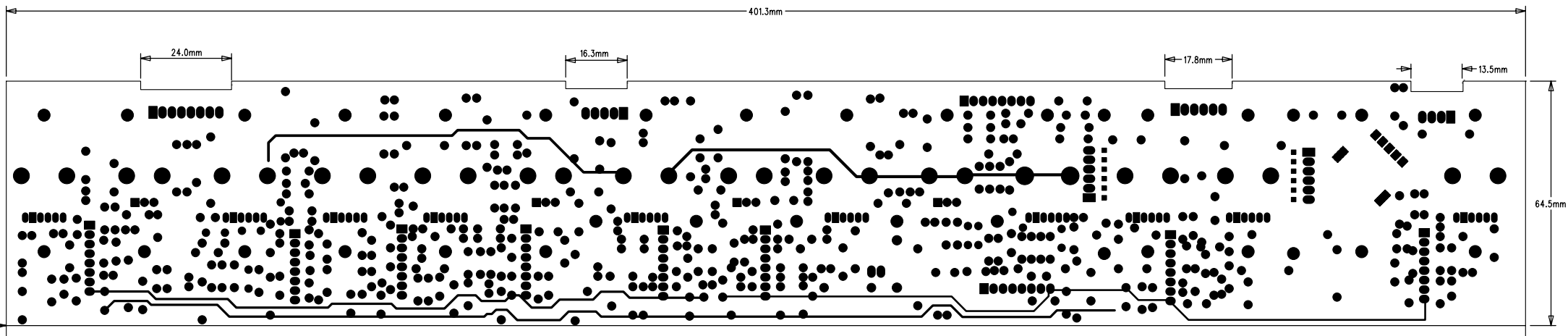
CHECKED:

APPROVED:



HOMI ENTERPRISES CO.,LTD  
GK1 FRONT V1.0 04.07.21  
SILSCREEN BOTTOM SIDE

DRAWN:  
CHECKED:  
APPROVED:

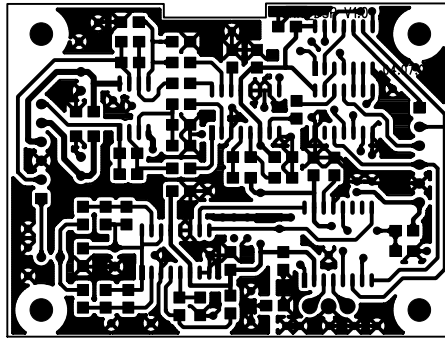


HOMMI ENTERPRISES CO.,LTD  
 GK1 FRONT V1.0 04.07.21  
 BOTTOM SIDE

DRAWN:

CHECKED:

APPROVED:

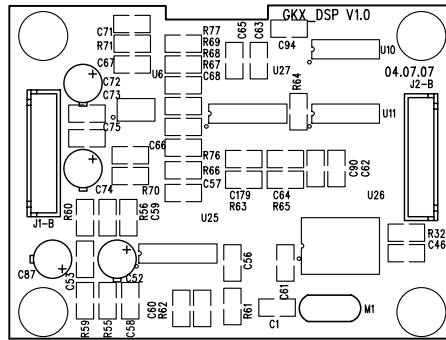


HOMNI ENTERPRISES CO.,LTD  
GKX DSP V1.0 04.05.25  
SILKSCREEN TOP SIDE

DRAWN:

CHECKED:

APPROVED:

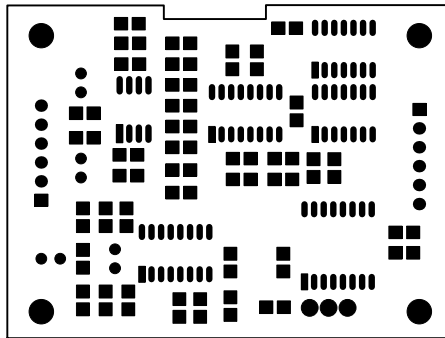


HOMNI ENTERPRISES CO.,LTD  
 GKX DSP V1.0 04.05.25  
 SILKSCREEN TOP SIDE

DRAWN:

CHECKED:

APPROVED:

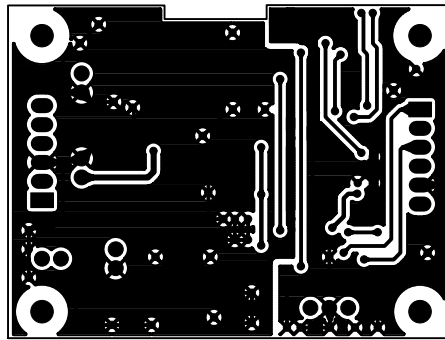


HOMNI ENTERPRISES CO.,LTD  
MODELDFG V1.X YY.MM.DD  
TOP SIDE

DRAWN:

CHECKED:

APPROVED:



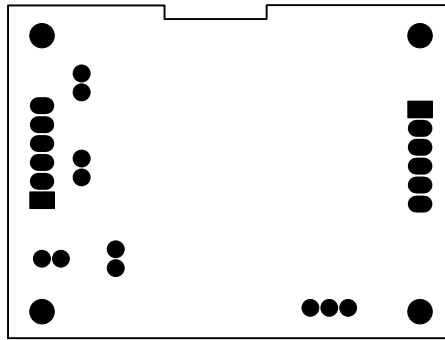
HOMMI ENTERPRISES CO.,LTD  
GKX DSP V1.0 04.02.25  
SILKSCREEN BOTTOM SIDE

DRAWN:

CHECKED:

APPROVED:



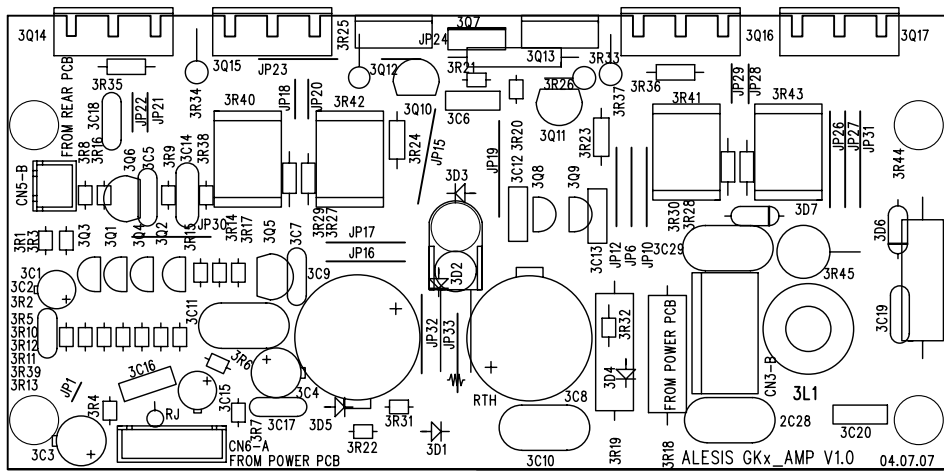


BOTTOM SIDE  
GKX DSP V1.0 04.02.28  
HOMNI ENTERPRISES CO.,LTD

APPROVED:

CHECKED:

DRAWN:

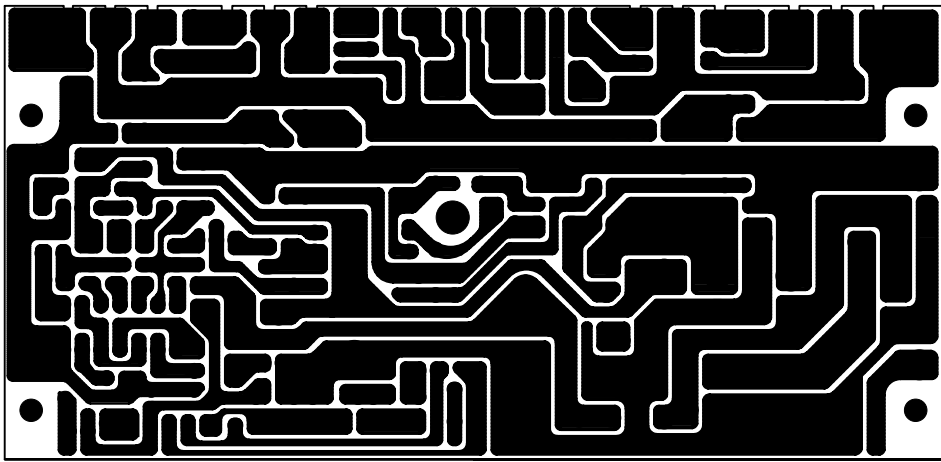


HOMNI ENTERPRISES CO.,LTD  
 GKX AMP V1.0 04.07.21  
 SILKSCREEN TOP SIDE

DRAWN:

CHECKED:

APPROVED:

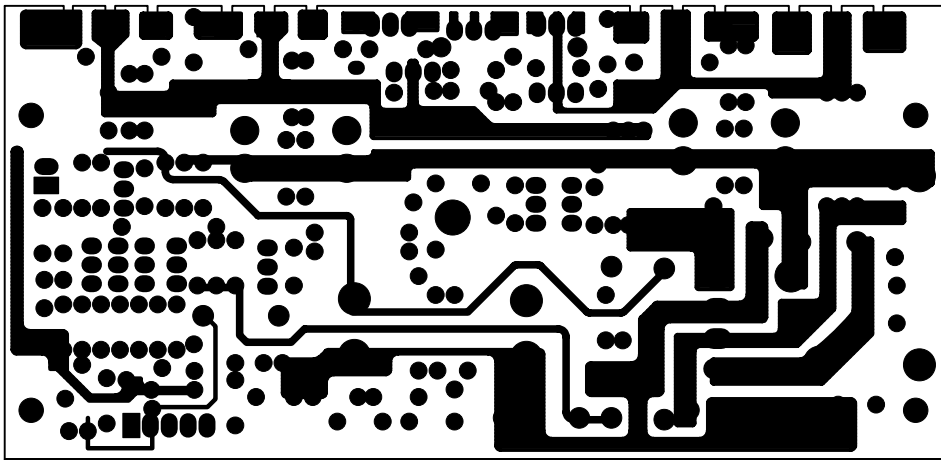


HOMNI ENTERPRISES CO.,LTD  
GKX AMP V1.0 04.07.21  
SILKSCREEN BOTTOM SIDE

DRAWN:

CHECKED:

APPROVED:



HOMNI ENTERPRISES CO.,LTD  
GKX AMP V1.0 04.07.21  
BOTTOM SIDE

DRAWN:

CHECKED:

APPROVED:

# ALESIS SUMO 300 (GK1)

## BOM



# 受控 BOM

表格編號: RD-QT-020-B			文件編號: RD-TD-020			頁次: 19/20	
版本: 1.1		機種編號: AC005 (GK1)		文件序號:		生效日期:	
層次	類別	編號	料號	物料名稱	規格描述	用量	位號及備注
03	E	1	PN2027313C00	knob cap	DN-PN2027,D16*20.57mm,ABS,electroplating,silvery	15	same as GA0
03	E	2	PE4004014W00	decarated bar	DN-PE4004,ABS,spray-paint,PANTONE 专色	2	see the picture
03	E	3	PE9003014W00	nameplate box	DN-PE9003,ABS,spray-paint,PANTONE 专色	1	same as GK0
03	E	4	PE3010030S00	plastic nameplate	DN-PE3010,PMMA,green-brown	1	same as GK1
03	E	5	MC5093070000	bottom cover	DN-MC5093,SECC,material	1	see the picture
			MC5093070270		DN-MC5093,SECC,black,baking lacquer		
			MC5093079270	bottom cover	DN-MC5093,SECC,silk-screenPANTONE 专色,black,baking lacquer		
03	E	6	MH0004010P00	heatsink	DN-MH0004,aluminous alloy,natural color	1	see the picture
03	E	7	MH3007010P00	flat panel heatsink	DN-MH3007,aluminous alloy,natural color,material	1	see the picture
03	E	8	MC2133010000	panel	DN-MC2133,aluminous alloy,material(front panel)	1	see the picture
			MC2133010270		DN-MC2133,aluminous alloy,black,baking lacquer		
			MC2133019270	panel	DN-MC2133,aluminous alloy,silk screen PANTONE 专色,black,baking lacquer		
03	E	9	MB7003060000	typeU bracket	DN-MB7003,SPCC,material	1	same as GK0
			MB7003060270		DN-MB7003,SPCC,baking black flat light		
03	E	10	PE60260D0900	plastic sheet	DN-PE6026,PC,transparent	1	same as GK0
03	E	11	MB1069206440	copper stand off	DN-MB1069,M3screw hole with M3screw pole,5.6MM+4MM	4	lock amplifier board see the picture
03	E	12	MB1032112040	copper stand off	DN-MB1032,two end M3screw hole,12MM	4	lock DSP
03	E	13	PSA10000S2M0	screw cap	品基,S-2M	2	supporting small PCB bar
03	*E	14	N10305661010	screw	M3*5mm,daisy round head,screw head D5.5mm,machinery screw	51	lock amplifier (4PCS),fan cover(4PCS),power board(4PCS),front panel(30PCS),thermistor(1PCS),DSP板(8PCS)
03	*E	14'	N10307661010	screw	M3*7mm,daisy round head,screw headD5.5mm,machinery screw,black zinc	3	crystal on power panel
03	E	15	N10310661010	screw	M3*10mm,daisy round head,screw headD5.5mm,machinery screw	5	lock small crystal and power connect
03	E	16	N10312661010	screw	M3*12mm,daisy round head,screw headD5.5mm,machinery screw	5	lock rectifier and big crystal
03	E	17	N103056A1120	screw	M3*5mm,daisy round head,screw head7.5mm,metric machine	2	GND wire
03	E	18	N10308571010	screw	M3*8mm,daisy round head,screw headD6mm,machinery screw	10	lock heatsink(bottom )
03	E	19	N10407651010	screw	M4*7mm,daisy round head,screw headD7mm,machinery screw	4	lock transformer
03	E	20	N10426298020	screw	M4*26mm,daisy round head,screw headD7mm,machinery screw	4	lock fan
03	E	21	N10306667010	screw	Φ3*6mm,daisy round head,screw headD5.5mm,sel-tapping br	6	lock XLR
03	E	23	N9083B081110	gasket	Φ8*Φ3.2*0.8mm,steel,flat washer,black zinc	5	lock big crystal and rectifier
03	E*	22	N9063B031110	gasket	Φ6*Φ3.2*0.3mm,steel,flat washer.black zinc	6	lock small crystal
03	E	24	N9073B101410	gasket	Φ7*Φ3.2*1.0mm,steel,outside tooth washer.black zinc	2	lock power connect

擬制:

審核:

批准:

# 受控 BOM

表格編號: RD-QT-020-B			文件編號: RD-TD-020			頁次: 20/20	
版本: 1.1		機種編號: AC005 (GK1)		文件序號:		生效日期:	
層次	類別	編號	料號	物料名稱	規格描述	用量	位號及備註
03	E	25	N9073B101430	gasket	Φ7*Φ3.2*1.0mm,steel,outside tooth washer,five color	2	lock GND wire
03	E	26	N95F3B085210	gasket	Φ5.6*Φ3.2*0.8mm,spring steel,spring washer,black zinc	11	lock small and big crystal and rectifier
03	E	27	N706032E0010	HEX nut	Φ6*M3*2.5mm,black zinc	2	lock power connect
03	F	1	X1010494A111	cabinet	DN-X10104,mid-density panel with PB,lichee husk,,black,supplying plastic vent-pipe tube and corner.inside firproof batting dacron(with grill),V1.1	1	see the picture
03	F	2	ME1002060000	corner	DN-ME1002,SPCC,material	8	same as GA0
03	F	3	PT2006310100	plastic blowing tube	DN-PT2006,145*56*83mm,ABS,black	2	same as GK0
03	F	4	PS51SRS310M0	space post	SRS3-10M,品固	4	lock crossover board
03	F	5	N104206B1010	screw	M4*20mm,daisy round head,screwD8mm,machinery scr	8	lock woofer
03	F	6	N10322669010	screw	Φ3*22mm,daisy round head,screw head,D5.5mm,self-tapping	4	lock crossover board
03	F	7	N104255B5010	screw	Φ4*25mm,daisy flat head,screw headD8mm,wood screw.black zinc	6	lock horn tweeter
03	F	8	N10425AE1010	screw	M4*25mm,daisy umbrella head,screw head D9.5mm,machiner	4	lock amplifier
03	F	9	H61A10A10A20	FOAM	10*1000*1mm,EVAE1030,single side have black adhesive	2	tweeter and woofer
02	G	12	W96024218DAB	power cord	AN-960,3C,18#,SJT,1830mm,black,携威(美规头+品字尾)	1	attachment,regulated by America,silk-screen SJT:on power cord
02			W9632D718DA8	power cord	AN-W963,3C,1.0mm2,H05VV-F,1830mm,black,明德,(法德式頭+品字尾)		attachment,regulated by Europe
02			W9622D718DA8	power cord	AN-W962,3C,1.0mm2,H05VV-F,1830mm,black 明德,(SAA頭+品字尾)		attachment,regulated by Australia
02			W9432C718DA8	power cord	AN-W943,3C,0.75mm <sup>2</sup> ,H05VV-F,1830mm,black,明德(verticalmoulding Bshead regulated by England(5A)+品字尾)		attachment,regulated by England

擬制:

審核:

批准:



# 受控 BOM

表格編號: RD-QT-020-B			文件編號: RD-TD-020			頁次: 17/20	
版本: 1.1		機種編號: AC005{GK1}		文件序號:		生效日期:	
層次	類別	編號	料号	物料名称	规格描述	用量	位号及备注
03	E	1	T20075930030	annular transformer	AN-T20075,115/230V, 300W,德致	1	T1
03	*E	2	E11042SEM70	fan	AN-E1104,DF0602012SEM70,鴻基(12V,wire leads with socket P=2.5MM,the length of wire is 300MM with grill)	1	locking on bracket typeU ,blowing towards outside
03	E	3	J010116T4250	power connect	AN-J0101,3516-T4,奇立	1	after packed then closed
03	E	4	F26A0031AL50	glass-tube fuse	6A/125V,Φ5*20MM ,super-slow melting ,low disjunctin,certified by America and Europe	1	certified by America(5TT )
03	E		F23A1541TLB0	glass-tube fuse	3.15A/250 ,5*20MM slow melting ,low disjunction,certified by America,Europe and England		certified by Europe ( littelfuse 218series )
03	E	5	F704FHB02043	tube type fuse jack	AN-F704,FHB02,certified by ULCSA and VDE,璟和	1	UL,Ceattestation
03	E	6	S318KKETOF20	teeterboard switch	AN-S318,RA12KKETOF,亮群(2P,无without"I"and "O"silk screen 6A/250V)	1	boxed before packed it
03	E	7	W85340380820	muli-cored wire	20#, UL1617,10+380mm+one end punch 187terminal with transparent terminal,red,	1	fuse jack to power switch
03	E	8	W85340120720	muli-cored wire	20#, UL1617,10+120mm+one end punch 250terminal with transparent tube,red	1	power connect"L"to fuse jack
03	E	9	W4K7442150A3	socket wire	AN-W4K7,4P,18#,UL1015,150mm,black,柏盛( one end with 3960socket,one end with 3960jack)	1	CN3-A/B
03	E	10	WE08232600K3	connecting socket wire with nothing	AN-WE08,2P,16#,UL1015,600mm,black,red( one end with E120H airy connecting socket,one end peel wire 10mm).	1	AMP TO CROSOVER
03	E	11	W648142100B3	GND wire	AN-W648,18# UL1015,100mm,green and yellow,柏盛(one end punch 250terminal with tube,the other end punch Φ4.3 round terminal)	1	power connect to GND
03	E	12	H15001003100	thermer tube	Φ5*10*0.28mm,UL,black	1	cover fuse tube jack
03	E	13	H11F04004100	thermer tube	Φ15*40*0.40mm,UL,black	1	cover fuse tube jack
03	E	14	PS810AB3S3M0	fixed button	品固,AB-3S-3M	3	fixing CN1-B
03	E	15	H92510000090	strain relief	2.5*100mm,white	8	bundle cable

擬制:

審核:

批准:





# 受控 BOM

表格編號: RD-QT-020-B			文件編號: RD-TD-020			頁次: 12/20	
版本: 1.0		機種編號: AC005{GK1}		文件序號:		生效日期:	
層次	類別	編號	料號	物料名稱	規格描述	用量	位號及備註
04-5	B	1	B1012751V020	PCB	GKX_POWER,94V0single panel,AN-B10127,green,V1.0,2ounce,	1	並板
04-5	B	2	RK0800500000	jumper	Φ0.8*5mm	1	JP44
04-5	B	3	RK0800750000	jumper	Φ0.8*7.5mm	11	JP3,8,12,15,17,22,29,31,32,40,45
04-5	B	4	RK0801250000	jumper	Φ0.8*12.5mm	9	JP1,16,18,19,23,26,37,38,39
04-5	B	5	RK0801750000	jumper	Φ0.8*17.5mm	8	JP6,7,10,21,24,25,27,28
04-5	B	6	RK0802000000	jumper	Φ0.8*20mm	4	JP11,13,42,43
04-5	B	7	R131K0006230	C/R	1/8W,1KΩ,±5%,brede style	1	3R48
04-5	B	8	R132K0006100	C/R	1/8W,2KΩ,±5%,brede style	1	3R46
04-5	B	9	R1310K006100	C/R	1/8W,10KΩ,±5%,brede style	7	3R47 3R49-50,2R9,2R10,3R54,3R56
04-5	B	10	R1320K006100	C/R	1/8W,20KΩ,±5%,brede style	2	2R1,3R57
04-5	B	11	R1315K006100	C/R	1/8W,15KΩ,M±5%,brede style	1	3R59
04-5	B	12	R1347K006100	C/R	1/8W,47KΩ,±5%,brede style	1	2R2
04-5	B	13	R1356K006100	C/R	1/8W,56KΩ,±5%,brede style	1	3R51,3R52
04-5	B	14	R13150K06100	C/R	1/8W,150KΩ,±5%,brede style	2	2R7-8
04-5	B	15	R13180K06100	C/R	1/8W,180KΩ,±5%,brede style	1	3R55
04-5	B	16	R13220K06100	C/R	1/8W,220KΩ,±5%,brede style	1	3R53
04-5	B	17	R141K0006250	C/R	1/4W,1KΩ,±5%,brede style	1	3R67
04-5	B	18	R233K9004100	M/O	1/8W,3.9KΩ,±1%,brede style	1	2R11
04-5	B	19	R235K6004100	M/O	1/8W,5.6KΩ,±1%,brede style	1	2R5
04-5	B	20	R238K6604100	M/O	1/8W,8.66KΩ,±1%,brede style	1	2R6
04-5	B	21	R2312K004100	M/O	1/8W,12KΩ,±1%,brede style	1	2R4

擬制:

審核:

批准:

# 受控 BOM

表格編號: RD-QT-020-B			文件編號: RD-TD-020			頁次: 13/20	
版本: 1.0		機種編號: AC005{GK1}		文件序號:		生效日期:	
層次	類別	編號	料號	物料名稱	規格描述	用量	位號及備註
04-5	B	22	R3539R006100	metallic polyester capacitor	1/2W,39Ω,±5%,brede style	1	3R66
04-5	B	23	Q11042556011	C/C	104,VDC50,+80/-20%,Y5V,vertical basin type.brede style.brown	6	3C40,3C42,3C32-33 3C36-37
04-5	B	24	Q11044556011	C/C	104,VDC100,+80/-20%,Y5V,vertical basin type.brede style and grown	5	3C45-49
04-5	B	25	Q3104410A014	metallic polyester capacitor	104,VDC100,+/-5%,vertical box type.brede style,yellow	2	C1,C2
04-5	B	26	U1815GR01130	NPN TR	2SC1815GR,TO-92side-pin moulding brede style,TOSHIBA	6	2Q1 2Q3,2Q5,2Q4,2Q7,2Q8
04-5	B	27	U1015GR01130	PNP TR	2SA1015GR,TO-92side-pin moulding brede style,TOSHIBA	2	2Q2,2Q6
04-5	B	28	U1T103R01000	NPN TR	2SC2061T103R-T,TO-92side-pin moulding brede style	2	3Q18-19
04-5	B	29	D3C112V00100	zener diode	SOD-27,1/2W,12V,1N5242B,brede style	1	3Z1,
04-5	B	30	D3D213V00100	zener diode	DO-41,1W,13V,1N4743,brede style	1	1Z3
04-5	B	31	D3C13V300100	zener diode	SOD-27,1/2W,3.3V,brede style	1	1Z1
04-5	B	32	D1CN41480100	diode	DO-35,1N4148,,brede style	6	2D1,2D3,2D4,3D8,3D10,2D2
04-5	B	33	D1GN40040100	diode	D-41,1N4004,brede style	10	1D3-6 1D8-11 D1,D2
04-5	C	1	R361K0006270	MO/R	1W,1KΩ,±5%,horizontal,P=15mm	1	3R69
04-5	C	2	R3710R006283	MO/R	2W,10Ω,±5%,horizontal,P=17.5mm,H=10MM	1	3R68
04-5	C	3	R3975R006500	MO/R	5W,75Ω,±5%,vertical	1	3R58,H=10MM
04-5	C	4	Q31047108G26	metallic polyester capacitor	104,VDC250,+/-5%,vertical adhesive type,P=10mm,cutting the pin to be 6MM,blue	2	3C28,3C29
04-5	C	5	Q8104320AJ24	X2approved capacitor	104,VAC275,+/-10%,vertical box type,P=15mm,cutting the pin to be 6MM,yellow,華 倫	1	CX
04-5	C	6	C110R7736C10	E/C	10uF/50V,,±20%,-40/+85°C,,Φ5*11mm,P=2mm,black,cutting the pin to be 6MM	1	3C41
04-5	C	7	C11R07736C10	E/C	1uF/50V,±20%,-40/+85°C,,Φ5*11mm,P=2mm,black,cutting the pin to be 6MM	3	2C1,2C2,3C23

擬制:

審核:

批准:

# 受控 BOM

表格編號: RD-QT-020-B			文件編號: RD-TD-020			頁次: 14/20	
版本: 1.0		機種編號: AC005{GK1}		文件序號:		生效日期:	
層次	類別	編號	料號	物料名稱	規格描述	用量	位號及備註
04-5	C	8	C11R0A736C10	E/C	1uF/100V,±20%,- 40/+85°C,,Φ5*11mm,P=2mm,black,cutting the pin to be 6MM	1	3C22
04-5	C	9	C122R7736C10	E/C	22uF/50V,±20%,- 40/+85°C,,Φ5*11mm,P=2mm,black,cutting the pin to be 6MM	1	3C21
04-5	C	10	C147R5736C10	E/C	47uF/25V,±20%,- 40/+85°C,,Φ5*11mm,P=2mm,black,cutting the pin to be 6MM	1	3C19
04-5	C	11	C14716878F10	E/C	470uF/35V,±20%,- 40/+105°C,Φ10*16,P=5mm,black,cutting the pin to be 6MM	1	3C38
04-5	C	12	C11015736C10	E/C	100uF/25V,±20%,- 40/+85°C,Φ5*11m,P=2.0mm,black,cutting the pin to be 6MM	2	3C52,3C54,
04-5	C	13	C12214756D10	E/C	220uF/16V,±20%,- 40/+85°C,Φ6.3*11mm,P=2.5mm ,black,cutting the pin to be 6MM	3	3C51,3C53,3C18
04-5	C	14	C14716878F10	E/C	470uF/35V,±20%,- 40/+105°C,Φ10*16,P=5mm,black,cutting the pin to be 6MM	1	3C38
04-5	C	15	C12215866E10	E/C	220uF/25V,±20%,- 40/+105°C,Φ8*12mm,P=3.5mm ,black,cutting the pin to be 6MM	2	3C35,3C24
04-5	C	16	C1102688AF10	E/C	1000uF/35V,±20%,- 40/+105°C,Φ13*26mm,P=5mm,black,cuttin g the pin to be 6MM	1	3C50
04-5	C	17	C1222689BG10	E/C	2200uF/35V,±20%,- 40/+105°C,Φ16*27mm,P=7.5mm,black,cut ting the pin to be 6MM	2	3C30-31
04-5	C	18	C1682J7GNH12	E/C	6800uF/120V,±20%,- 40/+85°C,Φ40*60mm,P=10mm,black,cutting the pin to be 6MM冠坤	2	3C26-27
04-5	*C	19	U8M393N09060	IC	LM393N,DIP8,ST	1	U4
04-5	C	20	JP4013202130	JACK	AN-JP401,2532- 02,柏盛(180degree,P=2.5mm)	1	2J1
04-5	C	21	JP4023202150	JACK	AN-JP402,2532- 02,冠福(180degree,P=2.5mm)		
04-5	C	22	JP4033202160	JACK	AN-JP403,2532- 02,洪揚(180degree,P=2.5mm)		
04-5	C	23	JP4106103130	JACK	AN-JP410,3961- 03,柏盛(P=3.96mm,180degree)	1	CN2-B
04-5	C	24	JP4116103150	JACK	AN-JP411,3961- 03,冠福(P=3.96mm,180度)		
04-5	C	25	JP4126103160	JACK	AN-JP412,3961- 03,洪揚(P=3.96mm,180degree)		

擬制:

審核:

批准:

# 受控 BOM

表格編號: RD-QT-020-B			文件編號: RD-TD-020			頁次: 15/20	
版本: 1.0		機種編號: AC005{GK1}		文件序號:		生效日期:	
層次	類別	編號	料號	物料名稱	規格描述	用量	位號及備註
04-5	C	26	JP4106104130	JACK	AN-JP410,3961-04,柏盛(P=3.96mm,180degree)	1	CN3-B
04-5	C	27	JP4116104150	JACK	AN-JP411,3961-04,冠福(P=3.96mm,180degree)		
04-5	C	28	JP4126104160	JACK	AN-JP412,3961-04,洪揚(P=3.96mm,180degree)		
04-5	C	29	JP4138104130	JACK	AN-JP413,5081-04,柏盛 ( P=5.08MM,180degree )	2	120V ,230V
04-5	C	30	JP4258104160	JACK	AN-JP425,GY5081-04,洪揚(P=5.08MM,180degree)		
04-5	C	31	JP4013205130	JACK	AN-JP401,2532-05,柏盛(180degree,P=2.5mm)	2	CN1-B CN6-B
04-5	C	32	JP4023205150	JACK	AN-JP402,2532-05,冠福(180degree,P=2.5mm)		
04-5	C	33	JP4033205160	JACK	AN-JP403,2532-05,洪揚(180degree,P=2.5mm)		
04-5	C	34	JP4033206160	JACK	AN-JP403,2532-06,洪揚(180degree,P=2.5mm)	1	CN4-B
04-5	C	35	JP4013206130	JACK	AN-JP401,2532-06,柏盛(180degreeP=2.5mm)		
04-5	C	36	JP4023206150	JACK	AN-JP402,2532-06,冠福(180degree,P=2.5mm)		
04-5	D	1	U8815CV03060	IC	L7815CV,TO220,ST	1	U1
04-5	D	2	U8915CV03060	IC	L7915CV,TO220,ST	1	U2
04-5	D	3	U8805CV03060	IC	L7805CV,TO220,ST	1	U3
04-5	D	4	D21RS8027000	rectifier	DIP,RS802,虹揚	1	1D2
04-5	D	5	G02SFSS1G510	relay	AN-G02,SF-SS-112DM,16A,12VDC,國興	1	K1 ( 需UL,CE认证 )
04-5	D	6	H21001503090	fiber cannula	Φ1*15*0.3mm, white	8	for covering resistor 3R58,3R66,3R68-69
04-5	D	7	WE07232320C3	connecting socket wire with nothing	AN-WE07,2P,16#,UL1015,320mm,red and black(one end with E020H(without ear)airly connecting jack,one end peel wire 10mm).	1	AMP_OUT+/-
04-5	E	1	H51D018101A0	mica sheet	13*18*0.1mm,without adhesive,having one	3	墊U1,U2,U3
04-5	E	2	PSF10602MV00	insulator	品固:602M-V0	3	U1,U2,U3

擬制:

審核:

批准:

# 受控 BOM

表格編號: RD-QT-020-B			文件編號: RD-TD-020			頁次: 9/20	
版本: 1.0		機種編號: AC005{GK1}		文件序號:		生效日期:	
層次	類別	編號	料號	物料名稱	規格描述	用量	位號及備注
04-4	B	1	B1012651V020	PCB	GKX_AMP,94V0 single pange,AN-B10126,green, V1.0,2ounce	1	
04-4	B	2	RK0800500000	jumper	Φ0.8*5mm	1	JP1
04-4	B	3	RK0800750000	jumper	Φ0.8*7.5mm	7	JP18,20,21,22,24,28,29
04-4	B	4	RK0801250000	jumper	Φ0.8*12.5mm	9	JP6,10,12,16,17,23,30,32,33
04-4	B	5	RK0801500000	jumper	Φ0.8*15mm	5	JP15,19,26,27,31
04-4	B	6	R1347R006100	C/R	1/8W,47Ω,±5%,brede style	4	3R10-13
04-4	B	7	R1382R006100	C/R	1/8W,82Ω,±5%,brede style	2	3R16-17
04-4	B	8	R13510R06100	C/R	1/8W,510Ω,±5%,brede style	1	3R21
04-4	B	9	R13680R06100	C/R	1/8W,680Ω,±5%,brede style	4	3R27-30
04-4	B	10	R131K0006100	C/R	1/8W,1KΩ,±5%,brede style	4	3R8-9 3R14-15
04-4	B	11	R132K4006100	C/R	1/8W,2.4KΩ,±5%,brede style	1	3R20
04-4	B	12	R132K7006100	C/R	1/8W,2.7KΩ,±5%,brede style	2	3R4 3R7
04-4	B	13	R135K1006100	C/R	1/8W,5.1KΩ,±5%,brede style	2	3R5-6
04-4	B	14	R1310K006100	C/R	1/8W,10KΩ,±5%,brede style	2	3R3 3R22
04-4	B	15	R1315K006100	C/R	1/8W,15KΩ,M±5%,brede style	2	3R31-32
04-4	B	16	R1368K006100	C/R	1/8W,68KΩ,±5%,brede style	1	3R2
04-4	B	17	R1410R006100	C/R	1/4W,10Ω,±5%,brede style	2	3R36,3R35
04-4	B	18	R14270R06100	C/R	1/4W,270Ω,±5%,brede style	2	3R23-24
04-4	B	19	R23330R04100	M/O	1/8W,330Ω,±1%,brede style	1	3R39
04-4	B	20	R232K2004100	M/O	1/8W,2.2KΩ,±1%,brede style	1	3R1
04-4	B	21	R2311K004100	M/O	1/8W,11KΩ,±1%,brede style	1	3R38
04-4	B	22	R3720R006383	metallic polyester ca	2W,20Ω,±5%,,machining horizontal typeK pin,P=17.5mm,H=10mm	2	3R18-19
04-4	B	23	D1CN41480100	diode	DO-35,1N4148,brede style	5	3D1~3D5
04-4	B	24	D1GN40040100	diode	D-41,1N4004,brede style	2	3D6,3D7,P=10MM
04-4	C	1	R15220R06500	C/R	1/2W,220Ω,±5%,vertical	1	3R33,P=18MM

擬制:

審核:

批准:



# 受控 BOM

表格編號: RD-QT-020-B			文件編號: RD-TD-020			頁次: 10/20	
版本: 1.0		機種編號: AC005{GK1}		文件序號:		生效日期:	
層次	類別	編號	料號	物料名稱	規格描述	用量	位號及備注
04-4	C	2	R1310R006410	C/R	1/8W,10Ω,±5%,vertical,P=2.5MM,cutting the pin to be 6MM	1	RJ
04-4	C	3	R1410R006420	C/R	1/4W,10Ω,±5%,vertical,P=5MM,cutting the pin to be6MM	2	3R34 , 3R37
04-4	C	4	R1447R006420	C/R	1/4W,47Ω,±5%,vertical,P=5MM,cutting the pin to be6MM	2	3R25-26
04-4	C	5	R3710R006440	metallic polyester capacitor	2W,10Ω, ±5%,vertical,P=7.5mm,cutting the pin to be6MM	1	3R45
04-4	C	6	Q10054116011	C/C	5PF,VDC100,+/-5%,NPO,vertical basin type,brede style.brown	1	3C14
04-4	C	7	Q10222116011	C/C	22PF,VDC50,+/-5%,NPO,vertical basin type,brede style.brown	2	3C5 3C7
04-4	C	8	Q11022286011	C/C	102,VDC50,+/-10%,Y5P,vertical basin type,brede style.brown	1	3C2
04-4	C	9	Q11044556011	C/C	104,VDC100,+80/-20%,Y5V,vertical basin type,brede style.brown	1	3C17
04-4	C	10	Q3104410A014	metallic polyester capacitor	104,VDC100,+/-5%,vertical box type,brede style,yellow	1	3C20
04-4	C	11	Q3472310A014	metallic polyester capacitor	472,VDC63,+/-5%,vertical box type,brede style,yellow	2	3C12-13
04-4	C	12	Q3104310A014	metallic polyester capacitor	104,VDC63,+/-5%,vertical box type,brede style ,yellow	3	3C6 3C16 3C20
04-4	C	13	Q31047108G26	metallic polyester capacitor	104,VDC250,+/-5%,vertical adhesive type,P=10mm,cutting the pin to be 6MM,blue	2	3C10-11
04-4	C	14	C222R7832C10	superminiature E/C	22uF/50V,±20%,- 40/+105°C,Φ5*7mm,P=2.0mm,black,cutting the pin to be 6MM	1	3C1
04-4	C	15	C11014736C10	E/C	100uF/16V,±20%,- 40/+85°C,φ5*11mm,P=2mm,black,cutting the pin to be 6MM	1	3C15
04-4	C	16	C12214856D10	E/C	220uF/16V,±20%,- 40/+105°C,Φ6.3*11mm,P=2.5mm,black.cutting the pin to be 6MM	2	3C3-4
04-4	C	17	U1C342102130	NPN TR	2SC3421,TO-126plastic envelope,TOSHIBA	1	3Q7
04-4	C	18	U2A194312130	PNP TR	2SA1943,TOP-3L,TOSHIBA	2	3Q14-15
04-4	C	19	U2PSA9201000	PNP TR	MPSA92,TO-92 side-pin moulding	2	3Q1-2
04-4	C	20	U1PSA4201000	NPN TR	MPSA42,TO-92side-pin moulding	2	3Q3-4
04-4	C	21	U1815GR01130	NPN TR	2SC1815GR,TO-92side-pin moulding,TOSHIBA	1	3Q9

擬制:

審核:

批准:

# 受控 BOM

表格編號: RD-QT-020-B			文件編號: RD-TD-020			頁次: 11/20	
版本: 1.0		機種編號: AC005{GK1}		文件序號:		生效日期:	
層次	類別	編號	料號	物料名稱	規格描述	用量	位號及備註
04-4	C	22	U2015GR01130	PNP TR	2SA1015GR,TO-92side-pin moulding,TOSHIBA	1	3Q8
04-4	C	23	U13206Y01050	NPN TR	C3206Y,TO92side-pin moulding,KEC	2	3Q5 3Q11
04-4	C	24	U21024Y01050	PNP TR	A1024Y,TO-92side-pin moulding,KEC	2	3Q6 3Q10
04-4	C	25	JP4106104130	JACK	AN-JP410,3961-04,柏盛(P=3.96mm,180degree)	1	CN3-B
04-4	C	26	JP4116104150	JACK	AN-JP411,3961-04,冠福(P=3.96mm,180degree)		
04-4	C	27	JP4126104160	JACK	AN-JP412,3961-04,洪揚(P=3.96mm,180degree)		
04-4	D	1	R384R70062B3	MO/R	3W,4.7Ω,±5%,horizontal,P=25mm,H=10MM	1	3R44
04-4	D	2	R59R15246A20	cement RES	5W,0.15Ω,華盛,vertical,±5%,13*10*25mm,P=5mm	4	3R40-43
04-4	D	3	R9020K506203	thermistor	20K,宏儿,±5%,NTC,withΦ4.3MMstator	1	RTH
04-4	D	4	C1101B89BC10	E/C	100uF/160V,±20%,-40/+105°C,φ16*26mm,P=2mm,black	2	3C8-9
04-4	D	5	U1C520012130	NPN TR	2SC5200,TOP-3L,TOSHIBA	2	3Q16-17
04-4	D	6	U1C479303130	NPN TR	2SC4793,TO-220plastic envelope,TOSHIBA	1	3Q13
04-4	D	7	U2A183703130	PNP TR	2SA1837,TO-220plastic envelope,TOSHIBA	1	3Q12
04-4	D	8	H21001503090	fibre tube	Φ1*15*0.3mm, white	7	
04-4	D	9	I800801U2920	AIR COIL	AN-I8008,1.2uH,+/-30%,力威,LW-4767	1	3L1
04-4	D	10	W541279140K4	shield wire	AN-W541,2P,24#,UL2725,140mm.gray(GND wire is red ),宏揚(one end punch 2530socket,one end punch SCNjack)	1	CN5-B
04-4	D	11	W143561240K3	ribbon wire	AN-W143,5P,22#,UL1007,240mm,red,black,red,black,red,柏盛(one end punch 2530socket,one end punch 2520jack)	1	CN6-A
04-4	E	1	H52C028101A0	mica sheet	22*28*0.1mm,without adhesive,having one hole,transparent	4	墊大晶體.

擬制:

審核:

批准:

# 受控 BOM

表格編號: RD-QT-020-B			文件編號: RD-TD-020			頁次: 8/20	
版本: 1.2		機種編號: AC005{GK1}		文件序號:		生效日期:	
層次	類別	編號	料號	物料名稱	規格描述	用量	位號及備註
04-3	*A	1	B2010551V120	PCB	GKX_DSP,FR4single panel,AN-B20105,green V1.1 ,2ounce	1	
04-3	A	2	R62100R06300	SMT resistor	1/10W,100Ω,±5%,0805	1	R64
04-3	A	3	R62330R06300	SMT resistor	1/10W,330Ω,±5%,0805	4	R61-63 R65
04-3	A	4	R6220K006300	SMT resistor	1/10W,20KΩ,±5%,0805	10	R66-71 R76-77 R55-56
04-3	A	5	R6210K006300	SMT resistor	1/10W,10KΩ,±5%,0805	3	R59-R60,R32
04-3	A	6	Q5181211301A	SMT ceramic capacitor	181,VDC50,+/-5%,NPO,0805,brede style	4	C66-68 C71
04-3	A	7	Q5471223301A	SMT ceramic capacitor	471,VDC50,+/-10%,X7R,0805,brede style	1	C179
04-3	A	8	Q5102223301A	SMT ceramic capacitor	102,VDC50,+/-10%,X7R,0805,brede style	2	C58-59
04-3	*A	9	Q5104223301A	SMT ceramic capacitor	104,VDC50,+/-10%,X7R,0805,brede style	14	C73 C75 ,C60-62 C53 C56-57 C63-65.C90,C94,C1
04-3	*A	9'	C31R07436C30	low-leakage E/C	1uF/50V,±10%,-40/+85°C,Φ5*11mm, P=2.0mm,orange,cutting the pin for 6mm	1	C46
04-3	A	10	U84580M39070	IC	NJM4580M,DMP8,JRC	1	U6
04-3	A	11	U8L110118330	IC	AL1101,SOP16,ALESIS	1	U25
04-3	A	12	U8L120118330	IC	AL1201,SOP16,ALESIS	1	U27
04-3	A	13	U83201B68330	IC	AL3201B,SOIC16,ALESIS	1	U26
04-3	A	14	U8CT00D01150	IC	74HCT00D,SOP14,PHILIPS	1	U10
04-3	A	15	U8HC04D01150	IC	74HC04D,SOP14,PHILIPS	1	U11
04-3	C	1	C210R7732C10	superminiature E/C	10uF/50V,±20%,-40/+85°C,Φ5*7mm,P=2.0mm,black,cutting the pin for 6MM	2	C72 C74
04-3	C	2	C222R5732C10	superminiature E/C	22uF/25V,±20%,-40/+85°C,Φ5*7mm,P=2.0mm,black,cutting the pin for 6MM	1	C52
04-3	C	3	C247R5732C10	superminiature E/C	47uF/25V,±20%,-40/+85°C,Φ5*7mm,P=2.0mm,black.cutting the pin for 6MM	1	C87
04-3	C	4	O30512318300	ceramic oscillator	AN-O305,12MHz,ZTT,30PF	1	M1
04-3	D	1	JP3245385110	slot connect	AN- JP324, PH2.54,1*6P*2,L23.5/3./8.5,維峰(6P, P=2.54 ,180degree )	2	J1-B,J2-B

擬制:

審核:

批准:

# 受控 BOM

表格編號: RD-QT-020-B			文件編號: RD-TD-020			頁次: 4/20	
版本: 1.0		機種編號: AC005{GK1}		文件序號:		生效日期:	
層次	類別	編號	料號	物料名稱	規格描述	用量	位號及備注
04-2	B	1	B1012951V010	PCB	GK1_REAR,94V0 single panel,AN-B10129,green,V1.0,1ounce	1	
04-2	B	2	RK0800500000	jumper	Φ0.8*5mm	6	JP35.36.53.54.55.56
04-2	B	3	RK0800750000	jumper	Φ0.8*7.5mm	17	JP34,37,39~43,45~52,60,61
04-2	B	4	RK0801000000	jumper	Φ0.8*10mm	32	J2~31,38,44
04-2	B	5	RK0801250000	jumper	Φ0.8*12.5mm	1	JP59
04-2	B	6	RK0801500000	jumper	Φ0.8*15mm	1	JP58
04-2	B	7	RK0801750000	jumper	Φ0.8*17.5mm	1	JP57
04-2	B	8	RK0802000000	jumper	Φ0.8*20mm	1	JP1
04-2	B	9	R1368R006100	C/R	1/8W,68Ω,±5%,brede style	1	RH5
04-2	B	10	R1375R006100	C/R	1/8W,75Ω,±5%,brede style	2	R41,R48
04-2	B	11	R13100R06100	C/R	1/8W,100Ω,±5%,brede style	4	R16-17 R33-34
04-2	B	12	R131K5006100	C/R	1/8W,1.5KΩ,±5%,brede style	1	1R18
04-2	B	13	R132K2006100	C/R	1/8W,2.2KΩ,±5%,brede style	5	R39,R46,1R17,R49,R42
04-2	B	14	R135K1006100	C/R	1/8W,5.1KΩ,±5%,brede style	1	RH9
04-2	B	15	R136K2006100	C/R	1/8W,6.2KΩ,±5%,brede style	1	RH12
04-2	B	16	R1312K006100	C/R	1/8W,12KΩ,±5%,brede style	1	RH1
04-2	B	17	R1375K006100	C/R	1/8W,75KΩ,±5%,brede style	1	RH2
04-2	B	18	R1310M006100	C/R	1/8W,10MΩ,±5%,brede style	1	RH7
04-2	B	19	R1410R006250	C/R	1/4W,10Ω,±5%,brede style	4	R50 R103-104,R43
04-2	B	20	R23100R04100	M/O	1/8W,100Ω,±1%,brede style	1	R44
04-2	B	21	R234K9904100	M/O	1/8W,4.99KΩ,±1%,brede style	1	RH14
04-2	B	22	R2329K404100	M/O	1/8W,29.4KΩ,±1%,brede style	1	RH13
04-2	B	23	R23100K04100	M/O	1/8W,100KΩ,±1%,brede style	3	R18 R36,RH8
04-2	B	24	R2347R004100	M/O	1/8W,47Ω,±1%,brede style	1	1R46
04-2	B	25	R23681R04100	M/O	1/8W,681Ω,±1%,brede style	2	1R7-8
04-2	B	26	R231K0004100	M/O	1/8W,1K,±1%,brede style	4	R51-52,R40,1R9
04-2	B	27	R233K0104100	M/O	1/8W,3.01KΩ,±1%,brede style	2	1R13,1R14
04-2	B	28	R233K3204100	M/O	1/8W,3.32KΩ,±1%,brede style	2	1R5-6
04-2	B	29	R237K5004100	M/O	1/8W,7.5KΩ,±1%,brede style	3	1R11 1R15-16

擬制:

審核:

批准:

# 受控 BOM

表格編號: RD-QT-020-B			文件編號: RD-TD-020			頁次: 5/20	
版本: 1.0		機種編號: AC005{GK1}		文件序號:		生效日期:	
層次	類別	編號	料號	物料名稱	規格描述	用量	位號及備注
04-2	B	30	R2310K004100	M/O	1/8W,10KΩ,±1%,brede style	3	R45,3R2,3R3
04-2	B	31	R2310K004100	M/O	1/8W,10KΩ,±1%,brede style	25	1R28-29,1R37-38,2R1-2,2R8-9,1R39,1R41,2R3,3R7,4R3,4R7,4R10,2R7,2R10,R38,3R1,3R5,3R9,4R1-2,4R8-9,
04-2	B	32	R24100R04100	M/O	1/4W,100Ω,±1%,brede style	1	R37
04-2	B	33	R2410K004100	M/O	1/4W,10kΩ,±1%,brede style	2	1R27 1R36
04-2	B	34	Q12012116011	C/C	201,VDC50,+/-5%,NPO,vertical basin type,brede style,brown	16	1C7 1C33-34 1C59 2C5-8,3C5-8 4C5-8
04-2	B	35	Q11012116011	C/C	101,VDC50,+/-5%,NPO,vertical basin type,brede style,brown	1	CH5
04-2	B	36	Q12212116011	C/C	221,VDC50,+/-5%,NPO,vertical basin type,brede style,brown	2	1C9-10
04-2	B	37	Q14712286011	C/C	471,VDC50V,+/-10%,Y5Pvertical basin type,brede style,brown	18	1C5-6 1C18-19 2C1-4 C12 C24,3C1-4 4C1-4
04-2	B	38	Q15612286011	C/C	561,VDC50,+/-10%,Y5P,vertical basin type,brede style,brown	2	C33,C36
04-2	B	39	Q11022286011	C/C	102,VDC50,+/-10%,Y5P,vertical basin type,brede style,brown	6	1C1-2,C27,C31,C37,C54
04-2	B	40	Q11032286011	C/C	103,VDC50,+/-10%,Y5P,vertical basin type,brede style,brown	2	C47,C55
04-2	*B	41	Q11042556011	C/C	104,VDC50,+80/-20%,Y5V,vertical basin type,brede style,brown	25	1C23-26 2C18-19 C38-39 C50-51 CG1-6,3C9,3C18-19 4C18-19,CH7-CH10
04-2	B	42	Q3104310A014	metallic polyester capacitor	104,VDC63,+/-5%,vertical box type,brede style.yellow	2	C28 C32
04-2	B	43	Q3224310A014	metallic polyester capacitor	224,VDC63,+/-5%,vertical box type,brede style.yellow	3	CH1.2.3
04-2	B	44	D1CN41480530	diode	DO-35,1N4148,brede style	1	D6
04-2	C	1	R133K9006410	C/R	1/8W,3.9KΩ,±5%,vertical,P=2.5MM,cutting the pin to be 6MM	1	RH3
04-2	C	2	R13560K06410	C/R	1/8W,560KΩ,±5%,vertical,P=2.5MM,cutting the pin to be 6MM	2	RH10.RH11
04-2	C	3	R23120R04410	M/O	1/8W,120Ω,±1%,vertical,P=2.5mm,cutting the pin to be 6MM	1	1R40
04-2	C	4	R231K0004410	M/O	1/8W,1KΩ,±1%,vertical,P=2.5mm,cutting the pin to be 6MM	1	R47

擬制:

審核:

批准:

# 受控 BOM

表格編號: RD-QT-020-B			文件編號: RD-TD-020			頁次: 6/20	
版本: 1.0		機種編號: AC005{GK1}		文件序號:		生效日期:	
層次	類別	編號	料号	物料名称	规格描述	用量	位号及备注
04-2	C	5	R231K0004420	M/O	1/8W,1KΩ,±1%,立式,P=5mm,cutting the pin to be 6MM	1	1R10
04-2	C	6	R237K5004410	M/O	1/8W,7.5KΩ,±1%,立式,P=2.5mm,cutting the pin to be6MM	1	1R12
04-2	C	7	R2310K004410	M/O	1/8W,10KΩ,±1%,立式,P=2.5mm,cutting the pin to be6MM	8	RH15,RH4,3R10,2R4,RH16,RH6,4R4,3R4
04-2	C	8	C247R5732C10	superminiature E/C	47uF/25V,±20%,-40/+85°C,Φ5*7mm,P=2.0mm,black,cutting the pin to be6MM	1	1C4
04-2	C	9	C110R5736C10	E/C	10uF/25V,±20%,-40/+85°C,Φ5*11mm,P=2mm,black,cutting the pin to be6MM	3	C48 -49,CH6
04-2	C	10	C147R5736C10	E/C	47uF/25V,±20%,-40/+85°C,Φ5*11mm,P=2mm,black,cutting the pin to be6MM	8	1C3,1C48 C11 C23 C25 C29 ,CH4,CH11
04-2	C	11	C11014736C10	E/C	100uF/16V,±20%,-40/+85°C,Φ5*11mm,P=2mm,black,cutting the pin to be6MM	2	C34-35
04-2	C	12	C12213736C10	E/C	220uF/10V,±20%,-40/+85°C,Φ5*11mm,P=2mm,black,cutting the pin to be6MM	2	C26.C30
04-2	C	13	C11024K68E10	E/C	1000UF/10V,-10/+30%,-40/+85°C,Φ 8 *16mm,P=3.5mm,black,cutting the pin to be6MM	1	1C11
04-2	C	14	U84580L14070	IC	NJM4580L,SIP8,JRC	8	U4 1U1-2 2U1,3U1,4U1,U5,U9
04-2	C	15	U2N440301000	PNP TR	2N4403,TO-92 side pin moulding	4	1Q1-4
04-2	C	16	D1CN41480410	diode	DO-35,1N4148,vertical,P=2.5MM,cutting the pin to be6MM	5	D1-5
04-2	C	17	U5N700001000	channel N MOStube	2N7000,TO-92 side pin moulding	1	Q1
04-2	C	18	JP4013202130	jack	AN-JP401,2532-02,柏盛(180degree,P=2.5mm)	1	CN5-A
04-2	C	19	JP4023202150	jack	AN-JP402,2532-02,冠福(180degree,P=2.5mm)		
04-2	C	20	JP4033202160	jack	AN-JP403,2532-02,洪扬(180degree,P=2.5mm)		
04-2	C	21	JP4063305160	jack	AN-JP406,2533-05,洪扬(90degree,P=2.5mm)	1	CN3-B
04-2	C	22	JP4043305130	jack	AN-JP404,2533-05,柏盛(90degree,P=2.5mm)		
04-2	C	23	JP4053305150	jack	AN-JP405,2533-05,冠福(90degree,P=2.5mm)		
04-2	C	24	JP4063308160	jack	AN-JP406,2533-08,洪扬(90degree,P=2.5mm)	1	CN1-A

擬制:

審核:

批准:



# 受控 BOM

表格編號: RD-QT-020-B			文件編號: RD-TD-020			頁次: 1/20	
版本: 1.0			機種編號: AC005{GK1}		文件序號:		生效日期:
層次	類別	編號	料號	物料名稱	規格描述	用量	位號及備註
04-1	B	1	B1012851V010	PCB	GK1_FRONT,94V0 single panel,AN-B10128,green,1ounce V1.0	1	
04-1	B	2	RK0800500000	jumper	Φ0.8*5mm	10	JP5.7.17.20.38.40.50.70.78.82.
04-1	B	3	RK0800750000	jumper	Φ0.8*7.5mm	29	JP1.2.3.6.14.25.26.27.28.34~36.41.47.48.49.51~53.56.59.61.62.65.69.73.76.77.80
04-1	B	4	RK0801000000	jumper	Φ0.8*10mm	12	JP8.11.15.18.21.22.24.32.54.58.72.75
04-1	B	5	RK0801250000	jumper	Φ0.8*12.5mm	14	JP4.9.10.13.29.30.31.42.45.46.60.64.66.71
04-1	B	6	RK0801500000	jumper	Φ0.8*15mm	6	JP.33.57.63.68.74.79
04-1	B	7	RK0801750000	jumper	Φ0.8*17.5mm	9	JP16.12.19.23.37.43.44.55.81
04-1	B	8	RK0802000000	jumper	Φ0.8*20mm	2	JP39.67
04-1	B	9	R13R00006100	C/R	1/8W,0Ω,±5%,brede style	2	R14 R31
04-1	B	10	R135K1006100	C/R	1/8W,5.1KΩ,±5%,brede style	2	R74-75
04-1	B	11	R1311K006100	C/R	1/8W,11KΩ,±5%,brede style	4	1R25 1R44 2R12,2R17,
04-1	B	12	R13100K06100	C/R	1/8W,100KΩ,±5%,brede style	9	1R56 2R5 2R23,3R5,4R5 4R23,R15,R30,1R58
04-1	B	13	R13100K06100	C/R	1/8W,100KΩ,±5%,brede style	1	3R23
04-1	B	14	R131M0006100	C/R	1/8W,1MΩ,±5%,brede style	8	1R04,1R24,1R34-35,R3,R6 R26 R35
04-1	B	15	R23100R04100	M/O	1/8W,100Ω,±1%,brede style	6	2R11 2R16,3R11 3R16 4R11 4R16
04-1	B	16	R233K9004100	M/O	1/8W,3.9KΩ,±1%,brede style	4	1R49 2R29,3R29 4R29
04-1	B	17	R234K9904100	M/O	1/8W,4.99KΩ,±1%,brede style	23	1R19 1R47-48 1R59 2R6 2R14-15 ,3R6 3R14-15 , 4R6 4R14-15 ,1R50,2R13 2R28,3R13 3R28 ,R80-81,4R13 4R28.2R24
04-1	B	18	R234K9904100	M/O	1/8W,4.99KΩ,±1%,brede style	3	1R51,3R24,4R24
04-1	B	19	R236K2004100	M/O	1/8W,6.2KΩ,±1%,brede style	3	R20,1R23,1R30
04-1	B	20	R2310K004100	M/O	1/8W,10KΩ,±1%,brede style	15	R2 R4-5 R7 R10 R23-25 R27,1R20-22 ,1R31-33

擬制:

審核:

批准:



# 受控 BOM

表格編號: RD-QT-020-B			文件編號: RD-TD-020			頁次: 2/20		
版本: 1.0			機種編號: AC005{GK1}		文件序號:		生效日期:	
層次	類別	編號	料號	物料名稱	規格描述	用量	位號及備注	
04-1	B	21	R2320K004100	M/O	1/8W,20KΩ,±1%,brede style	1	R13	
04-1	B	22	R2321K004100	M/O	1/8W,21KΩ,±1%,brede style	2	R8 R29	
04-1	B	23	R2329K404100	M/O	1/8W,29.4KΩ,±1%,brede style	3	R21-22,R9	
04-1	B	24	R2329K404100	M/O	1/8W,29.4KΩ,±1%brede style	1	R11	
04-1	B	25	R351K0006100	MO/R	1/2W,1KΩ,±5%,brede style	2	R78	
04-1	B	26	Q10102116011	C/C	10PF,VDC50,+/-5%,NPO,vertical and basin type,brede style,brown	4	1C16 1C21,C17,C5	
04-1	B	27	Q10472116011	C/C	47PF,VDC50,+/-5%,NPO,vertical and basin type,brede style,brown	3	C85 C7 C20	
04-1	B	28	Q10682116011	C/C	68PF,VDC50,+/-5%,NPO,vertical and basin type,brede style,brown	8	1C17 1C37 2C13-14,3C13-14 4C13-14	
04-1	B	29	Q11012116011	C/C	101,VDC50,+/-5%,NPO,vertical and basin type,brede style,brown	2	C79 C81	
04-1	B	30	Q11042556011	C/C	104,VDC50,+80/-20%,Y5V,vertical and basin type,brede style,brown	18	1C27-28 1C30-31 2C20-21 C40-45 C82-83,3C20-21 4C20-21	
04-1	C	1	R1311K006410	C/R	1/8W,11KΩ,±5%,vertical,P=2.5MM,cutting the pin	4	3R12,3R17,4R12 , 4R17	
04-1	C	2	R236K2004410	M/O	1/8W,6.2KΩ,±1%,vertical ,P=2.5mm,cutting the pin to be 6MM	1	R1	
04-1	C	3	R2310K004410	M/O	1/8W,10KΩ,±1%,vertical,P=2.5mm,cutting the pin	3	R28,R4.1R22	
04-1	C	4	R351K0004240	MO/R	1/2W,1KΩ,±5%,vertical,P=7.5mm,cutting the pin to	1	R57	
04-1	C	5	C12213736C10	E/C	220uF/10V,±20%, -40/+85°C,Φ5*11mm,P=2mm,black,cutting the pin to be 6MM	6	1C20,1C36,2C16,3C15-16 4C15	
04-1	C	6	C147R5736C10	E/C	47uF/25V,±20%, -40/+85°C,Φ5*11mm,P=2mm,black,cutting the pin to be 6MM	23	1C8 1C32 1C50 1C52 ,1C90 2C9,2C11,2C12 ,C1 C9-10, C13 C21-22 C78 C80 C84,C69,3C9,3C11,3C12 4C9,4C12	
04-1	C	7	C247R5732C10	superminiature E/C	47uF/25V,±20%, -40/+85°C,Φ5*7mm,P=2.0mm,black,cutting the pin to be 6MM	6	2C10,4C10,11,C70,3C10,1C88	
04-1	C	8	C22213732C10	superminiature E/C	220uF/10V,±20%, -40/+85°C,Φ5*7mm,P=2.0mm,black,cutting the pin to be 6MM	2	2C15,4C16	
04-1	C	9	Q22224108325	polyester capaci	222,VDC100,+/-5%,vertical adhesive type,P=3.5mm,cutting the pin to be 6MM,green	4	C6,C8 C18-19	
04-1	C	10	Q23924108325	polyester capaci	392,VDC100,+/-5%,vertical adhesive type,P=3.5mm,cutting the pin to be 6MM,green	4	1C15 1C22 C2 C14	

擬制:

審核:

批准:

# 受控 BOM

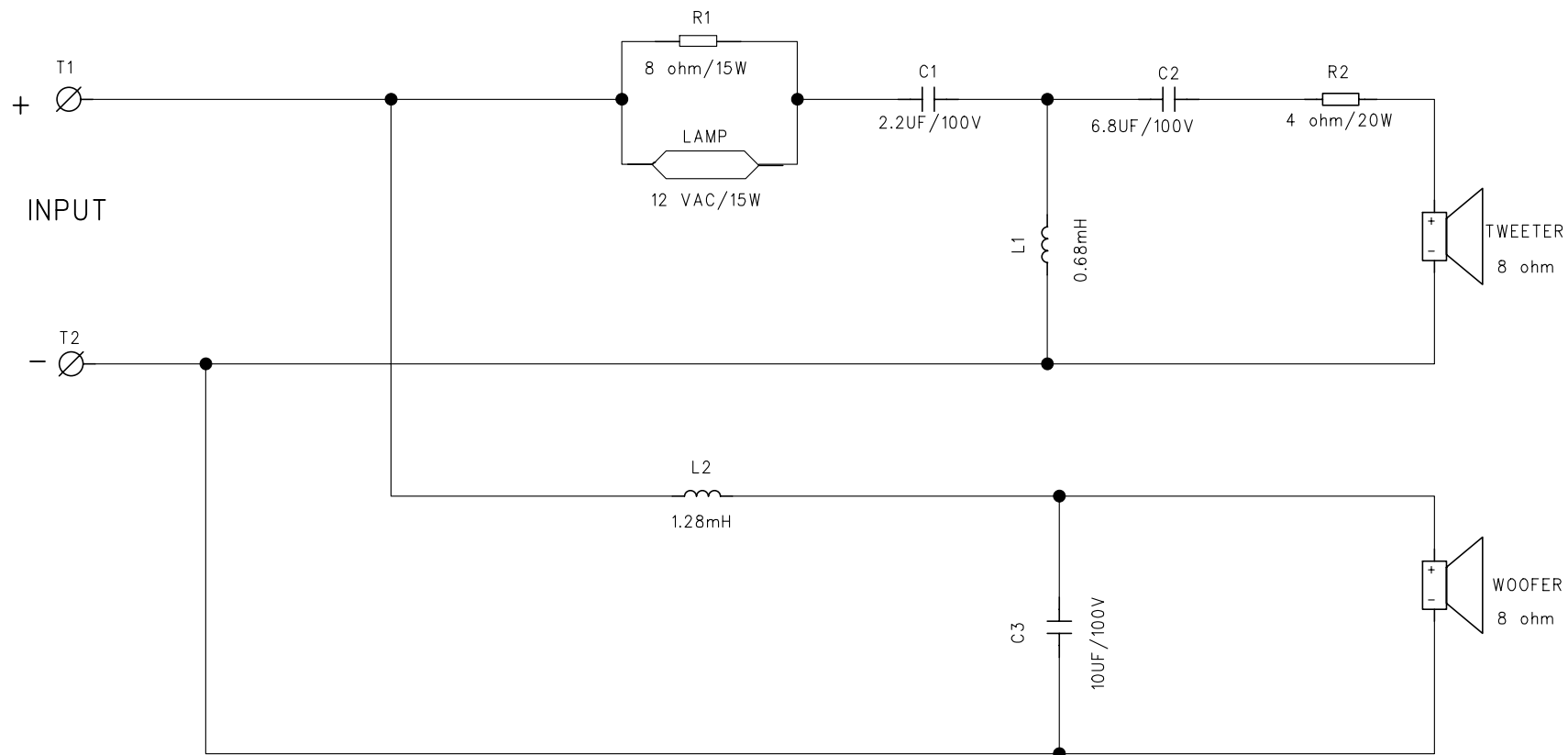
表格編號: RD-QT-020-B			文件編號: RD-TD-020			頁次: 3/20	
版本: 1.0			機種編號: AC005{GK1}		文件序號:		生效日期:
層次	類別	編號	料號	物料名稱	規格描述	用量	位號及備注
04-1	C	11	Q22234108625	polyester capaci	223,VDC100,+/-5%,vertical adhesive type,P=5mm,cutting the pin to be6MM,green	8	1C13--14 1C29 1C35 C3-4 C15-16
04-1	C	12	JP4013202130	jack	AN-JP401,2532-02,柏盛(180degree,P=2.5mm)	1	LED
04-1	C	13	JP4023202150	jack	AN-JP402,2532-02,冠福(180degree,P=2.5mm)		
04-1	C	14	JP4033202160	jack	AN-JP403,2532-02,洪揚(180degree,P=2.5mm)		
04-1	C	15	JP802B26Y370	board-to-board connector	AN-JP801,2.54B-2-6Y,精實(6P,P=2.54,180degree)	2	J1-A,J2-A
04-1	D	1	U84580L14070	IC	NJM4580L,SIP8,JRC	10	1U4-5 2U2 U1-3 U7-8,3U2 4U2
04-1	D	2	V15D1103RV10	rotary VR	AN-V15D,single connector,A10K,RV09B-40E1N-165F-A10K-A,艾華,without nut and gasket	4	1VR5 2VR2,3VR2 4VR2
04-1	D	3	V12N2103RV10	rotary VR	AN-V12N,double connector,A10K,RV112B-40E1N-175A-A10K-A,艾華,without nut and gasket	5	1VR3 2VR1 VR4,3VR1 4VR1
04-1	D	4	V15C2503RV10	rotary VR	AN-V15C,double connector,B50K,RV112B-40E1N-175A-B50K-A(ALPHA),sime-circle handle,L=17.5MM with midpoint N	5	1VR1-2 VR1-3
04-1	D	5	S81100B12080	code switch	AN-S811,ES162102E0B-HA1-16P9-FE200B120,升威	1	S2
04-1	D	6	W144661150K3	ribbon wire	AN-W144,6P,22#,UL1007,150mm,red,black,red,black,red,black,柏盛(one end punch2530socket,one end punch 2520)	1	CN4-A
04-1	D	7	WD108HC400K4	屏蔽附线	AN-WD10,8P,24#/22#,UL1007/UL2725,400mm,white,green,black,yellow,black,red,and groundwire is red,宏揚(one end punch socket 2530H-08,one end punch 2520)	1	CN1-B
04-1	D	8	W54357940084	shield wire	AN-W543,5P,24#,UL2725,400mm,,gray(black,green,white and the groundwire is red),宏揚(one end punch 2530socket,one end	1	CN6-B
04-1	D	9	W542479400K4	shield wire	AN-W542,4P,24#,UL2725,400mm,gray(black,green,white and the groundwire is red),宏揚(one end punch 2530 socket,one end punch 2520)	1	CN3-A

擬制:

審核:

批准:





COMPANY:					HOMNI ENTERPRISES CO.,LTD.				
TITLE:					GK1 CROSSOVER				
DRAWN:	DATED:	CHECKED:	APPROVED:	DATED:					
Xu Li	04.07.29								
DWG NO.: PT-X-XXXX-XX		SCALE:	SIZE:A3	REV:1.00	SHEET: 1 OF 1				