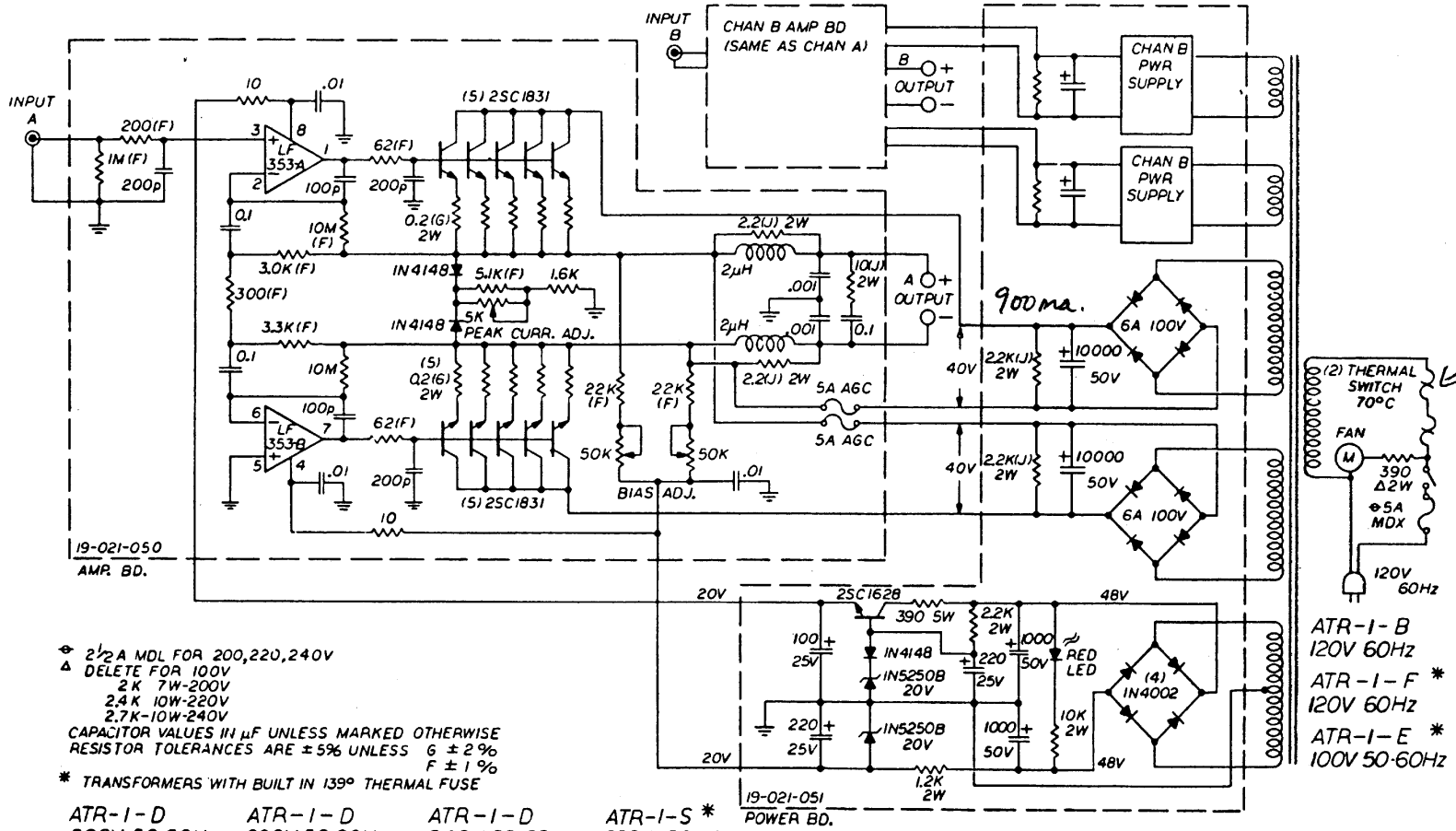


CIRCUIT TOPOLOGY COVERED BY U.S. PATENT NO: 4229706



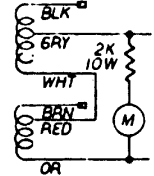
ELMWOOD
SENSORS

- ⊕ 2 1/2 A MDL FOR 200, 220, 240V
- △ DELETE FOR 100V
- 2K 7W-200V
- 2.4K 10W-220V
- 2.7K-10W-240V

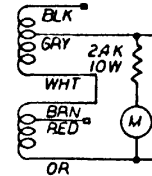
CAPACITOR VALUES IN µF UNLESS MARKED OTHERWISE
RESISTOR TOLERANCES ARE ±5% UNLESS 6 ± 2%
F ± 1%

* TRANSFORMERS WITH BUILT IN 139° THERMAL FUSE

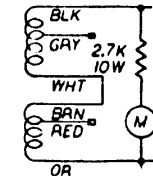
ATR-1-D
200V 50-60Hz



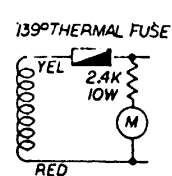
ATR-1-D
220V 50-60Hz



ATR-1-D
240V 50-60Hz



ATR-1-S *
220V-50-60Hz



DATE
6-22-81

SUMO/ALL AMERICAN AUDIO, INC.
(213) 991-5330 Westlake, CA

MODEL NINE - DUAL DIFFERENTIAL 70WATTS/CHAN CLASS A AMPLIFIER		
DRAWN	APPR.	PART NO.
REV.		B