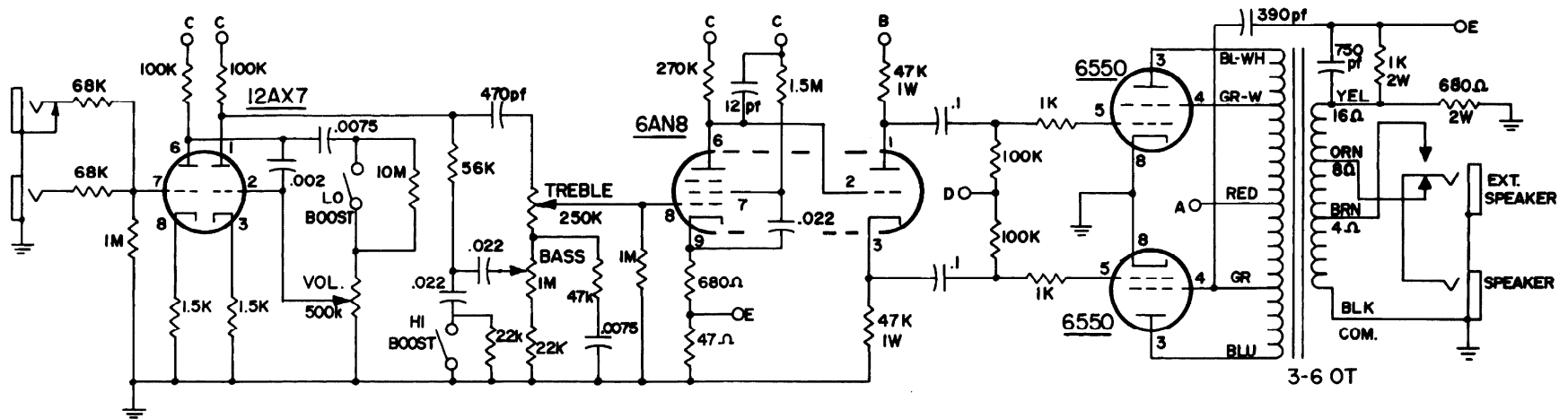
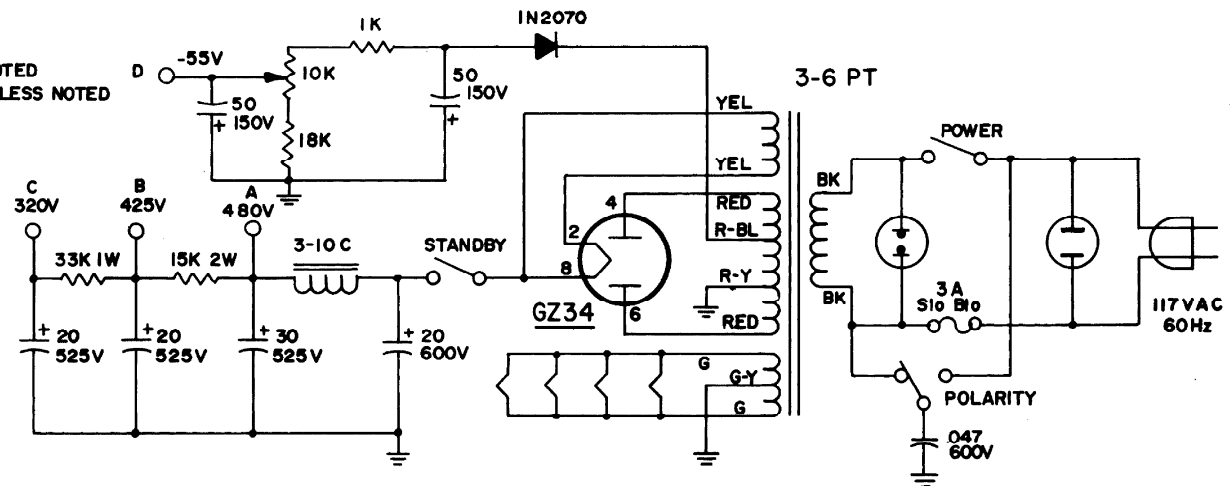


# SONIC II/1-40/200s/SORADO

Sunn



NOTES:  
RESISTORS 1/2W 10% UNLESS NOTED  
CAPACITORS ARE MICROFARADS UNLESS NOTED



MODELS

- SONIC II
- 200 S
- SORADO
- SONIC I-40

