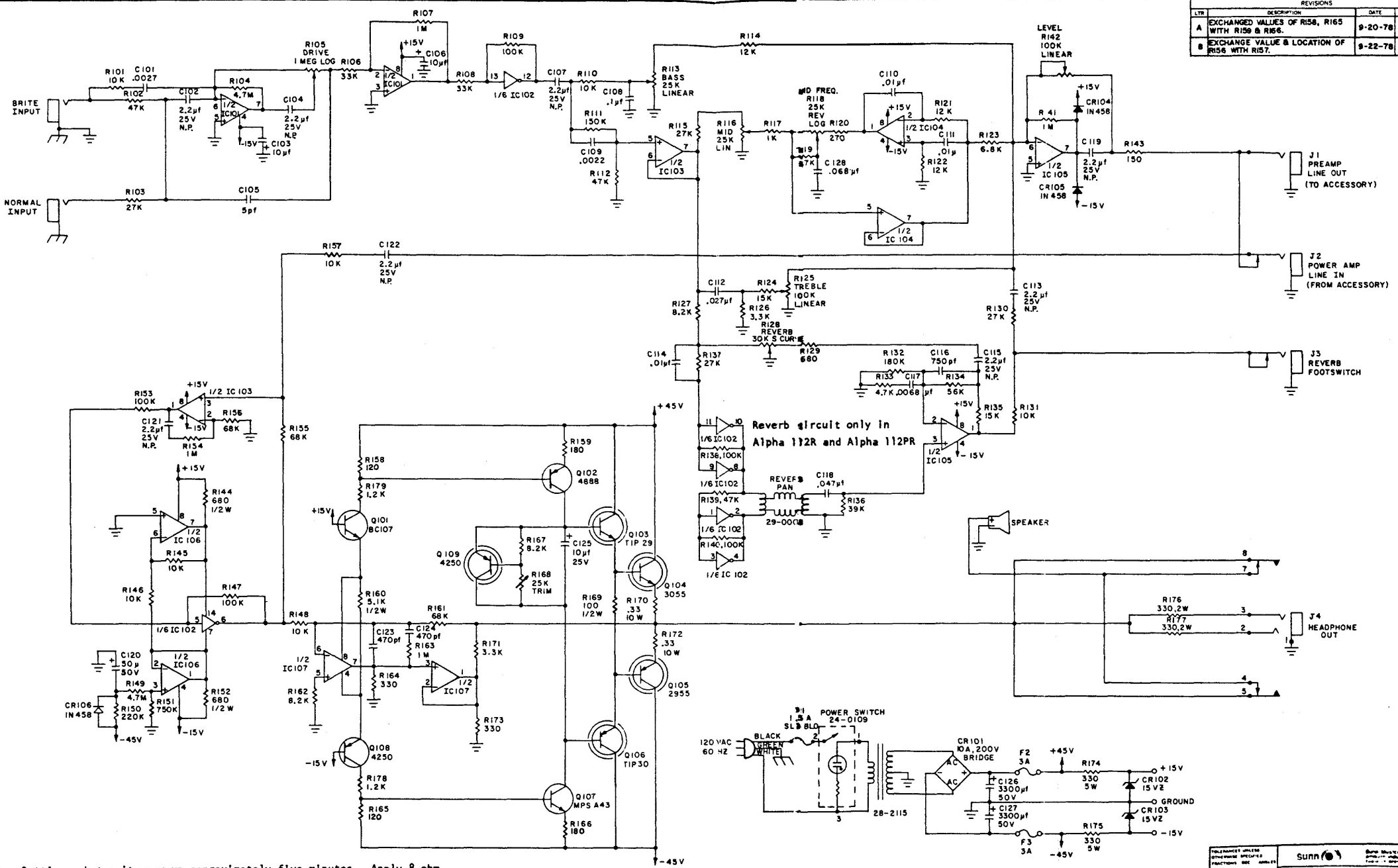


REVISIONS			
LTN	DESCRIPTION	DATE	APP.
A	EXCHANGED VALUES OF R158, R165 WITH R159 & R166.	9-20-78	CP
B	EXCHANGE VALUE & LOCATION OF R156 WITH R157.	9-22-78	CP



Bias Setting: Let unit warm up approximately five minutes. Apply 8 ohm Load to power amp. Disconnect preamp from power amp by inserting shorted plug into "Accessory From" jack. Measure voltage across emitter resistors, R172 and R170. Bias voltage should be $6\text{ mV} \pm .5\text{ mV}$.

TOLERANCES UNLESS OTHERWISE SPECIFIED		SUNN		SUNN ELECTRONIC EQUIPMENT CO.	
FUNCTIONS NOT SHOWN		APPROVALS		DATE	
DESIGNED BY		DRAWN BY		CHECKED BY	
DATE		DATE		DATE	
PROJECT NO.		REV.		REV.	
D 1100		B		SHEET 1 OF 1	