

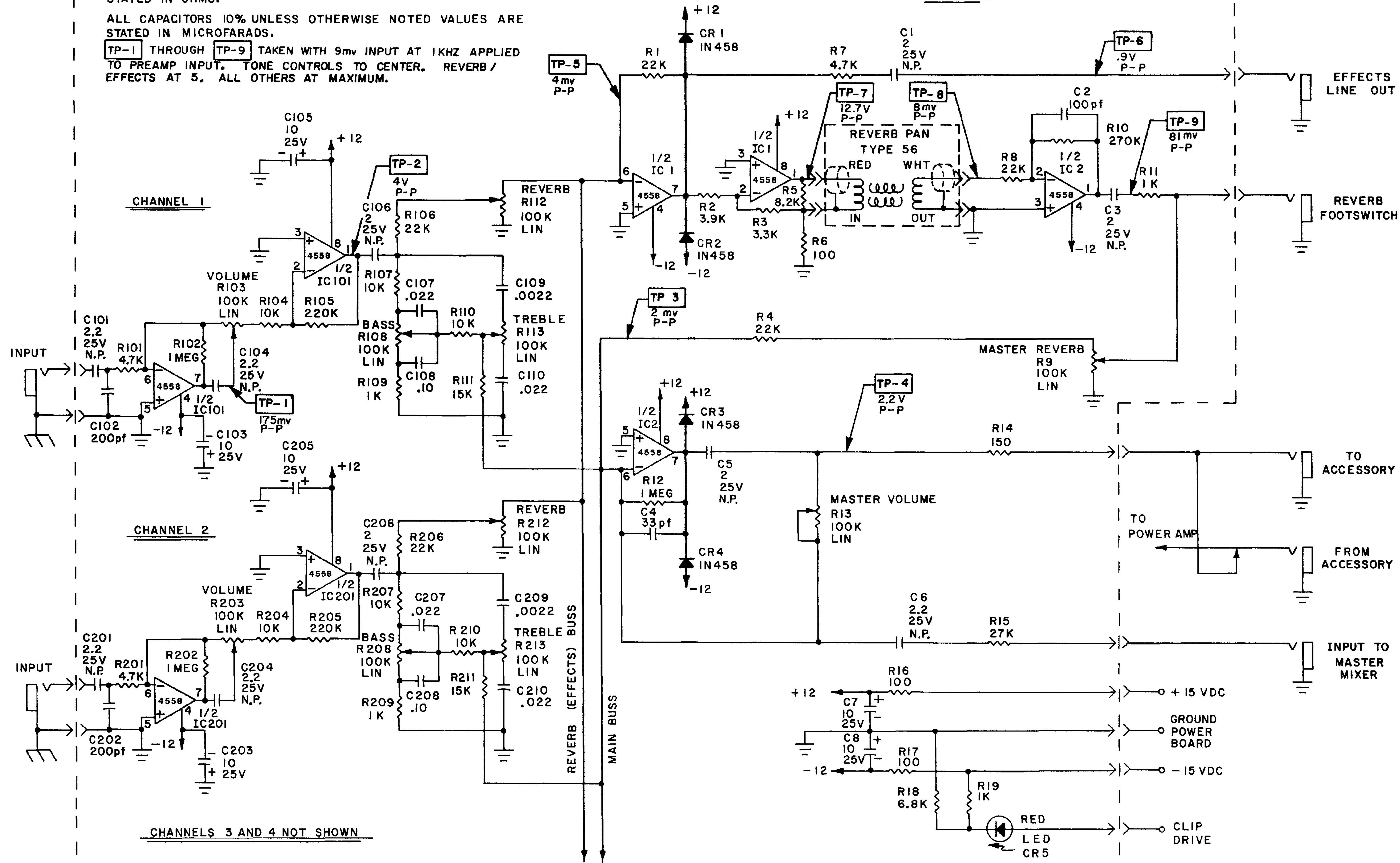
NOTES

ALL RESISTORS 1/2W, 5% UNLESS OTHERWISE NOTED VALUES ARE STATED IN OHMS.

ALL CAPACITORS 10% UNLESS OTHERWISE NOTED VALUES ARE STATED IN MICROFARADS.

TP-1 THROUGH TP-9 TAKEN WITH 9mv INPUT AT 1KHZ APPLIED TO PREAMP INPUT. TONE CONTROLS TO CENTER. REVERB / EFFECTS AT 5, ALL OTHERS AT MAXIMUM.

ALPHA 4 PRE AMP SCHEMATIC



CHANNELS 3 AND 4 NOT SHOWN