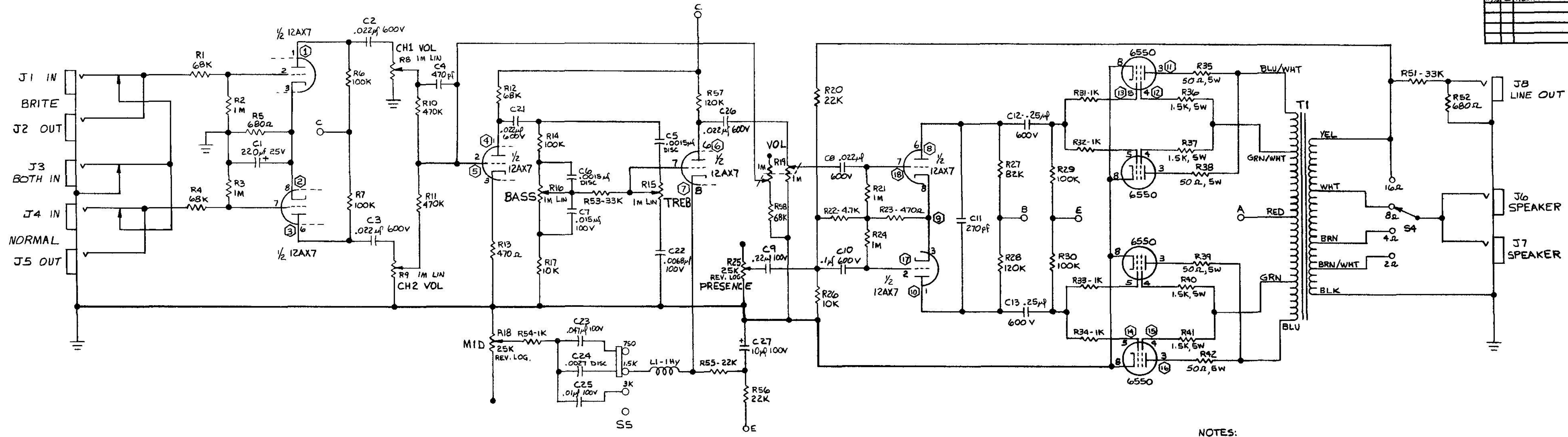


DATE	BY	REVISION	RECORD	ECN	OR	CR.
1/1/75	C	REDRAW	ADD R58	011	58	

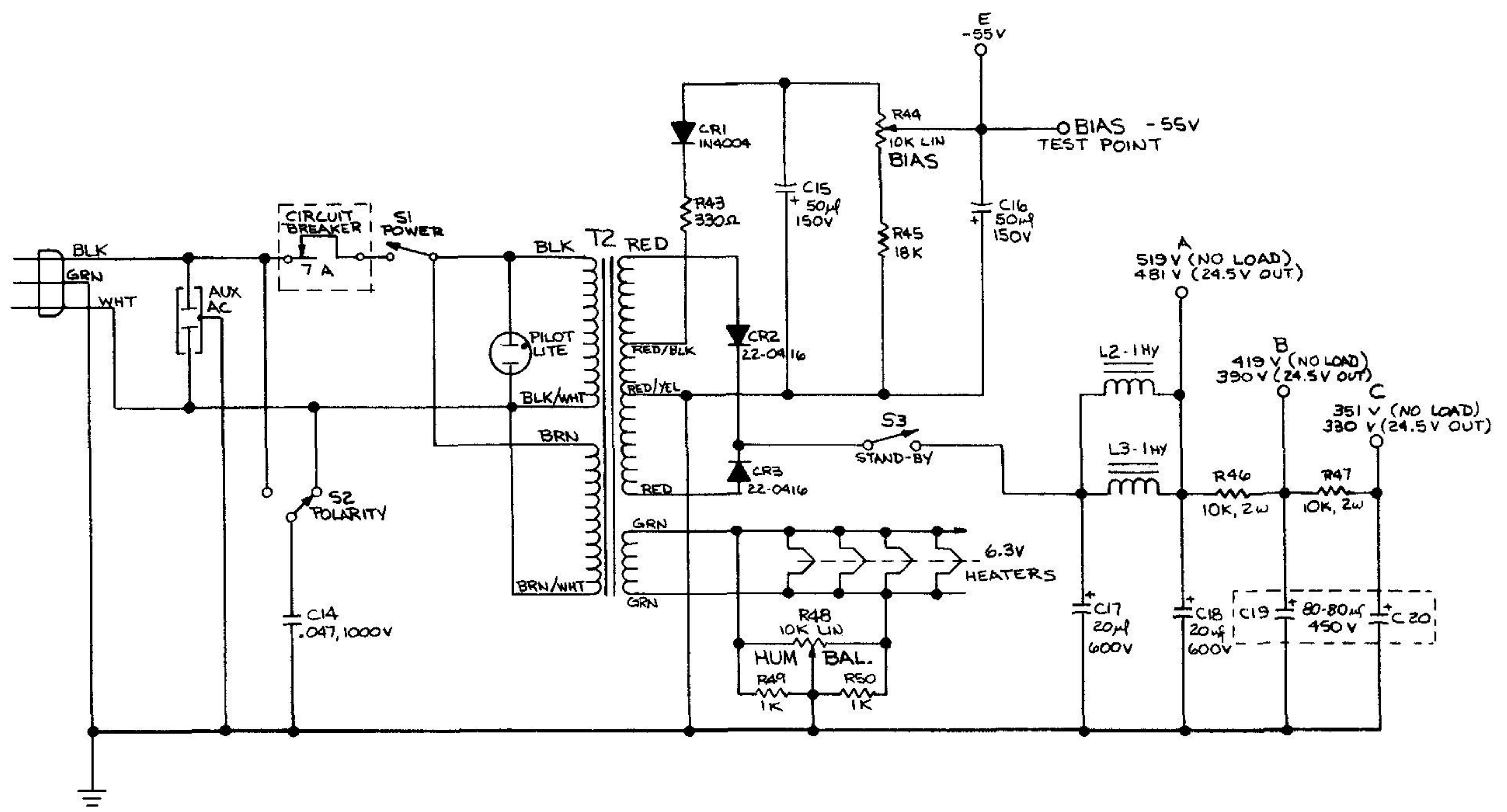


VOLTAGE CHART

PT. NO.	NO. LOAD	150 W RMS OUT.	PT. NO.	NO. LOAD	150 W RMS OUT.
(1)	2.27	218	(10)	2.51	2.51
(2)	1.71	1.65	(11)	5.07	4.72
(3)	2.32	219	(12)	5.04	4.59
(4)	2.10	193	(13)	-5.3	-5.5
(5)	N/A	N/A	(14)	-5.3	-5.5
(6)	1.93	173	(15)	5.05	4.58
(7)	1.6	1.3	(16)	5.08	4.72
(8)	2.70	270	(17)	2.5	2.4
(9)	3.8	40	(18)	22.5	22.8

- NOTES:**
- VOLTAGES TAKEN UNDER FOLLOWING CONDITIONS:
 - INPUT: 1KHZ. SINE WAVE IN TO "BOTH IN" (J3) JACK.
 - CONTROLS: BRITE & NORMAL VOLUME, BASS, MID, TREBLE & MASTER VOLUMES, AND PRESENCE CONTROL SET AT "10".
 - LOAD: 4 OHM RESISTIVE. OUTPUT SELECTOR SET AT 4Ω, ADJUST INPUT SIGNAL LEVEL TO GIVE 24.5 VRMS ACROSS LOAD.
 - HUM BALANCE: HUM BALANCE CONTROL SET TO MINIMUM HUM WITH "BOTH IN" (J3) INPUT OPEN. CAUTION: PREAMP STAGES MUST BE SHIELDED FOR THIS ADJUSTMENT. IF NO SHIELD IS AVAILABLE, ADJUST WITH AMPLIFIER IN ITS CABINET. ALL CONTROLS SET AT "10."
 - BIAS: SET BIAS FOR -55 VOLTS WITH STANDBY SWITCH "ON".
 - POTS R8, R9, R15, R16, R19, R44, R48 ARE LINEAR TAPER.
 - POTS R18 & R25 ARE REVERSE LOG.
 - ALL RESISTOR VALUES ARE 1/2W, 5% UNLESS OTHERWISE SPECIFIED.

Version with mid select slide switch



TOLERANCES (EXCEPT AS NOTED)		SCALE		DRAWN BY	
DECIMAL	±	MODEL T (SUPER)	—	2/11/75	APPROVED BY
FRACTIONAL	±	TITLE			
ANGULAR	±	SCHEMATIC			
DATE		DRAWING NUMBER		C	
2-12-75		D1029			

TOLERANCES (EXCEPT AS NOTED) **SUNN** Sunn Musical Equip. Co. 221 V. Ave. Astoria, Oregon 97103