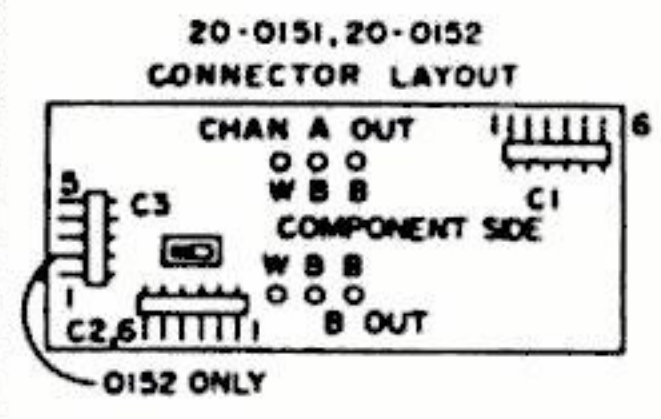
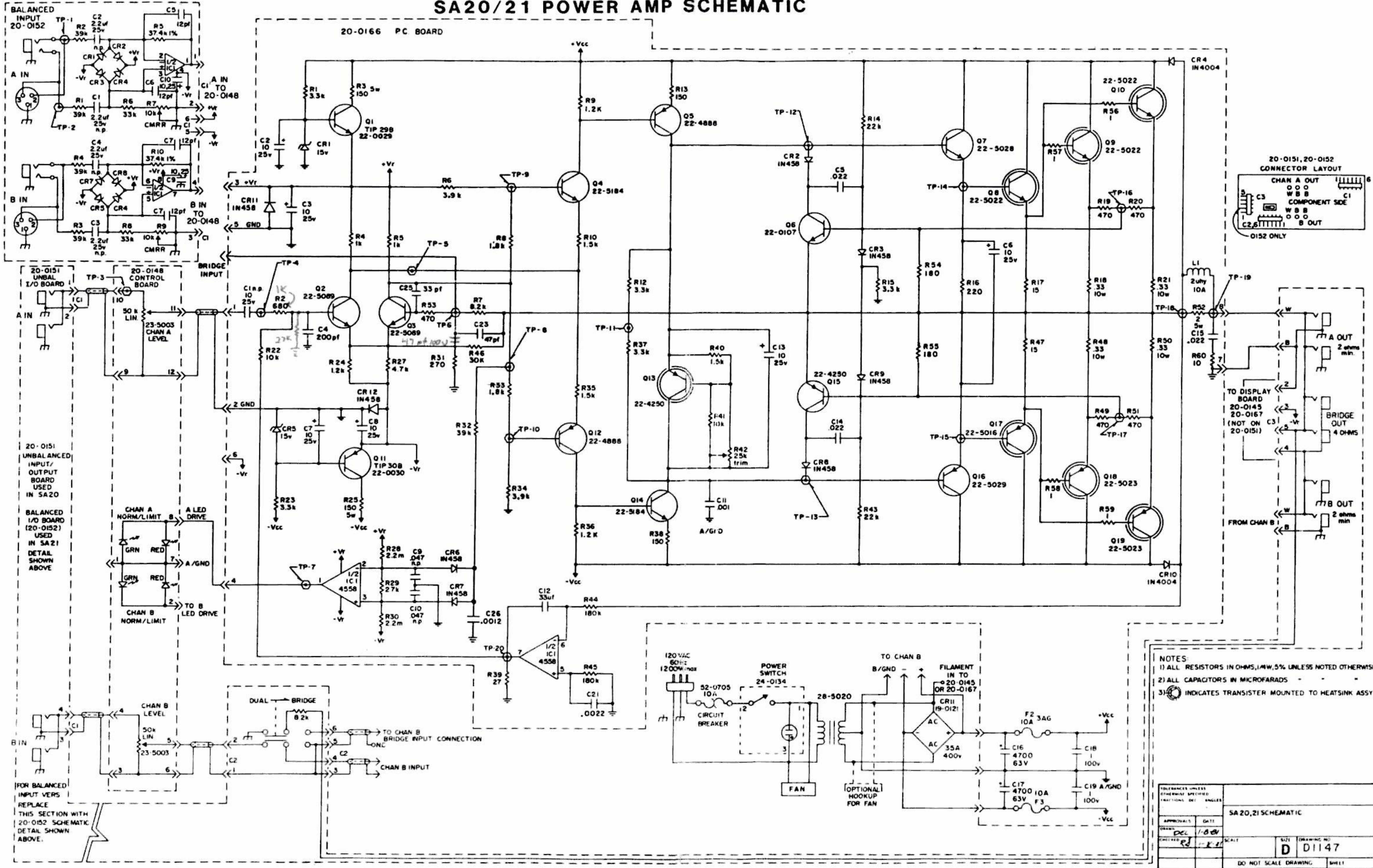


SA20/21 POWER AMP SCHEMATIC



- NOTES:**
- 1) ALL RESISTORS IN OHMS, 1/4W, 5% UNLESS NOTED OTHERWISE
 - 2) ALL CAPACITORS IN MICROFARADS
 - 3) INDICATES TRANSISTOR MOUNTED TO HEATSINK ASSY

TOLERANCES UNLESS OTHERWISE SPECIFIED		SA 20, 21 SCHEMATIC	
APPROVALS	DATE	SIZE	DRAWING NO.
DESIGNED BY: <i>DEL</i>	DATE: <i>1-8-68</i>	SCALE:	D D1147
CHECKED BY: <i>RE</i>			DO NOT SCALE DRAWING

20-0151 UNBALANCED INPUT/OUTPUT BOARD USED IN SA20

BALANCED I/O BOARD (20-0152) USED IN SA21
DETAIL SHOWN ABOVE

FOR BALANCED INPUT VERS. REPLACE THIS SECTION WITH 20-0152 SCHEMATIC DETAIL SHOWN ABOVE.