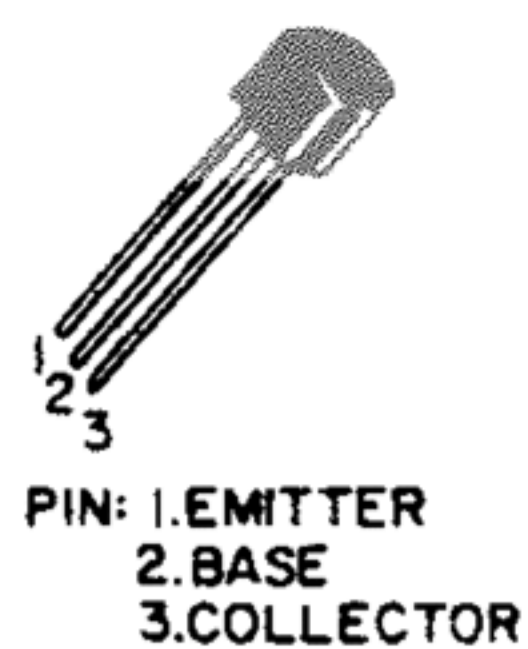
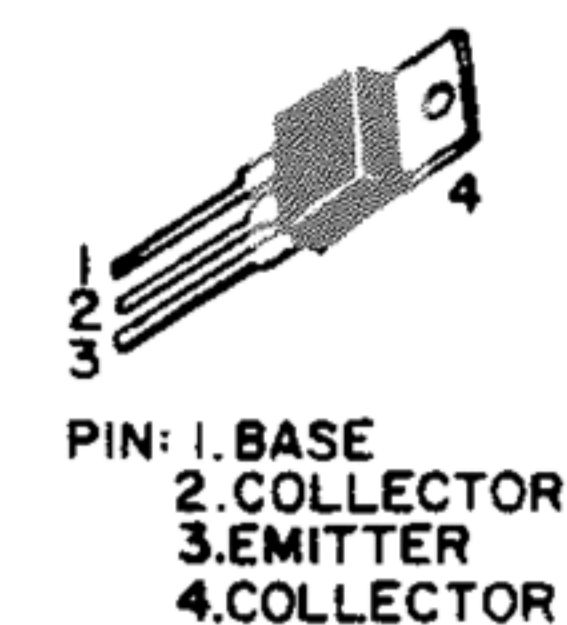


TRANSISTOR PINOUTS:

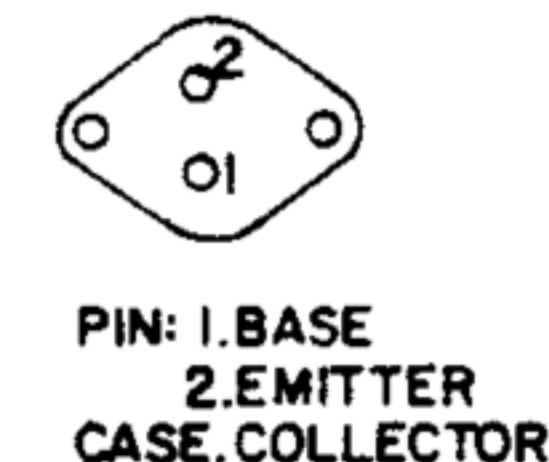
MPS A43
2N5089
2N5401
2N4888
2N4250
MPS W42
MPS W92
SK9143 or GE67A



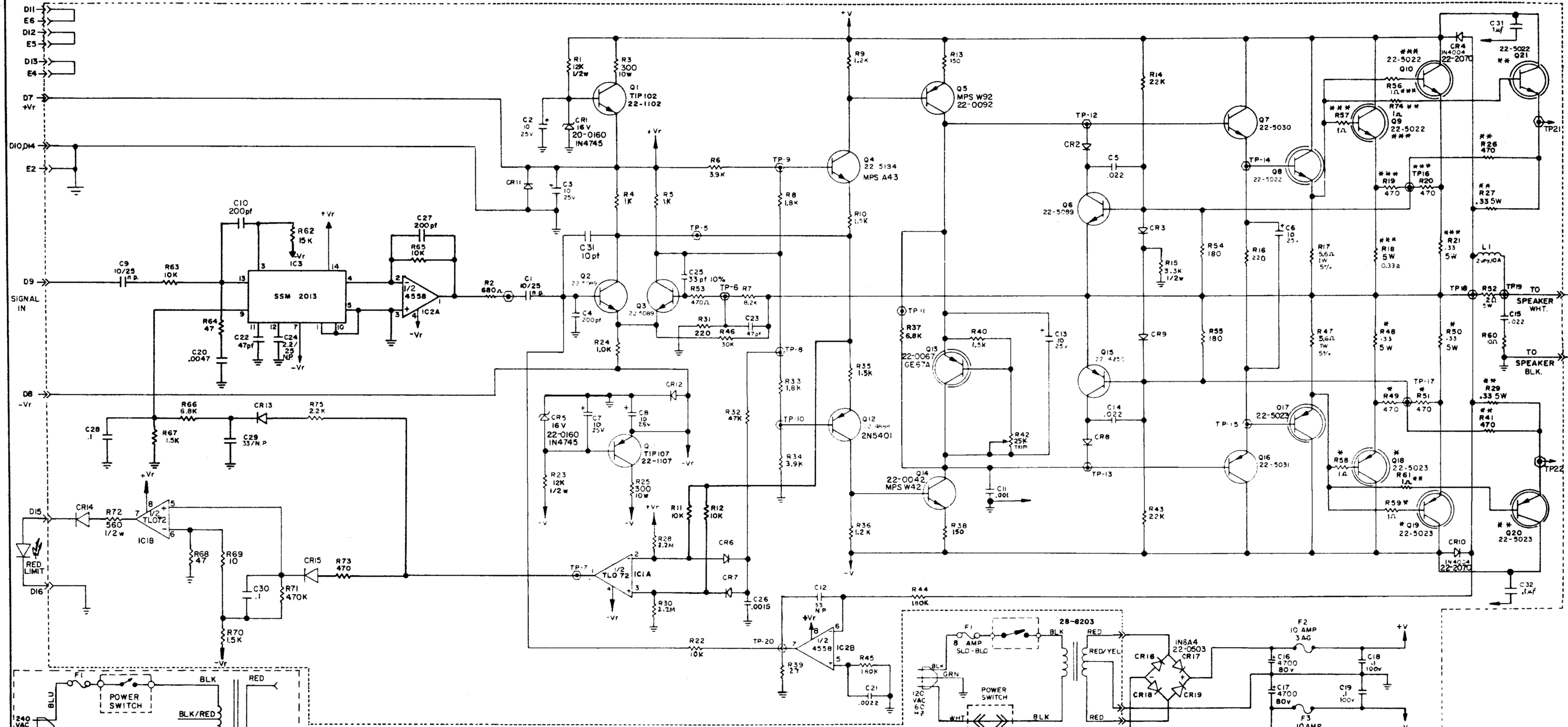
TIP 102
TIP 107
MJE 15030
MJE 15031



MJ 15022
MJ 15023

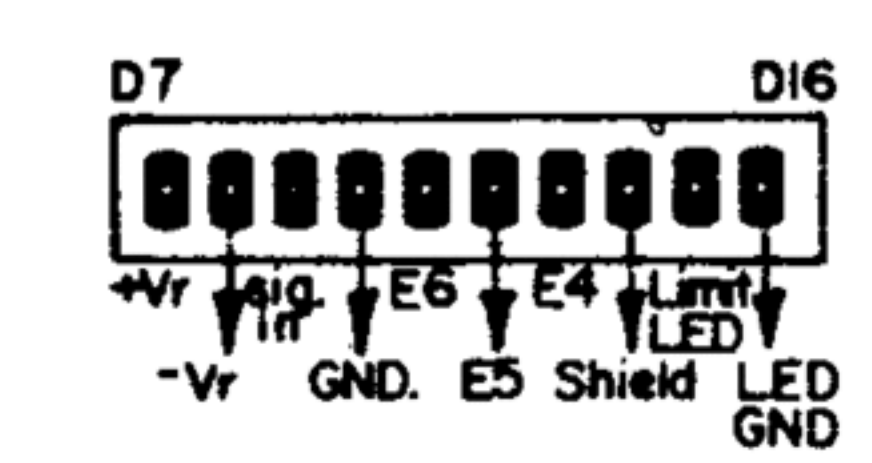
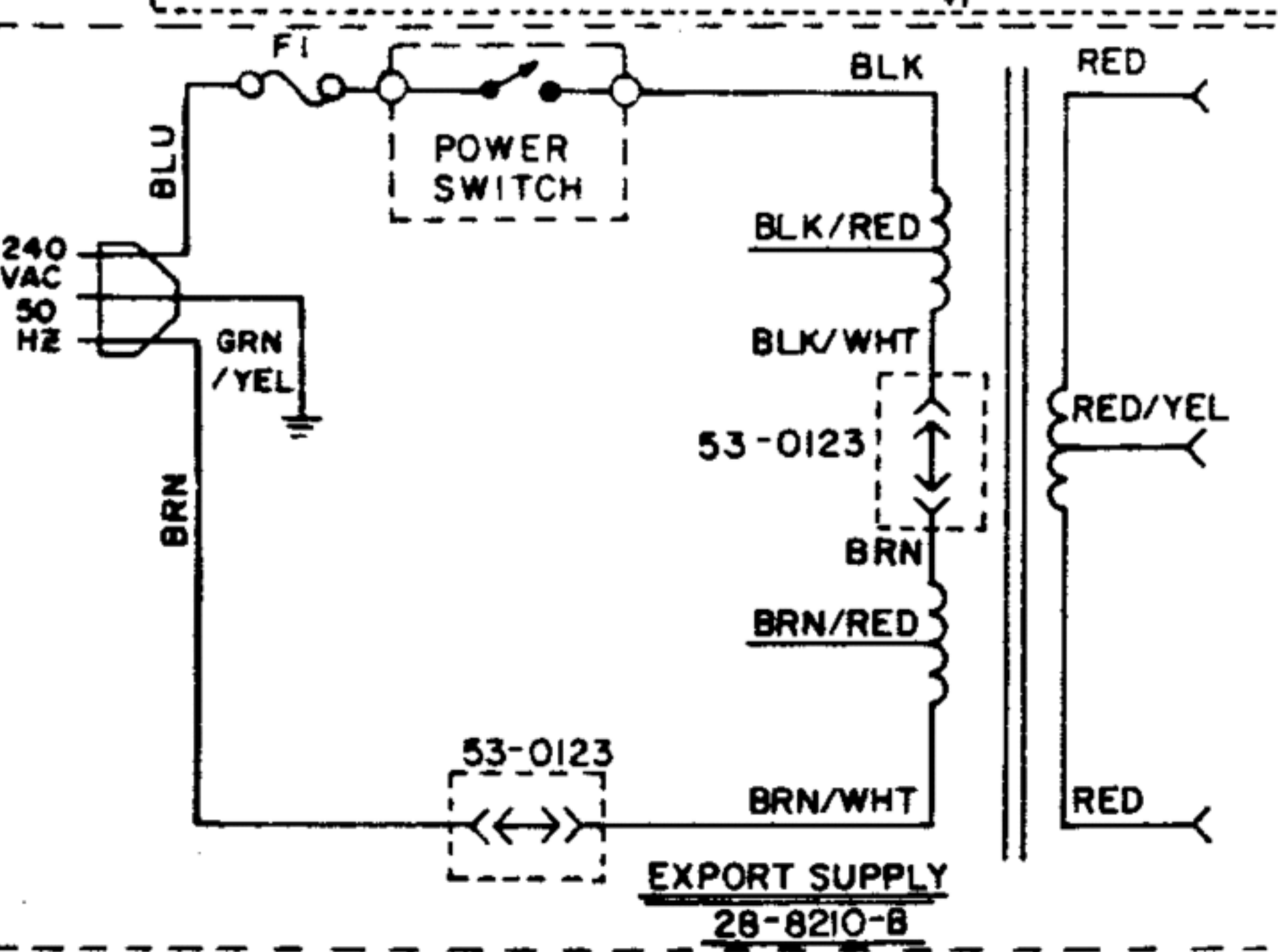


REVISIONS			
LTR	DESCRIPTION	DATE	APPROVED
A	REVISED SCHEMATIC	9/18/65	Special K
3	ADD C31 & C32 ECO# L01034	12/11/66	SpK



UNLESS OTHERWISE NOTED:
 1. All Resistors are 1/4 watt 5%, values in ohms.
 2. All Capacitor values are given in microfarads/voltage.
 3. All Diodes are IN4148.

NOTES:
 1. **BIAS SETTING:**
 Turn BIAS Pot fully CCW. Adjust bias voltage pot for 350mv +0-20mv either resistor R17 or R47 after one minute of warm up. From a cold start.
 2. Components marked with (1)* are located on Output Module 1.
 3. Components marked with (2)* are located on Output Module 2.
 4. Components marked with (3)* are located on Output Module 3.



SX6350 & SX8350

A PRODUCT OF:
sunno
 MUSICAL INSTRUMENTS
 BREA, CALIFORNIA
 MADE IN THE U.S.A.

TOLERANCES UNLESS OTHERWISE SPECIFIED		FRACTIONS DEC ANGLES	
APPROVALS	DATE	SCALE	SHEET
9/11/65		FULL D	32-2220
DO NOT SCALE DRAWING		1 of 1	