

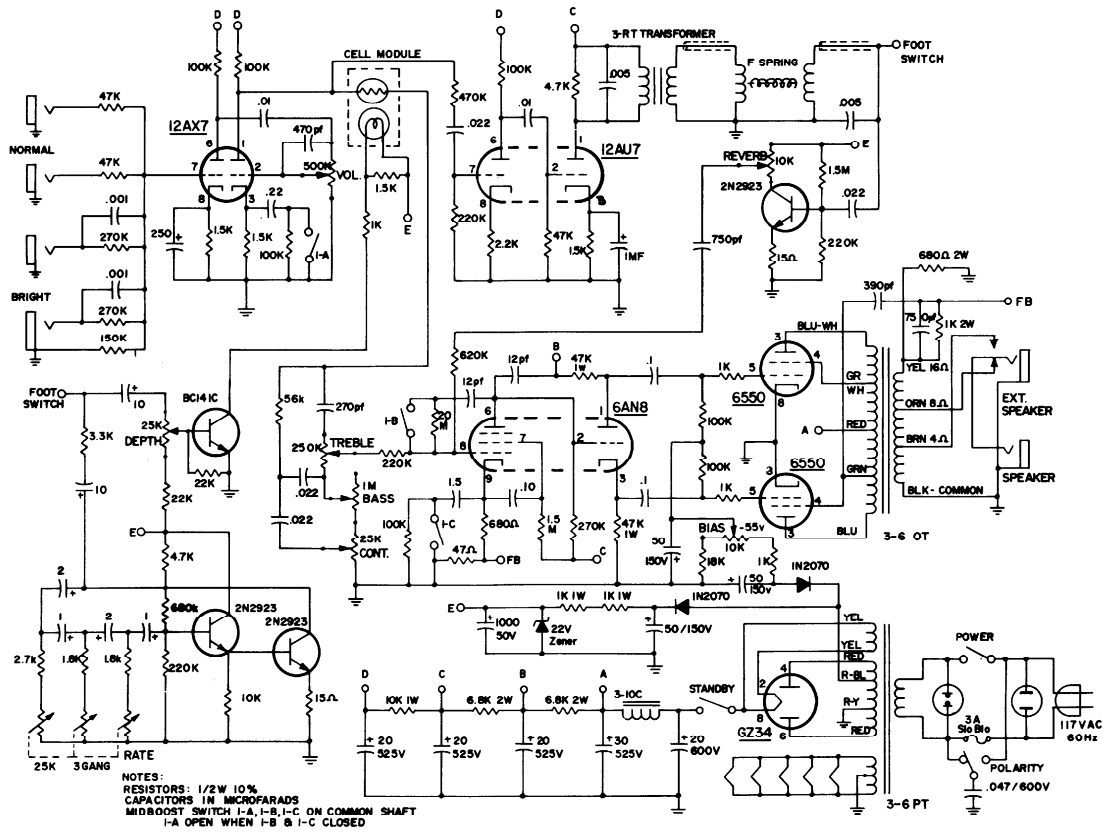
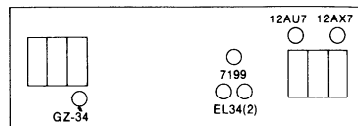
Sunn



Sentura I Solaris

Sentura I: One J.B.L. D130F (D15S after 3-1-69) in tuned port enclosure.

Solaris: Two 12-inch Sunn transducers (Appendix 1) in open back enclosure. One piece construction until 3-10-69; then piggyback.



NOTES:
RESISTORS: 1/2 W 10%
CAPACITORS IN MICROFARADS
MIDBOOST SWITCH I-A, I-B, I-C ON COMMON SHAFT
I-A OPEN WHEN I-B & I-C CLOSED

copyright 1969 sunn musical equipment company printed in U.S.A.

design/production: kinetic design

SENTURA I & SOLARIS