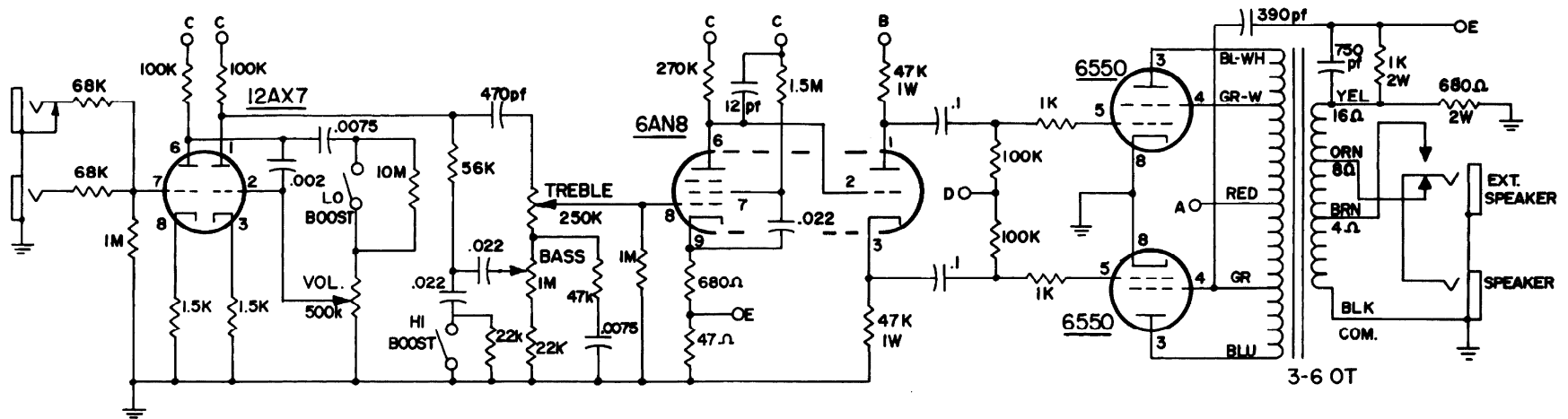
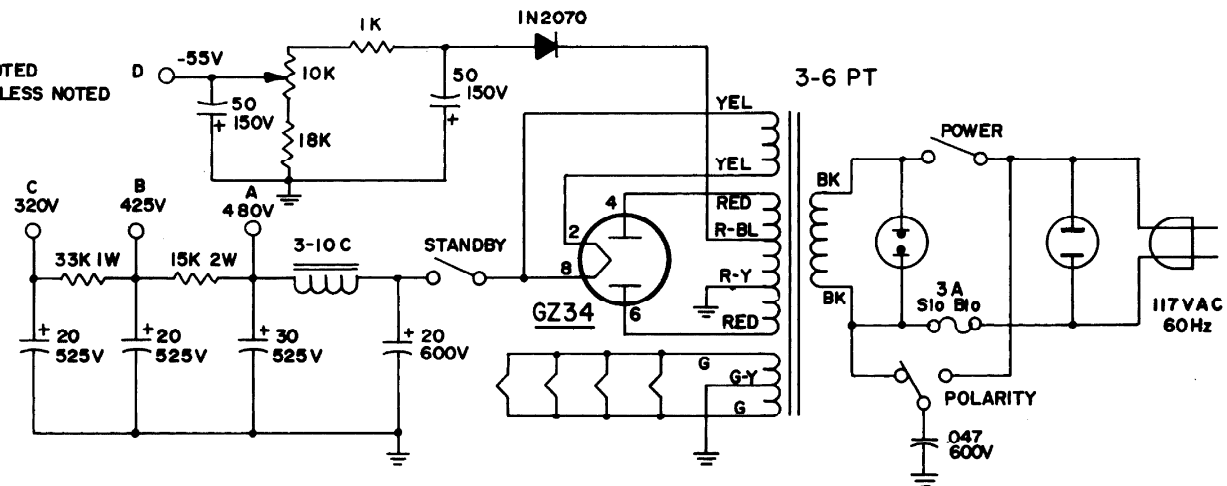


SONIC II/1-40/200s/SORADO

Sunn



NOTES:
 RESISTORS 1/2W 10% UNLESS NOTED
 CAPACITORS ARE MICROFARADS UNLESS NOTED



MODELS

- SONIC II
- 200 S
- SORADO
- SONIC I-40



Sonic II* 200S Sorado Sonic I-40**

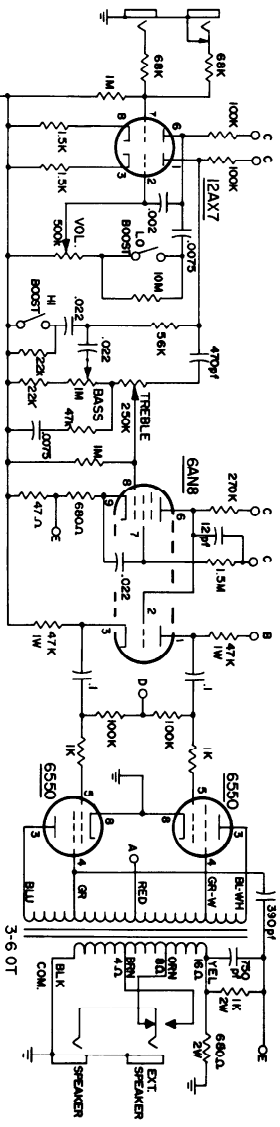
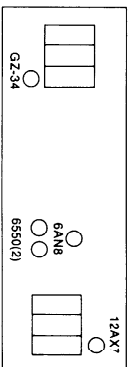
*Sonic II: Discontinued 4-10-68.
Two J.B.L. D130F in rear-loading,
folded horn enclosure.

200S: Two J.B.L. D140F (D140F-6
after 3-1-69) in rear-loading, folded
horn enclosure.

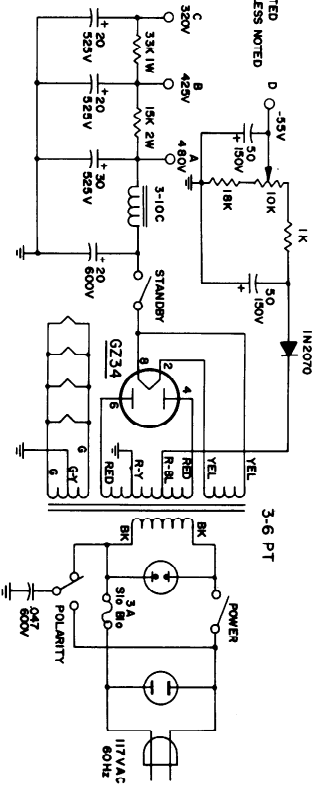
Sorado: Two 15-inch Sunn trans-
ducers (Appendix 1) in tuned port
bass reflex enclosure.

**Sonic I-40: 60 watt chassis
produced after 5-10-69.

One J.B.L. D140F (D140F-6 after
3-1-69) in rear-loading, folded horn
enclosure.



NOTES:
RESISTORS 1/2W 10% UNLESS NOTED
CAPACITORS ARE MICROFARADS UNLESS NOTED



McDel's
Sonic II
200S
SORADO
Sonic I-40