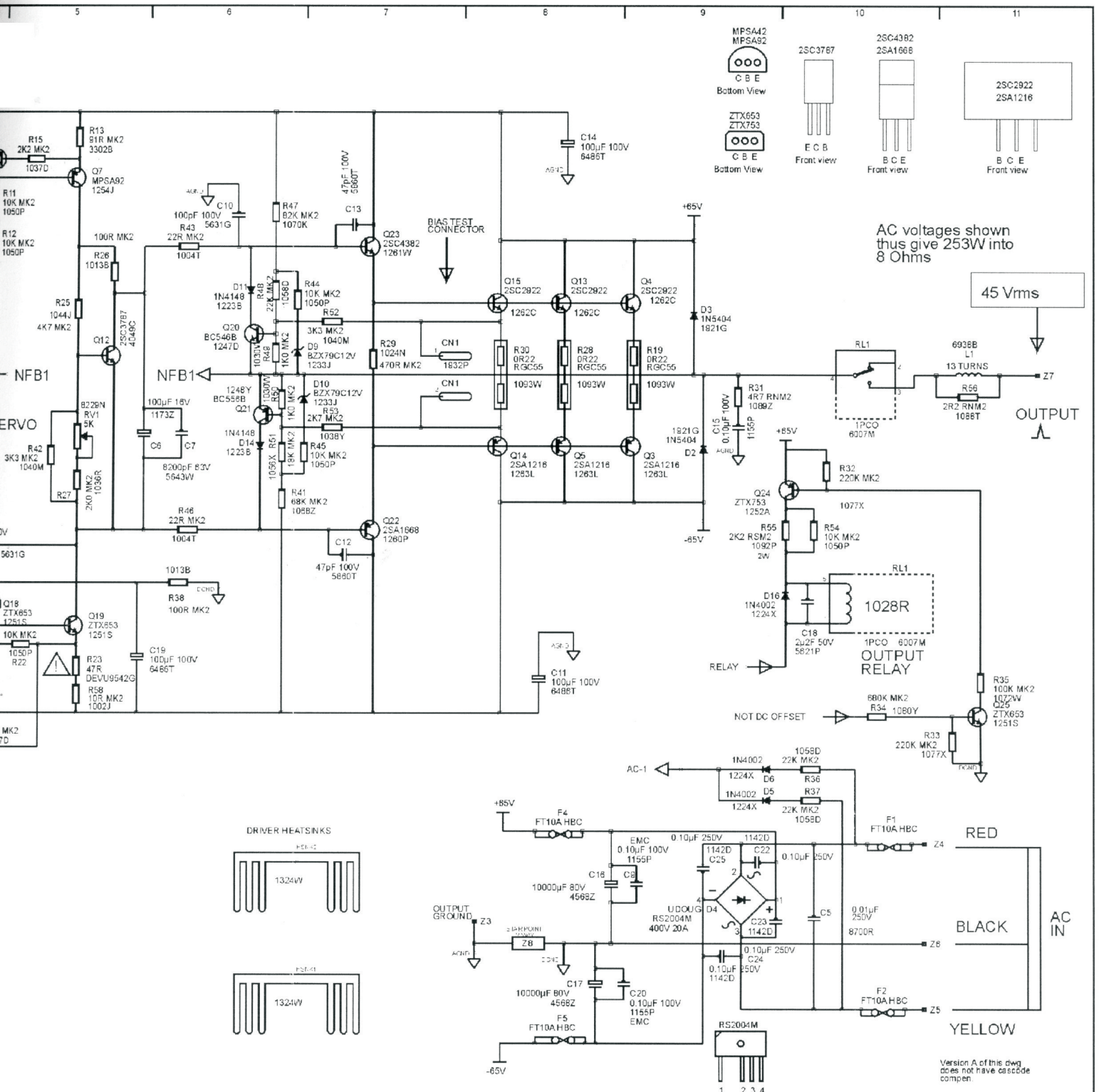


# MAIN PCB SCHEMATIC



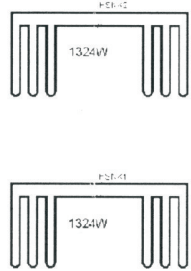
AC voltages shown thus give 253W into 8 Ohms

45 Vrms

OUTPUT

OUTPUT RELAY

DRIVER HEATSINKS



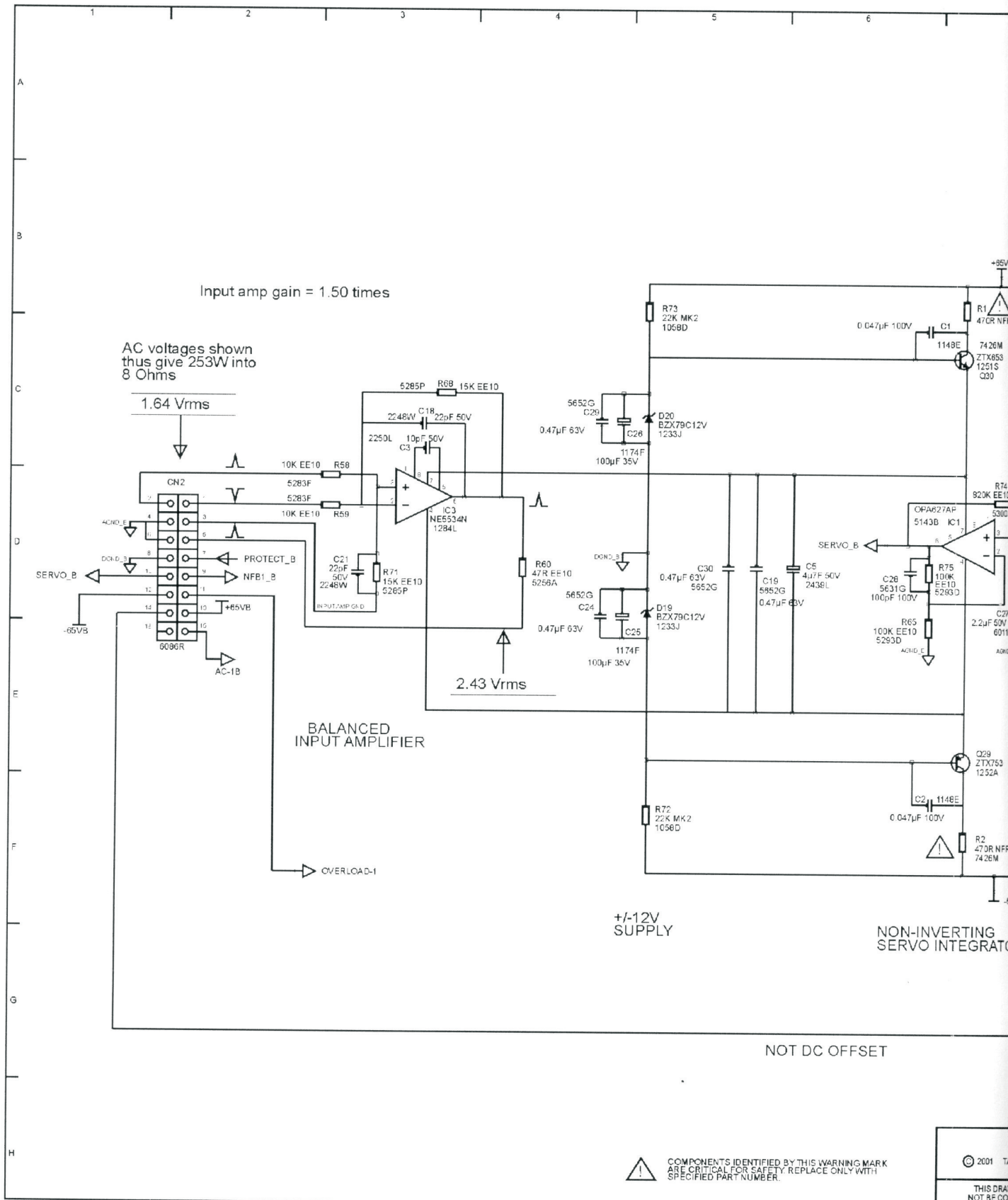
Version A of this dwg does not have cascade compen.

COMPONENTS IDENTIFIED BY THIS WARNING MARK ARE CRITICAL FOR SAFETY. REPLACE ONLY WITH SPECIFIED PART NUMBER.

|                              |            |                 |       |                |
|------------------------------|------------|-----------------|-------|----------------|
| © 2001 TAG McLaren Audio Ltd | DRAWN BY:  | drgs            | DATE: | 4/8/2001       |
|                              | CHECKD BY: | drgs            | DATE: |                |
|                              | SHEET      | 1 OF 1 SHEETS   |       |                |
|                              | FILE NAME: | SCH32501-02.scm |       |                |
|                              | TITLE:     |                 |       |                |
| DRAWING NO:                  |            |                 |       | SCH32501-01-02 |

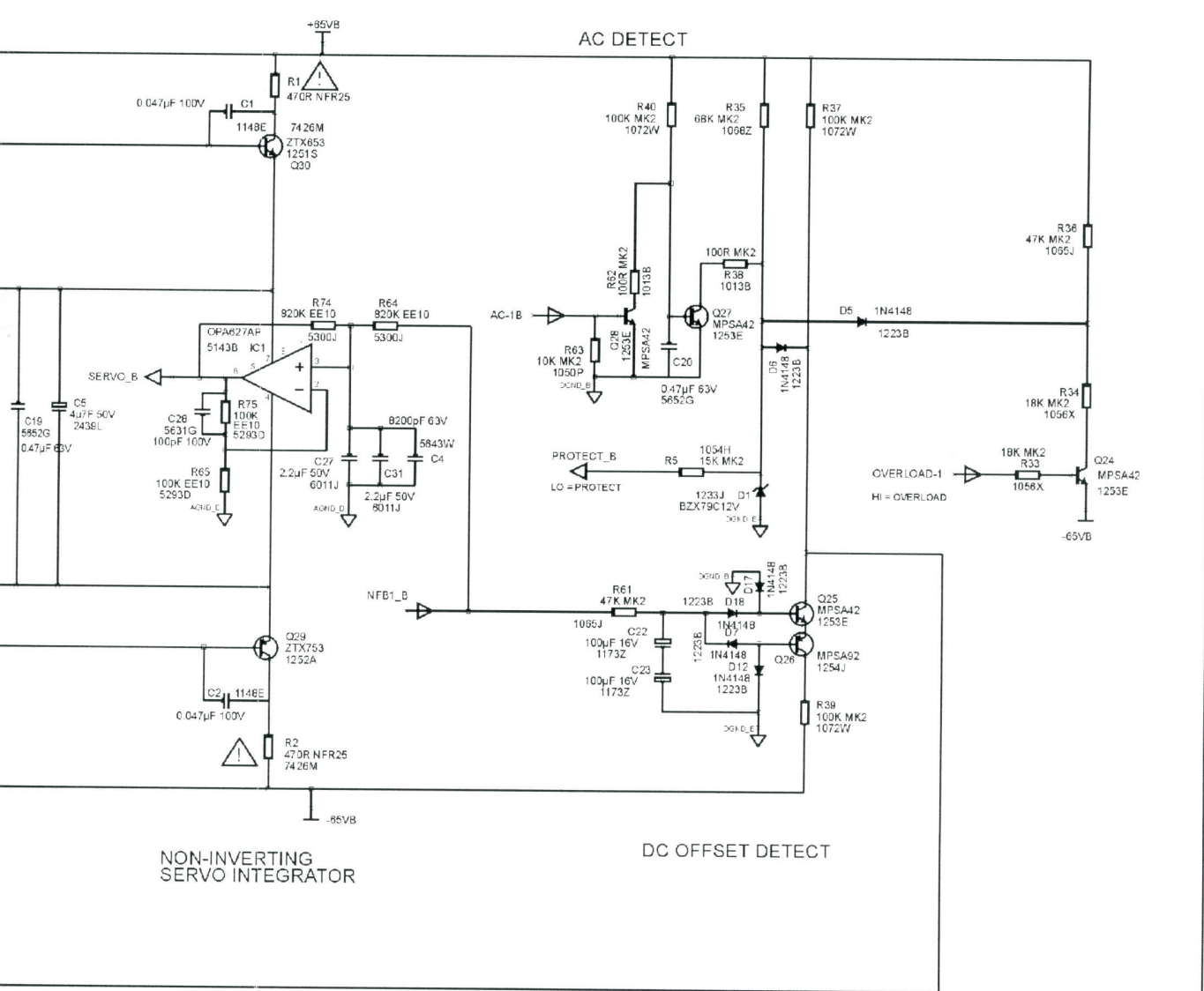
|       |                    |         |          |
|-------|--------------------|---------|----------|
| 2     | See change history | 1/10/01 | DRGS     |
| 1A    | See change history | 4/6/01  | DRGS     |
| 1     | PRE-PRODUCTION     |         |          |
| A     | PROTOTYPE          |         |          |
| ISSUE | DESCRIPTION        | DATE    | APPRD BY |

Sheet 2 of 2: 325/327 AMPLIFIER SUB-PCB SCHEMATIC





6 7 8 9 10 11



NOT DC OFFSET

|                            |  |                                      |  |
|----------------------------|--|--------------------------------------|--|
| DRAWN BY: drgs             |  | DATE: 23/4/01                        |  |
| CHKD BY: drgs              |  | DATE:                                |  |
| SHEET 1 OF 1 SHEETS        |  | ISSUE DESCRIPTION DATE APPRD BY      |  |
| FILE NAME: SCH32502-02.tcm |  | TITLE: 250W AMPLIFIER MODULE SUB-PCB |  |
| DRAWING NO: SCH32502-01-02 |  | A2                                   |  |

NOTIFIED BY THIS WARNING MARK  
FOR SAFETY REPLACE ONLY WITH  
NUMBER

© 2001 TAG McLaren Audio Ltd

THIS DRAWING IS THE PROPERTY OF TAG MCLAREN AUDIO LTD. AND MUST NOT BE COPIED OR DISCLOSED TO A THIRD PARTY WITHOUT WRITTEN CONSENT

|   |                    |         |      |
|---|--------------------|---------|------|
| 2 | See change history | 1/10/01 | DRGS |
| 1 | PRE-PRODUCTION     | 12/7/01 |      |
| A | PROTOTYPE          |         |      |