

# TANDBERG

## 10 X

# Service Manual



## CONTENTS

|   | page |
|---|------|
| Introduction .....                                  | 2    |
| Maintenance .....                                   | 3    |
| Changing the power supply transformer tapings ..... | 3    |
| Changing from NAB correction to IEC correction..... | 4    |
| Electrical adjustments.....                         | 5    |
| Circuit diagrams and printed boards .....           | 6    |

---

## INTRODUCTION

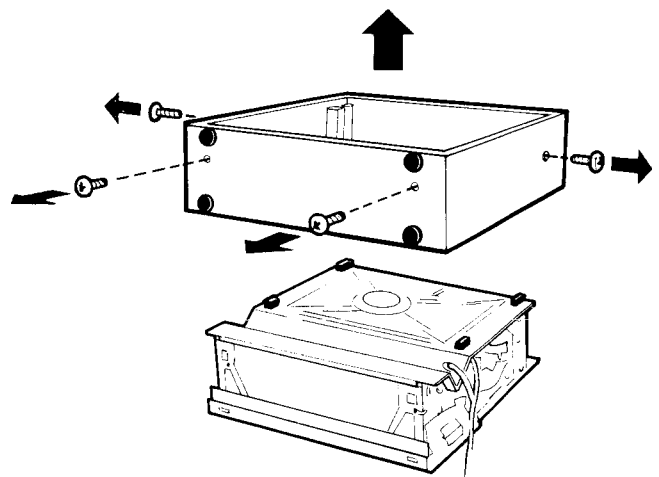
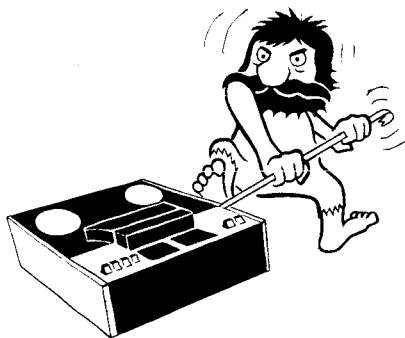
All paragraphs in this manual are valid for model 10X. For mechanical servicing, use the Service Manual for model 10XD.

### GENERAL

Only HL (High output/Low noise) tape should be used for recording. Make sure that the heads and tape path are clean.

To check the heads, simply remove the two head covers. They should be pulled straight off.

When electrical adjustment are to be made the wooden cabinet must be removed. Lay the 10X carefully down on the front. Remove the four montig screws as shown in Figure 1.1. The cabinet should be pulled straight off.



## MAINTENANCE

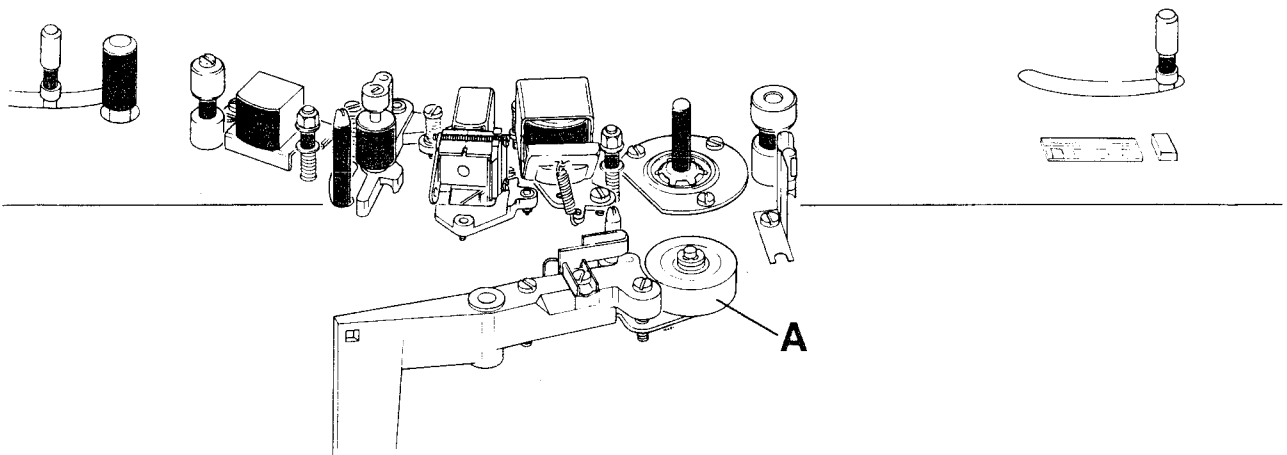


Fig. 2.1 Cleaning the tape path

### CLEANING THE TAPE PATH

It is important that the tape path is clean before adjustments are made. The tape tension arms must also be cleaned. If the heads or guide posts have been adjusted, the tape path must be de-magnetized.

Cleaning should be carried out with cotton-bud sticks (Q tips) moistened with *pure alcohol or methylated spirits*. A special cleaning kit called "Tandberg Professional Tape Head Cleaner" is also available.

Aerosol sprays indented for video tape recorders may be used, but it is not sufficient just to spray the parts; cotton-bud sticks must also be used.

Obstinate deposits on guide posts should be first well softened and then removed with the aid of a toothpick.

The pinch roller A should be cleaned if the tape runs unevenly or if there are visible deposits on the roller (4 to 6 times a year should be sufficient, even if the tape recorder is much used). Make sure that the pinch roller is dry after cleaning.

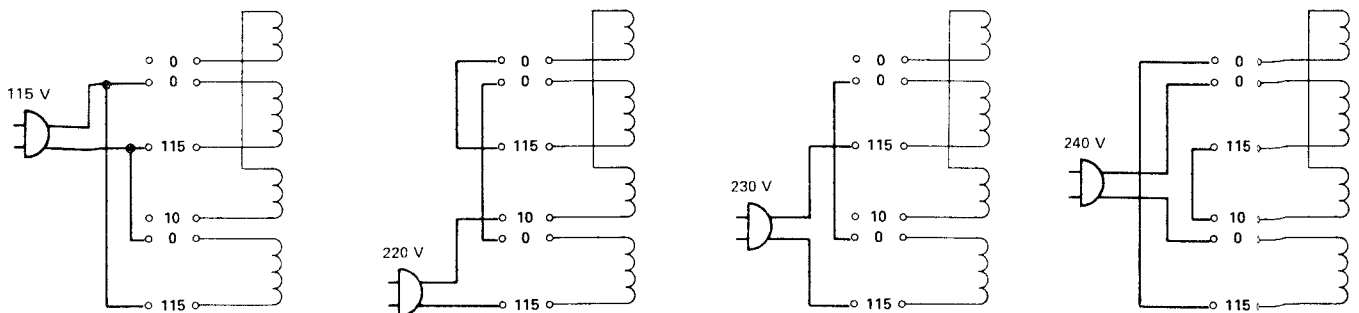
### LUBRICATION

The pinch roller and the flywheel have self-lubricating bearings and must not be lubricated. The reel motors and the capstan motor needs no lubrication.

### CHANGING THE POWER SUPPLY TRANSFORMER TAPPINGS

Since the machine employs a photo-electric sensor for speed regulation, the speed is not dependent on the power frequency.

To change the wiring of the power supply transformer to suit another power supply voltage, see Figures. The power lead must be connected to the primary of the transformer as shown in the relevant Figure.



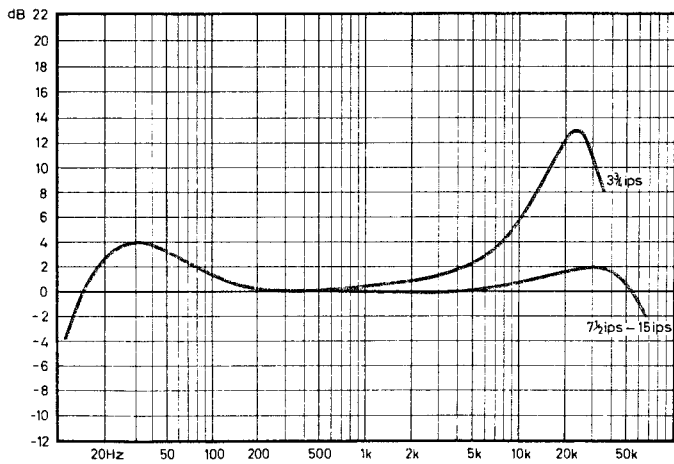
## CHANGING FROM NAB CORRECTION TO IEC CORRECTION

| COMPONENT: | VALUE:   | CHANGED TO:        |
|------------|----------|--------------------|
| R7/107     | 22 K     | removes            |
| R8/108     | 1,5 K    | removes            |
| R10/110    | 1 K      | 3,3 K              |
| R11/111    | 220      | replace with strap |
| R21/121    | 2,7 K    | replace with strap |
| C4/104     | 0,047 uF | removes            |
| C6/106     | 3300 pF  | 4700 pF            |
| D1/101     | IN4148   | removes            |
| D2         | IN4198   | removes            |

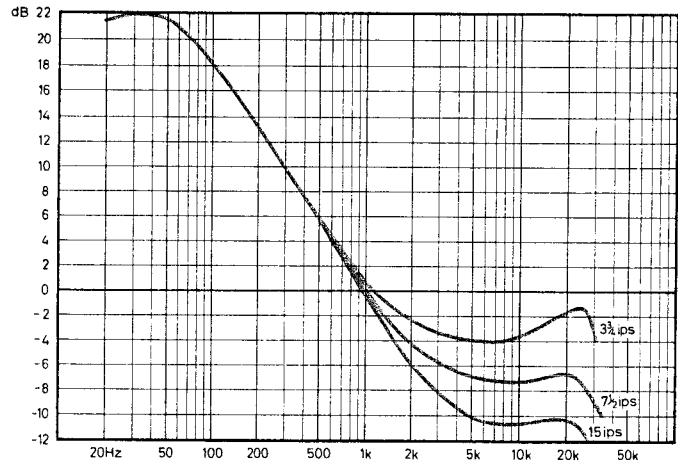
*Record amplifier A7*

| COMPONENT: | VALUE:   | CHANGED TO:  |
|------------|----------|--------------|
| R9/109     | 220      | 180          |
| R11/111    | 1,5 K    | 3,3 K        |
| R12/112    | 150      | 100          |
| R21/121    |          | 330 new      |
| R22/122    |          | 10 k new     |
| C6/106     | 0,022 uF | 4700 pF      |
| C7/107     | 0,068 uF | 0,1 uF       |
| C12/112    |          | 0,047 uF new |
| D5/105     |          | IN4148 new   |
| D6/106     |          | IN4148 new   |

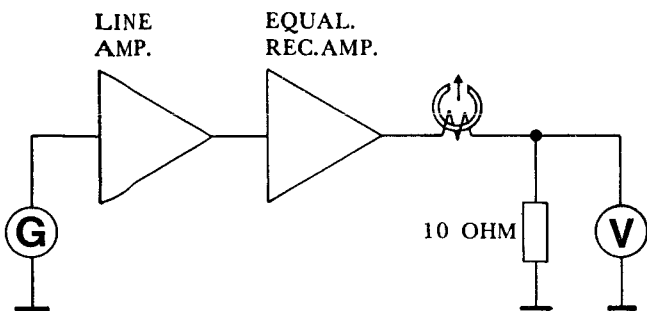
*Playback amplifier A11*



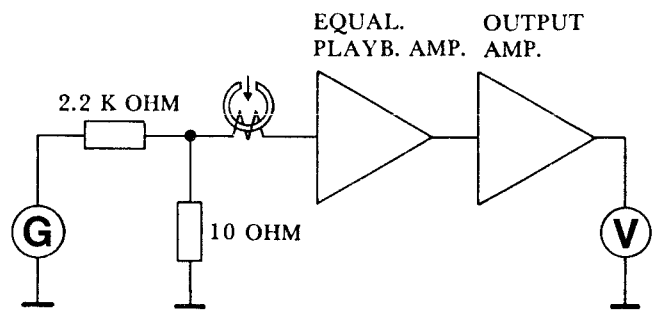
*IEC record curve*



*IEC playback curve*



*Checking the record curve*



*Checking the playback curve*

## ELECTRICAL ADJUSTMENTS

Make the adjustments in the order in which they are listed here. Many of the adjustments require that previous adjustments have already been correctly made.

Clean and degauss the tape path before and after adjustments. It is assumed that the tape path has already been correctly adjusted.

### NECESSARY EQUIPMENT

- 2 high impedance voltmeters (do NOT use universal meters).
- Frequency counter.
- Audio generator.
- Distortion meter.
- Wow meter (required for wow test only).
- Test Tapes:
  - No. 1 - Height adjustment, 4 track playb. head.
  - No. 2 - Azimuth adj. playb. head 15,000 Hz, 7 1/2 ips.
  - No. 3 - Playb. curve, DIN 19H, 7 1/2 ips.
  - No. 4 - Playb. level adj., 400 Hz, 7 1/2 ips.
  - No. 9 - Full track, 1000 Hz. Erase head adj.
  - No. 11 - Speed check, 1000 Hz, 7 1/2 ips.

Only HL (High Output/Low Noise) tape should be used for recording. Make sure that the heads and tape guides are clean. To check the heads, simply remove the two head covers. They should be pulled straight off.

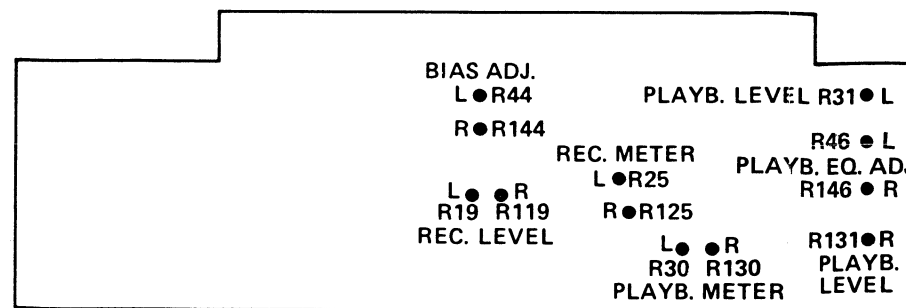
### PULL-IN TIME FOR ARMATURES AND STARTING VOLTAGE FOR THE REEL MOTORS

When the machine is in the STOP mode and the PLAY button is pressed the reel motors receive extra voltage at the moment of starting to prevent tape loops forming. (Remember to depress the 10 1/2" REEL button when 10 1/2" reels are in use). The duration of this extra voltage can be adjusted by means of pot. R36 on the logic board. R36 should be adjusted so that the pull-in time is about 250 ms. This delay can be checked on U26-9 with the aid of an oscilloscope.

| Test No. | Adjustment or check        | Test tape No. | Set the deck to | Measuring instrument | Measure at:  | Adjust                        | Correct reading              | Speed  | Comments   |
|----------|----------------------------|---------------|-----------------|----------------------|--------------|-------------------------------|------------------------------|--------|--|
| 1.1      | Playback-head, azimuth     | 2             | Playback        | a.c. voltmeters      | LINE OUT     | Azimuth screw                 | Maximum output               | 7 1/2" | Maximum output or best compromise.   |
| 1.2.     | Playback curve, DIN 19H    | 3             | Playback        | a.c. voltmeters      | LINE OUT     | Playback EQ. adj. R46-R146    | + 3 dB. at 18 KHz            | 7 1/2" | Playback curve, Din 19H. The tape contains the following frequencies: 1000 Hz (reference) 18 kHz, 15 kHz, 10 kHz, 4 kHz 125 Hz, 40 Hz, 1000 Hz (ref.) Adjust R46 - R146 to + 3 dB at 18 KHz.   |
| 1.3.     | Playback level             | 4             | Playback        | a.c. voltmeters      | LINE OUT     | PLAYBACK LEVEL R31-R131       | 1,0 V                        | 7 1/2" |  |
| 1.4.     | Playback meter adjustments | —             | See comments    | a.c. voltmeters      | LINE OUT     | PLAYBACK METER R30-R130       | 1,5V                         | 7 1/2" | To be performed without tape. Put a piece of paper between the light source and the phototransistor. Set the deck in SOURCE. Depress the PLAY button. Connect a audio-generator, 1000 Hz to LINE IN. Adjust with the LINE INPUT LEVEL to 1.5V on the voltmeters. Adjust R30 (L) and R130 (R) to 0 dB indication on the meters. |
| 1.5.     | Speed                      | 11            | Playback        | Frequency counter    | LINE OUT     | R40-15" R41-7 1/2" R42-3 3/4" | ± 0.3% 997-1003 Hz in 7 1/2" | All    | Test-tape No. 11 are recorded at 1000 Hz in 7 1/2". Start in 15". Adjust R40 to correct speed. Then adjust R41 in 7 1/2" and R42 in 3 3/4". R40/R41/R42 are on the motor control board.  |
| 1.6.     | Bias pre-adjustment        | —             | Record          | a.c. voltmeter       | See comments | Bias adj. R44-R144            | Approx. 22V                  | 7 1/2" | To be performed without tape. Measure across the bias head or on pin 2 (L) and pin 3 (R) on contact P11 on the main board.   |

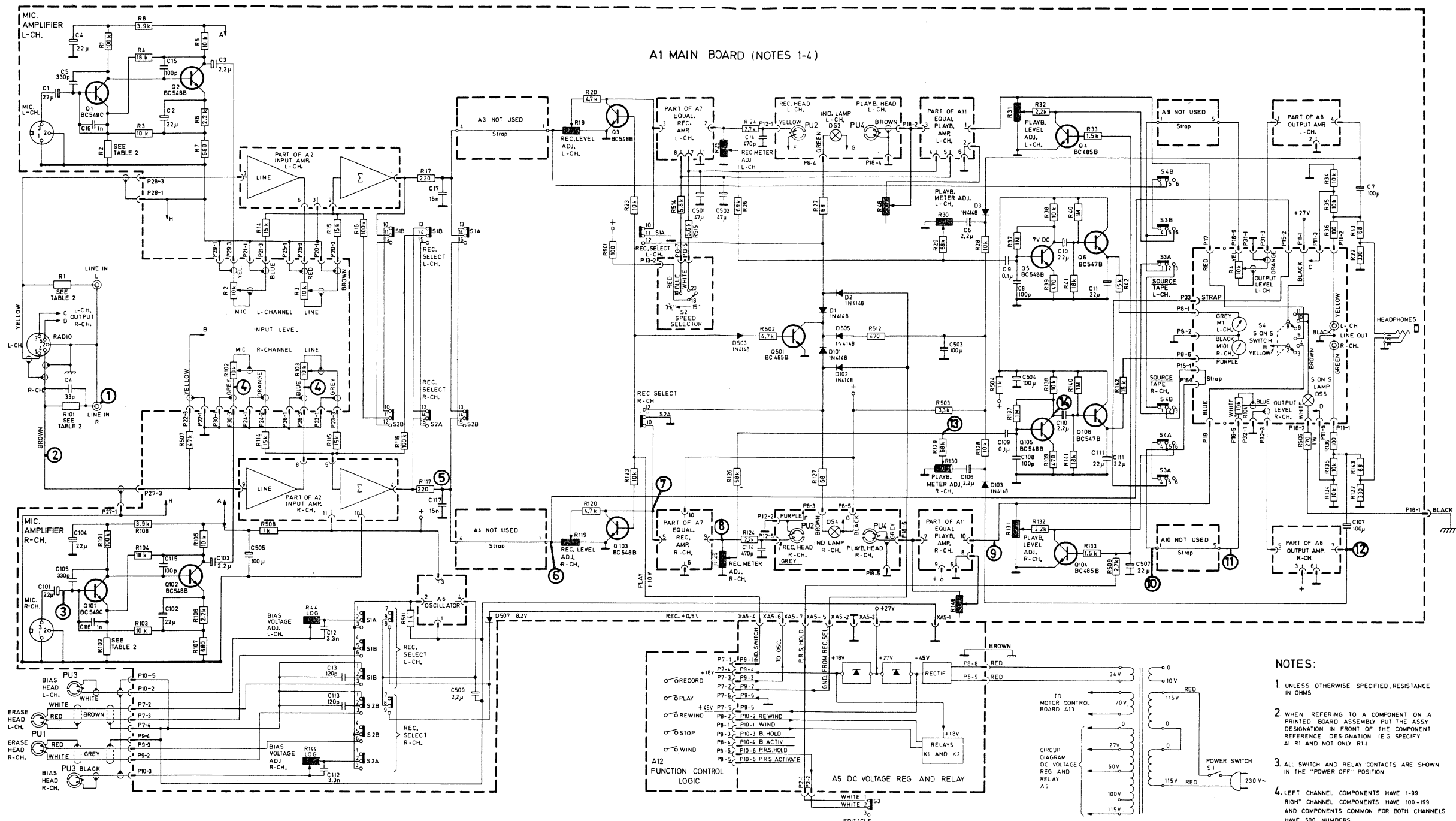
| Test No. | Adjustment or check             | Measuring instrument  | Measure at: | SOURCE/ TAPE buttons | Set the deck to   | Procedure  |
|----------|---------------------------------|-----------------------|-------------|----------------------|-------------------|--|
| 2.1      | Bias head horizontal adjustment | a.c. voltmeters       | LINE OUT    | TAPE                 | RECORD 7 1/2"     | Connect an audio-generator to LINE IN. Set the generator to 1000 Hz and adjust with the LINE INPUT LEVEL to approx. 2V on the voltmeters. Turn the 2 mm Allen screw clockwise and the head moves to the left. Then turn the screw counter clockwise to maximum reading on the voltmeters. Use the first maximum when the head moves from the left to the right side.   |
| 2.2      | Azimuth, record head            | a.c. voltmeters       | LINE OUT    | TAPE                 | RECORD 3 3/4"     | Connect an audio-generator to LINE IN. Start stereo recording in 3 3/4 IPS of a 1000 Hz signal 30 dB below normal recording level (0 dB). Use the voltmeter readings as reference level. Then record a 16000 Hz signal and turn the azimuth screw on the record head to maximum reading on the voltmeters.   |
| 2.3      | Record/playback curves          | a.c. voltmeters       | LINE OUT    | TAPE                 | RECORD all speeds | Connect an audio-generator to LINE IN. Start recording in 3 3/4" of a 1000 Hz signal 30 dB below normal recording level (0 dB). Use the voltmeter readings as reference level. Then record a 18,000 Hz signal at the same level and check that the output is within ±2 dB. If the output is too high, increase bias current with R44 (L) and R144 (R). If the output is too low, alter the signal frequency to 1000 Hz and adjust for maximum output with R44 (L) and R144 (R). Then establish a reference level, and re-check the output at 18,000 Hz. When the tolerance at 18,000 Hz has been met, check that the output level not deviate more than ± 2 dB from the following frequencies:<br>15" ± 2 dB 30-25,000 Hz<br>7 1/2" ± 2 dB 30-22,000 Hz<br>3 3/4" ± 2 dB 40-18,000 Hz<br>When adjusting the record-playback curve in 15 ips. use tape with 15u magnetic coating. If tape with 10u magnetic coating are used, the higher frequencies will raise approx. 2 dB. |
| 2.4      | SOURCE/ TAPE                    | a.c. voltmeters       | LINE OUT    | SOURCE/ TAPE         | RECORD 7 1/2"     | Connect an audio-generator, 1000 Hz, to LINE IN. Adjust in SOURCE with the LINE INPUT LEVER to 0,5V on the voltmeters on the LINE OUT, (OUTPUT LEVEL controls to maximum). Set the deck to stereo recording and push the TAPE/SOURCE buttons down to TAPE. Then adjust RECORD LEVEL R19 - R119 so that the level reading is 1 dB higher on the voltmeters.   |
| 2.5      | Record METER adjustment         | a.c. voltmeter        | —           | SOURCE               | RECORD 7 1/2"     | Audio-generator 1000 Hz to LINE IN. Set the deck to SOURCE and in stereo recording. Adjust with the LINE INPUTS LEVEL to 1,5V on the voltmeters. Then adjust the record meters to 0 dB with R25 - R125.  |
| 2.6      | Distortion                      | Distortion meter      | LINE OUT    | TAPE                 | RECORD 7 1/2"     | Connect an audio-generator (or distartion meter generator) 1000 Hz to LINE IN. Record to 0 dB indication on the meters and read the distortion on the LINE OUT. Distortion, max. 3%.   |
| 2.7      | Wow and flutter                 | Wow and flutter meter | LINE OUT    | TAPE                 | RECORD All speeds | Connect the wow-and-flutter meter generator to the LINE IN. Read on the LINE OUT and in all speeds. If necessary, adjust R43 (on the motor control board) to minimum wow and flutter i 3 3/4".<br>Wow and flutter max: 15" 7 1/2" 3 3/4"<br>Peak, DIN 455" 0,07% 0,09% 0,15%<br>Weighted R.M.S. 0,04% 0,06% 0,11%  |

Adjustment table 2



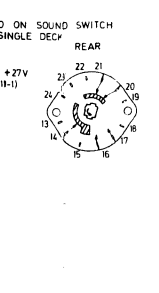
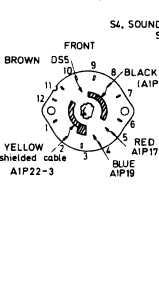
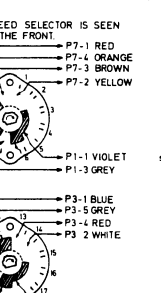
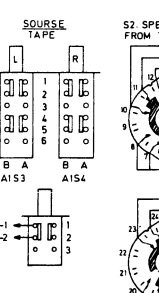
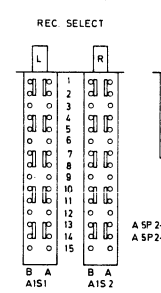
Location of adjustment points on the main board, solder side.





- NOTES:**
- UNLESS OTHERWISE SPECIFIED, RESISTANCE IN OHMS
  - WHEN REFERRING TO A COMPONENT ON A PRINTED BOARD ASSEMBLY PUT THE ASSY DESIGNATION IN FRONT OF THE COMPONENT REFERENCE DESIGNATION (E.G. SPECIFY A1 R1 AND NOT ONLY R1)
  - ALL SWITCH AND RELAY CONTACTS ARE SHOWN IN THE "POWER OFF" POSITION
  - LEFT CHANNEL COMPONENTS HAVE 1-99 RIGHT CHANNEL COMPONENTS HAVE 100-199 AND COMPONENTS COMMON FOR BOTH CHANNELS HAVE 500 NUMBERS.

ALL THE SWITCHES ARE SEEN FROM SOLDER SIDE (NOTE 2 AND 3)



**TABLE 1: SENSITIVITY OF AMPLIFIERS**

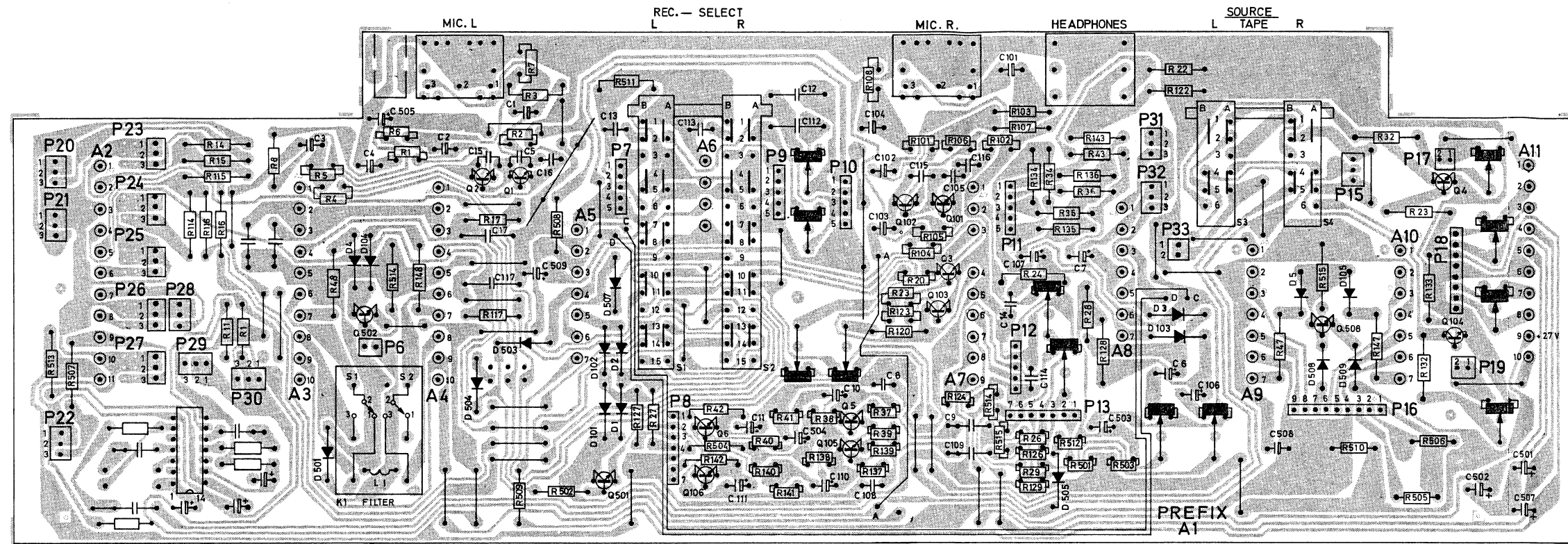
| L  | R    | SENSITIVITY AT 1000Hz AND 7.5 IPS |
|----|------|-----------------------------------|
| 1  | 30mV | 100mV (U.S.)                      |
| 2  | 8mV  | 30mV (U.S.)                       |
| 3  |      | 230 μV (U.S.: 0.5mV)              |
| 4  |      | 30 mV                             |
| 5  |      | 80 mV                             |
| 6  |      | 80 mV                             |
| 7  |      | 4.5 mV                            |
| 8  |      | L3 V                              |
| 9  |      | 150 mV                            |
| 10 |      | 100 mV                            |
| 11 |      | 100 mV                            |
| 12 |      | 1.5 V                             |
| 13 |      | 160 mV                            |
| 14 |      | 2 V                               |

**TABLE 2:**

|              | 230V/240V | 115V |
|--------------|-----------|------|
| R1/R101      | 150k      | 68k  |
| R2/R102 (A1) | 68        | 220  |

**A1 MAIN BOARD CIRCUITS DIAGRAM**

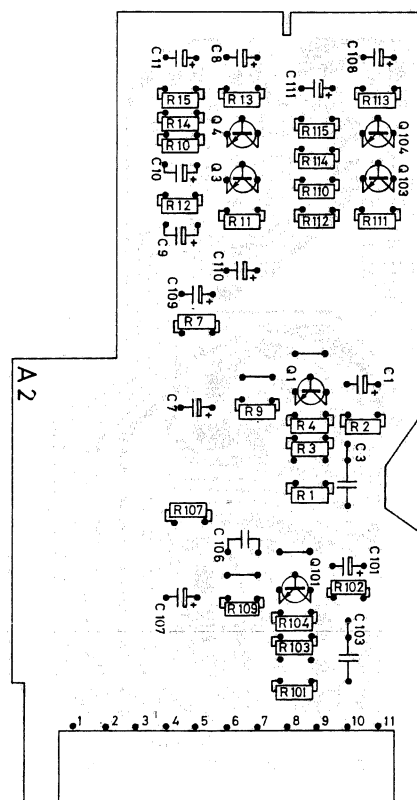




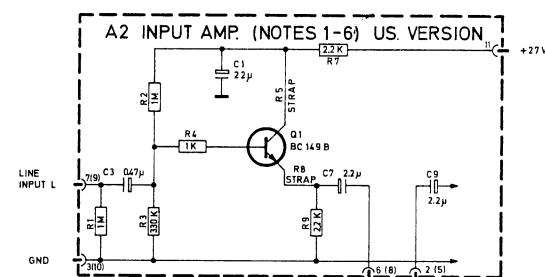
A1 MAIN BOARD

NOTES

1. UNLESS OTHERWISE SPECIFIED RESISTANCE IN OHMS.
2. WHEN REFERRING TO A COMPONENT ON A PRINTED BOARD ASSEMBLY PUT THE ASSY. DESIGNATION IN FRONT OF THE COMPONENT REFERENCE DESIGNATION (E.G. SPECIFY A2R1 AND NOT ONLY R1)
3. ONLY THE L-CHANNEL OF THE ASSEMBLY DESIGNATED A2 IS SHOWN.
4. PLUG TERMINAL NO.'S FOR THE R-CHANNEL ARE GIVEN IN BRACKETS BESIDE THE L-CHANNEL PLUG TERMINAL NO.'S.
5. L-CHANNEL HAS 1-99 AND R-CHANNEL HAS 100-199 AS COMPONENT NO.'S. WHEN REFERRING TO R-CHANNEL COMPONENTS ADD 100 TO THE L-CHANNEL NO.'S (E.G. R100 OF THE R-CHANNEL HAS THE SAME VALUE AS R100 OF THE L-CHANNEL).
6. ALWAYS SPECIFY WHICH VERSION OF THE INPUT AMPLIFIER, THE US OR THE EU MODEL, YOU ARE REFERRING TO, ESPECIALLY WHEN ORDERING COMPONENTS.

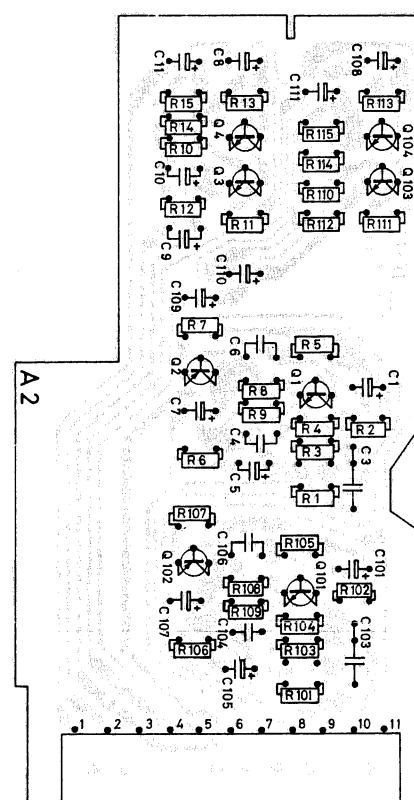


A2 INPUT AMP. BOARD, U.S. VERSION

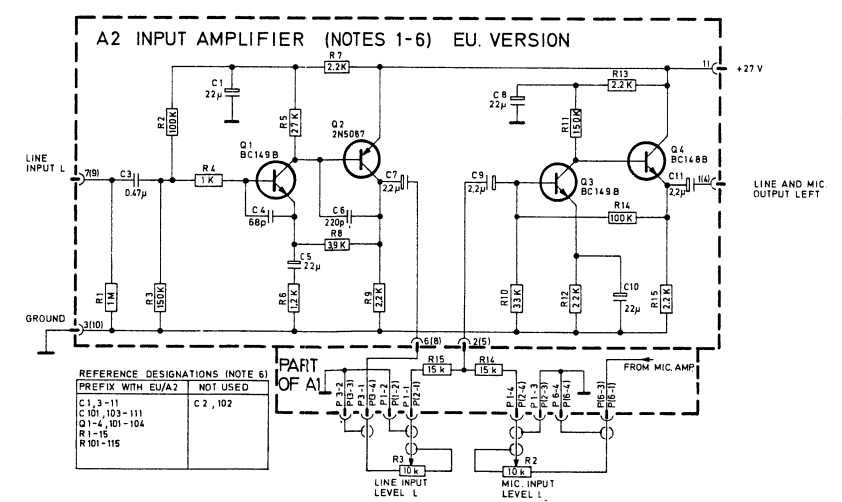


| REFERENCE DESIGNATIONS (NOTE 6) |                     | NOT USED |  |
|---------------------------------|---------------------|----------|--|
| PREFIX WITH USA/2               |                     |          |  |
| C1, 3, 7-11                     | C2, 4, 5, 6         |          |  |
| C101, 103, 107, 111             | C102, 104, 105, 106 |          |  |
| D1, 3, 4, 101, 103, 104         | Q2, 102             |          |  |
| R1-4, 7, 9-11                   | R5, 5, 8            |          |  |
| R101-104, 107, 109-111          | R105, 104, 106      |          |  |

| COMPONENTS CHANGED ON USA/2 |       |           |  |
|-----------------------------|-------|-----------|--|
| REF. DESIGN.                | FROM  | TO        |  |
| R2, 102                     | 100 K | 1M        |  |
| R3, 103                     | 150 K | 330 K     |  |
| R5, 105                     | 27 K  | 0 (STRAP) |  |
| R8, 108                     | 39 K  | 0 (STRAP) |  |



A2 INPUT AMP. BOARD, EUROPEAN VERSION

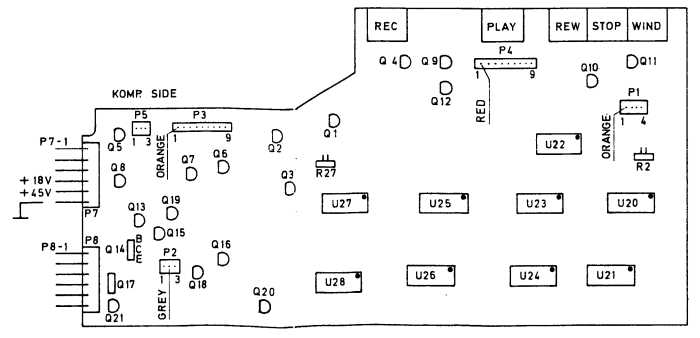
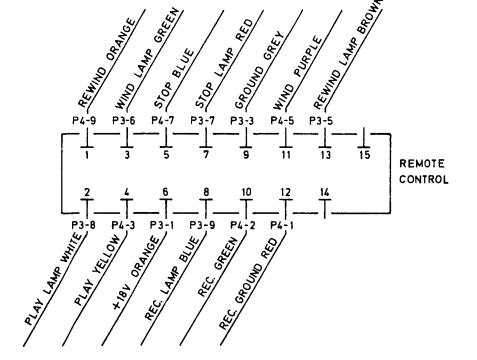
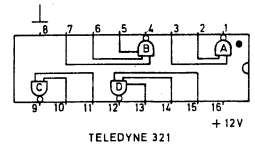
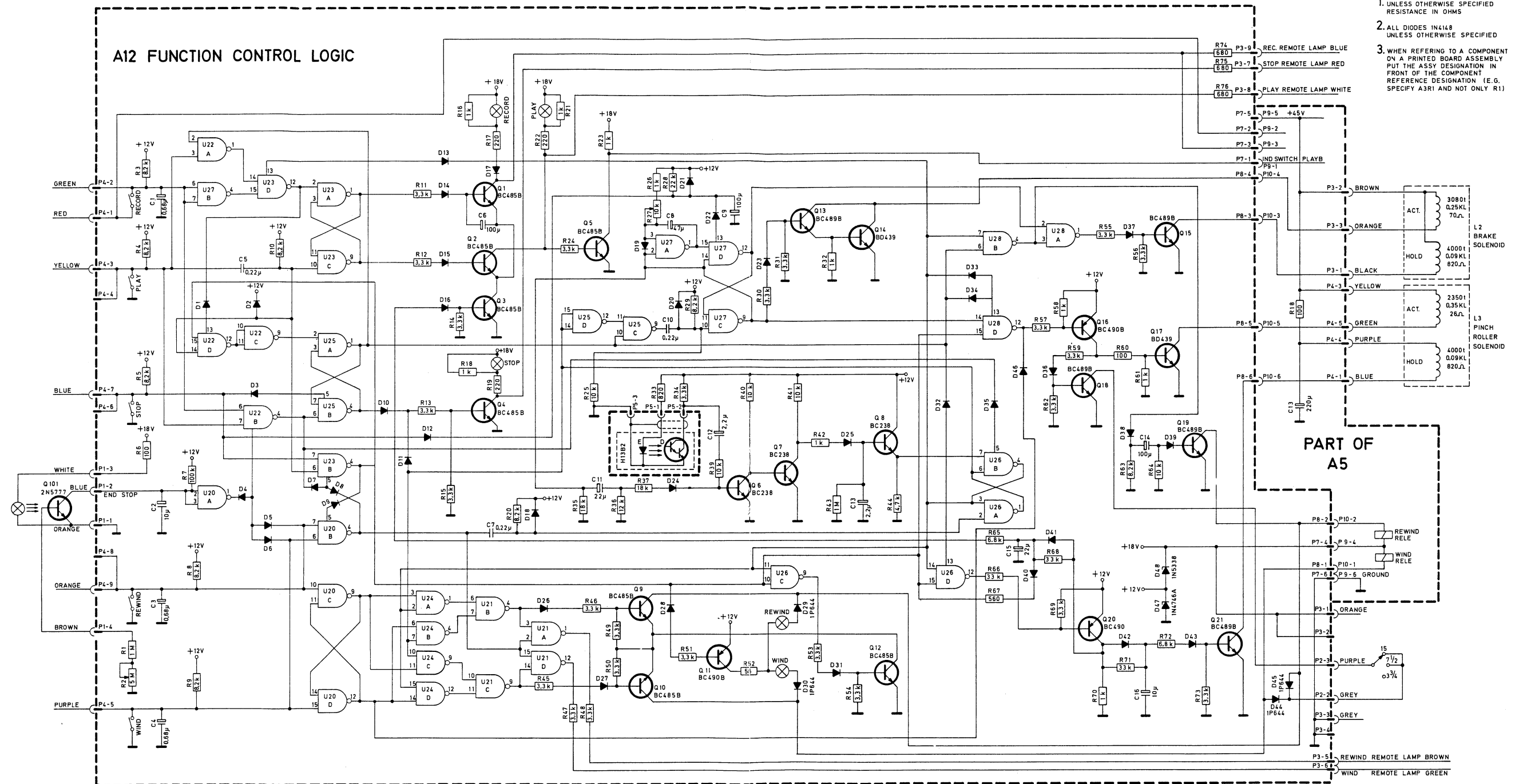


| REFERENCE DESIGNATIONS (NOTE 6) |         | NOT USED |  |
|---------------------------------|---------|----------|--|
| PREFIX WITH EU/2                |         |          |  |
| C1, 3-11                        | C2, 102 |          |  |
| C101, 103-111                   |         |          |  |
| Q1-4, 101-104                   |         |          |  |
| R1-15                           |         |          |  |
| R101-115                        |         |          |  |

ALL THE BOARDS ARE SEEN FROM SOLDER SIDE

**A12 FUNCTION CONTROL LOGIC**

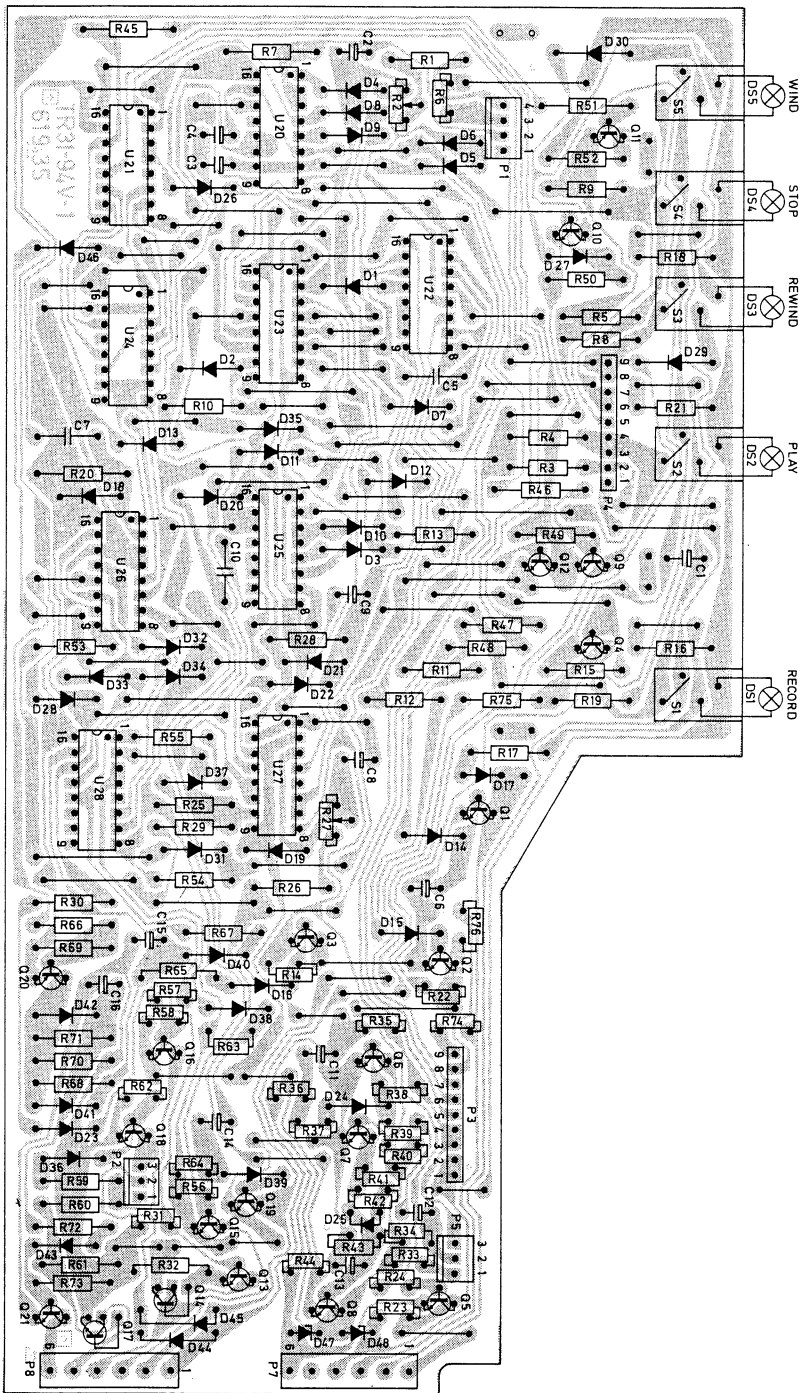
- NOTES**
1. UNLESS OTHERWISE SPECIFIED RESISTANCE IN OHMS
  2. ALL DIODES IN4148 UNLESS OTHERWISE SPECIFIED
  3. WHEN REFERRING TO A COMPONENT ON A PRINTED BOARD ASSEMBLY PUT THE ASSY DESIGNATION IN FRONT OF THE COMPONENT REFERENCE DESIGNATION (E.G. SPECIFY A3R1 AND NOT ONLY R1)



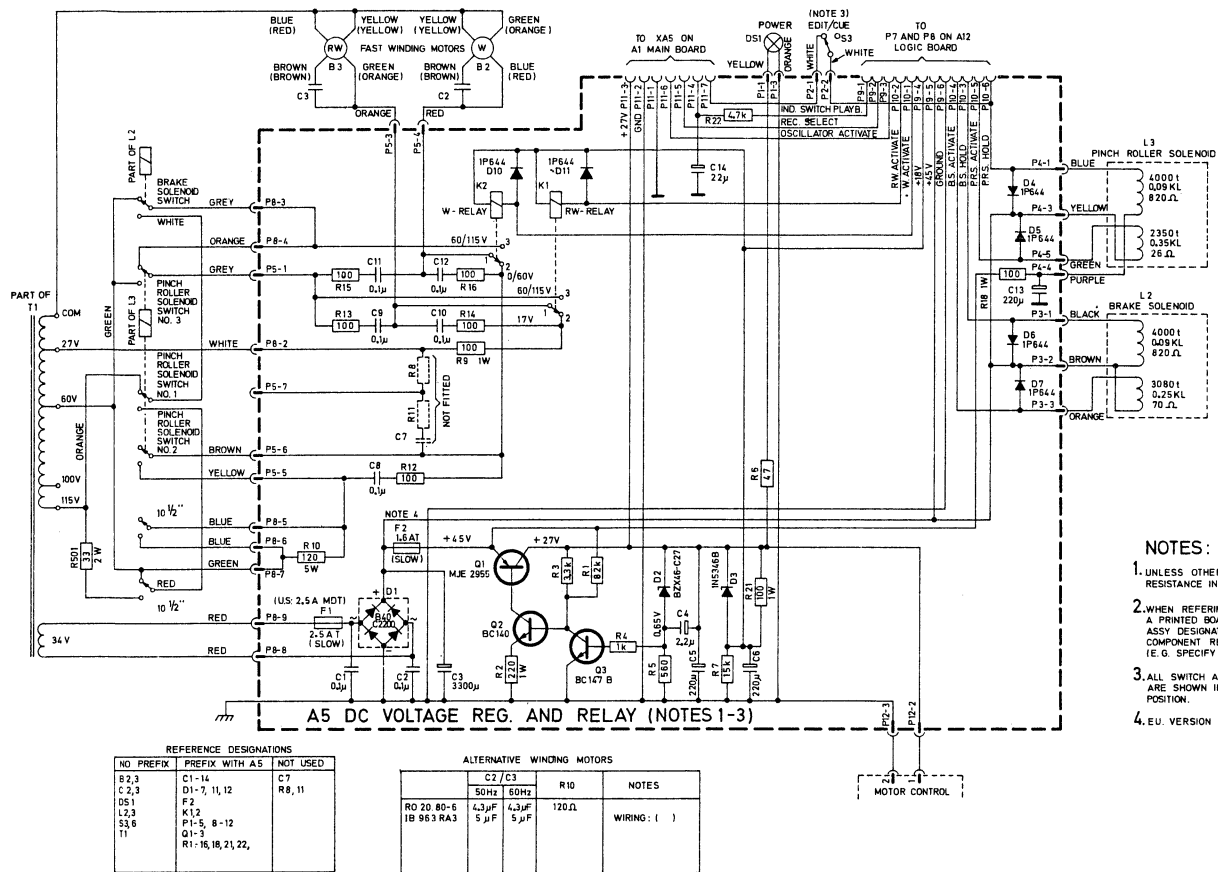
- NOTES**
1. UNLESS OTHERWISE SPECIFIED RESISTANCE IN OHMS
  2. ALL DIODES IN4148 UNLESS OTHERWISE SPECIFIED
  3. WHEN REFERRING TO A COMPONENT ON A PRINTED BOARD ASSEMBLY PUT THE ASSY DESIGNATION IN FRONT OF THE COMPONENT REFERENCE DESIGNATION (E.G. SPECIFY A3R1 AND NOT ONLY R1)

**A12 FUNCTION CONTROL LOGIC**

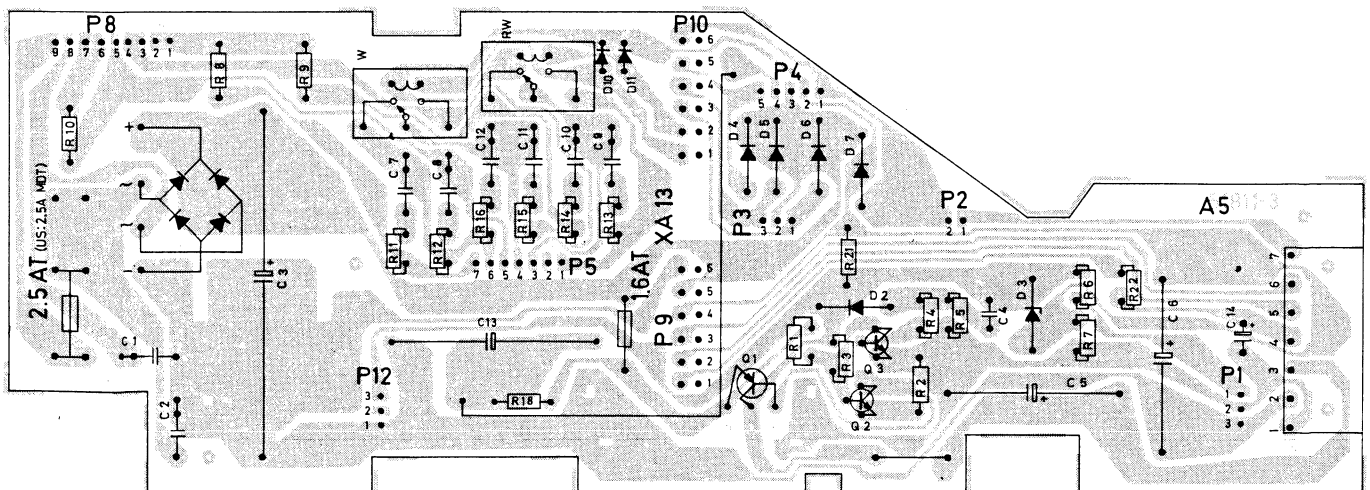




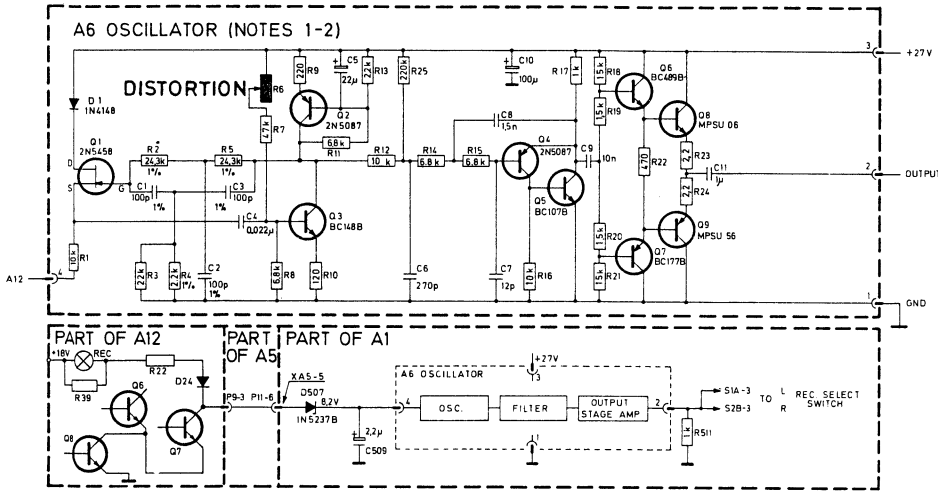
A12 LOGIC BOARD



- NOTES:**
- UNLESS OTHERWISE SPECIFIED RESISTANCE IN OHMS.
  - WHEN REFERRING TO A COMPONENT ON A PRINTED BOARD ASSEMBLY PUT THE ASSY DESIGNATION IN FRONT OF THE COMPONENT REFERENCE DESIGNATION (E.G. SPECIFY AS R1, NOT ONLY R1).
  - ALL SWITCH AND RELAY CONTACTS ARE SHOWN IN THE "POWER OFF" POSITION.
  - EU. VERSION ONLY.



**A5 D.C. VOLTAGE REG. AND RELAY CIRCUIT.**

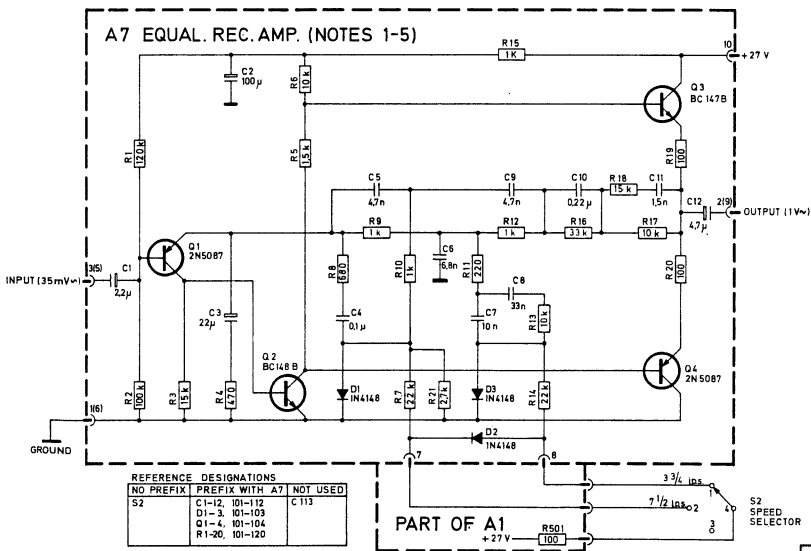
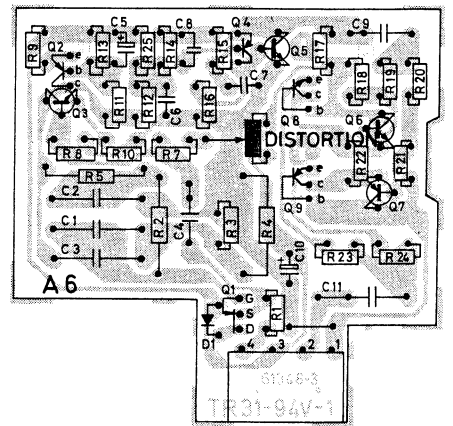


- NOTES:
1. UNLESS OTHERWISE SPECIFIED RESISTANCE IN OHMS.
  2. WHEN REFERRING TO A COMPONENT ON A PRINTED BOARD ASSEMBLY PUT THE ASSY DESIGNATION IN FRONT OF THE COMPONENT REFERENCE DESIGNATION (E.G. SPECIFY A6R1 AND NOT ONLY R1).

REFERENCE DESIGNATIONS

| NO PREFIX | PREFIX WITH A6 | NOT USED |
|-----------|----------------|----------|
| C1-11     |                |          |
| Q1-9      |                |          |
| R1-25     |                |          |

**A6 OSCILLATOR BOARD**



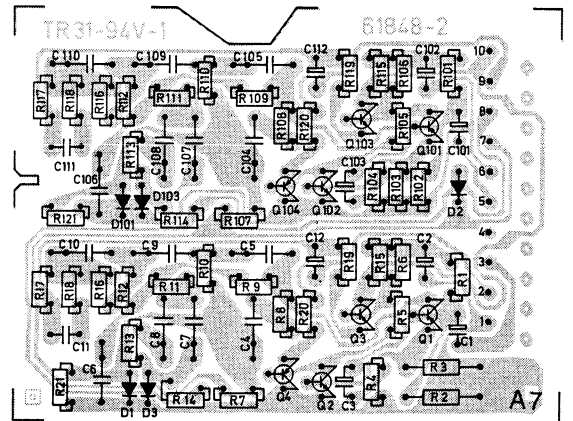
**Modifications.**

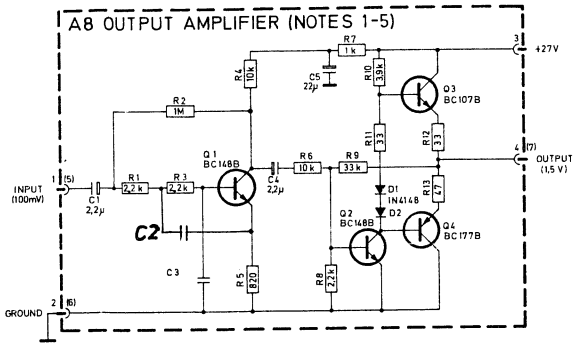
| Component | Value       | Changed to:   |
|-----------|-------------|---------------|
| C4/C104   | 0.1 $\mu$ F | 0.047 $\mu$ F |
| R8/R108   | 680 ohm     | 1.5 k ohm     |
| C6/C106   | 6.8n        | 3.3n          |
| C7/C107   | 10n         | 15n           |

**NOTES**

1. UNLESS OTHERWISE SPECIFIED RESISTANCE IN OHMS.
2. WHEN REFERRING TO A COMPONENT ON A PRINTED BOARD ASSEMBLY PUT THE ASSY DESIGNATION IN FRONT OF THE COMPONENT REFERENCE DESIGNATION (E.G. SPECIFY A7R1 AND NOT ONLY R1).
3. ONLY THE L-CHANNEL OF THE ASSEMBLY DESIGNATED A7 IS SHOWN.
4. PLUG TERMINAL NOS FOR THE R-CHANNEL ARE GIVEN IN BRACKETS BESIDE THE L-CHANNEL PLUG TERMINAL NOS.
5. L-CHANNEL HAS 1 99 AND R-CHANNEL HAS 100-199 AS COMPONENT NOS. WHEN REFERRING TO R-CHANNEL COMPONENTS ADD 100 TO THE L-CHANNEL NOS (E.G. R17 OF THE L-CHANNEL HAS THE SAME VALUE AS R117 OF THE R-CHANNEL).

**A7 EQUAL REC. AMP.**

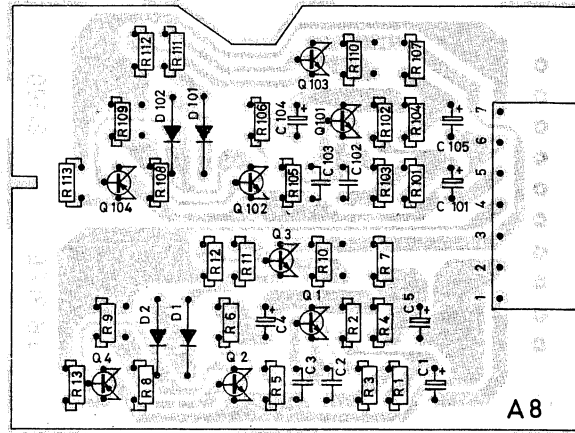




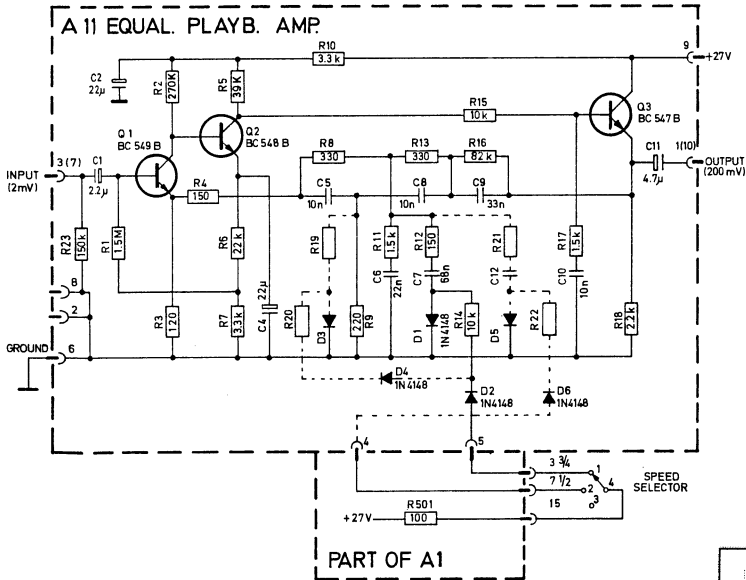
NOTES:

C2 3300pF  
C3 1500pF

1. UNLESS OTHERWISE SPECIFIED RESISTANCE IN OHMS.
2. WHEN REFERRING TO A COMPONENT ON A PRINTED BOARD ASSEMBLY PUT THE ASSY DESIGNATION IE G. SPECIFY A8R1 AND NOT ONLY R1.
3. ONLY THE L-CHANNEL OF THE ASSEMBLY DESIGNATED A8 IS SHOWN.
4. PLUG TERMINAL NO'S FOR THE R-CHANNEL ARE GIVEN IN BRACKETS BESIDE THE L-CHANNEL PLUG TERMINAL NO'S.
5. L-CHANNEL HAS 1-99 AND R-CHANNEL HAS 100-199 AS COMPONENT NO'S WHEN REFERRING TO R-CHANNEL COMPONENTS, ADD 100 TO THE L-CHANNEL NO'S IE G. R17 OF THE L-CHANNEL HAS THE SAME VALUE AS R107 OF THE R-CHANNEL.



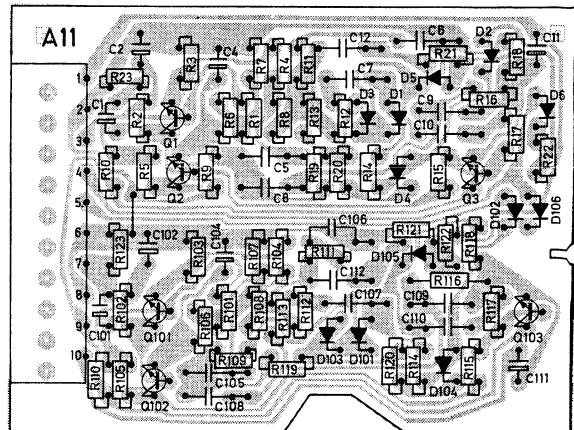
A8 OUTPUT AMPLIFIER

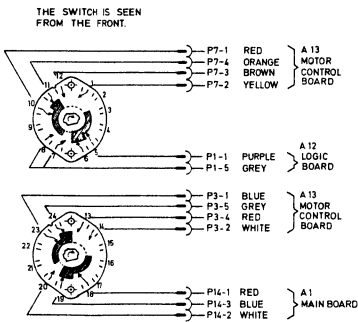
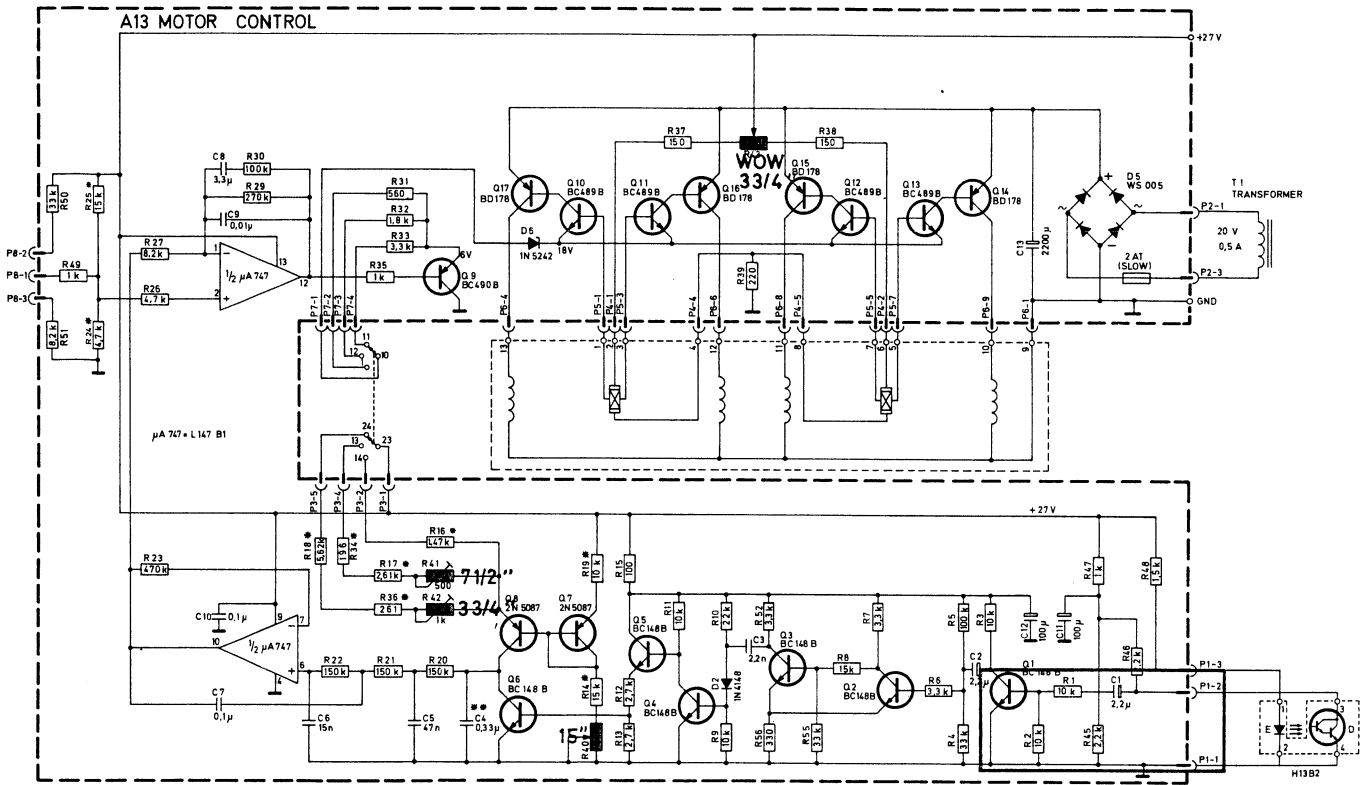


NOTES:

1. UNLESS OTHERWISE SPECIFIED RESISTANCE IN OHMS.
2. WHEN REFERRING TO A COMPONENT ON A PRINTED BOARD ASSEMBLY PUT THE ASSY DESIGNATION IN FRONT OF THE COMPONENT REFERENCE DESIGNATION IE G. SPECIFY A11R1 AND NOT ONLY R1.
3. ONLY THE L-CHANNEL OF THE ASSEMBLY DESIGNATED A11 IS SHOWN.
4. PLUG TERMINAL NO'S FOR THE R-CHANNEL ARE GIVEN IN BRACKETS BESIDE THE L-CHANNEL PLUG TERMINAL NO'S.
5. L-CHANNEL HAS 1-99 AND R-CHANNEL HAS 100-199 AS COMPONENT NO'S WHEN REFERRING TO R-CHANNEL COMPONENTS, ADD 100 TO THE L-CHANNEL NO'S IE G. R17 OF THE L-CHANNEL HAS THE SAME VALUE AS R107 OF THE R-CHANNEL.

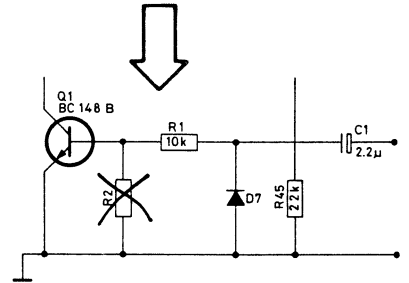
A11 EQUAL PLAYB. AMP.



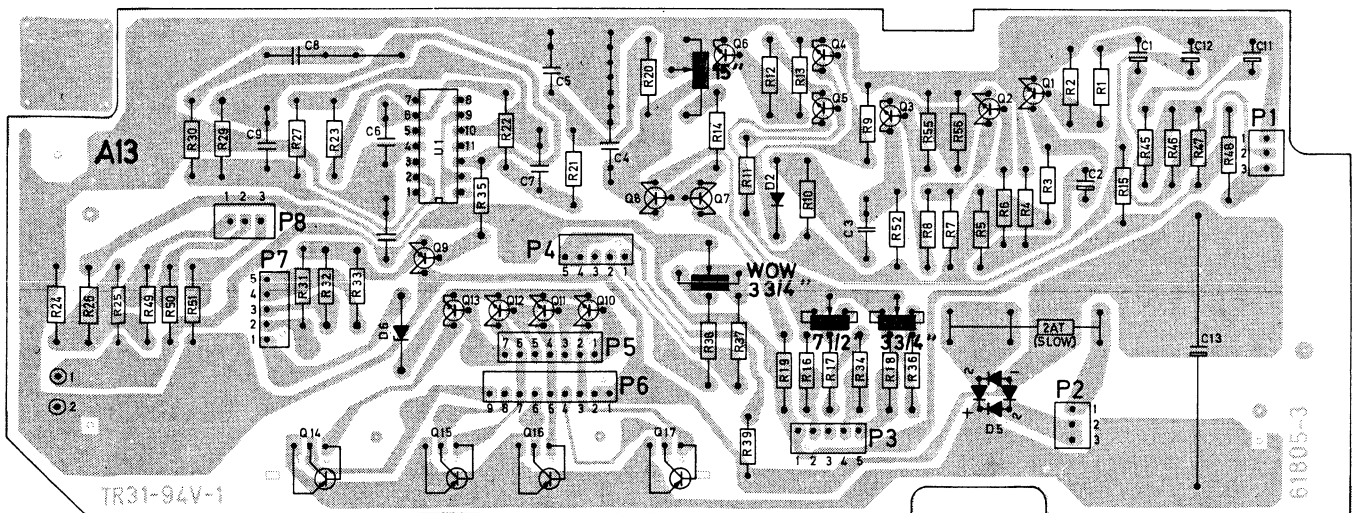


**Modifications.**

| Component | Value     | Changed to:        |
|-----------|-----------|--------------------|
| R39       | 220 ohm   | 150 ohm, 2W        |
| R37/R38   | 150 ohm   | 330 ohm            |
| R32       | 1.8 k ohm | 1.2 k ohm          |
| R33       | 3.3 k ohm | 2.2 k ohm          |
| D6        | IN5242    | Replace with strap |



Install D7, 1N4148 between R1 and C1 to ground. R2 removes.



**A13 MOTOR CONTROL**