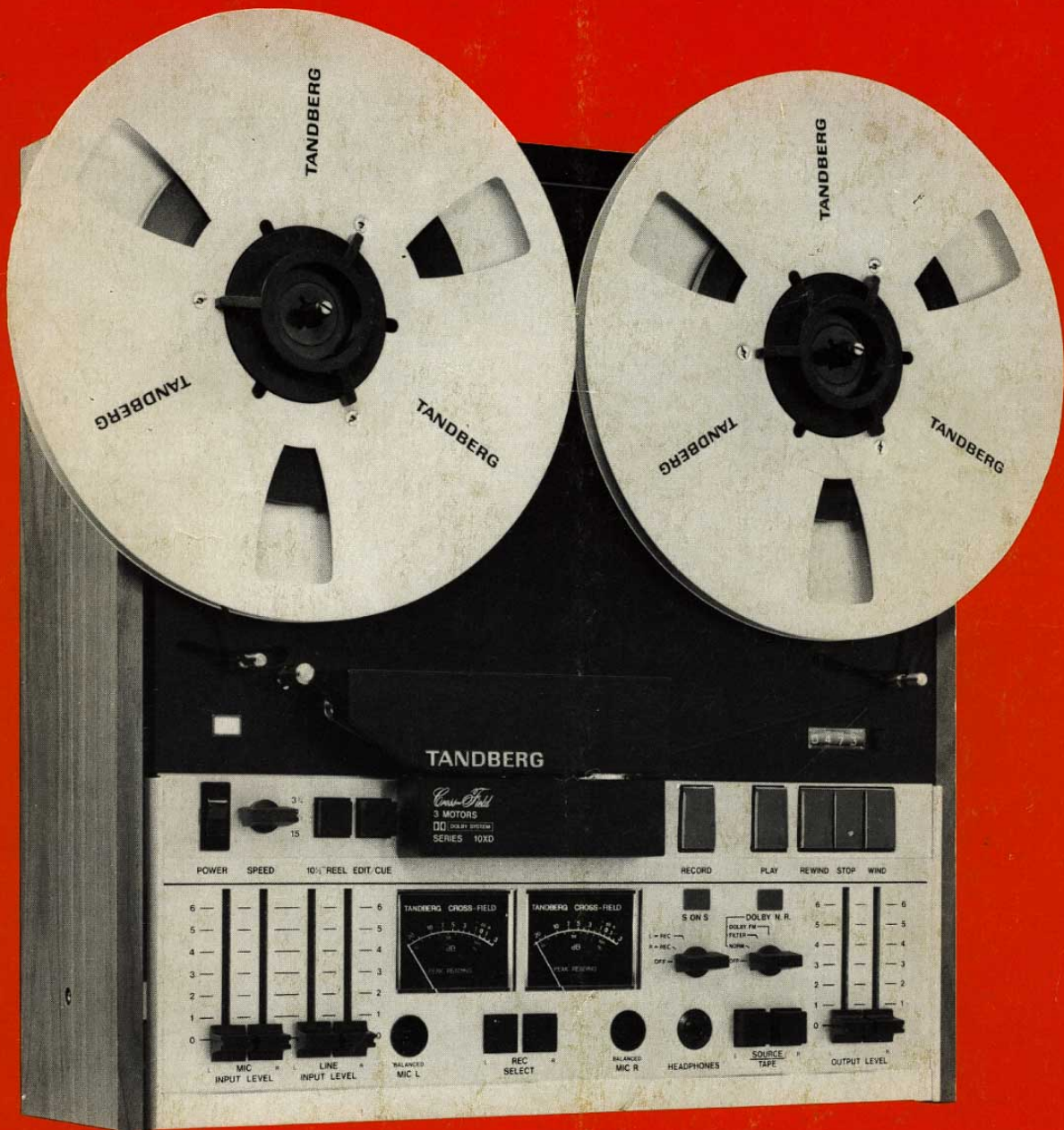


TANDBERG

10 XD SERVICE MANUAL



CONTENTS

	Page
1. Introduction	3
1.1 General	3
1.2 Removing the top panel	3
1.3 Replacing the top panel	3
1.4 Threading the tape	3
2. Maintenance	4
2.1 Cleaning the tape path	4
2.2 Lubrication	4
3. Mechanical checks and adjustments	5
3.1 Checking the braking force	5
3.2 Checking the clearance on the brake arm	5
3.3 Adjusting the braking force	6
3.4 The brake solenoid	6
3.5 The pinch roller solenoid	7
3.6 The pinch roller	7
3.7 The reel motors	7
3.8 The tape tension arms	8
3.9 The photo-electric sensors	9
3.10 The thrust bearings	9
4. Changing and adjusting the heads	10
5. Changing lamps	10
5.1 Changing mode button lamps	10
5.2 Changing the photo-electric stop lamp	10
6. Changing the power supply transformer tapings	11
7. Electrical circuits	12
7.1 Motor	12
7.2 Oscillator	14
7.3 Checking the record response curve	14
7.4 Checking the playback response curve	15
7.5 Changing from NAB correction to IEC correction, 2 track	16
8. Electrical adjustments	18
Block diagram	20
High level in STOP, on function control logic and sensor.	21
Circuit diagrams and printed boards	22
Modifications	31
Main board circuit diagram. From serial No. 237245	32
Function control logic circuit. From serial No. 2372800.	34

1. INTRODUCTION

1.1 GENERAL

Only HL (High output/Low noise) tape should be used for recording. Make sure that the heads and tape path are clean.

To check the heads, simply remove the two head covers. They should be pulled straight off.

When electrical adjustments are to be made, the right side panel and the base panel must be removed.

1.2 REMOVING THE TOP PANEL

Pull the top head cover off and remove the two screws beneath it as shown in Figure 1.1. Remove the two screws in each side panel and pull the panels off.

Remove the screw in the angle bracket holding the front panel (one on each side) and remove the bracket as shown in Figure 1.1. Twist the thin part of the fork on the right tape-tension arm anti-clockwise to allow the top panel to pass over the arm. Lift the panel off.

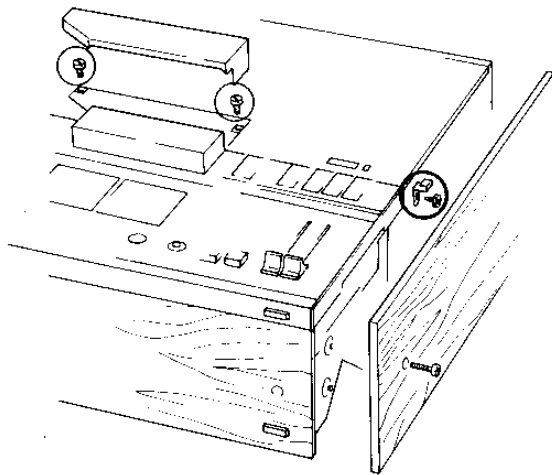


Fig. 1.1 Removing the top panel

1.3 THREADING THE TAPE

The 10XD has a tape guide post adjacent to the left tape tension arm. It is important for the tape to be threaded past this post as shown in Figure 1.2.

This post ensures that the correct tension is achieved and that the servo brake operates correctly on the left tape tension arm.

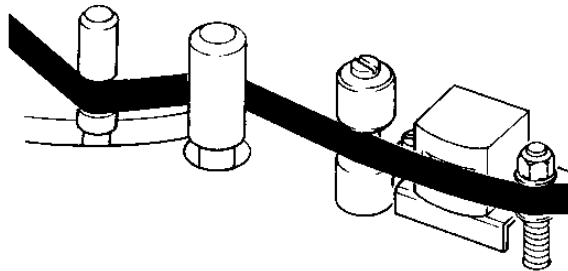
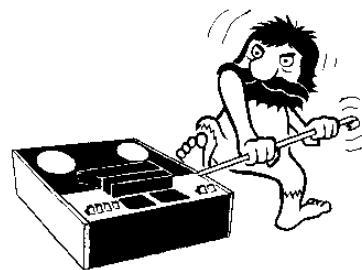


Fig. 1.2 Threading the tape



2. MAINTENANCE

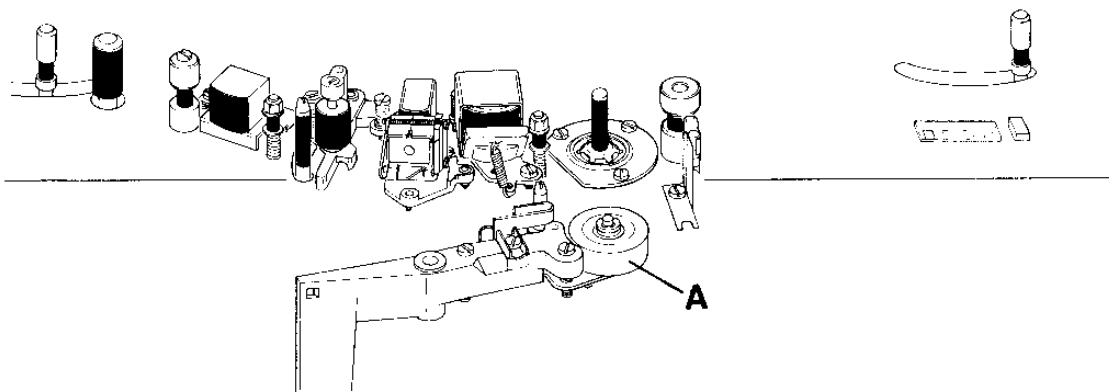


Fig. 2.1 Cleaning the tape path

2.1 CLEANING THE TAPE PATH

It is important that the tape path is clean before adjustments are made. The tape tension arms must also be cleaned. If the heads or guide posts have been adjusted, the tape path must be de-magnetized.

Cleaning should be carried out with cotton-bud sticks (Q tips) moistened with *pure alcohol or methylated spirits*. A special cleaning kit called "Tandberg Professional Tape Head Cleaner" is also available.

Aerosol sprays indented for video tape recorders may be used, but it is not sufficient just to spray the parts; cotton-bud sticks must also be used.

Obstinate deposits on guide posts should be first well softened and then removed with the aid of a toothpick.

The pinch roller A should be cleaned if the tape runs unevenly or if there are visible deposits on the roller (4 to 6 times a year should be sufficient, even if the tape recorder is much used). Make sure that the pinch roller is dry after cleaning.

2.2 LUBRICATION

The pinch roller and the flywheel have self-lubricating bearings and must not be lubricated. The reel motors need no lubrication.

Papst motors, to serial No. 237531

The upper bearing on the motor should be lubricated after every 1500 hours of operation or at every regular service check. Remove the motor pulley and apply only one drop of CHRONOSYTH 1/3 oil from Klüber. The oil can be obtained from our service department.

Siemens motors, from serial No. 2376532

This motor needs no lubrication and must not be lubricated.

3. MECHANICAL CHECKS AND ADJUSTMENTS

3.1 CHECKING THE BRAKING FORCE

The tape recorder should be in the STOP mode or the POWER switch should be off.

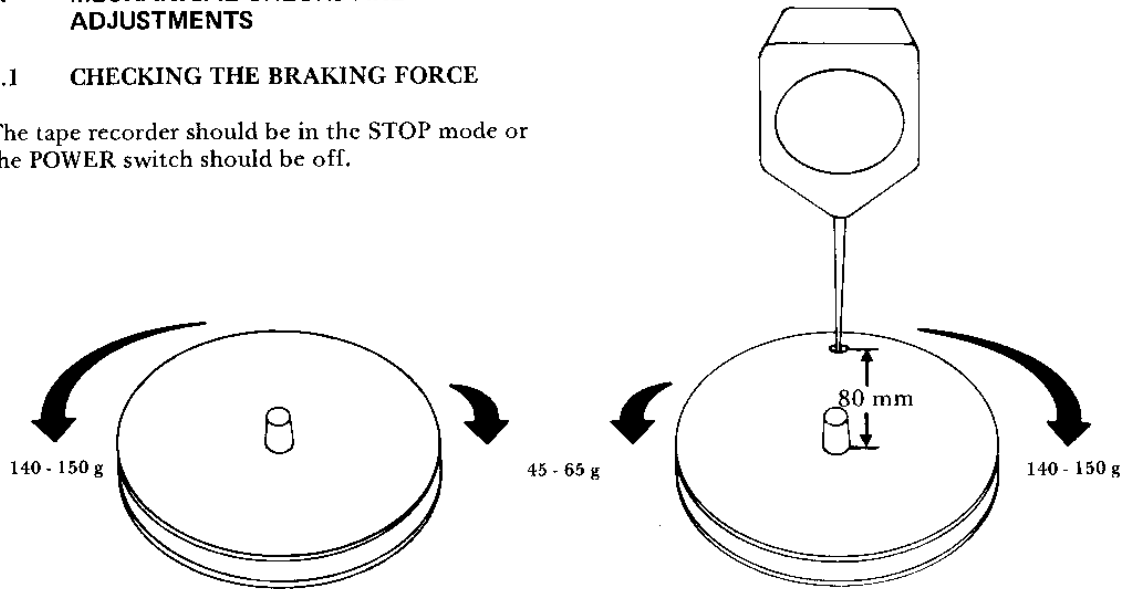


Fig. 3.1 Checking the braking force

A 7" reel with a hole drilled in it 80 mm from the hub hole is required together with a torque gauge. Lay the reel on the left or right turntable (see Figure 3.1).

Insert the leg of the torque gauge into the drilled hole and try to turn the reel with the gauge. When the gauge overcomes the braking force, note the force in gauges. The force should correspond to that shown in Figure 3.1. Check both brakes in both directions.

3.2 CHECKING THE CLEARANCES ON THE BRAKE ARM

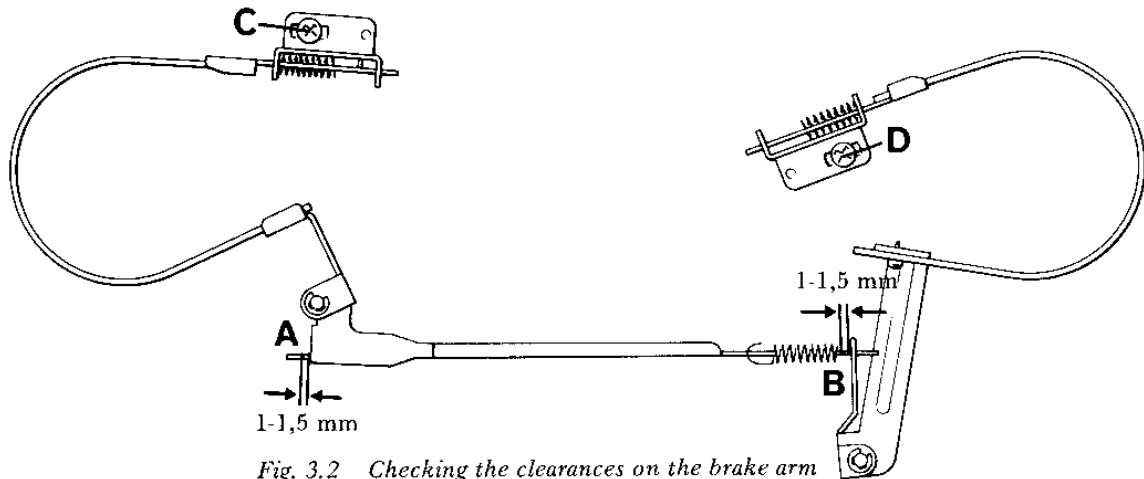


Fig. 3.2 Checking the clearances on the brake arm

Before adjusting the braking force, check that the clearances A and B in Figure 3.2 are between 1 and 1.5 mm. The clearances can be adjusted with screws C and D when the machine is in the STOP mode or the POWER is switched off.

If the braking force is not correct it should be adjusted as explained in 3.3, but the check described in 3.2 should be carried out first.

3.3 ADJUSTING THE BRAKING FORCE

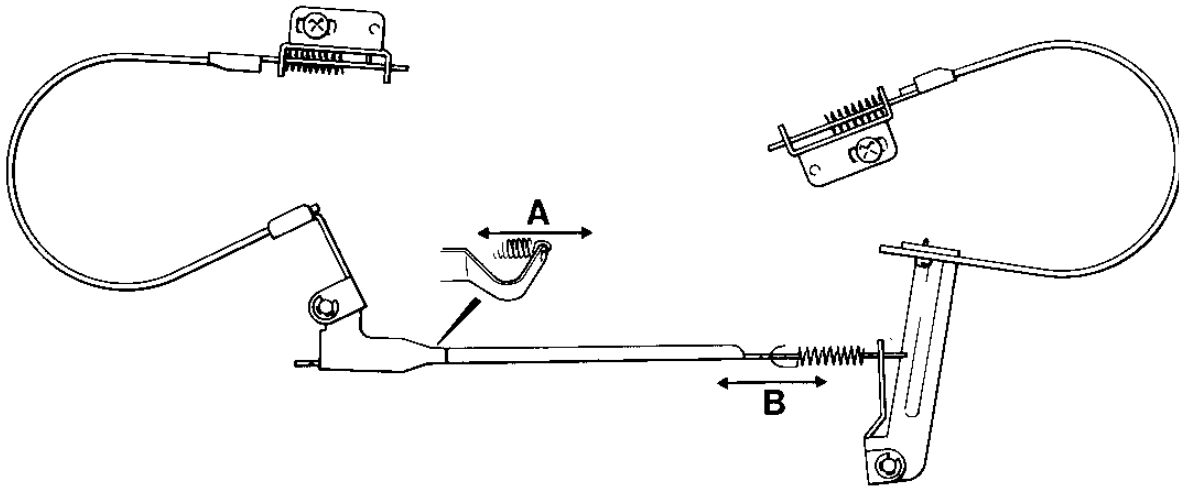


Fig. 3.3 Adjusting the braking force

Adjust the braking force on the left turntable by bending the arm A in Figure 3.3 to make it longer or shorter. The tighter the spring and the greater the braking force.

Adjust the braking force on the right turntable by moving spring B to another notch as shown in Figure 3.3. After adjusting the braking force ensure that the brake bands are being applied (see next Paragraph).

3.4 THE BRAKE SOLENOID

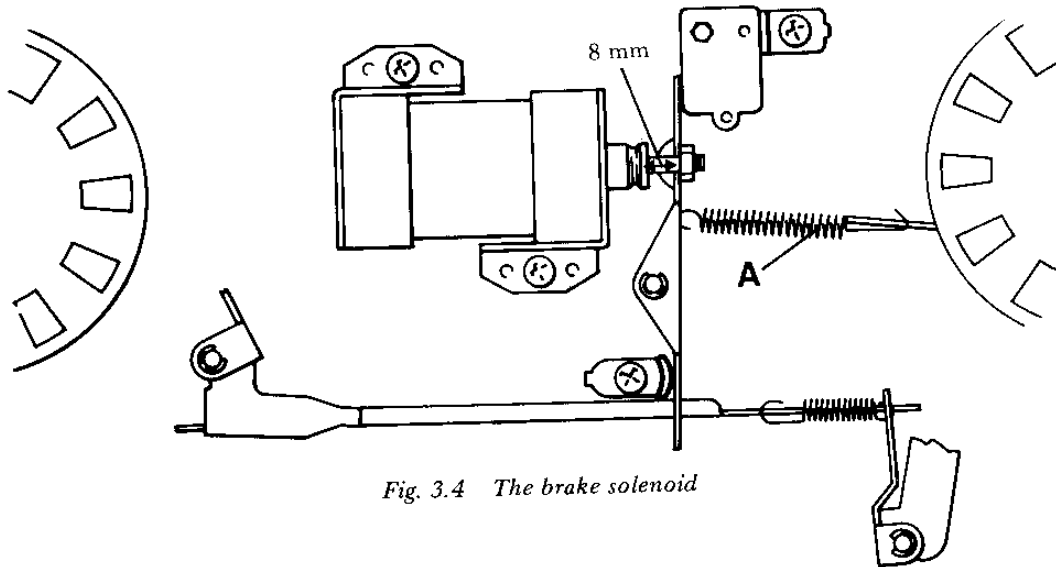


Fig. 3.4 The brake solenoid

The brake solenoid releases the brake bands for all operational modes except STOP. When the brake solenoid is changed it is, as a rule, not necessary to re-adjust the nut on the armature.

The nut on the armature is adjusted so that the brake band is released and the microswitch is released in PLAY. In STOP, spring A shown in

Figure 3.4 should be strong enough to pull the arm to the right so that the microswitch is operated and the brake band is applied. The arm should operate the switch pin, but it should not come into contact with the switch body. There must be a small clearance between the arm and the switch body.

3.5 THE PINCH ROLLER SOLENOID

When the pinch roller solenoid is changed it is very important to check (and if necessary adjust) the distance shown in Figure 3.5. The distance must be between 0.5 and 1 mm when the machine is in PLAY. This corresponds to a pinch roller/capstan pressure of between 1.2 and 1.4 kg.

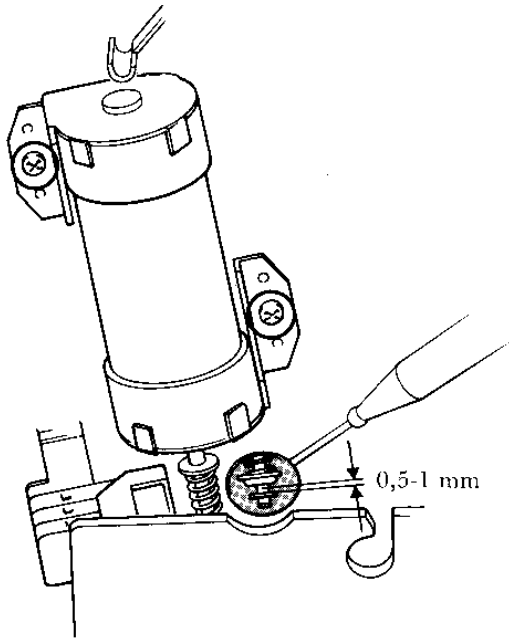


Fig. 3.5 The pinch roller solenoid

Check the distance with the aid of a dentist's mirror when the machine is in PLAY, and if it is not correct slacken the screws ringed in colour in Figure 3.5 and move the solenoid brackets to obtain the correct distance.

Check that the bracket which operates the micro-switches does not come into contact with the switch body in PLAY — there must be a small clearance.

To check the pinch roller pressure simply place a gauge on the pinch roller shaft when the machine is in PLAY. Press away from the capstan and when the pinch roller stops, the indication on the gauge should be approximately 1.2 to 1.4 kg.

3.6 THE PINCH ROLLER

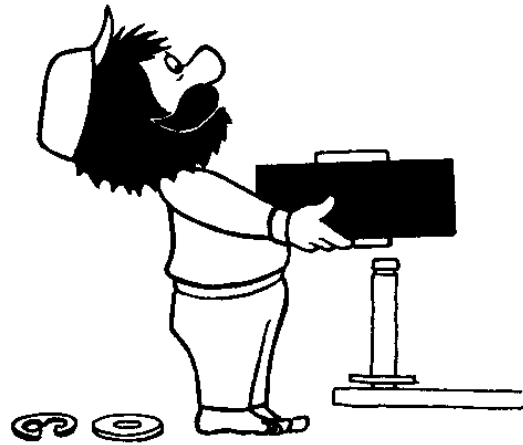


Fig. 3.6 The pinch roller

When the pinch roller is changed make sure that the same number of "turbax" washers are on each side of the roller.

Then check that the tape runs in the middle of the roller without flickering on neither side of the roller.

3.7 THE REEL MOTORS

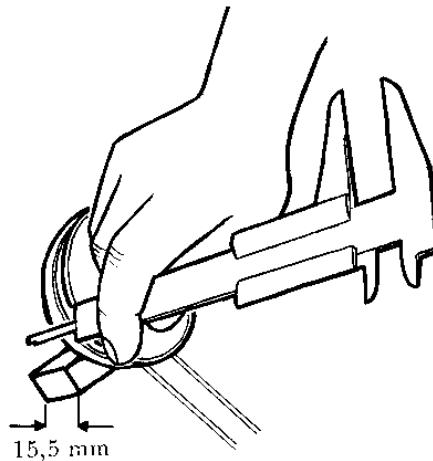


Fig. 3.7 Checking the height of the turntable

When a reel motor is changed, the distance from the chassis plate to the turntable surface should be measured (see Figure 3.7) before the turntable is removed. The turntable should be replaced so that this distance is maintained, or place a spacer between the chassis plate and the turntable.

3.8 TAPE TENSION ARMS

NOTE! These adjustments affect each other. After each adjustment check that the other settings are still correct.

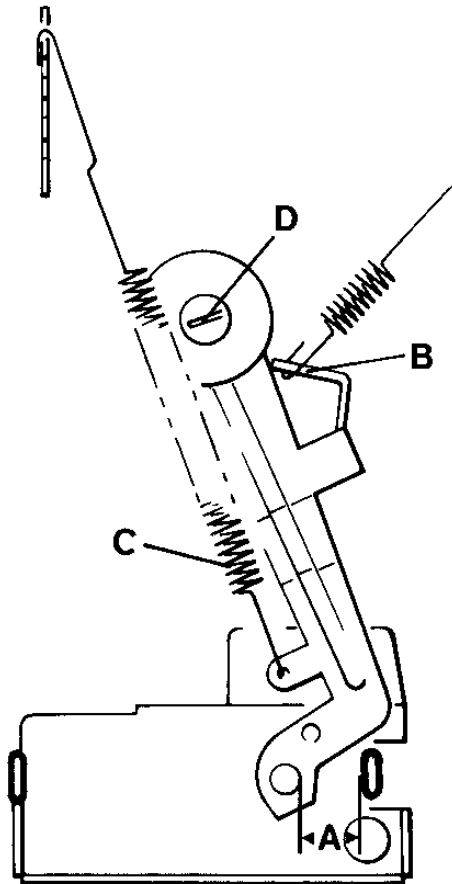


Fig. 3.8 Left tension arm

When the machine is in PLAY the left tape tension arm should release the servo brake (left turntable should be free) when the distance A in Figure 3.8 is between 2 and 13 mm. If necessary, adjust the brake by bending arm B so that the brake band is lifted clear when the tape tension arm is moved to its extreme right hand position.

In REWIND the distance A should be between 0 and 4 mm. This distance can be adjusted by moving spring C (Figure 3.8) down one or two notches to slacken it. Normally the spring is on the top notch.

Height adjustment for tape tension arms.

The height of each tape tension arm can be adjusted by screw D in Figure 3.8 (similar screw on right side). The height should be adjusted so that the tape does not rub on the outer edges of a 10" reel. Make sure that the reel is not necessary distorted so that it has a pronounced bias as it rotates.

Hold-back tension.

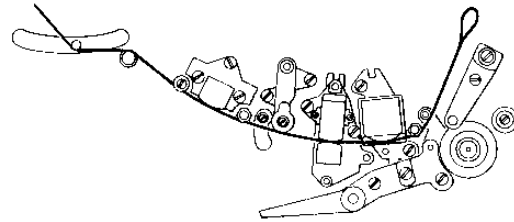


Fig. 3.9 Checking the hold-back tension

Put a 7" reel with a few feet of tape on the supply turntable, and thread the tape through the tape path. See Figure 3.9.

Put a piece of paper between the light source and the photo-transistor. Set the deck to PLAY. Measure the hold-back tension with a gauge. The force required to pull the tape through should be between 70 and 100 g. The absolute value of the tension can be increased or decreased by moving spring C and bending arm B.

Check that the sensing arm does not rest in end-stop positions neither with full or with almost empty supply reel.



3.9 PHOTO-ELECTRIC SENSORS

The machine has one photo-electric sensor near the counter to control the braking sequence, and another sensor adjacent to the flywheel to control the speed.

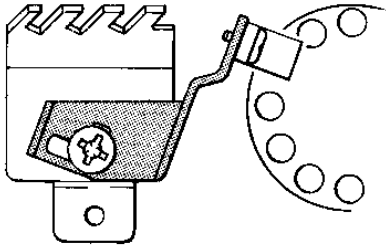


Fig. 3.10 Sensor near the counter

Adjustments to these sensors are not critical. They should be adjusted so that the light beam is broken, but adjust the sensor near the counter to maximum clearance to the belt. See Figure 3.10.

3.10 THRUST BEARINGS

The thrust bearing spring A for the capstan motor (Figure 3.11) should not press the motor spindle completely in. The thrust bearing should press only lightly (approximately 0.5 mm). The spindle and the bearing should contain some grease.

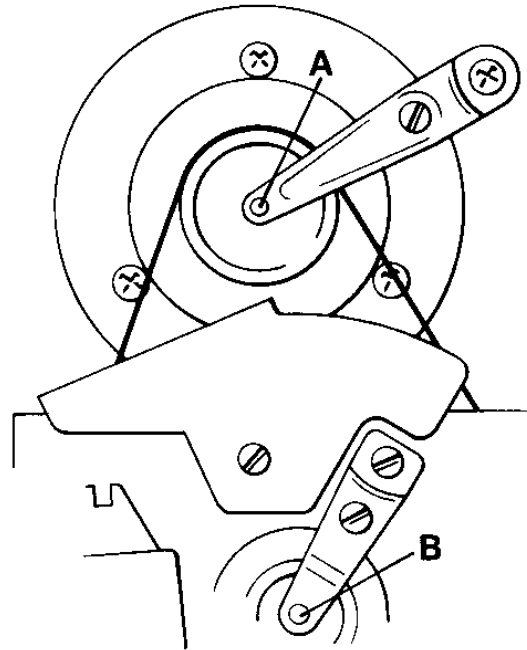
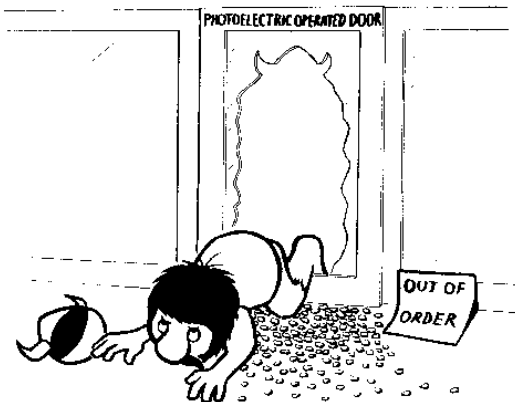


Fig. 3.11 Thrust bearings

The thrust bearing B for the capstan should only touch the capstan without exerting any pressure.



4. CHANGING AND ADJUSTING THE HEADS

All the components are on the Main board A1.

Do not use heads from other models on the 10XD.

On the erase head and the bias head there are labels giving the total capacity.

When the erase head is changed, C13 and C113 may need to be adjusted to retain the same total capacity. C13 and C113 are 120 pF. If necessary, solder another capacitor in parallel with total capacity. The top number on the label concerns the left channel.

Part	4 tracks	2 tracks *
Playback head	5606-P	5822-P
Record head	5972-R	5971-R
Bias head	2276-05B	2013-06B
Erase head	2160-18E	2014-20E

Table 1 Type numbers for 10XD heads

On the bias head C12 and C112 may need to be adjusted. C12 and C112 are 1500 pF.

When ordering heads, use the type numbers in Table 1.

* When changing the heads from 4-track to 2-track the resistor R24-R124 (2.7 k ohm, 4-track) have to be replaced with 2.2 k ohm (2-track).

5. CHANGING LAMPS

5.1 CHANGING MODE BUTTON LAMPS

When one of the lamps on the logic board needs to be changed, the button can be pulled off with the aid of a screwdriver (see Figure 5.0).

NOTE! Insert something soft between the screwdriver and the panel to avoid damage.

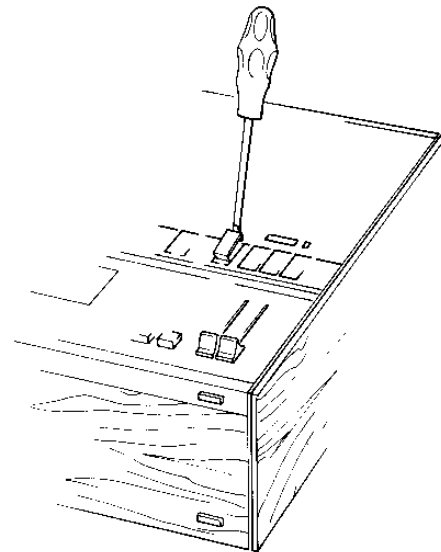


Fig. 5.1 Changing mode button lamps

5.2 CHANGING THE PHOTO-ELECTRIC END STOP LAMP

Put the machine into the PLAY mode. Press the lamp down into the screen until the machine goes into the STOP mode. The screen can also be bent sideways if the machine does not stop when the lamp has reached the bottom of the screen.

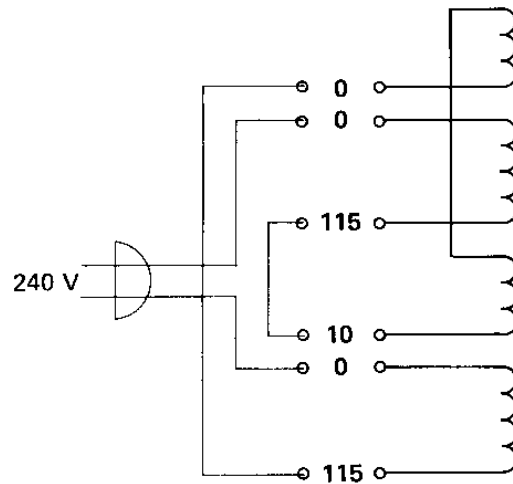
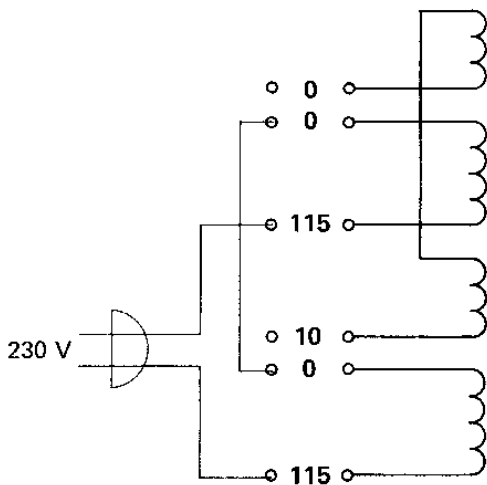
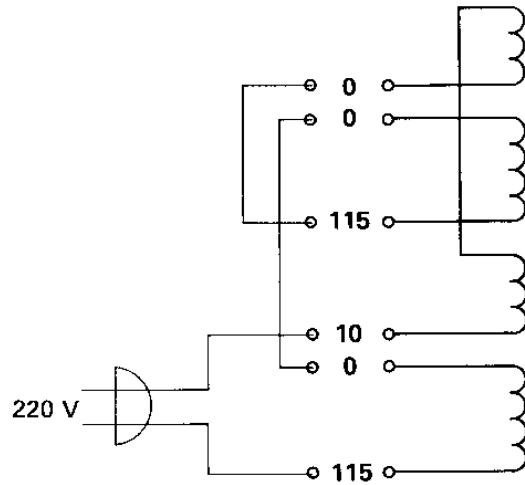
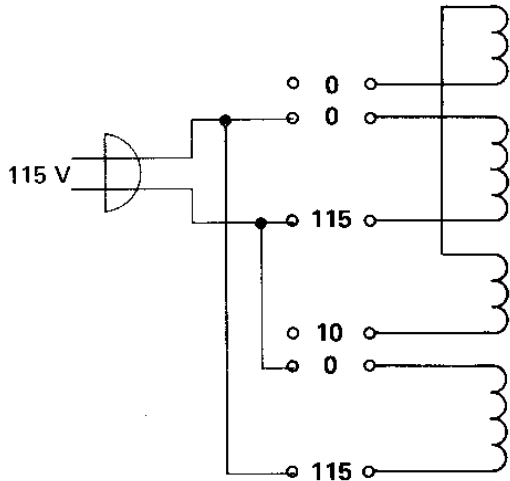
Some machines may go into the STOP mode when leader tape passes the lamp, but this is just a coincidence. The machine should stop when all the tape has passed the lamp.

The base resistor on Q101 can be changed. A larger value, 4.7 M ohm for example, may be required to make the stop work, while a smaller value, 2.2 M ohm may be required if the stop is too sensitive. The resistor are on the logic board.

6. CHANGING THE POWER SUPPLY TRANSFORMER TAPPINGS

Since the machine employs a photo-electric sensor for speed regulation, the speed is not dependent on the power frequency.

To change the wiring of the power supply transformer to suit another power supply voltage, see Figures 4.0, 4.1, 4.2, and 4.3. The power lead must be connected to the primary of the transformer as shown in the relevant Figure.



7. ELECTRICAL CIRCUITS

7.1 MOTOR

The motor is a brushless d.c. motor. Hall elements and transistors replace brushes and commutators. The Hall elements are mounted on a stator that has four windings. The rotor is a powerful permanent magnet.

Hall elements

A Hall element is a semiconductor with four connections. Two of these are outputs and the voltage difference across these two outputs is amplified by transistors to supply current to the motor windings. A Hall element must also be supplied with a d.c. working current.

The Hall elements are placed so that they are cut by the magnetic field of the rotor. The voltage on the outputs of the Hall elements varies with the position of the rotor. The Hall elements are not influenced by the motor windings.

When the magnetic field cuts a Hall element through its longest dimension (see Figure 7.0) there will be no voltage difference across the outputs A and B. A typical voltage on A and B for this situation will be 18.5 V. 18.5 V is dependent on the value of the resistors R1 and R2.

When the magnetic field moves clockwise by 90° and cuts the Hall element across its shortest dimension (see Figure 7.1) the voltage difference across A and B will be greatest. The voltage on A will be 18.1 V and the voltage on B will be 18.9 V. The voltage difference will therefore be 0.8 V.

When the magnetic field moves round to 180° (Figure 7.2) the field will again cut the Hall element through its longest dimension and the voltage difference across A and B will again be 0 V as it was in Figure 1. The only difference between this situation and the situation shown in Figure 1 is that the poles of the magnets are reversed.

When the magnetic field moves round to 270° (Figure 7.3) the field will again cut the Hall element across its shortest dimension and the situation will be similar to that shown in Figure 2 except that here A has 18.9 V and B has 18.1 V. The voltage difference across A and B is again 0.8 V.

As the magnetic field moves into the 90° position or the 270° position the voltage across A and B will gradually increase from 0 V to 0.8 V. As the field moves into the 0° position or the 180° position the voltage across A and B will gradually decrease from 0.8 V to 0 V.

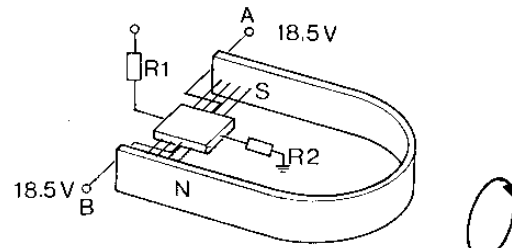


Fig. 7.0 0°

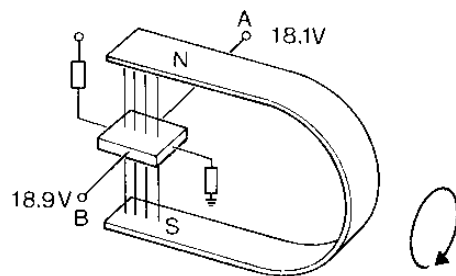


Fig. 7.1 90°

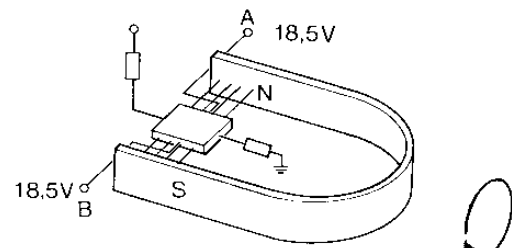


Fig. 7.2 180°

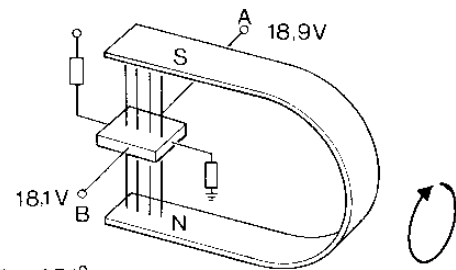


Fig. 7.3 270°

Figure 7.5 is a basic circuit diagram of the motor with its control components. When the North pole of the rotor is opposite the Hall element W the voltage across its A and B outputs will be greatest i.e. the same as in Figure 7.1 (0.8 V). This causes transistor W to deliver the maximum current to its winding and the rotor's North pole is drawn towards the W winding. As the North pole of the motor leaves the W Hall element and goes towards the Y Hall element the current in the W winding reduces and transistor X begins to conduct, and so on.

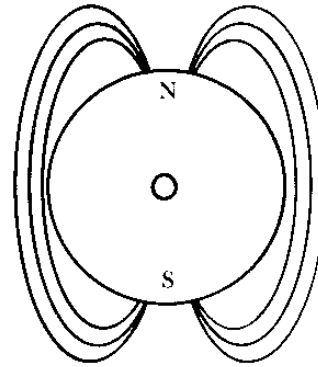


Fig. 7.4 The rotor seen from the top with its magnetic fields

MOTOR REGULATION

The motor regulation principle is based on a toothed flywheel that interrupts a light beam and thereby generates light pulses which are detected by a photo-detector. The pulses are converted to a d.c. voltage and the value of this voltage is determined by the frequency of the pulses. This d.c. voltage is compared with a fixed reference d.c. voltage. The difference between the two d.c. voltages is amplified 30 times in a comparator which then regulates the current supply to the motor.

SPEED CONTROL

Look at Figure 7.6 while you read this paragraph. The photo-detector delivers a peak-clipped sine wave (see graph 1) that is amplified in Q1 so that the output of Q1 is approximately a square wave (see graph 2).

The square wave is applied to a Schmitt trigger consisting of Q2 and Q3. The voltage delivered from the collector of Q3 has a fast cut-off time (see graph 3).

C3 and R10 form a differentiating network that supplies narrow negative pulses to the base of Q4 (see graph 4).

Q4 is normally saturated (turned hard on) but it goes into cut-off every time a negative pulse arrives. The collector of Q4 delivers short positive pulses (see graph 5). Q5 is connected as an emitter follower to enable it to feed sufficient current to the next stage.

Q7 ensures that the working voltage across Q8 is stable.

Q8 charges C4. The charging current is determined by resistors located in the speed control circuit which are connected to the emitter of Q8.

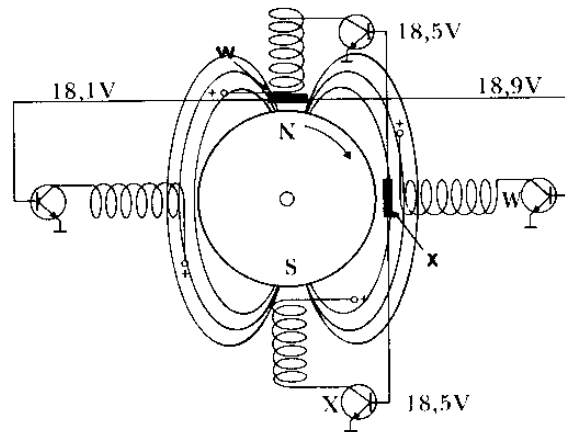
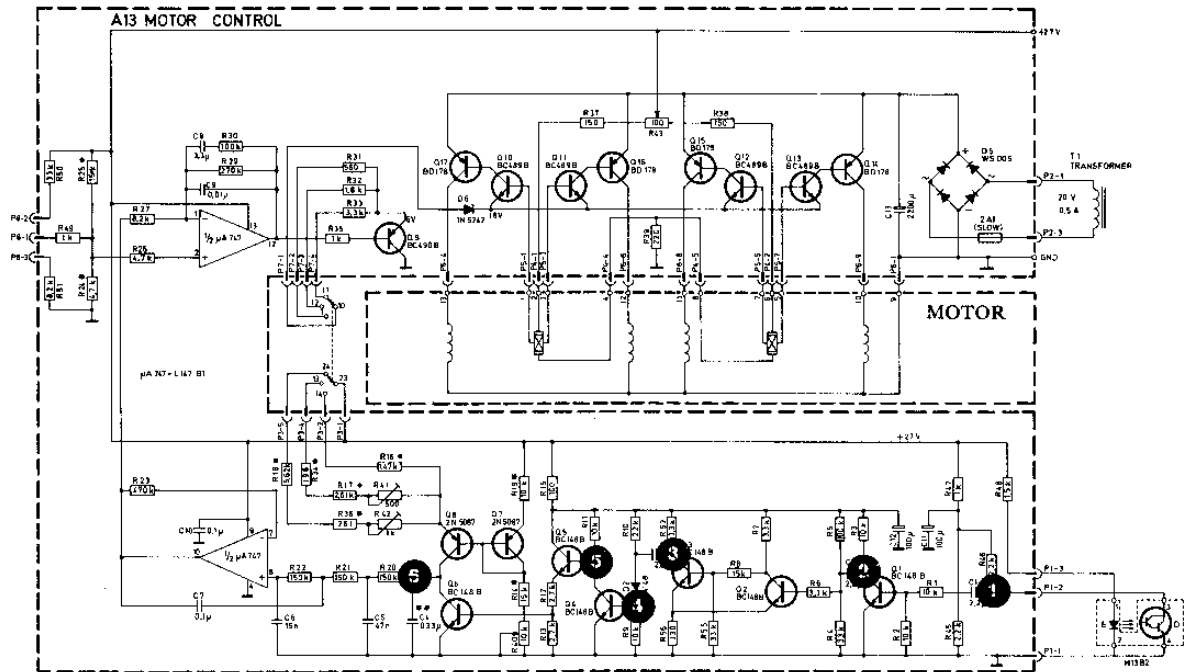


Fig. 7.5 The basic circuit diagram of the motor

The positive pulses (graph 5) on the base of Q6 ensure that Q6 goes into saturation (turns hard on) to discharge C4. This causes the collector of Q6 to deliver sawtooth pulses (see graph 6). These sawtooth pulses are applied to the input, pin 6, of μ A747 via R20-R21 and R22. This half of the I.C. circuit is a low pass filter which converts the pulses to d.c. The output, pin 10, is normally about 6 V d.c. This output is connected to the input, pin 1, of the other half of the I.C. circuit. The other input, pin 2, has a stable 6 V d.c. applied to it.



SPEED 7½ ips.

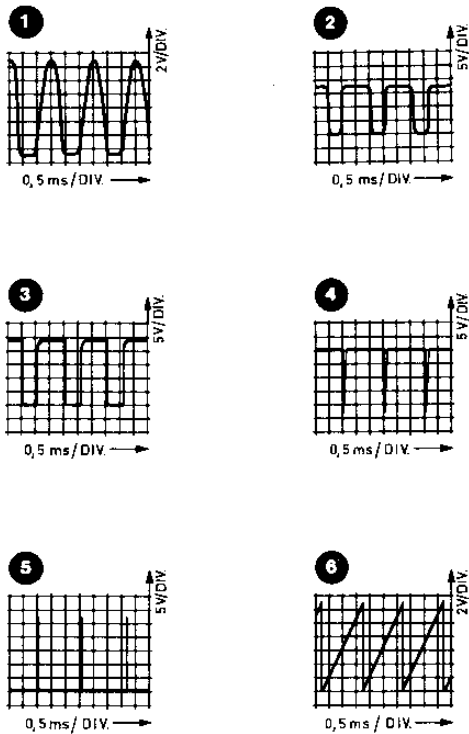


Fig. 7.6 Motor control with graphs
Modifications on page 31

This part of the I.C. circuit is a comparator that compares the two input voltages and amplifies the difference 30 times. The difference voltage is applied to the base of Q9 which controls the current supplied to the motor.

The resistors connected to the emitter of Q9 have the task of ensuring that the same degree of stability is maintained for all speeds.

The charging and discharging of C4 controls the speed of the motor. When the motor speed drops, C4 is charged to a higher value before it is discharged and the peak value of the sawtooth pulses increases (graph 6). This in turn increases the average value of the output voltage of the low pass filter at pin 10. The input, pin 1, to the Comparator receives a higher voltage and the output, pin 12, delivers a low voltage to the emitter follower Q9. Q9 delivers more current to the motor circuit which brings the motor speed back to normal.

ADJUSTING THE SPEED

Start adjusting the speed in 15 ips.

R40 can be used to adjust the 15 ips speed. It provides a stable voltage to the base of Q8 and current to C4.

R41 can be used to adjust the 7½ ips speed and R42 can be used to adjust the 3¼ ips speed.

7.2 OSCILLATOR

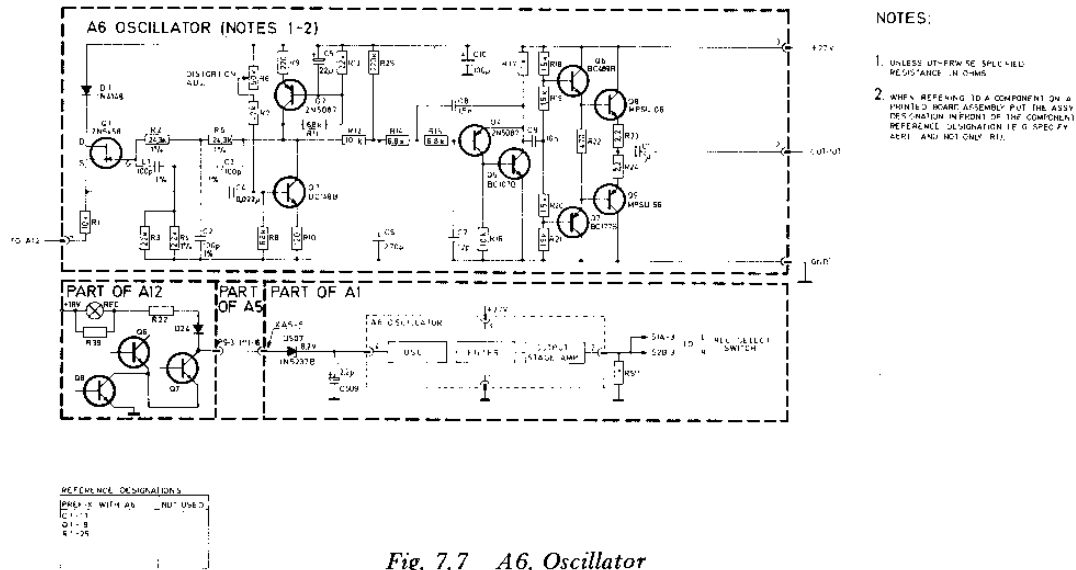


Fig. 7.7 A6. Oscillator

The oscillator is designed as a feedback amplifier. A T-filter consisting of R2-R3-R4 and R5 in connection with C1-C2 and C3 is built in to the feedback loop. The oscillator frequency is determined by the T-filter. At 122 kHz the T-filter provides maximum attenuation and 180° phase shift. The attenuation in the filter is about 25 dB. When the amplification in Q3 is greater than 25 dB the amplifier will start to oscillate. The components in the T-filter have 1% tolerance except R3 which has 5%.

The oscillator starts when the logic board causes point 4 to be grounded. So that the input to Q3 will not load the T-filter Q1 is employed as a source follower (high impedance input).

Q2 forms a part of the collector resistor for Q3 and ensures that the working voltage is stable.

The oscillator generates a peak-clipped sine wave and the amplitude is determined by the H.T. which is stabilized. Since it is not desirable to apply a peak-clipped sine wave to the heads, an active filter Q4-Q5 cleans up the waveform so that only a pure sine wave form is applied to the heads.

The output is a push-pull current amplifier that delivers sufficient current to the heads for erasure and bias.

NOTE! R6 is adjusted at the factory for minimum 2nd harmonic distortion and should normally not be touched. If the signal/tape noise ratio deteriorates after components in the oscillator have been changed, a final adjustment of R6 is permissible.

7.3 CHECKING THE RECORD RESPONSE CURVE

Connect a 10 ohm resistor as shown in Figure 7.8. Connect the signal generator to the LINE IN terminals and the high impedance voltmeter in parallel with the 10 ohm resistor.

Short-circuit the base of Q8 (logic board) to stop the oscillator. Set the machine into the RECORD mode.

Set the LINE INPUT LEVEL controls to 3-4. Turn up the level of the signal generator to get 0 dB on the tape recorder level meter. Adjust the LINE INPUT LEVEL controls to reduce the level 10 dB below 0 dB on the level meter.

Turn the signal generator down a further 20 dB making the tape recorder level 30 dB below 0 dB.

Set the frequency of the signal generator to 400 Hz and use this as the reference frequency. Check that the frequency response curve agrees with the curve shown in Figure 7.9 or Figure 7.10 whichever is appropriate.

Remove the short-circuit on Q8.

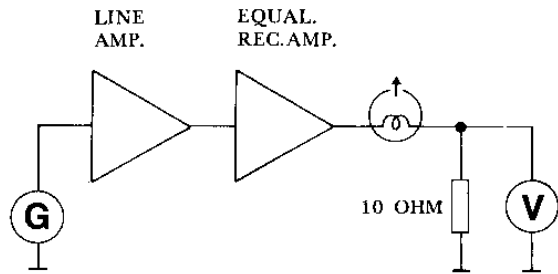


Fig. 7.8 Checking the record curve

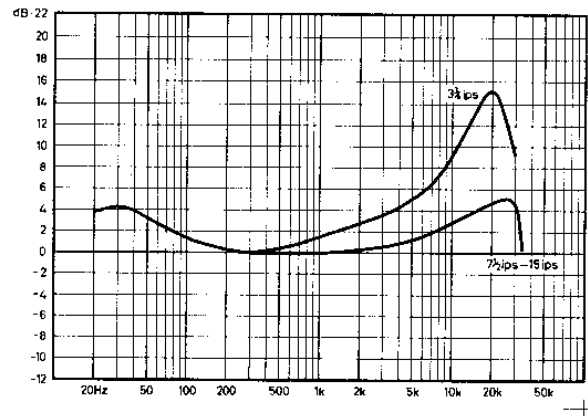


Fig. 7.9 IEC record curve

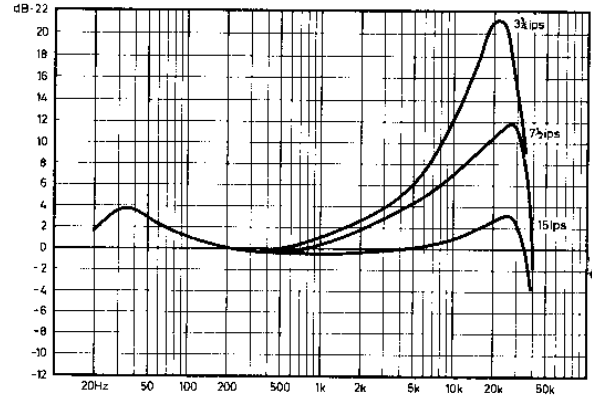


Fig. 7.10 NAB record curve

7.4 CHECKING THE PLAYBACK RESPONSE CURVE

Checking with a test tape

Connect a high impedance voltmeter to the LINE OUT terminals. Play back test tape No. 3 for NAB correction, or test tape No. 26 (7 ips) and test tape No. 27 (15 ips) for IEC correction. See the adjustment table on page 18.

Checking with a high impedance voltmeter and signal generator

Connect the voltmeter to the LINE OUT terminals and connect the signal generator as shown in Figure 7.11.

Tune the signal generator to 1000 Hz, and adjust its output to 0.5 V measured across the LINE OUT terminals with the OUTPUT LEVEL controls at max. Check that the frequency response curve agrees with the curve shown in Figure 7.12 or Figure 7.13 as appropriate.

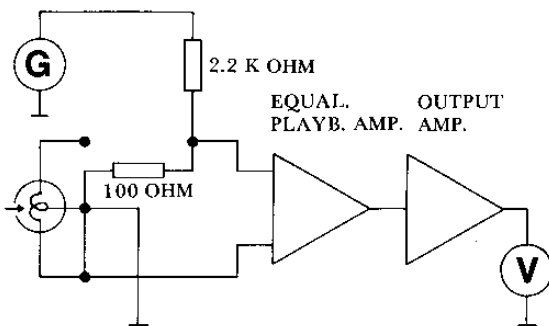


Fig. 7.11 Checking the playback curve

NOTE! Two pot. meters are introduced on the Main Board A1 from serial No. 2372550. See page 33 for adjustments.

Modifications on page 31.

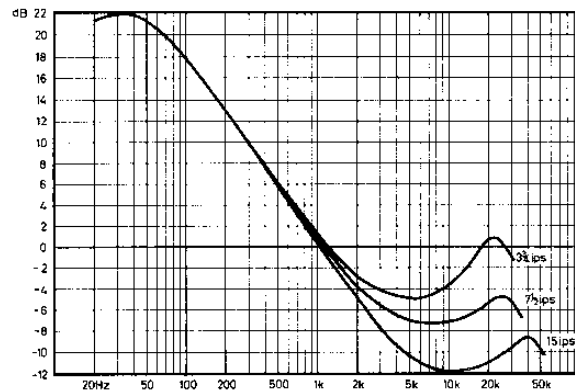


Fig. 7.12 IEC playback curve

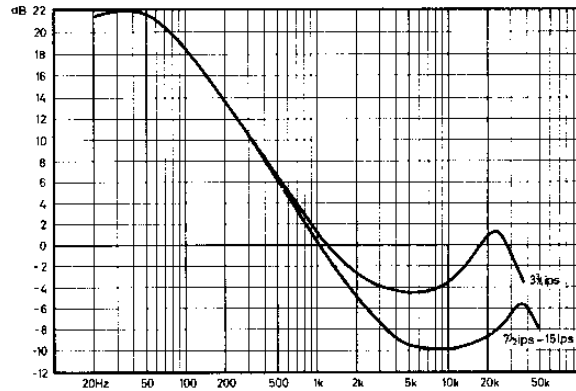


Fig. 7.13 NAB playback curve

7.5 CHANGING FROM NAB CORRECTION TO IEC CORRECTION, 2-TRACK

Record amplifier A7

Component	Value	Changed to:
R7/107	2,7 k ohm	Removes
R8/108	680 ohm	Removes
R10/110	1 k ohm	1.2 k ohm
R11/111	220 ohm	Replace with strap
R13/113	10 k ohm	800 ohm
R21/121	2,7 k ohm	Replace with strap
C4/104	0,1 uF	Removes
C8/108	0.33 μ F	0.47 μ F
D1/101	IN4148	Removes

Table 1

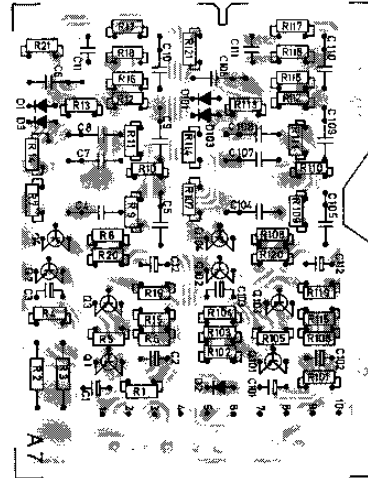
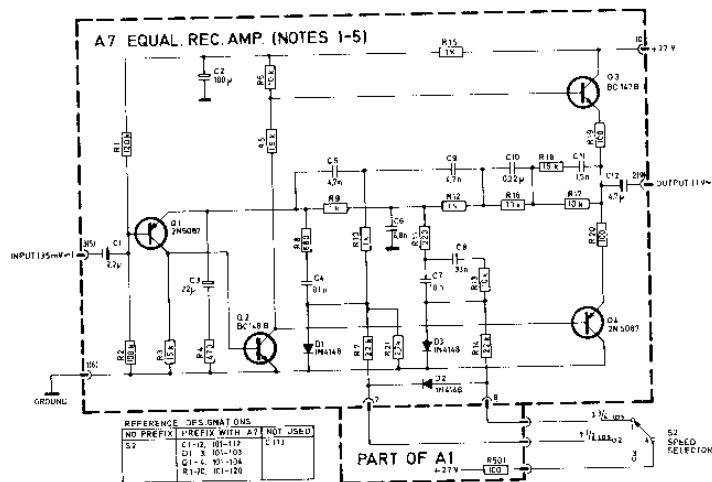


Fig. 7.13 Equal record amp. board



NOTES

- UNLESS OTHERWISE SPECIFIED RESISTANCE IN OHMS
- WHEN REFERRING TO A COMPONENT ON A PRINTED BOARD ASSEMBLY PUT THE ASSY DESIGNATION IN FRONT OF THE COMPONENT REFERENCE DESIGNATION (E.G. SPECIFY A7R1 AND NOT ONLY R1)
- ONLY THE L-CHANNEL OF THE ASSEMBLY DESIGNATED A7 IS SHOWN
- PLUG TERMINAL NOS FOR THE R-CHANNEL ARE GIVEN IN BRACKETS BESIDE THE L-CHANNEL PLUG TERMINAL NOS
- L-CHANNEL HAS 1 B8 AND R-CHANNEL HAS 102-109 AS COMPONENT NOS WHEN REFERRING TO R-CHANNEL COMPONENTS ADD 102 TO THE L-CHANNEL NOS (E.G. R17 OF THE L-CHANNEL HAS THE SAME VALUE AS R17D OF THE R-CHANNEL)

Fig. 7.14 A7, equal record amplifier NAB

Modifications on page 31.

Playback amplifier A11

Component	Value	Changed to:
R10/110	10 k ohm	4,7 k ohm
R11/111	390 k ohm	270 k ohm
R12/112	15 k ohm	5,6 k ohm
R13/113	15 k ohm	5,6 k ohm
R14/114	2,7 M ohm	1,8 M ohm
R15/115	12 k ohm	6,8 k ohm
R16/116	8,2 k ohm	2,7 k ohm
R18/118		2,7 k ohm, new
R19/119		10 k ohm, new
C6/106	220 pF	470 pF
C7/107	220 pF	470 pF
C8/108	470 pF	1000 pF
C12/112	1000 pF	1500 pF
C14/114		3300 pF, new
D4/104		IN4148, new
D5/105		IN4148, new

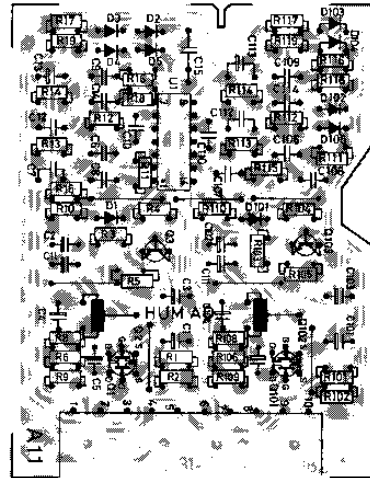
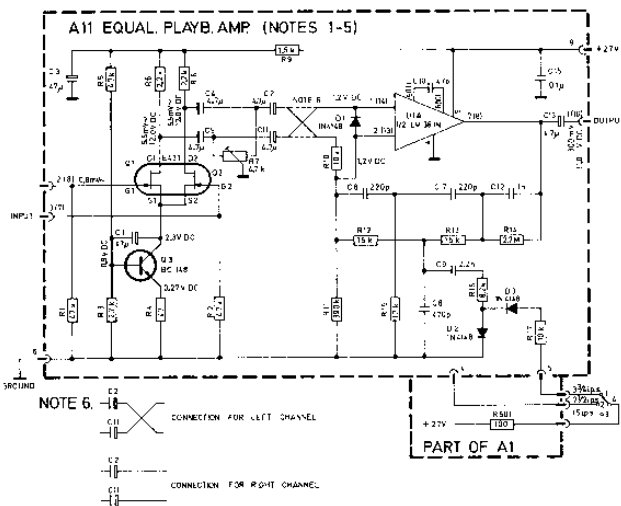


Fig. 7.15 Equal playback amp. board

Table 2



NOTES:

1. UNLESS OTHERWISE SPECIFIED RESISTANCE IN OHMS
2. WHEN REFERRING TO A COMPONENT ON A PRINTED BOARD ASSEMBLY PUT THE ASSY DESIGNATION IN FRONT OF THE COMPONENT REFERENCE DESIGNATION (E.G. SPECIFY R10 AND NOT ONLY R1)
3. BOTH CHANNELS OF THE ASSEMBLY IDENTIFIED A11 IS SHOWN SEE NOTE 6
4. PLUG TERMINAL NOS. FOR THE L-CHANNEL ARE GIVEN IN BRACKETS BEHIND THE L-CHANNEL PLUG TERMINAL NOS. COMPONENT NOS. WHEN REFERRING TO R-CHANNEL COMPONENTS, ADD 10 TO THE L-CHANNEL NOS. (E.G. R17 OF THE L-CHANNEL HAS THE CORP. VALUE AS R107 IN THE R-CHANNEL.)

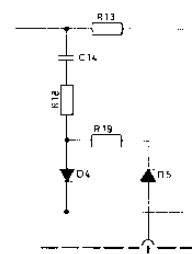


Fig. 7.16 A11, equal playback amplifier NAB

Modifications on page 31.

8. ELECTRICAL ADJUSTMENTS

8.1 PULL-IN TIME FOR ARMATURES AND STARTING VOLTAGE FOR THE REEL MOTORS

When the machine is in the STOP mode and the PLAY button is pressed the reel motors receive extra voltage at the moment of starting to prevent tape loops forming. (Remember to depress the 10½" REEL button when 10½" reels are in use). The duration of this extra voltage can be adjusted by means of pot. R36 on the logic board. R36 should be adjusted so that the pull-in time is about 250 ms. This delay can be checked on U26-9 with the aid of an oscilloscope.

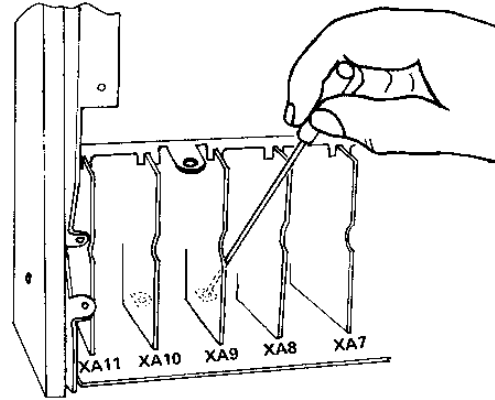


Fig. 8.0 Adjustment of R11**

Test No.	Adjustment or check	Test tape No.	Set the deck to	Measuring instrument	Measure at:	Adjust	Correct reading	Speed	Dolby* switch	Comments
1.1	Hum adj. playback	-	Playback	a.c. voltmeters	LINE OUT	R7 - R107	Minimum hum	15"	OFF	To be performed without tape. Put a piece of paper between the light source and the photo-transistor. OUTPUT LEVEL to maximum and adjust to minimum hum. Then readjust the Dolby playback level.
1.2	Playback-head, azimuth	2	Playback	a.c. voltmeters	LINE OUT	Azimuth screw	Maximum output	7½"	OFF	Maximum output or best compromise.
1.3	Playback curve, N.A.B. or DIN 1911	3	Playback	a.c. voltmeters	LINE OUT	-	+ 4 dB - 2.5 dB	7½"	OFF	Playback curve, N.A.B. The tape contains the following frequencies: 250 Hz (reference), 10 kHz, 5 kHz, 1000 Hz, 50 Hz, 250 Hz (ref.). Playback curve, DIN 1911. The tape contains the following frequencies: 1000 Hz (reference) 18 kHz, 15 kHz, 10 kHz, 4 kHz, 125 Hz, 40 Hz, 1000 Hz (ref.).
1.4	Dolby playback level	25	Playback	a.c. voltmeter	See comments	PLAYBACK LEVEL R31 - R131	580 mV	7½"	OFF	Measure on pin 3, contact XA9 (L) and contact XA10 (R) on the main board. Check that the output (LINE OUT) are within + 0.5 dB.
1.5	Speed	11	Playback	Frequency counter	LINE OUT	R40 - 15" R41 - 7½" R42 - 3¾"	+ 0.3% 997 - 1003 Hz in 7½"	All	OFF	Test-tape No. 11 are recorded at 1000 Hz in 7½". Start in 15". Adjust R40 to correct speed. Then adjust R41 in 7½" and R42 in 3¾". R40/R41/R42 are on the motor control board.
1.6	Bias pre-adjustment	-	Record	a.c. voltmeter	See comments	Bias adj. R44 - R144	Approx. 22 V	7½"	OFF	To be performed without tape. Measure across the bias head or on pin 2 (L) and pin 3 (R) on contact P11 on the main board.

Adjustment table 1

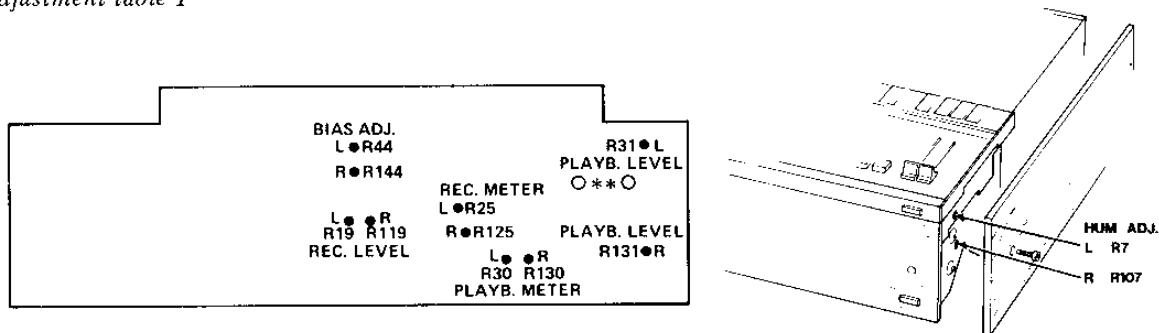


Fig. 8.1 Location of adjustment points

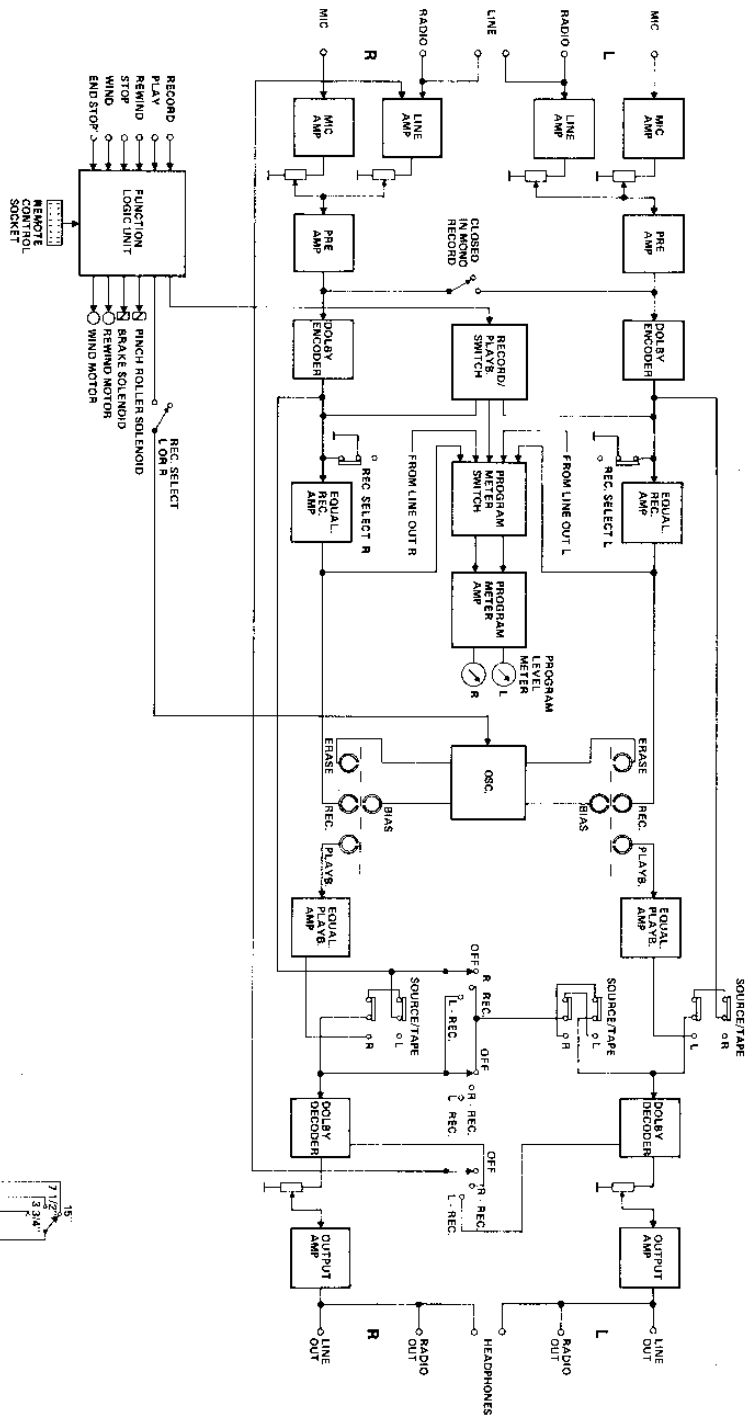
* The word Dolby is a Trade Mark of Dolby Laboratories Inc.

** On later machines a hole will be drilled in the main board A1 to permit R11 to be adjusted (see Figure 8.1).

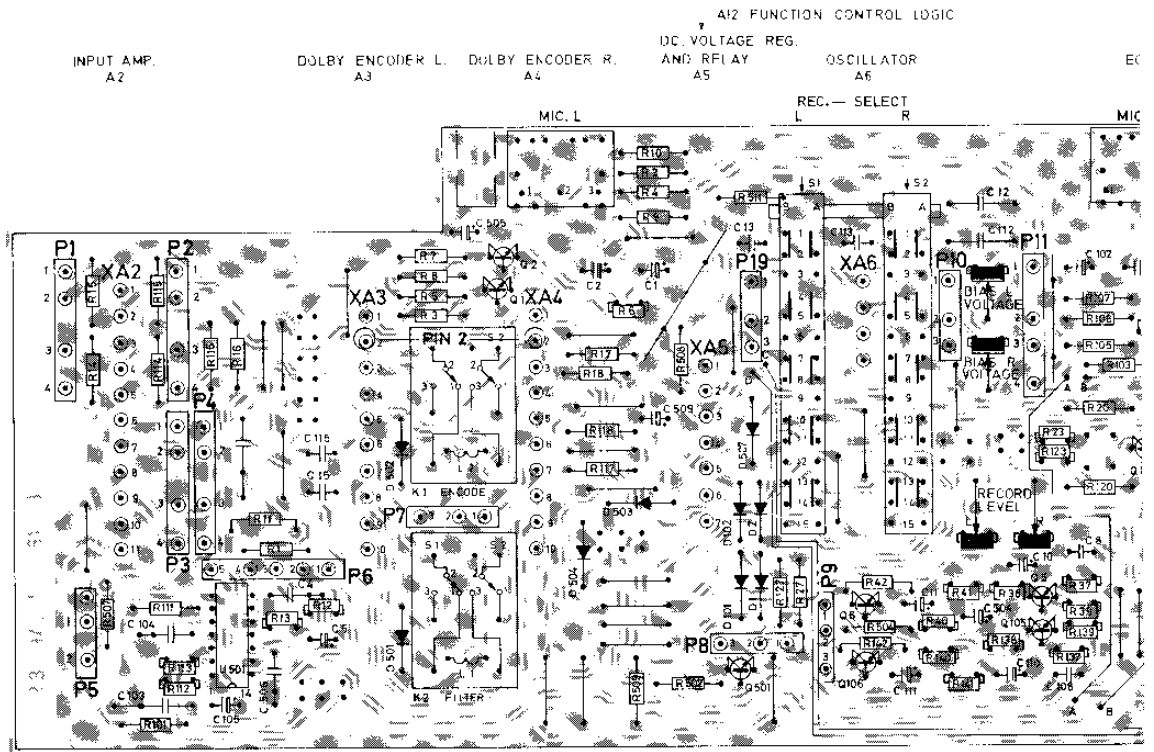
Test Adjustment No. or check	Measuring instrument	Measure at:	Dolby* switch	SOURCE/TAPE buttons	Set the deck to	Procedure												
2.1 Bias head horizontal adjustment	a.c. voltmeters	LINE OUT	OFF	TAPE	RECORD 7½"	Connect an audio-generator to LINE IN. Set the generator to 1000 Hz and adjust with the LINE INPUT LEVEL to approx. 0.5 V on the voltmeters. Turn the 2 mm Allen screw clockwise and the head moves to the left. Then turn the screw counter clockwise to maximum reading on the voltmeters. Use the first maximum when the head moves from the left to the right side.												
2.2 Azimuth, record head	a.c. voltmeters	LINE OUT	OFF	TAPE	RECORD 3¾"	Connect an audio-generator to LINE IN. Start stereo recording 18,000 Hz in 3¾" approx. - 20 dB below normal recording level, 0 dB. Then turn the azimuth screw to maximum or best compromise on the LINE OUT.												
2.3 Record/playback curves	a.c. voltmeters	LINE OUT	OFF/NORM	TAPE	RECORD all speeds	<p>Connect an audio-generator to LINE IN. Start recording in 3¾" of a 1000 Hz signal 30 dB below normal recording level (0 dB). Use the voltmeter readings as reference level. Then record a 18,000 Hz signal at the same level and check that the output is within ± 2 dB. If the output is too high, increase bias current with R44 (L) and R144 (R). If the output is too low, alter the signal frequency to 1000 Hz and adjust for maximum output with R44 (L) and R144 (R). Then establish a reference level, and re-check the output at 18,000 Hz. When the tolerance at 18,000 Hz has been met, check that the output level not deviate more than ± 2 dB from the following frequencies:</p> <table border="0"> <tr> <td>15"</td> <td>+ 2 dB</td> <td>30-25,000 Hz *</td> </tr> <tr> <td>7½"</td> <td>± 2 dB</td> <td>30-22,000 Hz</td> </tr> <tr> <td>3¾"</td> <td>± 2 dB</td> <td>40-18,000 Hz</td> </tr> </table> <p>When you switch the Dolby knob from OFF to NORM, check that the output level not deviate more than ± 3 dB.</p>	15"	+ 2 dB	30-25,000 Hz *	7½"	± 2 dB	30-22,000 Hz	3¾"	± 2 dB	40-18,000 Hz			
15"	+ 2 dB	30-25,000 Hz *																
7½"	± 2 dB	30-22,000 Hz																
3¾"	± 2 dB	40-18,000 Hz																
2.4 Dolby SOURCE level	a.c. voltmeter	See procedure	OFF	SOURCE	RECORD 7½"	Connect an audio-generator, 1000 Hz to LINE IN. Set the deck to stereo record in SOURCE. Adjust with the LINE INPUT LEVEL to 580 mV on pin 2 on Dolby encoder XA3 and XA4. Then check for 580 mV ± 0.5 dB at pin 3 on Dolby decoder XA9 and XA10. Re-adjust R11 on Dolby decoder XA9 and XA10 if necessary. If R11 is outside the tolerance, re-adjust the Dolby playback level. See Fig. 8.0.												
2.5 SOURCE/TAPE	a.c. voltmeters		OFF	SOURCE/TAPE	RECORD 7½"	Connect an audio-generator, 1000 Hz. to LINE IN. Set the deck to SOURCE. Adjust with the LINE INPUT LEVEL to 580 mV on pin 3 on Dolby decoder XA9 and XA10. Set the deck to TAPE. Adjust RECORD LEVEL R19 (L) and R119 (R) so that the level reading is 1 dB higher when using Maxell UD35 tape (or equivalent), if not adjust to same reading on Dolby decoder.												
2.6 Record METER adjustment	a.c. voltmeter	-	OFF	SOURCE	RECORD 7½"	Audio-generator 1000 Hz to LINE IN. Set the deck to SOURCE. Adjust with the LINE INPUT LEVEL to 1.15 V at pin 2 on the Dolby encoder XA3 - XA4. Then adjust the record meters to 0 dB with R25 (L) and R125 (R).												
2.7 Playback METER adjustment	a.c. voltmeter		OFF	SOURCE	PLAY 7½"	Audio-generator 1000 Hz to LINE IN. Adjust with the LINE INPUT LEVELS to the same output as in adjustment 2.6. Then adjust the playback METERS to 0 dB with R30 (L) and R130 (R).												
2.8 Distortion	Distortion meter	LINE OUT	OFF	TAPE	RECORD 7½"	Connect an audio-generator (or distortion meter generator) 1000 Hz. to LINE IN. Record to 0 dB indication on the meters, and read the distortion on the LINE OUT. Maximum distortion is 2%.												
2.9 Wow and flutter	Wow and flutter meter	LINE OUT	OFF	TAPE	RECORD 7½"	<p>Connect the wow-and-flutter-meter generator to the LINE IN. Read on the LINE OUT and in all speeds. If necessary, adjust R43 (on the motor control board) to minimum wow and flutter in 3¾".</p> <table border="0"> <tr> <td>Wow and flutter max:</td> <td>15"</td> <td>7½"</td> <td>3¾"</td> </tr> <tr> <td>Peak, DIN 45511</td> <td>0.07%</td> <td>0.09%</td> <td>0.15%</td> </tr> <tr> <td>Weighted R.M.S.</td> <td>0.04%</td> <td>0.06%</td> <td>0.11%</td> </tr> </table>	Wow and flutter max:	15"	7½"	3¾"	Peak, DIN 45511	0.07%	0.09%	0.15%	Weighted R.M.S.	0.04%	0.06%	0.11%
Wow and flutter max:	15"	7½"	3¾"															
Peak, DIN 45511	0.07%	0.09%	0.15%															
Weighted R.M.S.	0.04%	0.06%	0.11%															

Adjustment table 2

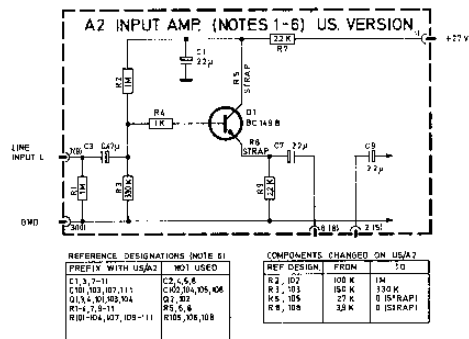
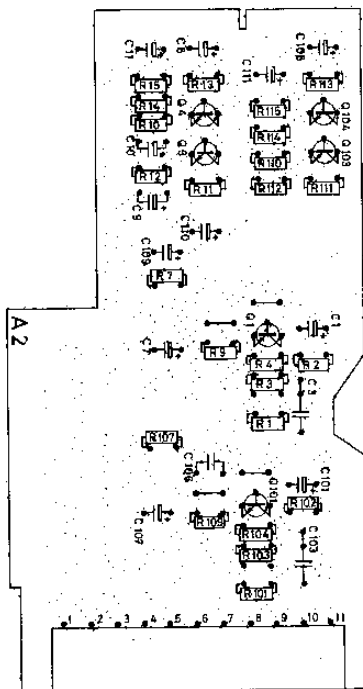
* Use tape with 15 μ magnetic coating when adjusting the record-playback curve in 15 ips. If tape with 10 μ magnetic coating are used, the higher frequencies in the record/playback curve will raise approx. 2 dB.



BLOCK DIAGRAM



A1 MAIN BOARD



A2 INPUT AMP. BOARD, US VERSION

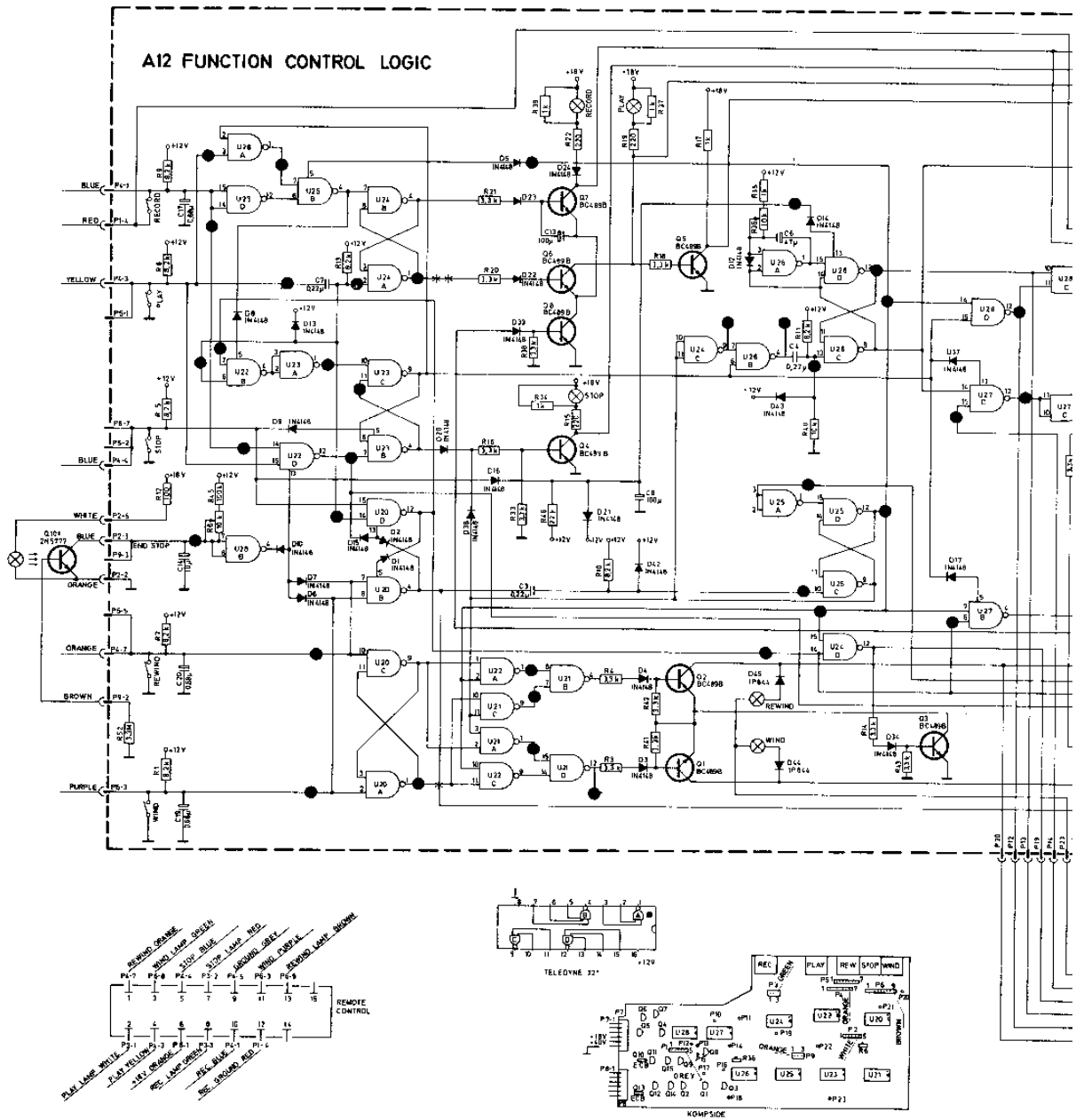
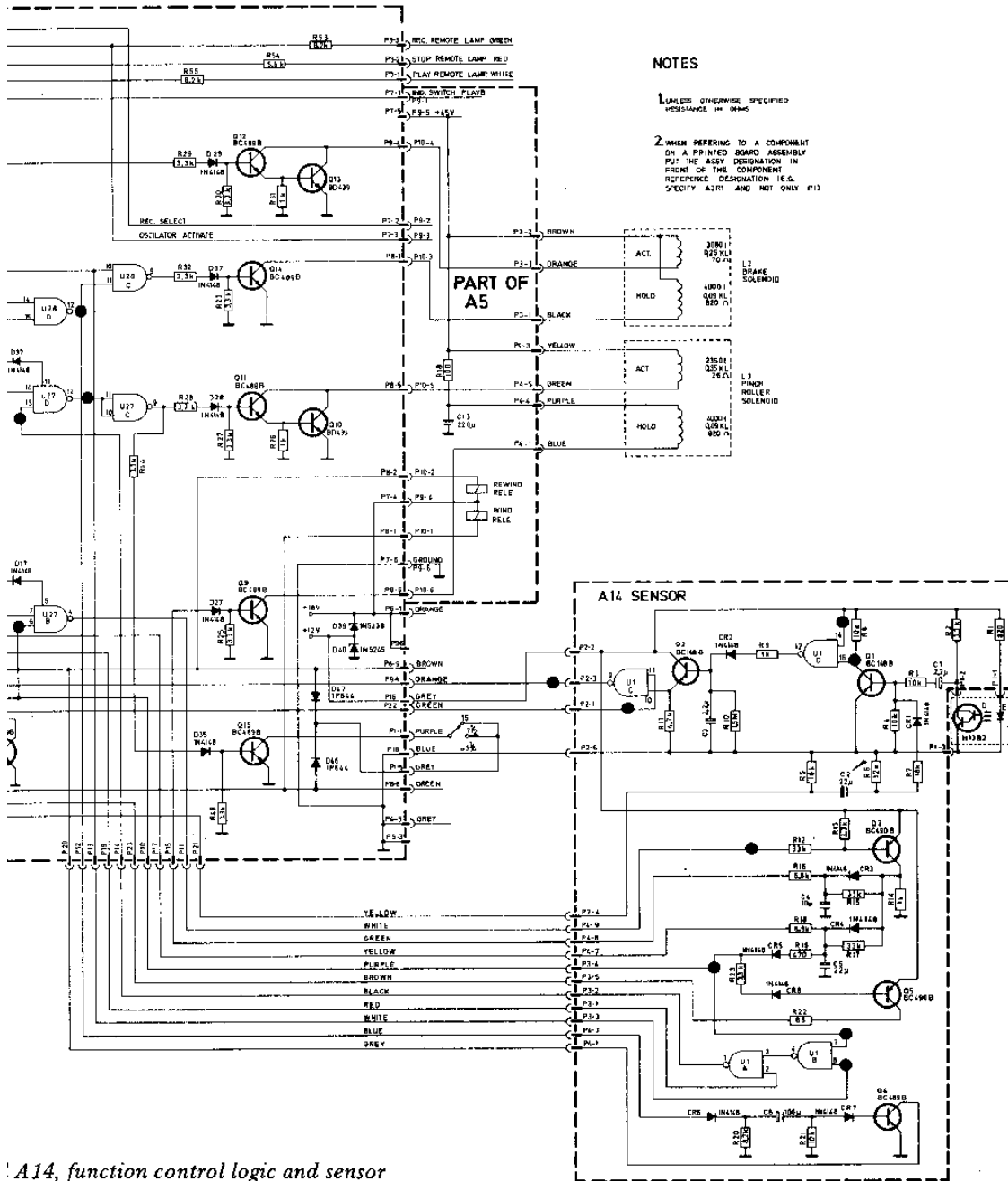


Fig. 8.2 A12 and A14, function

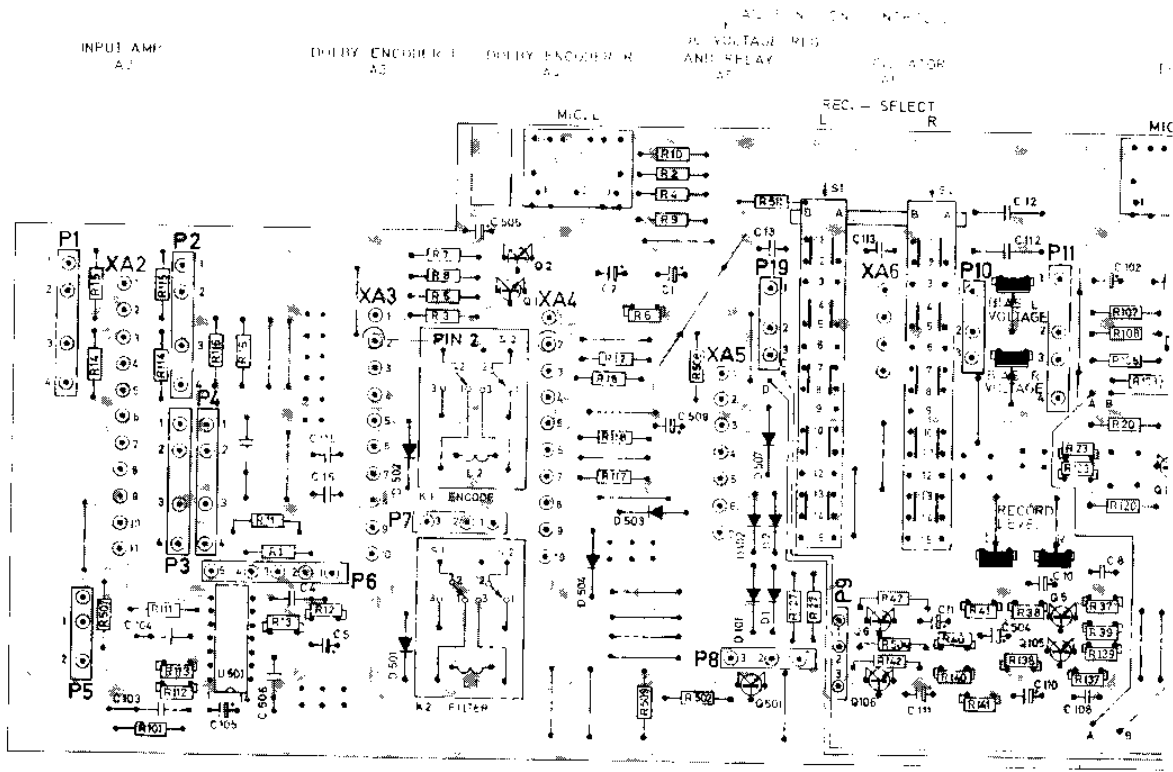
Red dots indicate high level in STOP.

* STOP from WIND

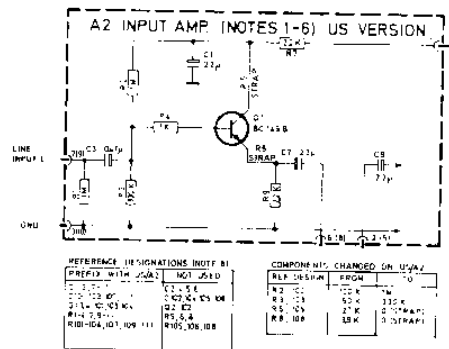
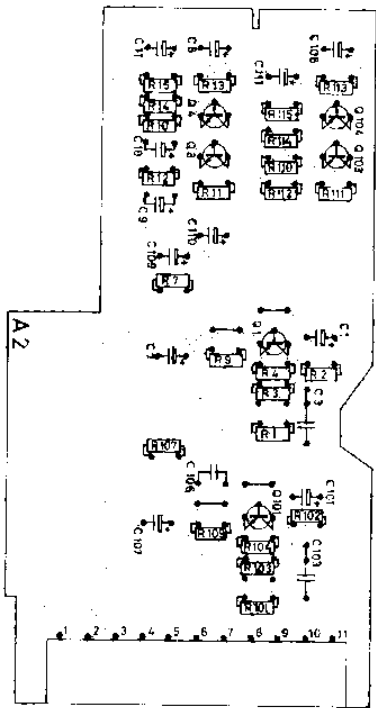
** STOP from PLAY



A14, function control logic and sensor



A1 MAIN BOARD



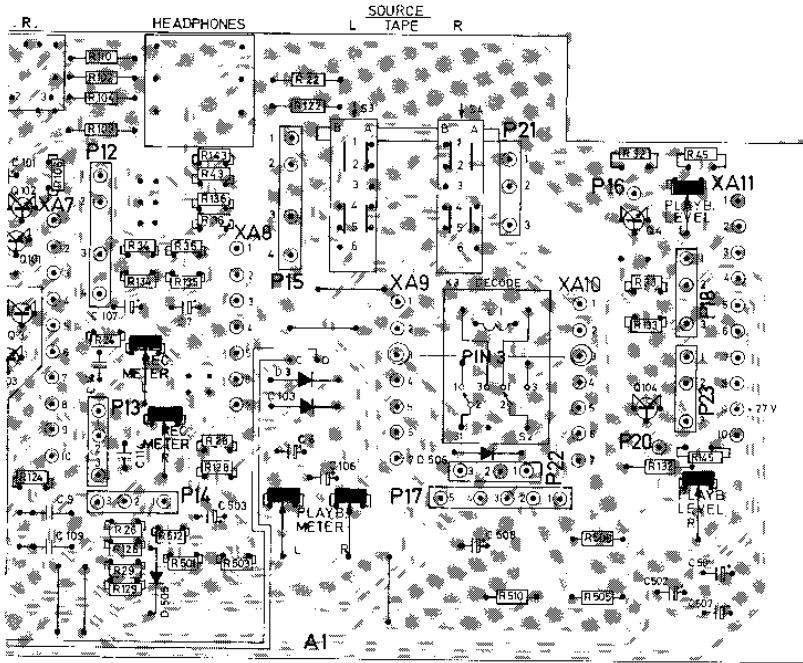
REFERENCE DESIGNATIONS SHOWN IN THIS DRAWING

REF. DESIGN.	NOT USED
R1, R2, R3, R4, R5, R6, R7, R8, R9, R10, R11, R12, R13, R14, R15, R16, R17, R18, R19, R20	
C1, C2, C3, C4, C5, C6, C7, C8, C9, C10, C11, C12	
U1, U2, U3, U4, U5, U6, U7, U8, U9, U10, U11, U12, U13, U14, U15, U16, U17, U18, U19, U20, U21, U22, U23, U24, U25, U26, U27, U28, U29, U30, U31, U32, U33, U34, U35, U36, U37, U38, U39, U40, U41, U42, U43, U44, U45, U46, U47, U48, U49, U50, U51, U52, U53, U54, U55, U56, U57, U58, U59, U60, U61, U62, U63, U64, U65, U66, U67, U68, U69, U70, U71, U72, U73, U74, U75, U76, U77, U78, U79, U80, U81, U82, U83, U84, U85, U86, U87, U88, U89, U90, U91, U92, U93, U94, U95, U96, U97, U98, U99, U100	

COMPONENT	CHANGED ON USA 2
R1, R2, R3, R4, R5, R6, R7, R8, R9, R10, R11, R12, R13, R14, R15, R16, R17, R18, R19, R20	20K
C1, C2, C3, C4, C5, C6, C7, C8, C9, C10, C11, C12	100K
U1, U2, U3, U4, U5, U6, U7, U8, U9, U10, U11, U12, U13, U14, U15, U16, U17, U18, U19, U20, U21, U22, U23, U24, U25, U26, U27, U28, U29, U30, U31, U32, U33, U34, U35, U36, U37, U38, U39, U40, U41, U42, U43, U44, U45, U46, U47, U48, U49, U50, U51, U52, U53, U54, U55, U56, U57, U58, U59, U60, U61, U62, U63, U64, U65, U66, U67, U68, U69, U70, U71, U72, U73, U74, U75, U76, U77, U78, U79, U80, U81, U82, U83, U84, U85, U86, U87, U88, U89, U90, U91, U92, U93, U94, U95, U96, U97, U98, U99, U100	20K

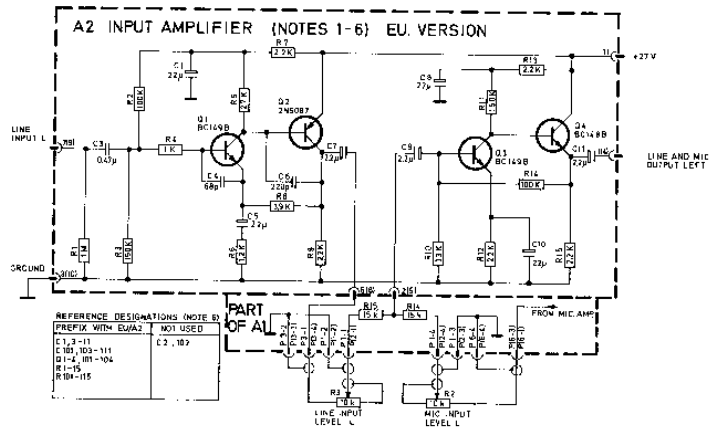
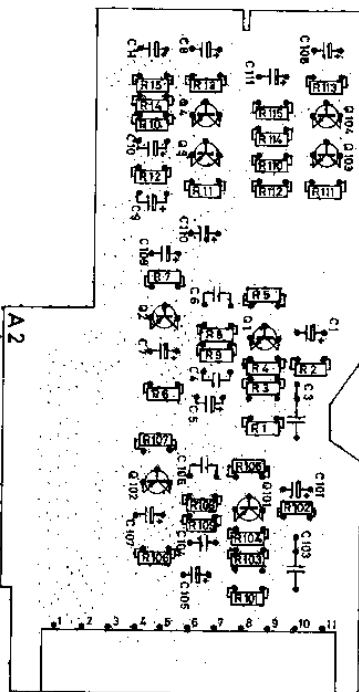
A2 INPUT AMP. BOARD, US VERSION

DUAL REC. AMP. A7 OUTPUT AMP. A8 DOLBY DECODER A9 DOLBY DECODER A10 EQUAL. PLAYB. AMP. A11



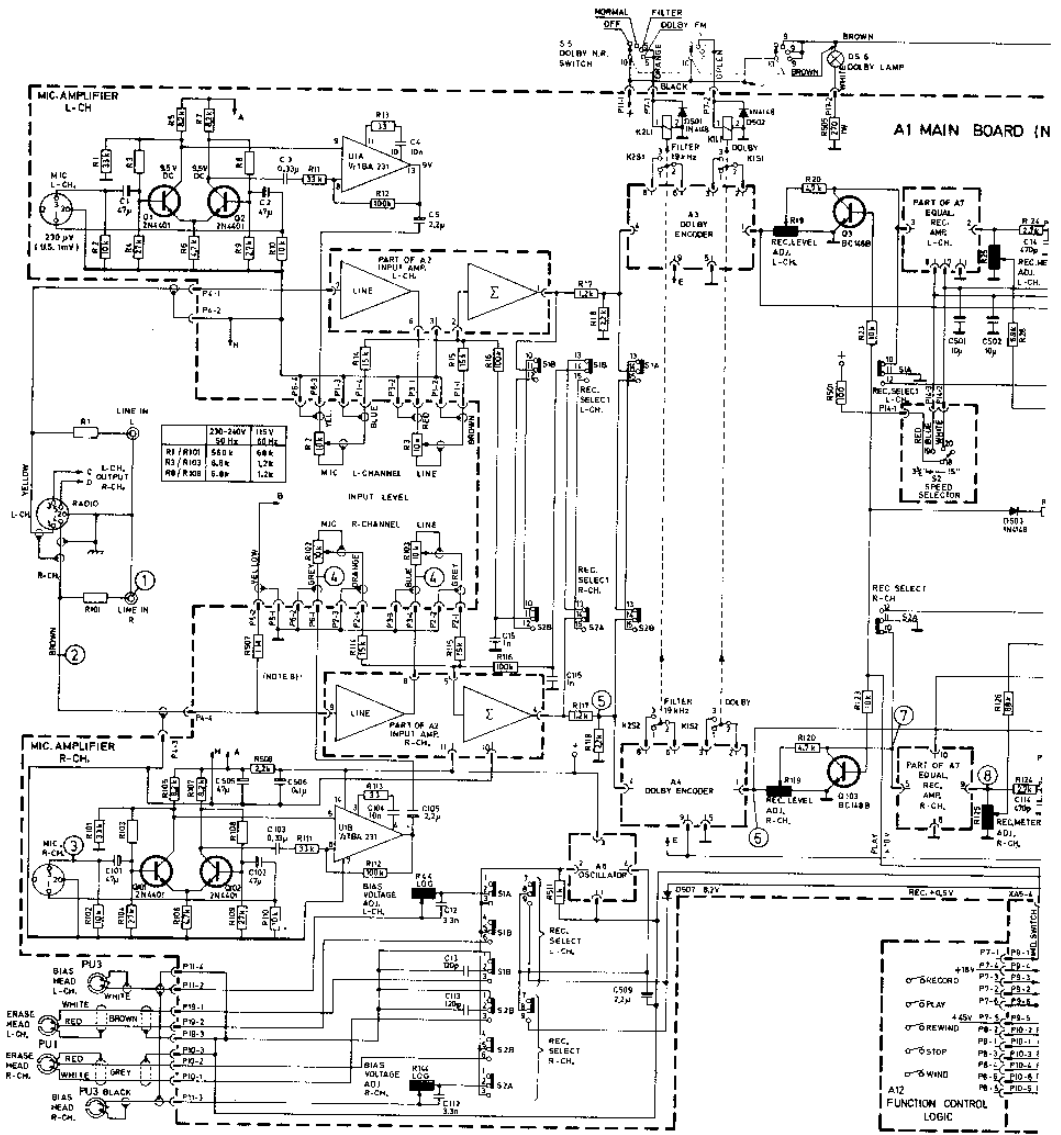
NOTES

- UNLESS OTHERWISE SPECIFIED RESISTANCE IN OHMS.
- WHEN REFERRING TO A COMPONENT ON A PRINTED BOARD ASSEMBLY USE THE ASSY DESIGNATION IN FRONT OF THE COMPONENT REFERENCE DESIGNATION (I.E. SPECIFY P24 AND NOT ONLY R2).
- ONLY THE L-COMMUTATOR OF THE ASSEMBLY DESIGNATED A2 IS SHOWN.
- PLUG TERMINAL NO. 3 FOR THE R-COMMUTATOR GIVEN IN BRACKETS BEHIND THE L-COMMUTATOR TERMINAL NOS.
- L-COMMUTATOR HAS 1-99 AND R-COMMUTATOR HAS 100-999 AS COMPONENT NOS. WHEN REFERRING TO R-COMMUTATOR COMPONENTS ADD 100 TO THE L-COMMUTATOR'S I.E. NO. IF THE L-COMMUTATOR HAS THE SAME VALUE AS 999 OF THE R-COMMUTATOR.
- ALWAYS SPECIFY WHICH VERSION OF THE INPUT AMPLIFIER, THE L3 OR THE EU MODEL, YOU ARE REFERRING TO, ESPECIALLY WHEN ORDERING COMPONENTS.



ALL THE BOARDS ARE SEEN FROM SOLDER SIDE

A2 INPUT AMP. BOARD, EUROPEAN VERSION



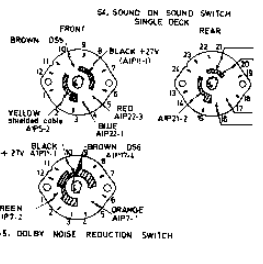
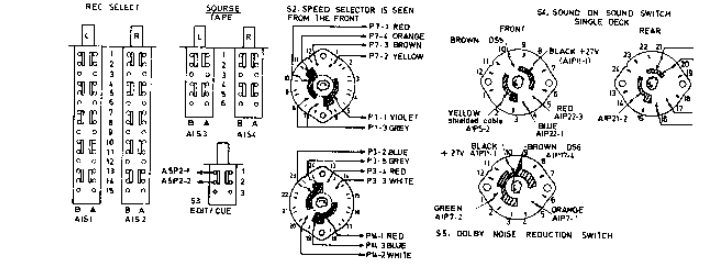
ALL THE SWITCHES ARE SEEN FROM SOLDER SIDE (NOTE 2 AND 3)

REFERENCE DESIGNATIONS

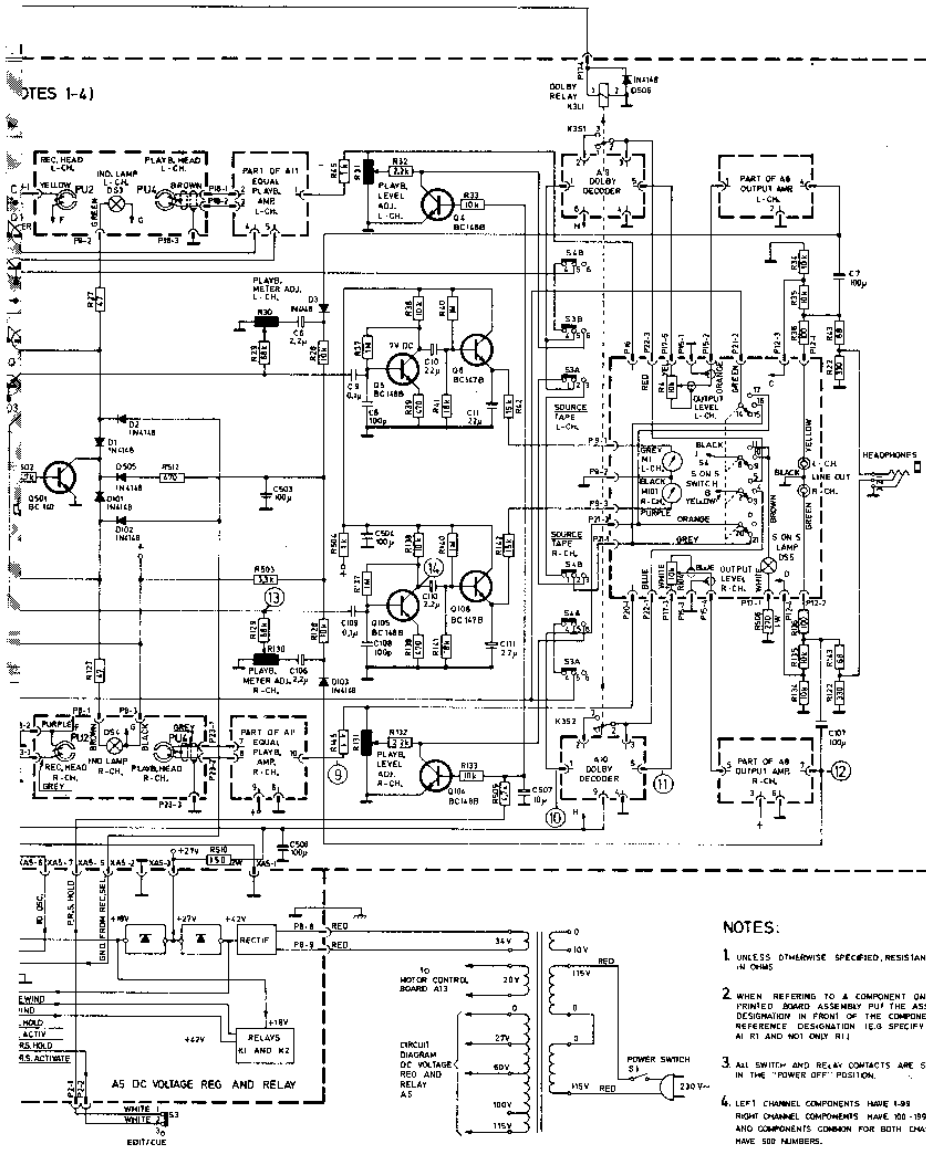
NO. PREFIX	PREFIX WITH A1	NET USED AT A1
C1-1	C1-1	0504
C1-2	C1-2	0504
C1-3	C1-3	0504
C1-4	C1-4	0504
C1-5	C1-5	0504
C1-6	C1-6	0504
C1-7	C1-7	0504
C1-8	C1-8	0504
C1-9	C1-9	0504
C1-10	C1-10	0504
C1-11	C1-11	0504
C1-12	C1-12	0504
C1-13	C1-13	0504
C1-14	C1-14	0504
C1-15	C1-15	0504
C1-16	C1-16	0504
C1-17	C1-17	0504
C1-18	C1-18	0504
C1-19	C1-19	0504
C1-20	C1-20	0504
C1-21	C1-21	0504
C1-22	C1-22	0504
C1-23	C1-23	0504
C1-24	C1-24	0504
C1-25	C1-25	0504
C1-26	C1-26	0504
C1-27	C1-27	0504
C1-28	C1-28	0504
C1-29	C1-29	0504
C1-30	C1-30	0504
C1-31	C1-31	0504
C1-32	C1-32	0504
C1-33	C1-33	0504
C1-34	C1-34	0504
C1-35	C1-35	0504
C1-36	C1-36	0504
C1-37	C1-37	0504
C1-38	C1-38	0504
C1-39	C1-39	0504
C1-40	C1-40	0504
C1-41	C1-41	0504
C1-42	C1-42	0504
C1-43	C1-43	0504
C1-44	C1-44	0504
C1-45	C1-45	0504
C1-46	C1-46	0504
C1-47	C1-47	0504
C1-48	C1-48	0504
C1-49	C1-49	0504
C1-50	C1-50	0504
C1-51	C1-51	0504
C1-52	C1-52	0504
C1-53	C1-53	0504
C1-54	C1-54	0504
C1-55	C1-55	0504
C1-56	C1-56	0504
C1-57	C1-57	0504
C1-58	C1-58	0504
C1-59	C1-59	0504
C1-60	C1-60	0504
C1-61	C1-61	0504
C1-62	C1-62	0504
C1-63	C1-63	0504
C1-64	C1-64	0504
C1-65	C1-65	0504
C1-66	C1-66	0504
C1-67	C1-67	0504
C1-68	C1-68	0504
C1-69	C1-69	0504
C1-70	C1-70	0504
C1-71	C1-71	0504
C1-72	C1-72	0504
C1-73	C1-73	0504
C1-74	C1-74	0504
C1-75	C1-75	0504
C1-76	C1-76	0504
C1-77	C1-77	0504
C1-78	C1-78	0504
C1-79	C1-79	0504
C1-80	C1-80	0504
C1-81	C1-81	0504
C1-82	C1-82	0504
C1-83	C1-83	0504
C1-84	C1-84	0504
C1-85	C1-85	0504
C1-86	C1-86	0504
C1-87	C1-87	0504
C1-88	C1-88	0504
C1-89	C1-89	0504
C1-90	C1-90	0504
C1-91	C1-91	0504
C1-92	C1-92	0504
C1-93	C1-93	0504
C1-94	C1-94	0504
C1-95	C1-95	0504
C1-96	C1-96	0504
C1-97	C1-97	0504
C1-98	C1-98	0504
C1-99	C1-99	0504
C1-100	C1-100	0504

COMPONENTS CHANGED

REF DESIGN	FROM	TO	DATE	E.C.O. NO	SERIAL NO
R.10	PCB	38A			



NOTES 1-4)



NOTES:

1. UNLESS OTHERWISE SPECIFIED, RESISTANCE IN OHMS
2. WHEN REFERRING TO A COMPONENT ON A PRINTED BOARD ASSEMBLY PUT THE ASSY DESIGNATION IN FRONT OF THE COMPONENT REFERENCE DESIGNATION (E.G. SPECIFY A1R1 AND NOT ONLY R1)
3. ALL SWITCH AND RELAY CONTACTS ARE SHOWN IN THE "POWER OFF" POSITION.
4. LEFT CHANNEL COMPONENTS HAVE 1-99 RIGHT CHANNEL COMPONENTS HAVE 100-199 AND COMPONENTS COMMON FOR BOTH CHANNELS HAVE 500 NUMBERS.

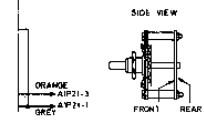
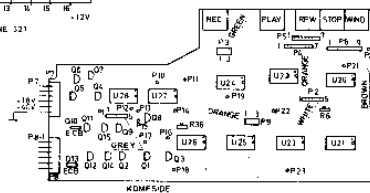
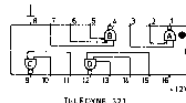
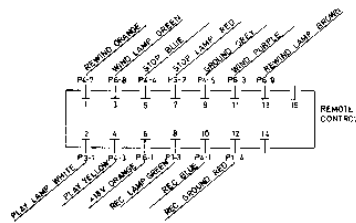
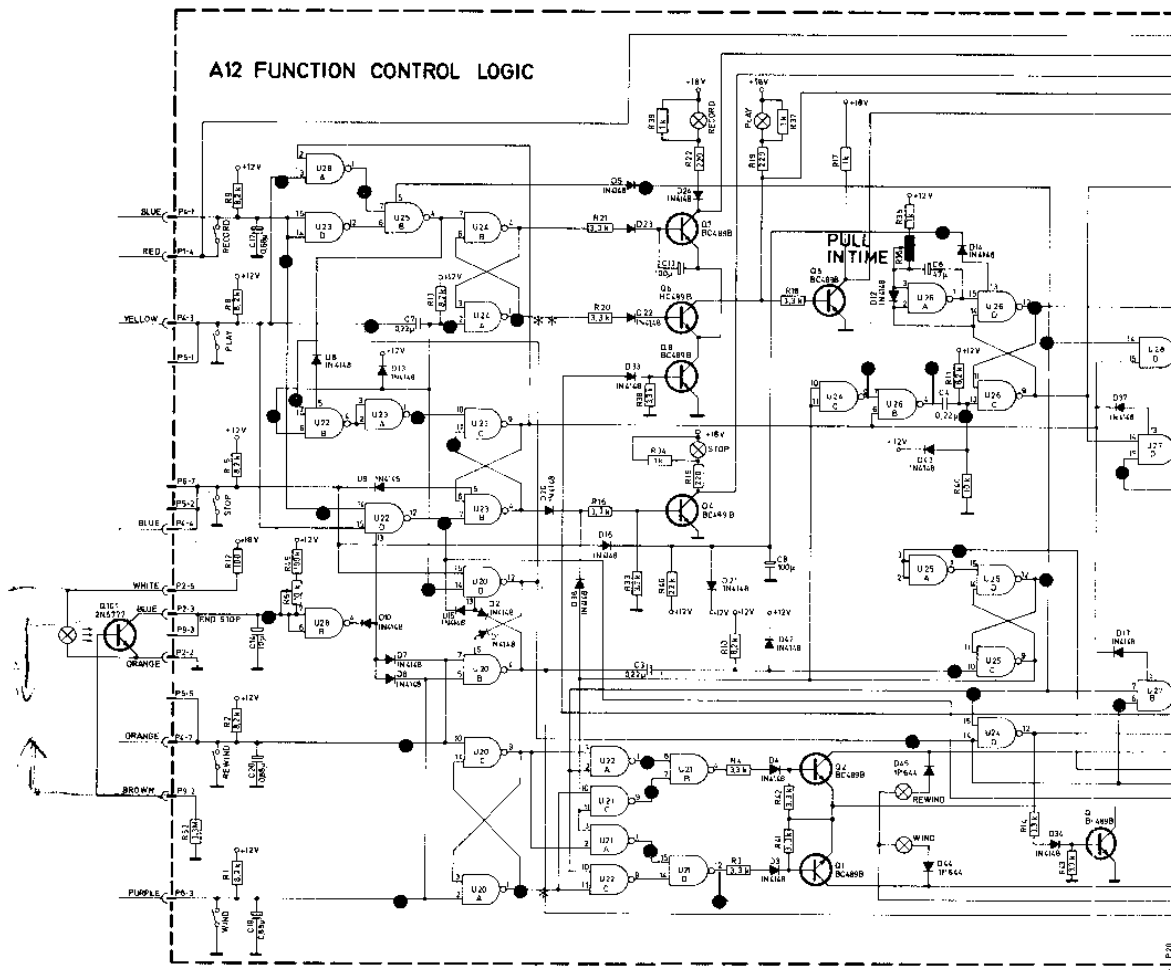


TABLE 1: SENSITIVITY OF AMPLIFIERS

L	R	SENSITIVITY AT 1000 Hz AND 20 V.P.P.A.
1	2	30mv AT THE LINE IN SOCKETS
3	4	230 μV (U.S. 1mV)
5	6	30 mv
7	8	100 mv
9	10	60 mv
11	12	15 mv
13	14	1.5 v
15	16	190 mv
17	18	80 mv
19	20	100 mv
21	22	15 v
23	24	180 mv
25	26	2 v

A1 MAIN BOARD CIRCUIT DIAGRAM

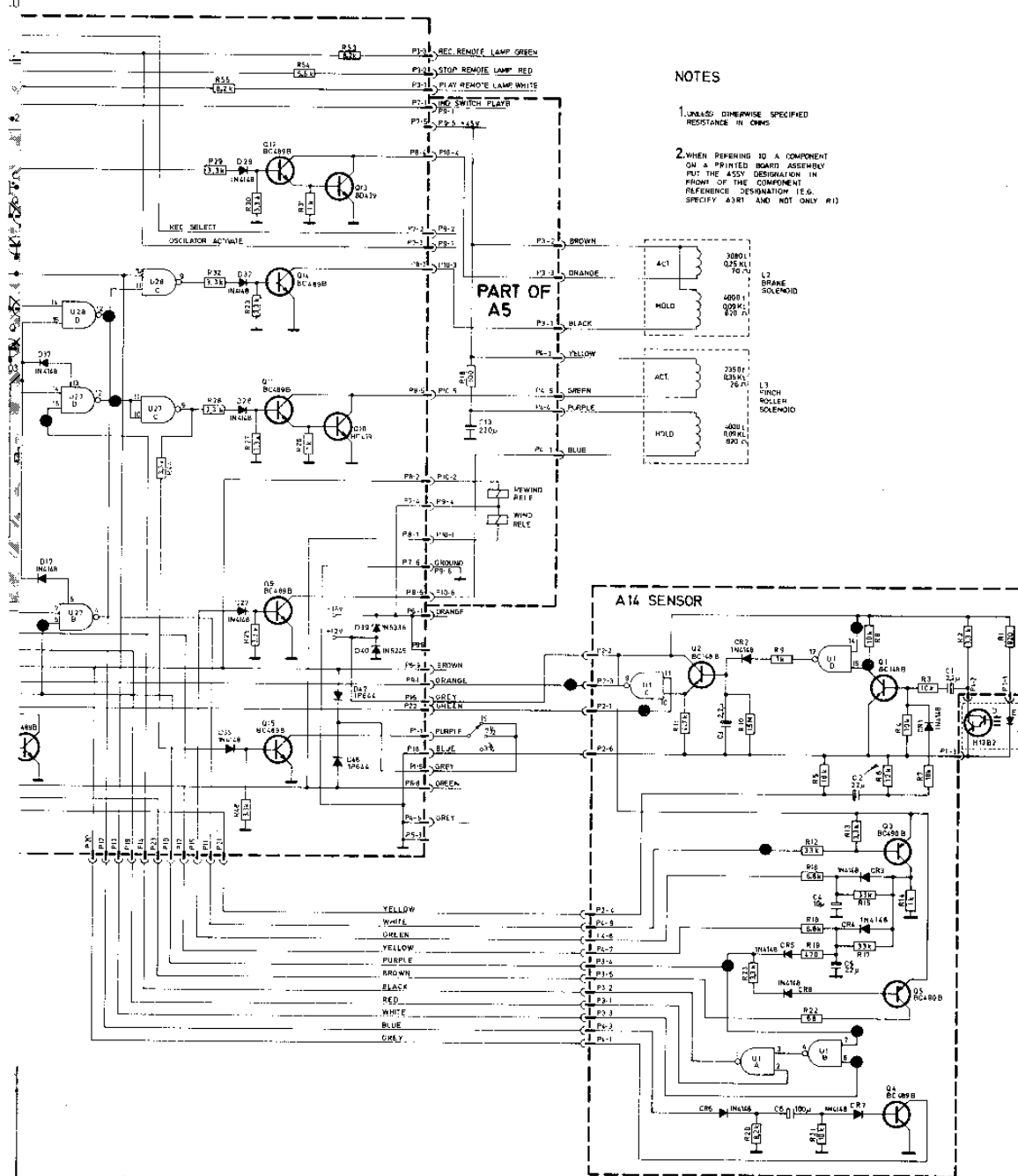


A12 FUNCTION CONTROL LOGIC

Red dots indicate high level in STOP.

* STOP from WIND

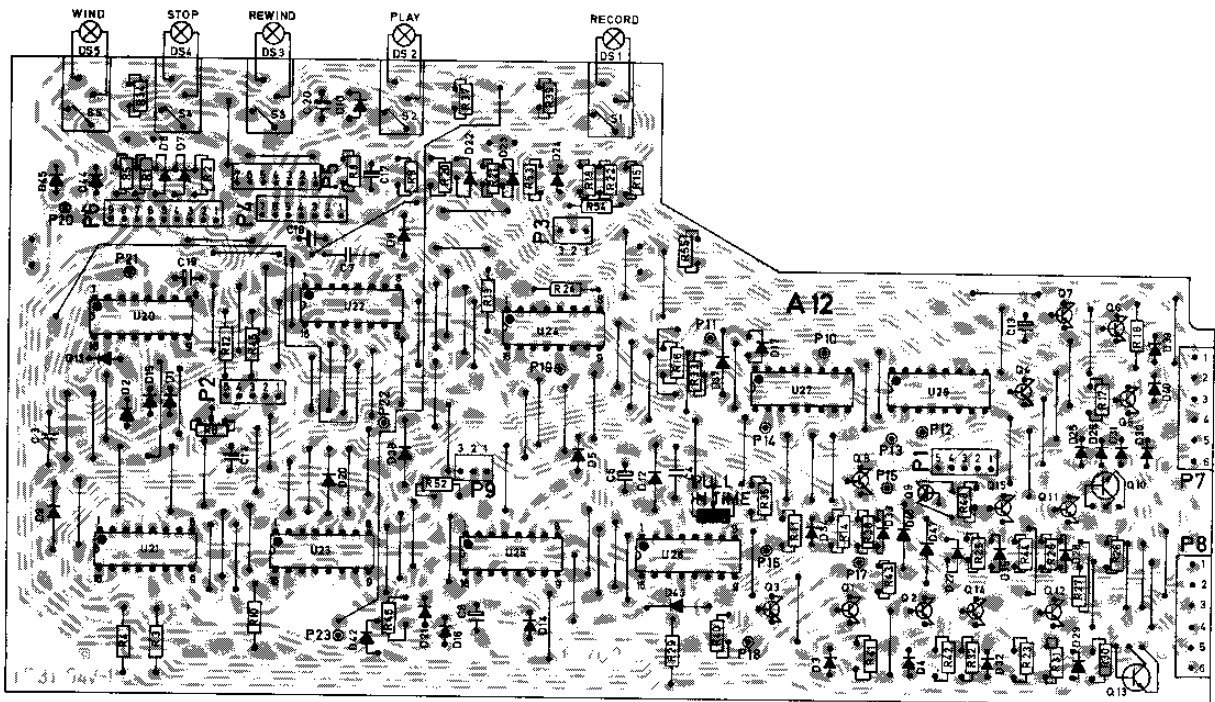
** STOP from PLAY



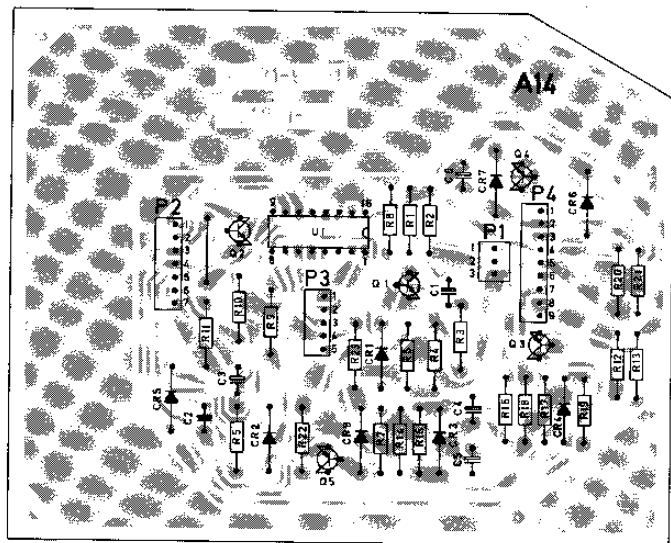
NOTES

1. UNLESS OTHERWISE SPECIFIED RESISTANCE IN OHMS
2. WHEN REFERING TO A COMPONENT ON A PRINTED BOARD ASSEMBLY PUT THE ASSY DESIGNATION IN FRONT OF THE COMPONENT REFERENCE DESIGNATION (E.G. SPECIFY A381 AND NOT ONLY #13)

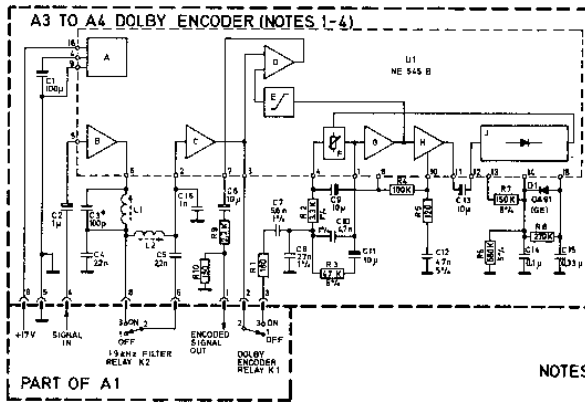
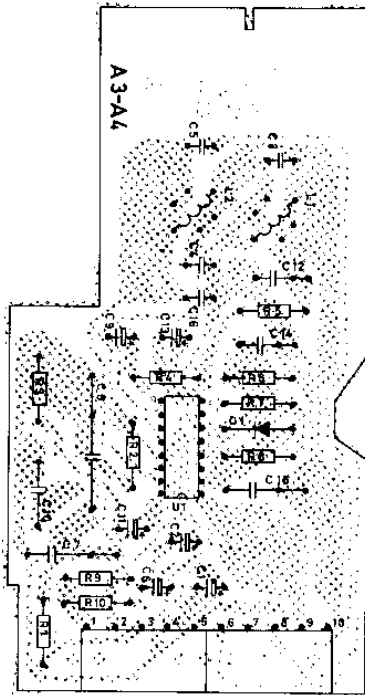
A14 SENSOR



A12 LOGIC BOARD



A14 SENSOR BOARD



REFERENCE DESIGNATIONS
 PREFIX WITH A3 OR A4 NOT USED

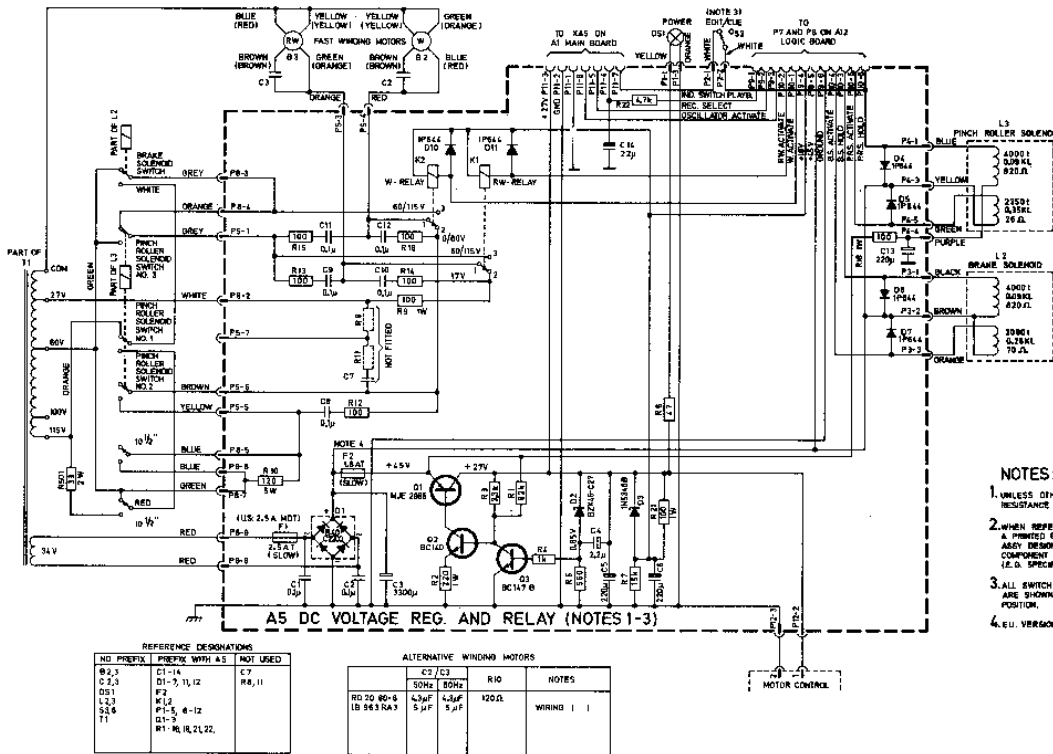
C1-15	
D1	
L1, 2	
R1-10	
U1	

*C3 - 33p ON 10X0

NOTES

- UNLESS OTHERWISE SPECIFIED RESISTANCE IN OHMS
- WHEN REFERRING TO A COMPONENT ON A PRINTED BOARD ASSEMBLY PUT THE ASSY DESIGNATION IN FRONT OF THE COMPONENT REFERENCE DESIGNATION (E.G. SPECIFY A3R1 AND NOT ONLY R1)
- ALL SWITCH AND RELAY CONTACTS ARE SHOWN IN THE "POWER OFF" POSITION
- A3 IS USED FOR THE L-CHANNEL, WHILE A4 IS USED FOR THE R CHANNEL, A3 IS INTERCHANGEABLE WITH A4

A3-A4 DOLBY ENCODER



REFERENCE DESIGNATIONS

NO PREFIX	REFERENCE WITH A5	NOT USED
B0, 3	C1-14	C7
C 2, 3	D1-7, 11, 12	R8, 11
D01	F2	
L 2, 3	M 1, 2	
S2, 4	P1-5, 8-12	
D1-3		
T1	R1-R6, 18, 21, 22	

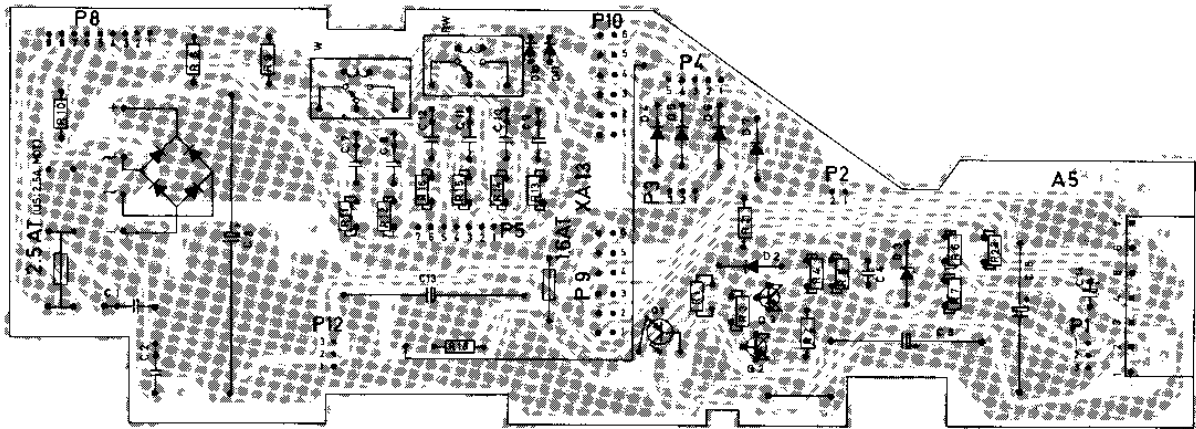
ALTERNATIVE WINDING MOTORS

RD 20 80-8 1B 963 RA 3	C2 50Hz 4.9uF	C3 50Hz 4.3uF	R10 120Ω	NOTES
				WIRING 1 1

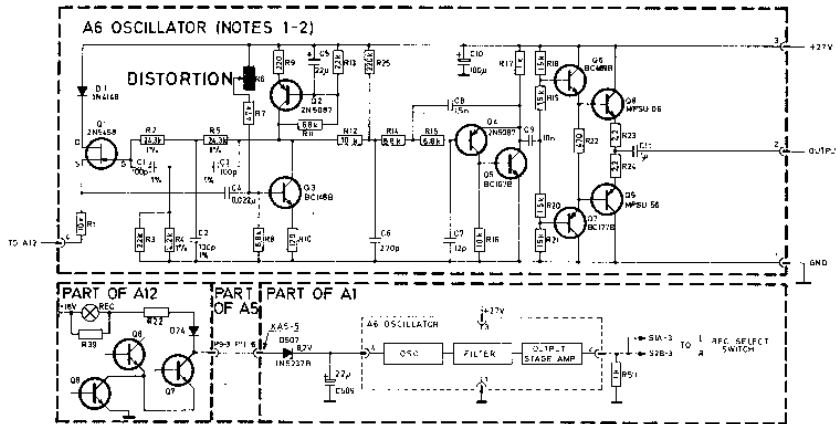
NOTES:

- UNLESS OTHERWISE SPECIFIED RESISTANCE IN OHMS
- WHEN REFERRING TO A COMPONENT ON A PRINTED BOARD ASSEMBLY PUT THE ASSY DESIGNATION IN FRONT OF THE COMPONENT REFERENCE DESIGNATION (E.G. SPECIFY A5R1, NOT ONLY R1)
- ALL SWITCH AND RELAY CONTACTS ARE SHOWN IN THE "POWER OFF" POSITION
- E.U. VERSION ONLY

A5 D.C. VOLTAGE REG. AND RELAY CIRCUIT



A5 D.C. VOLTAGE REG. AND RELAY BOARD

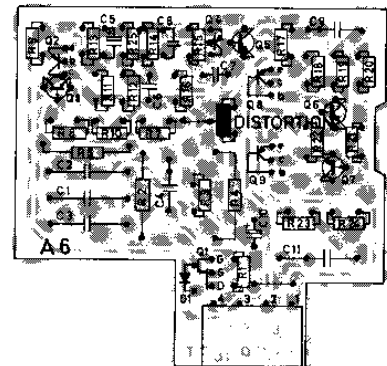


NOTES:

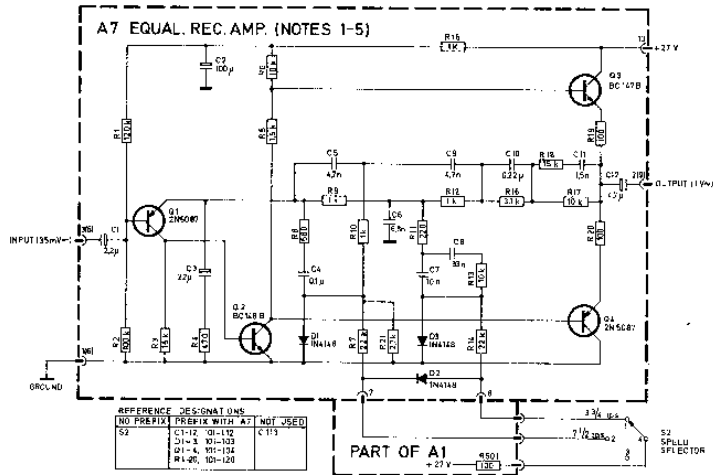
1. UNLESS OTHERWISE SPECIFIED RESISTANCE IN OHMS.
2. WHEN REFERRING TO A COMPONENT ON A PRINTED BOARD ASSEMBLY PUT THE ASSY. DESIGNATION IN FRONT OF THE COMPONENT REFERENCE DESIGNATION (E.G. SPECIFY 26A1 AND NOT ONLY 261).

REFERENCE DESIGNATIONS

PREFIX WITH A6	NOT USED
C1-13	
Q1-6	
R1-25	

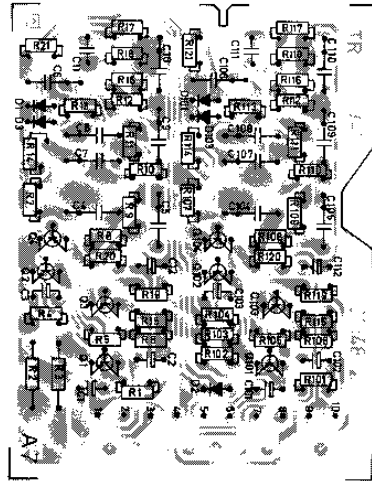


A6 OSCILLATOR

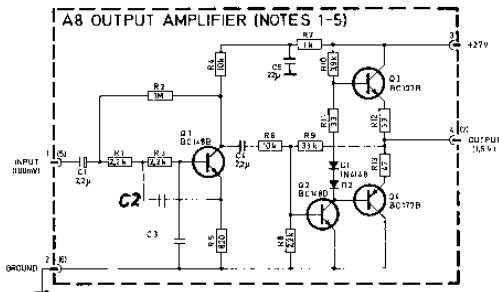


NOTES

- UNLESS OTHERWISE SPECIFIED RESISTANCE IN OHMS
- WHEN REFERRING TO A COMPONENT ON A PRINTED BOARD ASSEMBLY PUT THE ASSY DESIGNATION IN FRONT OF THE COMPONENT REFERENCE DESIGNATION (IF 0 SPECIFY A7R1 AND NOT ONLY R1)
- ONLY THE L-CHANNEL OF THE ASSEMBLY DESIGNATED A7 IS SHOWN
- PLUG TERMINAL NOS FOR THE R-CHANNEL ARE GIVEN IN BRACKETS BESIDE THE L-CHANNEL PLUG TERMINAL NOS.
- L-CHANNEL HAS 1 89 AND R-CHANNEL HAS 10-199 AS COMPONENT NOS. WHEN REFERRING TO R-CHANNEL COMPONENTS ADD 100 TO THE L-CHANNEL NOS (E.G. R17 OF THE L-CHANNEL HAS THE SAME VALUE AS R177 OF THE R-CHANNEL)



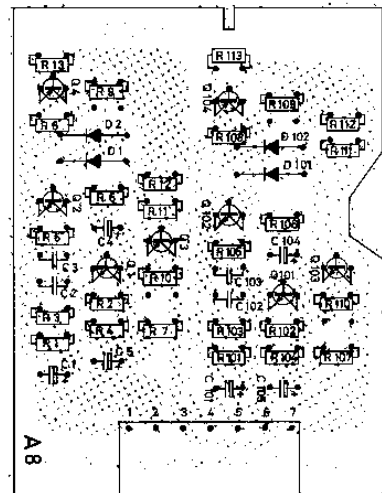
A7 EQUAL RECORD AMP.



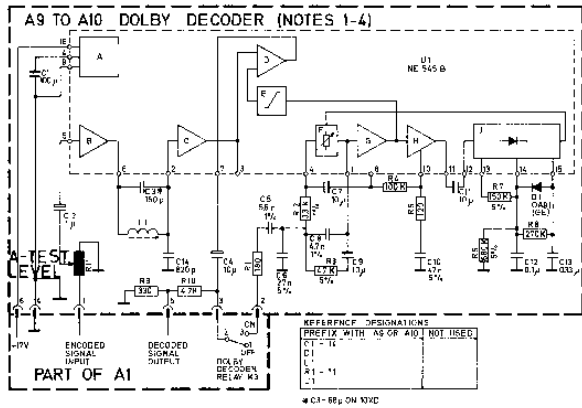
C2 3300pF
C3 1500pF

NOTES:

- UNLESS OTHERWISE SPECIFIED RESISTANCE IN OHMS
- WHEN REFERRING TO A COMPONENT ON A PRINTED BOARD ASSEMBLY PUT THE ASSY DESIGNATION IN FRONT OF THE COMPONENT REFERENCE DESIGNATION (IF 0 SPECIFY A8R1 AND NOT ONLY R1)
- ONLY THE L-CHANNEL OF THE ASSEMBLY DESIGNATED A8 IS SHOWN
- PLUG TERMINAL NOS FOR THE R-CHANNEL ARE GIVEN IN BRACKETS BESIDE THE L-CHANNEL PLUG TERMINAL NOS.
- L-CHANNEL HAS 1 89 AND R-CHANNEL HAS 10-199 AS COMPONENT NOS. WHEN REFERRING TO R-CHANNEL COMPONENTS ADD 100 TO THE L-CHANNEL NOS (E.G. R17 OF THE L-CHANNEL HAS THE SAME VALUE AS R177 OF THE R-CHANNEL)



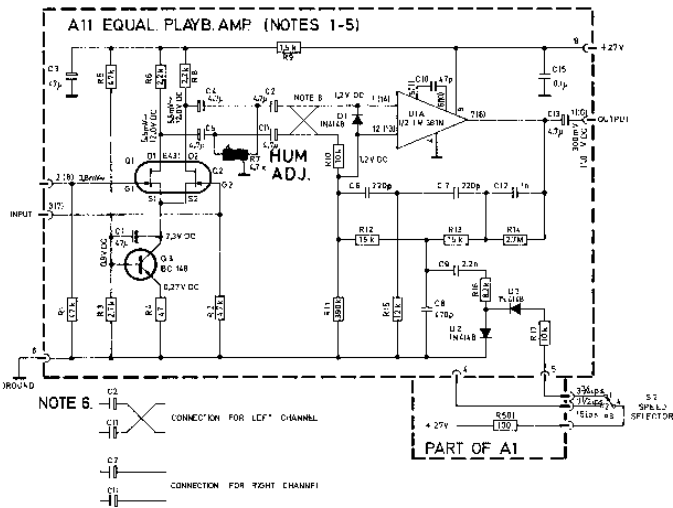
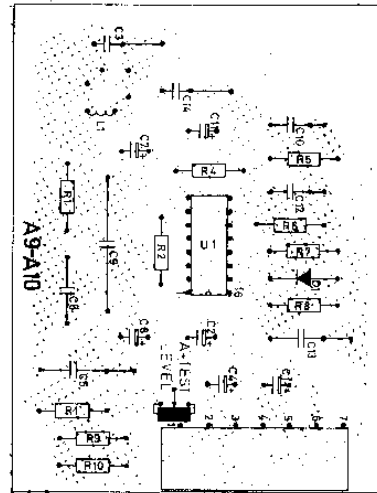
A8 OUTPUT AMP. BOARD



NOTES

- UNLESS OTHERWISE SPECIFIED RESISTANCE IN OHMS
- WHEN REFERRING TO A COMPONENT ON A PRINTED BOARD ASSEMBLY P.T. THE ASSY DESIGNATION IN FRONT OF THE COMPONENT REFERENCE DESIGNATION (E.G. SPECIFY A9R1 AND NOT ONLY R1)
- ALL SWITCH AND RELAY CONTACTS ARE SHOWN IN THE "POWER OFF" POSITION.
- A9 IS USED FOR THE LEFT CHANNEL WHILE A10 IS USED FOR THE RIGHT CHANNEL.

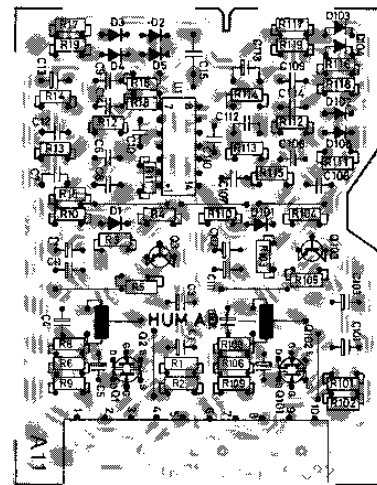
A9 TO A10 DOLBY DECODER

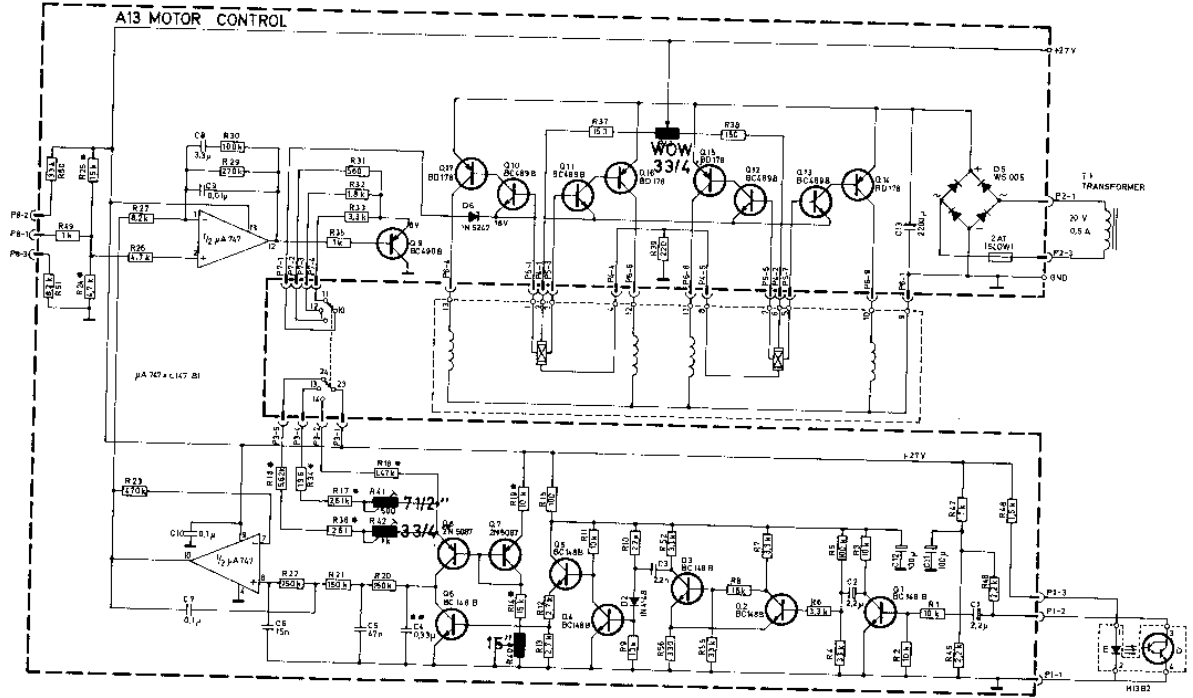


NOTES:

- UNLESS OTHERWISE SPECIFIED RESISTANCE IN OHMS
- WHEN REFERRING TO A COMPONENT ON A PRINTED BOARD ASSEMBLY P.T. THE ASSY DESIGNATION IN FRONT OF THE COMPONENT REFERENCE DESIGNATION (E.G. SPECIFY A11R1 AND NOT ONLY R1)
- R1 - CHANNELS OF THE ASSEMBLY DESIGNATED A11 IS SHOWN. SEE NOTE 6
- PLUS TERMINAL NOS FOR THE R-CHANNEL ARE GIVEN IN BRACKETS BEHIND THE L-CHANNEL. PLUS TERMINAL NOS
- L-CHANNEL HAS 1-33 AND R-CHANNEL HAS 100-100 AS COMPONENT NOS. WHEN REFERRING TO R-CHANNEL COMPONENTS, ADD 100 TO THE L-CHANNEL NOS (E.G. R-7 OF THE L-CHANNEL HAS THE SAME VALUE AS R-17 OF THE R-CHANNEL)

A11 EQUAL PLAYB. AMP.

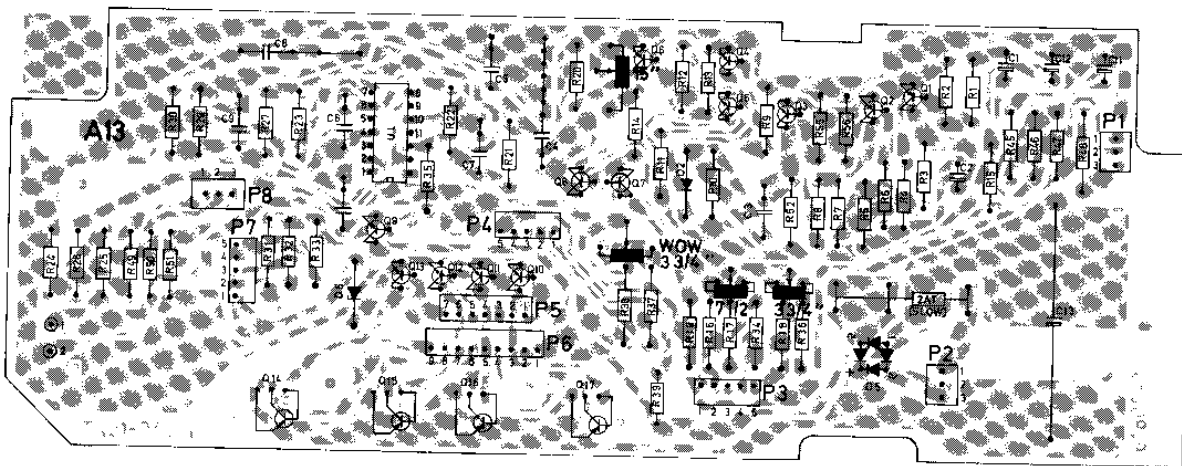
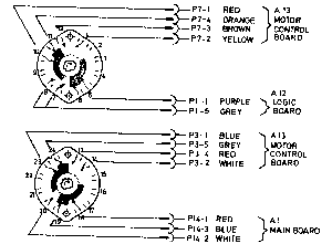




NOTES

1. UNLESS OTHERWISE SPECIFIED RESISTANCE IN OHMS
 2. WHEN REFERRING TO A COMPONENT ON A PRINTED BOARD ASSEMBLY PUT THE ASSY DESIGNATION IN FRONT OF THE COMPONENT REFERENCE DESIGNATION (E.G. SPECIFY A111 AND NOT ONLY R11)
 3. THE SWITCH IS IN THE $\frac{3}{4}$ IPS POSITION
- * 1% METAL FILM RESISTOR
 ** 5% POLYCARBONATE CAPACITOR

THE SWITCH IS SEEN FROM THE FRONT.



A13 MOTOR CONTROL

Modifications introduced on the motor control board from Serial No. 2371350:

Component	Value	Changed to:
R39	220 ohm	150 ohm, 2W
R37/R38	150 ohm	330 ohm
R32	1.8 k ohm	1.2 k ohm
R33	3.3 k ohm	2.2 k ohm
D6	1N5242	Replace with strap

Table 1 A13

Modifications introduced on the A11 EQUAL. PLAYB. AMP. from approx. No. 2371550

Component	Value	Changed to:
C8/C108*	470 pF	330 pF
R16/R116**	8.2 k ohm	6.8 k ohm
R1/R101***	47 k ohm	33 k ohm
R2/R102***	47 k ohm	33 k ohm
R16/R116***	8.2 k ohm	4.7 k ohm

*** Install on the main board a capacitor, 0.068 μ F between pin 2 and 5 on contact XA3 and XA4.

- * All decks
- ** NAB four track only
- *** NAB two track only

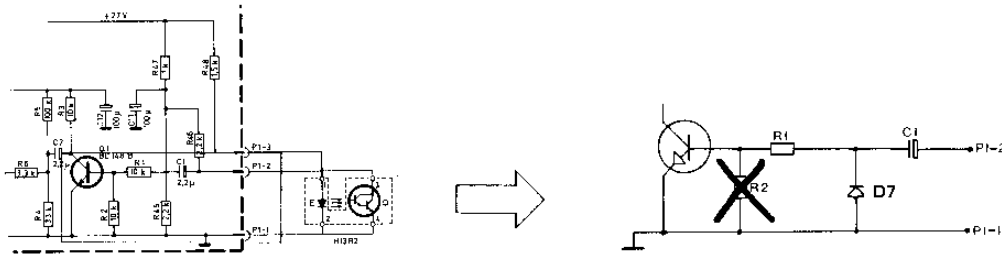
Table 3. A11

Modifications introduced on the A7 EQUAL. REC. AMP. from approx. No. 2371550

Component	Value	Changed to:
C4/C104	0.1 μ F	0.047 μ F
R8/R108	680 ohm	1.5 k ohm

Table 2. All decks: A7

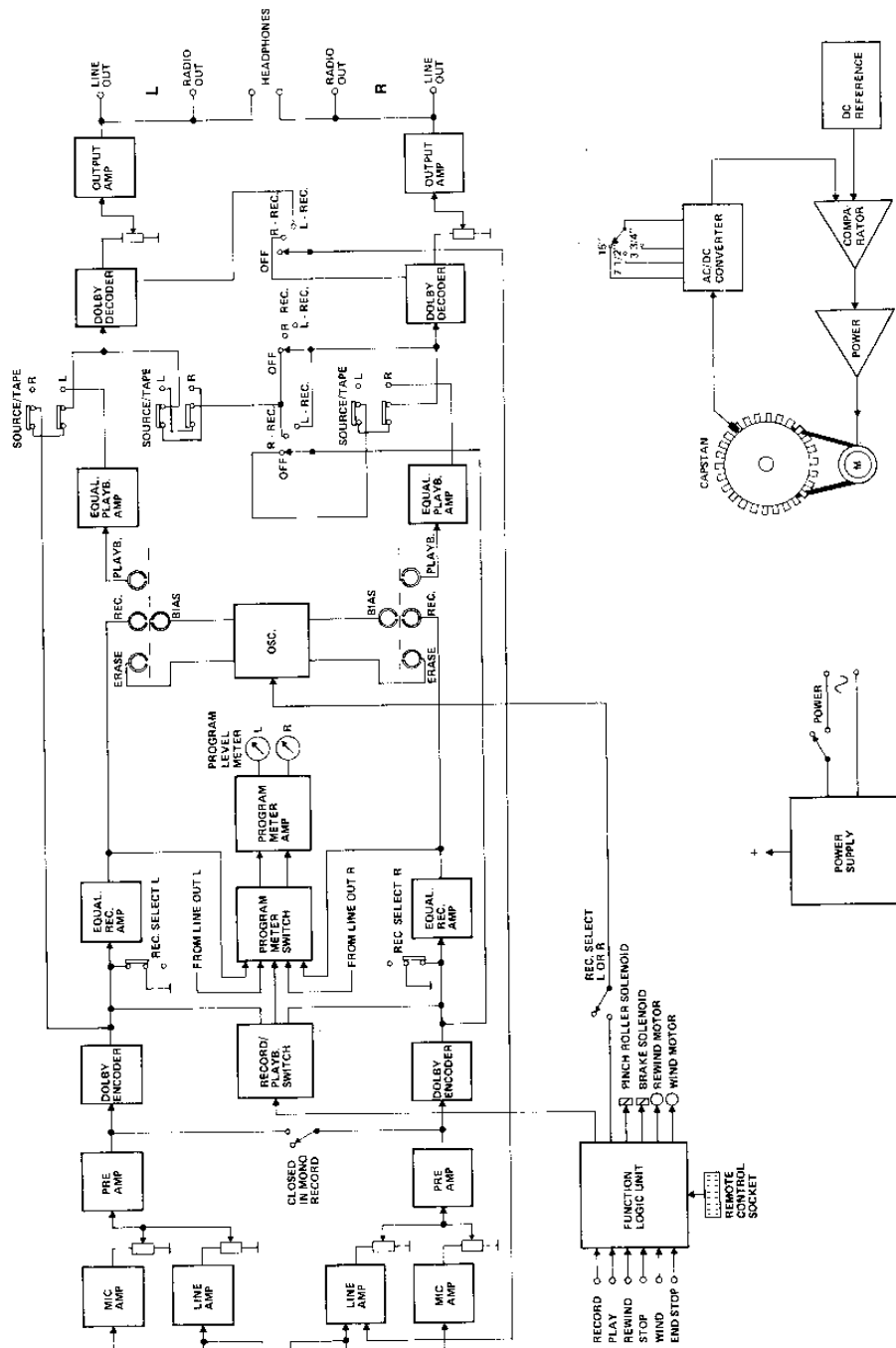
Modifications introduced on the motor control board from Serial No. 2371350:



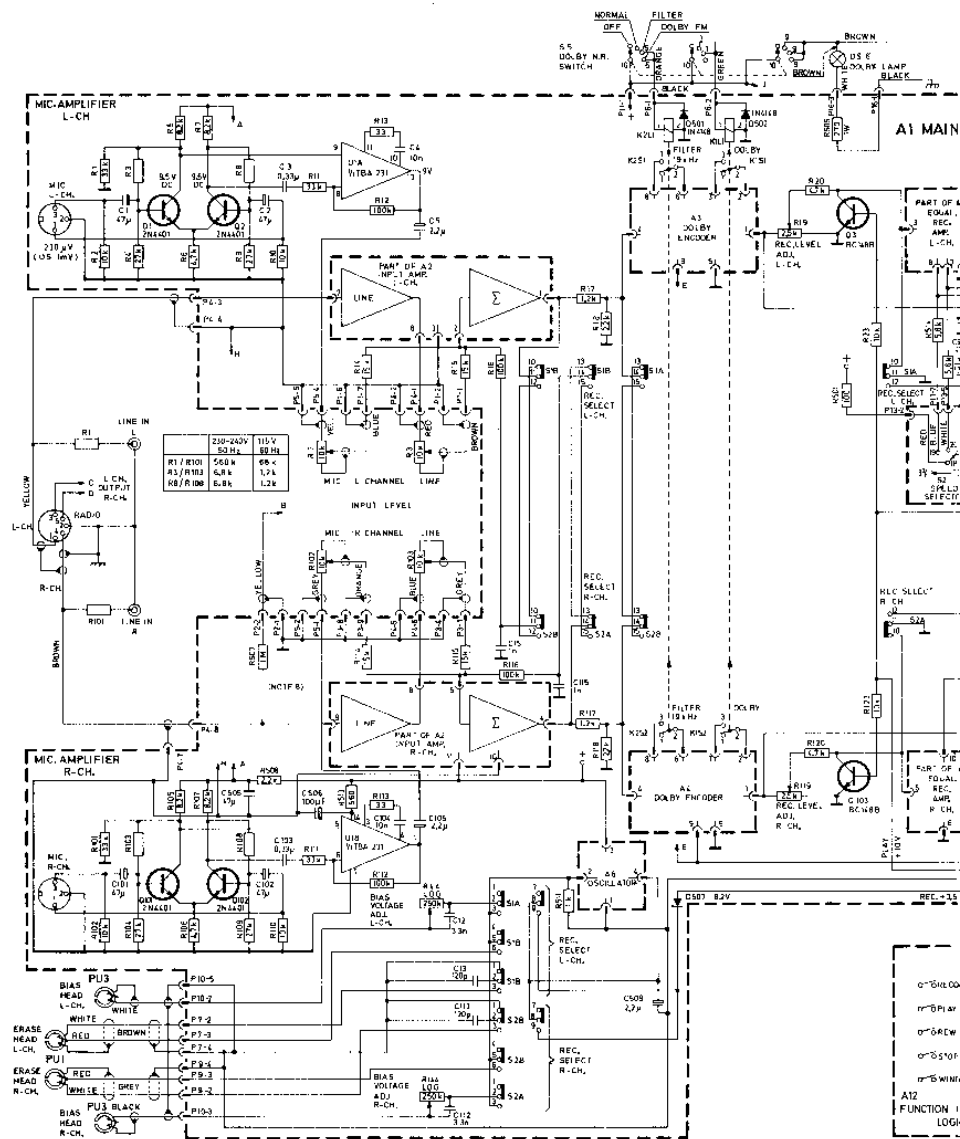
Install D7, 1N4148 between R1 and C1 to ground. R2 removes.

USA only

On USA models, resistors R3-103 and R8-108 mounted on the main board A1 have been changed to 1.2 k ohm. This is because the sensitivity of the mic. input has been changed.



BLOCK DIAGRAM WITH MODIFICATIONS ON THE S-ON-S SWITCH FROM APPROX. NO. 2372450

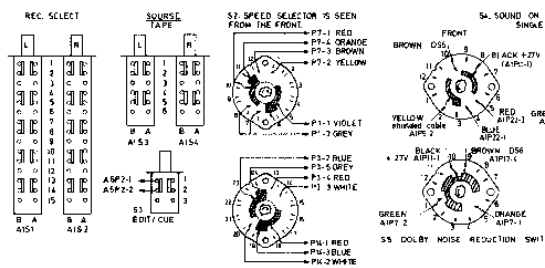


REFERENCE DESIGNATIONS

NO PREFIX	PREFIX WITH A1	NOT USED AT A1
R1-A2	R1-A, R1-B, R1-C, R1-D, R1-E, R1-F, R1-G, R1-H, R1-I, R1-J, R1-K, R1-L, R1-M, R1-N, R1-O, R1-P, R1-Q, R1-R, R1-S, R1-T, R1-U, R1-V, R1-W, R1-X, R1-Y, R1-Z	RES
R2-A	R2-A, R2-B, R2-C, R2-D, R2-E, R2-F, R2-G, R2-H, R2-I, R2-J, R2-K, R2-L, R2-M, R2-N, R2-O, R2-P, R2-Q, R2-R, R2-S, R2-T, R2-U, R2-V, R2-W, R2-X, R2-Y, R2-Z	RES
R3-A	R3-A, R3-B, R3-C, R3-D, R3-E, R3-F, R3-G, R3-H, R3-I, R3-J, R3-K, R3-L, R3-M, R3-N, R3-O, R3-P, R3-Q, R3-R, R3-S, R3-T, R3-U, R3-V, R3-W, R3-X, R3-Y, R3-Z	RES
R4-A	R4-A, R4-B, R4-C, R4-D, R4-E, R4-F, R4-G, R4-H, R4-I, R4-J, R4-K, R4-L, R4-M, R4-N, R4-O, R4-P, R4-Q, R4-R, R4-S, R4-T, R4-U, R4-V, R4-W, R4-X, R4-Y, R4-Z	RES
R5-A	R5-A, R5-B, R5-C, R5-D, R5-E, R5-F, R5-G, R5-H, R5-I, R5-J, R5-K, R5-L, R5-M, R5-N, R5-O, R5-P, R5-Q, R5-R, R5-S, R5-T, R5-U, R5-V, R5-W, R5-X, R5-Y, R5-Z	RES
R6-A	R6-A, R6-B, R6-C, R6-D, R6-E, R6-F, R6-G, R6-H, R6-I, R6-J, R6-K, R6-L, R6-M, R6-N, R6-O, R6-P, R6-Q, R6-R, R6-S, R6-T, R6-U, R6-V, R6-W, R6-X, R6-Y, R6-Z	RES
R7-A	R7-A, R7-B, R7-C, R7-D, R7-E, R7-F, R7-G, R7-H, R7-I, R7-J, R7-K, R7-L, R7-M, R7-N, R7-O, R7-P, R7-Q, R7-R, R7-S, R7-T, R7-U, R7-V, R7-W, R7-X, R7-Y, R7-Z	RES
R8-A	R8-A, R8-B, R8-C, R8-D, R8-E, R8-F, R8-G, R8-H, R8-I, R8-J, R8-K, R8-L, R8-M, R8-N, R8-O, R8-P, R8-Q, R8-R, R8-S, R8-T, R8-U, R8-V, R8-W, R8-X, R8-Y, R8-Z	RES
R9-A	R9-A, R9-B, R9-C, R9-D, R9-E, R9-F, R9-G, R9-H, R9-I, R9-J, R9-K, R9-L, R9-M, R9-N, R9-O, R9-P, R9-Q, R9-R, R9-S, R9-T, R9-U, R9-V, R9-W, R9-X, R9-Y, R9-Z	RES
R10-A	R10-A, R10-B, R10-C, R10-D, R10-E, R10-F, R10-G, R10-H, R10-I, R10-J, R10-K, R10-L, R10-M, R10-N, R10-O, R10-P, R10-Q, R10-R, R10-S, R10-T, R10-U, R10-V, R10-W, R10-X, R10-Y, R10-Z	RES
C1-A	C1-A, C1-B, C1-C, C1-D, C1-E, C1-F, C1-G, C1-H, C1-I, C1-J, C1-K, C1-L, C1-M, C1-N, C1-O, C1-P, C1-Q, C1-R, C1-S, C1-T, C1-U, C1-V, C1-W, C1-X, C1-Y, C1-Z	CAP
C2-A	C2-A, C2-B, C2-C, C2-D, C2-E, C2-F, C2-G, C2-H, C2-I, C2-J, C2-K, C2-L, C2-M, C2-N, C2-O, C2-P, C2-Q, C2-R, C2-S, C2-T, C2-U, C2-V, C2-W, C2-X, C2-Y, C2-Z	CAP
C3-A	C3-A, C3-B, C3-C, C3-D, C3-E, C3-F, C3-G, C3-H, C3-I, C3-J, C3-K, C3-L, C3-M, C3-N, C3-O, C3-P, C3-Q, C3-R, C3-S, C3-T, C3-U, C3-V, C3-W, C3-X, C3-Y, C3-Z	CAP
C4-A	C4-A, C4-B, C4-C, C4-D, C4-E, C4-F, C4-G, C4-H, C4-I, C4-J, C4-K, C4-L, C4-M, C4-N, C4-O, C4-P, C4-Q, C4-R, C4-S, C4-T, C4-U, C4-V, C4-W, C4-X, C4-Y, C4-Z	CAP
C5-A	C5-A, C5-B, C5-C, C5-D, C5-E, C5-F, C5-G, C5-H, C5-I, C5-J, C5-K, C5-L, C5-M, C5-N, C5-O, C5-P, C5-Q, C5-R, C5-S, C5-T, C5-U, C5-V, C5-W, C5-X, C5-Y, C5-Z	CAP
C6-A	C6-A, C6-B, C6-C, C6-D, C6-E, C6-F, C6-G, C6-H, C6-I, C6-J, C6-K, C6-L, C6-M, C6-N, C6-O, C6-P, C6-Q, C6-R, C6-S, C6-T, C6-U, C6-V, C6-W, C6-X, C6-Y, C6-Z	CAP
C7-A	C7-A, C7-B, C7-C, C7-D, C7-E, C7-F, C7-G, C7-H, C7-I, C7-J, C7-K, C7-L, C7-M, C7-N, C7-O, C7-P, C7-Q, C7-R, C7-S, C7-T, C7-U, C7-V, C7-W, C7-X, C7-Y, C7-Z	CAP
C8-A	C8-A, C8-B, C8-C, C8-D, C8-E, C8-F, C8-G, C8-H, C8-I, C8-J, C8-K, C8-L, C8-M, C8-N, C8-O, C8-P, C8-Q, C8-R, C8-S, C8-T, C8-U, C8-V, C8-W, C8-X, C8-Y, C8-Z	CAP
C9-A	C9-A, C9-B, C9-C, C9-D, C9-E, C9-F, C9-G, C9-H, C9-I, C9-J, C9-K, C9-L, C9-M, C9-N, C9-O, C9-P, C9-Q, C9-R, C9-S, C9-T, C9-U, C9-V, C9-W, C9-X, C9-Y, C9-Z	CAP
C10-A	C10-A, C10-B, C10-C, C10-D, C10-E, C10-F, C10-G, C10-H, C10-I, C10-J, C10-K, C10-L, C10-M, C10-N, C10-O, C10-P, C10-Q, C10-R, C10-S, C10-T, C10-U, C10-V, C10-W, C10-X, C10-Y, C10-Z	CAP

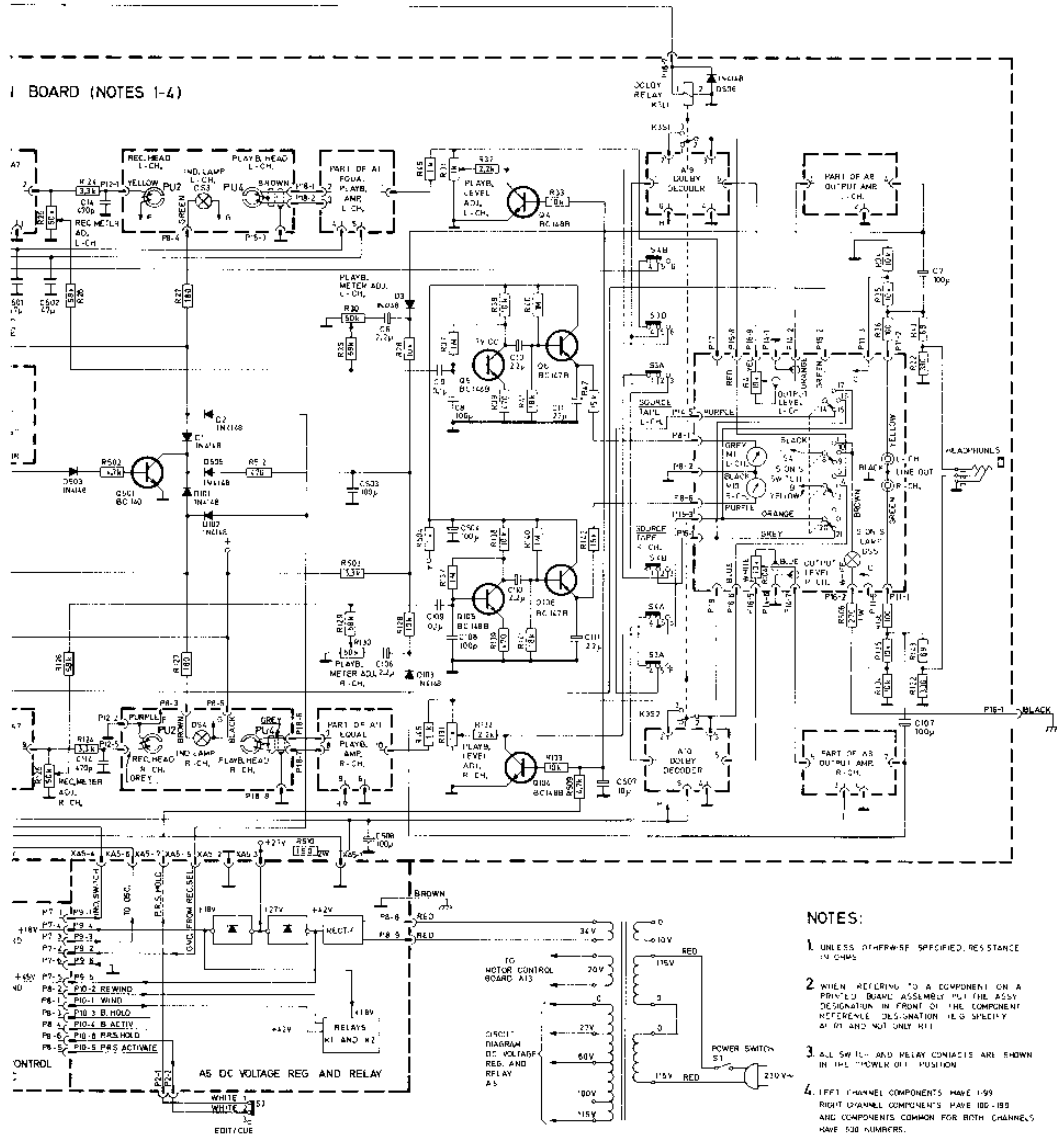
COMPONENTS CHANGED	FROM	TO	DATE	E.C.O. NO.	SERIAL NO.
R1, R101	504	506			

ALL THE SWITCHES ARE SEEN FROM SOLDER SIDE (NOTE 2 AND 3)

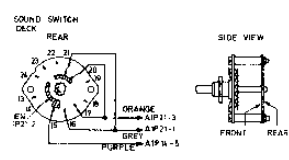


A1 MAIN BOARD CIRCUIT DIA

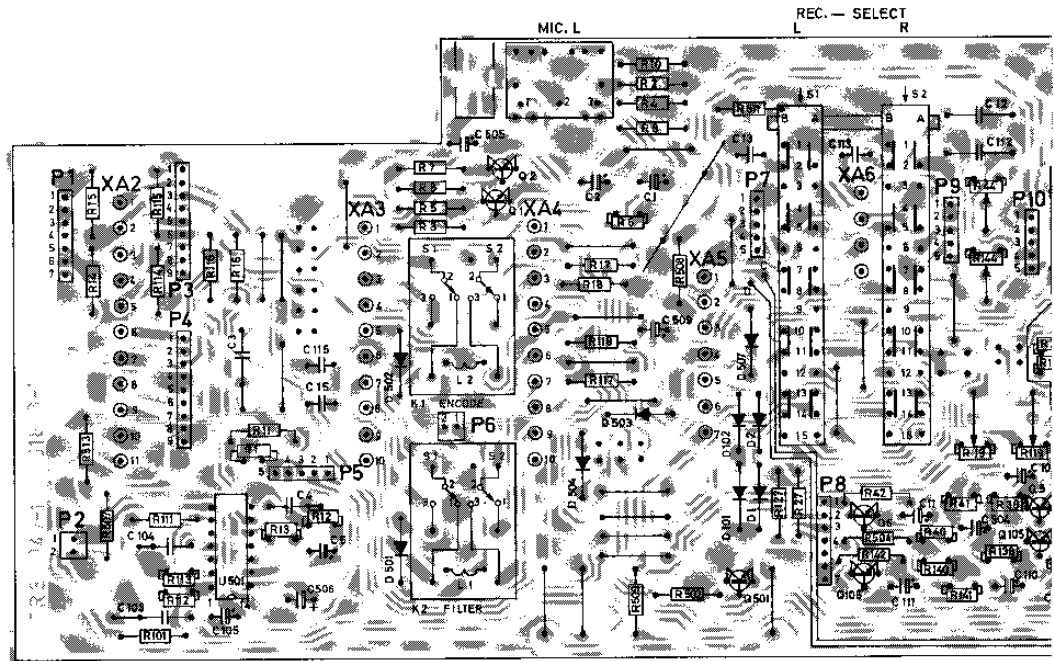
BOARD (NOTES 1-4)



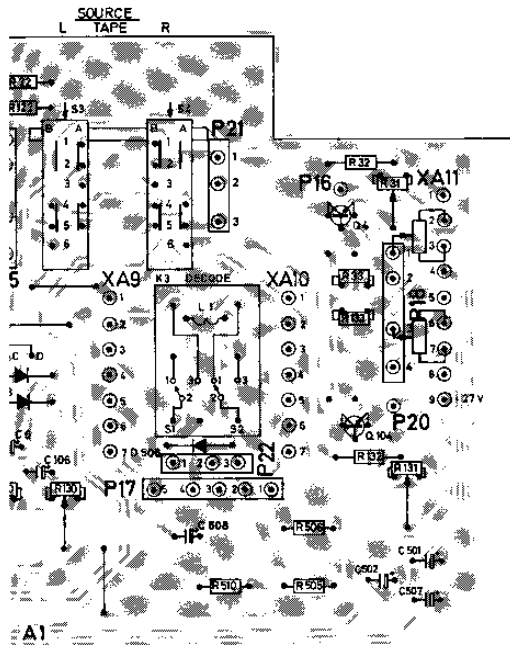
- NOTES:**
1. UNLESS OTHERWISE SPECIFIED, RESISTANCE IN OHMS.
 2. WHEN REFERRING TO A COMPONENT ON A PRINTED BOARD ASSEMBLY, THE ASSY DESIGNATION IN FRONT OF THE COMPONENT REFERENCE DESIGNATION (E.G. SPECIFY 50-01 AND NOT UNIT 501).
 3. ALL SWITCH AND RELAY CONTACTS ARE SHOWN IN THE "POWER ON" POSITION.
 4. LEFT CHANNEL COMPONENTS HAVE 100, RIGHT CHANNEL COMPONENTS HAVE 100-100, AND COMPONENTS COMMON FOR BOTH CHANNELS HAVE 500 NUMBERS.



GRAM. FROM SERIAL NO. APPROX. 2372450



A1 MAIN BOARD FROM SE



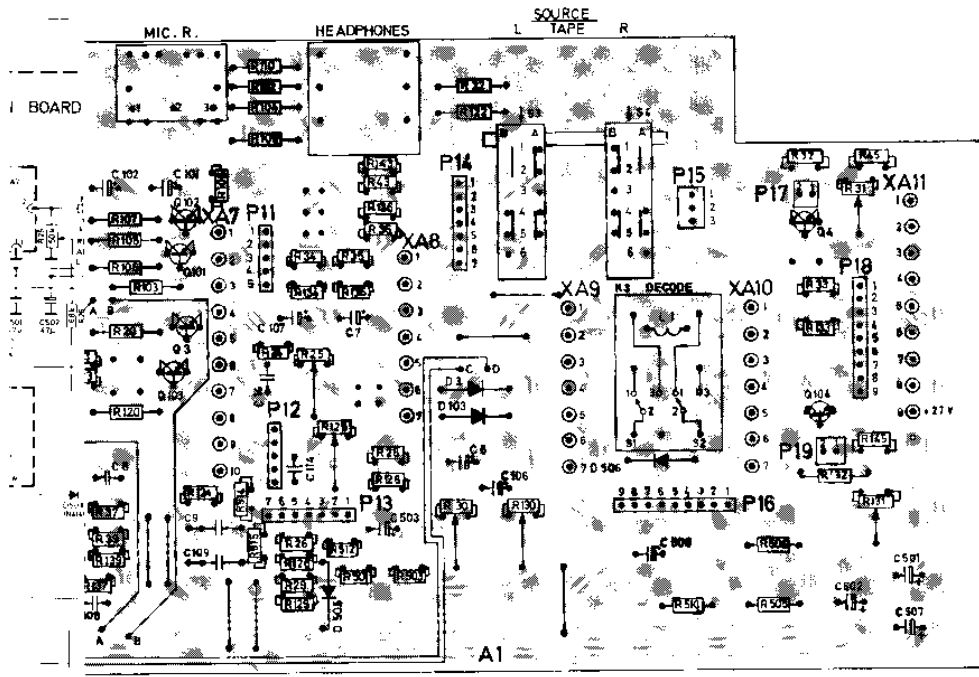
Adjusting the playback curve

From serial No. 2372550 two pot. meters, 1 M ohm are introduced on the Main Board A1 to make the playback adjustable. To adjust, play back Tandberg test tape No. 3 (DIN 19H) in 7½ ips. This tape contains the following frequencies: 1000 Hz, 4 kHz, 125 Hz, 40 Hz, 1000 Hz (ref.). Adjust with the pot. meters to + 2 dB at 18 kHz.

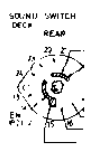
The pot. meters are mounted on the solder side on the Main Board A1 between points 18-1 and 18-2 (left channel) and 23-1 and 23-2 (right channel), see Figure.

In connection with the pot. meters, modifications are made on the EQUAL. PLAYB. AMP. A11.

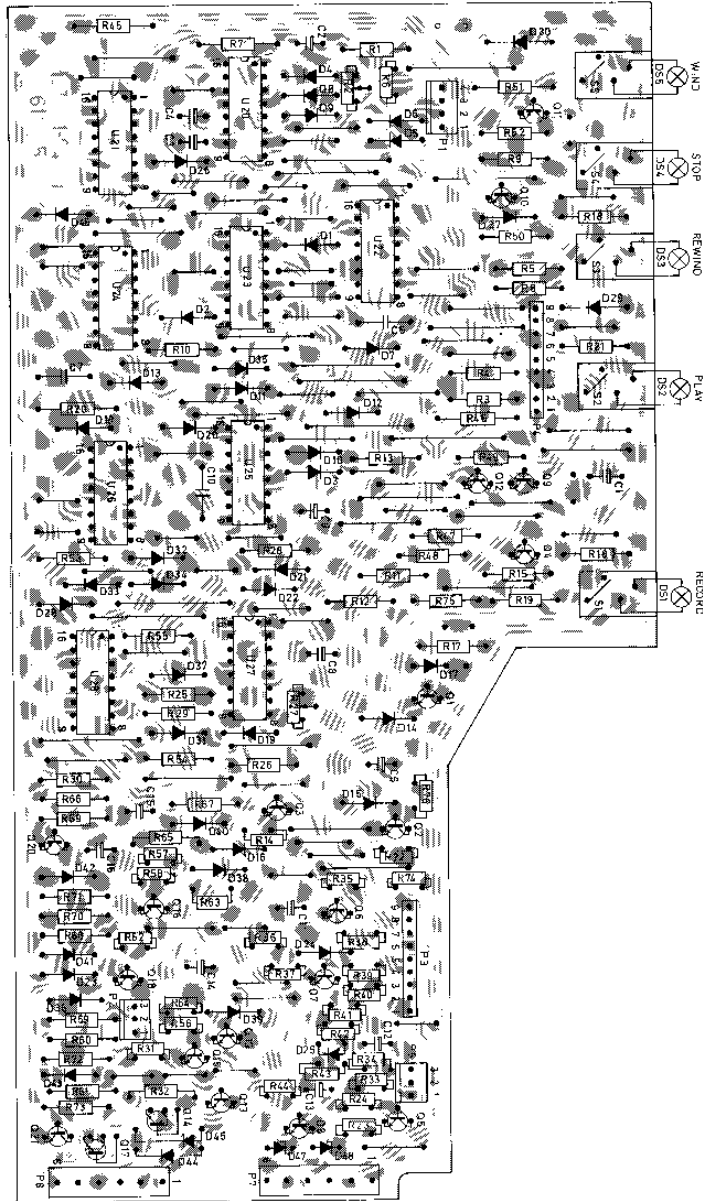
Component	Value	Changed to:
R1/R101	47 kohms	68 kohms
R2/R102	47 kohms	68 kohms
R16/R116	4.7 kohms	8.2 kohms
C8/C108	220 pF	330 pF



RIAL NO. APPROX. 2372450



GRAM



A12 LOGIC BOARD. FROM SERIAL NO. APPROX. 2372800



TANDBERGS RADIOFABRIKK A/S
Postboks 9, Korsvoll, Oslo 8
Norway