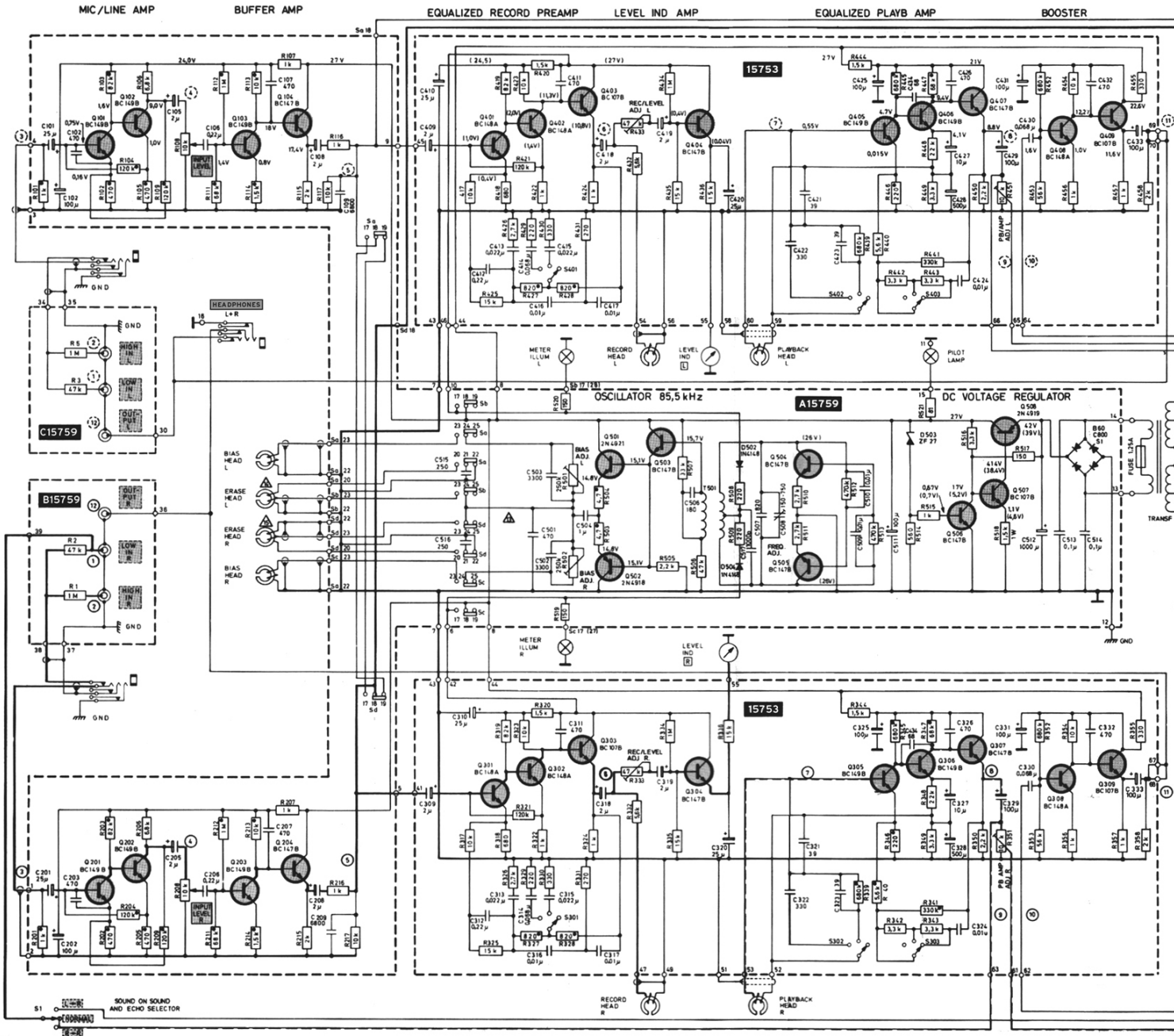
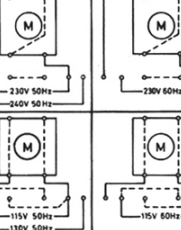
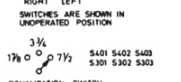
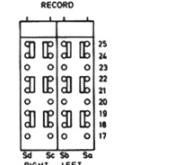


16.2 U.S. Version



NOTES

- BOARD
 - TOP PLATE MARKING
 - REAR PANEL MARKING
 - PRESET CONTROL
 - TEST POINT
 - CONNECTION TERMINAL
 - UPPER TRACK - LEFT CHANNEL
 - LOWER TRACK - RIGHT CHANNEL
 - SIGNAL PATH, PLAYBACK
 - SIGNAL PATH, RECORD
 - DEPOSITED CARBON RESISTORS
- CAPACITORS INDICATED IN μ F UNLESS OTHERWISE SPECIFIED μ = 1000.000 pF
 RESISTORS INDICATED IN OHMS UNLESS OTHERWISE SPECIFIED k = 1000 OHMS M = 1000 000 OHMS
 VOLTAGES GIVEN IN PARANTHESIS REFER TO RECORD POSITION



SENSITIVITY AT 400 Hz	
1	5 mV
2	100 mV
3	0.1 mV
4	20 mV
5	105 mV
6	2.2 V
7	2 mV
8	350 mV
9	115 mV
10	115 mV
11	1 V
12	1 V

RECORD 855Hz	
13	8 VOLT
14	90 VOLT
15	90 VOLT