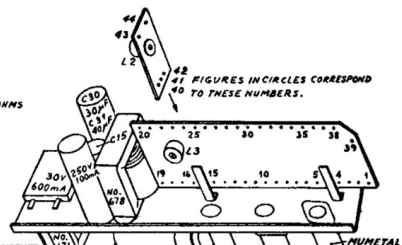
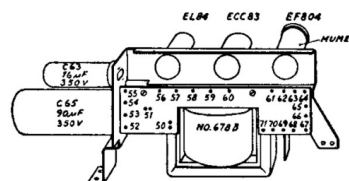
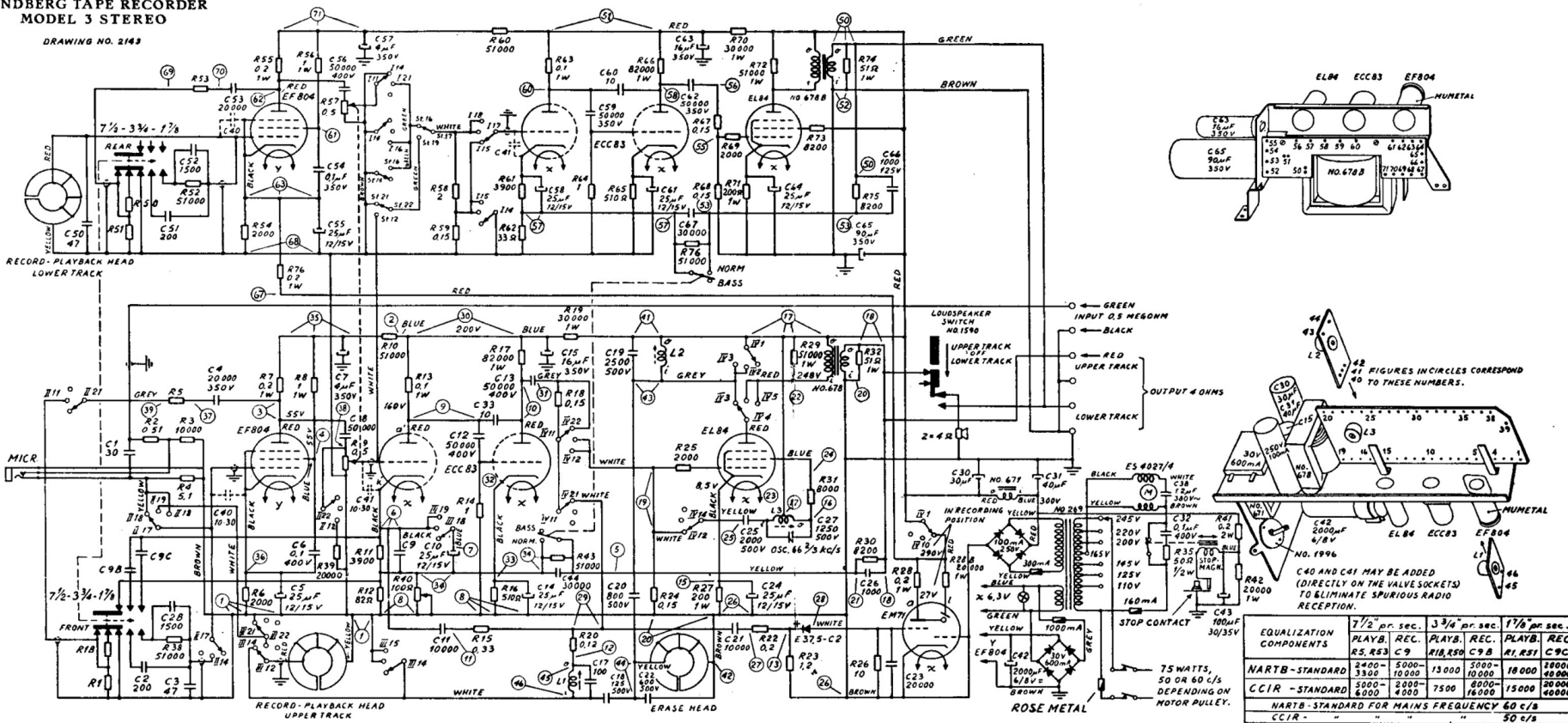
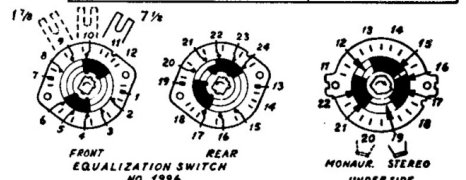
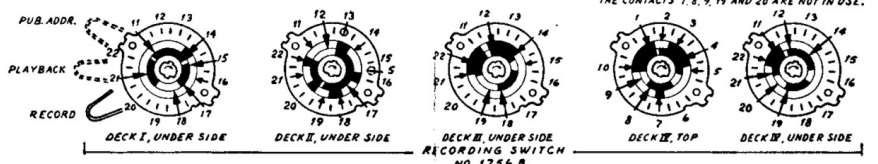
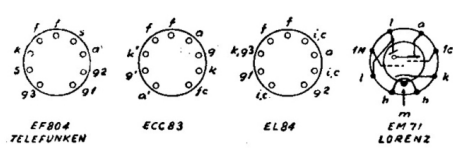


TANBERG TAPE RECORDER
MODEL 3 STEREO

DRAWING NO. 2143



EQUALIZATION COMPONENTS	7 1/2 pr. sec.		3 3/4 pr. sec.		1 1/8 pr. sec.	
	PLAYB.	REC.	PLAYB.	REC.	PLAYB.	REC.
NARTB - STANDARD	2400-	5000-	13000	5000-	18000	18000-
CCIR - STANDARD	5000-	2000-	7500	16000	15000	20000-
	4000	4000		8000-	15000	40000
	NARTB - STANDARD FOR MAINS FREQUENCY 60 C/S					
	CCIR - " " " " " " " " 50 C/S					



FRONT OF RECORDER