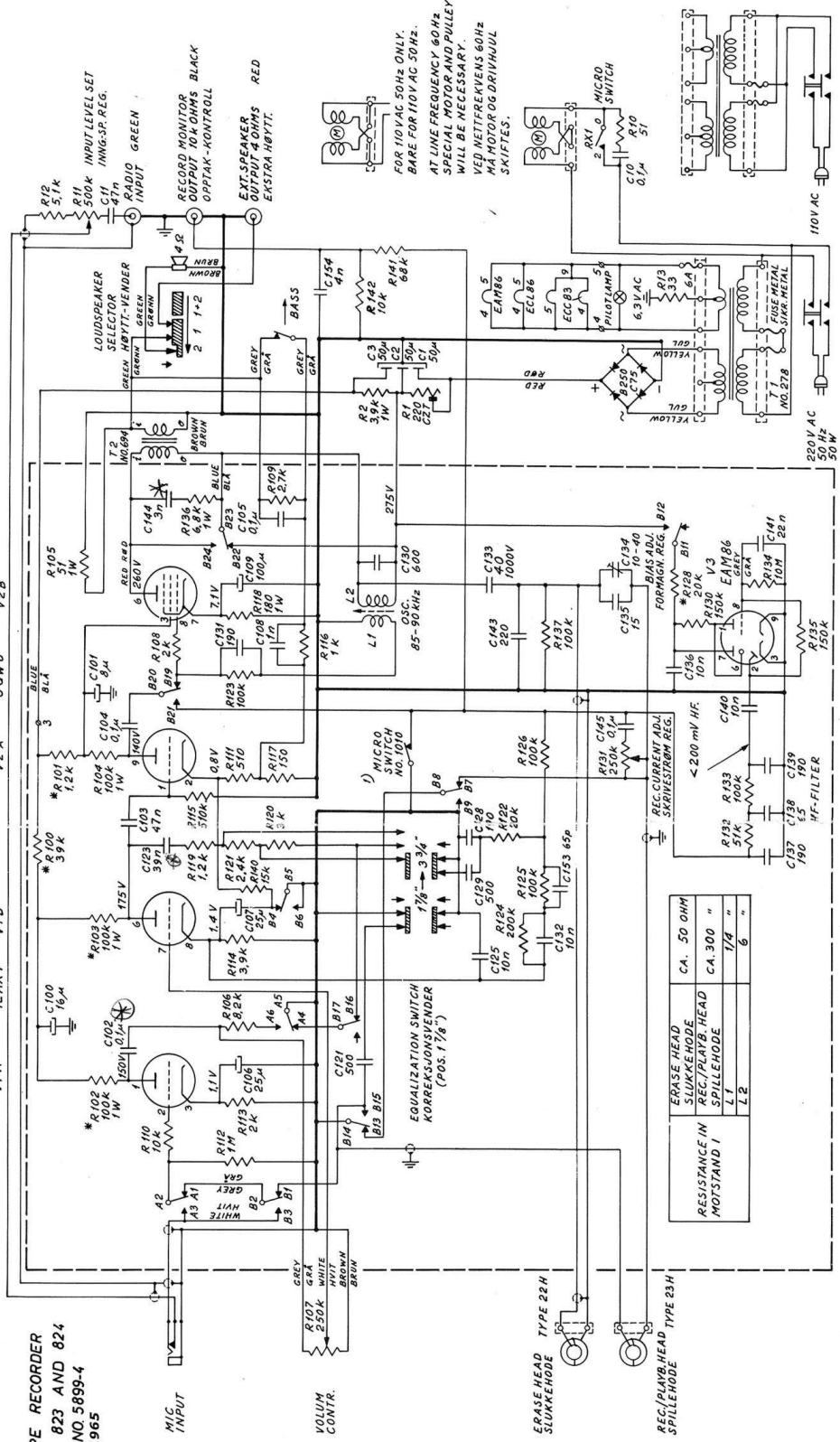


TANBERG TAPE RECORDER
MODEL 821, 822, 823 AND 824
DRAWING NO 5899-4
MARCH 1965



TO PREVENT DC PULSES TO PASS THROUGH THE REC./PLAYB. HEAD, THIS MICRO SWITCH MUST SHORTCIRCUIT BEFORE ANY OTHER MOVES TO MAKE OR BREAK THE RECORD HEAD MOVES FROM "RECORD" TO "PLAYBACK".

FOR A HINDRE AT LIKESTRØMSPULSER PÅSERER GJENNOM SPILLEHODET, SKAL MICRO-BRYTEREN KORTSLUTTE FØR NOEN ANNEN KONTAKTINNEN. I PREFERERER HÅR HENDELSE Å REVERSER SEG FRA "RECORD" TIL "PLAYBACK".

RESISTORS INDICATED IN OHMS.
 K = 1000 OHMS.
 M = 10000 OHMS.
 * = DEPOSITED CARBON RESISTORS.
 TOLERANCES ± 10% UNLESS OTHERWISE SPECIFIED.
 ANGITTT I OHM
 K = 1000 OHM
 M = 10000 OHM
 * = DEPOSITET KULLSTAND
 TOLERANSE ± 10% HVIS IKKE ANNET ANGITTT

CAPACITORS INDICATED IN μM FARADS UNLESS OTHERWISE SPECIFIED.
 n = 1000 μM.F.
 TOLERANCES ± 20%.
 KONDENSATORER ANGITTT I μM FARAD HVIS IKKE ANNET ANGITTT.
 n = 1000 μM.F.
 TOLERANSE ± 20%



FOR 110V AC 50 Hz ONLY.
 BARE FOR 110V AC 50 Hz.
 AT LINE FREQUENCY 60 Hz SPECIAL MOTOR AND PULLEY WILL BE NECESSARY.
 VED NETTFREKVEN 60 Hz VED NETTFREKVEN 60 Hz SKAL MOTOR OG DRIVHJUL SKIFTES.

RECORD MONITOR OUTPUT 10 OHMS BLACK
 OPTAK-KONTROLL
 EXT. SPEAKER OUTPUT 4 OHMS RED
 EKSTRA HØRFTT.

LOUDSPEAKER SELEKTOR
 GREEN HØRFTT-VENDER
 GREEN HØRFTT-VENDER
 2 1 1-2
 RADIO INPUT GREEN
 INPUT LEVEL SET 500k
 51k
 51k
 R11
 R12
 47n
 C11
 INNG-SP. REG.

REC. CURRENT ADJ. STRØMREGULERING
 250k
 10-40
 C145
 15
 BIAS ADJ. BIASREGULERING
 10-40
 C134
 15
 FORMAGN. REG. FORMAGN. REGULERING
 150k
 10-3
 C140
 10n
 HF-FILTER
 190
 5.5
 190
 C137
 C138
 C139

OSC. 85-90 kHz
 L1
 C130
 600
 275V
 R142
 10k
 R141
 6.8k
 C3
 50n
 R1
 220
 220
 C1
 50n

REC./PLAYB. HEAD TYPE 23H
 ERASE HEAD SLUKKEHODE TYPE 22H
 VOLUM. CONTR. VOLUM. KONTR.
 MISC. INPUT MISC. INNTATT