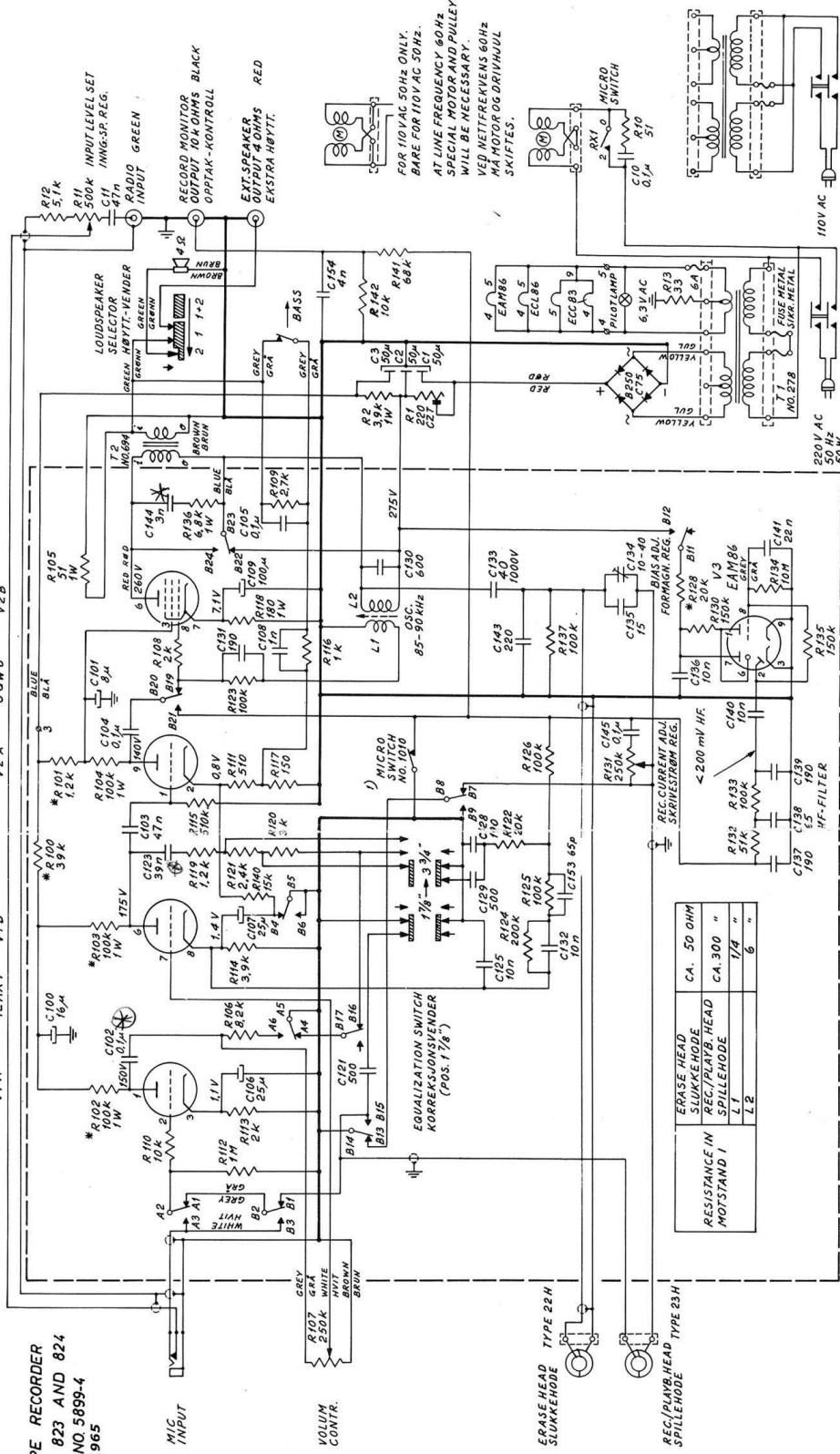


ECC 83 72AX7 V1B 66W8 V2B  
ECL 86 V2A

**TANBERG TAPE RECORDER**  
MODEL 821, 822, 823 AND 824  
DRAWING NO 5899-4  
MARCH 1965

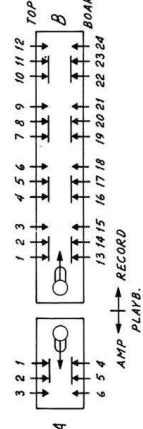


TO PREVENT DC PULSES TO PASS THROUGH THE REC./PLAY HEAD, THIS MICRO SWITCH MUST SHORTCIRCUIT BEFORE ANY OTHER MOVES TO MAKE OR BREAK THE RECORD HEADS FROM "RECORD" TO "PLAYBACK".

FOR A HINDRE AT LIKESTRØMSPULSER PÅSERER GJENNOM SPILLEHODET, SKAL MICRO-RYTEREN KORTSLUTTE FØR NOEN ANNEN KONTAKT INNHØLSE INN PREFERERER HØR HØR. DEN B. BEVEGER SEG FRA "RECORD" TIL "PLAYBACK".

RESISTORS INDICATED IN OHMS.  
K = 1000 OHMS.  
\* = DEPOSITED CARBON RESISTORS.  
TOLERANCES ± 10% UNLESS OTHERWISE SPECIFIED.  
ANGITT I OHM  
K = 1000 OHM  
\* = LOKKEDYKHOVSTAND  
TOLERANSE ± 10% HVIS IKKE ANNET ANGIT

CAPACITORS INDICATED IN μM FARADS UNLESS OTHERWISE SPECIFIED.  
n = 1000 μM.F.  
TOLERANCES ± 20%.  
KONDENSATORER  
ANGITT I μM FARAD HVIS IKKE ANNET ANGIT.  
n = 1000 μM.F.  
TOLERANSE ± 20%



FOR 110V AC 50 Hz ONLY.  
BARE FOR 110V AC 50 Hz.  
AT LINE FREQUENCY 60 Hz  
SPECIAL MOTOR AND PULLEY  
WILL BE NECESSARY.  
VED NETTFREKVEN 60 Hz  
MÅ MOTOR OG DRIVHJUL  
SKIFTES.