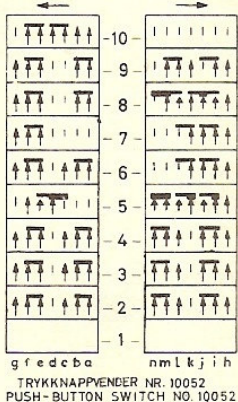
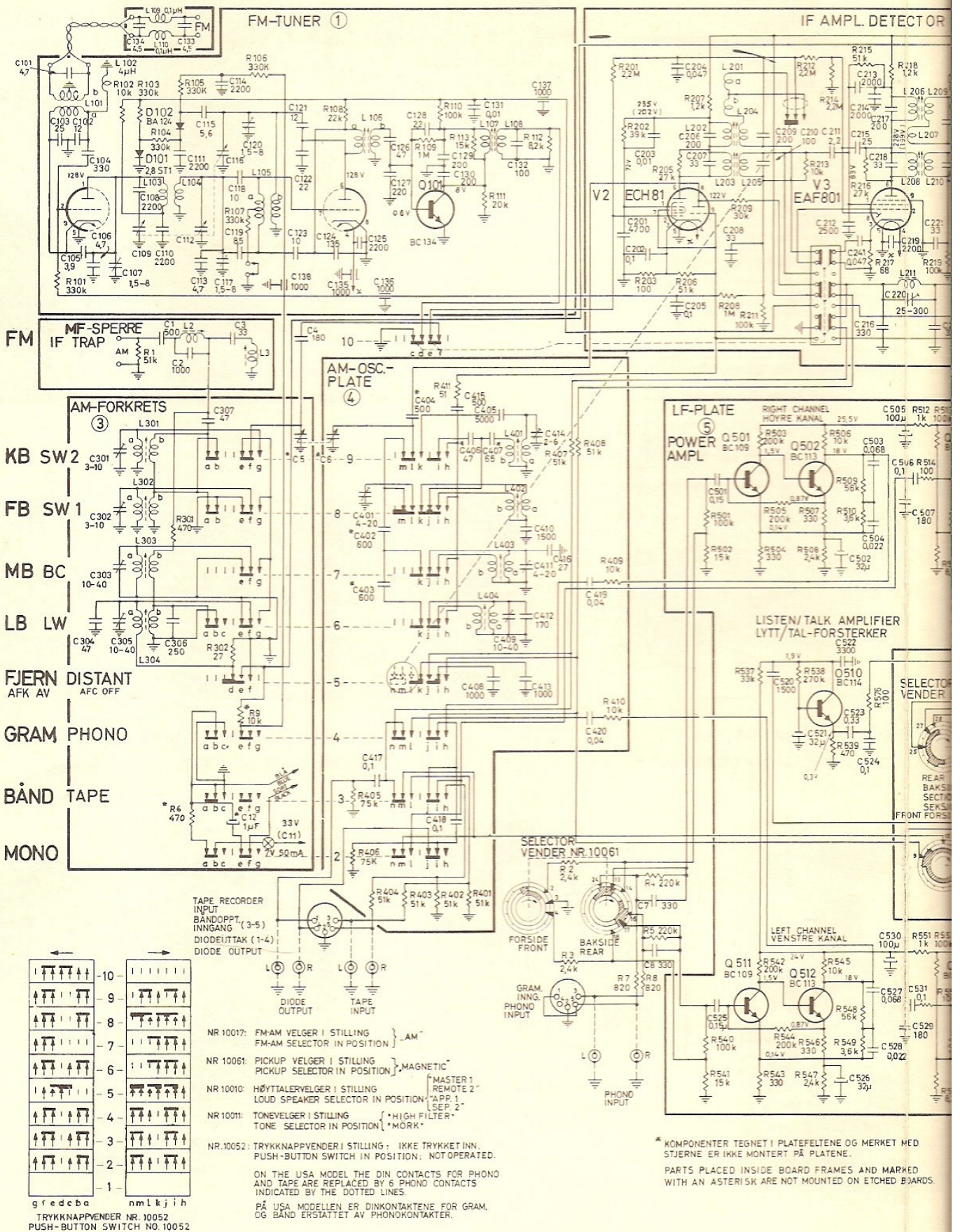
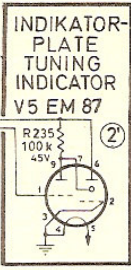
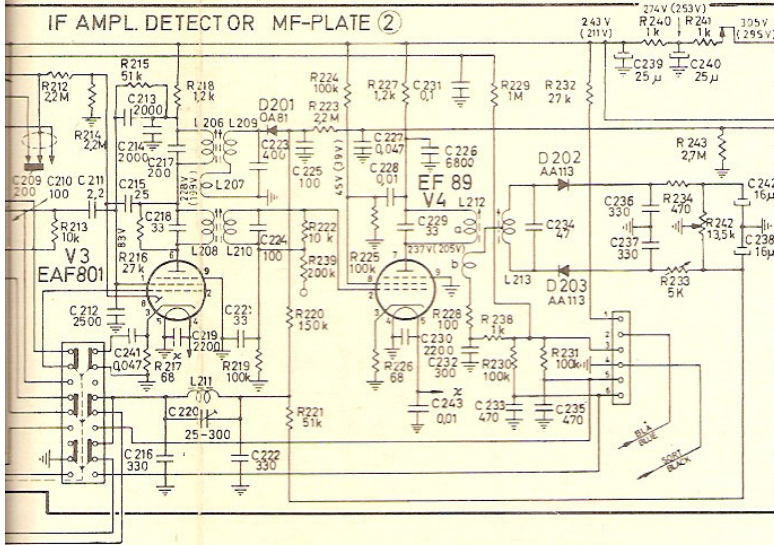


# Huldra 8

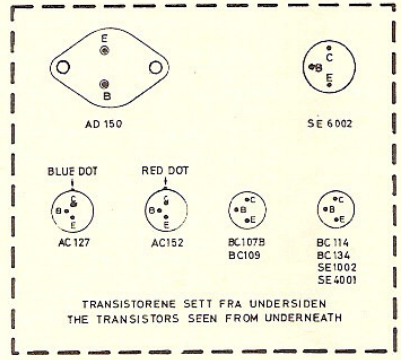
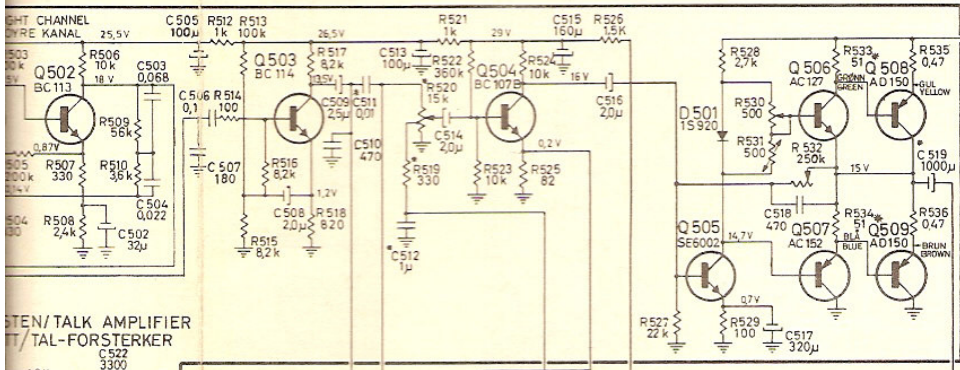
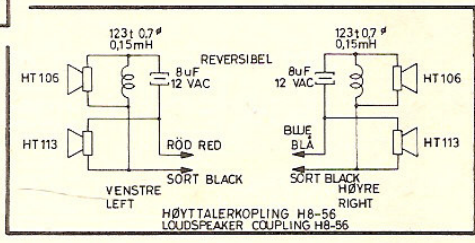


IF AMPL. DETECTOR MF-PLATE ②

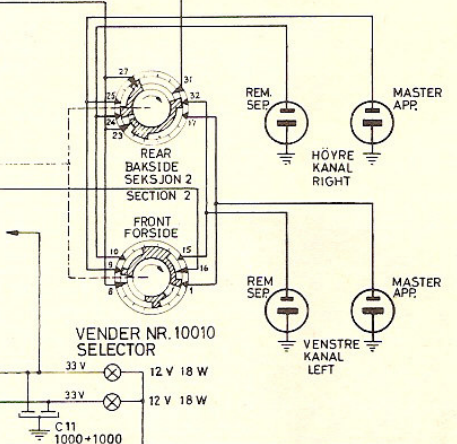
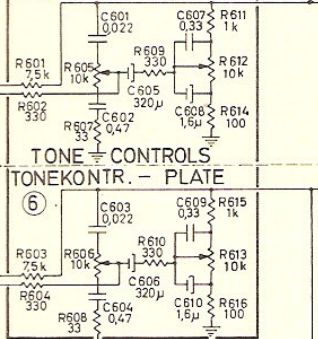
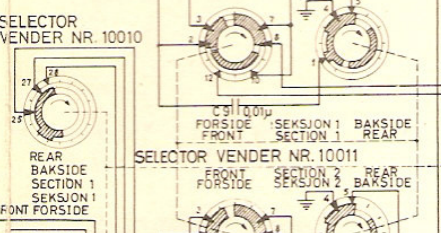
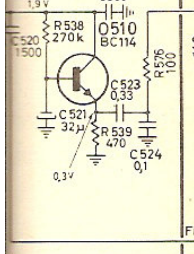


HULDRA 8

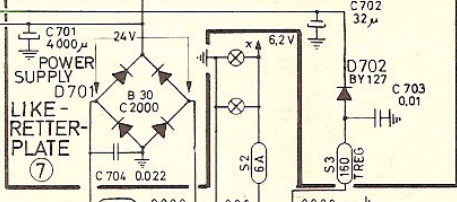
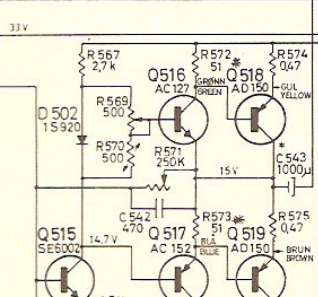
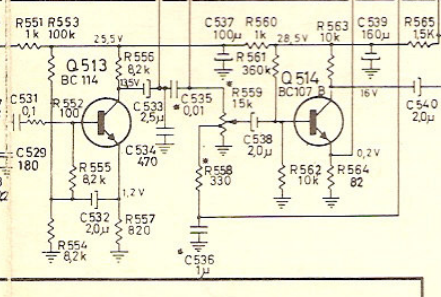
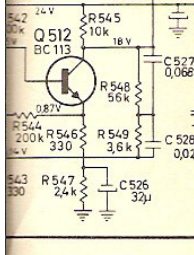
FRA SERIE NR. 433701  
FROM SERIES



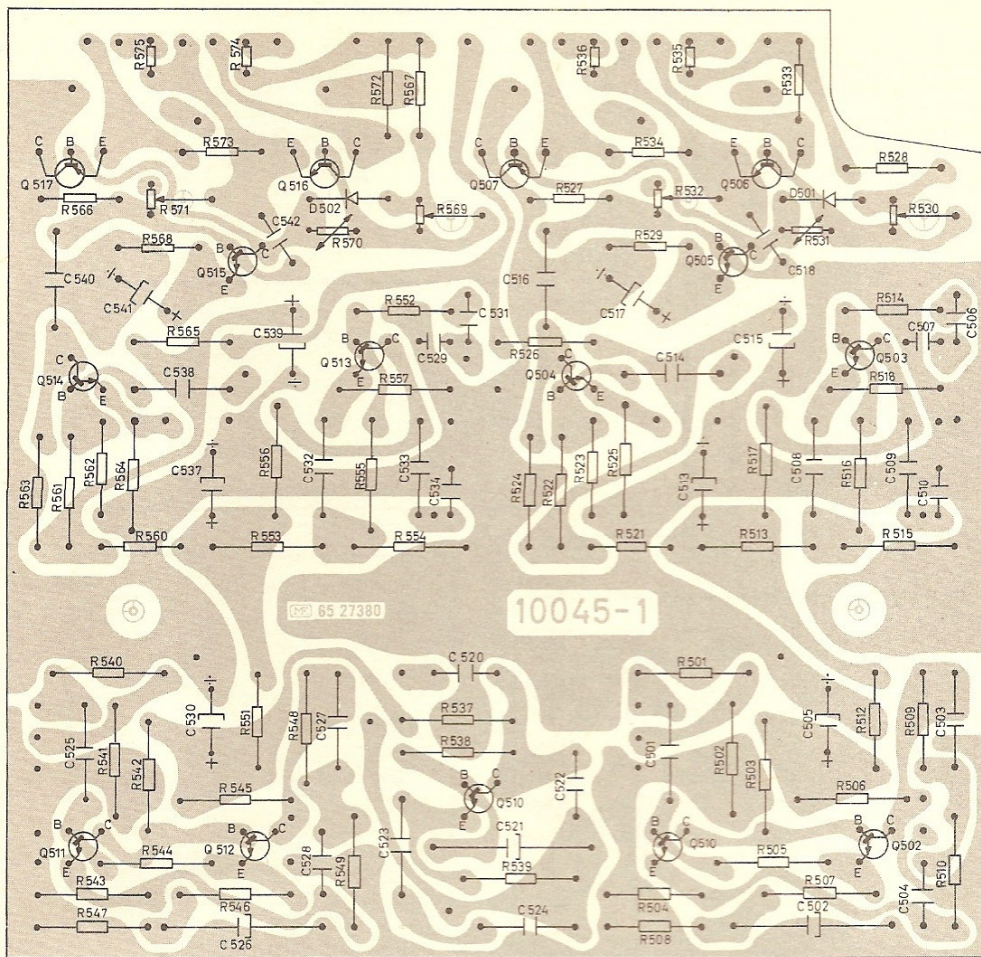
STEN/TALK AMPLIFIER  
TAL-FORSTERKER



LEFT CHANNEL  
VENSTRE KANAL

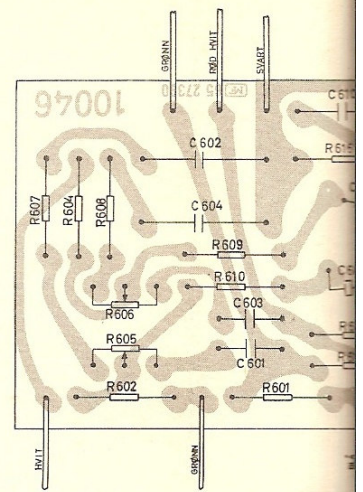


PLATEFELTENE OG MERKET MED  
ERT PÅ PLATENE.  
BOARD FRAMES AND MARKED  
NOT MOUNTED ON ETCHED BOARDS.

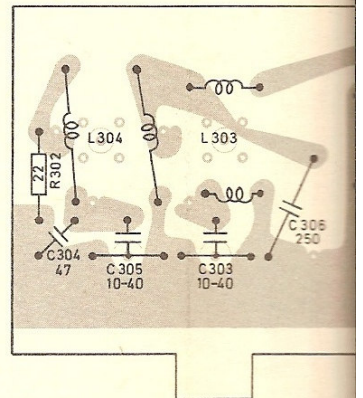


LF-platen sett fra foliesiden.

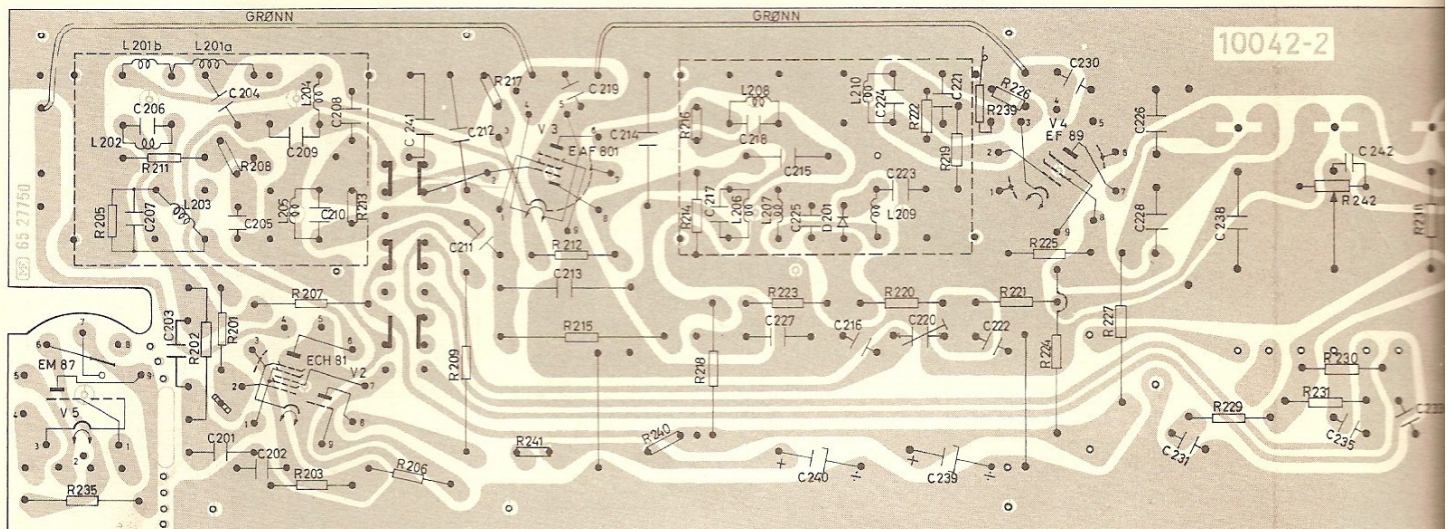
The power amplifier board seen from the printed side.



Tonekontrollplaten sett fra foliesiden.  
The tone control board seen from the printed side.

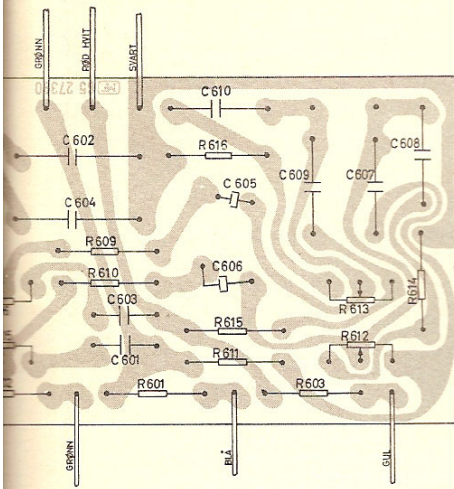


AM-forkrets-platen sett fra foliesiden.  
The AM-tuner board seen from the printed side.

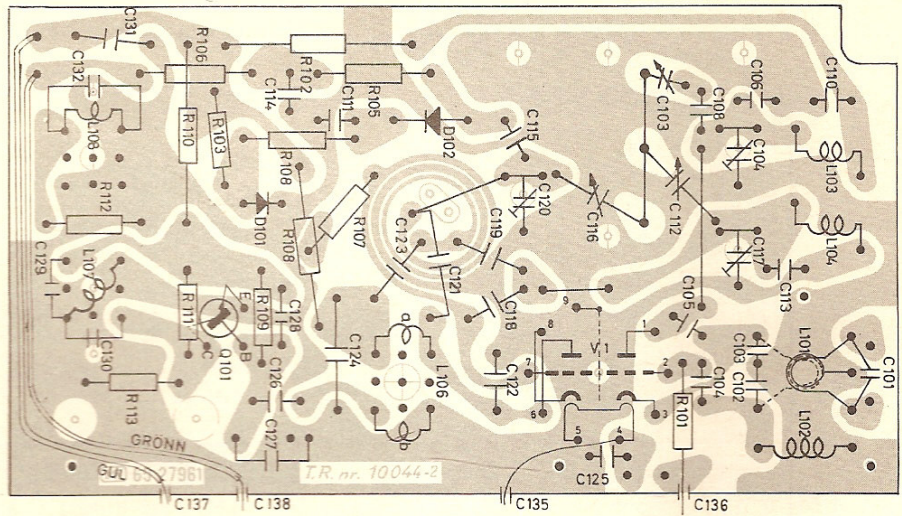


MF-platen sett fra foliesiden.

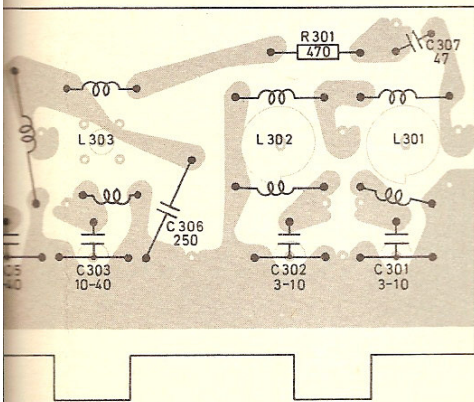
The IF-circuit board seen from the printed side.



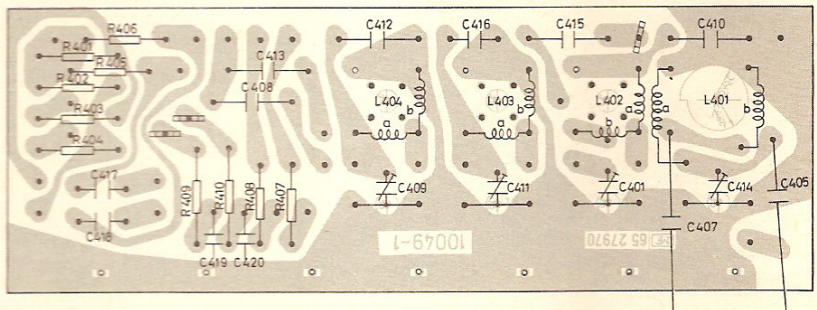
mekontrollplaten sett fra foliesiden.  
control board seen from the printed side.



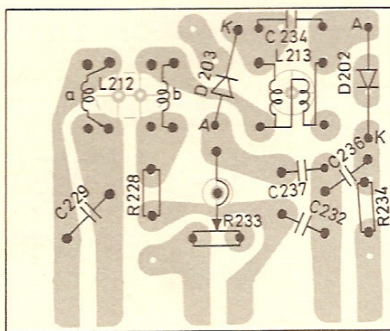
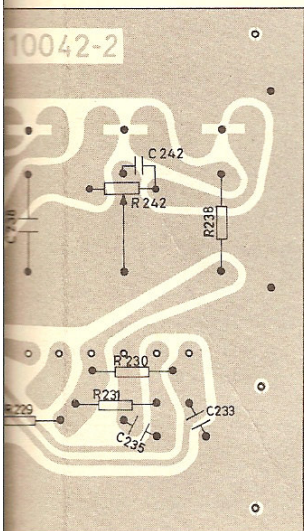
FM-platen sett fra foliesiden.  
The FM-tuner board seen from the printed side.



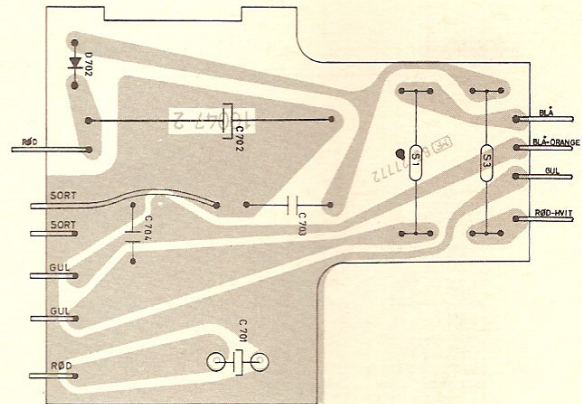
M-forkrets-plate sett fra foliesiden.  
M-tuner board seen from the printed side.



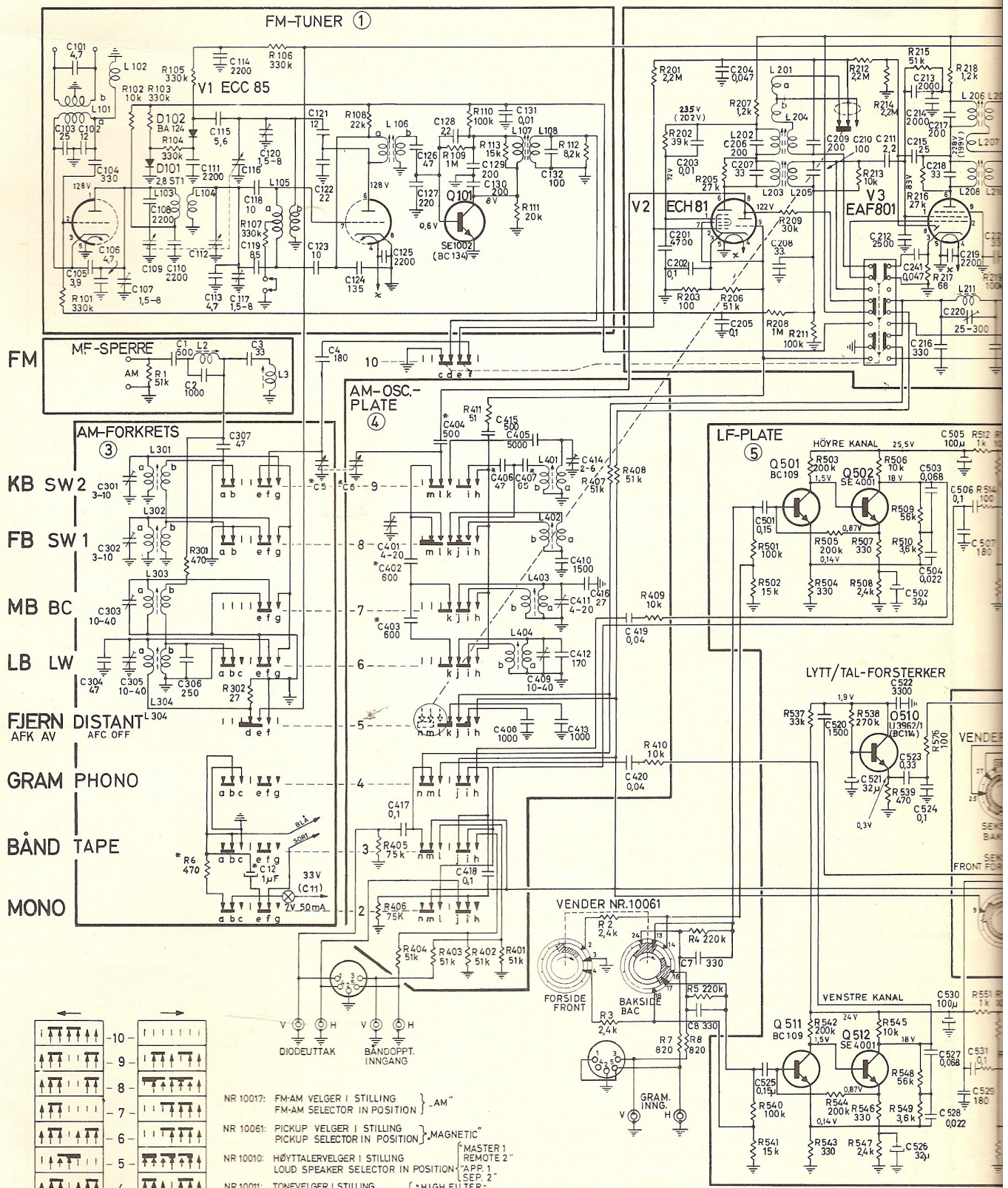
AM-oscillator-plate sett fra foliesiden.  
The AM-oscillator board seen from the printed side.



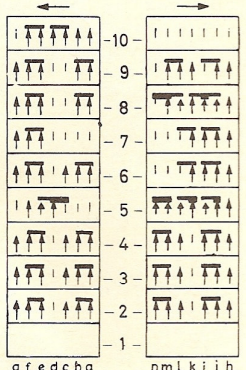
Detektorplaten sett fra foliesiden.  
The detector board seen from the printed side.



Likeretterplaten sett fra foliesiden.  
The power supply board seen from the printed side.



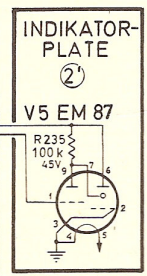
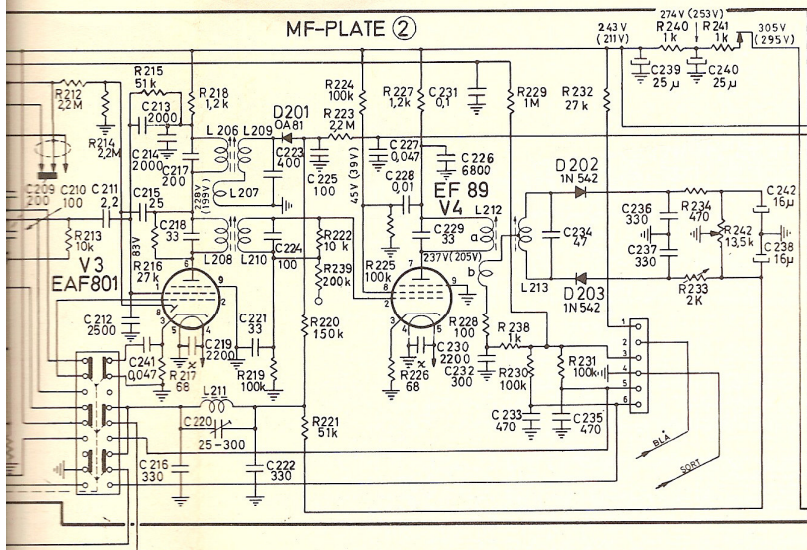
FM  
 MF-SPERRE  
 AM-FORKRETS  
 KB SW2  
 FB SW1  
 MB BC  
 LB LW  
 FJERN DISTANT  
 AFK AV AFC OFF  
 GRAM PHONO  
 BÅND TAPE  
 MONO



TRYKKNAPPVENDER NR. 10052  
 PUSH-BUTTON SWITCH NO. 10052

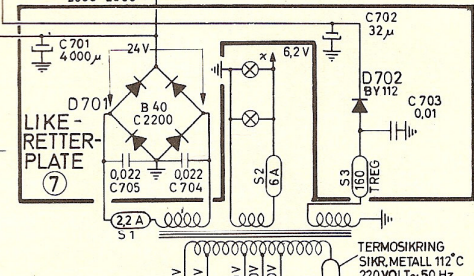
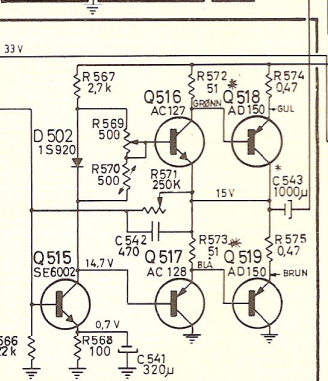
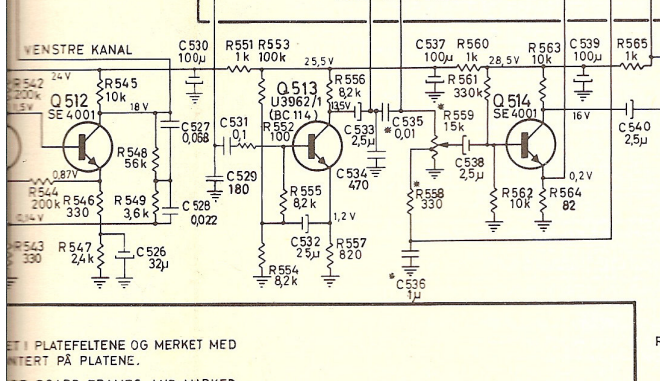
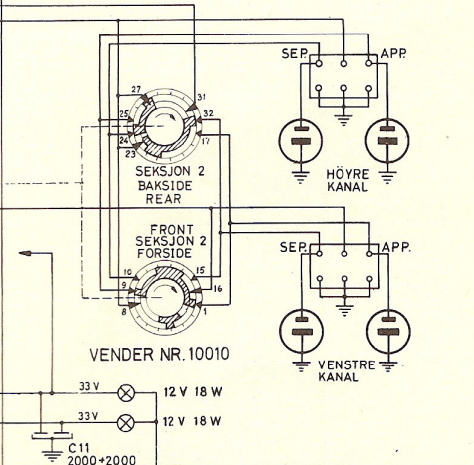
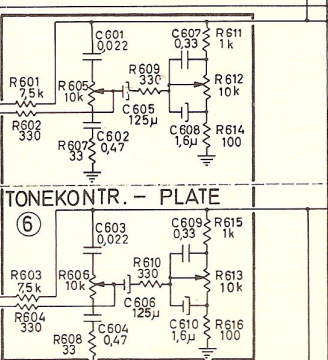
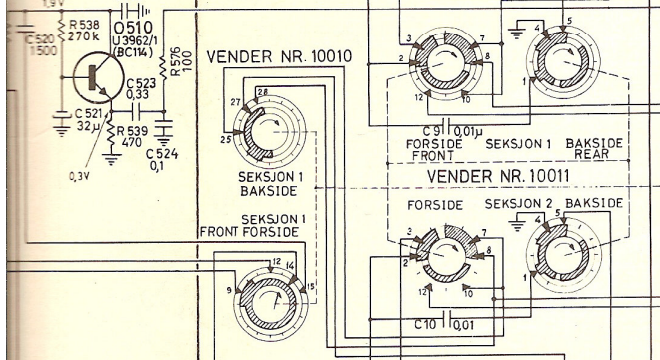
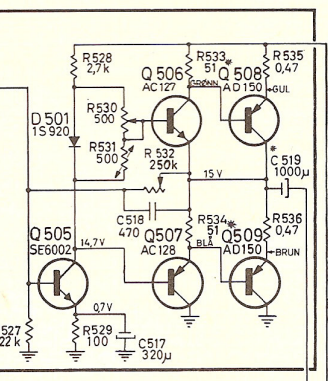
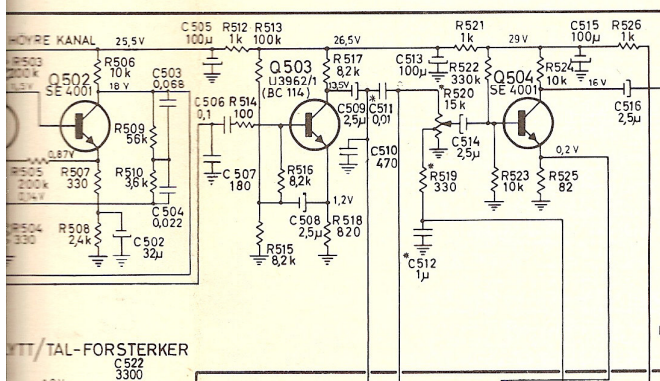
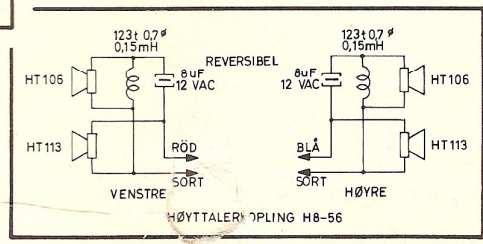
- NR 10017: FM-AM VELGER I STILLING } "AM"  
 FM-AM SELECTOR IN POSITION
- NR 10061: PICKUP VELGER I STILLING } "MAGNETIC"  
 PICKUP SELECTOR IN POSITION
- NR 10010: HÖYTTALERVELGER I STILLING } "MASTER 1  
 LOUD SPEAKER SELECTOR IN POSITION "APP. 1  
 "SEP. 2"
- NR 10011: TONEVELGER I STILLING } "HIGH FILTER"  
 TONE SELECTOR IN POSITION "MÖRK"
- NR.10052: TRYKKNAPPVENDER I STILLING: IKKE TRYKKET INN.  
 PUSH-BUTTON SWITCH IN POSITION: NOT OPERATED.

\* KOMPONENTER TEGNET I PLATEFELTENE OG MERKET MED STJERNE ER IKKE MONTERET PÅ PLATENE.  
 PARTS PLACED INSIDE BOARD FRAMES AND MARKED WITH AN ASTERISK ARE NOT MOUNTED ON ETCHED BOARDS.



## HULDRA 8

FRA SERIE NR. 426701



ET I PLATEFELTENE OG MERKET MED  
INTE RT PÅ PLATENE.

BE BOARD FRAMES AND MARKED  
ARE NOT MOUNTED ON ETCHED BOARDS.