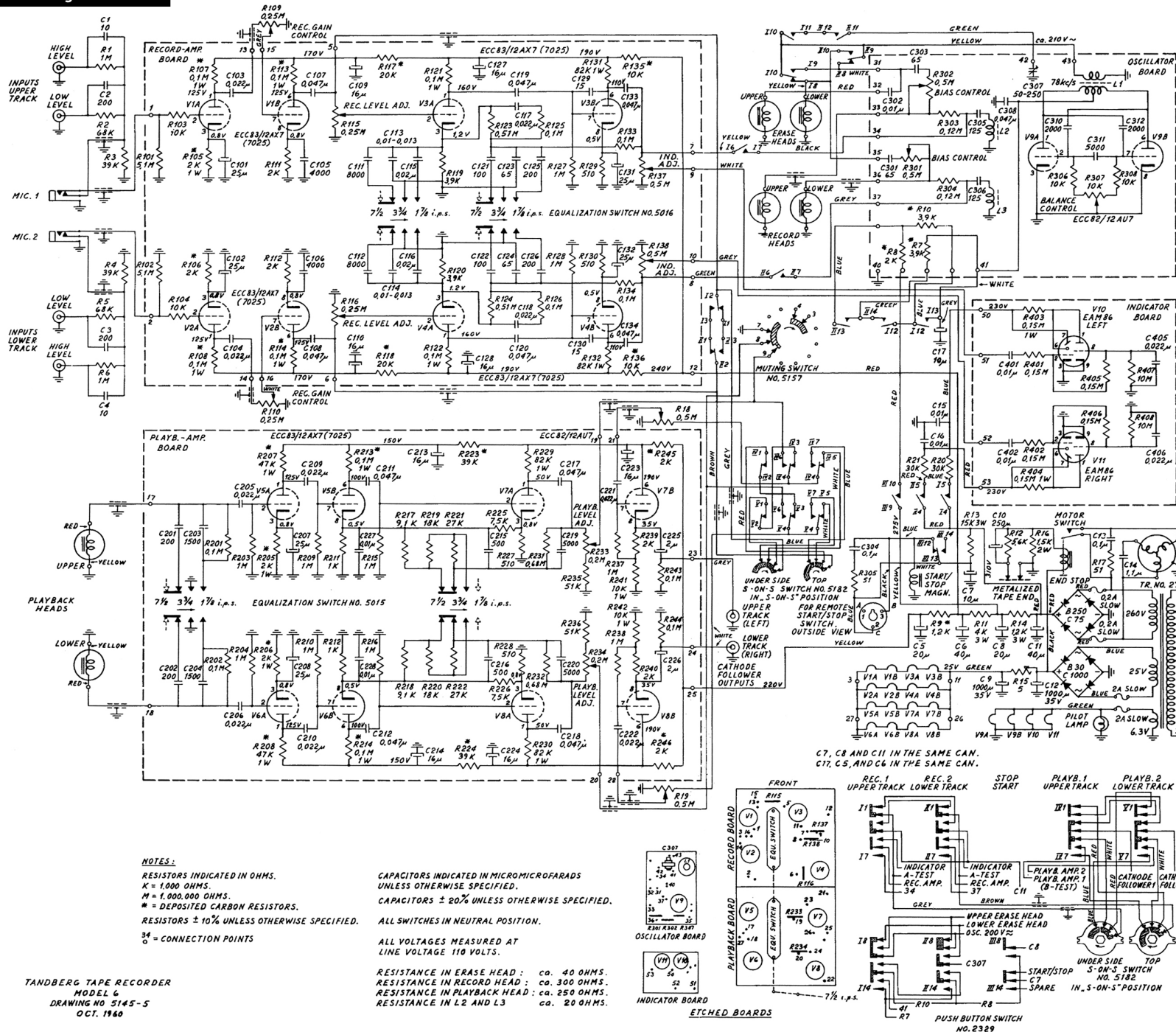


Tandberg series 6



NOTE!
THE PERIPHERAL ANGLE BETWEEN THE STATOR CONTACTS ON THE SOUND-ON-SOUND SWITCH IS 30° WHILE THE STEP ANGLE OF THE ROTOR IS ONLY 15°. THE THREE ACTUAL POSITIONS OF THE SWITCH ARE THEREFORE SHOWN BELOW



NOTES:
RESISTORS INDICATED IN OHMS.
K = 1,000 OHMS.
M = 1,000,000 OHMS.
* = DEPOSITED CARBON RESISTORS.
RESISTORS ± 10% UNLESS OTHERWISE SPECIFIED.
∅ = CONNECTION POINTS

CAPACITORS INDICATED IN MICROMICROFARADS UNLESS OTHERWISE SPECIFIED.
CAPACITORS ± 20% UNLESS OTHERWISE SPECIFIED.

ALL SWITCHES IN NEUTRAL POSITION.

ALL VOLTAGES MEASURED AT LINE VOLTAGE 110 VOLTS.

RESISTANCE IN ERASE HEAD: ca. 40 OHMS.
RESISTANCE IN RECORD HEAD: ca. 300 OHMS.
RESISTANCE IN PLAYBACK HEAD: ca. 250 OHMS.
RESISTANCE IN L2 AND L3: ca. 20 OHMS.

65 WATTS AC.
NOTE!
60C/5 MOTORPULLEY NO. 5139.
C14 = 1,1µF
50C/5 MOTORPULLEY NO. 5143.
C14 = 1,5µF

TANDBERG TAPE RECORDER
MODEL 6
DRAWING NO 5145-5
OCT. 1960

CIRCUIT DIAGRAM FROM SERIES NO 607500