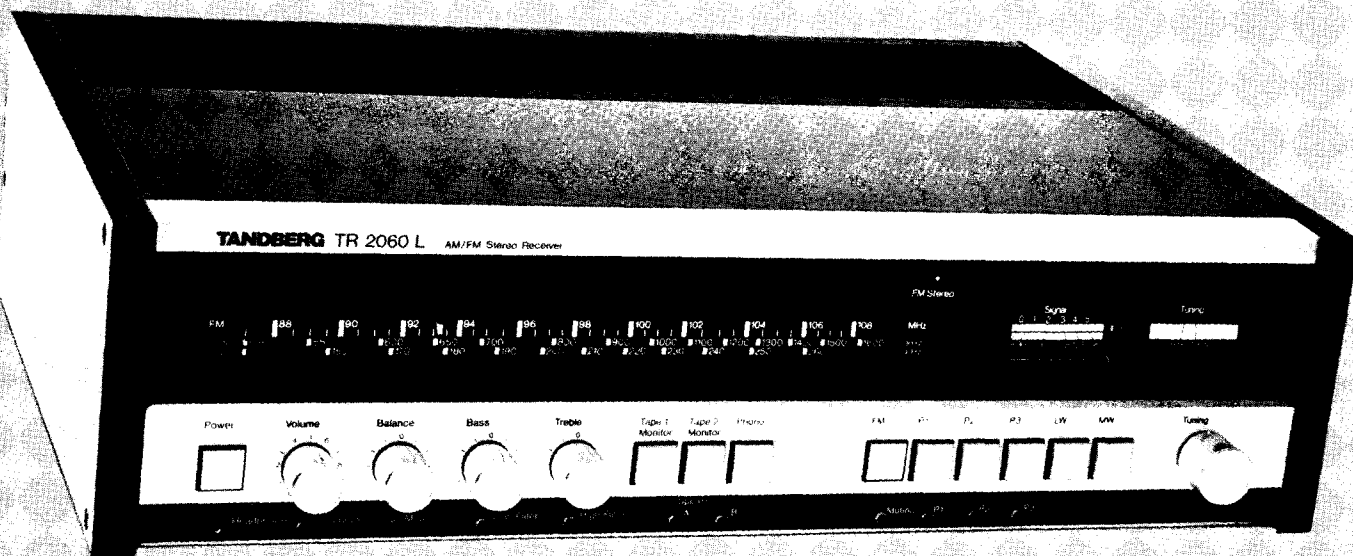


TANDBERG

TR2060/TR2060L

Illustrated Parts List



Bestilling av deler
Ved alle henvendelser, vennligst oppgi apparatets type og serienummer.
Ved bestilling av deler, oppgi bestillingsnummer og beskrivelse.

Ordering of spare parts
For all enquiries, please state the set's type and serial number.
When ordering, give the part's order number and description.

Bestillingsadresse
Kontakt nærmeste Tandberg/Radionette-kontor eller kontakt:
Tandbergs Radiofabrikk A/S
Sentral Delelager – Service
Postboks 53
N – 2007 KJELLER – Norge
Tlf: (02) 71 68 20
Telex: 18007 kurer n

Address
Contact your nearest Tandberg/Radionette office or contact:
Tandbergs Radiofabrikk A/S
Spares Department
P.O.Box 53
N – 2007 KJELLER – Norway
Tlf: (2) 71 68 20
Telex: 18007

MECHANICAL PARTS
Chassis assembly

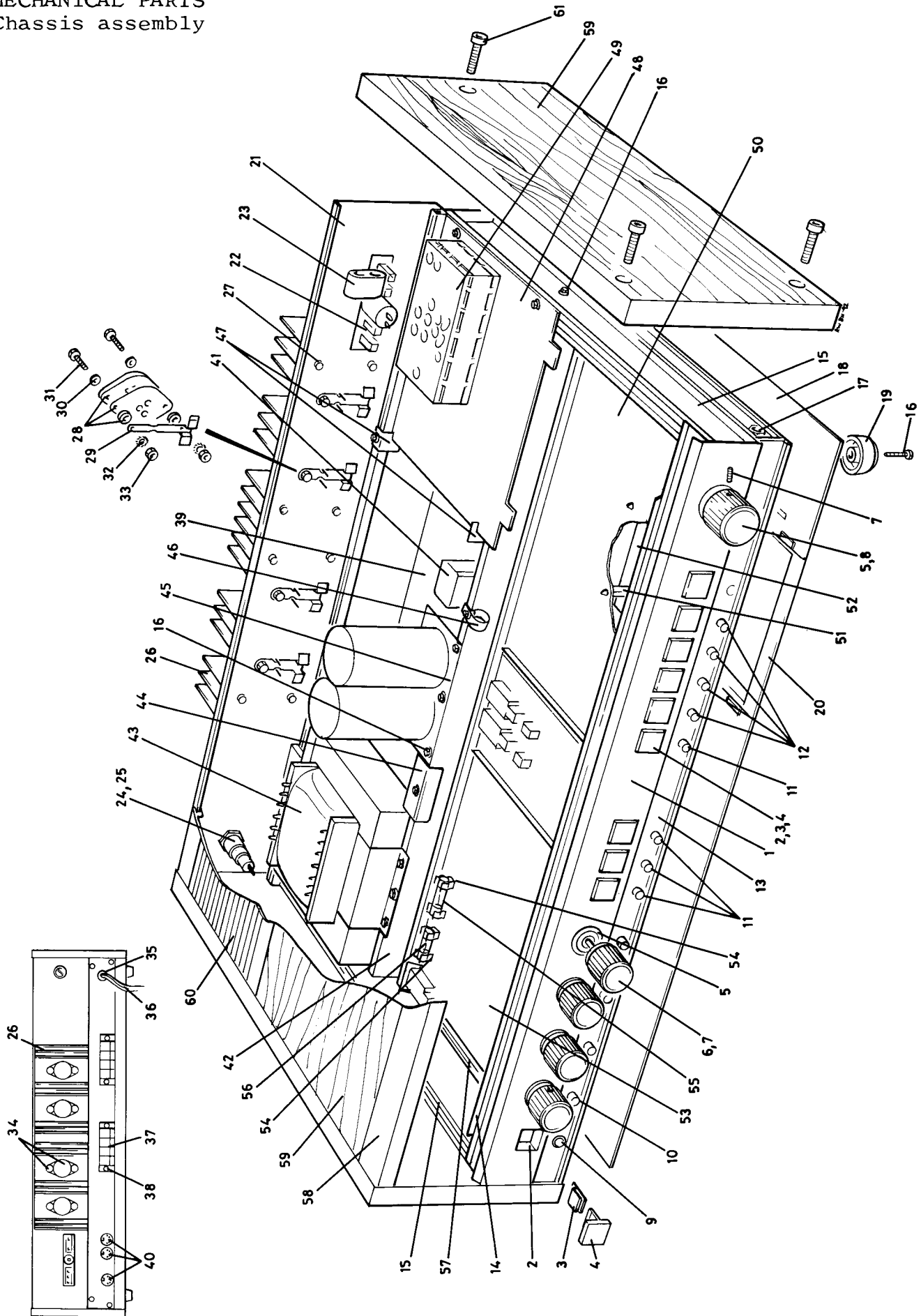


Fig.1 Chassis assembly

SPECIFY THIS WHEN ORDERING				
Index	Ordering No.	Beskrivelse (merknader)	Description (notes)	Reference
1	373089	SJASSIS-ENHET	CHASSIS ASSEMBLY	
2	343622A	SKINNE	PLATE, FRONT	
3	341589C	RAMME	SURROUND, PUSH BUTTON, PLASTIC	
4	344678	ARM	ARM, PUSH BUTTON	POWER, TAPE 1, TAPE 2, PHONO, FM, P1, P2, P3, P4, AM, LW, MW
		KNAPP	BUTTON, PUSH	
5	341941C	LAGER	BEARING, NYLON	
6	363047	KNAPP	KNOB	VOLUME, BALANCE, BASS, TREBLE
7	271705	SKRUE	SCREW, SET, 3 X 5 MM	
8	369755	KNAPP	KNOB	TUNING
9	991605	KONTAKT	SOCKET, JACK, 3 POLE 1/4 IN.	HEADPHONE
10	343270	ARM	BUTTON, PUSH, BLACK, PLASTIC	LOUDNESS, MONO, LOW FILTER, HIGH FILTER
11	349497	ARM	BUTTON, PUSH, BLACK, PLASTIC	SPEAKERS, MUTING
12	330281	POTENSIOMETER	POTENTIOMETER, 100 K OHM	P1, P2, P3, P4
13	*	LIST	MOULDING, FRONT, PLASTIC	
14	354325	PLATE	SHIELD, DIAL LIGHT, BLACK PAPER	
15	342408	SKINNE	PLATE, CHASSIS, SIDE	
16	346854	SKRUE	SCREW, 3.5 X 6.3 MM HEX HD, WITH COLLAR	
17	217280	MUTTER	NUT, 4 MM	
18	360410	PLATE	COVER, BOTTOM	
19	352421	FOT	FOOT, PLASTIC	
20	361796	LOKK	COVER, BLACK PLASTIC	
21	371056	SKINNE	PLATE, REAR	
22	312063	KONTAKT	SOCKET, ANTENNA	EUROPEAN VERSION
	317365	KONTAKTHUS	SOCKET, ANTENNA	U.S.A. VERSION
23	281001	SPOLE	COIL, BALUN	
24	363909	HOLDER	HOLDER, FUSE	
25	265736	SIKRING	FUSE, 2 A, 5 X 20 MM, SLOW	EUROPEAN VERSION
	281165	SIKRING	FUSE, 4 A, 5 X 20 MM, SLOW	U.S.A. VERSION
26	372313	SKINNE	HEATSINK	
27	345389	SKRUE	SCREW, 3.5 X 9.5 MM HEX HD, WITH COLLAR	
28		TRANSISTOR	TRANSISTOR	
29	368426	VINKEL	BRACKET, HEATSINK	
30	215320	SKIVE	WASHER, 7 X 3.2 X 0.5 MM	
31	295483	SKRUE	SCREW, M3 X 14 CH HD	
32	218609	SKIVE	WASHER, M3.2	
33	219162	MUTTER	NUT, 3 MM	
34	372191	DEKSEL	COVER, INSULATING, BLACK, WITH PLUGS	
35	281454	TUBE	TUBE, CABLE, POWER	
36	357630	LEDNING	CABLE, POWER, WITH EUROPLUG	EUROPEAN VERSION
	346388	LEDNING	CABLE, POWER	U.S.A. VERSION
37	373872	KONTAKT	TERMINAL-STRIP, SPRING LOADED, 4 WAY	SPEAKERS
38	351106	SKRUE	SCREW, 2.9 X 9.5 MM HEX HD, WITH COLLAR	
39	*	KORT	BOARD, CIRCUIT	
40	262832	KONTAKT	SOCKET, 5 PIN DIN 180 DEGREES	PHONO, TAPE 2, TAPE 1
41	344987	RELE	RELAY	
42	344089	SKINNE	PLATE, CHASSIS	
43	371573	TRANSFORMATOR	TRANSFORMER	
44	348442	BRACKET	BRACKET	
45	309901A	PLATE	BOARD	
46	360467	HOLDER	PILLAR, CIRCUIT BOARD	
47	352709	BRACKET	BRACKET, SUPPORT, BOARD	
48	994237	KORT	BOARD, FM-IF + DECODER	
49	995848	TUNER	TUNER, FM	TUNER 4
50	994251	KORT	BOARD, AM TUNER	TR 2060
	994245	KORT	BOARD, AM TUNER	TR 2060L
51	360467	HOLDER	PILLAR, CIRCUIT BOARD	
52	994241	KORT	BOARD, FM PRESET	TR 2060
	994246	KORT	BOARD, FM PRESET	TR 2060L
53	994233	KORT	BOARD, TONE CONTROL	
54	277509	HOLDER	HOLDER, FUSE	
55	310124	LAMPE	BULB, 12 V 3 W	
56	270526	SIKRING	FUSE, 800 MA, 5 X 20 MM, SLOW	F902
57	344951A	ARM	ARM, PUSH BUTTON	
58	371408	SKINNE	MOULDING, FRONT	TR 2060
	372033	SKINNE	MOULDING, FRONT	TR 2060L
59	347277	KABINETT	PANEL, ROSEWOOD	
	348958	KABINETT	PANEL, WALNUT	
	354698	KABINETT	PANEL, ASH, BLACK	
60	309132	SKINNE	PLATE, TOP	
61	358937	SKRUE	SCREW, 4 X 20 MM CH HD, BLACK	

Dial assembly

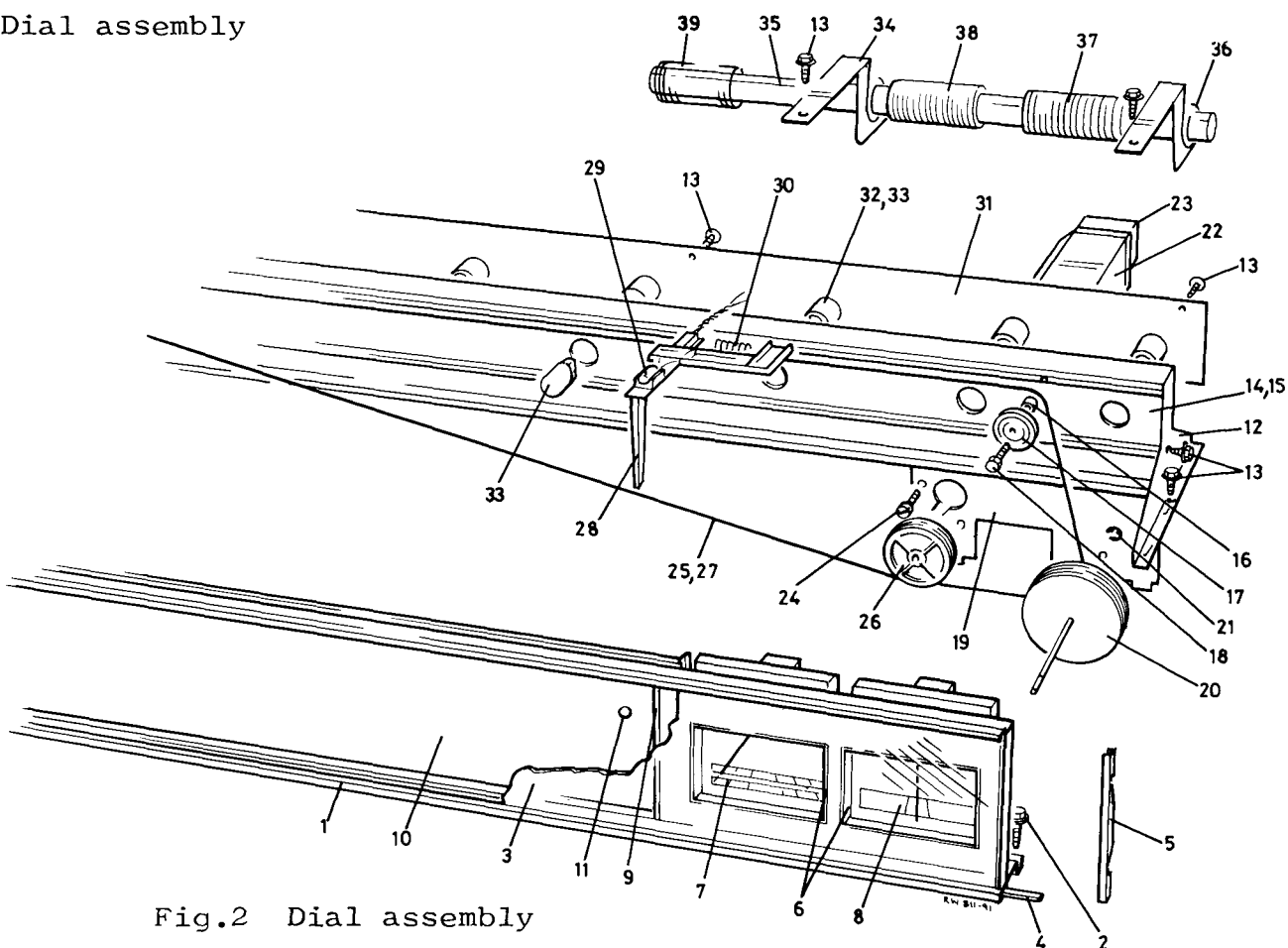


Fig.2 Dial assembly

SPECIFY THIS WHEN ORDERING				
Index	Ordering No.	Beskrivelse (merknader)	Description (notes)	Reference
1	344441	SKALA-ENHET	DIAL ASSEMBLY	
2	350402	SKINNE	PLATE, DIAL	
3	374224	SKRUE	SCREW, 3.5 X 13 MM HEX HD, WITH COLLAR	
4	356365	PLATE	SHEET, PLASTIC	
5	341388	FILT	STRIP, BLACK FELT, 520 X 3 X 3 MM	
6	341388	LIST	MOULDING, BLACK, PLASTIC	
7	305835	RAMME	SURROUND, METER, PLASTIC	
8	371523	INSTRUMENT	METER	SIGNAL
9	373556	INSTRUMENT	METER	TUNING
10	344793	LIST	MOULDING, BLACK, PLASTIC	
11	371875	PLATE	DIAL	TR 2060
12	370194	PLATE	DIAL	TR 2060L
13	352665	DIODE	DIODE, LIGHT EMITTING, RED	FM STEREO
14	340411	BRACKET	BRACKET, LIGHT BOX	
15	346854	SKRUE	SCREW, 3.5 X 6.3 MM HEX HD, WITH COLLAR	
16	994227	SKINNE	PLATE, LIGHT BOX, WITH PULLEYS (SUPPLIED WITH INDEX 15 TO 18 INCL.)	
17	344599	SKINNE	PLATE, LIGHT BOX	
18	307868	HYLSE	BUSH	
19	287501	TRINSE	PULLEY, PLASTIC	
20	214961	SKRUE	SCREW, PLATE, 5/8" NO. 4 HEX HD	
21	343341	PLATE	PLATE, TUNING CAPACITOR, PLASTIC	
22	342444	DREV	FLYWHEEL	
23	230542	SKIVE	RING, CIRCLIP, 2.3 MM	
24	840628	KONDENSATOR	CAPACITOR, VARIABLE	
25	285785	POTENSIOMETER	POTENTIOMETER, 100 K OHM	
26	277128	SKRUE	SCREW, 2.6 X 5 MM PAN HD	
27	994239	SNOR	CORD, DIAL (SUPPLIED WITH INDEX 26, 27 AND 30)	
28	343069	HJUL	WHEEL, CORD DRIVE, PLASTIC	
29	+	SNOR	CORD	
30	994229	VISER	CURSOR	
31	348714	LAMPE	BULB, 7 V 60 MA	
32	204112	FJØR	SPRING	
33	994231	KORT	BOARD, LIGHT BOX	
34	339125	HOLDER	HOLDER, BULB	
35	339599	LAMPE	BULB, 7 V 300 MA	
36	364332	BRACKET	BRACKET	
37	358938	KJERNE	ROD, FERRITE	
38	256605	LIST	MOULDING, RUBBER	
39	880342	SPOLE	COIL	
	980345	SPOLE	COIL	
	980344	SPOLE	COIL	TR 2060L

Connectors and switches

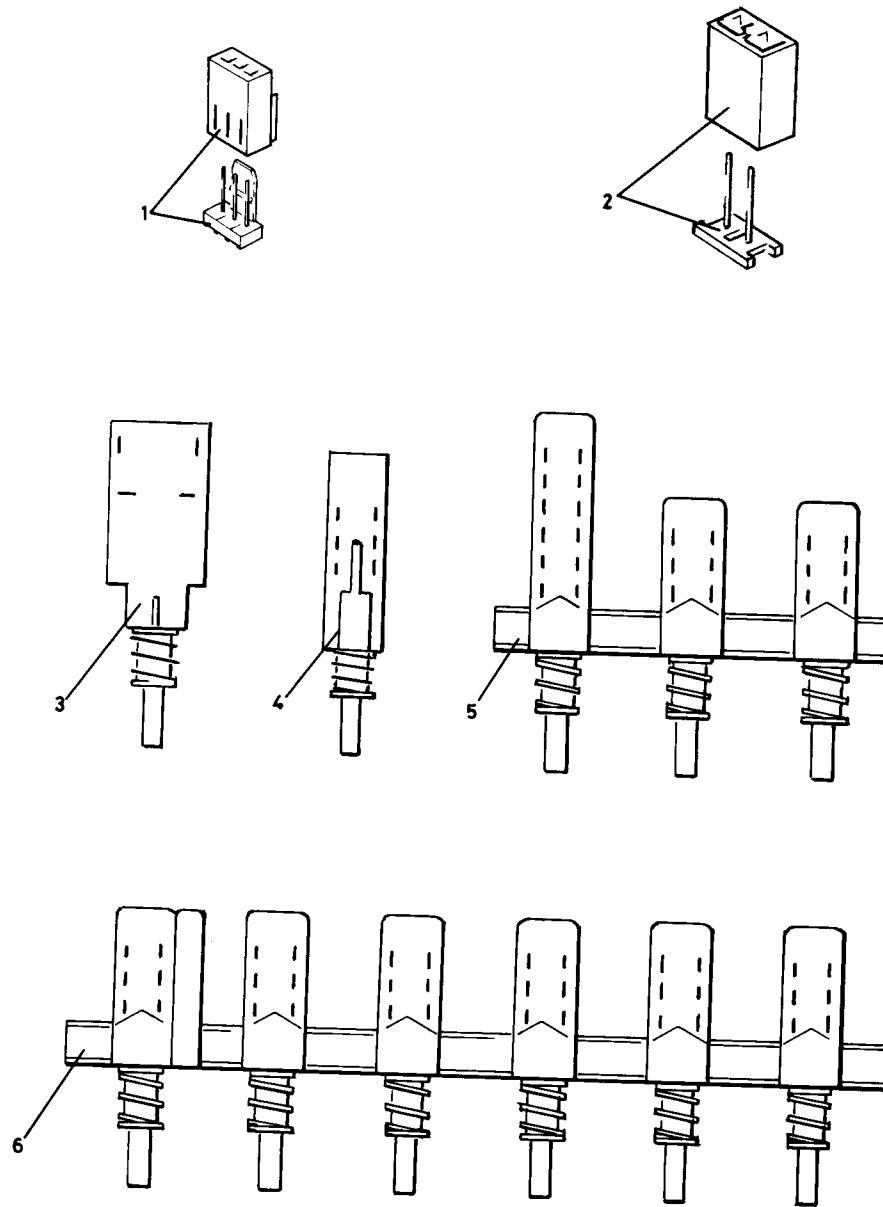


Fig.3 Connectors and switches

SPECIFY THIS WHEN ORDERING			
Index	Ordering No.	Beskrivelse (merknader)	Description (notes)
1	995818	KONTAKTER	CONNECTORS
	995819	KONTAKT	CONNECTOR, 2 POLE, SMALL
	995820	KONTAKT	CONNECTOR, 3 POLE, SMALL
	995823	KONTAKT	CONNECTOR, 4 POLE, SMALL
	995824	KONTAKT	CONNECTOR, 7 POLE, SMALL
2	995824	KONTAKT	CONNECTOR, 2 POLE, LARGE
3	370021	VENDERE	SWITCHES
	369807	VENDER	SWITCH, PUSH
4	354131	VENDER	SWITCH, PUSH
			SWITCH, PUSH
5	364396	VENDER	SWITCH, PUSH
6	362715	VENDER	SWITCH, PUSH

POWER
 SPEAKERS
 LOUDNESS, MONO, MUTING,
 LOW FILTER, HIGH FILTER
 TAPE 1, TAPE 2, PHONO
 FM, P1, P2, P3, P4, AM, MW, LW

ELECTRICAL PARTS:**Capacitors / Kondensatorer**

Index	Ordering No.	Description	Beskrivelse
C774, C778	371250	10,000 uF 50 V	10.000 uF 50 V

Diodes / Dioder

Index	Ordering No.	Description	Beskrivelse
CR711-714, 721	289851	BA219	BA219

Integrated circuits / Integreerte kretser

Index	Ordering No.	Description	Beskrivelse
U201-202	339606	703 HC	703 HC
U203	349757	TDA 1047	TDA 1047
U301	355497	TDA 1046	TDA 1046
U801	293594	MC 1310P/TYA 193	MC 1310/TYA 193

Resistors / Motstander

Index	Ordering No.	Description	Beskrivelse
R230	363132	100 ohms MET. oxide 2 w	100 ohm MET. oksyd 2 w
R247	319318	6.81 kohms MET. film 1%	6,81 kohm MET. film 1%
R749-752	372931	0.68 ohms wire 5 w 10%	0,68 ohm tråd 5 w 10%
R753-756	365995	10 ohms MET. oxide 2 w	10 ohm MET. oksyd 2 w
R803	306129	16.2 kohms MET. film 1%	16,2 kohm MET. film 1%

Filters / Filter

Index	Ordering No.	Description	Beskrivelse
CF1-CF3	350097	10.7 MHz CFSA/CFSE	10,7 MHz CFSA/CFSE
CF301-2	359211	FP2S26 455 kHz	FP2S26 455 kHz

