

6

5

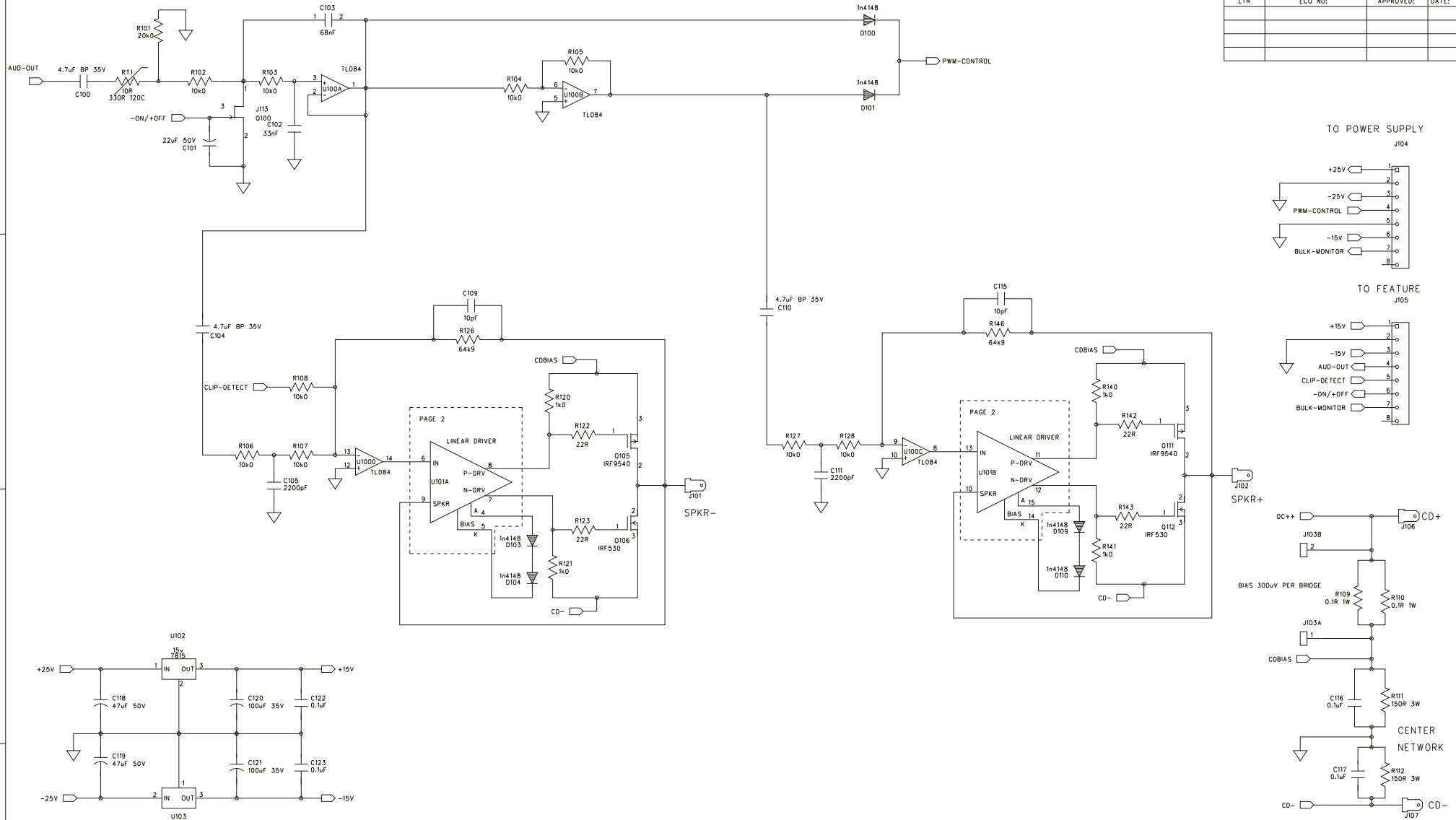
4

3

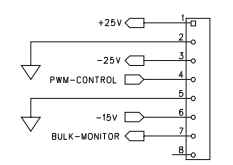
2

1

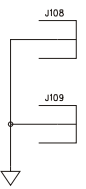
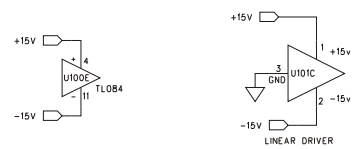
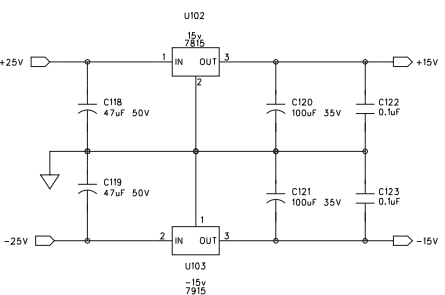
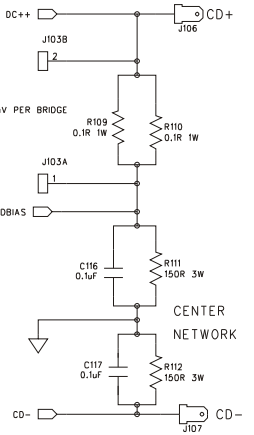
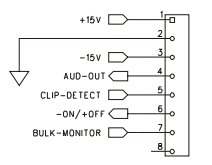
REVISION RECORD			
LTR	ECO NO:	APPROVED:	DATE:



TO POWER SUPPLY



TO FEATURE



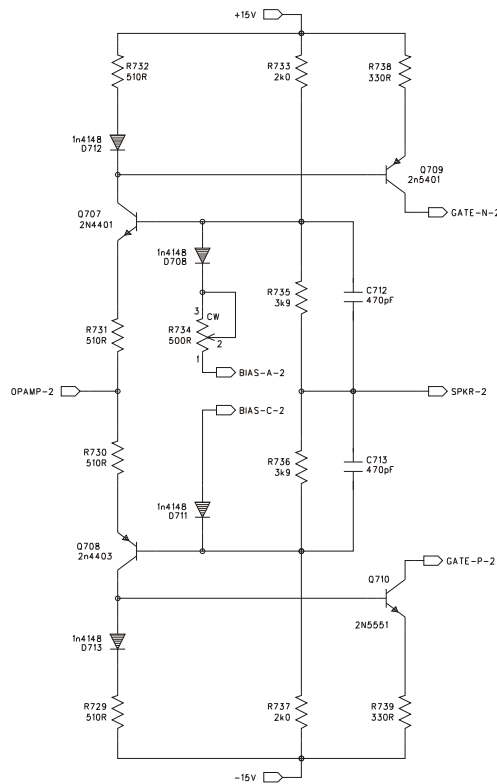
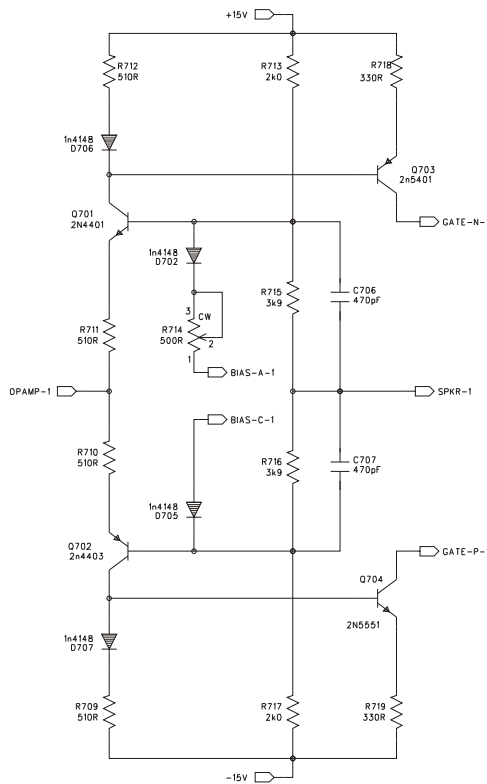
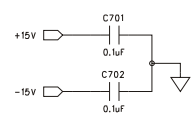
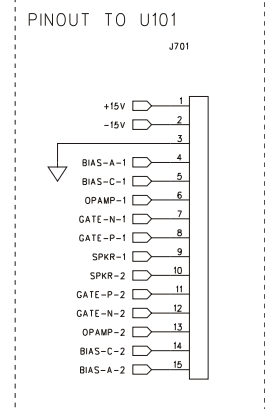
TITLE: **HC BASH LINEAR AMPLIFIER**

This drawing and data embody proprietary designs and information, which is the confidential property of Indigo Manufacturing Inc. None of which shall be copied, reproduced, disclosed to others, proposed or used in whole or in part, for any purpose without express written permission of a duly authorized agent of Indigo Manufacturing Inc. This drawing is subject to recall by Indigo Manufacturing at any time, it is being submitted in confidence, and patent rights are reserved by Indigo Manufacturing Inc.

INDIGO
INDIGO Manufacturing Inc.
165 Steelcase Road East
Markham, ON, L3R 1G1

DRAWN: Jefazko Balchvarov	DATED: Sept.20.2002	PCB: 650038	SIZE:	DRAWING NO: SH0294	REV: 1
CHECKED:	DATED:	SCALE:		SHEET: 1 OF 3	
QUALITY CONTROL:	DATED:				
RELEASED:	DATED:				

REVISION RECORD			
LTR	ECD NO:	APPROVED:	DATE:



TITLE:
HC BASH 200W LIN1010

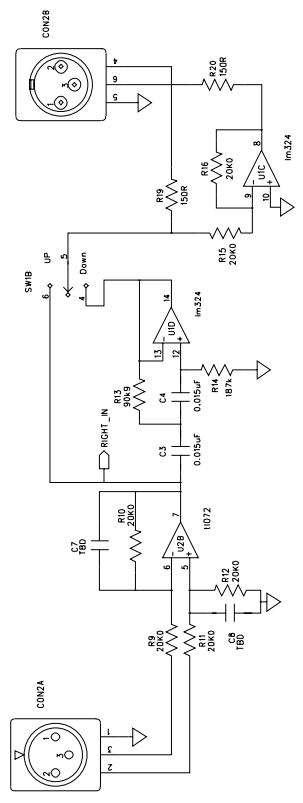
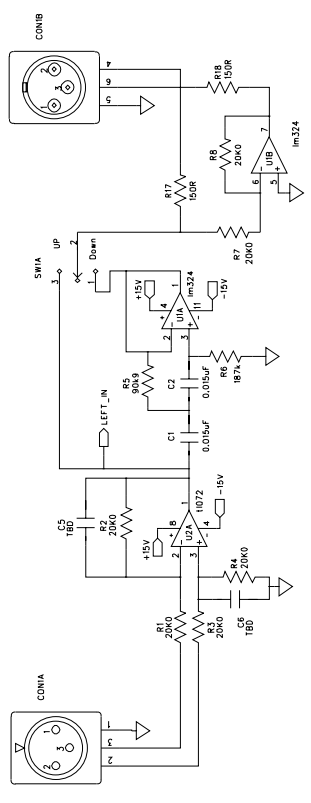
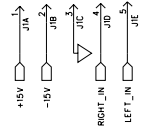
This drawing and data embody proprietary designs and information, which is the confidential property of Indigo Manufacturing Inc. None of which should be copied, reproduced, disclosed to others, prepared or used in whole or in part, for any purpose without express written permission of a duly authorized agent of Indigo Manufacturing Inc. This drawing is subject to recall by Indigo Manufacturing at any time. It is being submitted in confidence, and patent rights are reserved by Indigo Manufacturing Inc.

INDIGO
 INDIGO Manufacturing Inc.
 165 Steelcase Road East
 Markham, ON, L3R 1G1

DRAWN: Mark Chen	DATED: MAR.01.2002
CHECKED:	DATED:
QUALITY CONTROL:	DATED:
RELEASED:	DATED:

PCB: 650038	SIZE:	DRAWING NO: SH0294	REV: 1
SCALE:		SHEET: 2 OF 3	

REVISION RECORD		DATE:
LTR	ECO NO.:	Apr03
	APPROVED:	



TITLE: TANNAY XLR (HP SELECT)		INDIGO
DRAWN: AL		INDIGO Manufacturing Inc. 18777 18th Avenue, North Maplewood, ON, L4R 1G1
CHECKED:	DATE: April 103	DRAWING NO: SH0340
QUALITY CONTROL:	DATE:	REV: A
RELEASED:	DATE:	SCALE: 1 OF 1

This drawing and data remain proprietary designs and information which is the confidential property of Indigo Manufacturing Inc. and shall not be disclosed, copied, reproduced, or used in whole or in part, for any purpose without the written consent of Indigo Manufacturing Inc. This drawing is subject to recall by Indigo Manufacturing Inc. without notice. All dimensions, tolerances, and material specifications are reserved by Indigo Manufacturing Inc.

6

5

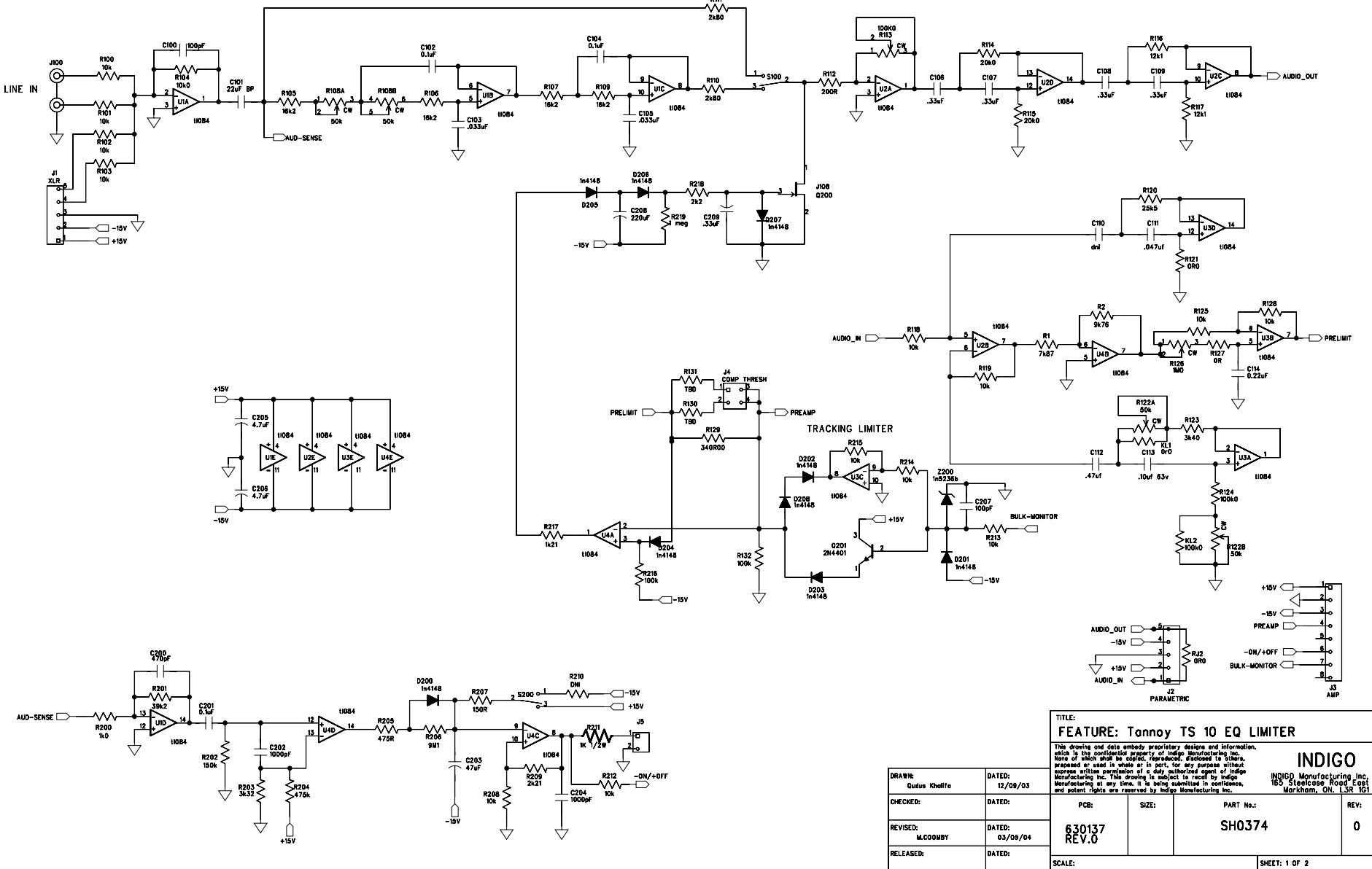
4

3

2

1

REVISION RECORD			
LTR	ECO NO.	APPROVED:	DATE:
	SEE SHEET 2		



DRAWN: Dustin Kholife		DATED: 12/09/03		TITLE: FEATURE: Tannoy TS 10 EQ LIMITER <small>This drawing and data embody proprietary designs and information, which is the confidential property of Indigo Manufacturing Inc. None of which shall be copied, retransmitted, disclosed to others, prepared or used in whole or in part, for any purpose without express written permission of a duly authorized agent of Indigo Manufacturing Inc. This drawing is subject to recall by Indigo Manufacturing at any time. It is being submitted in confidence, and patent rights are reserved by Indigo Manufacturing Inc.</small>	
CHECKED: MCCOYBY		DATED: 03/05/04		INDIGO <small>INDIGO Manufacturing Inc. 165 Steeles Road East Markham, ON, L3R 1G1</small>	
REVISED:		DATED:		PCB: 630137 REV.0	PART No.: SH0374
RELEASED:		DATED:		SCALE: 	REV: 0
				SHEET: 1 OF 2	

6

5

4

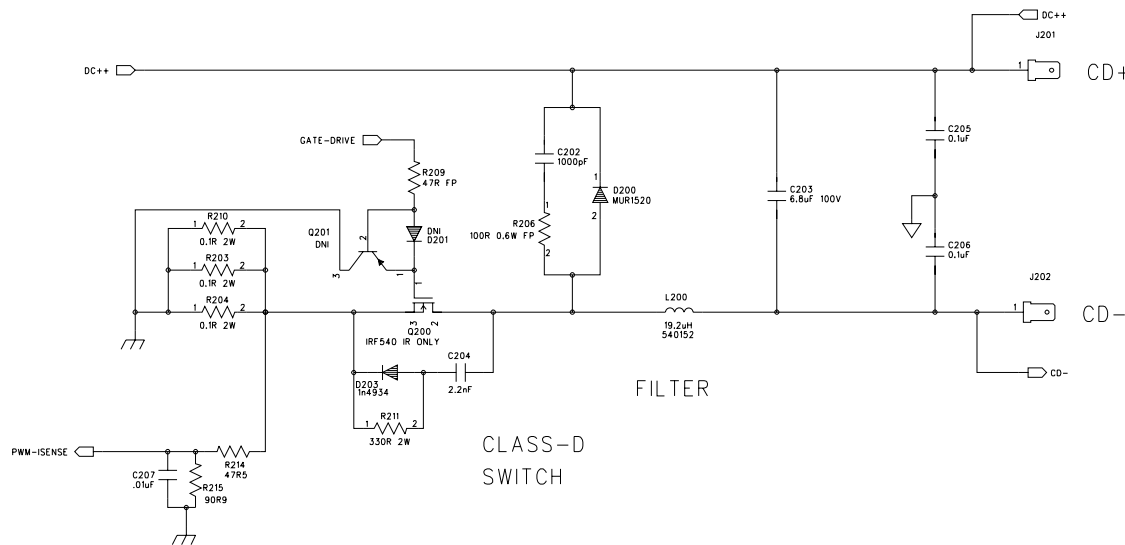
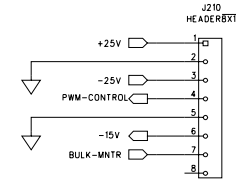
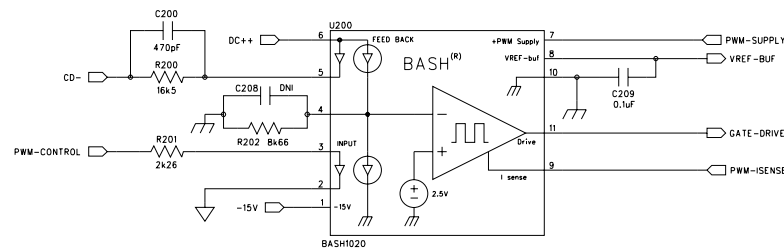
3

2

1

REVISION RECORD			
LTR	ECO NO:	APPROVED:	DATE:

TO LINEAR BOARD



TITLE:
300W PS BUCK CONVERTER

This drawing and data embody proprietary designs and information, which is the confidential property of Indigo Manufacturing Inc. None of which shall be copied, reproduced, disclosed to others, proposed or used in whole or in part, for any purpose without express written permission of a duly authorized agent of Indigo Manufacturing Inc. This drawing is subject to recall by Indigo Manufacturing at any time, it is being submitted in confidence, and patent rights are reserved by Indigo Manufacturing Inc.

INDIGO
 INDIGO Manufacturing Inc.
 165 Steelcase Road East
 Markham, ON, L3R 1G1

DRAWN: Dudus Khalifa	DATED: AUG.29.02
CHECKED:	DATED:
REVISED: M.Coombey	DATED: 03/05/04
RELEASED:	DATED:

PCB: 600109 Rev.2	SIZE:	DRAWING NO: SH0393	REV: 1
SCALE:		SHEET: 1 OF 3	

6

5

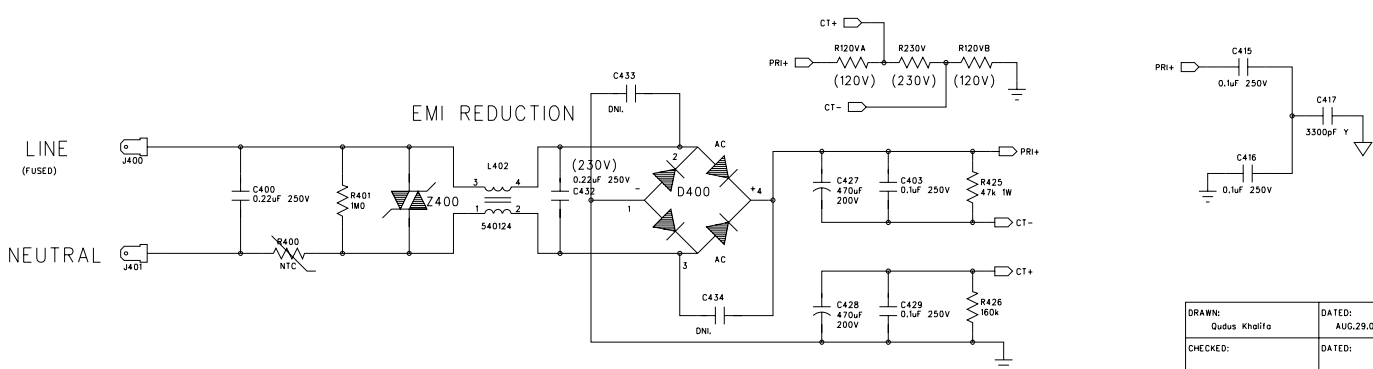
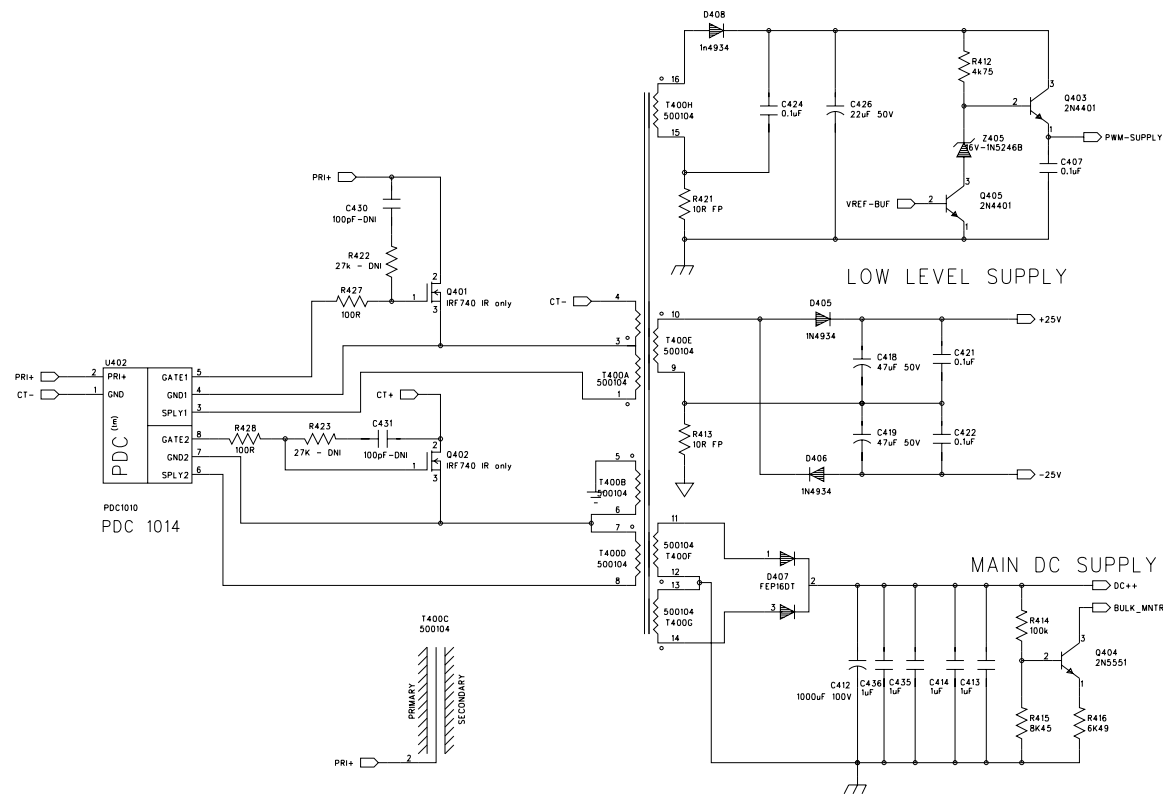
4

3

2

1

REVISION RECORD			
LTR	ECCO NO:	APPROVED:	DATE:



DRAWN: Dudus Khalifa		DATED: AUG.29.02	
CHECKED:		DATED:	
QUALITY CONTROL: M.Coombey		DATED: 03/05/04	
RELEASED:		DATED:	
TITLE: 300W PS		AC-DC CONVERTER	
<small>This drawing and data embody proprietary designs and information, which is the confidential property of Indigo Manufacturing Inc. None of which shall be copied, reproduced, disclosed to others, processed or used in whole or in part, for any purpose without express written permission of a duly authorized agent of Indigo Manufacturing Inc. This drawing is subject to recall by Indigo Manufacturing Inc. and patent rights are reserved by Indigo Manufacturing Inc.</small>			
INDIGO		INDIGO Manufacturing Inc. 165 Steelcase Road East Markham, ON, L3R 1G1	
PCB: 600109 Rev.2	SIZE:	DRAWING NO: SH0393	REV: 1
SCALE:		SHEET: 2 OF 3	

D

C

B

A

D

C

B

A

6

5

4

3

2

1

Rev.	Date	ECR No.	APPROVED	DESCRIPTION	Rev.	Date	ECR No.	APPROVED	DESCRIPTION
0	NOV.7.02		Jeliazko	Modified from SH0302 Rev.0					
				Bulk monitor adjusted					
1	Jan.13,2003		Jeliazko	BASH1013; PDC1014; R201,209,211; C203427,428; L200; Q401,402 - IRonly					
2	Feb.1,2003		Jeliazko	PDC snubber modified and gate resistors added to Q401,402					
				C208,209,433,434 added; C401 - deleted					
3	Feb.24,2003		Jeliazko	Q1 to Q20; L200 - 540152; U200 - BASH1015; C433,434 - DNI.					
4	April 4,2003		Jeliazko	C417 changed to 1nF					
4	April 29,2003		Jeliazko	R401 changed to 1M0					
	NOV.6.03		M.COOMBY	CHANGED FROM SH0295-6 TO SH0393					
0	NOV.6.03		M.COOMBY	CHANGED: R416 TO 6K49					
1	03/04/04		M.COOMBY	CHANGED C207 TO .01UF CHANGED TO C417 TO 3300pF CHANGED D407 TO FEP16DT CHANGED D405,D406 TO 1N4934 CHANGED FROM SH0295-6 TO SH0393 CHANGED D201 TO 0R0 CHANGED R209 TO 47R					

D

D

C

C

B

B

A

A

TITLE:			CHANGE HISTORY		
<small>This drawing and data embody proprietary designs and information, which is the confidential property of Indigo Manufacturing Inc. None of which shall be copied, reproduced, disclosed to others, processed or used in whole or in part, for any purpose without express written permission of a duly authorized agent of Indigo Manufacturing Inc. This drawing is subject to recall by Indigo Manufacturing at any time. It is being submitted in confidence, and patent rights are reserved by Indigo Manufacturing Inc.</small>					
PCB:		DRAWING NO.:		REV.:	
600109		SH0393		1	
Rev.2					
SHEET: 3 OF 3					

6

5

4

3

2

1