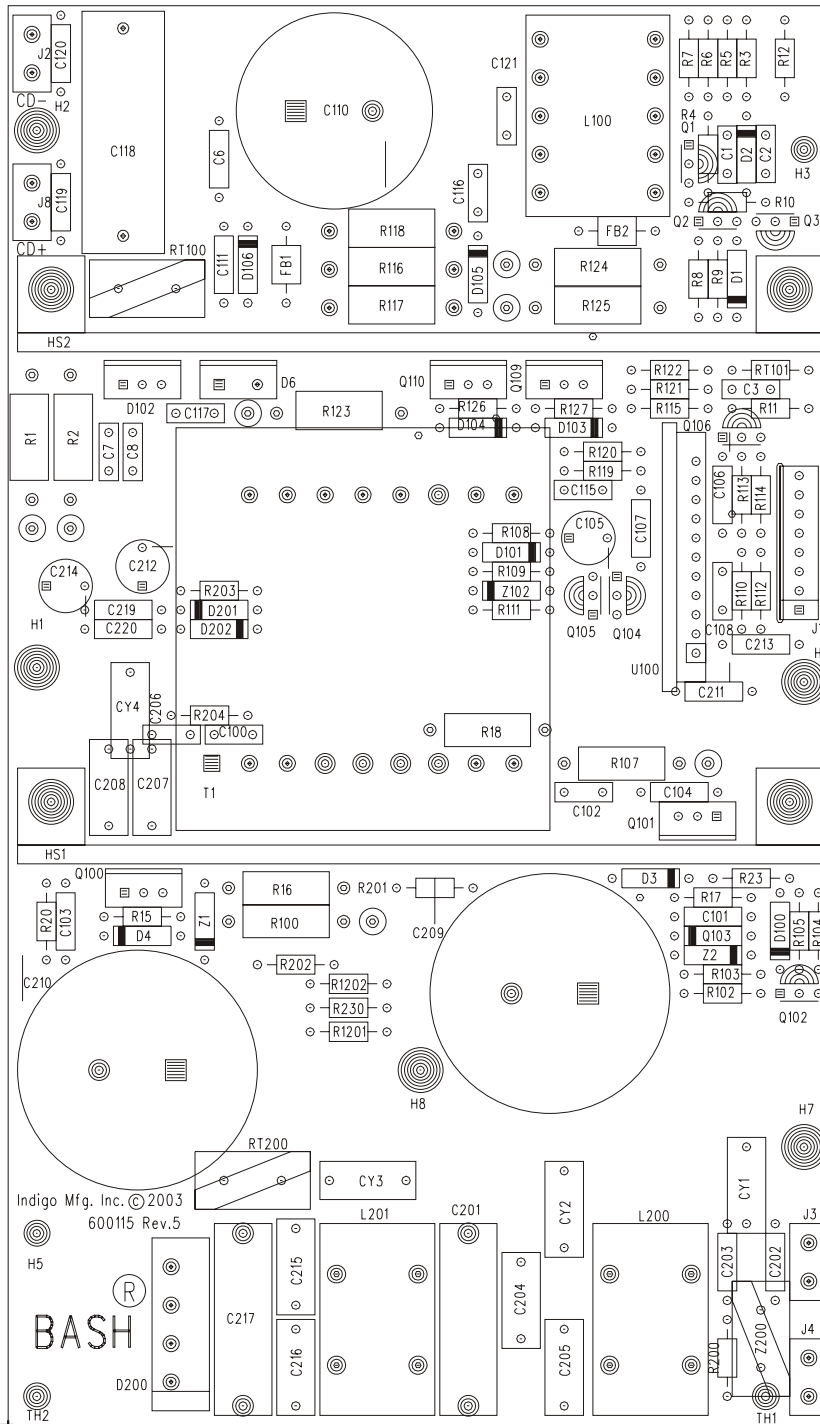




4.300"



7.400"



0.000"



0.000"



THB

CONFIDENTIAL

This drawing and data embody proprietary designs and information, which is the confidential property of Indigo Manufacturing Inc. None of which shall be copied, reproduced, disclosed to others, proposed or used in whole or in part, for any purpose without express written permission of a duly authorized agent of INDIGO Manufacturing Inc. This drawing is subject to recall by Indigo Manufacturing at any time. It is being submitted in confidence, and patent rights are reserved by Indigo Manufacturing Inc.

INDIGO
 INDIGO Manufacturing Inc.
 165 Steelcase Road East
 Markham, ON L3R 1G1 Canada

**PROPERTY OF
 SONAVOX CANADA**

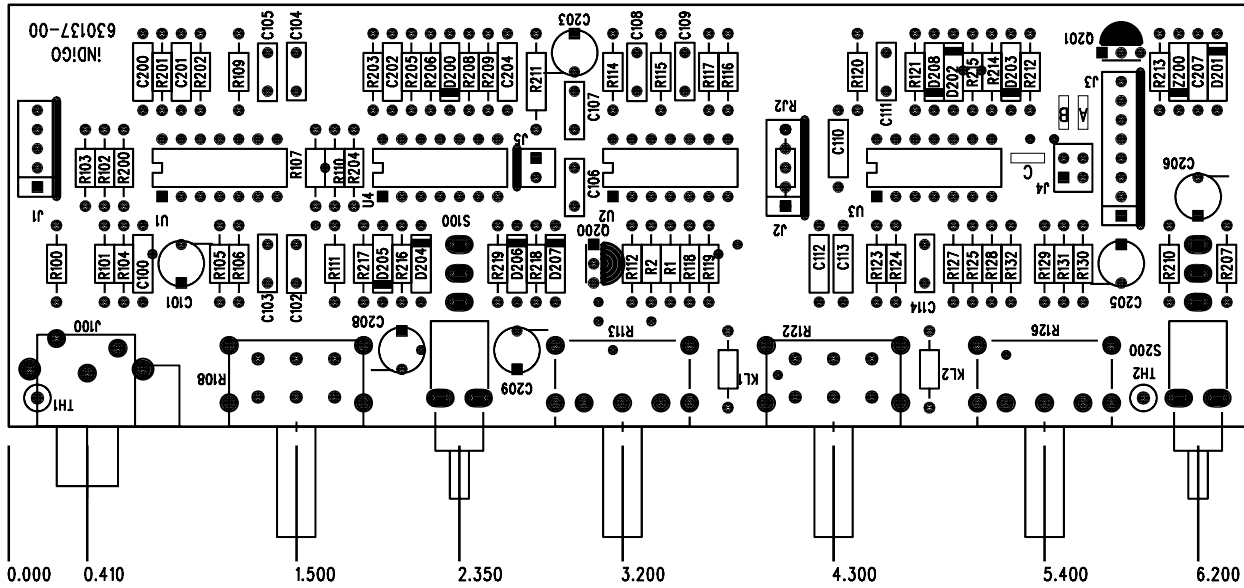
MAIN BOARD - HC BASH 500W		
INDIGO part number:	Revision:	Date:
600115	5	Jan. 11, 2004

CONFIDENTIAL

PROPERTY OF
SONAVOX CANADA

2.200

0.000



INDIGO CONFIDENTIAL

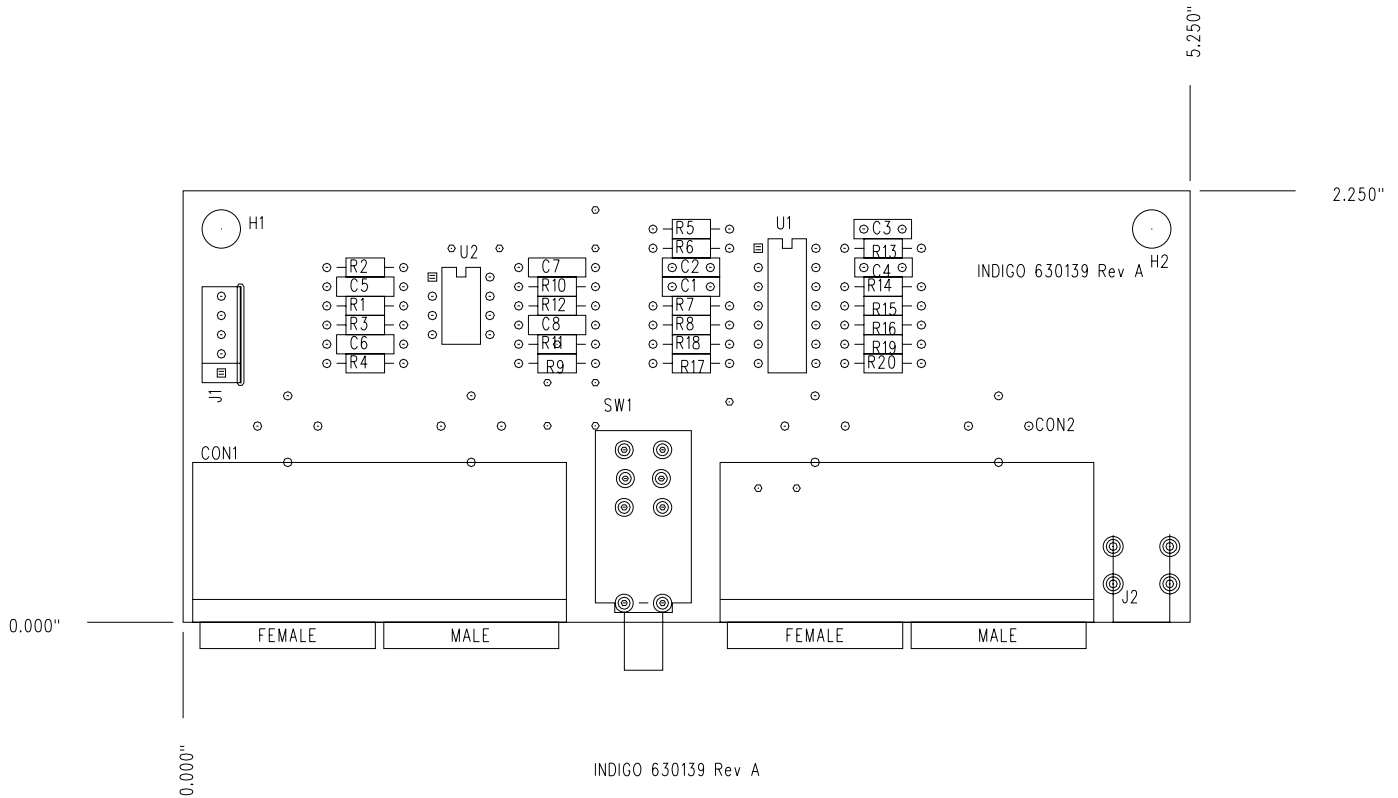
REPRODUCTION OR ISSUE TO 3RD
PARTIES IS PROHIBITED

This drawing and data embody proprietary designs and information, which is the confidential property of Indigo Manufacturing Inc. None of which shall be copied, reproduced, disclosed to others, proposed or used in whole or in part, for any purpose without express written permission of a duly authorized agent of Indigo Manufacturing Inc. This document is subject to recall by Indigo Manufacturing at any time. It is being submitted in confidence, and patent rights are reserved by Indigo Manufacturing Inc.

Copyright 2002 Indigo Manufacturing Inc., Markham, Ontario Canada

TANNQY Feature Board

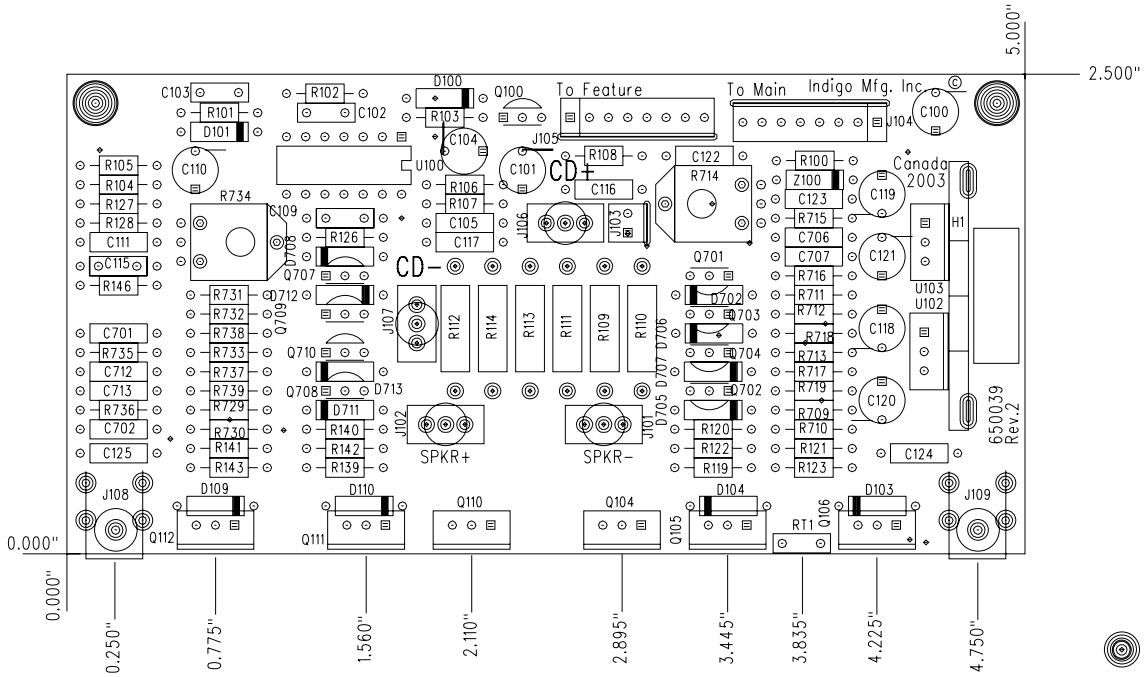
INDIGO part number: 630137	Revision: 0	Date: 15/10/03
-------------------------------	----------------	-------------------



<small>This drawing and data embody proprietary designs and information, which is the confidential property of Indigo Manufacturing Inc. None of which shall be copied, reproduced, disclosed to others, proposed or used in whole or in part, for any purpose without express written permission of a duly authorized agent of INDIGO Manufacturing Inc. This drawing is subject to recall by Indigo Manufacturing at any time. It is being submitted in confidence, and patent rights are reserved by Indigo Manufacturing Inc.</small>		INDIGO INDIGO Manufacturing Inc. 165 Steelcase Road East Markham, ON L3R 1G1 Canada	
XLR HP SELECT			
INDIGO part number:	Revision:	Date:	
630139	A	April 2, 2003	

CONFIDENTIAL

PROPERTY OF
SONAVOX CANADA



INDIGO CONFIDENTIAL
 REPRODUCTION OR ISSUE TO 3RD
 PARTIES IS PROHIBITED

This drawing and data embody proprietary designs and information,
 which is the confidential property of Indigo Manufacturing Inc.
 None of which shall be copied, reproduced, disclosed to others,
 proposed or used in whole or in part, for any purpose without
 express written permission of a duly authorized agent of
 Indigo Manufacturing Inc. This document is subject to recall by
 Indigo Manufacturing at any time. It is being submitted in
 confidence, and patent rights are reserved by Indigo
 Manufacturing Inc.

Copyright 2001 Indigo Manufacturing Inc., Markham, Ontario Canada

Linear Amplifier 500W

INDIGO part number: 650039	Revision: 2	Date: Oct. 16, 2003
-------------------------------	----------------	------------------------

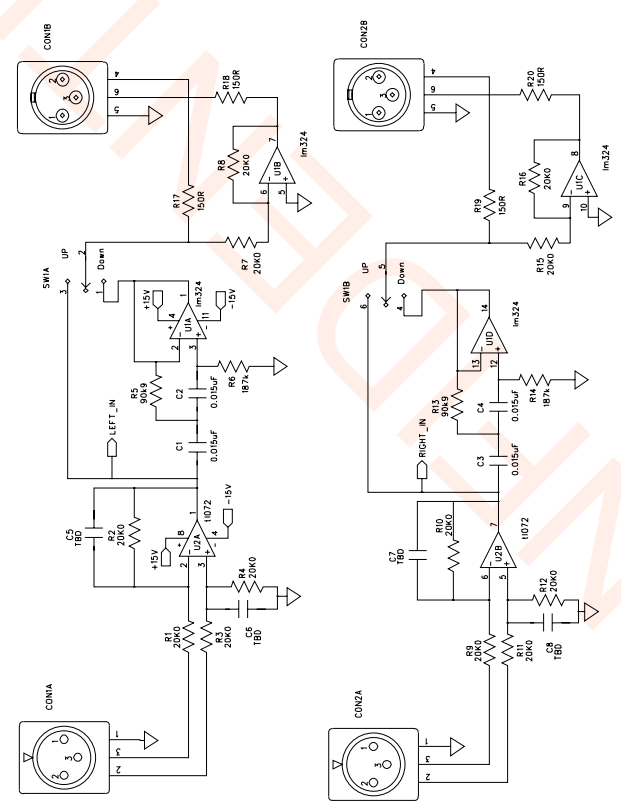
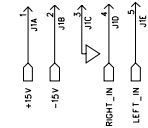
**PROPERTY OF
SONAVOX CANADA**

CONFIDENTIAL

6 5 4 3 2 1

D C B A

REVISION RECORD	
LTR	ECO NO:
	APPROVED:
	DATE:
	PERIOD:

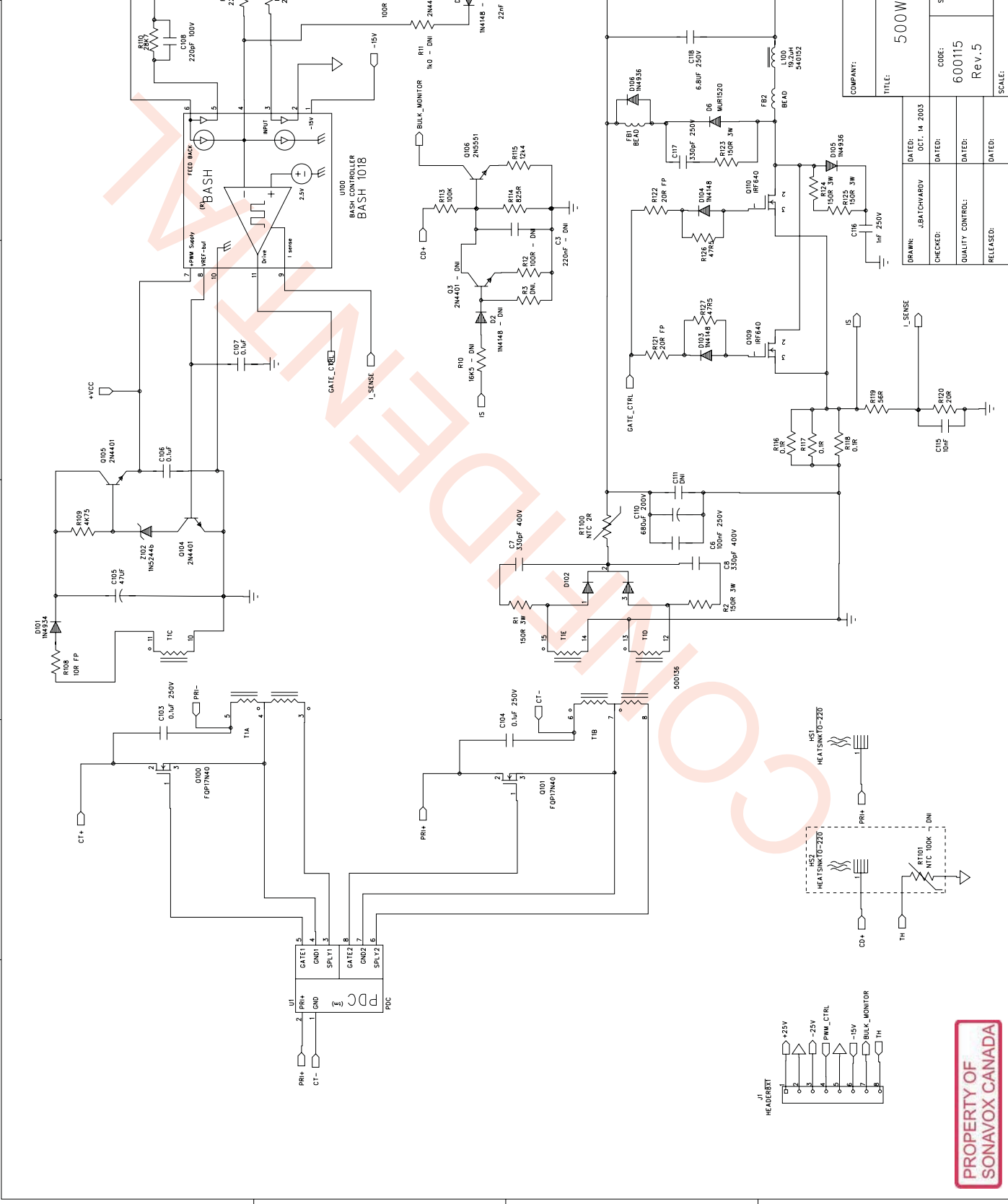


PROPERTY OF SONAVOX CANADA

TITLE: TANNY XLR (HP SELECT)	
INDICO	
INDICO Manufacturing Inc. 100 Markham, ON L3R 9G1	
DATE: April 1, 2003	DATE:
DRAWN: AL	DRAWING NO: SH0340
CHECKED:	REV: A
QUALITY CONTRL:	SCALE: 1 OF 1
RELEASED:	

This drawing and data are the property of Indigo Manufacturing Inc. and are not to be used, copied, or reproduced in any form without the written permission of Indigo Manufacturing Inc. This drawing is subject to recall by Indigo Manufacturing Inc. without notice. Indigo Manufacturing Inc. and patent rights are reserved by Indigo Manufacturing Inc.

REVISION RECORD		APPROVED:	DATE:
LTR	ECD NO:		

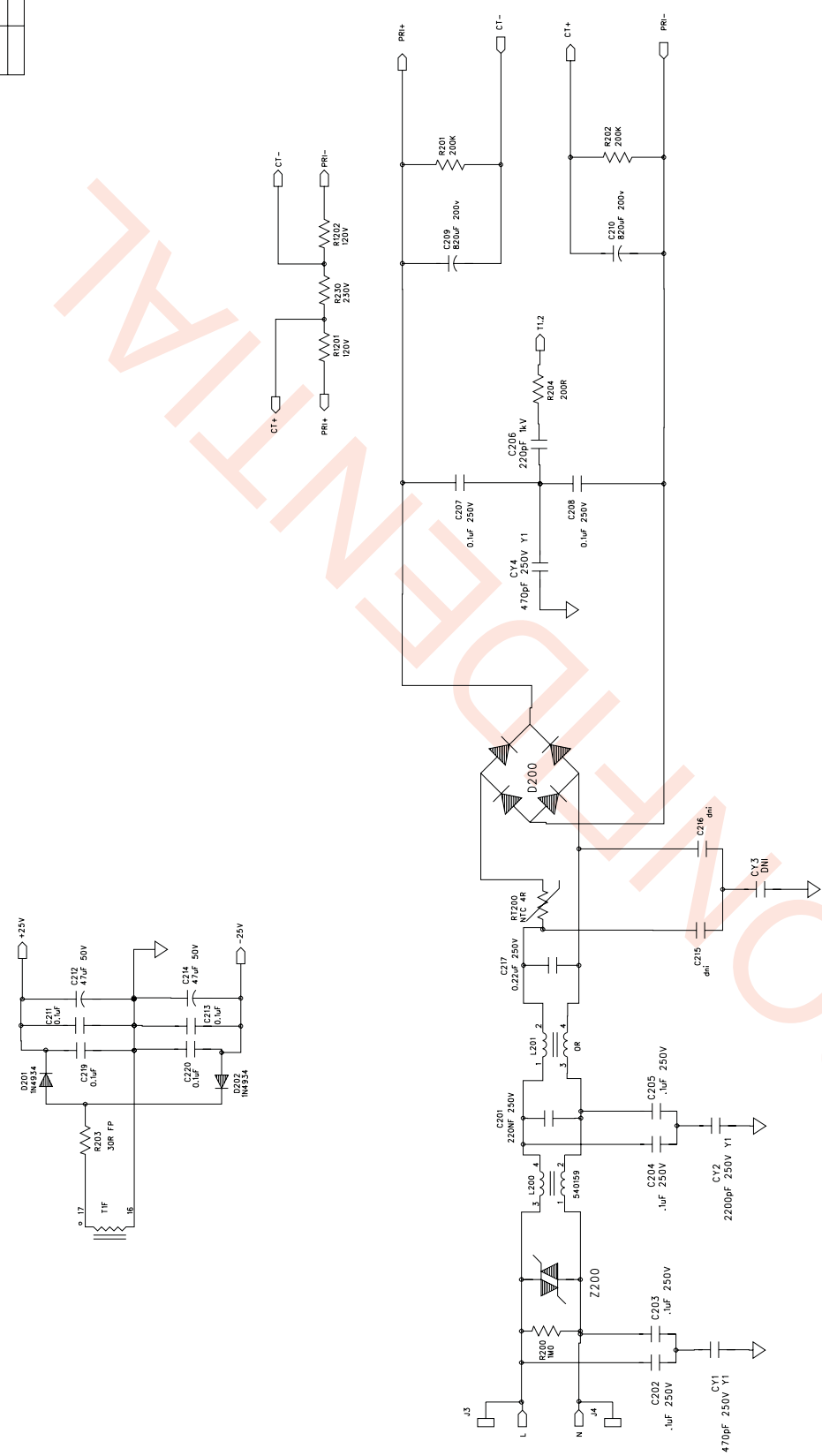


COMPANY:		TITLE:	
DRAWN: JBATCHAROV		500W POWER SUPPLY	
DATE: OCT. 14, 2003	DATE:	CODE: 600115	DRAWING NO: SH0387
CHECKED:	DATE:	SIZE: Rev.5	REV: 3
QUALITY CONTROL:	DATE:	RELEASED:	SCALE: SHEET: 1 OF 3

HEADERTXT	25V	25V	PWM_CTRL	-15V	BULK_MONITOR
CD+	CD-	CD+	CD-	CD-	TH
HS2	HS1	HS1	HS1	HS1	HS1
HEAT SINK TO 220	HEAT SINK TO 220	HEAT SINK TO 220	HEAT SINK TO 220	HEAT SINK TO 220	HEAT SINK TO 220
RT101	RT101	RT101	RT101	RT101	RT101
NTC 100K	NTC 100K	NTC 100K	NTC 100K	NTC 100K	NTC 100K

PROPERTY OF SONAVOX CANADA

REVISION RECORD			
LTR	ECD NO.	APPROVED:	DATE:



Y1 capacitors: CY1-4

PROPERTY OF SONAVOX CANADA

COMPANY:		TITLE:	
EMI and POWER		SH0387	
DRAWN:	DATED:	CHECKED:	DATED:
QUALITY CONTROL:	DATED:	RELEASED:	DATED:

1 2 3 4 5 6

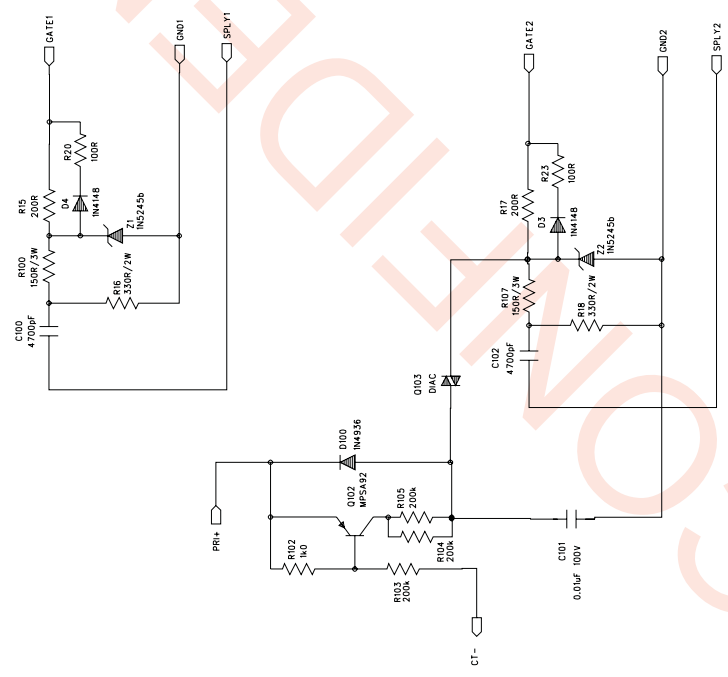
REVISION RECORD		
LTR	ECD NO:	APPROVED: DATE

D

C

B

A



PROPERTY OF SONAVOX CANADA

COMPANY:		PDC controller	
TITLE:		PDC controller	
DRAWN:	DATE:	CHECKED:	DATE:
uBetcherov	Apr 6, 2004		
QUALITY CONTROL:	RELEASED:	DRAWING NO:	REV:
		SH0387	3
SCALE:	SHEET:	OF	

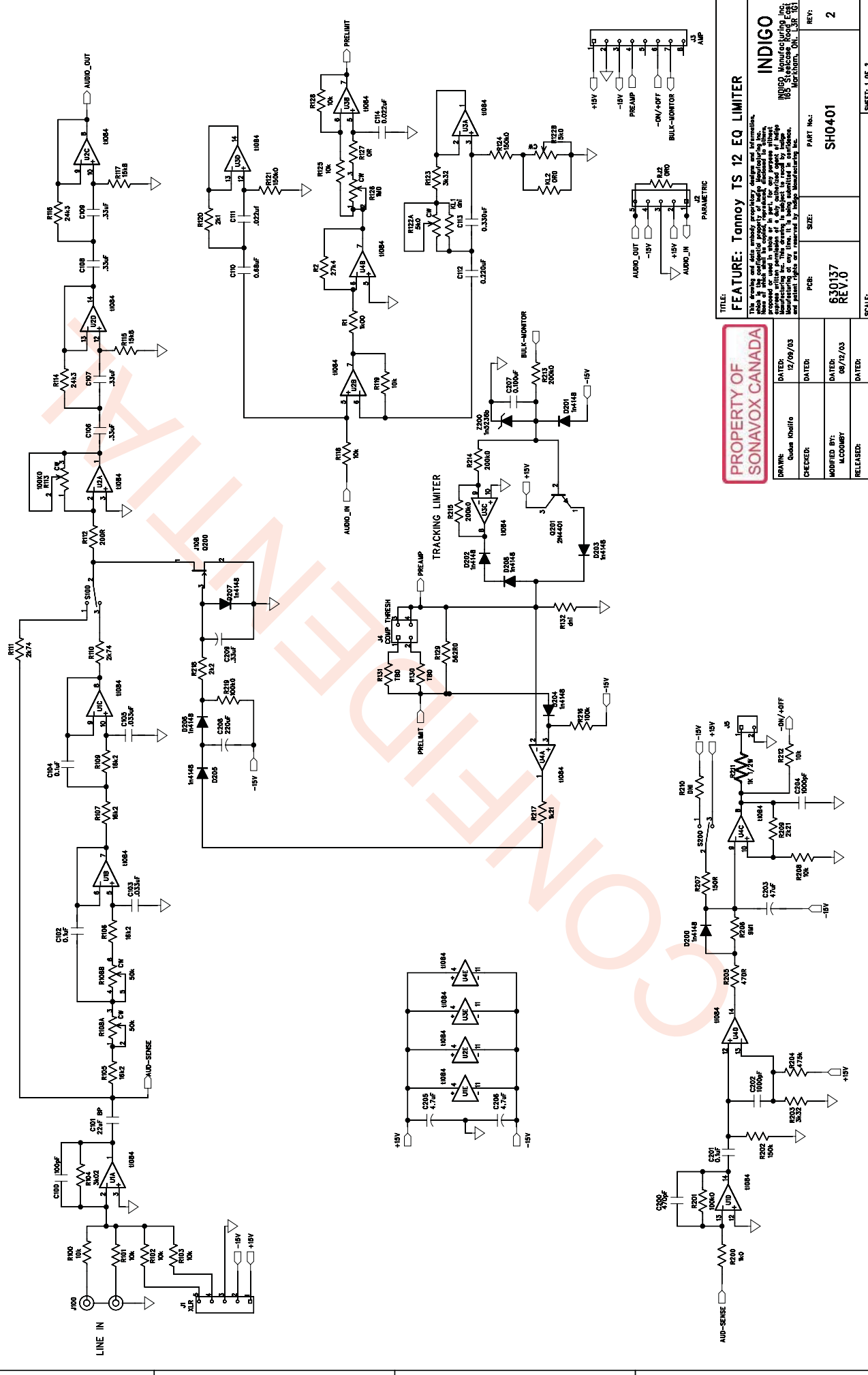
D

C

B

A

REVISION RECORD	APPROVED:	DATE:
LTR	EGD MDC	
	SEE SHEET 2	



TITLE: FEATURE: Tonnoy TS 12 EQ LIMITER		PART No.:	2
INDIGO		SH0401	
INDIGO Manufacturing Inc.		REV.0	
165 S. Wallace Road, C-101		SCALE:	
Worcester, MA 01581			

PROPERTY OF SONAVOX CANADA	
DRAWN: Gunda Kholito	CHECKED: M. COOMBY
DATE: 12/09/03	DATE: 06/12/93
RELEASED:	

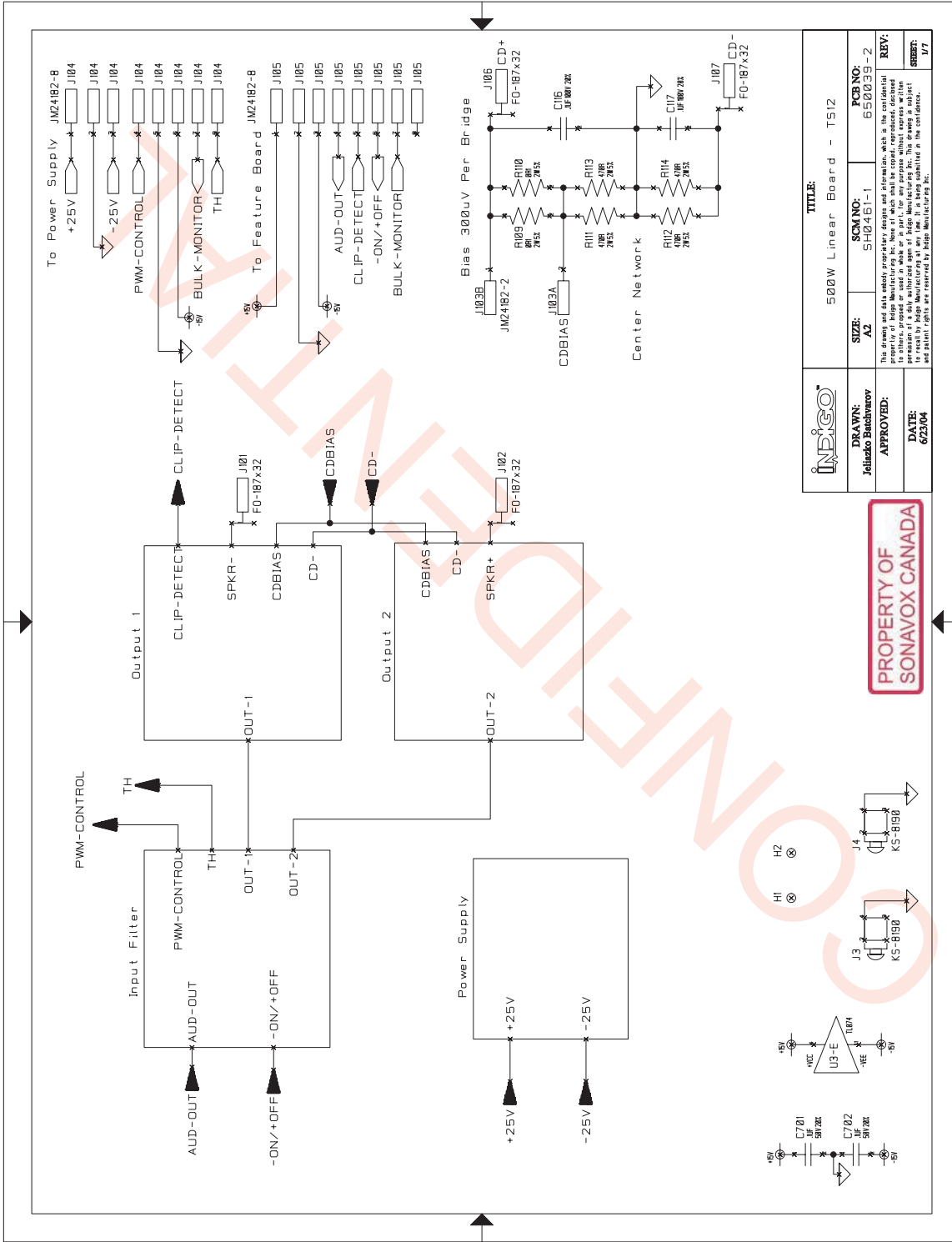
PCB:	SIZE:
AUDIO_OUT	
AUDIO_IN	
PREAMP	
BULK-MONITOR	
PARAMETRIC	

DATE: 12/09/03	DATE: 06/12/93
RELEASED:	

DATE: 12/09/03	DATE: 06/12/93
RELEASED:	

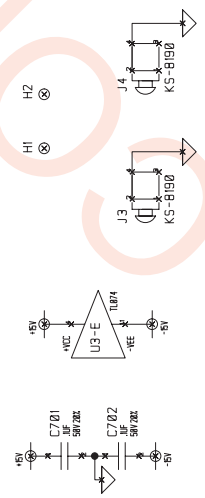
DATE: 12/09/03	DATE: 06/12/93
RELEASED:	

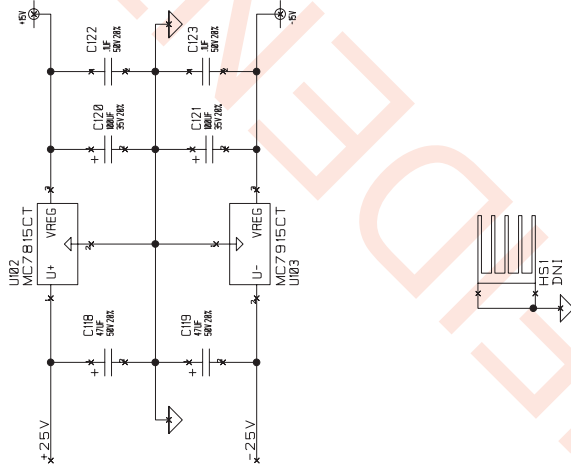
DATE: 12/09/03	DATE: 06/12/93
RELEASED:	



INTEGO			
TITLE: 500W Linear Board - TS12			
DR AWN: Jeliazko Bachvarov	SIZE: A2	SCM NO.: SH0461-1	PCB NO.: 650039-2
APPROVED:			REV.:
DATE: 02/20/04			ERR: 0/7

PROPERTY OF
SONAVOX CANADA

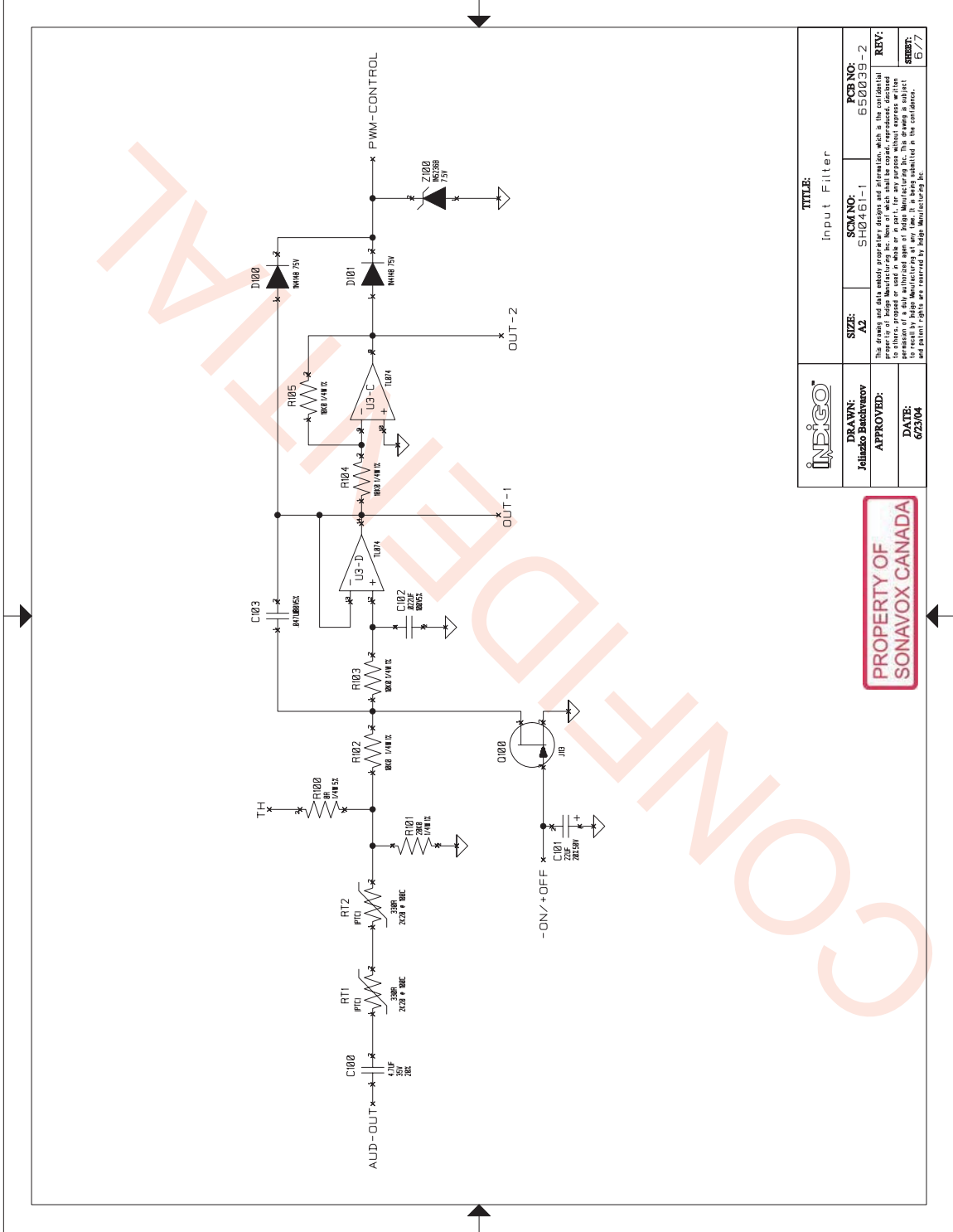




INDIGO		TITLE: 15V Power Supply	
DRAWN: Jeliazko Bascichanov	SIZE: A2	SCMNO: SH0461-1	PCBNO: 650039-2
APPROVED:			REV:
DATE: 02/04			SHEET:

PROPERTY OF
SONAVOX CANADA

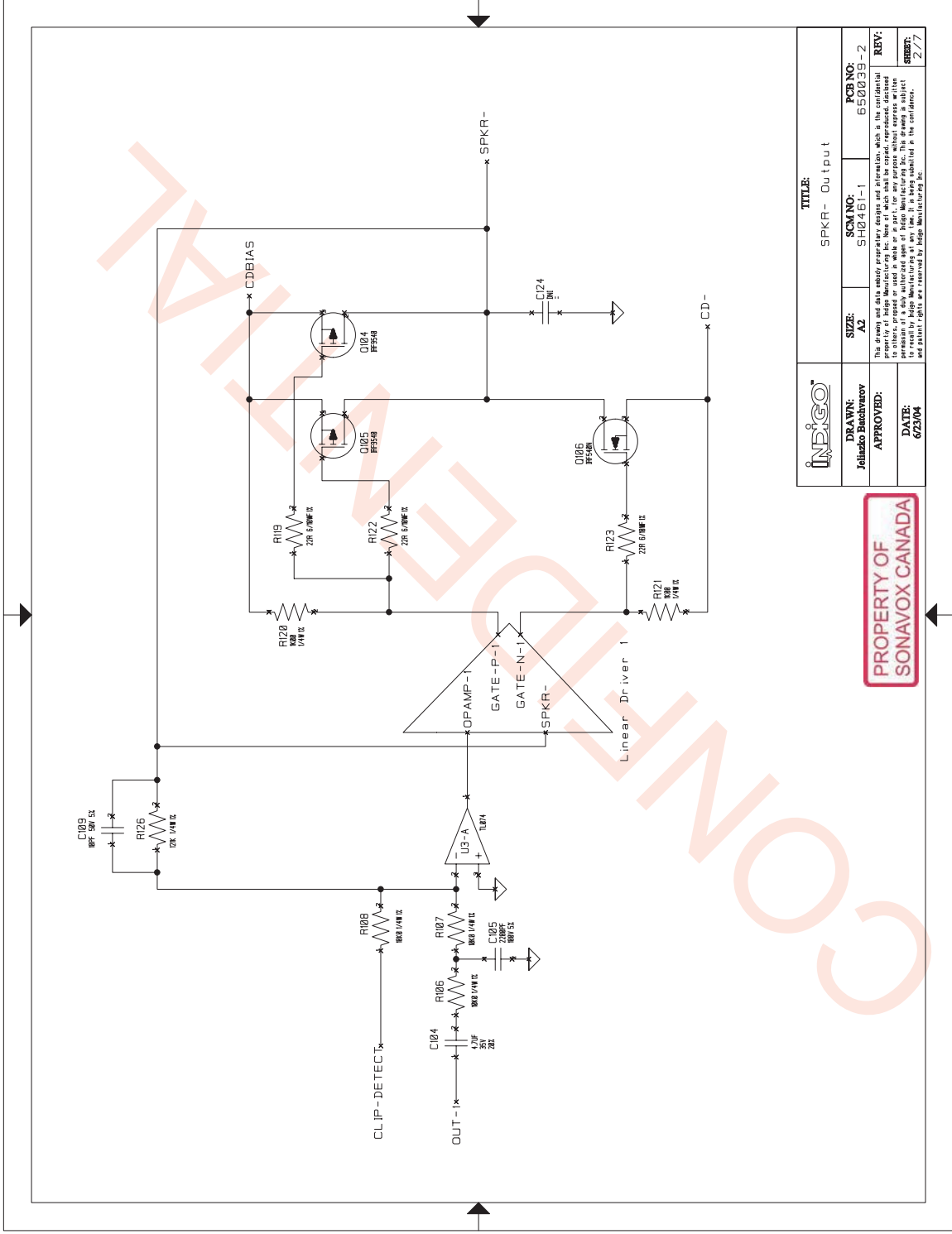
This drawing and data embody proprietary devices and information which is the confidential property of Indigo Manufacturing Inc. None of which shall be copied, reproduced, disclosed to others, proposed or used in whole or in part, for any purpose without express written consent of Indigo Manufacturing Inc. This drawing is the property of Indigo Manufacturing Inc. and patent rights are reserved by Indigo Manufacturing Inc.



INDIGO			
DRAWN: Jeliazko Bouchayov		SIZE: A2	TITLE: Input Filter
APPROVED:		SCM NO: SH0461-1	PCB NO: 650039-2
DATE: 02/04		REV: 5/77	

PROPERTY OF
SONAVOX CANADA

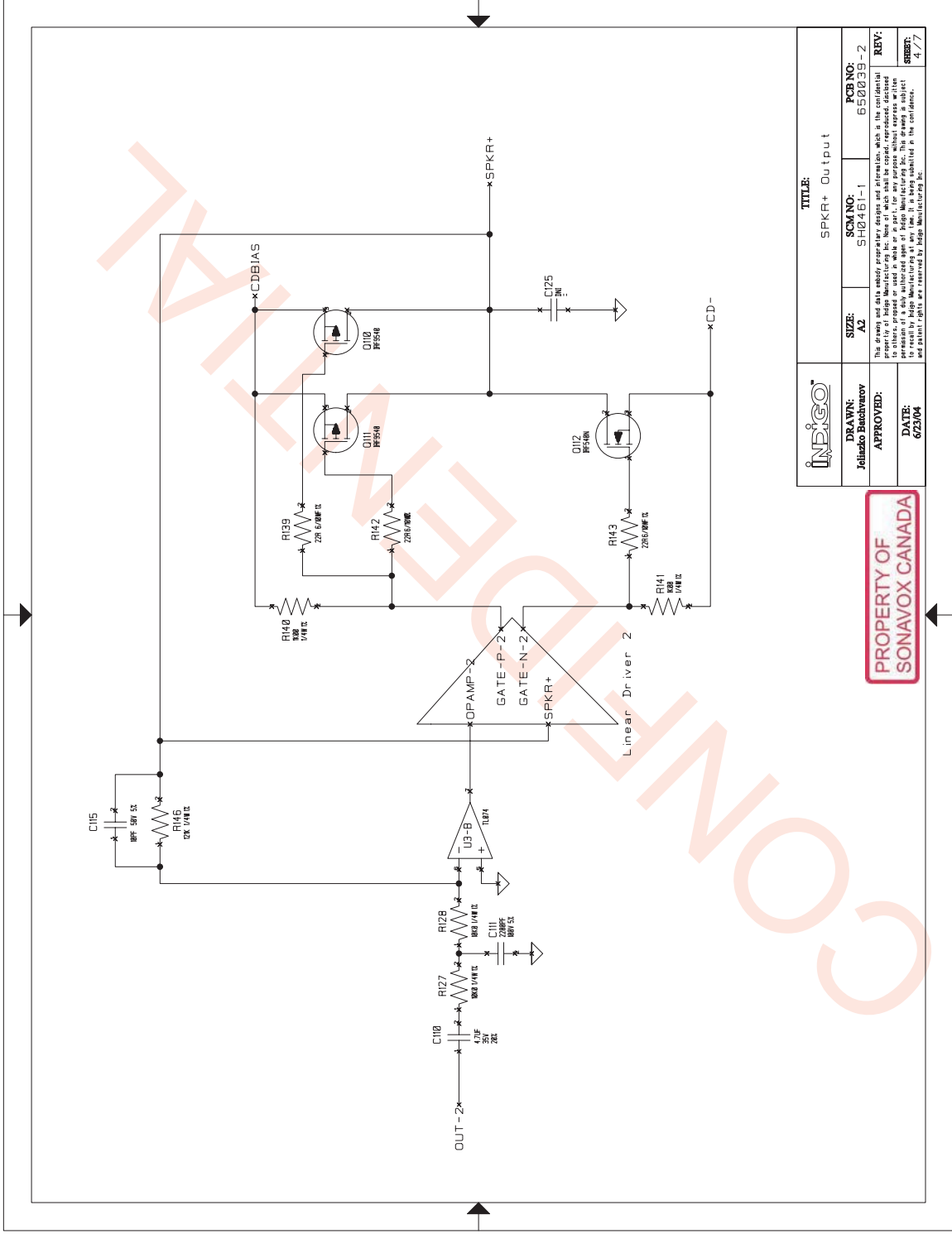
This drawing and data made hereby define and delineate which is the confidential property of Indigo Manufacturing Inc. None of which shall be copied, reproduced, disclosed to others, proposed or used in part, for any purpose without express written permission of Indigo Manufacturing Inc. This drawing is the property of Indigo Manufacturing Inc. and patent rights are reserved by Indigo Manufacturing Inc.



INDIGO		TITLE: SPKR- Output	
DRAWN: Jeliazko Bouchayov	SIZE: A2	SCMNO: SH0461-1	PCBNO: 650039-2
APPROVED:			REV:
DATE: 02/04			SHEET: 2/77

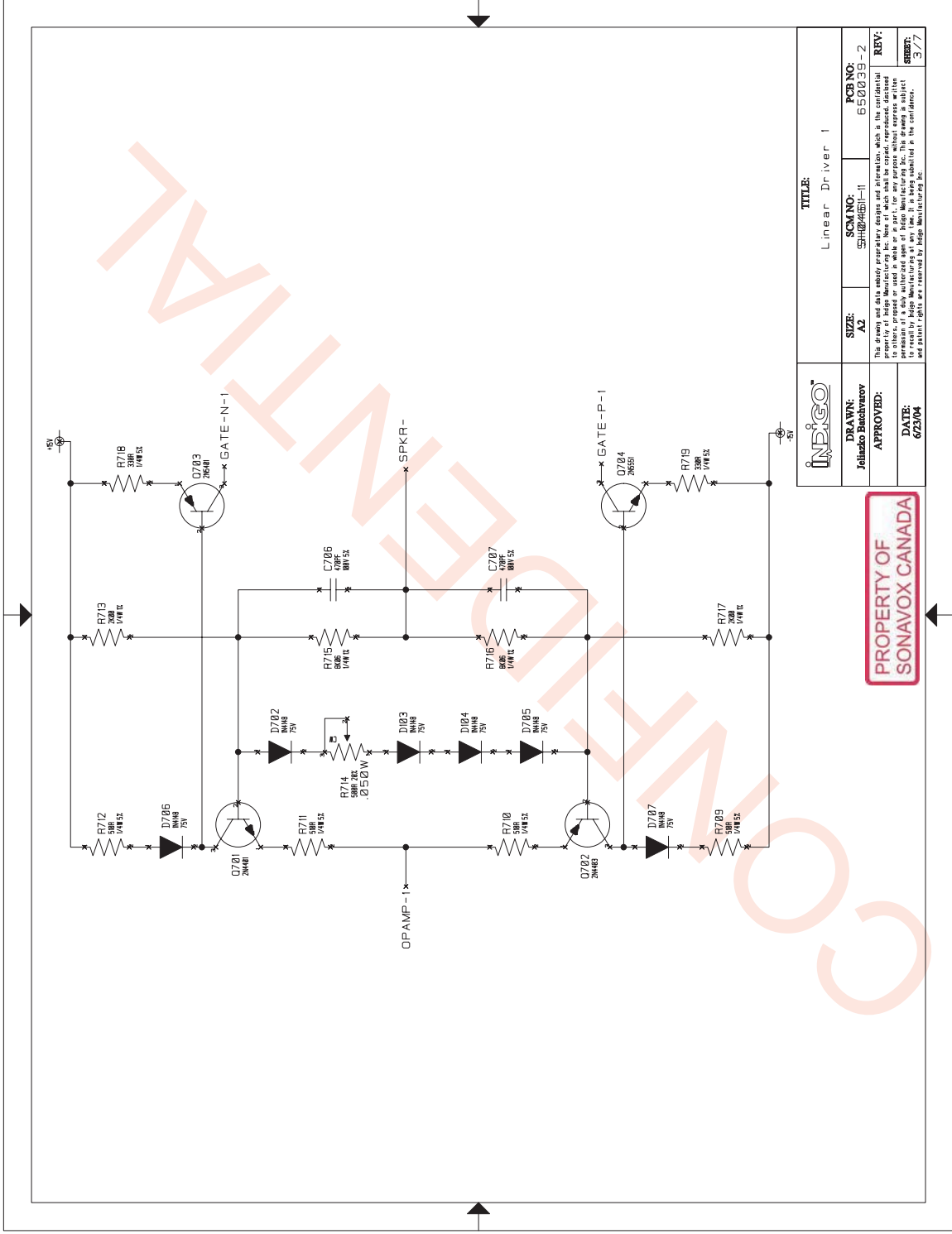
PROPERTY OF SONAVOX CANADA

This drawing and data shall be proprietary devices and information which is the confidential property of Indigo Manufacturing Inc. None of which shall be copied, reproduced, disclosed to others, proposed or used in whole or in part, for any purpose without express written consent of Indigo Manufacturing Inc. This drawing shall be void if not accompanied by a drawing to which Indigo Manufacturing Inc. at any time it is being submitted in the confidence, and patent rights are reserved by Indigo Manufacturing Inc.



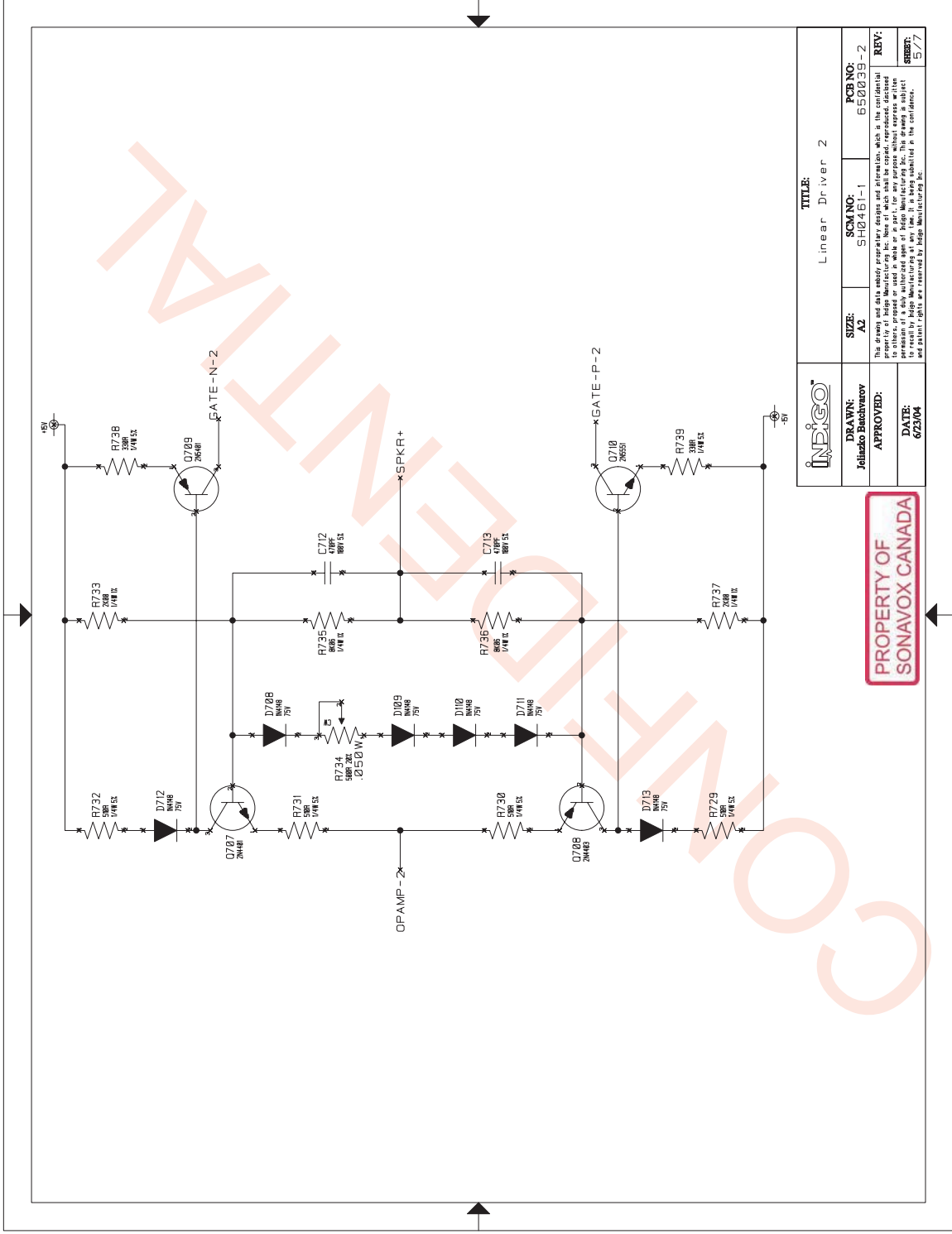
INDIGO		TITLE: SPKR+ Output	
DRAWN: Jeliazko Bouchvarov	SIZE: A2	SCMNO: SH0461-1	PCBNO: 650639-2
APPROVED:		<small>This design and data shall be proprietary devices and information which is the confidential property of Indigo Manufacturing Inc. None of which shall be copied, reproduced, disclosed to others, proposed or used in any part, for any purpose without express written permission of Indigo Manufacturing Inc. This document is the property of Indigo Manufacturing Inc. and patent rights are reserved by Indigo Manufacturing Inc.</small>	
DATE: 02/04			REV: 4/77

PROPERTY OF SONAVOX CANADA



TITLE: Linear Driver 1		PCB NO: 650039-2
SIZE: A2	SCM NO: SHPH2400-11	REV:
<small>This drawing and data shall be proprietary devices and information which is the confidential property of Indigo Manufacturing Inc. None of which shall be copied, reproduced, disclosed to others, proposed or used in whole or in part, for any purpose without express written consent of Indigo Manufacturing Inc. This document shall be returned to the originator to receive by Indigo Manufacturing Inc. at any time it is being submitted in the confidence, and patent rights are reserved by Indigo Manufacturing Inc.</small>		
DATE: 02/04	APPROVED:	SHEET: 3/7

PROPERTY OF SONAVOX CANADA



TITLE: Linear Driver 2			
INDIGO	SIZE: A2	SCM NO: SH0461-1	PCB NO: 650039-2
DRAWN: Jeliazko Bachtarov	REV: This design and data shall be proprietary, electric and software, which is the intellectual property of Indigo Manufacturing Inc. None of which shall be copied, reproduced, disclosed to others, proposed or used in part, for any purpose without express written permission of Indigo Manufacturing Inc. All rights reserved. No part of this document to be used in any form or by any means, electronic, mechanical, photocopying, recording, or by any information storage and retrieval system, without prior written permission of Indigo Manufacturing Inc. and patent rights are reserved by Indigo Manufacturing Inc.		
APPROVED:	DATE: 08/24/04	SECT: 5/77	

**PROPERTY OF
SONAVOX CANADA**