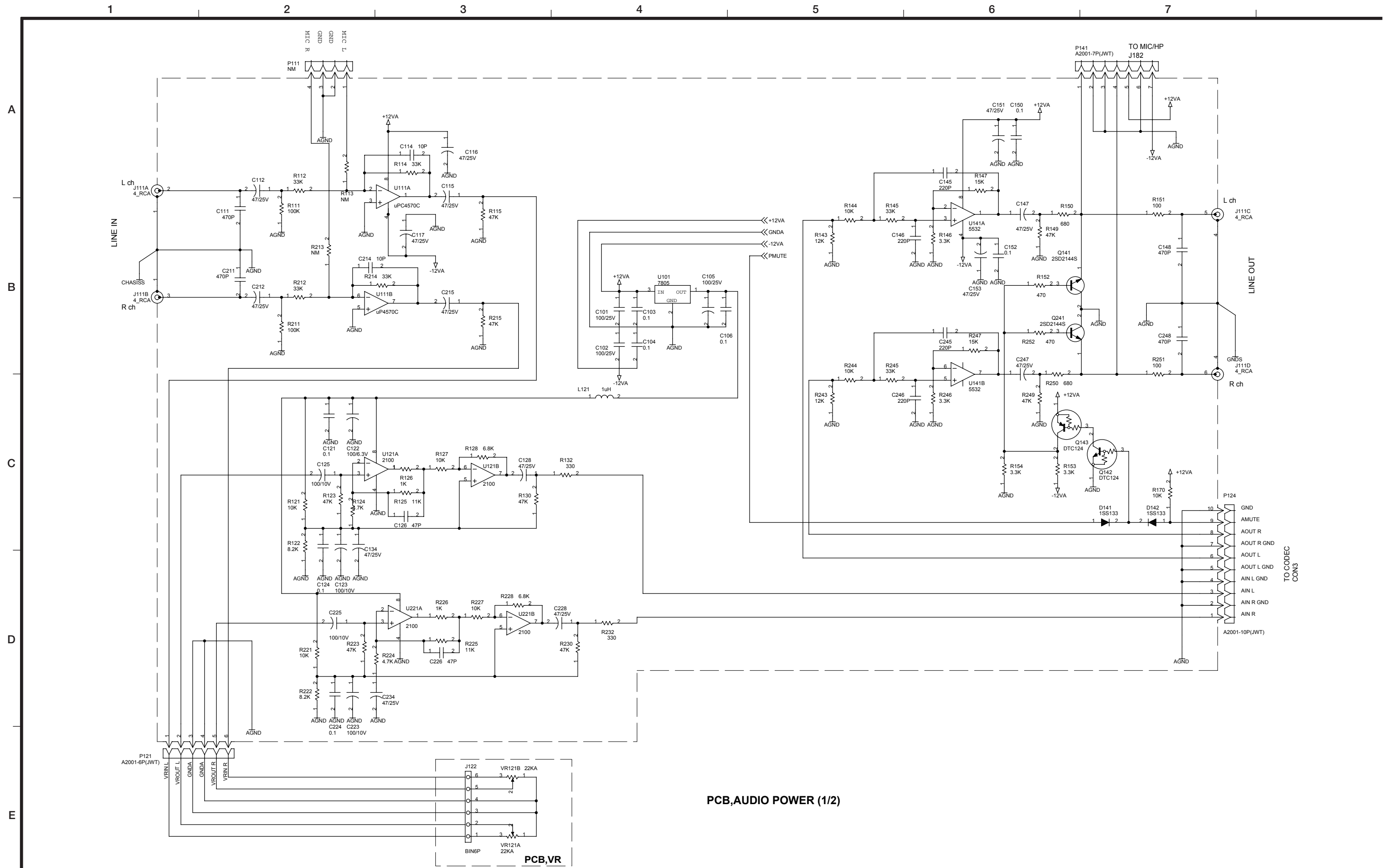


SCHEMATIC DIAGRAM
回路図

CD-RW750

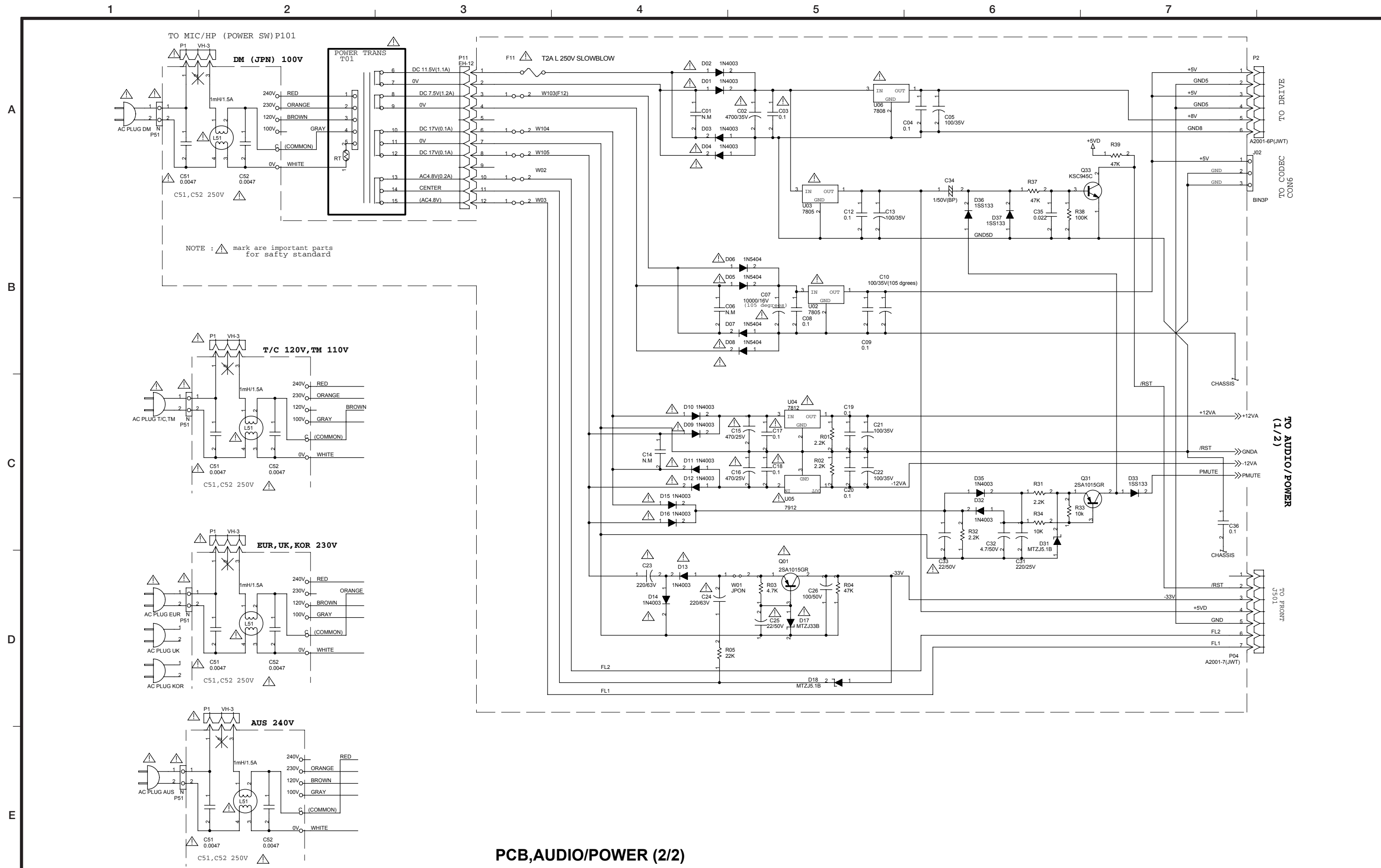
CONTENTS 目次

PCB AUDIO/POWER (1/2) & PCB VR	2
PCB AUDIO/POWER (2/2)	3
PCB FRONT	4
PCB CODEC	5
PCB DIGITAL I/O & PCB MIC/HP	6

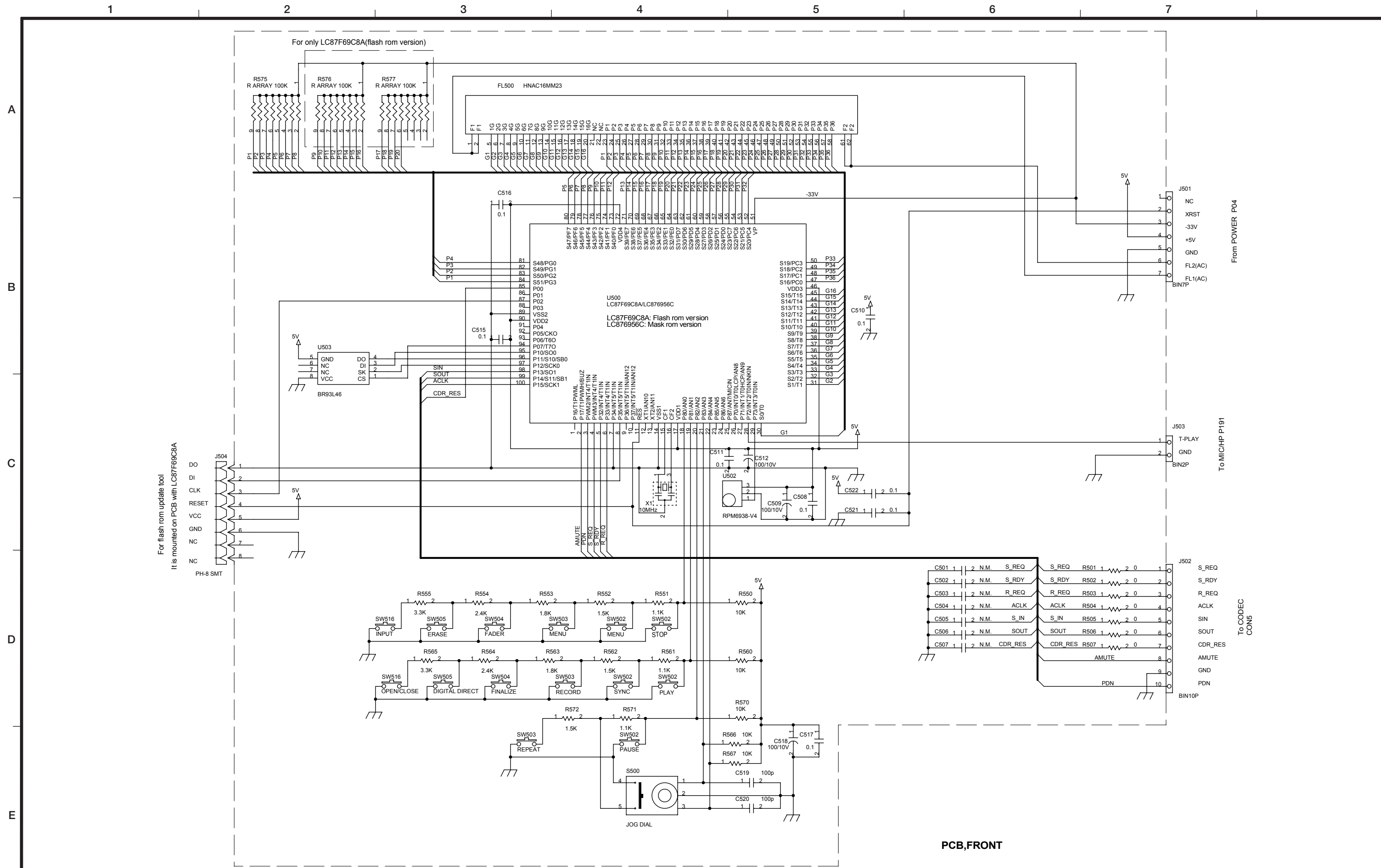


PCB,AUDIO POWER (1/2)

CD Rewritable Recorder **CD-RW750**

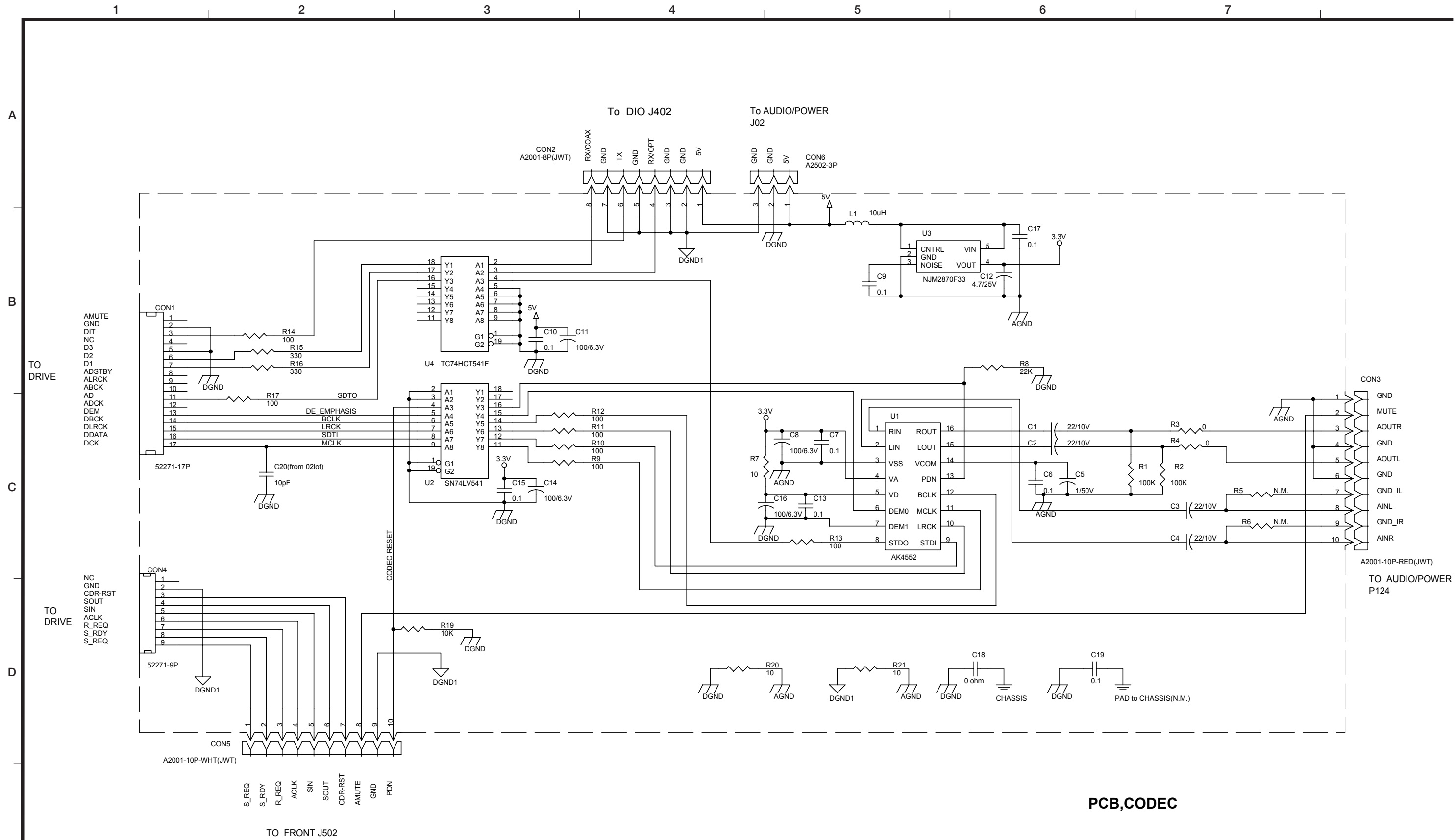


PCB,AUDIO/POWER (2/2)



PCB,FRONT

CD Rewritable Recorder **CD-RW750**



PCB, CODEC

