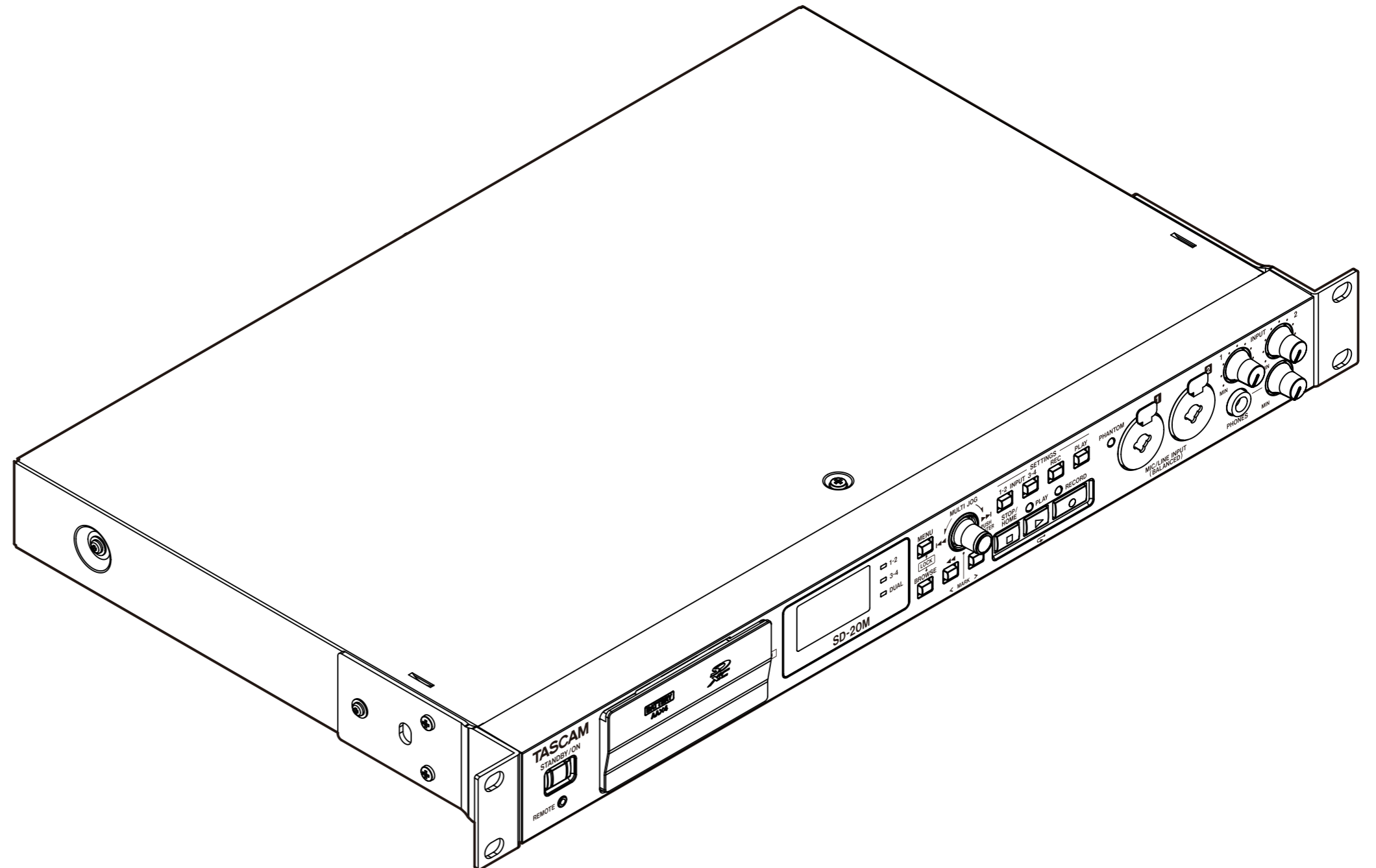
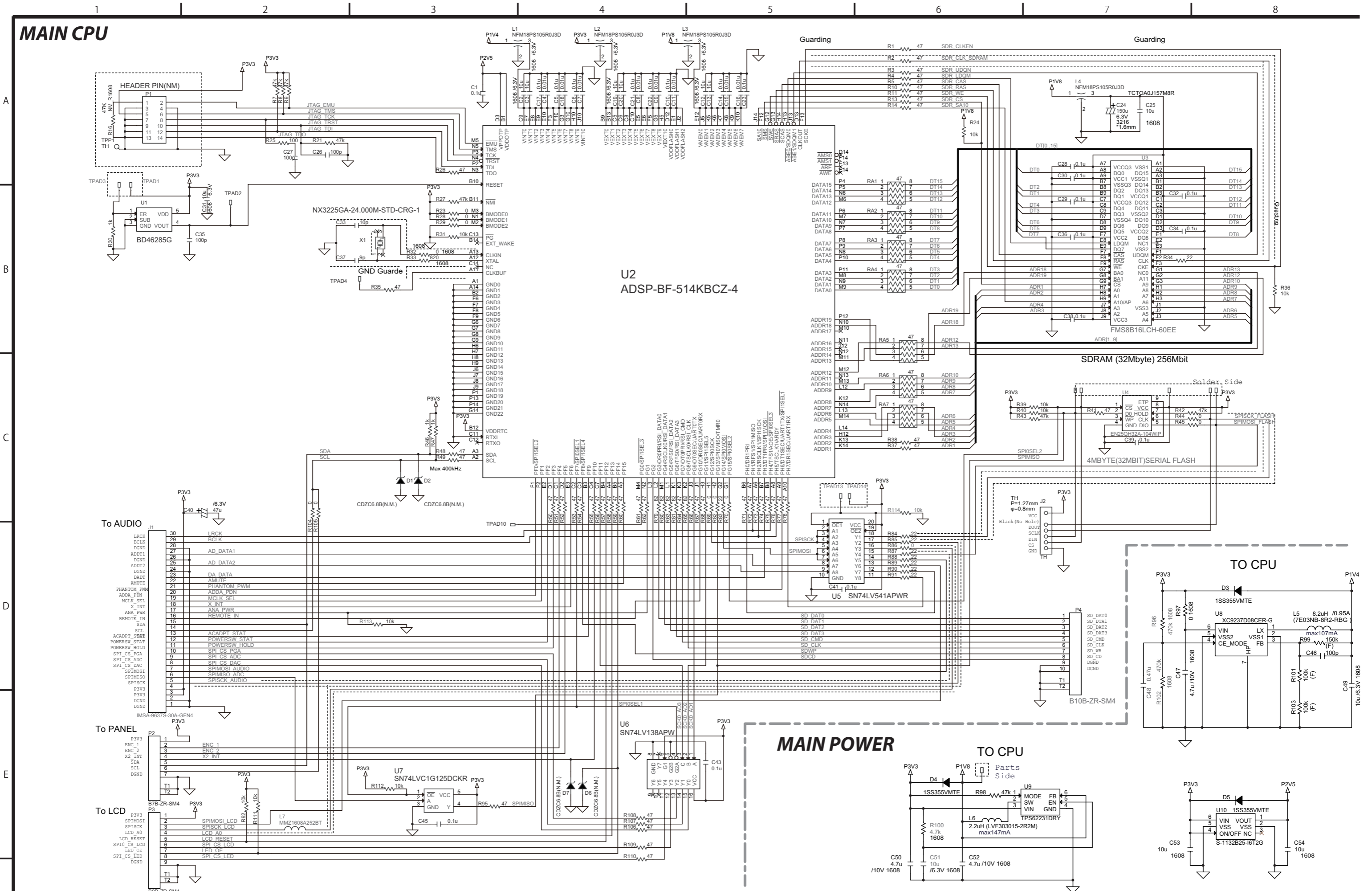


## SCHEMATIC DIAGRAM

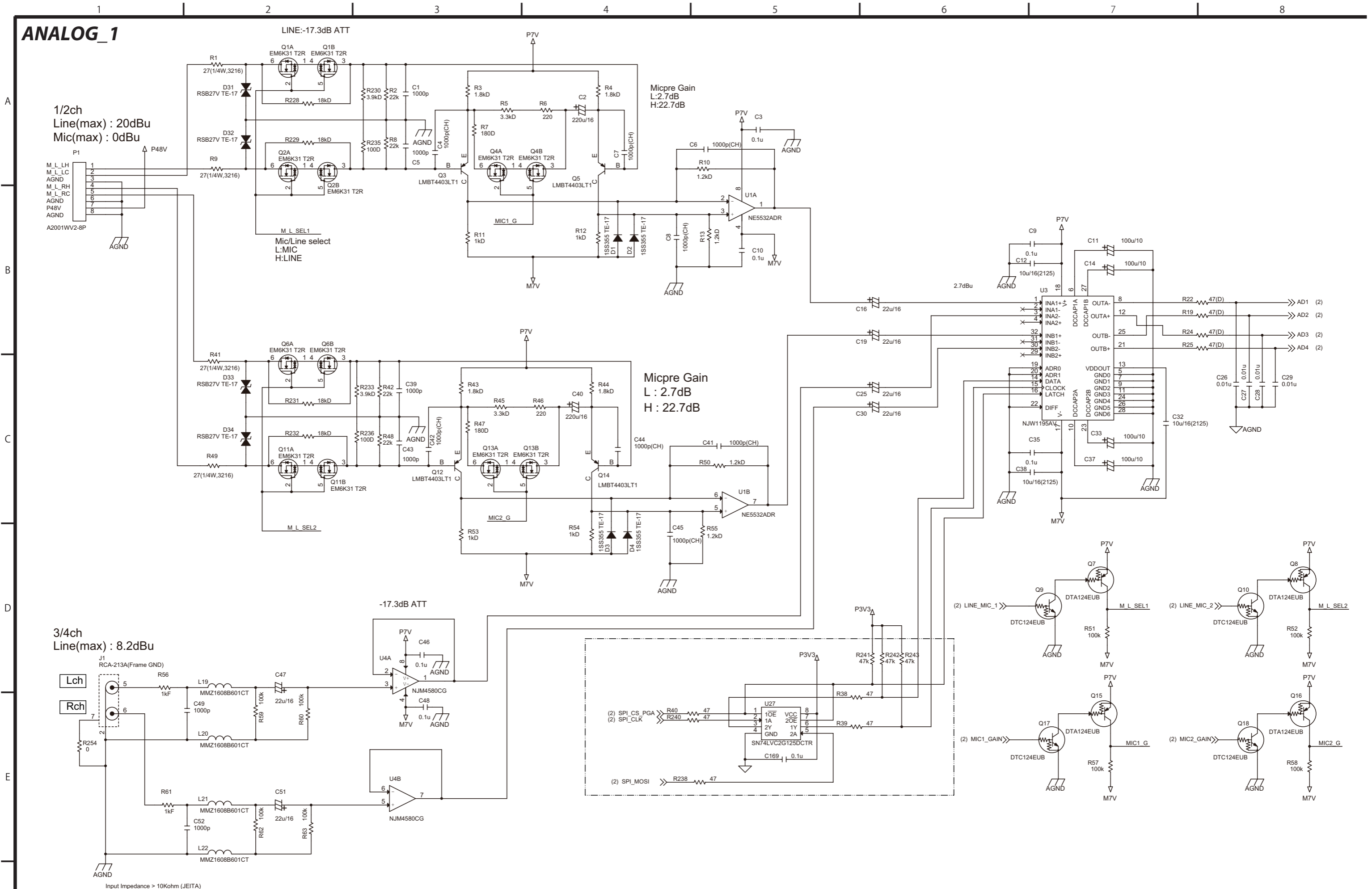
### CONTENTS

MAIN PCB (CPU/POWER) .....	2
AUDIO PCB (1/4) .....	3
AUDIO PCB (2/4) .....	4
AUDIO PCB (3/4) .....	5
AUDIO PCB (4/4) .....	6
PANEL PCB (1/3).....	7
PANEL PCB (2/3).....	8
PANEL PCB (3/3).....	9

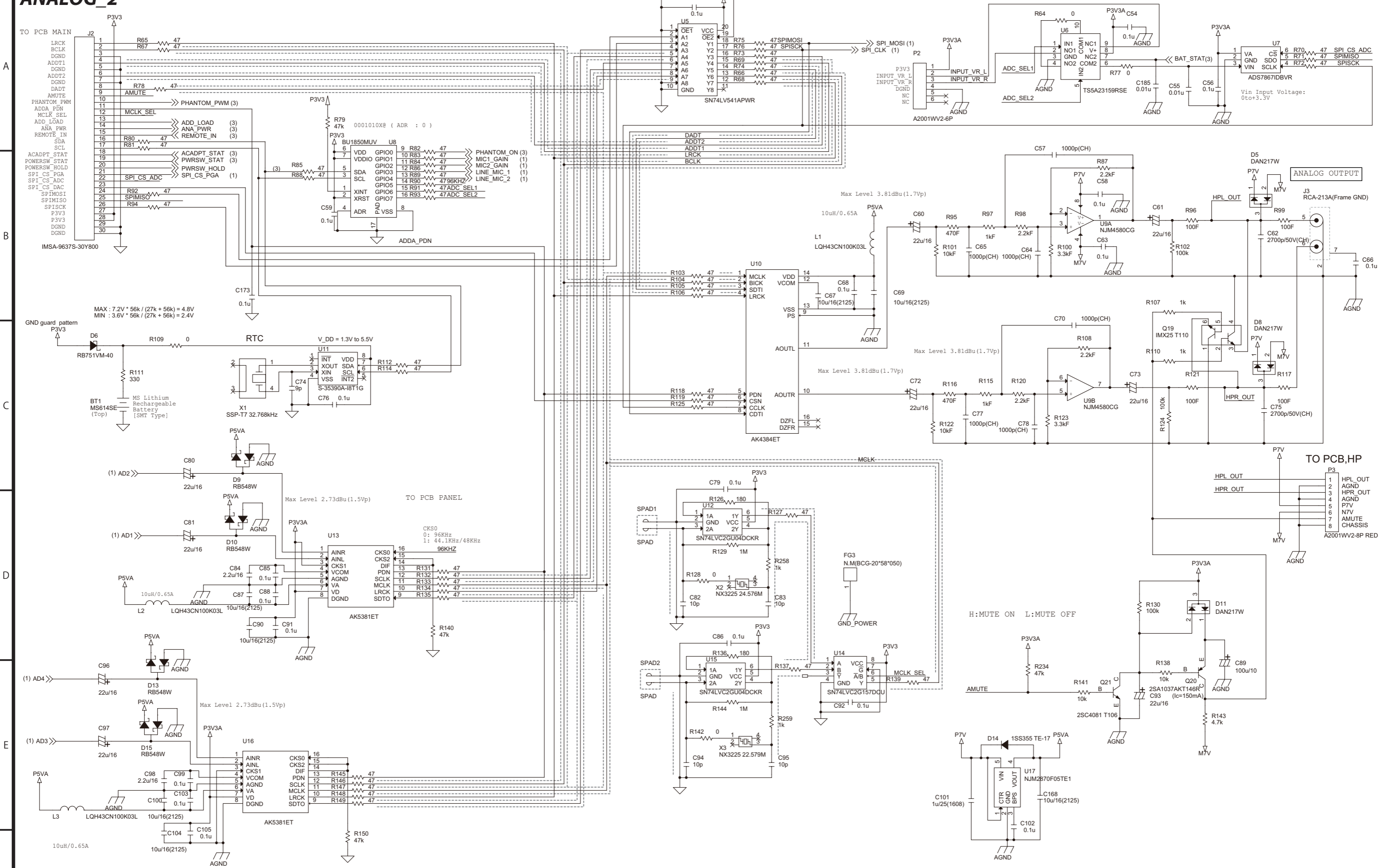




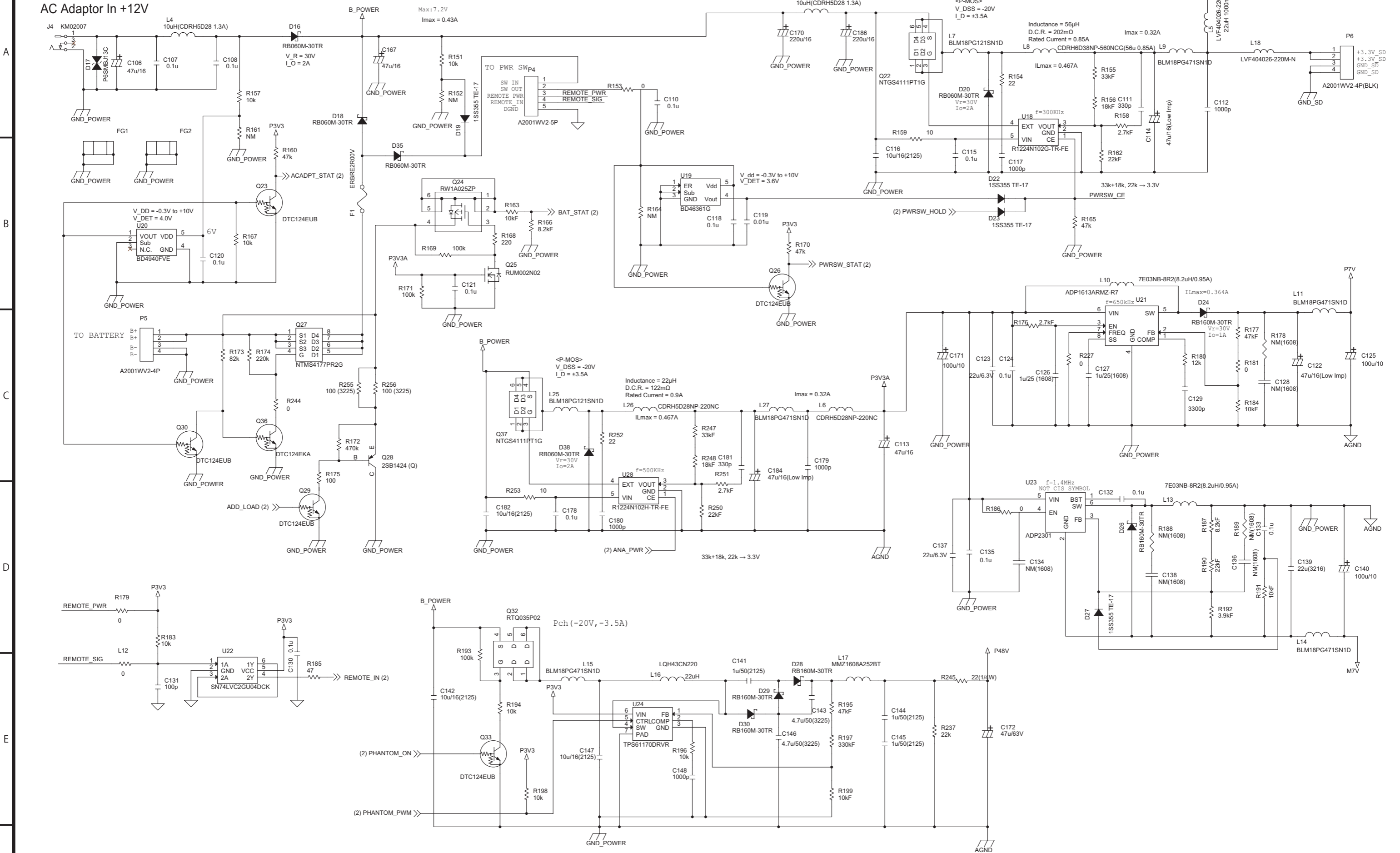
ANALOG\_1



ANALOG\_2

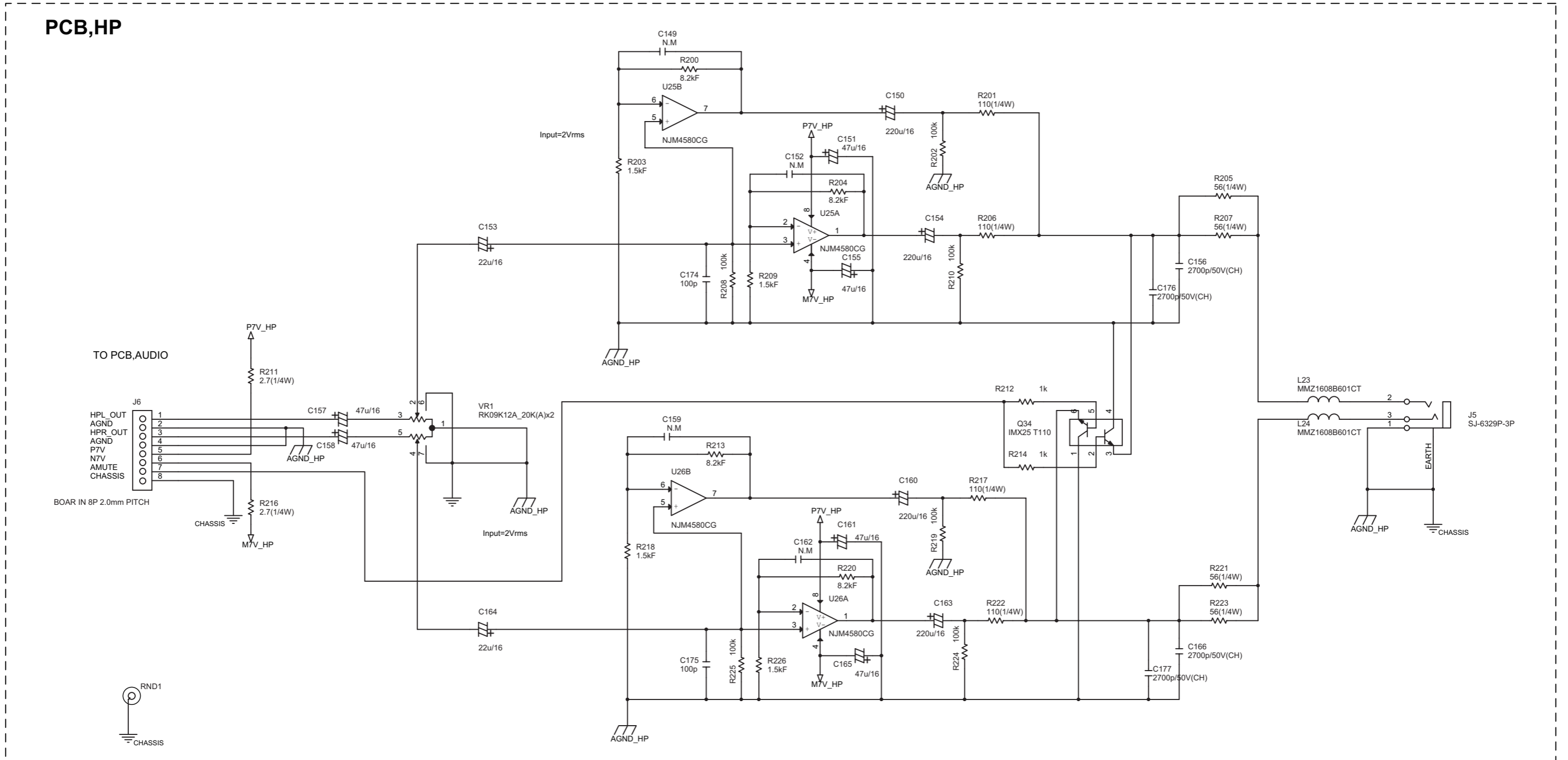


ANALOG\_3



ANALOG\_4

PCB,HP



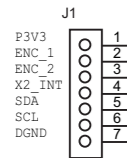
PANEL\_1

PCB,PANEL

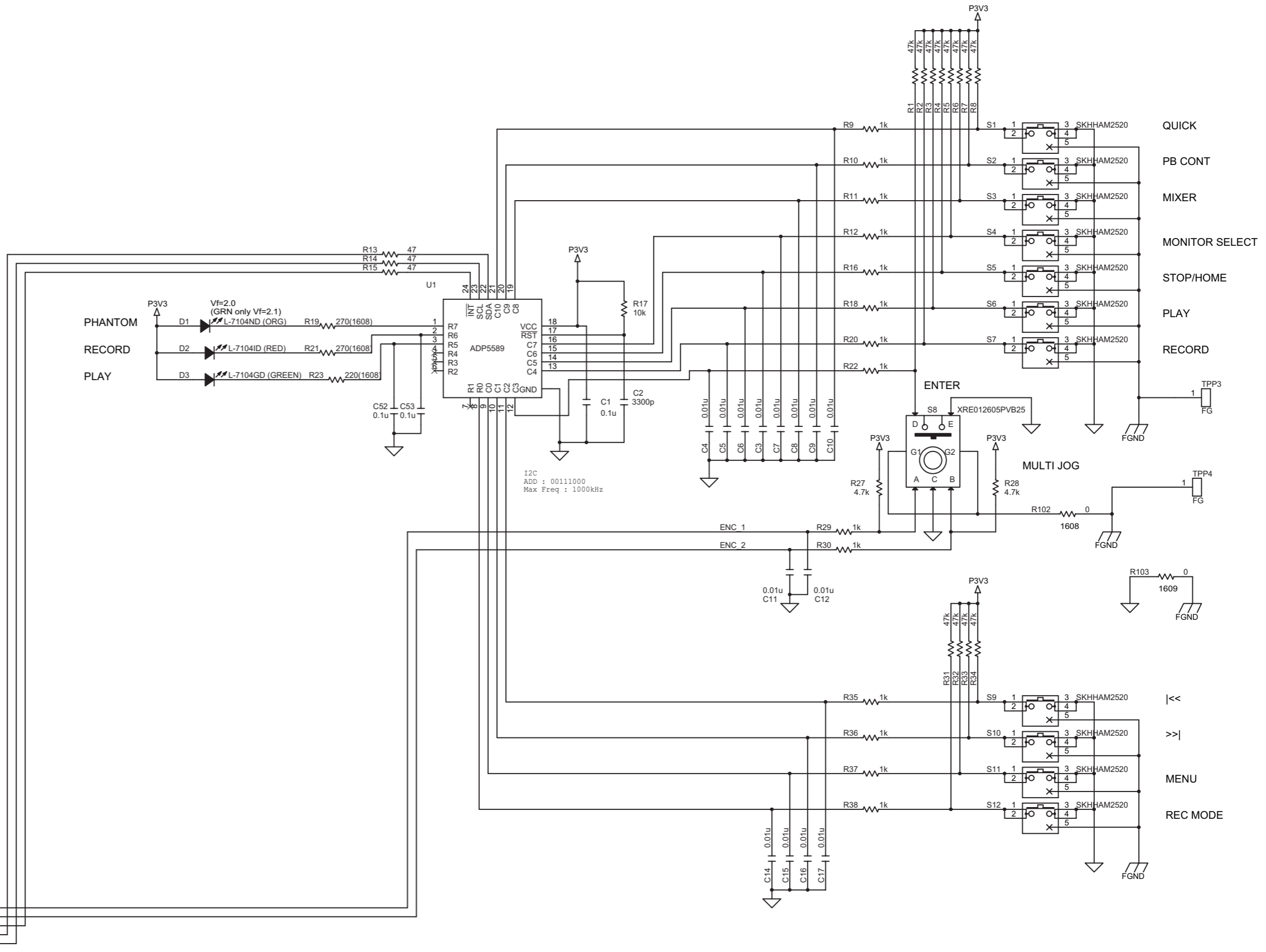
A  
B  
C  
D  
E

1 2 3 4 5 6 7 8

TO PCB,MAIN

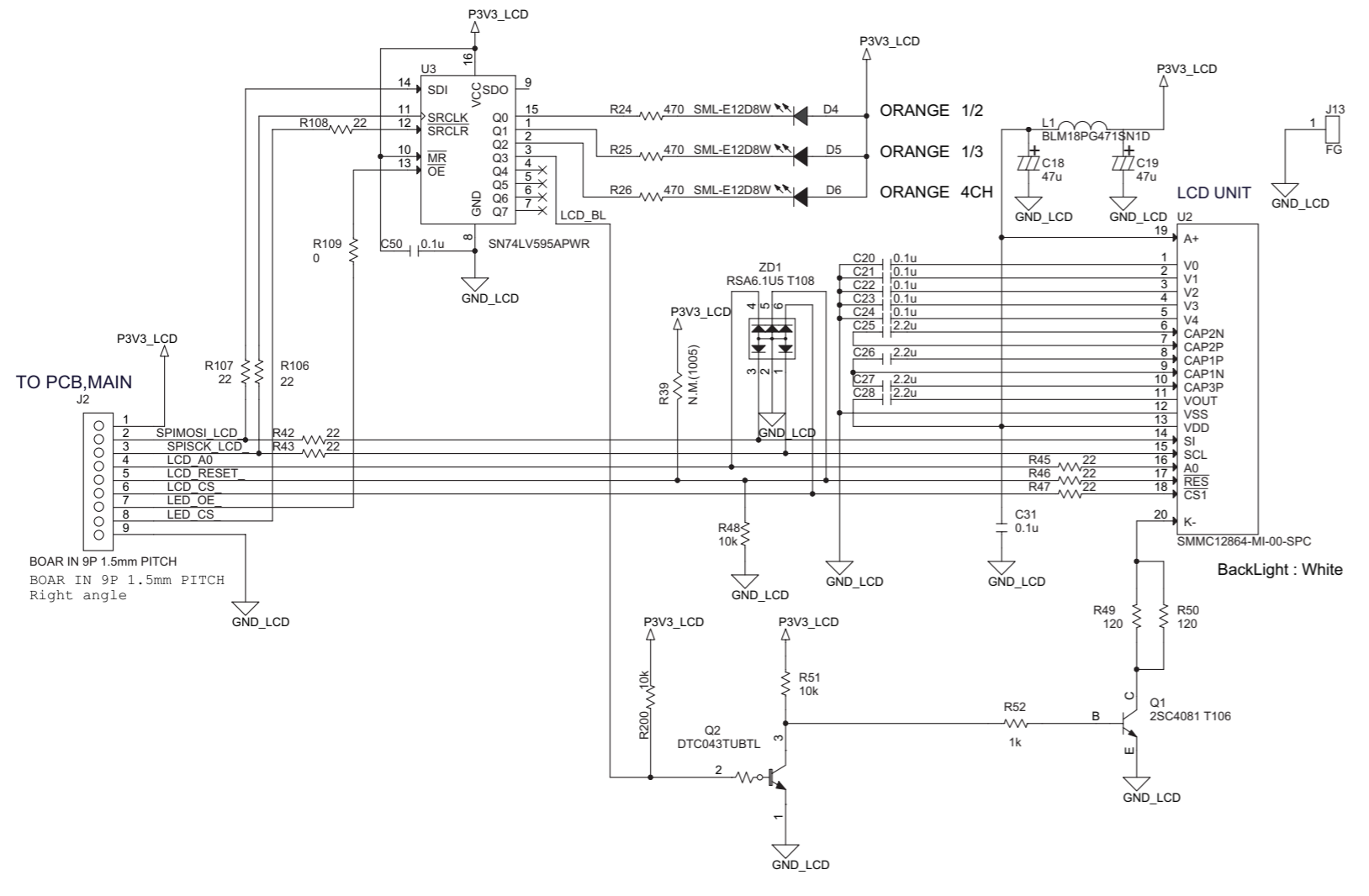


BOAR IN 7P 1.5mm PITCH  
Straight angle

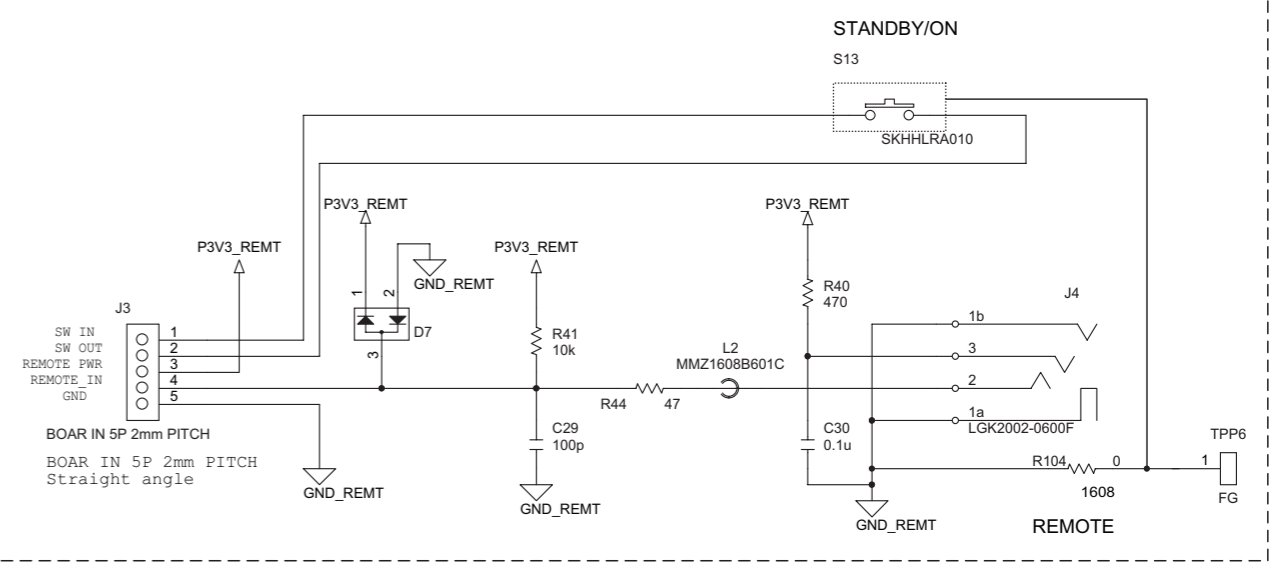


PANEL\_1

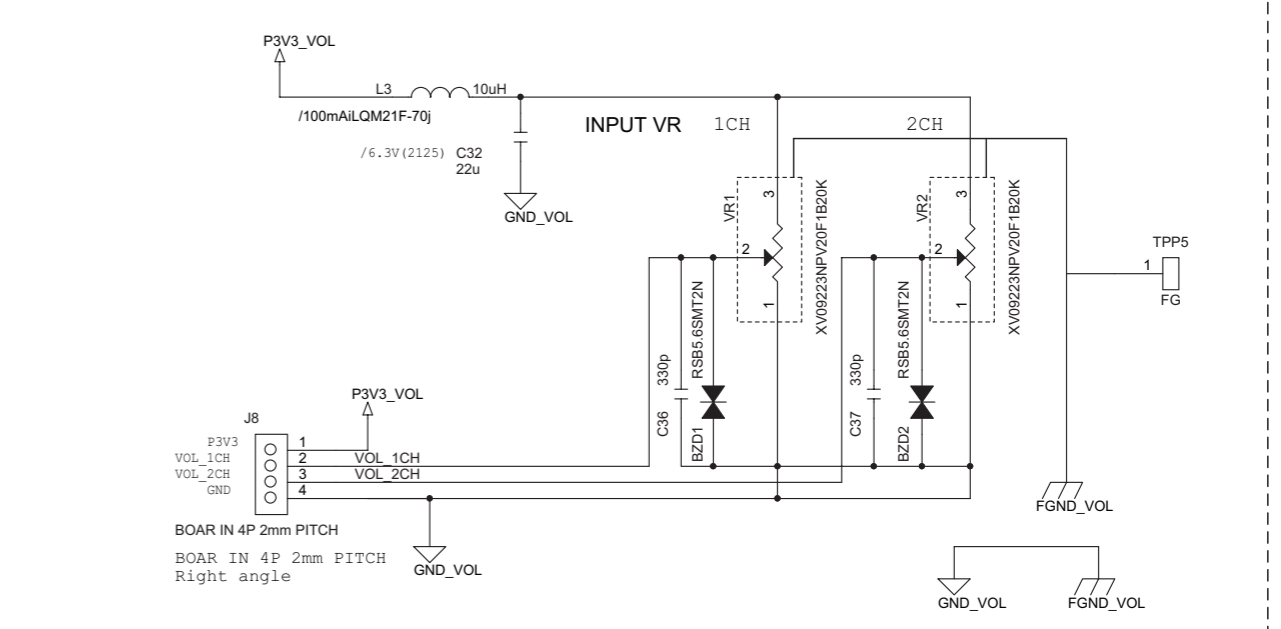
PCB,LCD



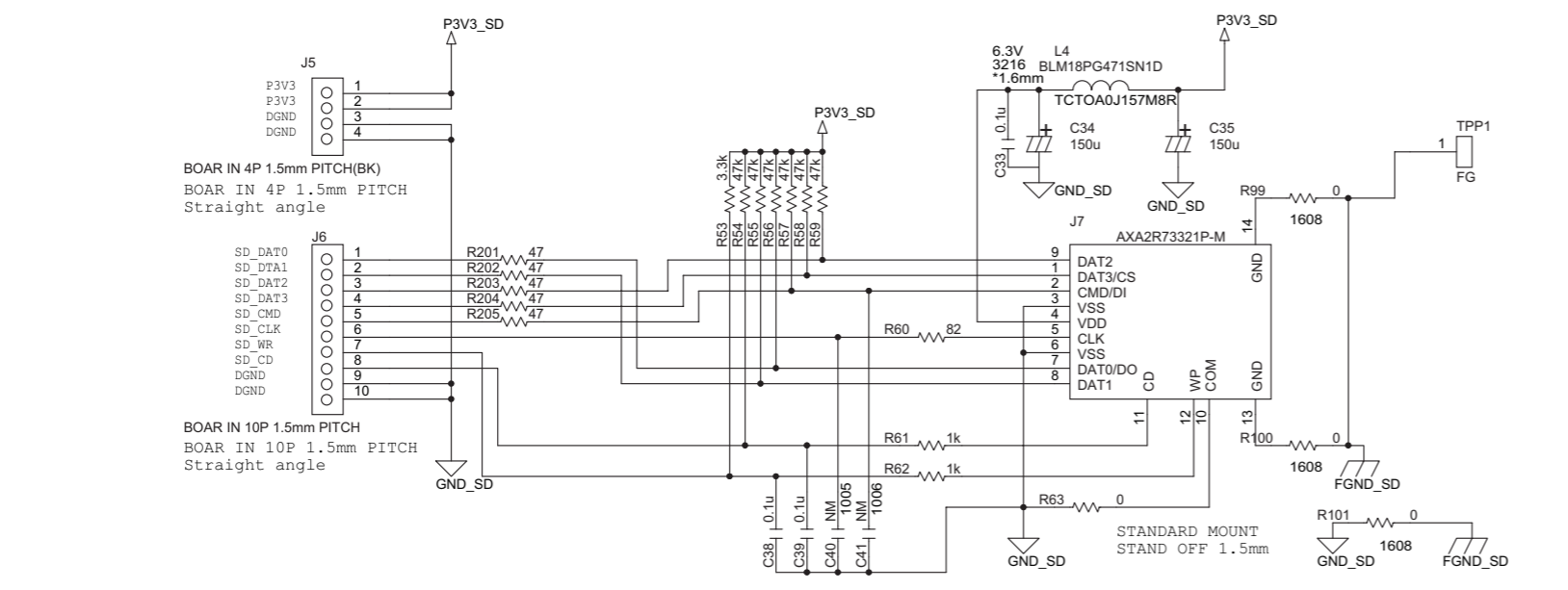
PCB,PWR SW



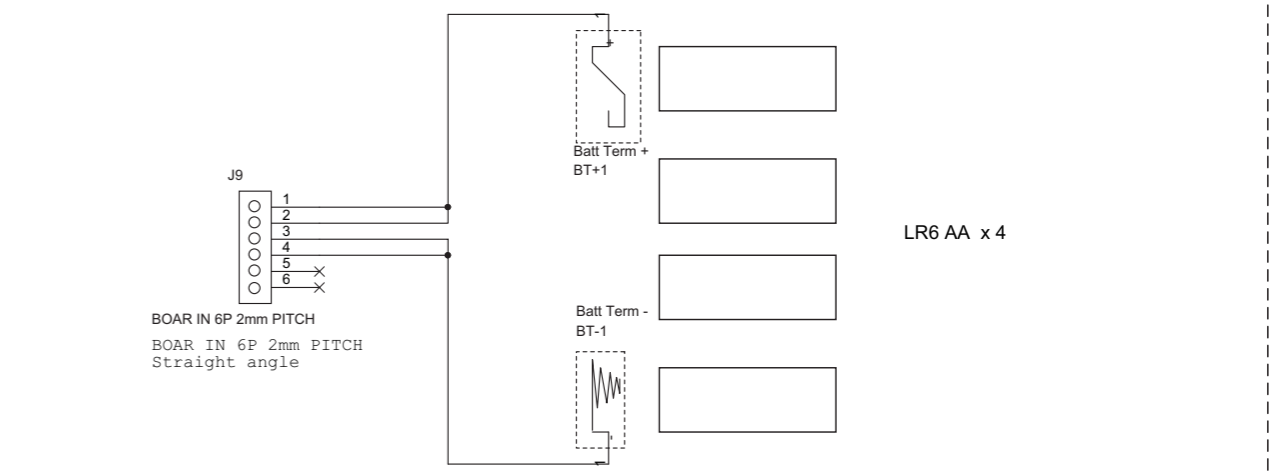
PCB,VOL



PCB,SD



PCB,BATTERY



PANEL\_3

PCB,COMBO

