

PARTS LIST

www.rtvcenter.com
repairtips, servicemanuals
forum, chassispictures...

model 124 SYNCASET A-108SYNC

Stereo Cassette Deck with Dolby System



TABLE OF CONTENTS

1. EXPLODED VIEWS AND PARTS LIST . . .	2~9, 14
INCLUDED ACCESSORIES	3
2. PC BOARD SECTION	
1. REC/PLAY AMPL. PCB ASSY	10, 12
2. MECHANISM PCB ASSY	11, 13
3. MIC AMPL. PCB ASSY	11, 13
ASSEMBLING HARDWARE CODING LIST	15

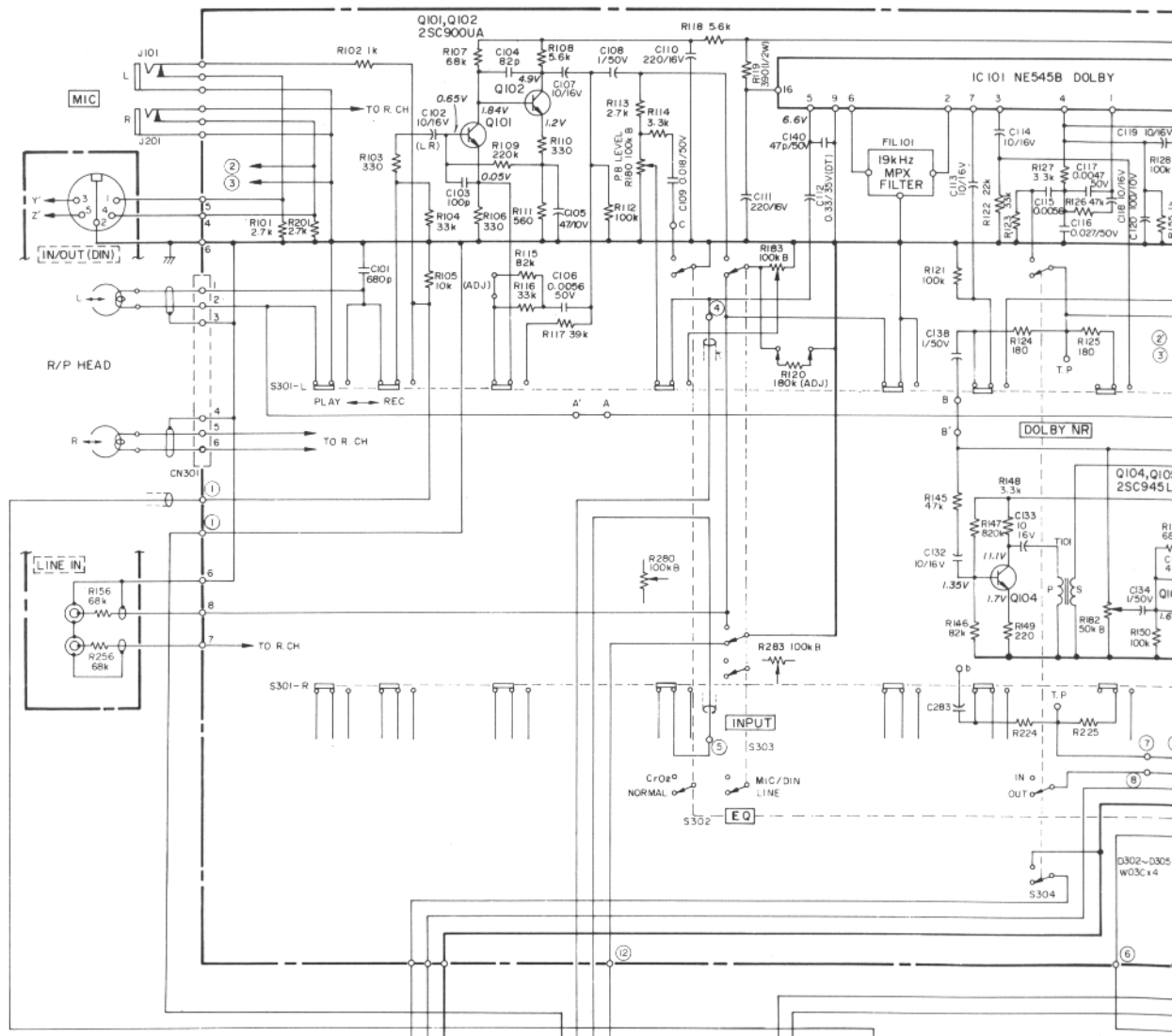
PARTS ORDERING INFORMATION

Spare parts are available through your nearest TEAC Authorized Service Center or directly from the TEAC office, the address of which is printed on the back cover. When ordering parts, always include the following information:

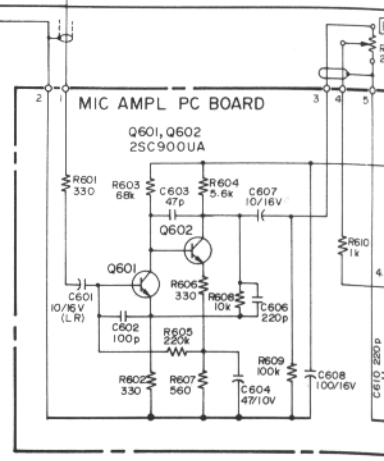
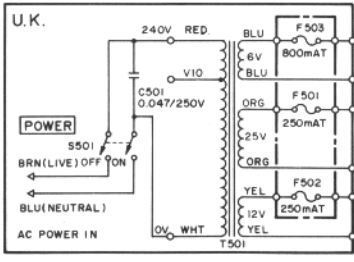
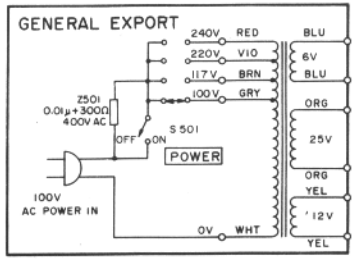
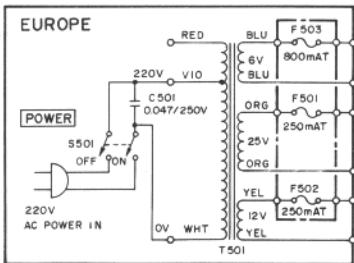
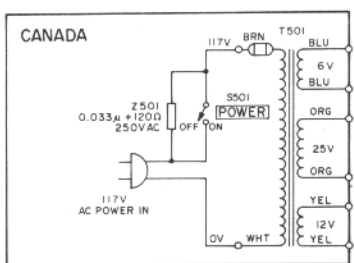
- | | |
|--------------|--------------------|
| 1. MODEL | 4. DESCRIPTION |
| 2. REF. NO. | 5. UNIT SERIAL NO. |
| 3. PARTS NO. | 6. MANUAL CODE NO. |

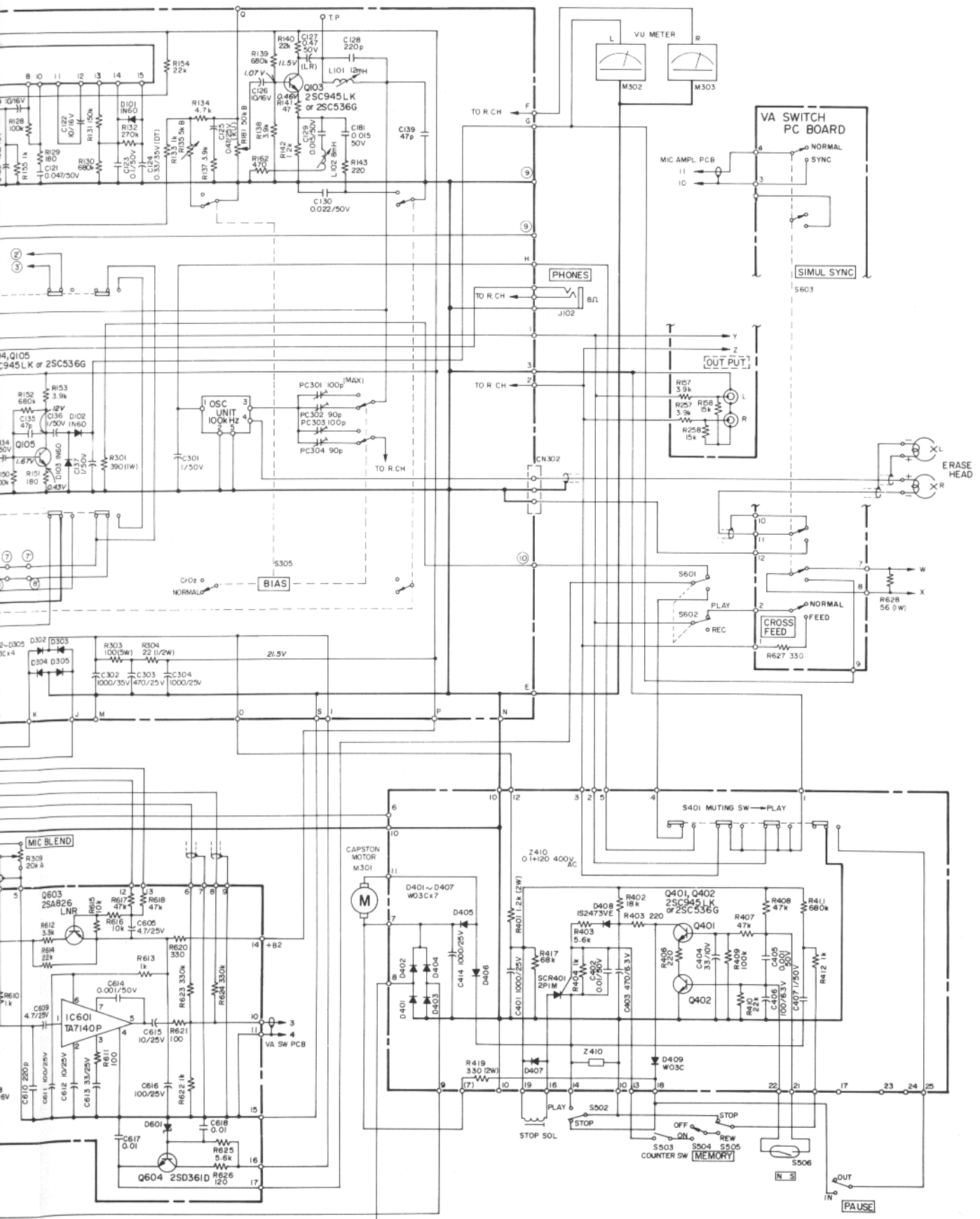
NOTICE REGARDING PARTS ORDERS

1. Do not order by only REF. NO.
2. In some instances, individual minor parts are not available. In this case, the entire assembly, including the part requested, will be sent to you.
3. Parts are identical between different models with the exceptions as coded by the designations in the REMARKS column.
4. PC Boards shown viewed from foil side.
5. Parts marked with * require longer delivery time than regular parts.



www.rtvcenter.com
 repair tips, servicemanuals
 forum, chassis pictures...





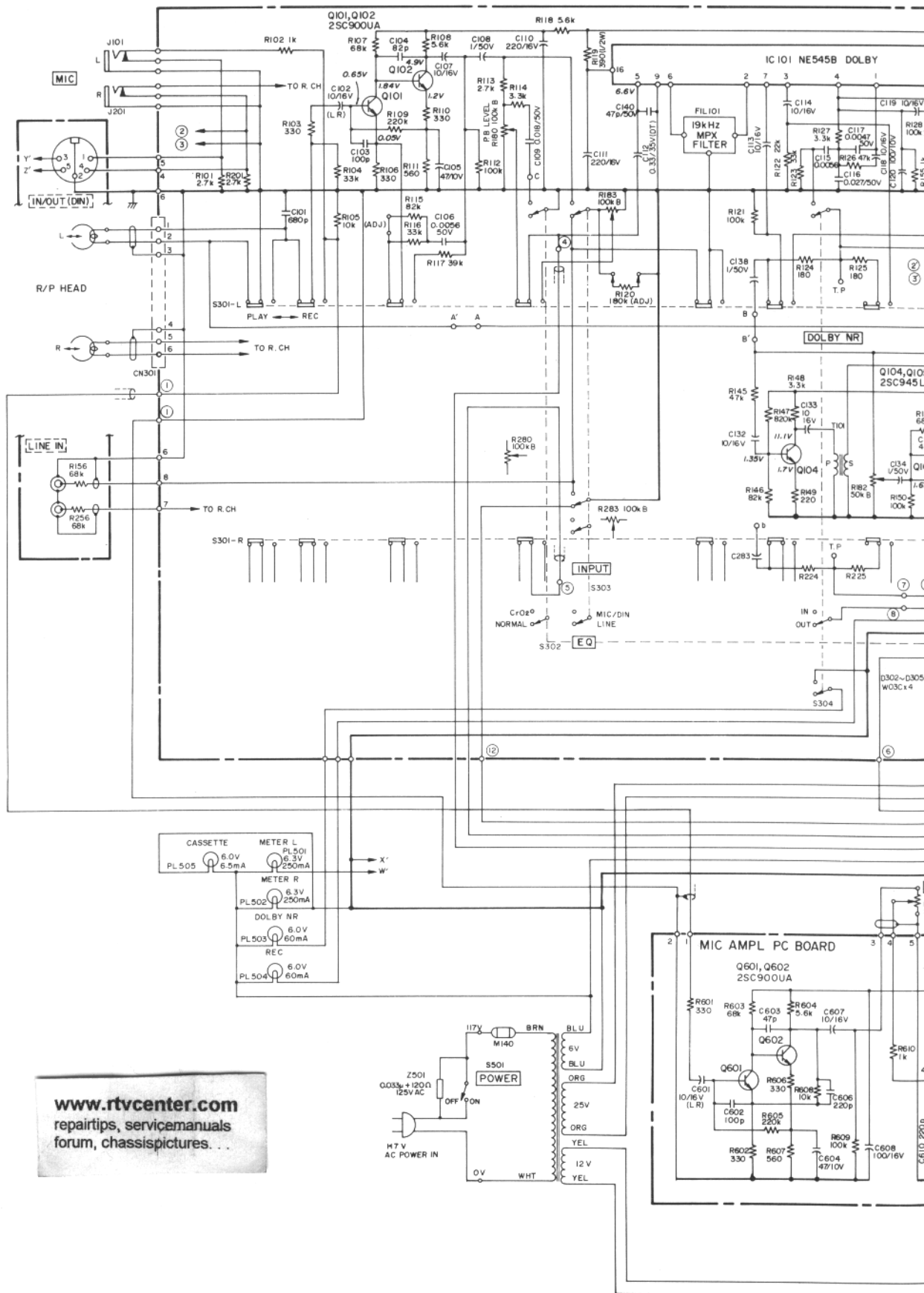
NOTES

1. ALL RESISTORS ARE 1/4 WATT, 5% UNLESS MARKED OTHERWISE. RESISTOR VALUES ARE IN OHMS (1=1,000 OHMS, M=1,000,000 OHMS).
2. ALL CAPACITOR VALUES ARE IN MICROFARADS (μ=PICOFARADS).
3. SCHEMATIC DIAGRAM SHOWN FOR LEFT CHANNEL, EXCEPT FOR SOME OF THE COMPONENTS.
4. DC VOLTAGES WERE MEASURED DURING RECORD PAUSE MODE.

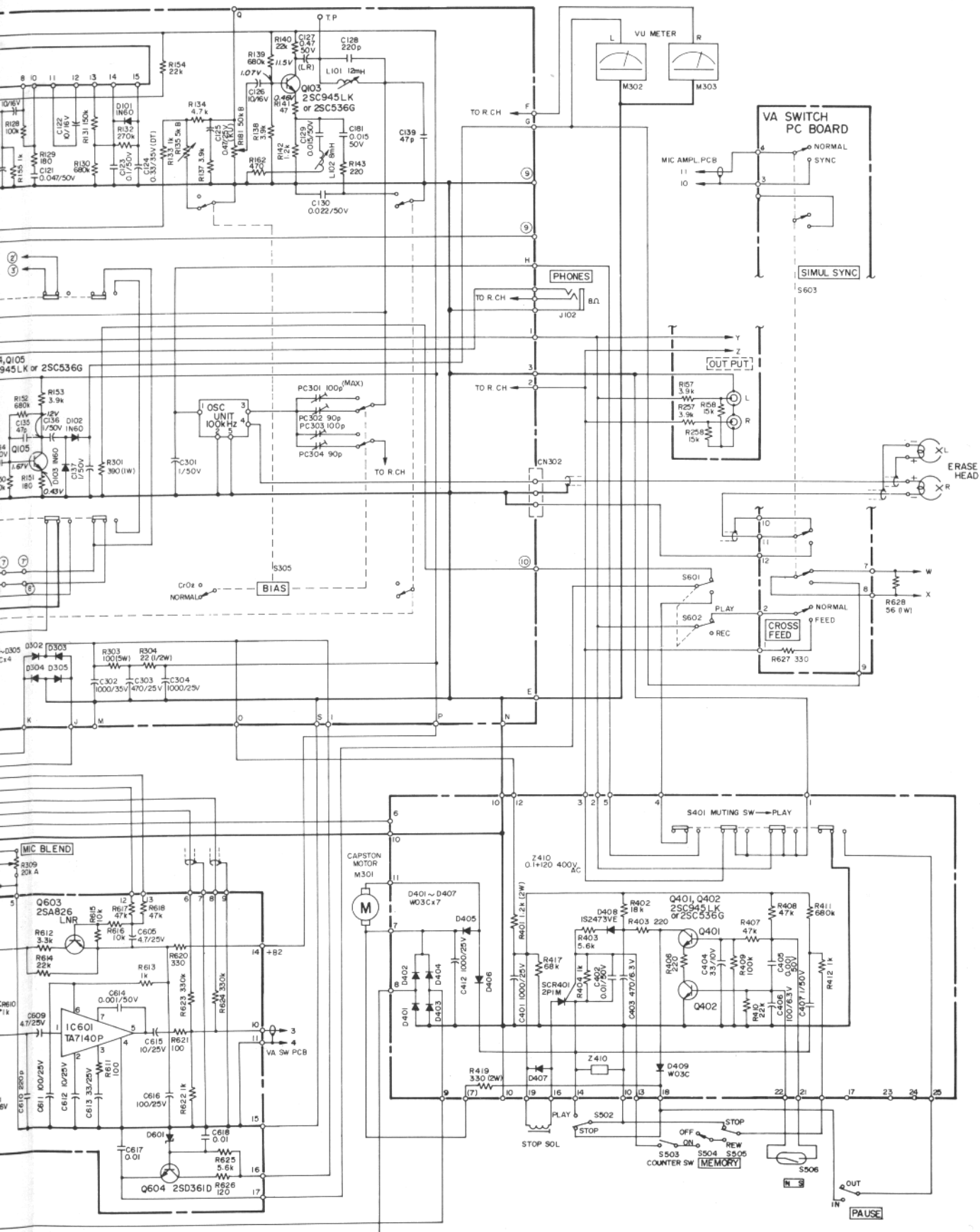
6			
5			
4			
3			
2	01-79		
1	10-78		
REVISION		DATE	CHANGE NO.

S-250

STEREO CASSETTE DECK
 MODEL NO. **A-108SYNC** SHEET NO. _____
TEAC CORPORATION



www.rtvcenter.com
 repair tips, service manuals
 forum, chassis pictures...



- NOTES
1. ALL RESISTORS ARE 1/4 WATT, 5% UNLESS MARKED OTHERWISE. RESISTOR VALUES ARE IN OHMS (k=1,000 OHMS, M=1,000,000 OHMS).
 2. ALL CAPACITOR VALUES ARE IN MICROFARADS (p=PICOFARADS).
 3. SCHEMATIC DIAGRAM SHOWN FOR LEFT CHANNEL EXCEPT FOR SOME OF THE COMPONENTS.
 4. DC VOLTAGES WERE MEASURED DURING RECORD PAUSE MODE.

S-264

STEREO CASSETTE DECK
 MODEL NO. **model 124 SYNCASET** SHEET NO. **1**

REVISION	DATE	CHANGE NO.

TEAC CORPORATION