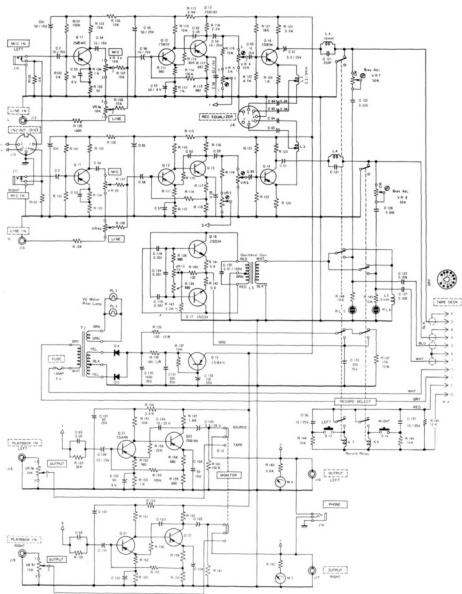


**A-4000S TAPE PLAYER, TAPE TRANSPORT MECHANISM SCHEMATIC DIAGRAM**

NOTE: COMPONENT VALUES ARE SUBJECT TO CHANGE WITHOUT NOTICE.





RA-405 RECORDING AMPLIFIER SCHEMATIC DIAGRAM

NOTE: COMPONENT VALUES ARE SUBJECT TO CHANGE WITHOUT NOTICE