

TEAC®

PARTS LIST

A-510/A-500

Stereo Cassette Deck with Dolby System

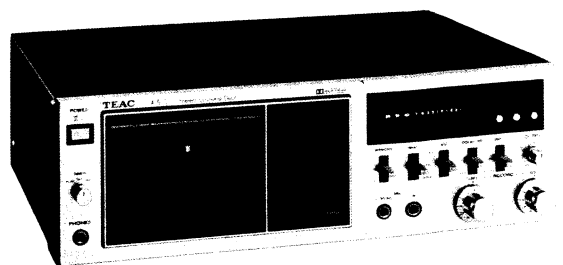


TABLE OF CONTENTS

- 1. EXPLODED VIEWS AND PARTS LIST . . . 2~11, 21
- INCLUDED ACCESSORIES 3

2. PCBOARD SECTION

- 2-1. REC/PLAY AMPL. PCB ASSY 12, 16
- 2-2. CONTROL PCB ASSY 13, 18
- 2-3. POWER SUPPLY PCB ASSY 14, 19
- 2-4. IN/OUTPUT PCB ASSY. 14, 20
- 2-5. JOINT PCB ASSY 15, 20
- 2-6. METER AMPL. PCB ASSY 15, 20

- ASSEMBLING HARDWARE CODING LIST 23

PARTS ORDERING INFORMATION

Spare parts are available through your nearest TEAC Authorized Service Center or directly from the TEAC office, the address of which is printed on the back cover. When ordering parts, always include the following information:

- | | |
|--------------|--------------------|
| 1. MODEL | 4. DESCRIPTION |
| 2. REF. NO. | 5. UNIT SERIAL NO. |
| 3. PARTS NO. | 6. MANUAL CODE NO. |

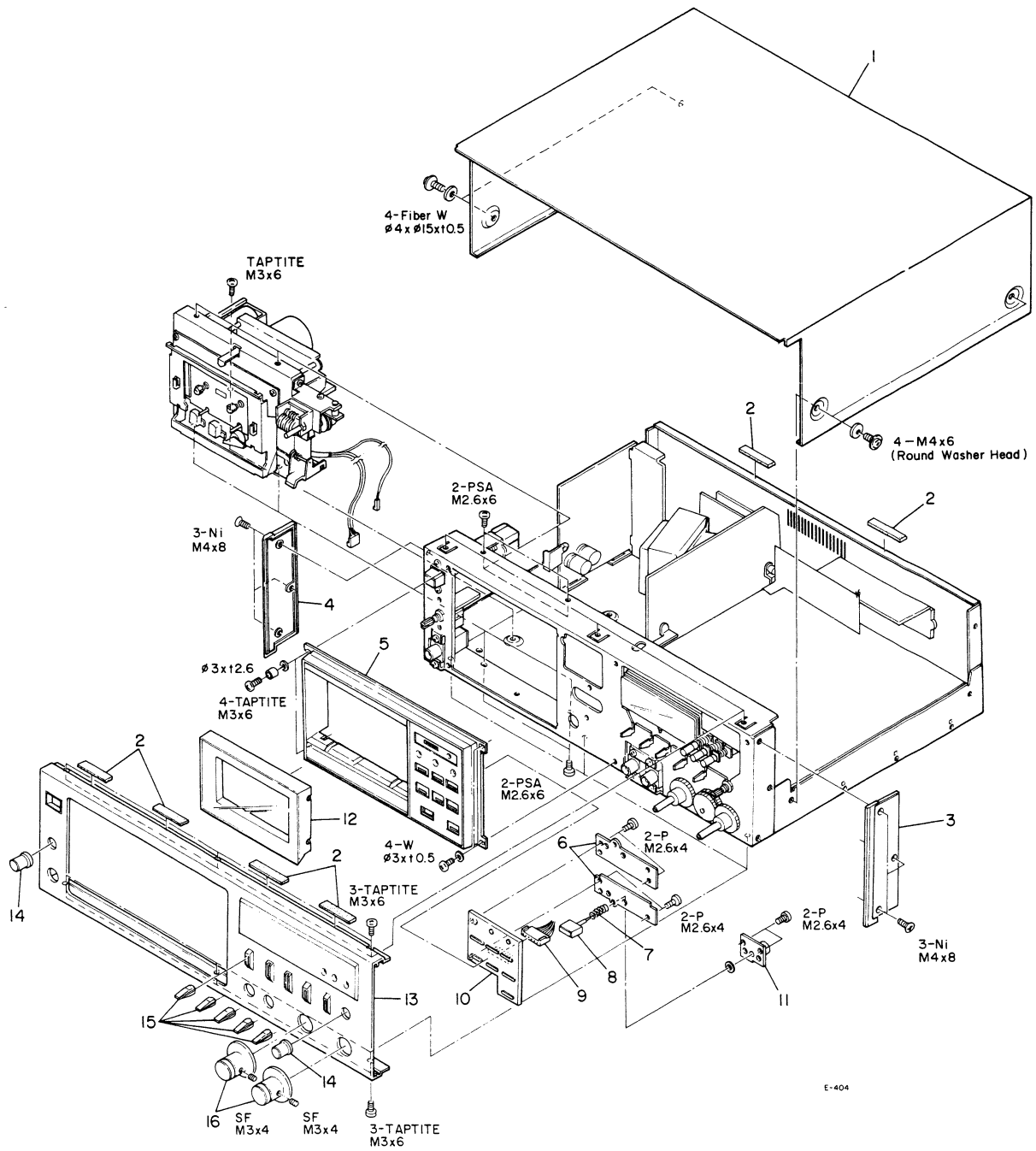
NOTICE REGARDING PARTS ORDERS

1. Do not order by only REF. NO.
2. In some instances, individual minor parts are not available. In this case, the entire assembly, including the part requested, will be sent to you.
3. Parts are identical between different models with the exceptions as coded by the designations in the REMARKS column.
4. PC Boards shown viewed from foil side.
5. Parts marked with * require longer delivery time than regular parts.
6. The f-510 and f-500 are JAPAN domestic models of the A-510 and A-500.

TEAC CORPORATION

1. EXPLODED VIEWS AND PARTS LIST SECTION

EXPLODED VIEW-1

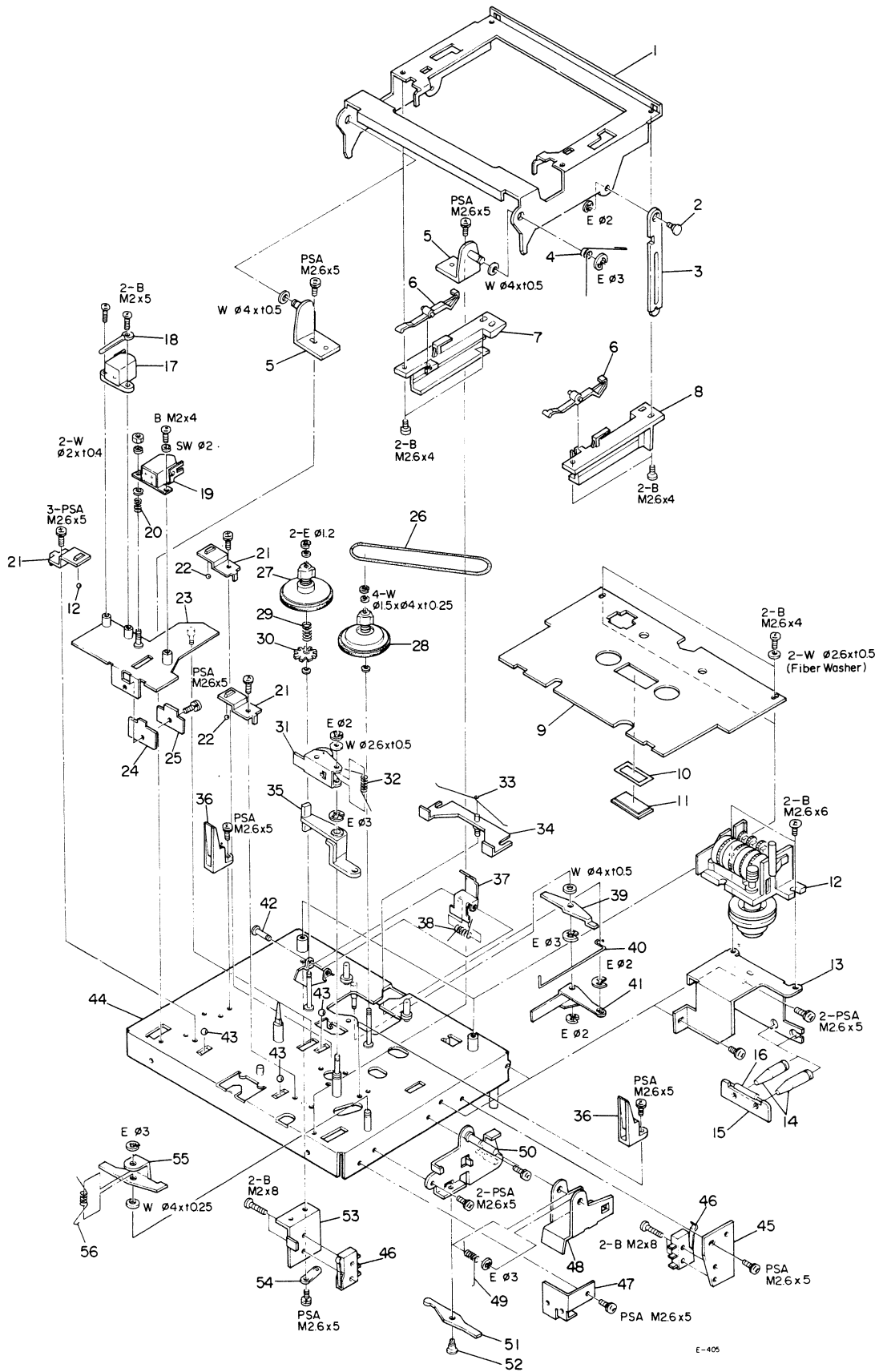


REF. NO.	PARTS NO.	DESCRIPTION	REMARKS
1 - 1	*55510321	Cover, Top	
1 - 2	*55555700	Cushion, Top Cover	
1 - 3	*55331710	Sash, Side; A	
1 - 4	*55331720	Sash, Side; B	
1 - 5	*55310191	Escutcheon, Cassette	
1 - 6	*55555691	Plate, Switch Pressure	
1 - 7	*55242060	Spring, Switch	
1 - 8	*55331681	Button, Eject	
1 - 9	*51221740	Connector, Socket; 12P	
1 - 10	51380080	Key Unit	
1 - 11	*55347170	Holder, Button	
1 - 12	55031871	Cover Assy, Cassette	
1 - 13	*55022080	Panel Assy, Front; B	f - 510
	*55022070	Panel Assy, Front; A	f - 500
	*55022150	Panel Assy, Front; C	A - 510
	*55022160	Panel Assy, Front; D	A - 500
1 - 14	55046800	Knob Assy, B	
1 - 15	55331200	Knob, Lever Switch	
1 - 16	55031900	Knob Assy, C	

INCLUDED ACCESSORIES

REF. NO.	PARTS NO.	DESCRIPTION	REMARKS
	51280650	Cord Assy, Input-output Connection	
	51013690	Information Supplement, Cassette	JAPAN
	51013450	Information Supplement, Cassette	U.S.A.
	51014950	Information Supplement, Cassette	All except JAPAN, U.S.A.
	51015880	f-510 Owner's Manual	JAPAN
	51015890	A-510 Owner's Manual	U.S.A.
	51015900	A-510 Owner's Manual	All except JAPAN, U.S.A.
	51015850	f-500 Owner's Manual	JAPAN
	51015860	A-500 Owner's Manual	U.S.A.
	51015870	A-500 Owner's Manual	All except JAPAN, U.S.A.

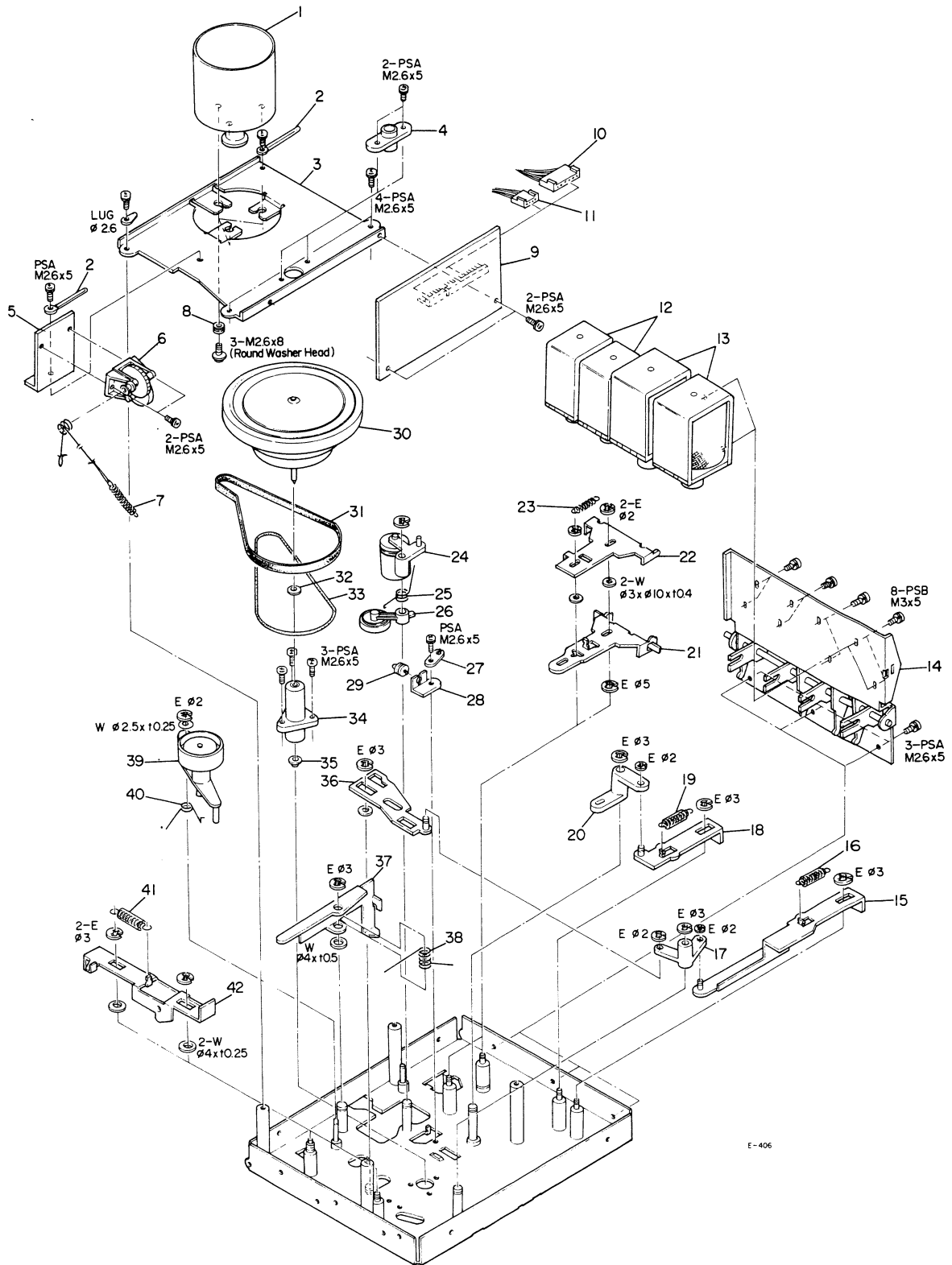
EXPLODED VIEW-2



E-405

REF. NO.	PARTS NO.	DESCRIPTION	REMARKS
2 - 1	*55532670	Holder, Cassette	
2 - 2	*55449580	Shaft, Lock Plate	
2 - 3	*55346120	Plate, Lock	
2 - 4	*55242020	Spring, Holder	
2 - 5	*55346151	Lever, Cassette Pressure	
2 - 6	55346150	Spring, Cassette Pressure	
2 - 7	55346140	Guide, Cassette; R	
2 - 8	55346130	Guide, Cassette; L	
2 - 9	*55555540	Plate, Cassette Holder	
2 - 10	*55550880	Tape, Adhesive	
2 - 11	*55344430	Lens, Lamp	
2 - 12	55046600	Counter Assy	
2 - 13	*55555350	Bracket, Counter Assy	
2 - 14	*55344480	Cushion, Rubber	
2 - 15	*51685490	PCB Assy, REED SWITCH	
	51675490	PCB, REED SWITCH	Part of 2 - 15
2 - 16	*51380060	Switch, Reed	Part of 2 - 15
2 - 17	55696010	Head, Erase	
2 - 18	*55810620	Clamper, Cord; E	
2 - 19	50660211	Head, REC/PLAY	
2 - 20	*55200021	Spring, REC/PLAY Head	
2 - 21	*55555330	Pressure Plate, Head Base Plate	
2 - 22	*55400550	Steel Ball, ϕ 2	
2 - 23	*55046560	Plate Assy, Head Base	
2 - 24	*55555300	Plate, Head Base; A	
2 - 25	*55555310	Plate, Head Base; B	
2 - 26	55346170	Belt, Counter	
2 - 27	55044650	Reel Table Assy, Supply	
2 - 28	55044640	Reel Table Assy, Take-up	
2 - 29	*55241150	Spring, Friction Plate	
2 - 30	*55343040	Plate, Friction	
2 - 31	55046570	Arm Assy, Pinch Roller	
2 - 32	*55241930	Spring, Pinch Roller	
2 - 33	*55203330	Spring, Brake	
2 - 34	*55046690	Plate Assy, Brake	
2 - 35	*55346060	Arm Assy, Pinch Roller Actuating	
2 - 36	*55344441	Guide, Cassette	
2 - 37	*55555440	Lever, Safety; D	
2 - 38	*55241970	Spring, Safety Lever	
2 - 39	*55555460	Arm, Pressure; B	
2 - 40	*55241960	Rod, Brake Actuating	
2 - 41	*55555410	Arm, Brake Actuating	
2 - 42	*55446560	Shaft, Safety Lever	
2 - 43	*55400560	Steel Ball, ϕ 3	
2 - 44	*55022061	Chassis, Mechanism	
2 - 45	*55555480	Bracket, Switch; B	
2 - 46	51300030	Switch, Micro	
2 - 47	*55555560	Angle, Spring	
2 - 48	*55555510	Arm, Eject	
2 - 49	*55242010	Spring, Eject Arm	
2 - 50	*55046710	Holder Assy, Switch	
2 - 51	*55555520	Arm, Eject	
2 - 52	*55810550	Screw, Shoulder; D	
2 - 53	*55555430	Bracket, Switch; A	
2 - 54	*55551970	Clamper, Cord	
2 - 55	*55555490	Arm, Eject Preventing	
2 - 56	*55242000	Spring, Preventing Arm	

EXPLODED VIEW-3



E-406

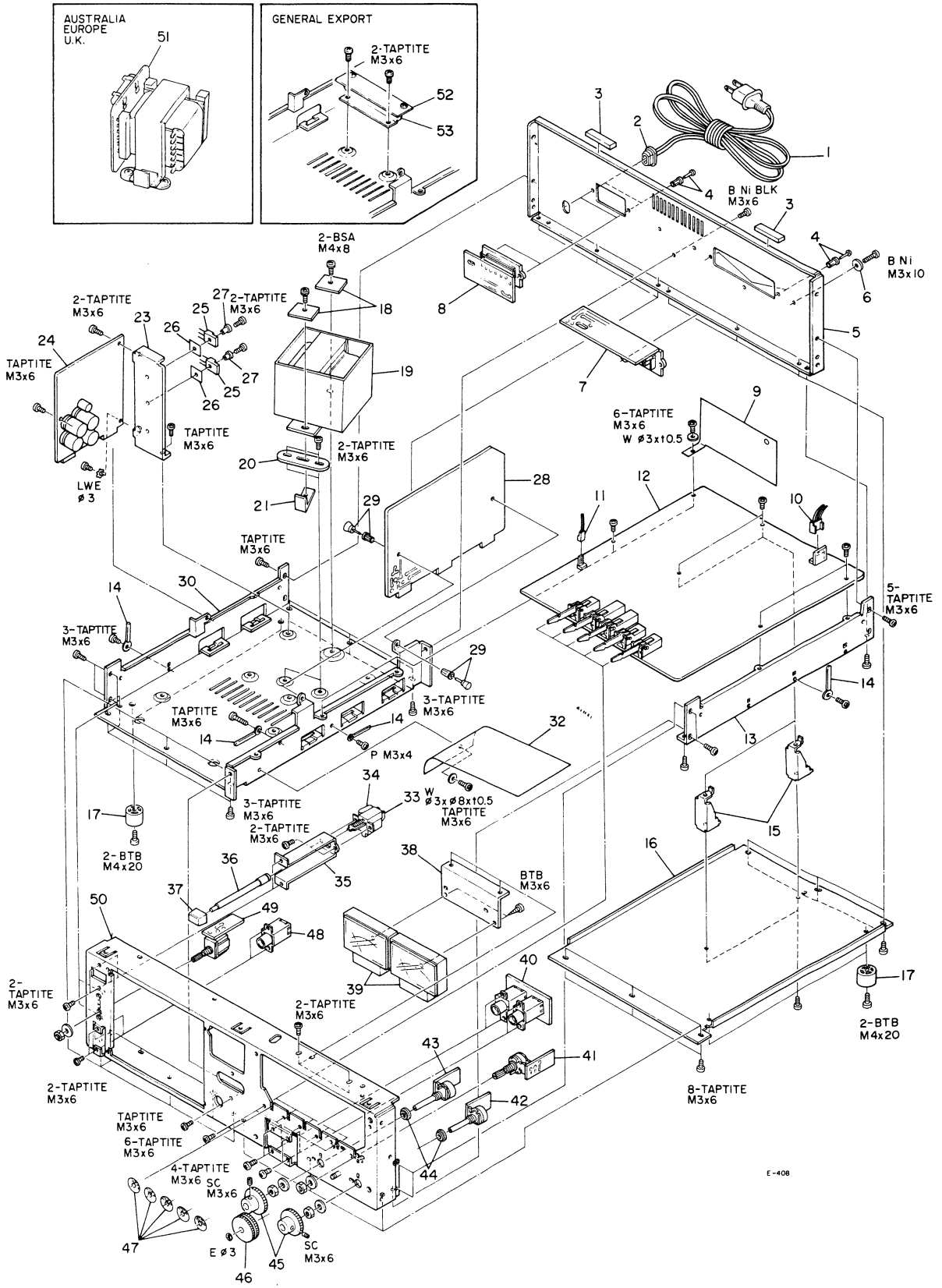
REF. NO.	PARTS NO.	DESCRIPTION	REMARKS
3 - 1	71051320	Motor Assy, DC	
3 - 2	*55810380	Clamper, Cord; A	
3 - 3	*55555340	Plate, DC Motor	
3 - 4	*55342770	Bearing, Flywheel	
3 - 5	*55555550	Bracket, Damper	
3 - 6	*55046730	Holder Assy, Damper; C	
3 - 7	*55242030	Spring, Damper	
3 - 8	*55345370	Cushion, Rubber	
3 - 9	*51688020	PCB Assy, JOINT	
3 - 10	*51221680	Connector, Socket; 6P	
3 - 11	*51221640	Connector, Socket; 2P	
3 - 12	51630400	Solenoid, B	
3 - 13	51630391	Solenoid, A	
3 - 14	*55031820	Bracket Assy, Solenoid	
3 - 15	*55046660	Lever Assy, Pause Actuating	
3 - 16	*55241950	Spring, Pause Actuating	
3 - 17	*55346110	Arm, Pause Actuating	
3 - 18	*55046650	Lever Assy, Actuating	
3 - 19	*55242130	Spring, Actuating; A	
3 - 20	*55346100	Arm, Head Base Plate Actuating	
3 - 21	*55046680	Lever Assy, FF; A	
3 - 22	*55555400	Plate, Brake Actuating; B	
3 - 23	*55203320	Spring, Lever; B	
3 - 24	55046620	Arm Assy, FF; C	
3 - 25	*55241940	Spring, FF Arm; B	
3 - 26	55046630	Arm Assy, FF; D	
3 - 27	*55551970	Clamper, Cord	
3 - 28	*55555420	Bracket, Lamp; A	
3 - 29	51420890	Lamp	
3 - 30	55046590	Flywheel Assy, Capstan	
3 - 31	55344460	Belt, Capstan Drive	
3 - 32	*55500310	Washer, Thrust	
3 - 33	55344160	Belt, Fast Wind	
3 - 34	55040910	Housing Assy, Capstan	
3 - 35	*55341300	Washer, Oil Retaining	
3 - 36	*55046670	Lever Assy, Pause	
3 - 37	*55555450	Arm, Pressure; A	
3 - 38	*55241980	Spring, Pressure Arm	
3 - 39	55046610	Pulley Assy, Tension	
3 - 40	*55203300	Spring, Tension	
3 - 41	*55241990	Spring, Eject	
3 - 42	*55046700	Lever Assy, Eject	

REF. NO.	PARTS NO.	DESCRIPTION	REMARKS
4 - 1	*51280340	Cord, AC Power	JAPAN, GENERAL EXPORT
	*51280750	Cord, AC Power	U.S.A., CANADA
	*51280170	Cord, AC Power	EUROPE
	*51280360	Cord, AC Power	U.K.
	*51280360	Cord, AC Power	AUSTRALIA
4 - 2	*55346600	Strain Relief, AC Power Cord	All except U.K., AUSTRALIA
	*55346610	Strain Relief, AC Power Cord	U.K.
	*55346630	Strain Relief, AC Power Cord	AUSTRALIA
4 - 3	*55555700	Cushion, Top Cover; B	
4 - 4	*55341180	Push Rivet	
4 - 5	*55523390	Panel, Rear	
4 - 6	*55550630	Washer, GND	All except U.K., EUROPE
4 - 7	*51687950	PCB Assy, IN/OUTPUT	
4 - 8	*51688010	PCB Assy, REMOTE CONTROL	
	*51678010	PCB, REMOTE CONTROL	Part of 4 - 8
	*51223360	Connector, Socket; 12P	Part of 4 - 8
	*51814840	Carbon Res., 1.2 k ohm 1/4W 5% (R951~R953)	Part of 4 - 8
4 - 9	*55556280	Paper, Shield; A	
4 - 10	*51221680	Connector, Socket; 6P	
4 - 11	*51221640	Connector, Socket; 2P	
4 - 12	*51688792	PCB Assy, REC/PLAY AMPL.	
4 - 13	*55532691	Chassis, Side	
4 - 14	*55810380	Clamper, Cord; A	
4 - 15	*55555652	Bracket, PCB	
4 - 16	*55523401	Chassis, Bottom	
4 - 17	*55046760	Foot	
4 - 18	*55556260	Washer, Transformer	
4 - 19	51521751	Transformer, Power	JAPAN
	51521761	Transformer, Power	U.S.A., CANADA
	51521781	Transformer, Power	EUROPE, U.K., AUSTRALIA
	51521801	Transformer, Power	GENERAL EXPORT
4 - 20	*55556300	Spacer, Transformer; A	
4 - 21	*55556320	Nut, L	
4 - 22		(Not used)	
4 - 23	*55555640	Heat Sink	
4 - 24	*51687982	PCB Assy, POWER SUPPLY	
4 - 25	*51450870	Transistor, 2SD313E	Part of 4 - 24
4 - 26	*50332910	Plate, Insulating	Part of 4 - 24
4 - 27	*50332950	Tube, Insulating	Part of 4 - 24
4 - 28	*51687973	PCB Assy, CONTROL	
4 - 29	*55344730	Rivet, T-type	
4 - 30	*55510312	Chassis, Amplifier	
4 - 31		(Not used)	
4 - 32	*55555630	Paper, Shield	
4 - 33	*51340360	Switch, POWER	JAPAN, GENERAL EXPORT, AUSTRALIA
	*51340370	Switch, POWER	U.S.A.
	*51340180	Switch, POWER	CANADA
	*51340110	Switch, POWER	EUROPE, U.K.
4 - 34	*50529050	Spark Killer, 0.1 mfd + 120 ohm 400V AC	JAPAN
	*50529060	Spark Killer, 0.033 mfd + 120 ohm 125V AC	U.S.A.
	*50529110	Spark Killer, 0.033 mfd + 120 ohm 250V AC	CANADA
	*50529080	Spark Killer, 4700 pfd 250V AC	EUROPE, U.K.
	*50529070	Spark Killer, 0.01 mfd + 300 ohm 400V AC	GENERAL EXPORT, AUSTRALIA
4 - 35	*55555610	Bracket, POWER Switch	
4 - 36	*55344221	Rod, POWER Switch	
4 - 37	*55344310	Button, B	
4 - 38	*55555620	Bracket, Meter	
4 - 39	*51221720	Connector, Socket; 10P	
4 - 40	50400980	METER, FL Peak Level	

(Continued on page 21)

EXPLODED VIEW-5

f-500, A-500



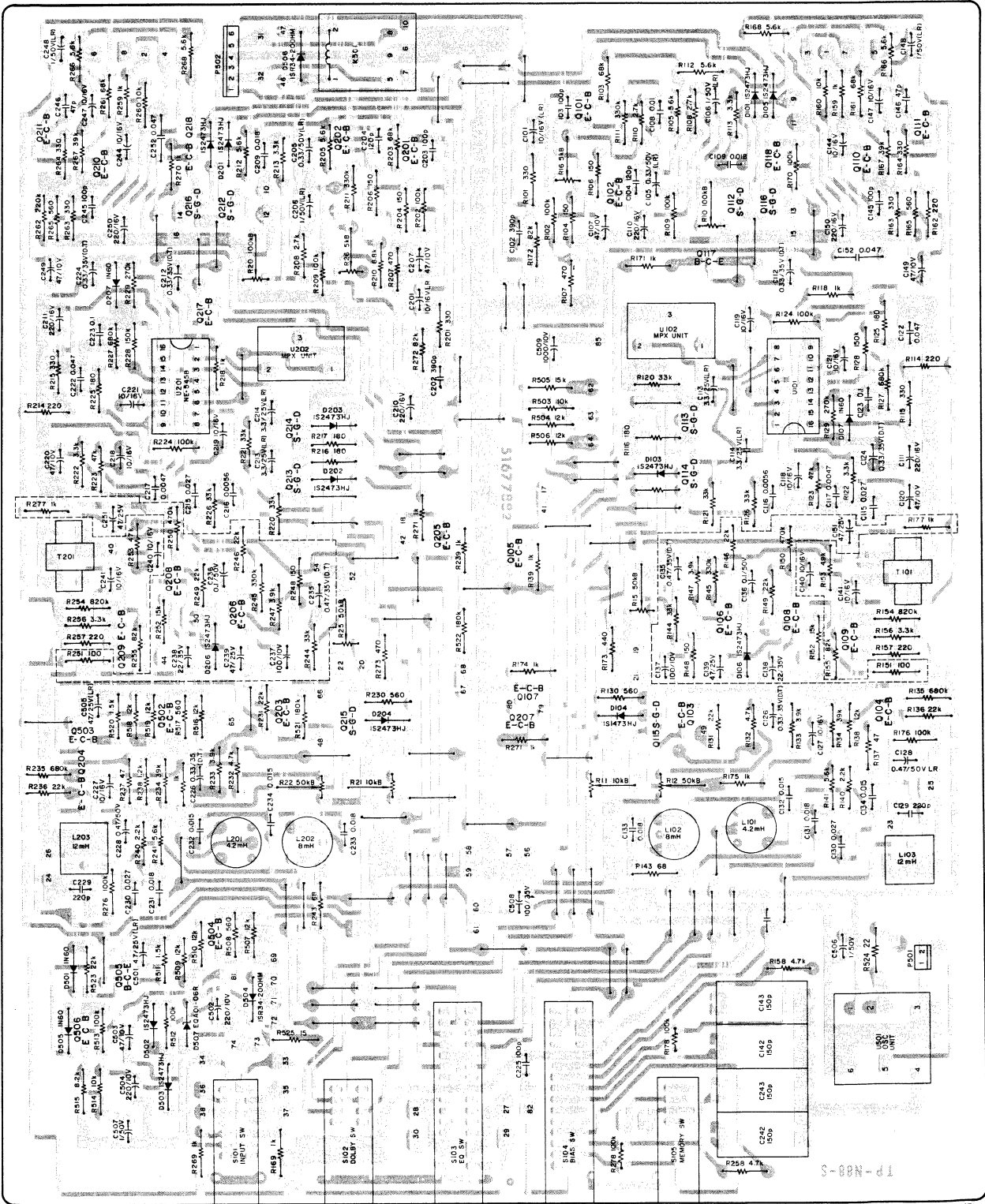
E-408

REF. NO.	PARTS NO.	DESCRIPTION	REMARKS
5 - 1	*51280340	Cord, AC Power	JAPAN, GENERAL EXPORT
	*51280750	Cord, AC Power	U.S.A., CANADA
	*51280170	Cord, AC Power	EUROPE
	*51280360	Cord, AC Power	U.K.
	*51280310	Cord, AC Power	AUSTRALIA
5 - 2	*55346600	Strain Relief, AC Power Cord	All except U.K., AUSTRALIA
	*55346610	Strain Relief, AC Power Cord	U.K.
	*55346630	Strain Relief, AC Power Cord	AUSTRALIA
5 - 3	*55555700	Cushion, Top Cover; B	
5 - 4	*55341180	Push Rivet	
5 - 5	*55523390	Panel, Rear	
5 - 6	*55550630	Washer, GND	All except U.K., EUROPE
5 - 7	*51687950	PCB Assy, IN/OUTPUT	
5 - 8	*51688010	PCB Assy, REMOTE CONTROL	
	*51678010	PCB, REMOTE CONTROL	Part of 5 - 8
	*51223360	Connector, Socket; 12P	Part of 5 - 8
	*51814840	Carbon Res., 1.2 k ohm 1/4W 5% (R951 ~ R953)	Part of 5 - 8
5 - 9	*55556280	Paper, Shield; A	
5 - 10	*51221680	Connector, Socket; 6P	
5 - 11	*51221640	Connector, Socket; 2P	
5 - 12	*51687881	PCB Assy, REC/PLAY AMPL.	
5 - 13	*55532691	Chassis, Side	
5 - 14	*55810380	Clamper, Cord; A	
5 - 15	*55555652	Bracket, PCB	
5 - 16	*55523401	Chassis, Bottom	
5 - 17	*55046760	Foot	
5 - 18	*55556260	Washer, Transformer	
5 - 19	*51521811	Transformer, Power	JAPAN
	*51521821	Transformer, Power	U.S.A., CANADA
	*51521841	Transformer, Power	EUROPE, U.K., AUSTRALIA
	*51521861	Transformer, Power	GENERAL EXPORT
5 - 20	*55556300	Spacer, Transformer; A	
5 - 21	*55556320	Nut, L	
5 - 22		(Not used)	
5 - 23	*55555640	Heat Sink	
5 - 24	*51688342	PCB Assy, POWER SUPPLY	
5 - 25	*51450870	Transistor, 2SD313E	Part of 5 - 24
5 - 26	*50332910	Plate, Insulating	Part of 5 - 24
5 - 27	*50332950	Tube, Insulating	Part of 5 - 24
5 - 28	*51687973	PCB Assy, CONTROL	
5 - 29	*55344730	Rivet, T-type	
5 - 30	*55510312	Chassis, Amplifier	
5 - 31		(Not used)	
5 - 32	*55555630	Paper, Shield	
5 - 33	*51340360	Switch, POWER	JAPAN, GENERAL EXPORT AUSTRALIA
	*51340370	Switch, POWER	U.S.A.
	*51340180	Switch, POWER	CANADA
	*51340110	Switch, POWER	EUROPE, U.K.
5 - 34	*50529050	Spark Killer, 0.1 mfd + 120 ohm 400V AC	JAPAN
	*50529060	Spark Killer, 0.033 mfd + 120 ohm 125V AC	U.S.A.
	*50529110	Spark Killer, 0.033 mfd + 120 ohm 250V AC	CANADA
	*50529080	Spark Killer, 4700 pfd 250V AC	EUROPE, U.K.
	*50529070	Spark Killer, 0.01 mfd + 300 ohm 400V AC	GENERAL EXPORT, AUSTRALIA
5 - 35	*55555610	Bracket, POWER Switch	
5 - 36	*55344221	Rod, POWER Switch	
5 - 37	*55344310	Button, B	
5 - 38	*55555620	Bracket, Meter	
5 - 39	51650590	Meter, Peak Level	
5 - 40	*51687930	PCB Assy, MIC JACK	
	*51677930	PCB, MIC JACK	Part of 5 - 40
	*51240281	Jack, MIC; w/Switch (J301)	Part of 5 - 40

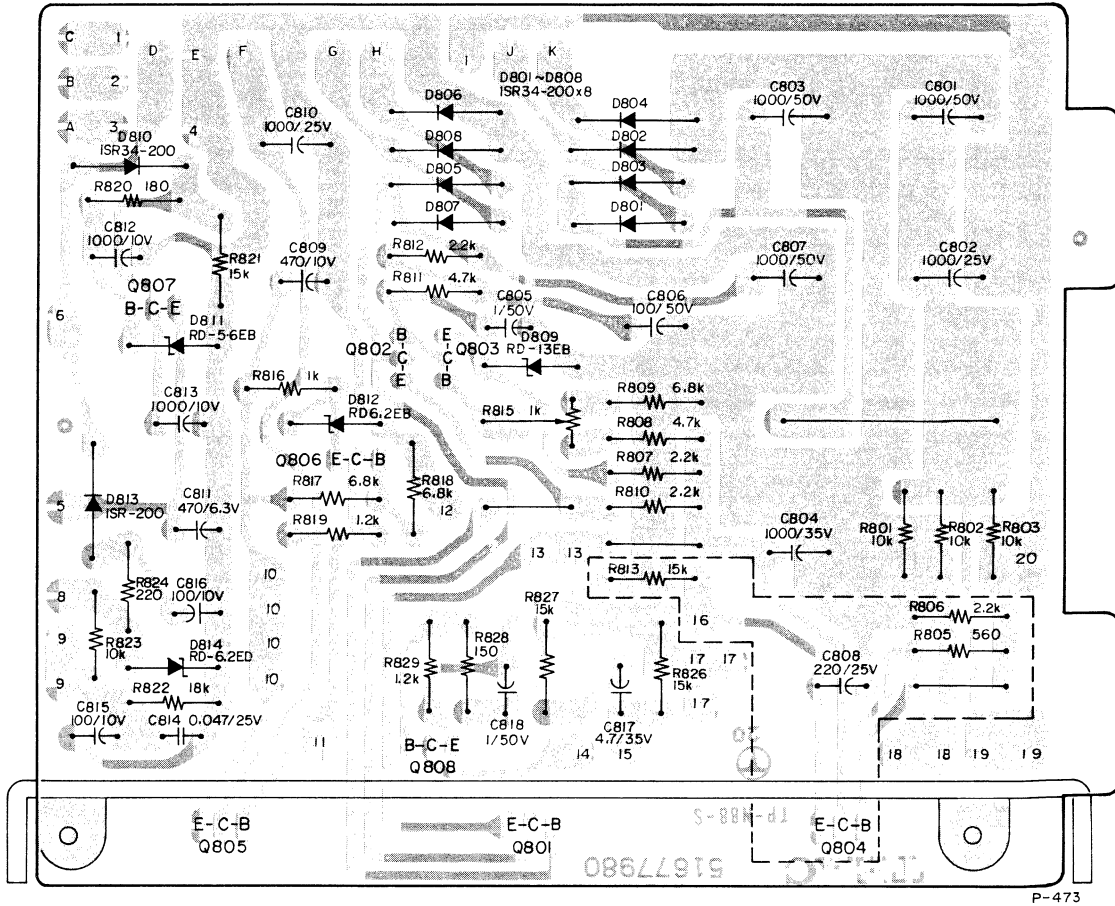
(Continued on page 21)

2. PC BOARD SECTION(Diagram)

2-1. REC/PLAY AMPL. PCB ASSY

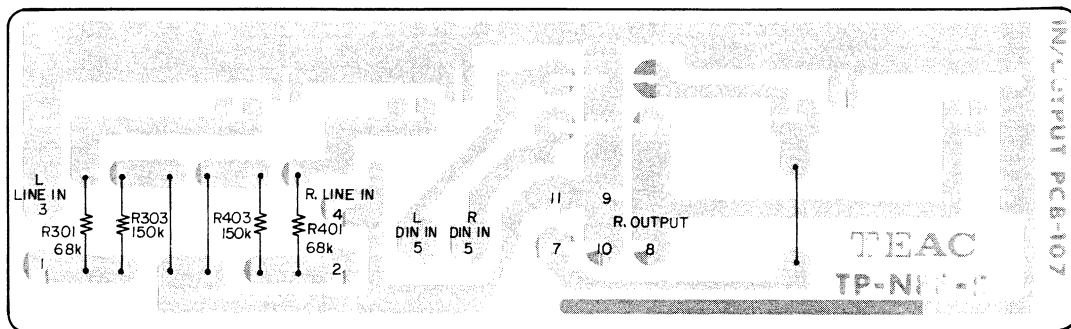


2-3. POWER SUPPLY PCB ASSY



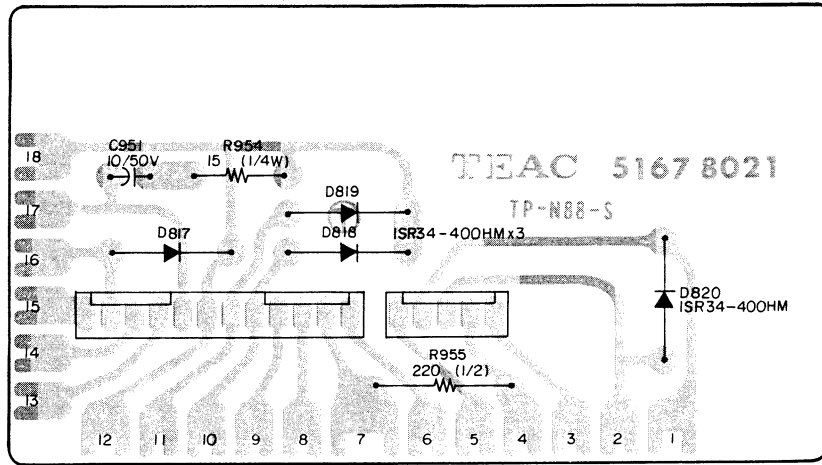
P-473

2-4. IN/OUTPUT PCB ASSY



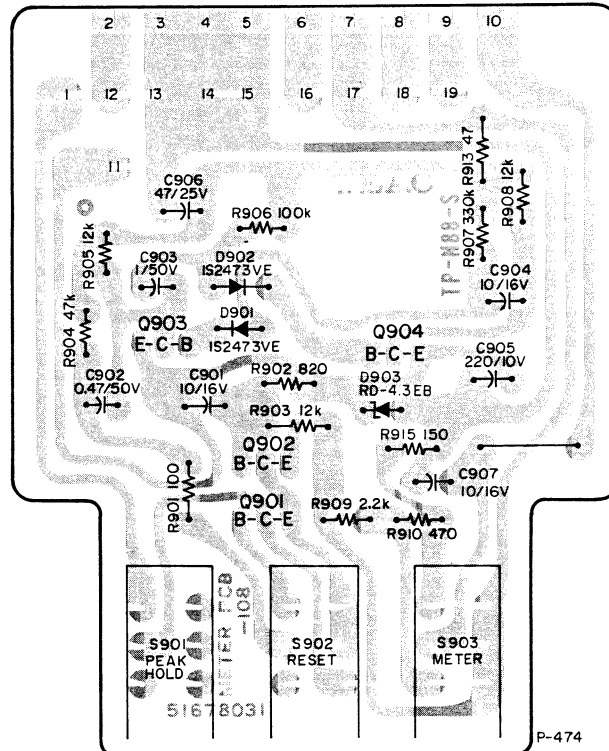
P-476

2-5. JOINT PCB ASSY



P-475

2-6. METER AMPL. PCB ASSY (f-510, A-510)



P-474

2. PC BOARD SECTION (Parts List)

2-1. REC/PLAY AMPL. PCB ASSY

REF. NO.	PARTS NO.	DESCRIPTION
	51688792	PCB Assy, REC/PLAY AMPL. (f-510, A-510)
	51687882	PCB Assy, REC/PLAY AMPL. (f-500, A-500)
	51677882	PCB, REC/PLAY AMPL.
	IC's	
U101, U201	50427280	Dolby, NE545B
	TRANSISTORS	
Q101, Q201	51450340	2SC900UA
Q102, Q202	51450340	2SC900UA
Q103, Q203	51450860	2SC1636-2
Q104, Q204	51450340	2SC900UA
Q105, Q205	51450860	2SC1636-2
Q106, Q206	51451220	2SC2021LNF(S) (f-500, A-500)
Q107, Q207	51451220	2SC2021LNF(S) (f-500, A-500)
Q108, Q208	51450860	2SC1636-2 (f-500, A-500)
Q109, Q209	51451220	2SC2021LNF(S)
Q110, Q210	51450340	2SC900UA
Q111, Q211	51451220	2SC2021LNF(S)
Q112, Q212	51451020	FET, 2SK68AL
Q113, Q213	51451020	FET, 2SK68AL
Q114, Q214	51451020	FET, 2SK68AL
Q115, Q215	51451020	FET, 2SK68AL
Q116, Q216	51451020	FET, 2SK68AL
Q117, Q217	51451220	2SC2021LNF(S)
Q118, Q218	51451220	2SC2021LNF(S)
Q502	51451220	2SC2021LNF(S)
Q503	51451230	2SA786LNR
Q504	51451220	2SC2021LNF(S)
Q505, Q506	51451230	2SA786LNR
	DIODES	
D101, D201	51431180	1S2473HJ
D102, D202	51431180	1S2473HJ
D103, D203	51431180	1S2473HJ
D104, D204	51431180	1S2473HJ
D105, D205	51431180	1S2473HJ
D106, D206	51431180	1S2473HJ
D107, D207	50422130	1N60
D501	50422130	1N60
D502, D503	51431180	1S2473HJ
D504	51431130	1SR34-200HM
D505	50422130	1N60
D506	51431130	1SR34-200HM
D507	51431530	Zener, EQA01-06A
	RESISTORS	
All resistors are rated $\pm 5\%$ tolerance, $\frac{1}{4}W$ and of carbon type unless otherwise noted.		
R101, R201	51814700	330 ohm
R102, R202	51815300	100 k ohm
R103, R203	51815260	68 k ohm
R104, R204	51814620	150 ohm
R105, R205	51815000	5.6 k ohm
R106, R206	51815260	150 ohm
R107, R207	51814740	470 ohm

REF. NO.	PARTS NO.	DESCRIPTION
R108, R208	51814920	2.7 k ohm
R109, R209	51815020	100 k ohm
R110, R210	51815060	6.8 k ohm
R111, R211	51815420	330 k ohm
R112, R212	51815000	5.6 k ohm
R113, R213	51814940	3.3 k ohm
R114, R214	51814660	220 ohm
R115, R215	51814700	330 ohm
R116, R216	51814640	180 ohm
R117, R217	51814640	180 ohm
R118, R218	51814820	1 k ohm
R120, R220	51815180	33 k ohm
R121, R221	51815180	33 k ohm
R122, R222	51814940	3.3 k ohm
R123, R223	51815220	47 k ohm
R124, R224	51815300	100 k ohm
R125, R225	51814640	180 ohm
R126, R226	51815180	33 k ohm
R127, R227	51815500	680 k ohm
R128, R228	51815340	150 k ohm
R129, R229	51815400	270 k ohm
R130, R230	51814760	560 ohm
R131, R231	51815140	22 k ohm
R132, R232	51814980	4.7 k ohm
R133, R233	51814960	3.9 k ohm
R134, R234	51815220	39 k ohm
R135, R235	51815500	680 k ohm
R136, R236	51815140	22 k ohm
R137, R237	51814500	47 ohm
R138, R238	51814840	1.2 k ohm
R139, R239	51814820	1 k ohm
R140, R240	51814900	2.2 k ohm
R141, R241	51815000	5.6 k ohm
R143, R243	51814540	68 ohm
R144, R244	51815180	33 k ohm (f-500, A-500)
R145, R245	51815420	330 k ohm (f-500, A-500)
R146, R246	51815140	22 k ohm (f-500, A-500)
R147, R247	51814960	3.9 k ohm (f-500, A-500)
R148, R248	51814620	150 ohm (f-500, A-500)
R149, R249	51815140	22 k ohm (f-500, A-500)
R150, R250	51815460	470 k ohm (f-500, A-500)
R151, R251	51842490	100 ohm, Non flammable (f-500, A-500)
R152, R252	51815100	15 k ohm (f-500, A-500)
R153, R253	51815220	47 k ohm
R154, R254	51815520	820 k ohm
R155, R255	51815280	82 k ohm
R156, R256	51814940	3.3 k ohm
R157, R257	51814660	220 ohm
R158, R258	51814980	4.7 k ohm
R159, R259	51814820	1 k ohm
R160, R260	51815060	10 k ohm
R161, R261	51815260	68 k ohm
R162, R262	51815380	220 k ohm
R163, R263	51814700	330 ohm
R164, R264	51814700	330 ohm
R165, R265	51814760	560 ohm
R166, R266	51815000	5.6 k ohm
R167, R267	51815200	39 k ohm
R168, R268	51815000	5.6 k ohm
R169, R269	51814820	1 k ohm
R170, R270	51815300	100 k ohm
R171, R271	51814820	1 k ohm

REF. NO.	PARTS NO.	DESCRIPTION
R172, R272	51815280	82 k ohm
R173, R273	51814740	470 ohm
R174, R274	51814820	1 k ohm
R175, R275	51814820	1 k ohm
R176, R276	51815300	100 k ohm
R177, R277	51814820	1 k ohm (f-500, A-500)
R178, R278	50571300	100 k ohm
R503	51815060	10 k ohm
R504	51815080	12 k ohm
R505	51815100	15 k ohm
R506, R507	51815080	12 k ohm
R508	51814760	560 ohm
R509, R510	51815080	12 k ohm
R511	51814860	1.5 k ohm
R512, R513	51815300	100 k ohm
R514	51814960	10 k ohm
R515	51815040	8.2 k ohm
R516	51815080	12 k ohm
R517	51814760	560 ohm
R518, R519	51815080	12 k ohm
R520	51814860	1.5 k ohm
R521, R522	51815360	180 k ohm
R523	51815140	22 k ohm
R524	51814420	22 ohm
R525	51818280	15 ohm, Non flammable

CAPACITORS

C101, C201	51715900	Elec.	10 mfd	16V 20%
C102, C202	51723190	Ceramic	390 pfd	
C103, C203	51723120	Ceramic	100 pfd	
C104, C204	51723130	Ceramic	120 pfd	
C105, C205	51715820	Elec.	0.33 mfd 50V	20% (LR)
C106, C206	51715590	Elec.	1 mfd	50V (LR)
C107, C207	51719678	Elec.	47 mfd	10V
C108, C208	51718560	Mylar	0.01 mfd	50V 5%
C109, C209	51718620	Mylar	0.018 mfd	50V 5%
C110, C210	51719878	Elec.	220 mfd	16V
C111, C211	51719878	Elec.	220 mfd	16V
C112, C212	51716420	Dip. Tant.	0.33 mfd	35V
C113, C213	51715610	Elec.	3.3 mfd	25V (LR)
C114, C214	51715610	Elec.	3.3 mfd	25V (LR)
C115, C215	51718660	Mylar	0.027 mfd	50V 5%
C116, C216	51703700	Mylar	0.0056 mfd	50V 5%
C117, C217	51703680	Mylar	0.0047 mfd	50V 5%
C118, C218	51719398	Elec.	10 mfd	16V
C119, C219	51719398	Elec.	10 mfd	16V
C120, C220	51719678	Elec.	47 mfd	10V
C121, C221	51719390	Elec.	10 mfd	16V
C122, C222	51718720	Mylar	0.047 mfd	50V 5%
C123, C223	51718780	Mylar	0.1 mfd	50V 5%
C124, C224	51716420	Dip. Tant.	0.33 mfd	35V
C125, C225	51723120	Ceramic	100 pfd	
C126, C226	51716420	Dip. Tant.	0.33 mfd	35V
C127, C227	51719398	Elec.	10 mfd	16V
C128, C228	51715580	Elec.	0.47 mfd	50V
C129, C229	51711420	Polyst.	220 pfd	50V 20%
C130, C230	51718660	Mylar	0.027 mfd	50V 5%
C131, C231	51718620	Mylar	0.018 mfd	50V 5%
C132, C232	51718600	Mylar	0.015 mfd	50V 5%
C133, C233	51718620	Mylar	0.018 mfd	50V 5%
C134, C234	51718600	Mylar	0.015 mfd	50V 5%
C135, C235	51716450	Dip. Tant	0.47 mfd	35V

REF. NO.	PARTS NO.	DESCRIPTION
C136, C236	51719100	Elec. 0.1 mfd 50V (f-500, A-500)
C137, C237	51719778	Elec. 100 mfd 10V (f-500, A-500)
C138, C238	51719508	Elec. 22 mfd 35V (f-500, A-500)
C139, C239	51719698	Elec. 47 mfd 25V (f-500, A-500)
C140, C240	51719398	Elec. 10 mfd 16V
C141, C241	51719398	Elec. 10 mfd 16V
C144, C244	51719390	Elec. 10 mfd 16V
C145, C245	51723130	Ceramic 100 pfd
C146, C246	51723080	Ceramic 47 pfd
C147, C247	51719398	Elec. 10 mfd 16V
C148, C248	51715590	Elec. 1 mfd 50V (LR)
C149, C249	51719678	Elec. 47 mfd 10V
C150, C250	51719878	Elec. 220 mfd 16V
C151, C251	51719698	Elec. 47 mfd 25V (f-500, A-500)
C152, C252	50542300	Ceramic 0.047 mfd 50V
C501	51715630	Elec. 4.7 mfd 25V
C502	51719868	Elec. 220 mfd 10V
C503	51719678	Elec. 47 mfd 10V
C504	51719868	Elec. 220 mfd 10V
C505	51715630	Elec. 4.7 mfd 25V
C506, C507	51719188	Elec. 1 mfd 50V
C508	51719798	Elec. 100 mfd 25V
C509	51720088	Elec. 1000 mfd 10V

VARIABLE RESISTORS

R10, R20	51500960	Semi-fixed, 100 k ohm - B
R11, R21	51500920	Semi-fixed, 10 k ohm - B
R12, R22	51500940	Semi-fixed, 50 k ohm - B
R15, R25	51500940	Semi-fixed, 50 k ohm - B
R16, R26	51500970	Semi-fixed, 5 k ohm - B

TRIMMER CAPACITORS

C142, C242	51700170	150 pfd MAX.
C143, C243	51700170	150 pfd MAX.

COILS/TRANSFORMERS

L101, L201	50566370	Coil, Record EQ; 4.2 mH
L102, L202	50566350	Coil, Record EQ; 8 mH
L103, L203	50566550	Coil, Trap; 12 mH
T101, T201	51520740	Trans., Output; 3 k ohm:8 ohm

MISCELLANEOUS

U102, U202	51600400	MPX Filter Unit
U501	50400970	OSC Unit
K501	50611420	Relay, MHU2ZP
S101	51320390	Switch, lever; 4PDT
S102	51320370	Switch, lever; DPDT
S103, S104	51320380	Switch, lever; 6PDT
S105	51320370	Switch, lever; DPDT
P501	51221260	Connector, Plug; 2P
P502	51221300	Connector, Plug; 6P
	51470160	Socket, IC; 16P

2-2. CONTROL PCB ASSY

REF. NO.	PARTS NO.	DESCRIPTION
	51687972	PCB Assy, CONTROL
	51677971	PCB, CONTROL
	IC	
U601	51470470	Control, M-54410P
	TRANSISTORS	
Q601~Q603	51450920	2SC1740LN(S)
Q604	51451330	2SC1645(B)
Q605~Q607	51450920	2SC1740LN(S)
Q609	51450920	2SC1740LN(S)
Q610	51451310	2SA933LN(R)
Q611	51450920	2SC1740LN(S)
Q612, Q613	51450980	2SC1741Q
Q614	51451310	2SA933LN(R)
Q615, Q616	51450870	2SD313(E)
Q617, Q618	51451310	2SA933LN(R)
Q619	51450920	2SC1740LN(S)
Q620, Q621	51450870	2SD313(E)
Q622, Q623	51451310	2SA933LN(R)
Q624	51450870	2SD313(E)
Q625	51451310	2SA933LN(R)
Q626	51450870	2SD313(E)
Q627~Q630	51450920	2SC1740LN(S)
Q631	51451310	2SA933LN(R)
Q632~Q634	51450920	2SC1740LN(S)
Q635	51451310	2SA933LN(R)
Q636~Q640	51450920	2SC1740LN(S)
Q641	51451310	2SA933LN(R)
Q642	51450920	2SC1740LN(S)
	DIODES	
D601~D612	51431180	1S2473HJ
D614~D627	51431180	1S2473HJ
D629	51431180	1S2473HJ
D630, D631	51431130	1SR34-200HM
D632~D634	51431180	1S2473HJ
D635	51431130	1SR34-200HM
D636~D649	51431180	1S2473HJ
	CARBON RESISTORS	
All resistors are rated $\pm 5\%$ tolerance, $\frac{1}{4}W$.		
R601	51814880	1.8 k ohm
R602~R609	51814460	33 ohm
R610	51814980	4.7 k ohm
R611	51814880	1.8 k ohm
R612	51814760	560 ohm
R613	51815060	10 k ohm
R614	51814980	4.7 k ohm
R615	51814820	1 k ohm
R616	51815360	180 k ohm
R617	51814980	4.7 k ohm
R618	51814780	680 ohm
R619	51815060	10 k ohm
R620	51814980	4.7 k ohm
R621	51815080	12 k ohm
R622	51815060	10 k ohm
R623	51815080	12 k ohm

REF. NO.	PARTS NO.	DESCRIPTION
R624	51815060	10 k ohm
R625	51814920	2.7 k ohm
R626	51815020	6.8 k ohm
R627	51815060	10 k ohm
R628	51814920	2.7 k ohm
R629	51815020	6.8 k ohm
R630	51815060	10 k ohm
R631	51814980	4.7 k ohm
R632	51815020	6.8 k ohm
R633	51815080	12 k ohm
R634	51814660	220 ohm
R635	51815220	47 k ohm
R636	51815080	12 k ohm
R637, R638	51814820	1 k ohm
R639	51814860	1.5 k ohm
R640	51815020	6.8 k ohm
R641	51814860	1.5 k ohm
R642	51815080	12 k ohm
R643	51814860	1.5 k ohm
R644	51814900	2.2 k ohm
R645	51815100	15 k ohm
R646	51814820	1 k ohm
R647	51814860	1.5 k ohm
R648	51815080	12 k ohm
R649	51814620	150 ohm
R650	51814820	1 k ohm
R651	51814940	3.3 k ohm
R652	51815100	15 k ohm
R653	51815020	6.8 k ohm
R654	51814880	1.8 k ohm
R655	51814700	330 ohm
R656	51815200	39 k ohm
R657, R658	51814920	2.7 k ohm
R659	51814760	560 ohm
R660	51814920	2.7 k ohm
R661	51815020	6.8 k ohm
R662	51814700	330 ohm
R663, R664	51814920	2.7 k ohm
R665	51814760	560 ohm
R666, R667	51815020	6.8 k ohm
R668	51814880	1.8 k ohm
R669	51814700	330 ohm
R670, R671	51814920	2.7 k ohm
R672	51815180	33 k ohm
R673	51814860	1.5 k ohm
R674	51814760	560 ohm
R675	51814920	2.7 k ohm
R676	51815020	6.8 k ohm
R677	51814700	330 ohm
R678	51814920	2.7 k ohm
R679	51814760	560 ohm
R680	51814920	2.7 k ohm
R681	51814880	1.8 k ohm
R682	51814700	330 ohm
R683, R684	51814920	2.7 k ohm
R685	51814760	560 ohm
R686	51814920	2.7 k ohm
R687	51814880	1.8 k ohm
R688	51814700	330 ohm
R689, R690	51814920	2.7 k ohm
R691	51814760	560 ohm
R692	51814920	2.7 k ohm
R693	51815020	6.8 k ohm

2-3. POWER SUPPLY PCB ASSY

REF. NO.	PARTS NO.	DESCRIPTION
R694	51815180	33 k ohm
R695	51814620	150 ohm
R696	51815140	22 k ohm
R697	51814880	1.8 k ohm
R698	51815180	33 k ohm
R699	51815020	6.8 k ohm
R700	51814940	3.3 k ohm
R701	51814840	1.2 k ohm
R702	51815020	6.8 k ohm
R703	51814700	330 ohm
R704	51815020	6.8 k ohm
R705, R706	51814980	4.7 k ohm
R707, R708	51815200	39 k ohm
R709	51814860	1.5 k ohm
R710	51814760	560 ohm
R711	51814940	3.3 k ohm
R712	51814960	3.9 k ohm
R713	51814880	1.8 k ohm
R714	51815140	22 k ohm
R715	51814860	1.5 k ohm
R716	51814780	680 ohm
R717	51815100	15 k ohm
R718	51814940	3.3 k ohm
R719	51815120	18 k ohm
R720	51815100	15 k ohm
R721	51814620	150 ohm
R722	51814660	220 ohm
R723	51815080	12 k ohm
R724	51815300	100 k ohm
R725	51815220	47 k ohm
R726	51814980	4.7 k ohm
R727	51815140	22 k ohm
R728	51814980	4.7 k ohm
R729	51815140	22 k ohm
R730	51814980	4.7 k ohm
R731	51815140	22 k ohm
R732 ~ R734	51814620	150 ohm
R740	51814620	150 ohm

CAPACITORS

C601	51719398	Elec.	10 mfd	16V
C602 ~ C606	51719228	Elec.	2.2 mfd	50V
C607	51719398	Elec.	10 mfd	16V
C608, C609	51719228	Elec.	2.2 mfd	50V
C610	51715730	Elec.	47 mfd	10V (LR)
C611	51715680	Elec.	22 mfd	16V (LR)
C612	51715820	Elec.	0.33 mfd	50V (LR)
C613	51715600	Elec.	2.2 mfd	50V (LR)
C614	51715690	Elec.	22 mfd	25V (LR)
C615	51715580	Elec.	0.47 mfd	50V (LR)
C616	51715690	Elec.	22 mfd	25V (LR)
C617	51719338	Elec.	4.7 mfd	35V
C618	51719278	Elec.	3.3 mfd	50V
C619	51715670	Elec.	10 mfd	50V
C620	51715690	Elec.	22 mfd	25V
C621, C622	51719418	Elec.	10 mfd	35V
C623	51719168	Elec.	0.47 mfd	50V
C624	51719228	Elec.	2.2 mfd	50V
C626	51719188	Elec.	1 mfd	50V
C627	51719778	Elec.	100 mfd	10V
C628	51719588	Elec.	33 mfd	16V
C629	51719778	Elec.	100 mfd	10V
C630	51719508	Elec.	22 mfd	35V

REF. NO.	PARTS NO.	DESCRIPTION
	51687981	PCB Assy, POWER SUPPLY (f-510, A-510)
	51688340	PCB Assy, POWER SUPPLY (f-500, A-500)
	51677980	PCB, POWER SUPPLY

TRANSISTORS

Q801	51450870	2SD313(E)
Q802, Q803	51450920	2SC1740LN(S)
Q804	51450870	2SD313(E) (f-510, A-510)
Q805	51450870	2SD313(E)
Q806	51450920	2SC1740LN(S)
Q807	51451350	2SD400MP(E)
Q808	51450920	2SC1740LN(S)

DIODES

D801 ~ D808	51431130	1SR34-200HM
D809	51431080	Zener, RD-13EB
D810	51431130	1SR34-200HM
D811	51431290	Zener, RD-5.6EB
D812	50425540	Zener, RD-6.2EB
D813	51431130	1SR34-200HM
D814	50425540	Zener, RD-6.2EB
D815		(Not used)

RESISTORS

All resistors are rated $\pm 5\%$ tolerance, $\frac{1}{4}W$ and of carbon type.

R801 ~ R803	51815060	10 k ohm
R805	51814760	560 ohm (f-510, A-510)
R806	51814900	2.2 k ohm (f-510, A-510)
R807	51814900	2.2 k ohm
R808	51814980	4.7 k ohm
R809	51815020	6.8 k ohm
R810	51814900	2.2 k ohm
R811	51814980	4.7 k ohm
R812	51814900	2.2 k ohm
R813	51815100	15 k ohm (f-510, A-510)
R816	51814820	1 k ohm
R817, R818	51815020	6.8 k ohm
R819	51814840	1.2 k ohm
R820	51814640	180 ohm
R821	51815100	15 k ohm
R822	51815120	18 k ohm
R823	51815060	10 k ohm
R824	51814660	220 ohm
R826	51815100	15 k ohm
R827	51815100	15 k ohm
R828	51814620	150 ohm
R829	51814840	1.2 k ohm

CAPACITORS

C801	51720128	Elec.	1 000 mfd	50V
C802	51720168	Elec.	2 200 mfd	25V
C803	51720128	Elec.	1 000 mfd	50V
C804	51720118	Elec.	1 000 mfd	35V
C805	51719188	Elec.	1 mfd	50V
C806	51719818	Elec.	100 mfd	50V

2-6. METER AMPL. PCB ASSY f-510, A-510

REF. NO.	PARTS NO.	DESCRIPTION
C807	51720128	Elec. 1000 mfd 50V
C808	51719888	Elec. 220 mfd 25V (f-510, A-510)
C809	51720018	Elec. 470 mfd 10V
C810	51720108	Elec. 1000 mfd 25V
C811	51720008	Elec. 470 mfd 6.3V
C812	51719778	Elec. 100 mfd 10V
C813	51720088	Elec. 1000 mfd 10V
C814	51722440	Ceramic 0.047 mfd 25V 10%
C815, C816	51719778	Elec. 100 mfd 10V
C817	51719338	Elec. 4.7 mfd 35V
C818	51719188	Elec. 1 mfd 50V

MISCELLANEOUS

R815	50534460 50332950 50332910	Var. Res., Semi-fixed; 1 k ohm - B Tube, Insulating Plate, Insulating
------	----------------------------------	---

2-4. IN/OUTPUT PCB ASSY

REF. NO.	PARTS NO.	DESCRIPTION
	51687950	PCB Assy, IN/OUTPUT
	51677950	PCB, IN/OUTPUT
R301, R401	51815260	Resistor, Carbon; 68 k ohm ¼W 5%
R303, R403	51815340	Resistor, Carbon; 150 k ohm ¼W 5%
	51260301	Terminal Assy

2-5. JOINT PCB ASSY

REF. NO.	PARTS NO.	DESCRIPTION
	51688021	PCB Assy, JOINT
	51678021	PCB, JOINT
D817~D820	51431140	Diode 1SR34-400HM
R954	51811820	Resistor; 15 ohm ¼W; Non-flammable
R955	51800660	Resistor, Carbon; 220 ohm ¼W
C951	50559460	Capacitor; 10 mfd 50V (B.P.)
	51221360	Connector, Plug; 12P
	51221290	Connector, Plug; 2P

REF. NO. PARTS NO. DESCRIPTION

51688032 PCB Assy, METER AMPL.

51678031 PCB, METER AMPL.

TRANSISTORS

Q901~Q904 51450920 2SC1740LNS

DIODES

D901, D902 50425170 1S2473VE
D903 51431430 Zener, RD-4, 3 EB

RESISTORS

All resistors are rated ±5% tolerance, ¼W and of carbon type.

R901 50570580 100 ohm
R902 50570800 820 ohm
R903 50571080 12 k ohm
R904 50571220 47 k ohm
R905 50571080 12 k ohm
R906 50571300 100 k ohm
R907 50571420 330 k ohm
R908 50571080 12 k ohm
R909 50570900 2.2 k ohm
R910 50570740 470 ohm
R913 50570500 47 ohm
R914 (Not used)
R915 50570620 150 ohm

CAPACITORS

C901 50554050 Elec. 10 mfd 16V
C902 50554970 Elec. 0.47 mfd 50V
C903 50554540 Elec. 1 mfd 50V
C904 50554050 Elec. 10 mfd 16V
C905 50554910 Elec. 220 mfd 10V
C906 50554490 Elec. 47 mfd 25V
C907 50554050 Elec. 10 mfd 16V

MISCELLANEOUS

S901~S903 51340490 Switch, Push; DPDT

(Continued from page 9)

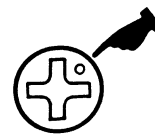
REF. NO.	PARTS NO.	DESCRIPTION	REMARKS
4 - 41	*51687930	PCB Assy, MIC JACK	Part of 4 - 41
	*51677930	PCB, MIC JACK	
	*51240281	Jack, MIC; w/Switch (J301)	
	*51240230	Jack, MIC (J302)	
	*51814900	Carbon Res., 2.2 k ohm ¼W 5% (R302, R402)	
	*51817630	Jumper	Part of 4 - 41
4 - 42	*51687950	PCB Assy, OUTPUT VAR. RES.	Part of 4 - 42
	*51677950	PCB, OUTPUT VAR. RES.	Part of 4 - 42
	51502290	Var. Res., 20 k ohm - A x 2 (R14)	
	51501540	Var. Res., Semi-fixed 10 k ohm - B (R13, R23)	
4 - 43	*55555681	Bracket, Switch	
4 - 44	*51688032	PCB Assy, METER AMPL.	
4 - 45	55046810	Knob Assy, Push Switch	
4 - 46	*51687900	PCB Assy, INPUT VAR. RES.; (2)	Part of 4 - 46
	*51677900	PCB, INPUT VAR. RES.; (2)	
	51502280	Var. Res., 100 k ohm - A	
4 - 47	*51687890	PCB Assy, INPUT VAR. RES.; (1)	Part of 4 - 47
	*51677890	PCB, Input VAR. RES.; (1)	
	51502280	Var. Res., 100 k ohm - A	
4 - 48	*55346200	Collar, Var. Res.	
4 - 49	*55046770	Gear Assy, A	
4 - 50	*55046780	Gear Assy, Friction	
4 - 51	*55545040	Mask, Lever Switch	
4 - 52	*51240220	Jack, PHONES	
4 - 53	*51687990	PCB Assy, TIMER	Part of 4 - 53
	*51677990	PCB, TIMER	
	51330120	Switch, Rotary; 4P3T	
4 - 54	*55031811	Chassis, Front	
4 - 55	*51688040	PCB Assy, FUSE; A	EUROPE, U.K., AUSTRALIA
	*51678040	PCB, FUSE (Part of 4 - 55)	
4 - 56	*51675480	PCB, Voltage Selector	
4 - 57	*55550600	Bracket, B	

(Continued from page 11)

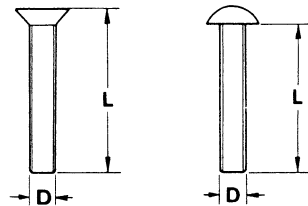
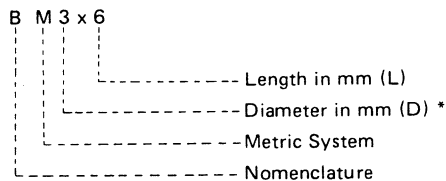
REF. NO.	PARTS NO.	DESCRIPTION	REMARKS
	*51240230	Jack, MIC (J302)	Part of 5 - 40
	*51814900	Carbon Res., 2.2 k ohm ¼W 5% (R302, R402)	Part of 5 - 40
5 - 41	*51687950	PCB Assy, OUTPUT VAR. RES.	Part of 5 - 41
	*51677950	PCB, OUTPUT VAR. RES.	
	51502290	Var. Res., 20 k ohm - A x 2 (R14)	
	51501540	Var. Res., Semi-fixed 10 k ohm - B (R13, R23)	Part of 5 - 41
5 - 42	*51687900	PCB Assy, INPUT VAR. RES. (2)	Part of 5 - 42
	*51677900	PCB, INPUT VAR. RES. (2)	
	51502280	Var. Res., 100 k ohm - A	
5 - 43	*51687890	PCB Assy, INPUT VAR. RES. (1)	Part of 5 - 43
	*51677890	PCB, INPUT VAR. RES. (1)	
	51502280	Var. Res., 100 k ohm - A	
5 - 44	*55346200	Collar, Var. Res.	
5 - 45	*55046770	Gear Assy, A	
5 - 46	*55046780	Gear Assy, Friction	
5 - 47	*55545040	Mask, Lever Switch	
5 - 48	*51240220	Jack, PHONES	
5 - 49	*51687990	PCB Assy, TIMER	Part of 5 - 49
	*51677990	PCB, TIMER	
	51330120	Switch, Rotary; 4P3T	
5 - 50	*55031811	Chassis, Front	
5 - 51	*51688490	PCB Assy, FUSE	EUROPE, U.K., AUSTRALIA
	*51678040	PCB, FUSE (Part of 5 - 51)	
5 - 52	*51675480	PCB, Voltage Selector	
5 - 53	*55550600	Bracket, B	

ASSEMBLING HARDWARE CODING LIST

All screws conform to ISO standards, and have crossrecessed heads, unless otherwise noted. ISO screws have the head inscribed with a point as in the figure to the right.



FOR EXAMPLE:



* Inner dia. for washers and nuts

	Code	Name	Type		Code	Name	Type
MACHINE SCREW	R	Round Head Screw		TAPPING SCREW	BTA	Binding Head Tapping Screw(A Type)	
	P	Pan Head Screw			BTB	Binding Head Tapping Screw(B Type)	
	T	Stove Head Screw (Truss)			RTA	Round Head Tapping Screw(A Type)	
	B	Binding Head Screw			RTB	Round Head Tapping Screw(B Type)	
	F	Flat Countersunk Head Screw		SETSCREW	SF	Hex Socket Setscrew(Flat Point)	
	O	Oval Countersunk Head Screw			SC	Hex Socket Setscrew(Cup Point)	
WOOD SCREW	RW	Round Head Wood Screw		SS	Slotted Socket Setscrew(Flat Point)		
	FW	Flat Countersunk Wood Screw		WASHER	E	E-Ring (Retaining Washer)	
	OW	Oval Countersunk Wood Screw			W	Flat Washer (Plain)	
SEMS SCREW	BSA	Binding Head SEMS Screw(A Type)			SW	Lock Washer (Spring)	
	BSB	Binding Head SEMS Screw(B Type)			LWI	Lock Washer (Internal Teeth)	
	BSF	Binding Head SEMS Screw(F Type)			LWE	Lock Washer (External Teeth)	
	PSA	Pan Head SEMS Screw(A Type)		TW	Trim Washer (Countersunk)		
	PSB	Pan Head SEMS Screw(B Type)		NUT	N	Hex Nut	