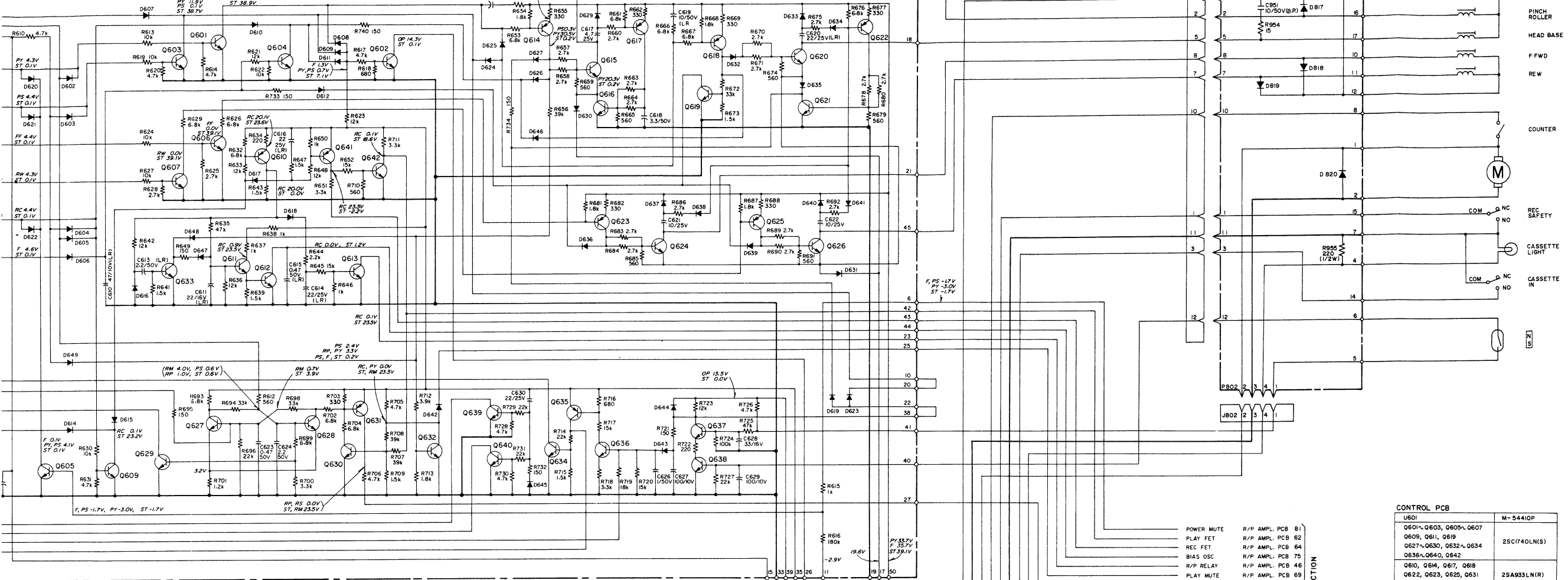


NOTE
 1. ALL RESISTORS ARE 1/4 WATT. 5% UNLESS MARKED OTHERWISE.
 RESISTOR VALUES ARE IN OHMS (K=1,000, M=1,000,000).
 2. ALL CAPACITOR VALUES ARE IN MICROFARADS (P=PICOFARADS).

CONTROL PCB

JOINT PCB



- PINCH ROLLER
- HEAD BASE
- F.FWD
- REW
- COUNTER
- REC SAFETY
- CASSETTE LIGHT
- CASSETTE

CONTROL PCB

Q601-Q603, Q605-Q607	M-54410P
Q609, Q611, Q619	2SC1740L(N/S)
Q627-Q630, Q632-Q634	
Q636-Q640, Q642	
Q610, Q614, Q617, Q618	2SA933L(N/R)
Q622, Q623, Q625, Q631	
Q635, Q641	2SD33E
Q65, Q616, Q620, Q621	2SD33E
Q624, Q626	
Q604	DARLINGTON PAIR 2SC1645(B)
Q612, Q613	2SC1741 Q
D601-Q629, Q632-Q634	IS2473HJ
D636-Q649	
D630, D631, D635	ISR34-200HM

POWER PCB

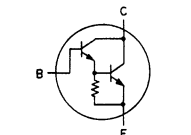
Q802, Q803, Q806, Q808	2SC1740L(N/S)
Q801, Q809	2SD33(E)
Q807	2SD400(MPE)
D801-Q808, D810, D813	ISR34-200HM
D809	RD-13ER
D812, D814	RD-6.2ER
D811	RD-5.6ER
D815	IS2473HJ

JOINT PCB

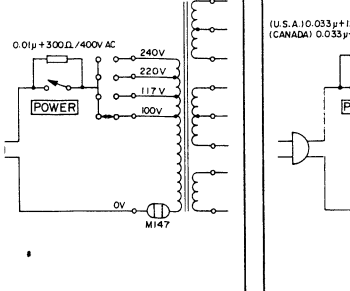
D817-Q820	ISR34-400HM
-----------	-------------

- TO AMPLIFIER SECTION
- POWER MUTE R/P AMPL. PCB 61
 - PLAY FET R/P AMPL. PCB 62
 - REC FET R/P AMPL. PCB 64
 - BIAS OSC R/P AMPL. PCB 75
 - R/P RELAY R/P AMPL. PCB 46
 - PLAY MUTE R/P AMPL. PCB 69
 - REC MUTE R/P AMPL. PCB 65
 - CASSETTE LAMP R/P AMPL. PCB 72
 - CASSETTE SW R/P AMPL. PCB 78
 - +23V R/P AMPL. PCB 61
 - 0V R/P AMPL. PCB 59
 - 0V (AC) R/P AMPL. PCB 73
 - 6V R/P AMPL. PCB 63
 - 3V R/P AMPL. PCB 67
 - MEMORY SW R/P AMPL. PCB 77
 - AC 6V R/P AMPL. PCB 70

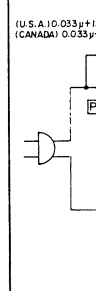
- ABBREVIATIONS
- PY PLAY
 - PS PAUSE
 - ST STOP
 - RC RECORD
 - RP RECORD PLAY
 - RS RECORD PAUSE
 - FF FAST FORWARD
 - FF or REW FF or REW
 - OP OPERATION (PY or PS or FF or RW)
 - RM REC MUTE



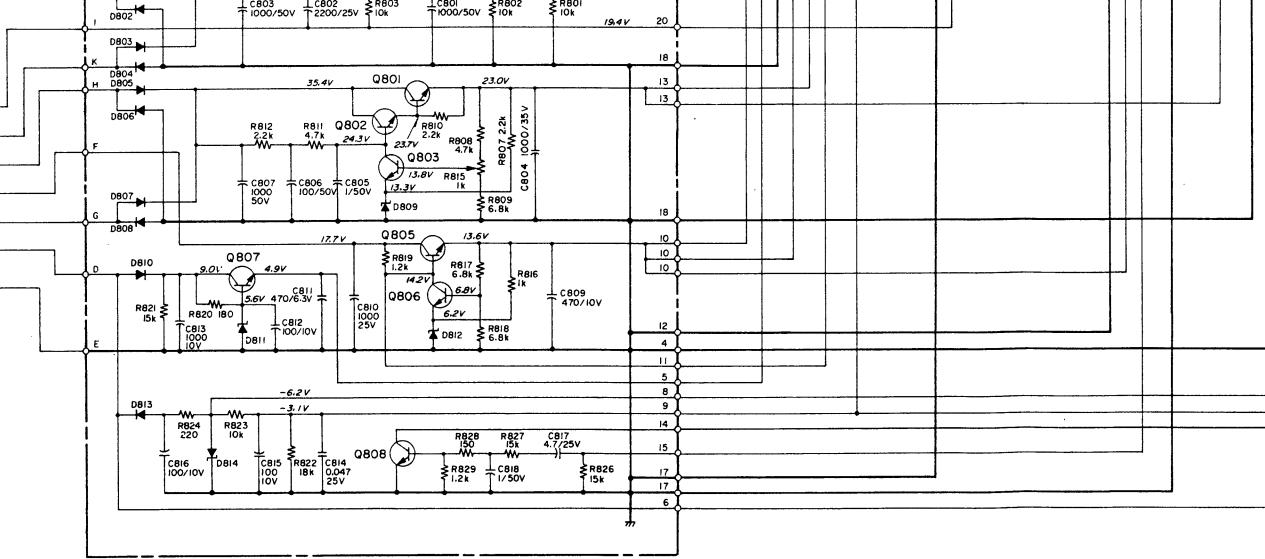
RAL EXPORT



U.S.A. CANADA

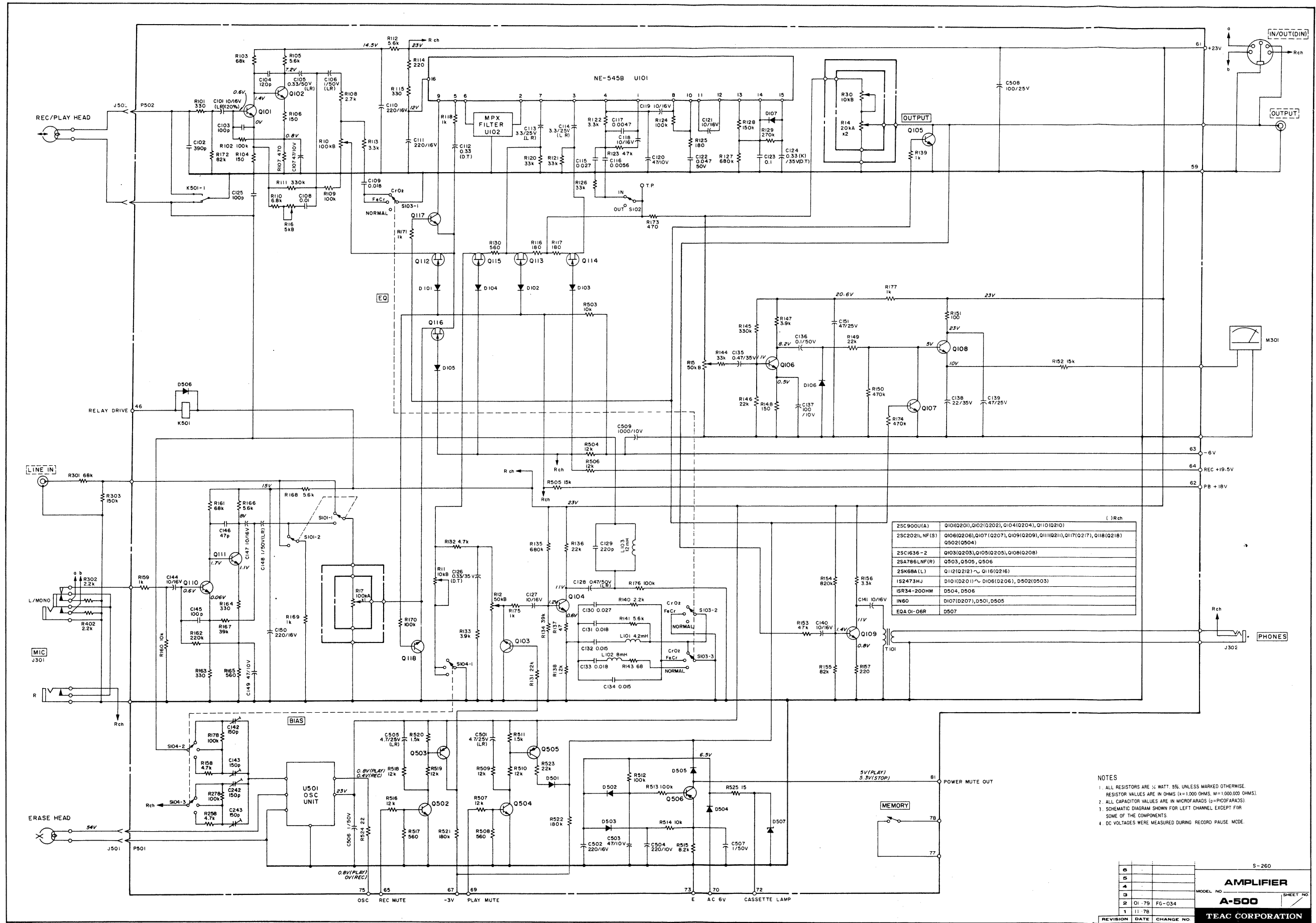


POWER SUPPLY PCB



6			
5			
4			
3			
2	01-79	FG-034	
1	11-78		
REVISION	DATE	CHANGE NO.	

CONTROL
MODEL NO. **A-500** SHEET NO.
TEAC CORPORATION



Component List	
25C900(A)	Q10(Q201), Q102(Q202), Q104(Q204), Q101(Q210)
25C202(LNF(S))	Q106(Q206), Q107(Q207), Q109(Q209), Q111(Q211), Q117(Q217), Q118(Q218), Q502(Q504)
25C1636-2	Q103(Q203), Q105(Q205), Q108(Q208)
25A786(LNF(R))	Q503, Q505, Q506
25K68A(L)	Q112(Q212) ~ Q116(Q216)
1S2473(HJ)	D101(D201) ~ D106(D206), D502(D503)
1SR34-200(M)	D504, D506
1N60	D107(D207), D501, D505
EGA 01-06R	D507

NOTES
 1. ALL RESISTORS ARE 1/4 WATT, 5% UNLESS MARKED OTHERWISE.
 RESISTOR VALUES ARE IN OHMS (K=1,000 OHMS, M=1,000,000 OHMS).
 2. ALL CAPACITOR VALUES ARE IN MICROFARADS (μ=100P/100NS).
 3. SCHEMATIC DIAGRAM SHOWN FOR LEFT CHANNEL EXCEPT FOR SOME OF THE COMPONENTS.
 4. DC VOLTAGES WERE MEASURED DURING RECORD PAUSE MODE.

S-260

AMPLIFIER

MODEL NO. **A-500** SHEET NO.

TEAC CORPORATION

REVISION	DATE	CHANGE NO.