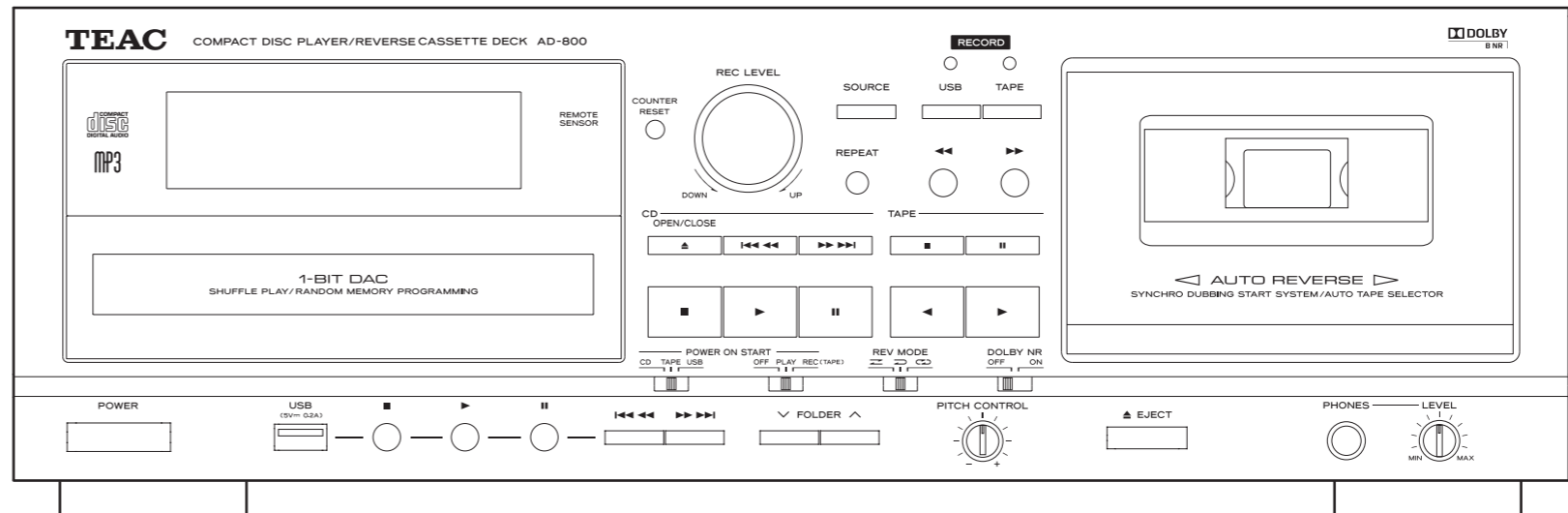
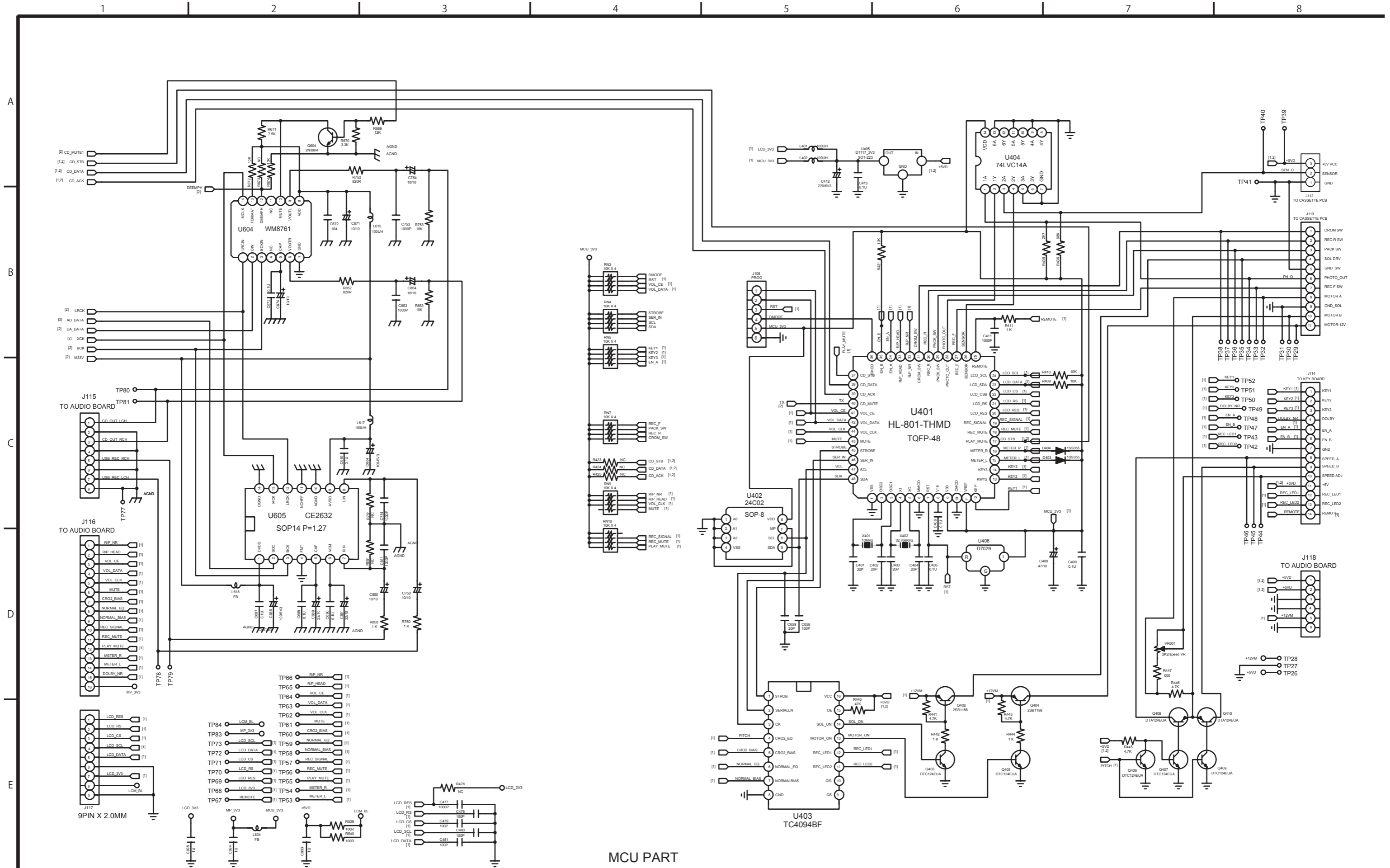


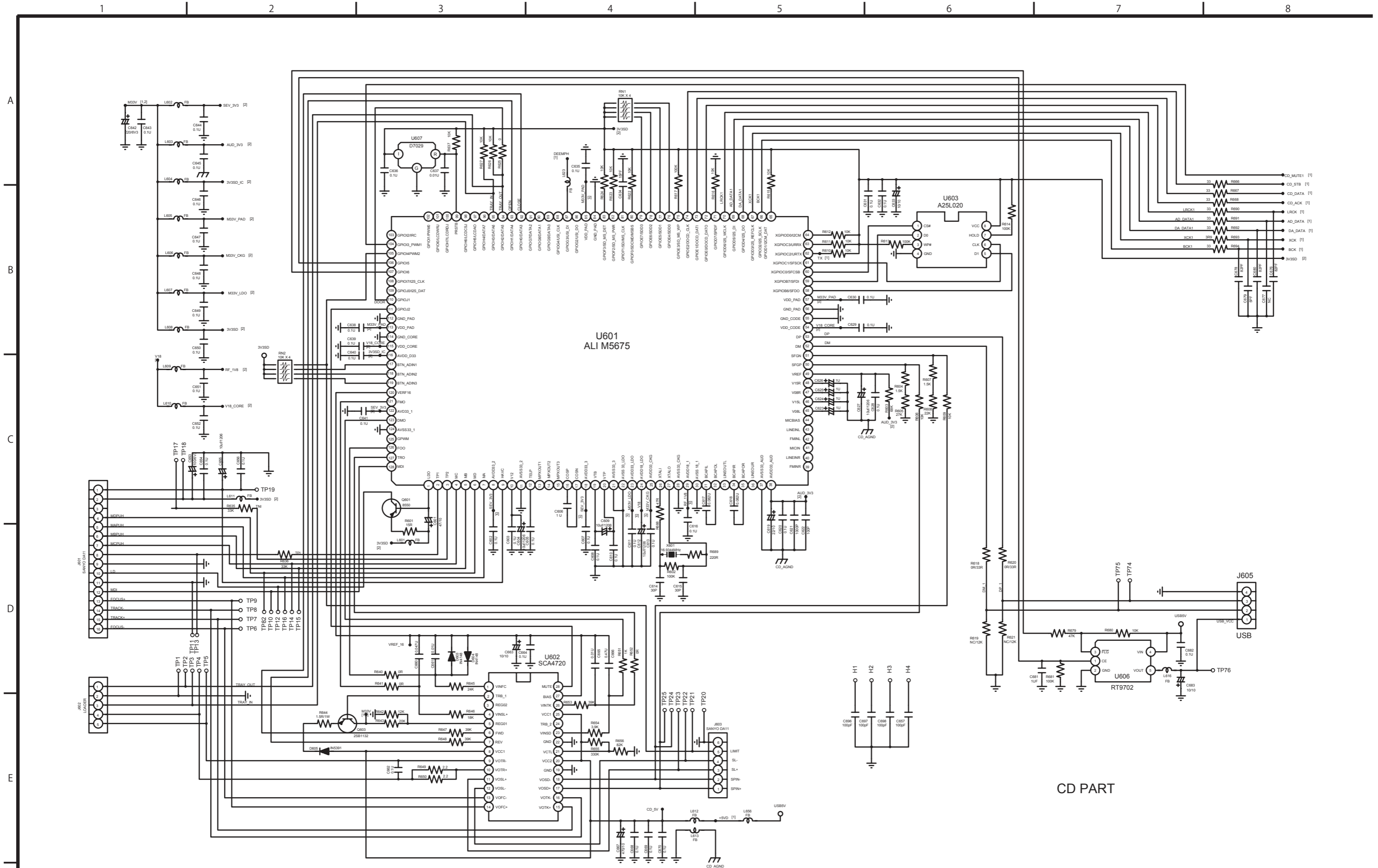
CONTENTS 目次

CD/MCU PCB 1/2 (MCU PART)	2
CD/MCU PCB 2/2 (CD PART)	3
TAPE PCB 1/3	4
TAPE PCB 2/3 (AUDIO PART).....	5
TAPE PCB 3/3 (POWER SUPPLY PART), TRANS PCB & POWER SW PCB	6
KEY PCB, PHONE PCB	7
CD/MCU PCB 1/2 (MCU PART)	8
CD/MCU PCB 2/2 (CD PART)	9
TAPE PCB 1/3	10
TAPE PCB 2/3 (AUDIO PART).....	11
TAPE PCB 3/3 (POWER SUPPLY PART), TRANS PCB & POWER SW PCB	12
KEY PCB, PHONE PCB	13
STANDBY PCB.....	14

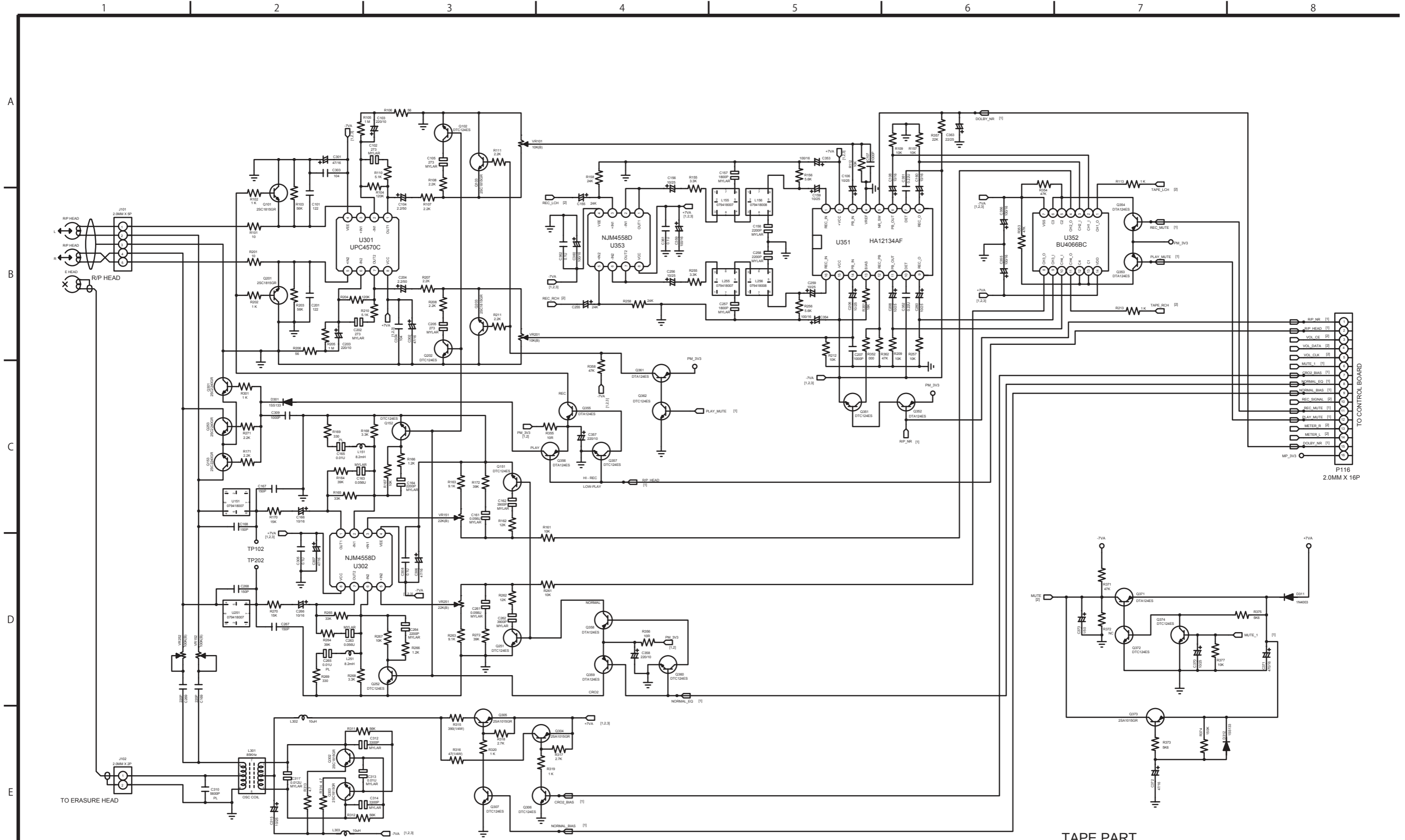




MCU PART



CD PART



TAPE PART

1 2 3 4 5 6 7 8

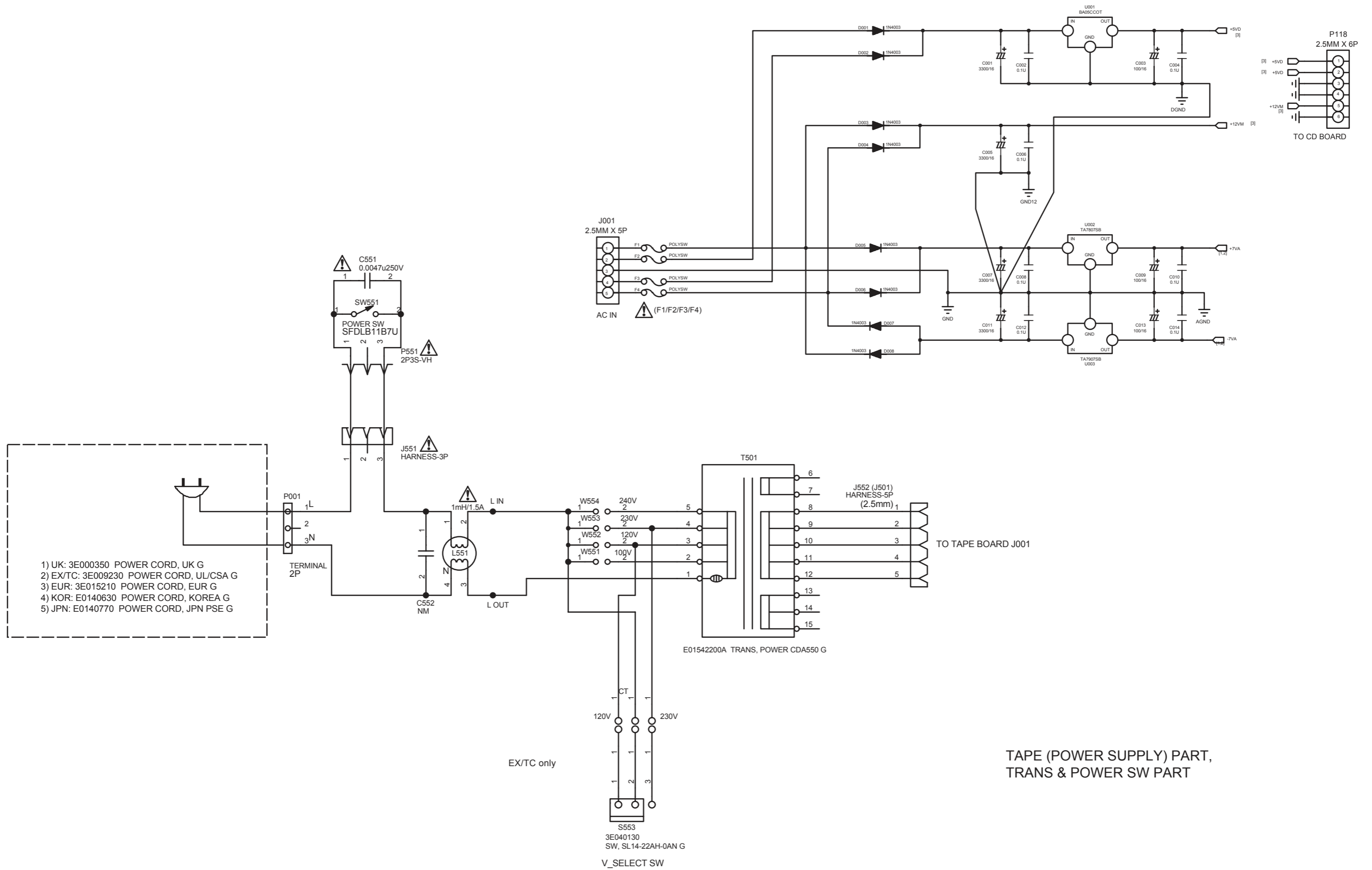
A

B

C

D

E



- 1) UK: 3E000350 POWER CORD, UK G
- 2) EX/TC: 3E009230 POWER CORD, UL/CSA G
- 3) EUR: 3E015210 POWER CORD, EUR G
- 4) KOR: E0140630 POWER CORD, KOREA G
- 5) JPN: E0140770 POWER CORD, JPN PSE G

EX/TC only

TAPE (POWER SUPPLY) PART,
TRANS & POWER SW PART

S553
3E040130
SW, SL14-22AH-0AN G
V_SELECT SW

1 2 3 4 5 6 7 8

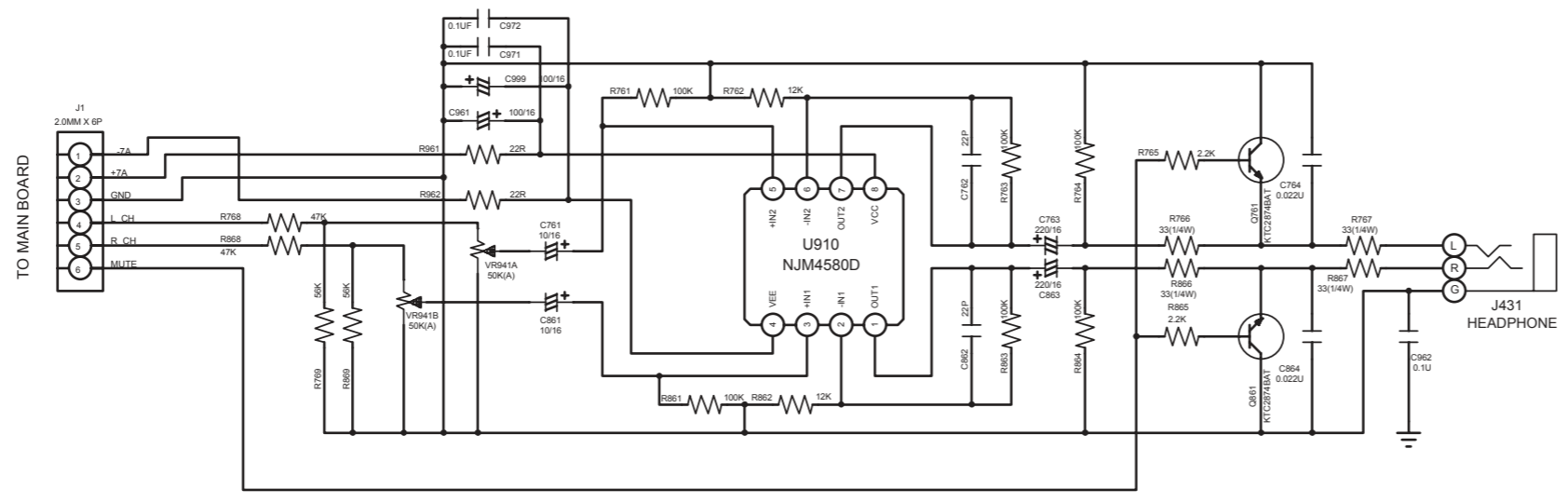
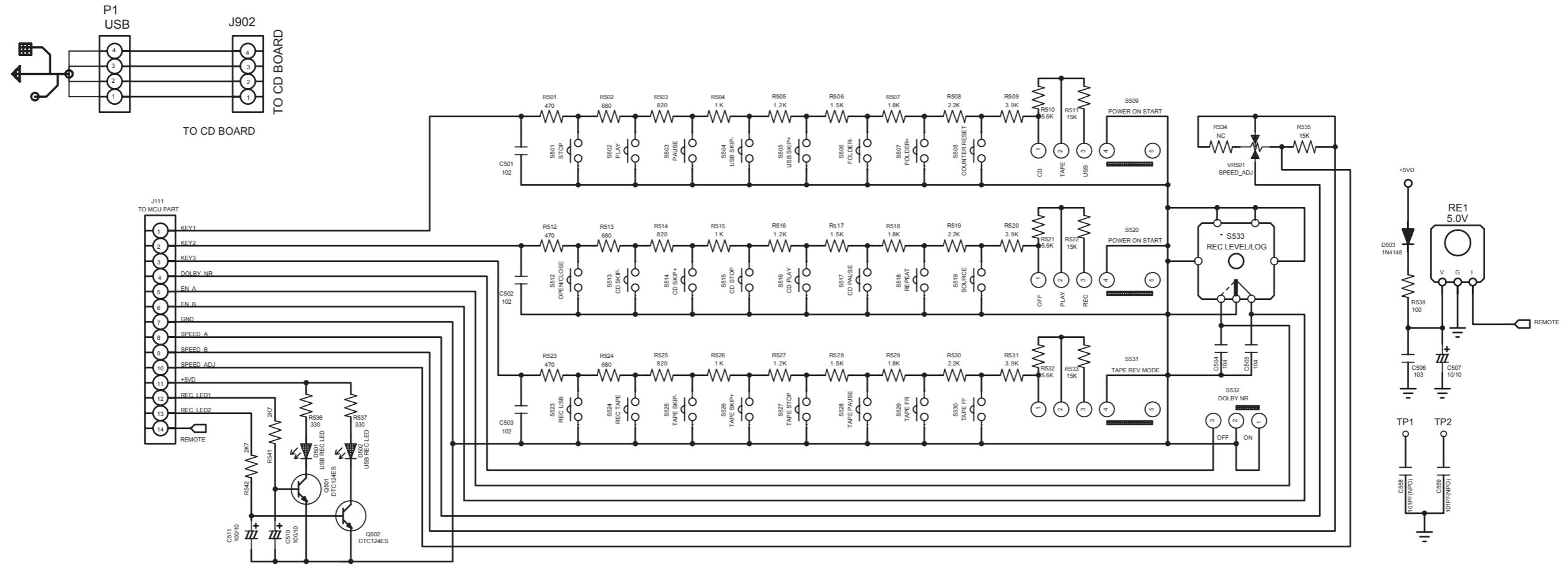
A

B

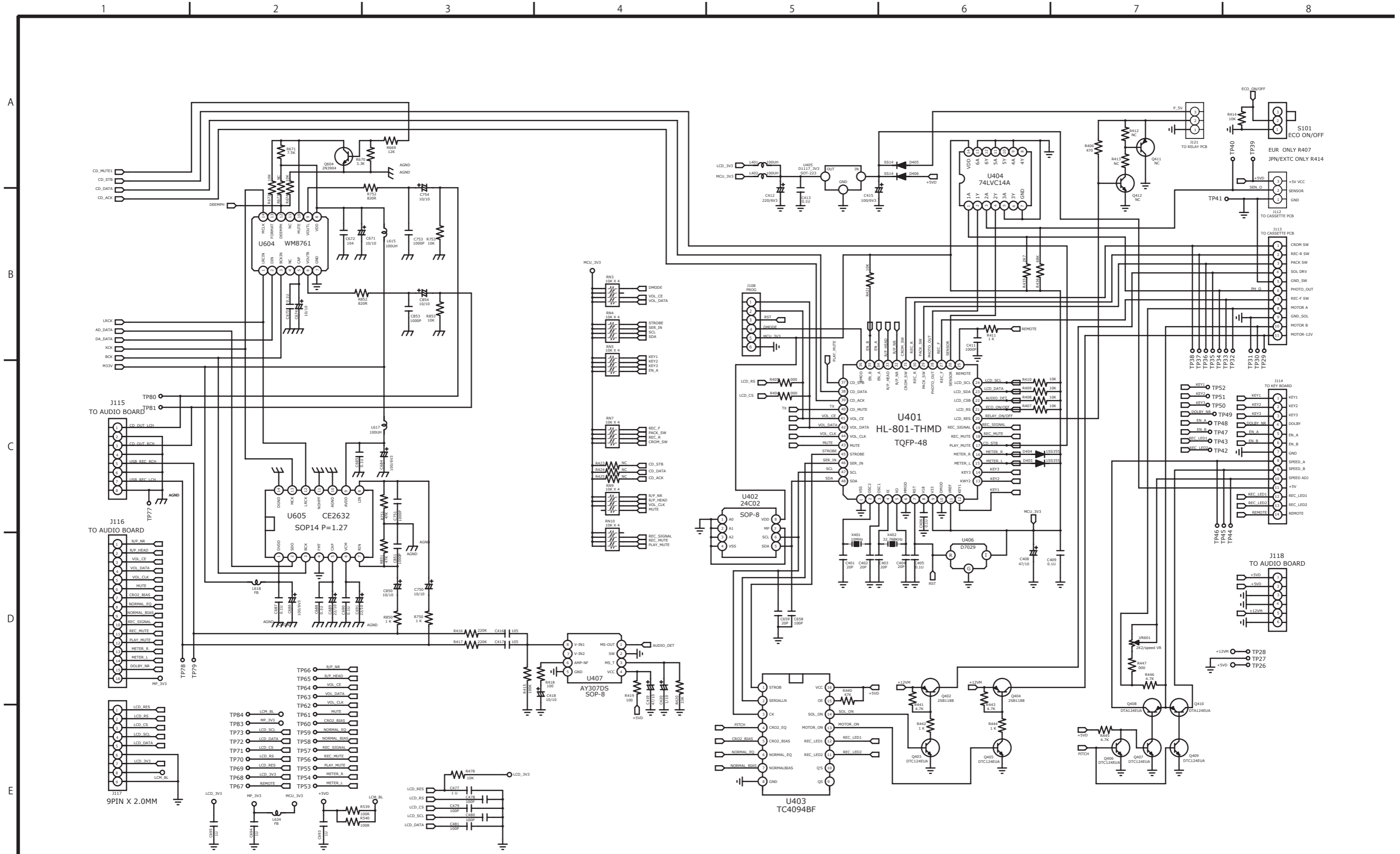
C

D

E



KEY PART, PHONE PART



MCU PART

1 2 3 4 5 6 7 8

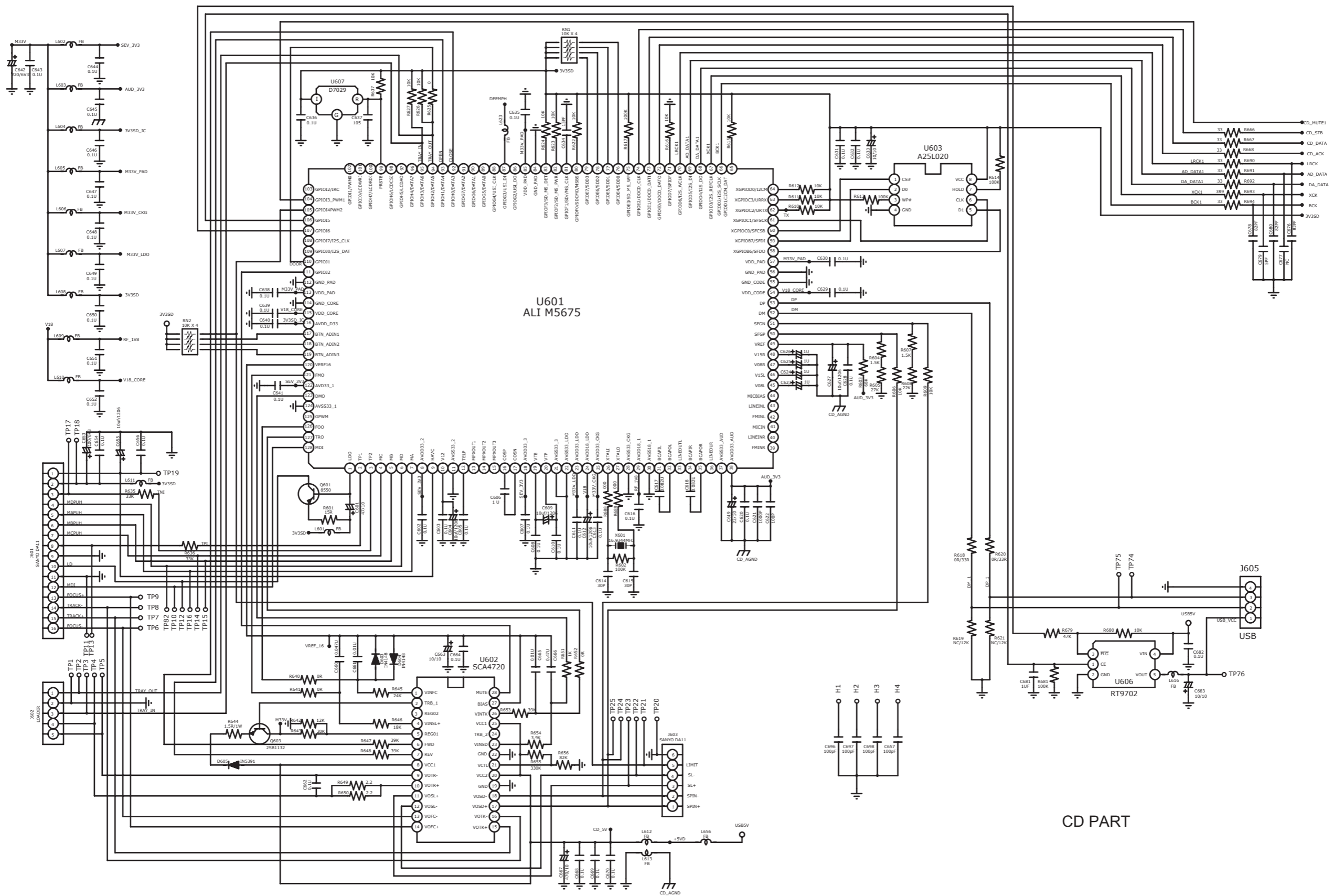
A

B

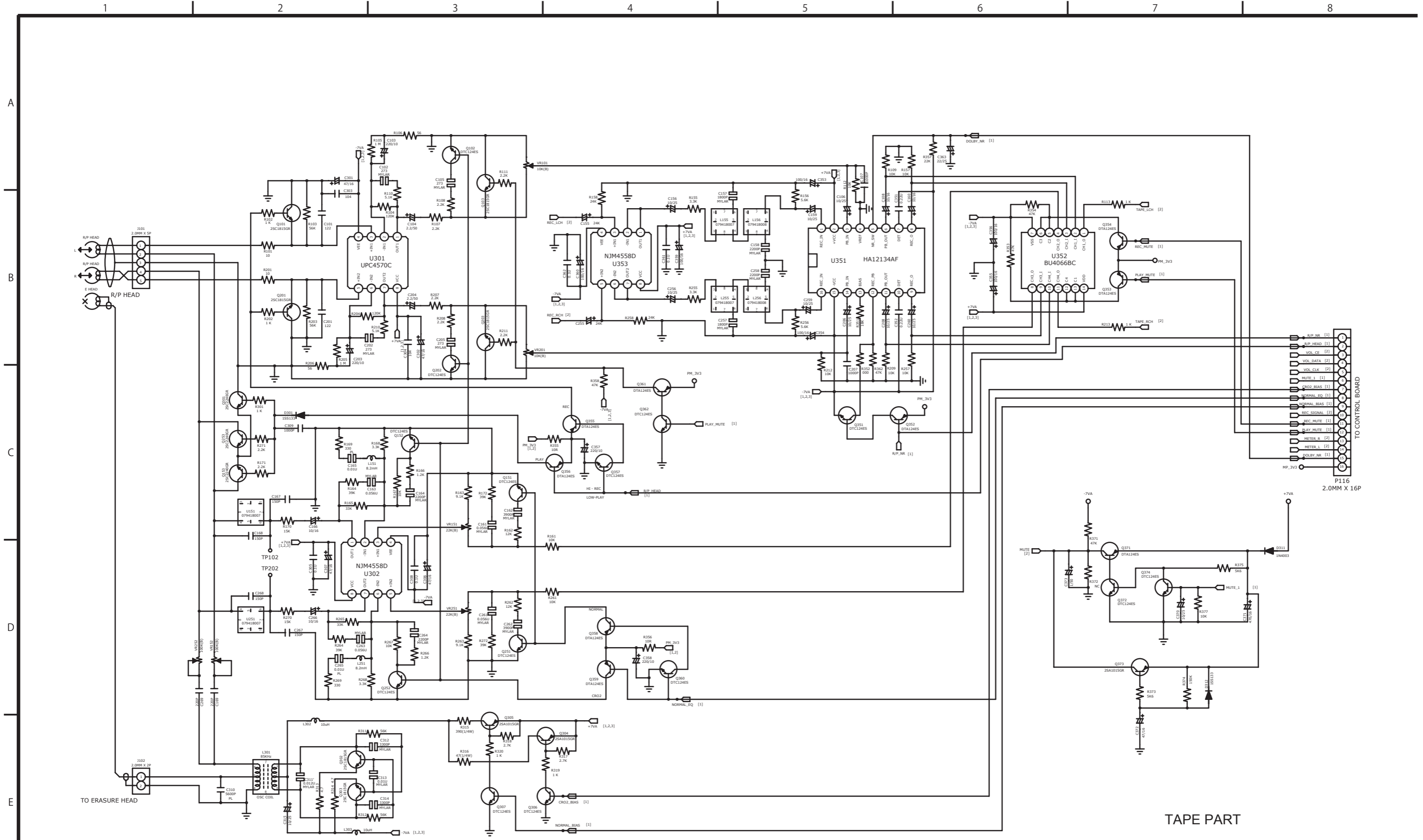
C

D

E



CD PART



1 2 3 4 5 6 7 8

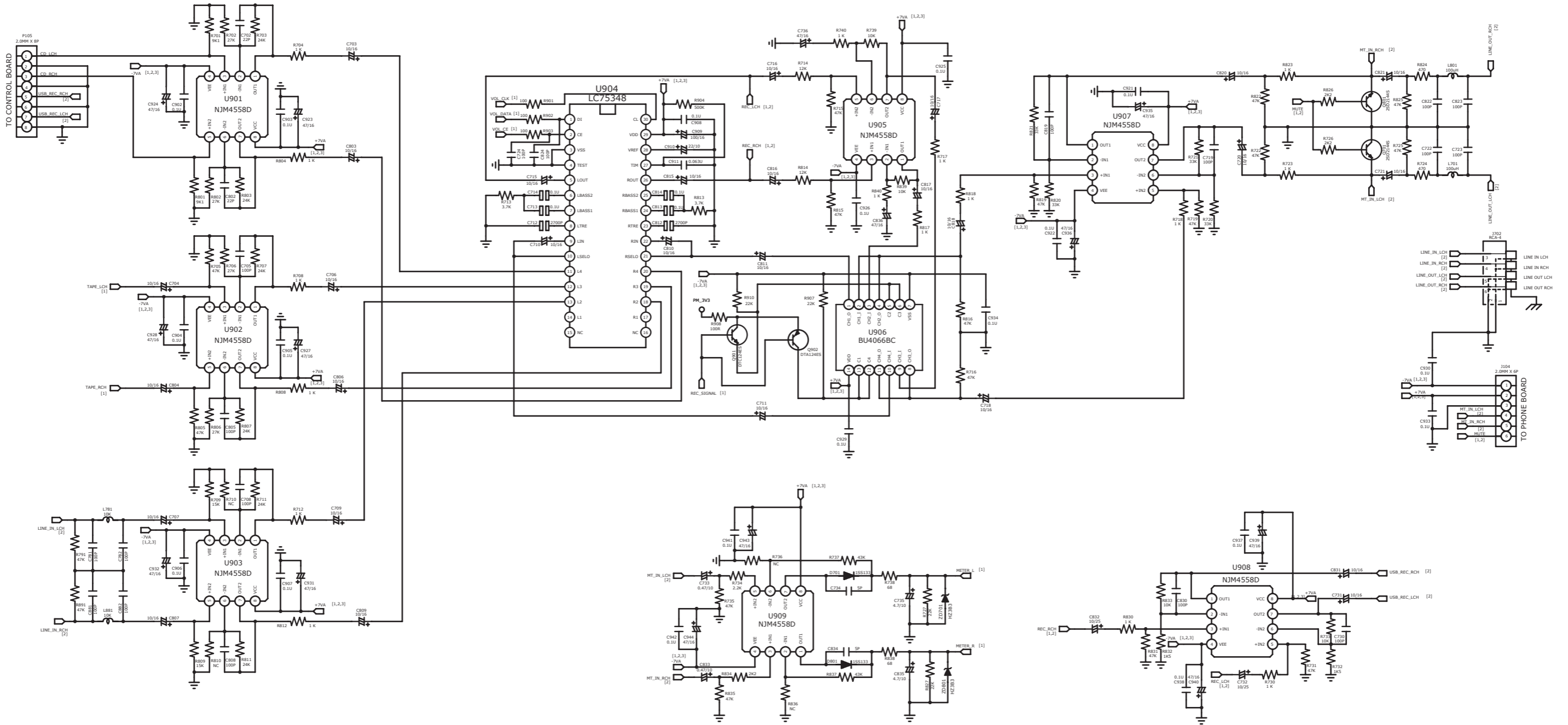
A

B

C

D

E



TAPE (AUDIO) PART

1 2 3 4 5 6 7 8

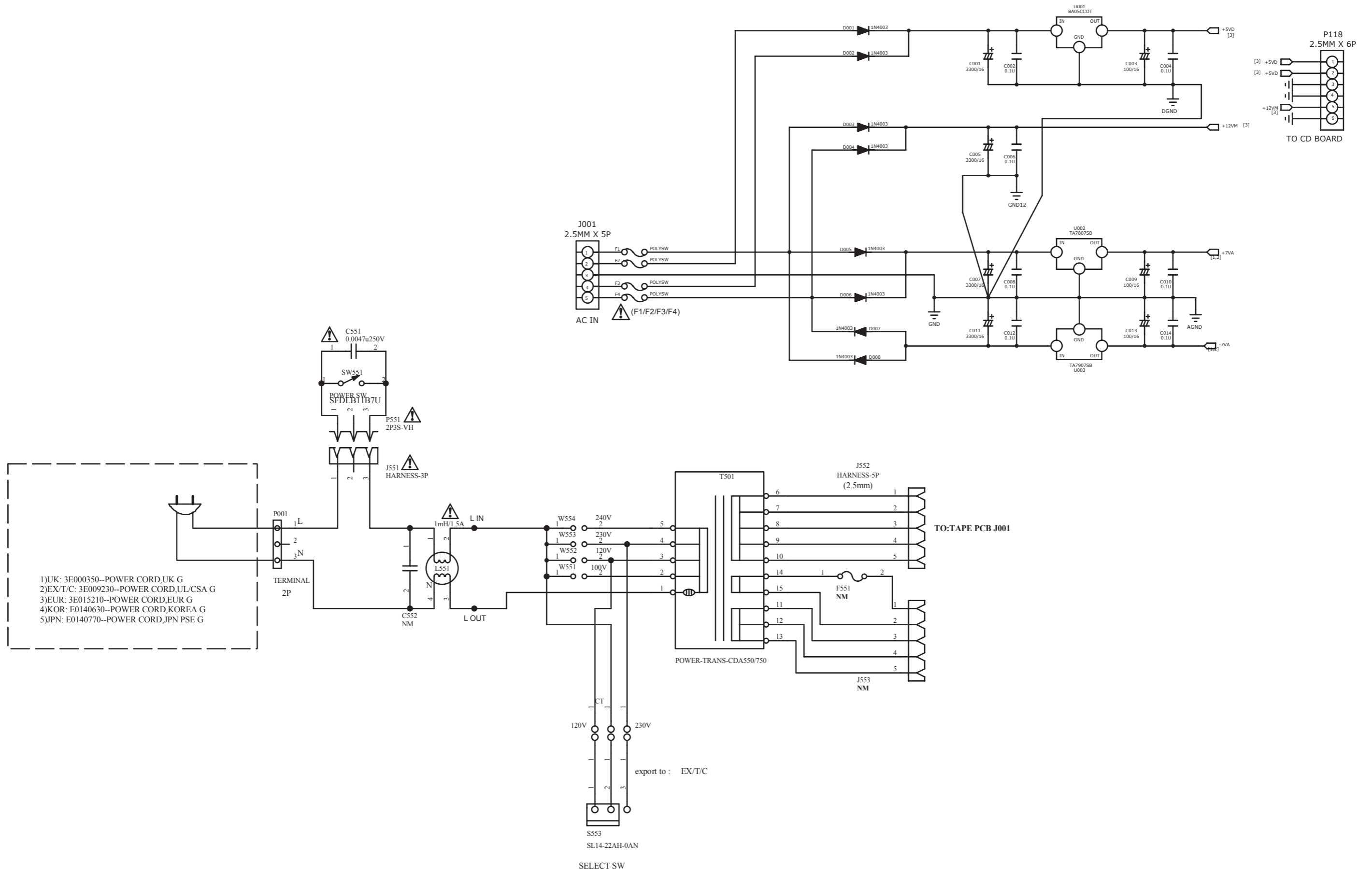
A

B

C

D

E



1 2 3 4 5 6 7 8

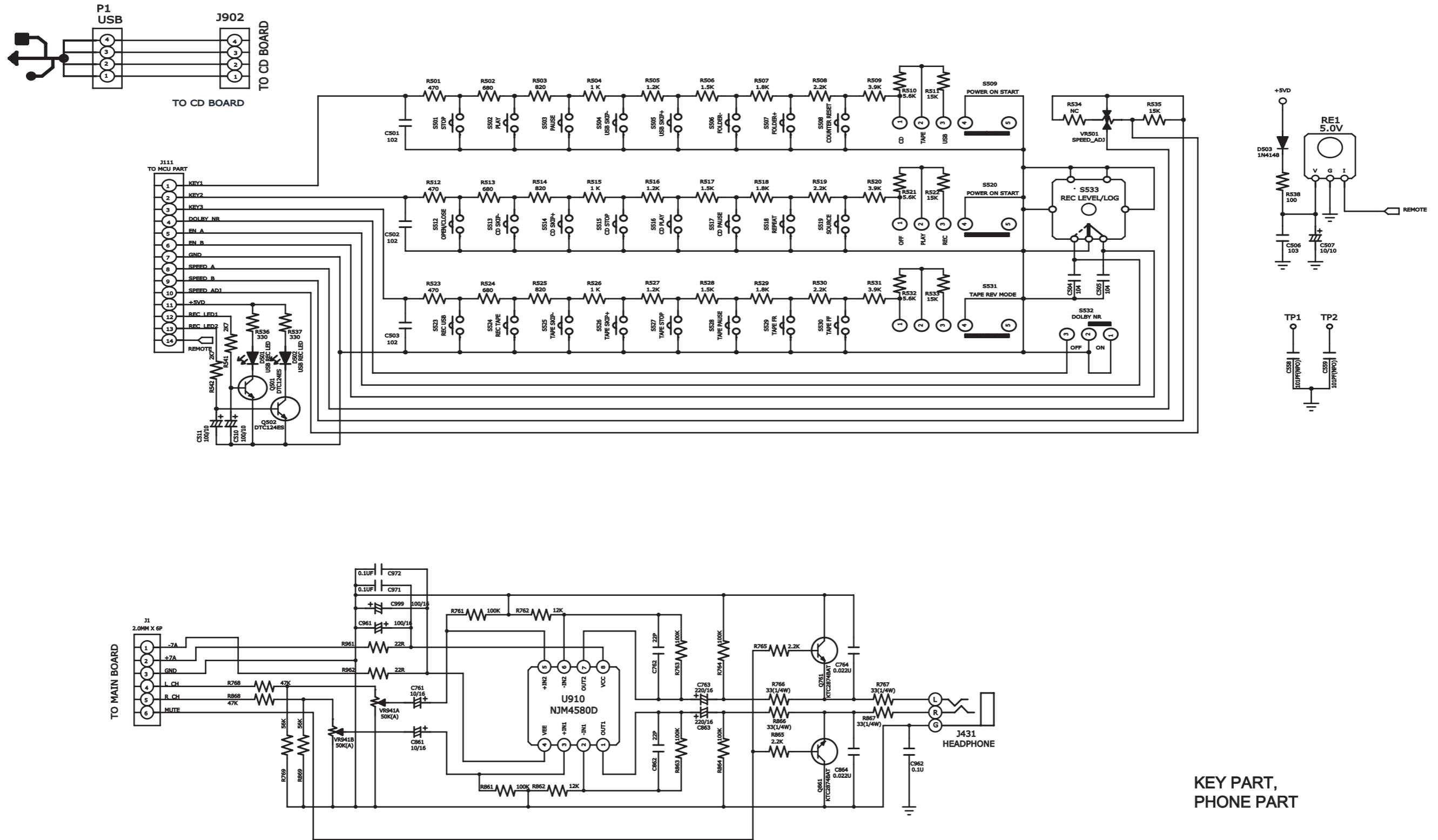
A

B

C

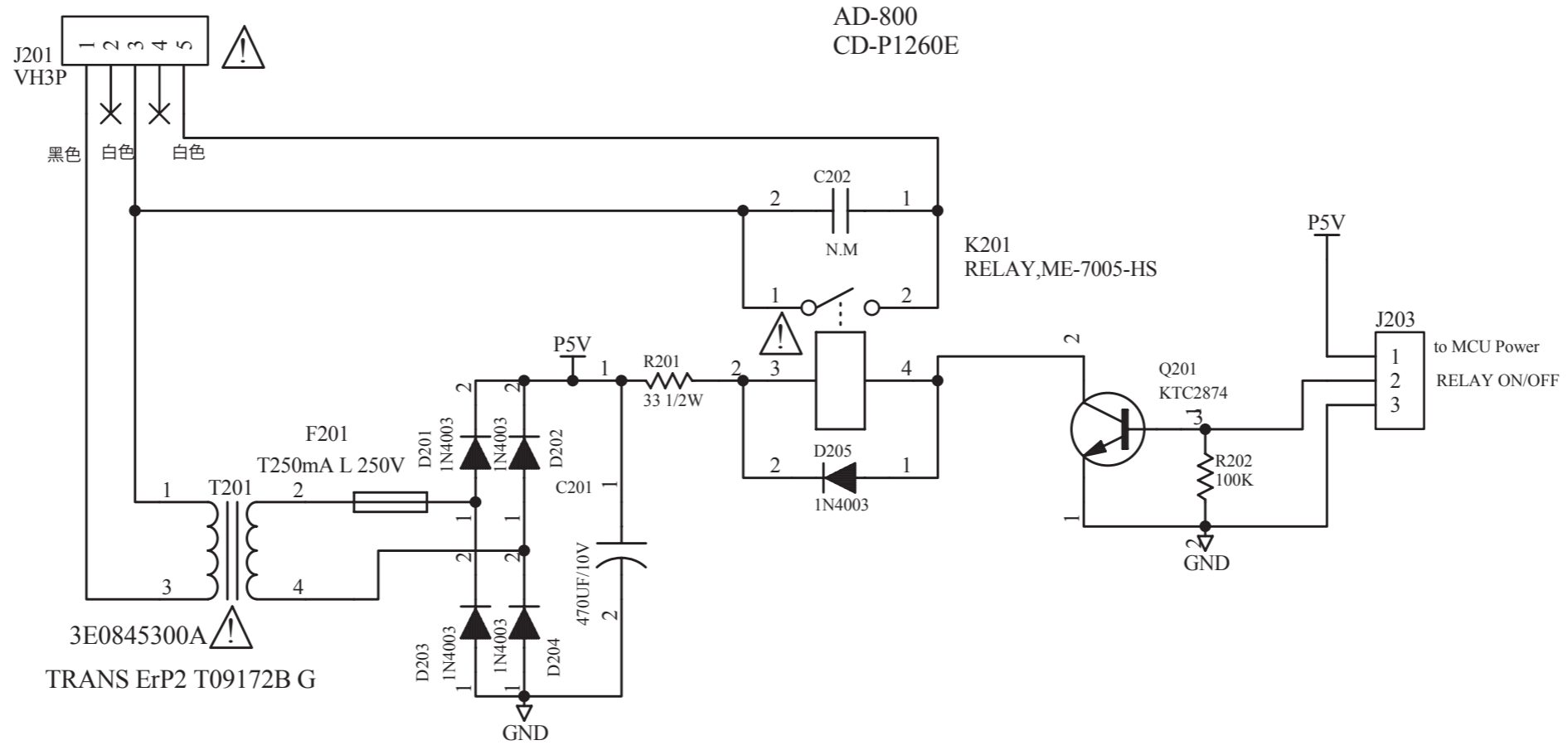
D

E



KEY PART,
PHONE PART

1 2 3 4 5 6 7 8



STANDBY PART