

TEAC



SERVICE MANUAL

AG-10D

AV Digital Home Theater Receiver



CONTENTS

1 SPECIFICATIONS	2
2 ADJUSTMENTS AND CHECKS	3
3 MICROCOMPUTER PIN FUNCTIONS	5
4 EXPLODED VIEWS AND PARTS LIST	8
5 PC BOARDS AND PARTS LIST	11
6 INCLUDED ACCESSORIES	36

NOTES

- PC boards shown are viewed from parts side.
- The parts with no reference number or no parts number in the exploded views are not supplied.
- As regards the resistors and capacitors, refer to the circuit diagrams contained in this manual.
- ⚠ Parts marked with this sign are safety critical components. They must be replaced with identical components - refer to the appropriate parts list and ensure exact replacement.
- Parts of [] mark can be used only with the version designated.
[US]:U.S.A. [C]:CANADA [E]:EUROPE [UK]:U.K. [K]:KOREA

1 SPECIFICATIONS

Amplifier Section

Output Power	100 W + 100 W (Stereo, 0.2 % THD, 20 Hz to 20 kHz, 6 Ω)
Surround Output Power	125 W per channel (0.7 % THD, 1 kHz, 6 Ω , only one channel driven)
Total Harmonic Distortion	0.09 % (at 95 W, 1 kHz, 6 Ω)
Audio Input Sensitivity/Impedance	*LINE: 200 mV/47 k Ω
Output Level/Impedance (TAPE REC)	200 mV / 2.2 k Ω
Frequency Response	*LINE: 20 Hz – 50 kHz, +0 / –3 dB
Signal-to-Noise Ratio	*LINE: 90 dB (IHF-A)
Tone Control	BASS: \pm 10 dB at 100 Hz TREBLE: \pm 10 dB at 10 kHz

Digital Audio Section

Sampling Frequency	32 kHz, 44.1 kHz, 48 kHz, 96 kHz
Digital Input Level	COAXIAL (75 Ω): 0.5 Vp-p OPTICAL (660nm): –15 dBm to –21 dBm

Video Section

Video Format (OSD)	
U.S.A./Canada/Korea model	NTSC
Europe/U.K. model	PAL
S-Video Output	
Y (luminance) - Output level	1 Vp-p (75 Ω)
C (color) - Output level.....	286 mVp-p (75 Ω)
Jacks	S-VIDEO jack
Video Output	
Output level	1 Vp-p (75 Ω)
Jacks	RCA jack
Component Video Output (Y, P _B , P _R)	
Y-Output level.....	1.0 Vp-p (75 Ω)
P _B , P _R -Output level	0.7 Vp-p (75 Ω)
Jacks	RCA jacks

FM Tuner Section

(Without notes 100.1 MHz, 65 dBf)

Tuning Range	
U.S.A./Canada model.....	87.5 MHz – 108.0 MHz, 100 kHz steps
Europe/U.K./Korea model....	87.5 MHz – 108.0 MHz, 50 kHz steps
Total Harmonic Distortion (1 kHz)	Mono: 0.5%, Stereo: 0.8%
Frequency Response.....	30 Hz – 15 kHz, \pm 3 dB
Stereo Separation (1 kHz)	
U.S.A./Canada/Korea model	32 dB
Europe/U.K. model	40 dB
Signal-to-Noise Ratio	Mono: 70 dB, Stereo: 65 dB

AM Tuner Section

Tuning Range	
U.S.A./Canada model	520 kHz – 1,710 kHz, 10 kHz steps
Europe/U.K./Korea model	522 kHz – 1,611 kHz, 9 kHz steps
Usable Sensitivity	500 μ V/m
Total Harmonic Distortion	1.5% at 100 dB/m
Signal-to-Noise Ratio	40 dB at 100 dB/m

General

Power Requirements	
U.S.A./Canada model	AC 120 V, 60 Hz
Europe/U.K. model.....	AC 230 V, 50 Hz
Korea model.....	AC 220 V, 60 Hz
Power Consumption	
U.S.A./Canada model	2.5 A (STANDBY : 2 W)
Europe/U.K. model	250 W (STANDBY : 3 W)
Korea model.....	250 W (STANDBY : 2 W)
AC Outlet (except U.K. model, total 100 W max.)	
U.S.A./Canada model	switched x 2
Europe/Korea model	switched x 1
Dimensions (W x H x D)	435 x 143 x 372 mm (17-1/8" x 5-5/8" x 14-5/8")
Weight (net)	10.4 kg (22-15/16 lb)

Standard Accessories

Power Cord x 1
AM Loop Antenna x 1
FM T-type Antenna x 1
FM Matching Transformer x 1
Remote Control Unit x 1
U.S.A./Canada/Korea model : UR-423
Europe/U.K. model : UR-424
Battery (AAA, R03, UM-4) x 2
Owner's Manual x 1

* LINE means CD, TAPE, VIDEO.

- Design and specifications are subject to change without notice.
- Weight and dimensions are approximate.

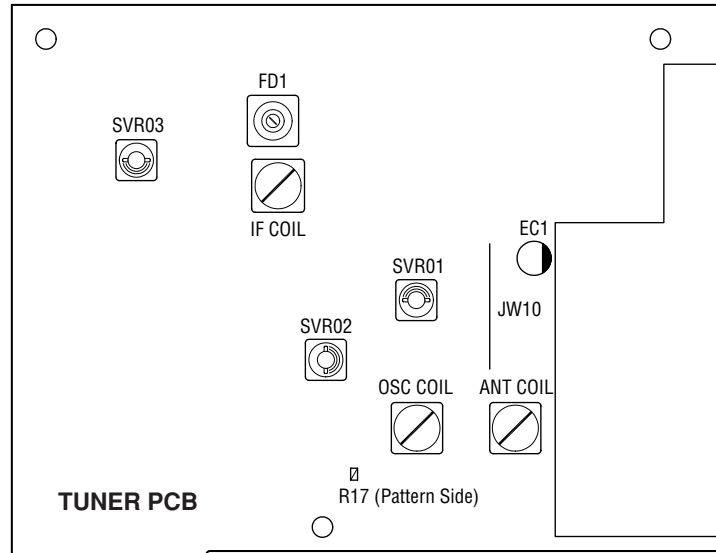
2 ADJUSTMENTS AND CHECKS

2-1 Equipment Required

- AM Standard Signal Generator (AM SSG)
- FM Standard Signal Generator (FM SSG)
- Oscilloscope
- AC Voltmeter
- Audio Generator
- Stereo Modulator
- Distortion Meter
- DC Voltmeter

Note : Disconnect external FM antenna prior to adjustment.

2-2 Adjustment Locations



2-3 AM Adjustment

- Output of signal generator should not be greater than necessary to obtain an optimum output reading.
- Signal generator modulation : 30%
- Signal frequency : 400Hz
- Modulation frequency : 600kHz, 1000kHz, 1400kHz [US,C] / 603kHz, 999kHz, 1404kHz [E,UK,K]

ITEM	SIGNAL GENERATOR SETTING	SET FREQUENCY SETTING	EQUIPMENT CONNECTION	ADJUSTMENT POINTS	ADJUST FOR
1. Tuning Voltage	520kHz / 1710kHz [US,C] 522kHz / 1611kHz [E,UK,K]	520kHz / 1710kHz [US,C] 522kHz / 1611kHz [E,UK,K]	JW10 DC Voltmeter	OSC COIL	520kHz : $1.2 \pm 0.1V$ 1710kHz : 7.0~8.5V 1611kHz : 7.2~8.5V
2. IF Tracking	600kHz [US,C] 603kHz [E,UK,K]	600kHz [US,C] 603kHz [E,UK,K]	TAPE PLAY terminal AC Voltmeter Oscilloscope	IF COIL	Maximize audio output
3. RF Tracking	600kHz [US,C] 603kHz [E,UK,K]	600kHz [US,C] 603kHz [E,UK,K]	TAPE PLAY terminal AC Voltmeter Oscilloscope	ANT COIL	Maximize audio output Repeat LOW,HIGH frequency
4. Seek Level	600kHz [US,C] 603kHz [E,UK,K]	600kHz [US,C] 603kHz [E,UK,K]	TAPE PLAY terminal AC Voltmeter Oscilloscope	SVR03	Tuned on point

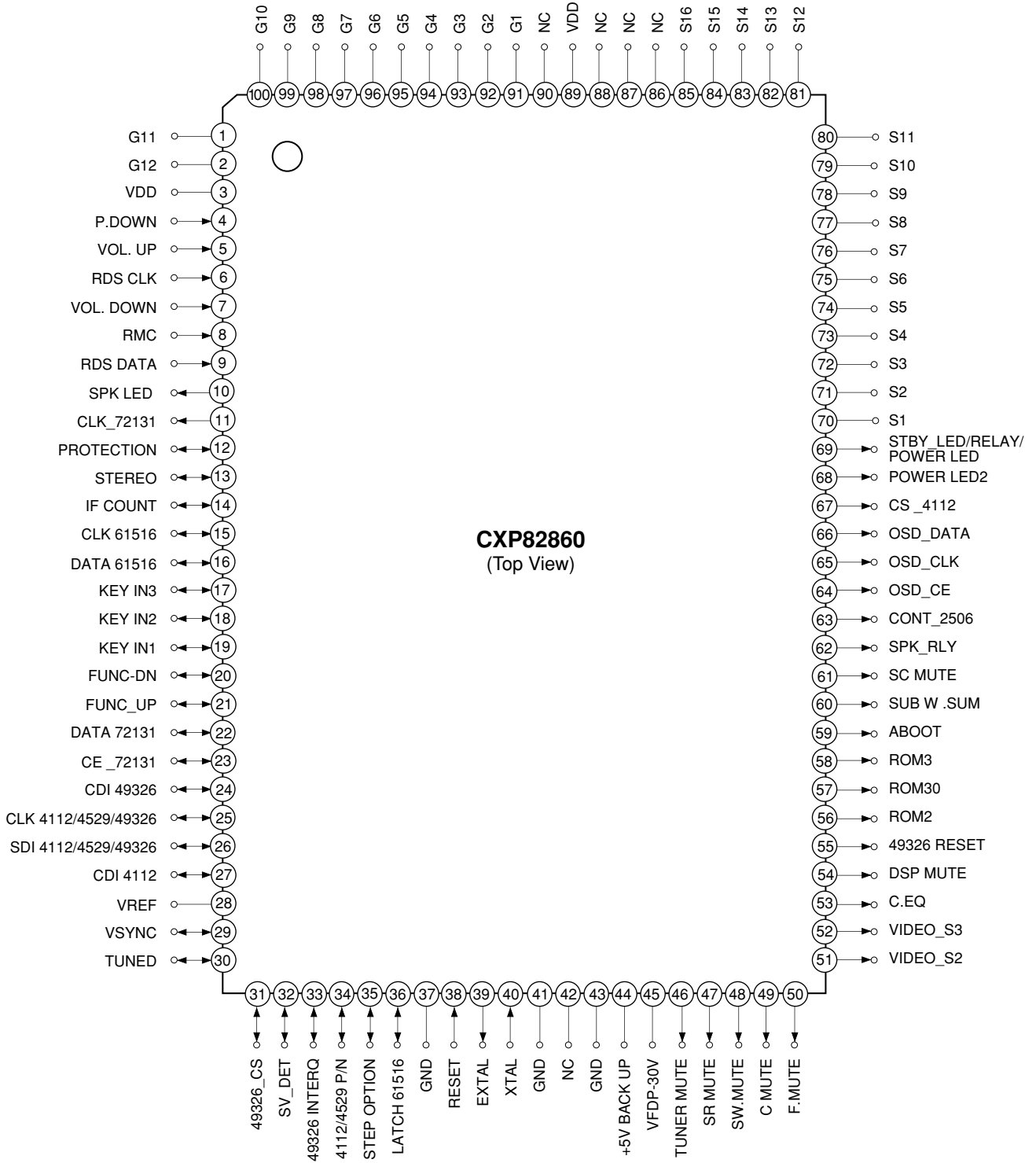
2-4 FM Adjustment

- Output of signal generator should not be greater than necessary to obtain an optimum output reading.
- Signal generator modulation : MAIN : 90%, PILOT : 10%
- Signal frequency : 1kHz, Deviation : 75kHz [US,C,K] / 40kHz [E,UK]
- Modulation frequency : 90.1MHz, 98.1MHz, 106.1MHz

ITEM	SIGNAL GENERATOR SETTING	SET FREQUENCY SETTING	EQUIPMENT CONNECTION	ADJUSTMENT POINTS	ADJUST FOR
1. Tuning Voltage	87.5MHz 108MHz	87.5MHz 108MHz	EC1 DC Voltmeter	Check	87.5MHz : 1.35~1.65V 108MHz : 6.5~8.5V
2. FM DET and Distortion	98.1MHz	98.1MHz	R17 DC Voltmeter TAPE PLAY terminal AC Voltmeter Oscilloscope	FD1	0V and minimize distortion
3. Stereo Separation	98.1MHz	98.1MHz	TAPE PLAY terminal AC Voltmeter Oscilloscope	SVR02	Minimize stereo distortion and maximize separation
4. Seek Stop Level	98.1MHz	98.1MHz	TAPE PLAY terminal AC Voltmeter Oscilloscope	SVR01	Scan stop point to 18dBu

3 MICROCOMPUTER PIN FUNCTIONS

3-1 Pin Assignment

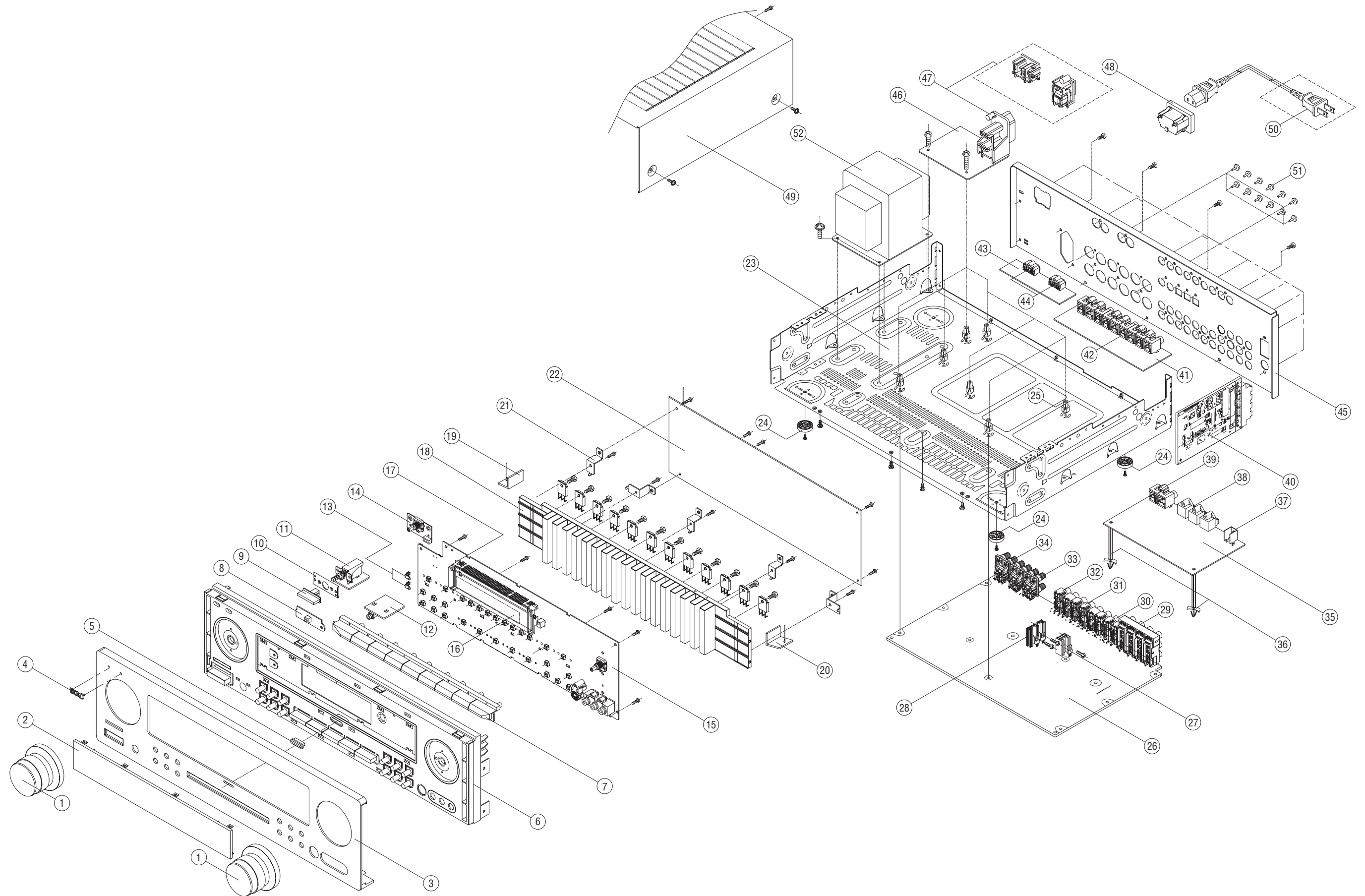


3-2 Pin Functions

Pin No.	Symbol	Description
1~2	G1/G2	GRID FL PORT
3	VDD	PULL UP(N.C)
4	P/D	Input for power down.
5	VOL. UP	Input for main volume up.
6	RDS CLK	Clock signal output for BU1924.
7	VOL. DOWN	Input for main volume down.
8	RMC	Input for remocon data.
9	RDS DATA	Input for RDS data of BU1924.
10	SPK LED	Output to drive speaker LED. (At "H", it is active.)
11	CLK 72131	Clock signal output for 72131.
12	PROTECTION	Input for detecting "PROTECTION" condition.
13	STEREO	Input for detecting "STEREO" condition.
14	IF COUNT	Input for detecting TUNER FREQUENCY.
15	CLK 61516	Clock signal output for M61516.
16	DATA 61516	Data signal output for M61516.
17	KEY IN3	Data input for key scan.
18	KEY IN2	Data input for key scan.
19	KEY IN1	Data input for key scan.
20	FUNC_DN	Input for function encoder down
21	FUNC_UP	Input for function encoder up
22	DATA 72131	Data signal output for 72131.
23	CE 72131	Chip enable signal output to 72131.
24	CDI 49326	Data signal input for CS49326.
25	CLK 4112/4529/49326	Clock signal output for AK4112/AK4529/CS49326.
26	SDI 4112/4529/49326	Data signal output for AK4112/AK4529/CS49326.
27	CDI 4112	Data signal input for AK4112.
28	AVREF	Reference voltage. (Connected to +5V, Not VDD.)
29	VSYNC	Input for detecting synchronization signal output from BA7046
30	TUNED	Input for detecting "TUNED" condition. (At "L", it is active.)
31	CS 49326	Chip select signal output to CS49326
32	SV-DET	Input for detecting S-VIDEO input signal (At "H", it is active.)
33	INTERQ 49326	Interrupt signal output to CS49326
34	P/D4112,4529	Input for AK4112/AK4529power down.
35	STEP_OPT	Input for selecting the frequency ranges steps of FM and AM. (3.4V : RDS, 5V : without RDS Receiver)
36	LATCH M61516	Chip enable signal output to M61516.
37	GND	GROUND
38	RESET	Input for resetting the CPU. (At "L", it is active.)
39	EXTAL	Input for 10MHz crystal oscillator.
40	XTAL	Output for 10MHz crystal oscillator.
41	GND	Ground.
42	NC	Not used!
43	GND	Ground.
44	+5V BACK UP	+5V power supply.
45	VFDP	-30V Supply

Pin No.	Symbol	Description
46	T_MUTE	Output for tuner mute. (At "L", it is active.)
47	SR_MUTE	Output for surround channel mute. (At "L", it is active.)
48	SW_MUTE	Output for sub woofer channel mute. (At "L", it is active.)
49	C_MUTE	Output for center channel mute. (At "L", it is active.)
50	F_MUTE	Output for front channel mute. (At "L", it is active.)
51	VIDEO_S2	Video select 1,2,3
52	VIDEO_S3	Video select 1,2,3
53	CINEMA_EQ	Output for cinema eq (At "H", it is active.)
54	DSP_MUTE	Output for DSP mute. (At "L", it is active.)
55	CS49326RST	Reset signal output to CS4926.
56	ROM2	Signal output to M27W201 .
57	ROM30	Signal output to M27W201 .
58	ROM3	Signal output to M27W201 .
59	AUTOBOOT	Output for DSP AUTOBOOT
60	SUB SUM	Output for sub woofer Summing. (At "L", it is active.)
61	SC_MUTE	Output for center channel mute. (At "L", it is active.)
62	SPK RELAY	Output for Speaker Relay ON/OFF (At "H", it is active.)
63	CONT 2506	Output for NJM 2506 IC
64	OSD CE	Output for chip enable of M35010 OSD IC
65	OSD CLK	Output for clock of M35010 OSD IC
66	OSD DATA	Output for data of M35010 OSD IC
67	CS 4112	Chip select signal output to AK4112
68	POWER LED2	Output for POWER LED Dimmer.
69	STANDBY LED/RELAY/POWER LED	Output to ST/BY LED, STBY Relay and POWER LED. (At "H", it is active.)
70~85	S1~S15	GRID FL PORT
86	N.C	Not used!
87	N.C	Not used!
88	N.C	Not used!
89	VDD	+5V power supply.
90	N.C	Not used!
91~100	G1~G10	GRID FL PORT

4 EXPLODED VIEWS AND PARTS LIST



EXPLODED VIEW LIST

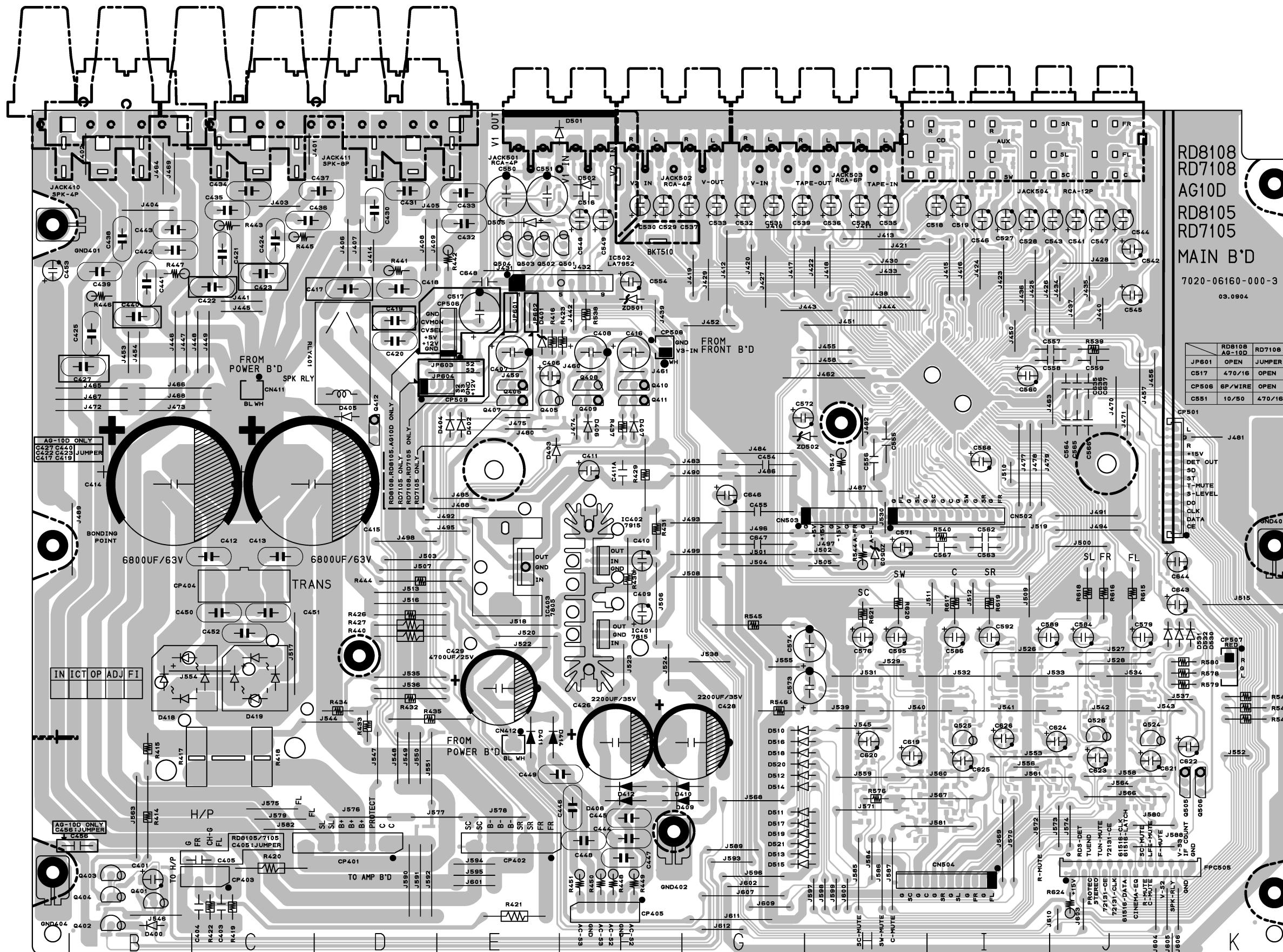
REF. NO.	PARTS NO.	DESCRIPTION	REMARKS
1	9A09976400	KNOB ASSY, VOLUME	5088210788000
2	9A09980600	PANEL, FRONT [US, C, K]	3067211198020
2	9A09974900	PANEL, FRONT [E, UK]	3067211198030
3	9A09976300	WINDOW, DISPLAY	5077210973010
4	9A09976900	BADGE, GRAY	5630210328000
5	9A09976800	INDICATOR	5160210093000
6	9A09975300	BODY	3417210091000
7	9A09976600	BUTTON, 9KEY-RDS	5097211981010
8	9A09978300	ST/BY PCB ASSY	7028062244010
9	9A09976500	BUTTON, POWER	5097211971000
10	9A09975700	BRACKET, POWER	4010210876000
11	9A09978600	POWER SW PCB ASSY	7028062262010
12	9A09981600	HEADPHONE PCB ASSY	7028062263010
13	9A09976700	INDICATOR, STAND-BY	5160040643010
14	9A09978400	FUNCTION PCB ASSY	7028062252010
15	9A09982600	FRONT PCB ASSY [US, C]	7025HK0214011
15	9A09977200	FRONT PCB ASSY [E]	7025HK0214021
15	9A09983900	FRONT PCB ASSY [UK]	7025HK0214031
15	9A09981000	FRONT PCB ASSY [K]	7025HK0214051
16	9A09967400	DISPLAY, FLT	K530123500010
17	9A09976000	HOLDER, FLT	4320210091010
18	9A09974600	HEAT SINK, POWER	2120210608000
19	9A09973900	GUIDE L PCB ASSY	0702806100040
20	9A09974000	GUIDE R PCB ASSY	0702806100050
21	9A09975600	BRACKET, H SINK	4010056906010
22	9A09982800	AMP PCB ASSY [US, C]	7025HK0214015
22	9A09977500	AMP PCB ASSY [E]	7025HK0214025
22	9A09984100	AMP PCB ASSY [UK]	7025HK0214035
22	9A09981200	AMP PCB ASSY [K]	7025HK0214055
23	9A09980700	CHASSIS, MAIN	3200211166000
24	9A09975500	FOOT	4007040241040
25	9A09975800	SPACER, KNOB	4300040561010
26	9A09982500	MAIN PCB ASSY [US, C]	7025HK0214010
26	9A09977100	MAIN PCB ASSY [E]	7025HK0214020
26	9A09983800	MAIN PCB ASSY [UK]	7025HK0214030
26	9A09980900	MAIN PCB ASSY [K]	7025HK0214050
27	9A09974500	HEAT SINK	2120044308020
28	9A09974300	HEAT SINK	2120043538030
29	9A09961100	TERMINAL, RCA 12PIN	G608120154000
30	9A09960700	TERMINAL, RCA 6PIN	G603060046020
31	9A09960600	TERMINAL, RCA 4PIN	G602040045030
32	9A09960500	TERMINAL, RCA 4PIN	G602040045000
33	9A09961300	TERMINAL, BOARD SCREW 8P	G61408103600A
34	9A09961200	TERMINAL, BOARD SCREW 4P	G612041037330
35	9A09982700	DSP PCB ASSY [US, C]	7025HK0214012
35	9A09977300	DSP PCB ASSY [E]	7025HK0214022
35	9A09984000	DSP PCB ASSY [UK]	7025HK0214032
35	9A09981100	DSP PCB ASSY [K]	7025HK0214052
36	9A09975900	SPACER, SUPPORTER	4300210023000
37	9A09975000	SHIELD-PLATE GND	3070045526010
38	9A09958400	MODULE, OPTICAL RCVR	E100150200020
39	9A09960400	TERMINAL, RCA 2PIN	G601200099040
40	9A09981900	TUNER, FM/AM [US, C]	E900900100020
40	9A09959000	TUNER, FM/AM [E, UK]	E903901416000
40	9A09979500	TUNER, FM/AM [K]	E903900100010

EXPLODED VIEW LIST

REF. NO.	PARTS NO.	DESCRIPTION	REMARKS
41	9A09977600	COM-V PCB ASSY	7025HK0214026
42	9A09961000	TERMINAL, RCA 3PIN	G606300125030
43	9A09977400	S-VIDEO PCB ASSY	7025HK0214024
44	9A09959900	JACK, DIN, S-VIDEO 2P	G403040020010
45	9A09982200	CHASSIS, BACK [US, C, UK]	3207211176130
45	9A09975200	CHASSIS, BACK [E]	3207211176120
45	9A09980800	CHASSIS, BACK [K]	3207211176150
46	9A09983700	POWER PCB ASSY [US, C]	7028061621060
46	9A09978200	POWER PCB ASSY [E]	7028061621070
46	9A09983600	POWER PCB ASSY [UK]	70280616210A0
46	9A09981500	POWER PCB ASSY [K]	7028061621090
47	△ 9A09979700	SOCKET, POWER RECEPTACLE [US, C]	G435040070000
47	△ 9A09960100	SOCKET, AC OUTLET YKE31-0090 [E]	G435040110000
47	△ 9A09982000	SOCKET, POWER RECEPTACLE [K]	G435000160010
48	△ 9A09960000	SOCKET, POWER AC	G430040550010
49	9A09974800	CABINET, TOP	3007210356000
50	△ 9A09982100	CORD, AC [US, C]	L061000000080
50	△ 9A09969200	CORD, AC [E]	L061000000060
50	△ 9A09982100	CORD, AC [UK]	L061000000080
50	△ 9A09980100	CORD, AC [K]	L061000000050
51	9A09974700	BUSHING, TERMINAL	2410040353010
52	△ 9A09986100	POWER TRANS, MAIN (RD8108A) [US, C]	8200960610021
52	△ 9A09984900	POWER TRANS, MAIN (RD8108D) [E, UK]	8200960610091
52	△ 9A09986700	POWER TRANS, MAIN (RD8108C) [K]	8200960610081
Q213C	△ 9A10004800	TR, SAP16P	J501151000010
Q213L	△ 9A10004800	TR, SAP16P	J501151000010
Q213R	△ 9A10004800	TR, SAP16P	J501151000010
Q213SC	△ 9A10004800	TR, SAP16P	J501151000010
Q213SL	△ 9A10004800	TR, SAP16P	J501151000010
Q213SR	△ 9A10004800	TR, SAP16P	J501151000010
Q214C	△ 9A10005000	TR, SAP16N	J503151000010
Q214L	△ 9A10005000	TR, SAP16N	J503151000010
Q214R	△ 9A10005000	TR, SAP16N	J503151000010
Q214SC	△ 9A10005000	TR, SAP16N	J503151000010
Q214SL	△ 9A10005000	TR, SAP16N	J503151000010
Q214SR	△ 9A10005000	TR, SAP16N	J503151000010

5 PC BOARDS AND PARTS LIST

MAIN PCB (SIDE A)



RD8108
RD7108
AG10D
RD8105
RD7105
MAIN B'D

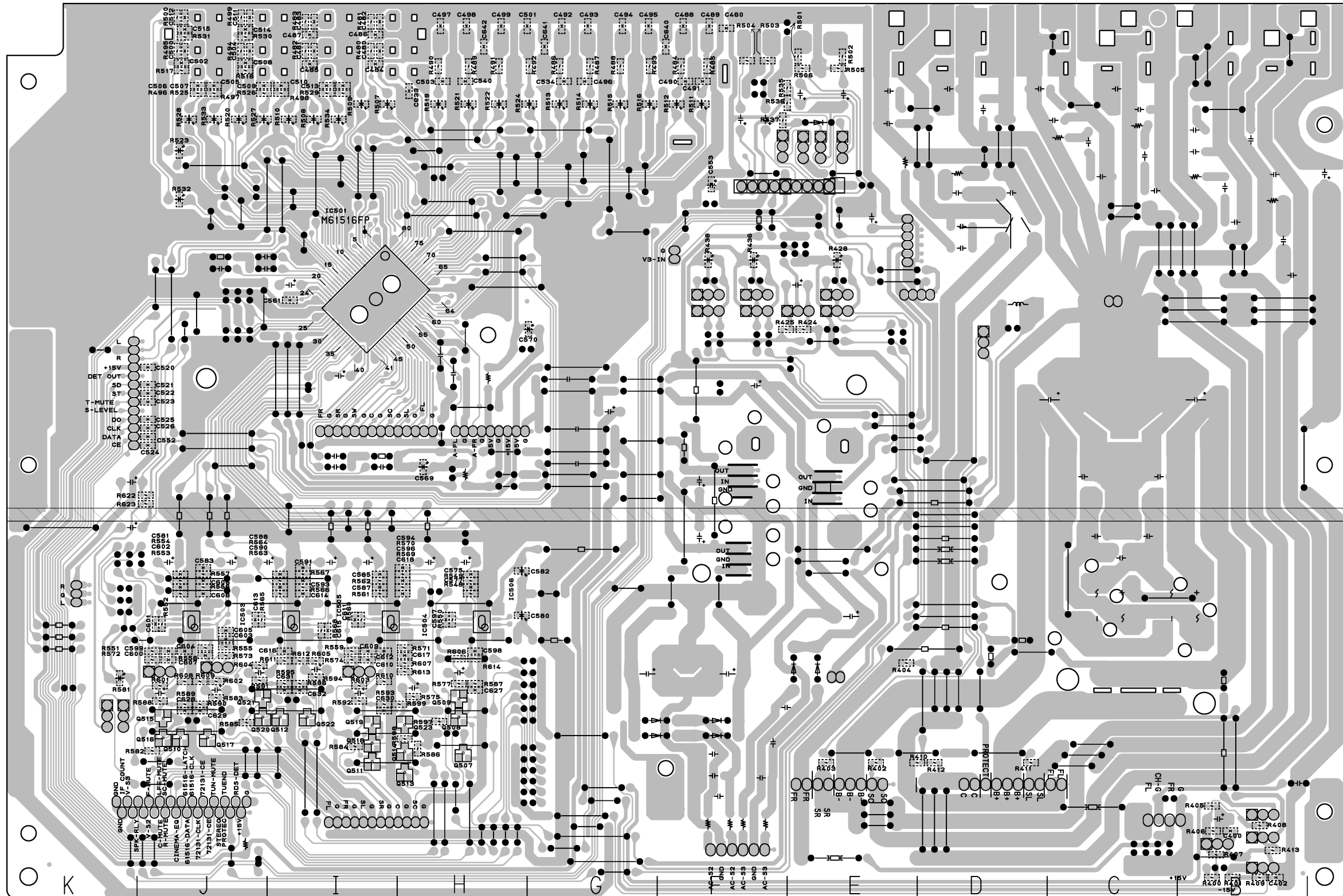
7020-06160-000-3
03.0904

RD8108	RD7108
AG-10D	AG-10D
JP601	OPEN JUMPER
CP506	6P/WIRE OPEN
C551	10/50 470/16

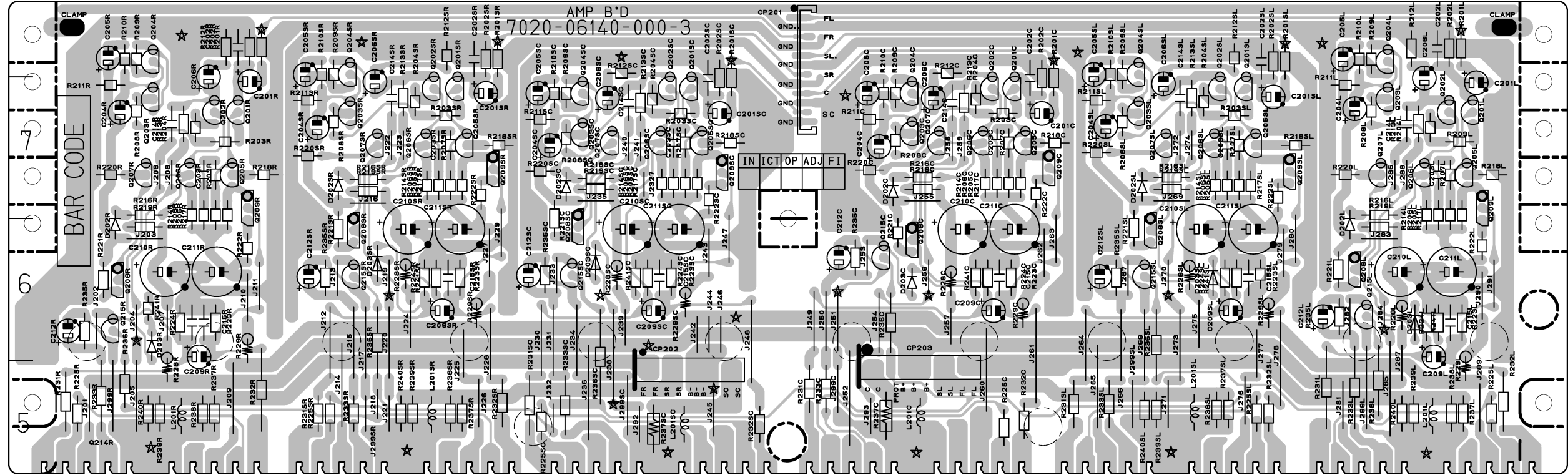
CP501	L
	R
	+15V
	DET OUT
	SD
	ST
	T-MUTE
	S-LEVEL
	DO
	CLK
	DATA
	CE

R543	R542
R541	R540
R539	R538
R537	R536
R535	R534
R533	R532
R531	R530
R529	R528
R527	R526
R525	R524
R523	R522
R521	R520
R519	R518
R517	R516
R515	R514
R513	R512
R511	R510
R509	R508
R507	R506
R505	R504
R503	R502
R501	R500

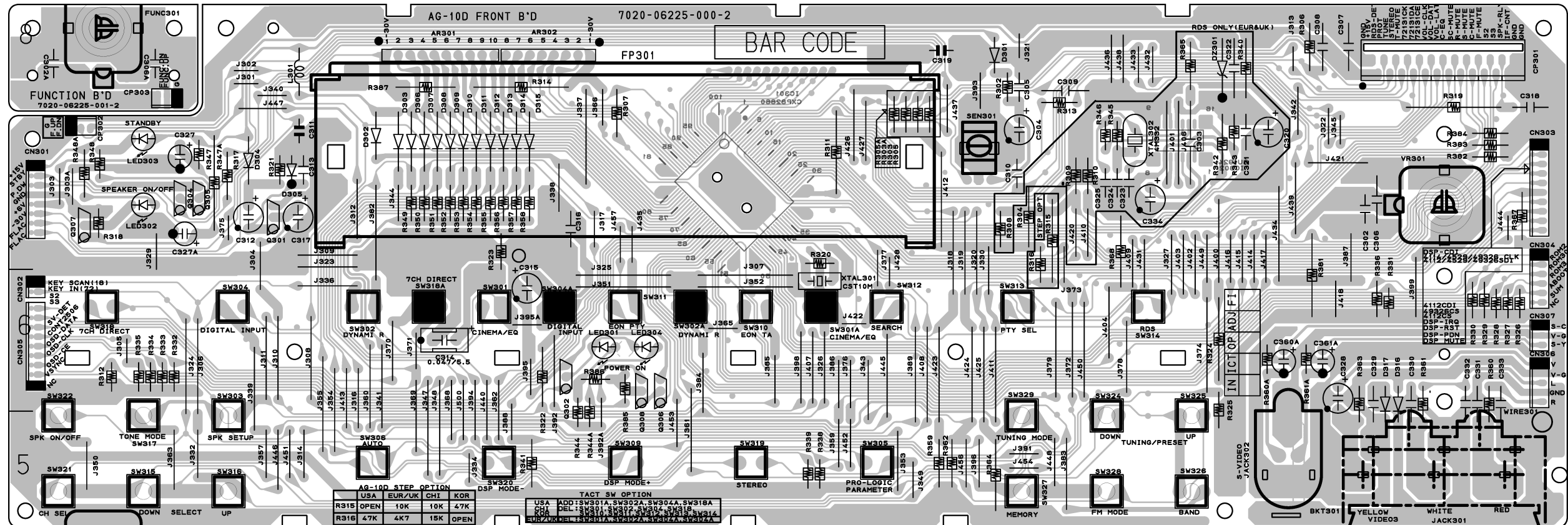
MAIN PCB (SIDE B)



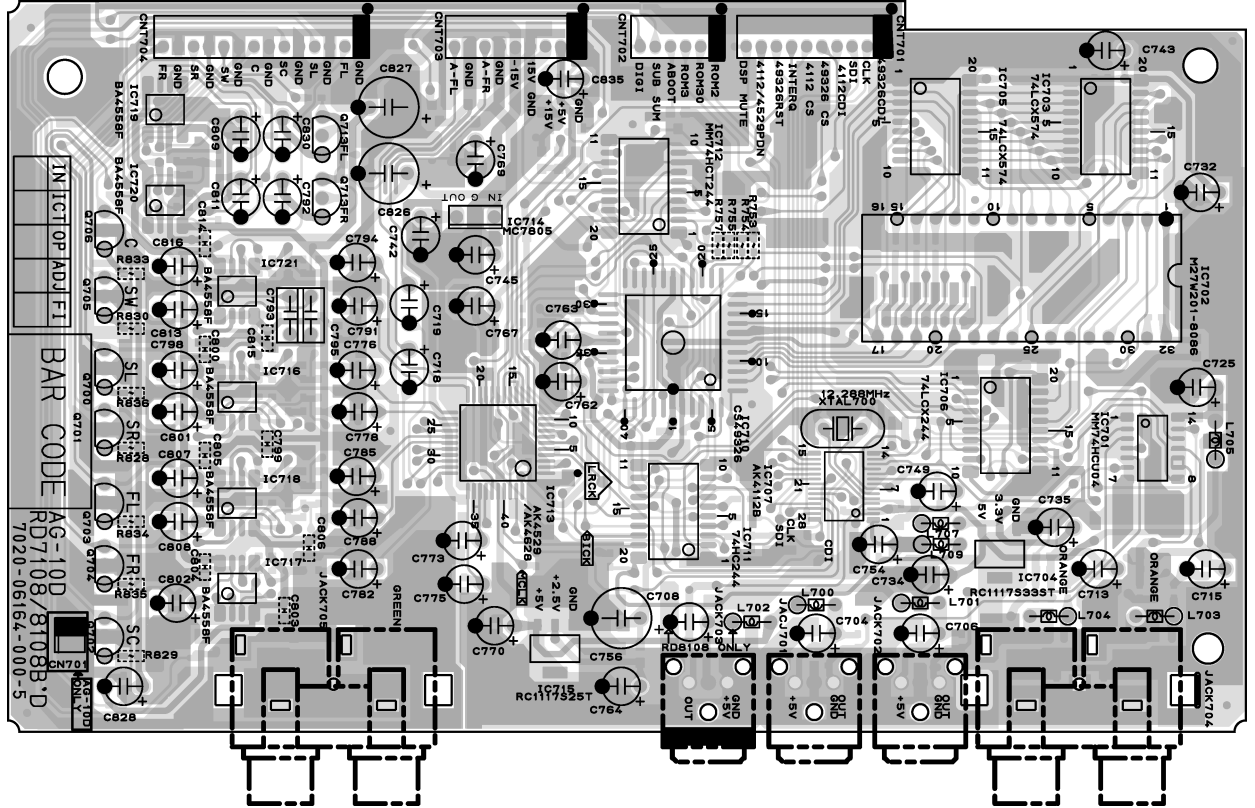
AMP PCB



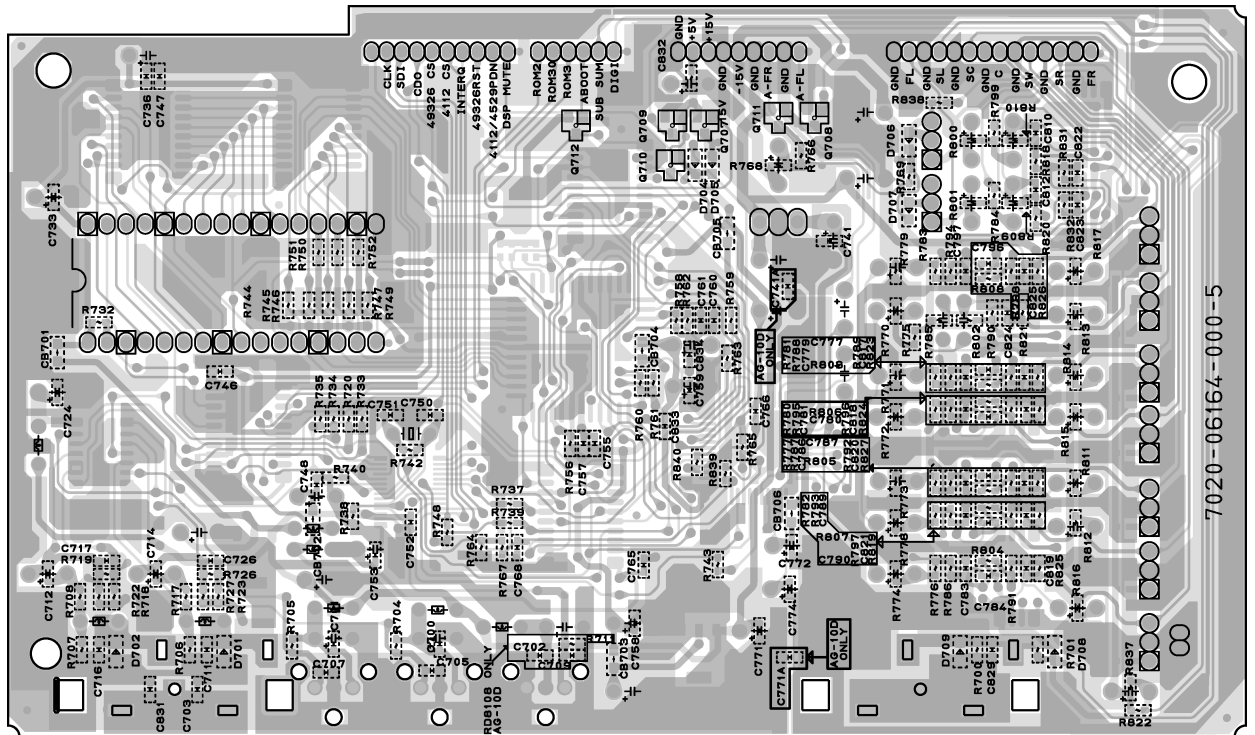
FUNCTION PCB / FRONT PCB



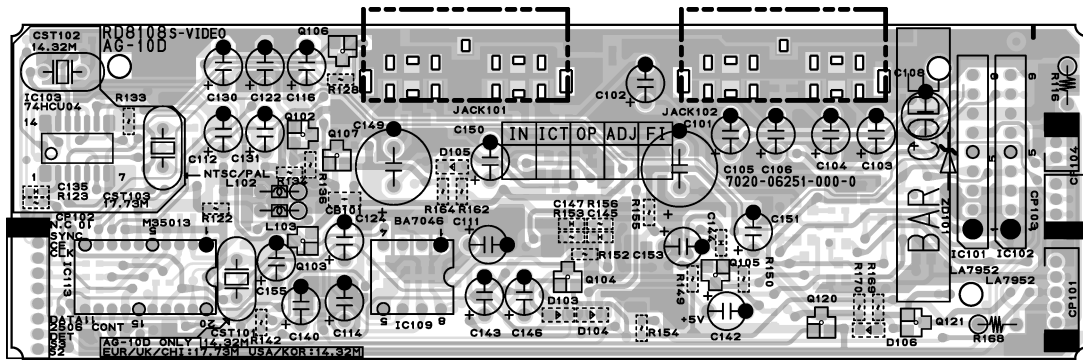
DSP PCB (SIDE A)



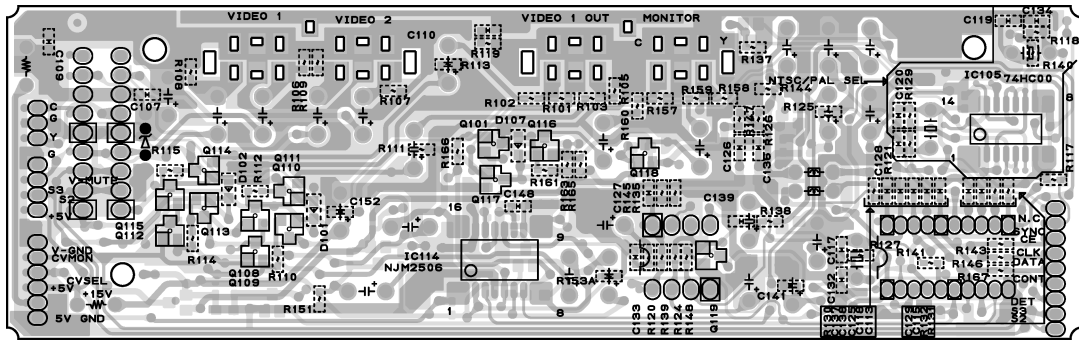
DSP PCB (SIDE B)



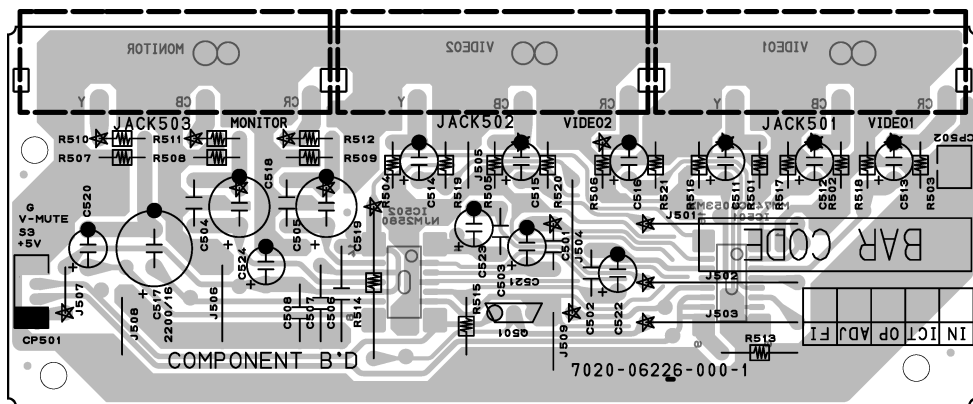
S-VIDEO PCB (SIDE A)



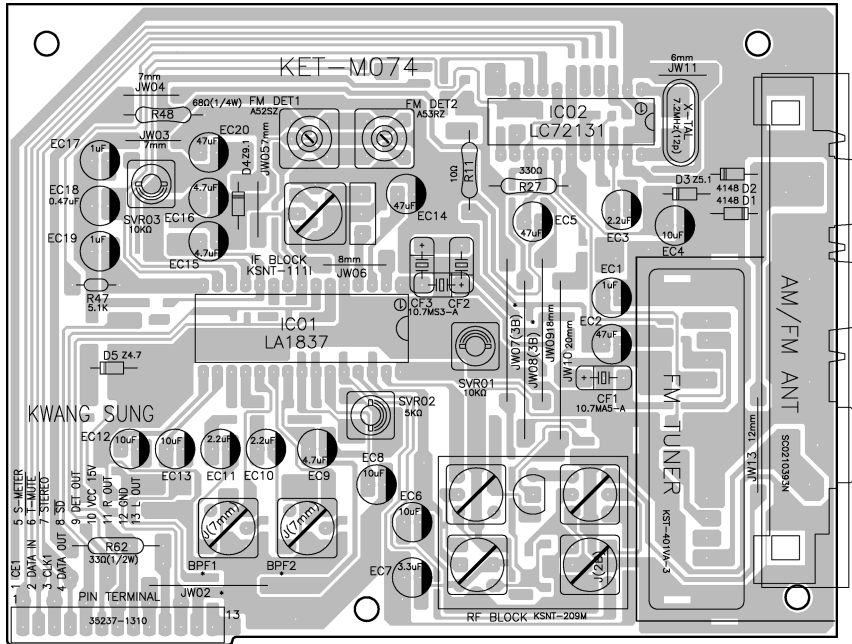
S-VIDEO PCB (SIDE B)



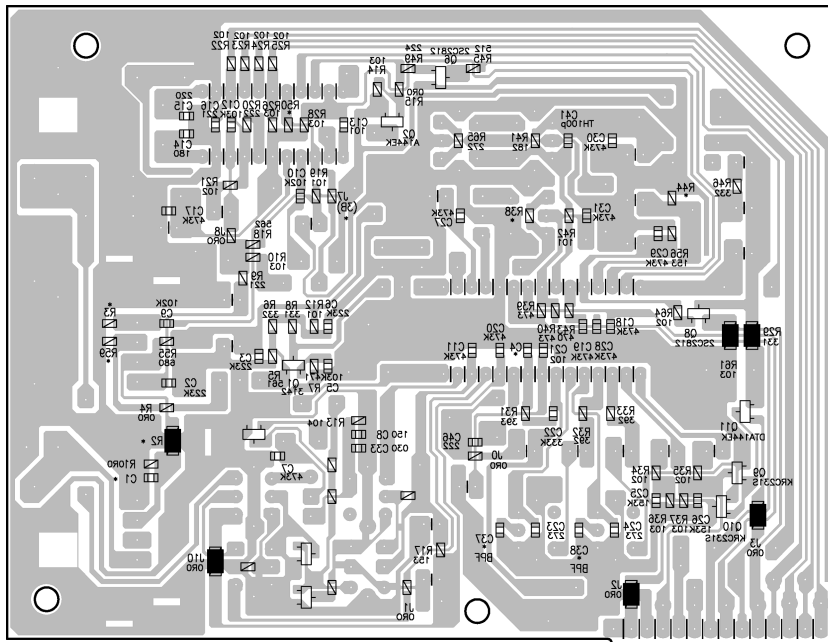
COMPONENT PCB



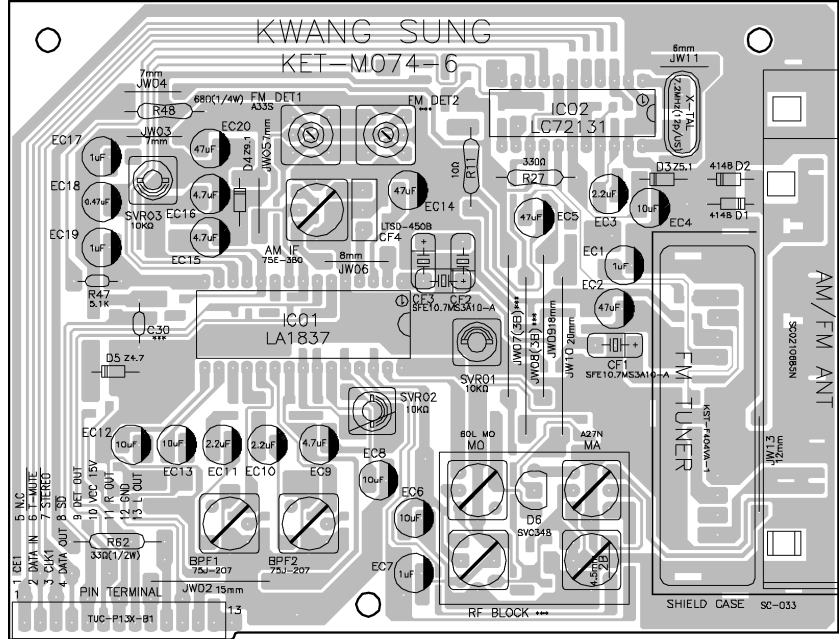
TUNER PCB [US,C] (SIDE A)



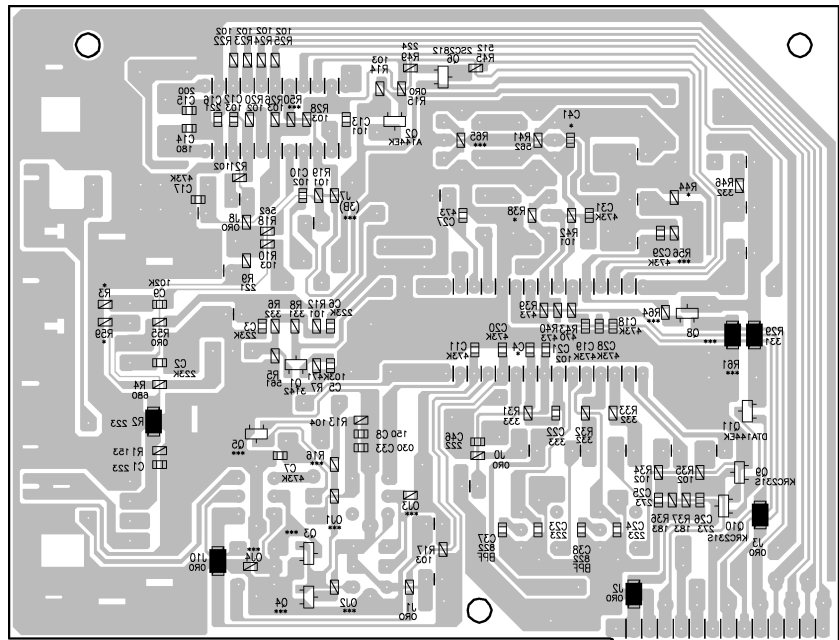
TUNER PCB [US,C] (SIDE B)



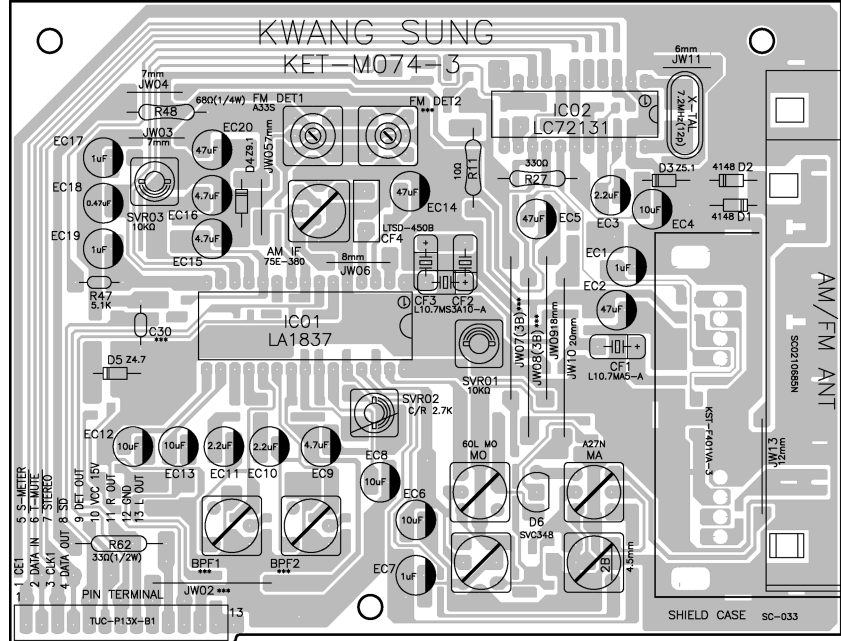
TUNER PCB [E,UK] (SIDE A)



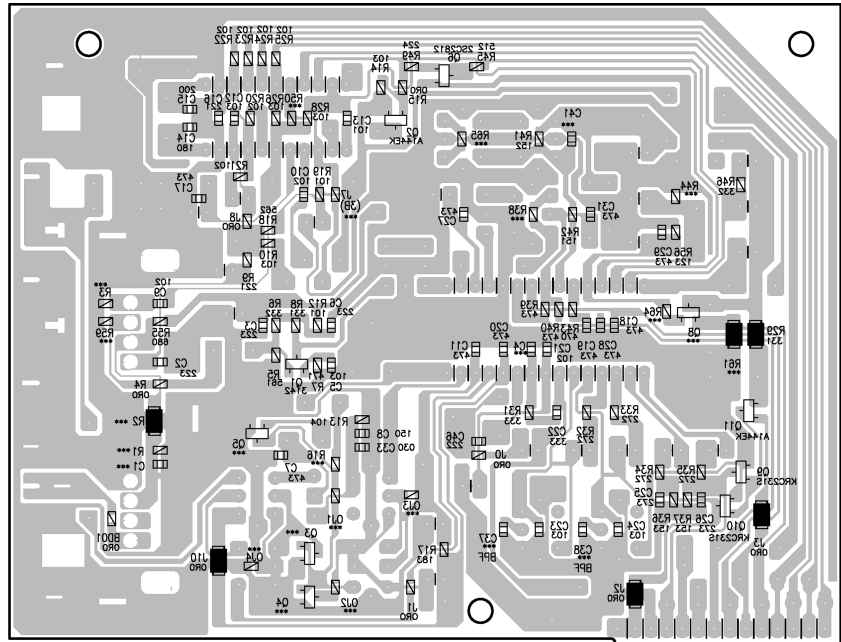
TUNER PCB [E,UK] (SIDE B)



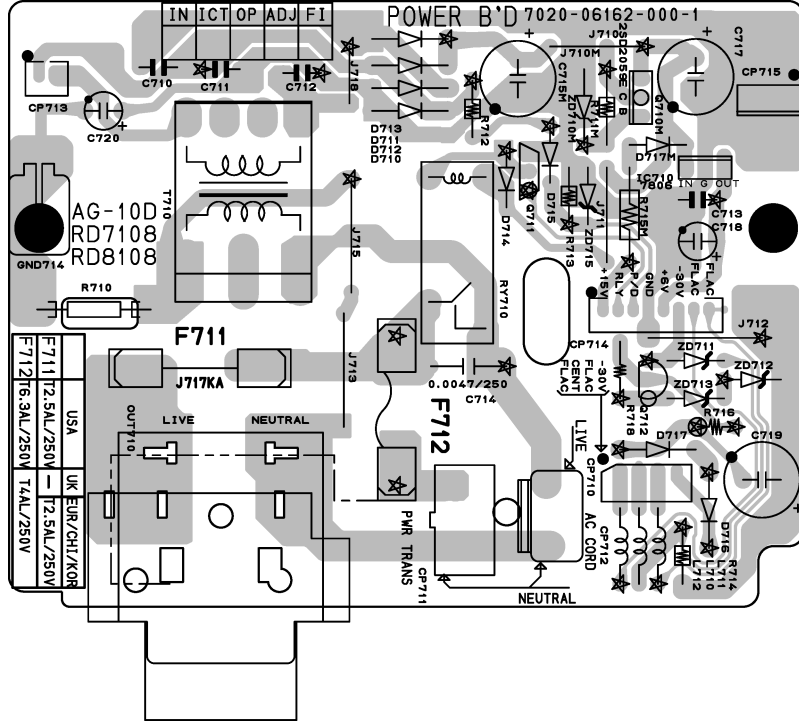
TUNER PCB [K] (SIDE A)



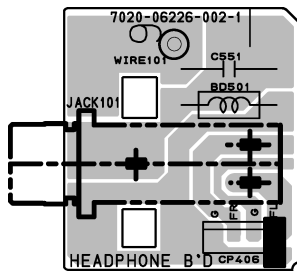
TUNER PCB [K] (SIDE B)



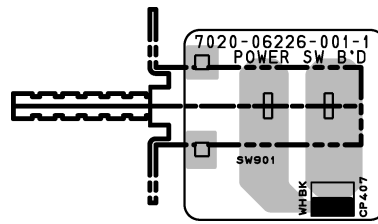
POWER PCB



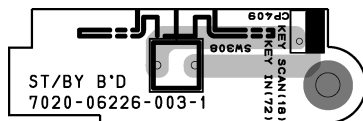
HEADPHONE PCB



POWER SW PCB



ST/BY PCB



MAIN PCB ASSY [US,C]

REF. NO.	PARTS NO.	DESCRIPTION
	9A09982500	MAIN PCB ASSY
	9A09974400	HEAT SINK
	9A09974500	HEAT SINK
	9A09975100	SHIELD, PLATE
C414	△ 9A09957700	CE, 6800UF-M/63V
C415	△ 9A09957700	CE, 6800UF-M/63V
C426	△ 9A09957200	CE, 2200UF-M/35V
C428	△ 9A09957200	CE, 2200UF-M/35V
C429	△ 9A09957600	CE, 4700UF-M/25V
CN411	9A09969400	CN, WAFER, G1L-S-2P-S2T2-EF
CN412	9A09969400	CN, WAFER, G1L-S-2P-S2T2-EF
CP401	9A09970800	CN, WAFER, 5267-10A 10P
CP402	9A09970700	CN, WAFER, 5267-09A 9P
CP403	9A09970500	CN, WAFER, 5267-04A 4P
CP404	9A09980300	CN, WAFER, 35328-0310
CP405	9A09970600	CN, WAFER, 5267-06A 6P
CP501	9A09969300	CN, WAFER, TUC-P13P-B1 13P
CP507	9A09969600	CN, WAFER, G1L-S-3P-S2T2-EF
CP508	9A09969400	CN, WAFER, G1L-S-2P-S2T2-EF
D400	9A09966200	DIODE, 1SS133T-72
D401	9A09966700	D, ZENER, MTZJ5.1B
D402	9A09966200	DIODE, 1SS133T-72
D403	9A09966200	DIODE, 1SS133T-72
D404	9A09966200	DIODE, 1SS133T-72
D405	9A09966200	DIODE, 1SS133T-72
D406	9A09966200	DIODE, 1SS133T-72
D407	9A09966200	DIODE, 1SS133T-72
D408	△ 9A09966300	DIODE, 1N4007
D409	△ 9A09966300	DIODE, 1N4007
D410	△ 9A09966300	DIODE, 1N4007
D411	△ 9A09966300	DIODE, 1N4007
D412	△ 9A09966300	DIODE, 1N4007
D414	△ 9A09966300	DIODE, 1N4007
D418	△ 9A09966500	D, BRIDGE, KBPC604
D419	△ 9A09966500	D, BRIDGE, KBPC604
D501	9A09966200	DIODE, 1SS133T-72
D502	9A09966200	DIODE, 1SS133T-72
D505	9A09966200	DIODE, 1SS133T-72
D510	9A09966200	DIODE, 1SS133T-72
D511	9A09966200	DIODE, 1SS133T-72
D512	9A09966200	DIODE, 1SS133T-72
D513	9A09966200	DIODE, 1SS133T-72
D514	9A09966200	DIODE, 1SS133T-72
D515	9A09966200	DIODE, 1SS133T-72
D516	9A09966200	DIODE, 1SS133T-72
D517	9A09966200	DIODE, 1SS133T-72
D518	9A09966200	DIODE, 1SS133T-72
D519	9A09966200	DIODE, 1SS133T-72
D520	9A09966200	DIODE, 1SS133T-72
D521	9A09966200	DIODE, 1SS133T-72
D530	9A09966200	DIODE, 1SS133T-72
D531	9A09966200	DIODE, 1SS133T-72
D532	9A09966200	DIODE, 1SS133T-72
FPC505	9A09971000	CN, FPC, SCB 1125-00 25P ST
GND401	9A09975400	TERMINAL, GND PLATE

MAIN PCB ASSY [US,C]

REF. NO.	PARTS NO.	DESCRIPTION
GND403	9A09975400	TERMINAL, GND PLATE
GND404	9A09975400	TERMINAL, GND PLATE
IC401	△ 9A09963600	IC, MC7815CT
IC402	△ 9A09963700	IC, KIA7915PI
IC403	△ 9A09963400	IC, MC7805CT
IC501	9A09962800	IC, M61516FP
IC502	9A09964000	IC, LA7952
IC503	9A09963000	IC, BA4558F-E2
IC504	9A09963000	IC, BA4558F-E2
IC505	9A09963000	IC, BA4558F-E2
IC506	9A09963000	IC, BA4558F-E2
JACK410	9A09961200	TERMINAL, SPK 4P, SH0410379P
JACK411	9A09961400	TERMINAL, SPK 8P, SH0810369P
JACK501	9A09960600	TERMINAL, 4PIN, JK040045YN
JACK502	9A09960500	TERMINAL, 4PIN, JK0400450N
JACK503	9A09960700	TERMINAL, 6PIN, JK060046CN
JACK504	9A09961100	TERMINAL, RCA, JB120154MN
Q401	9A09964900	TR, KTC3200BL
Q402	9A09964500	TR, KTA1268BL
Q403	9A09964400	TR, KTA1266Y
Q404	9A09964400	TR, KTA1266Y
Q405	9A09964200	TR, KSA992F
Q406	9A09964600	TR, 2SC1740SR
Q407	9A09964600	TR, 2SC1740SR
Q408	9A09964600	TR, 2SC1740SR
Q409	9A09964600	TR, 2SC1740SR
Q410	9A09964600	TR, 2SC1740SR
Q411	9A09964600	TR, 2SC1740SR
Q412	9A09966100	TR, KRC107M
Q501	9A09966100	TR, KRC107M
Q502	9A09966100	TR, KRC107M
Q503	9A09964600	TR, 2SC1740SR
Q504	9A09964600	TR, 2SC1740SR
Q505	9A09966000	TR, KRA107M
Q506	9A09966100	TR, KRC107M
Q507	9A09965600	TR, KRC107S (NH)
Q508	9A09965200	TR, KRA107S (PH)
Q509	9A09965500	TR, KRC231S (NW)
Q510	9A09965600	TR, KRC107S (NH)
Q511	9A09965600	TR, KRC107S (NH)
Q512	9A09965600	TR, KRC107S (NH)
Q513	9A09965600	TR, KRC107S (NH)
Q514	9A09965200	TR, KRA107S (PH)
Q515	9A09965500	TR, KRC231S (NW)
Q516	9A09965200	TR, KRA107S (PH)
Q517	9A09965500	TR, KRC231S (NW)
Q518	9A09965200	TR, KRA107S (PH)
Q519	9A09965500	TR, KRC231S (NW)
Q520	9A09965200	TR, KRA107S (PH)
Q521	9A09965500	TR, KRC231S (NW)
Q522	9A09965500	TR, KRC231S (NW)
Q523	9A09965700	TR, KTC2875B (MB)
Q524	9A09965900	FET, 2SK117Y (TYPE2)
Q525	9A09965900	FET, 2SK117Y (TYPE2)
Q526	9A09965900	FET, 2SK117Y (TYPE2)

MAIN PCB ASSY [US,C]

REF. NO.	PARTS NO.	DESCRIPTION
R417	△ 9A09949000	R, CEMENT, 0.1-J 5W
R418	△ 9A09949000	R, CEMENT, 0.1-J 5W
R420	△ 9A09948700	R, METAL, 390-J 1W
R421	△ 9A09948700	R, METAL, 390-J 1W
R427	△ 9A09948300	R, METAL, 1.5K-J 1W
R440	△ 9A09948300	R, METAL, 1.5K-J 1W
R441	△ 9A09948100	R, METAL, 10-J 1W
R442	△ 9A09948100	R, METAL, 10-J 1W
R443	△ 9A09948100	R, METAL, 10-J 1W
R444	△ 9A09948200	R, METAL, 10 OHM 1W
R445	△ 9A09948100	R, METAL, 10-J 1W
R446	△ 9A09948100	R, METAL, 10-J 1W
R447	△ 9A09948100	R, METAL, 10-J 1W
R448	△ 9A09947900	R, METAL, 0.22-J 1W
R449	△ 9A09947900	R, METAL, 0.22-J 1W
R450	△ 9A09947900	R, METAL, 0.22-J 1W
R451	△ 9A09947900	R, METAL, 0.22-J 1W
R544	△ 9A09948500	R, METAL, 220-J 1W
R547	△ 9A09948500	R, METAL, 220-J 1W
RLY401	9A09961700	RELAY, G5PA-28 24V 5A
ZD501	9A09967000	D, ZENER, MTZJ12B
ZD502	9A09966800	D, ZENER, MTZJ6.8B
ZD503	9A09966800	D, ZENER, MTZJ6.8B

MAIN PCB ASSY [E]

REF. NO.	PARTS NO.	DESCRIPTION
	9A09977100	MAIN PCB ASSY
	9A09974400	HEAT SINK
	9A09974500	HEAT SINK
	9A09975100	SHIELD, PLATE
C414	△ 9A09957700	CE, 6800UF-M/63V
C415	△ 9A09957700	CE, 6800UF-M/63V
C426	△ 9A09957200	CE, 2200UF-M/35V
C428	△ 9A09957200	CE, 2200UF-M/35V
C429	△ 9A09957600	CE, 4700UF-M/25V
CN411	9A09969400	CN, WAFER, G1L-S-2P-S2T2-EF
CN412	9A09969400	CN, WAFER, G1L-S-2P-S2T2-EF
CP401	9A09970800	CN, WAFER, 5267-10A 10P
CP402	9A09970700	CN, WAFER, 5267-09A 9P
CP403	9A09970500	CN, WAFER, 5267-04A 4P
CP404	9A09980300	CN, WAFER, 35328-0310
CP405	9A09970600	CN, WAFER, 5267-06A 6P
CP501	9A09969300	CN, WAFER, TUC-P13P-B1 13P
CP507	9A09969600	CN, WAFER, G1L-S-3P-S2T2-EF
CP508	9A09969400	CN, WAFER, G1L-S-2P-S2T2-EF
D400	9A09966200	DIODE, 1SS133T-72
D401	9A09966700	D, ZENER, MTZJ5.1B
D402	9A09966200	DIODE, 1SS133T-72
D403	9A09966200	DIODE, 1SS133T-72
D404	9A09966200	DIODE, 1SS133T-72
D405	9A09966200	DIODE, 1SS133T-72

MAIN PCB ASSY [E]

REF. NO.	PARTS NO.	DESCRIPTION
D406	9A09966200	DIODE, 1SS133T-72
D407	9A09966200	DIODE, 1SS133T-72
D408	△ 9A09966300	DIODE, 1N4007
D409	△ 9A09966300	DIODE, 1N4007
D410	△ 9A09966300	DIODE, 1N4007
D411	△ 9A09966300	DIODE, 1N4007
D412	△ 9A09966300	DIODE, 1N4007
D414	△ 9A09966300	DIODE, 1N4007
D418	△ 9A09966500	D, BRIDGE, KBPC604
D419	△ 9A09966500	D, BRIDGE, KBPC604
D501	9A09966200	DIODE, 1SS133T-72
D502	9A09966200	DIODE, 1SS133T-72
D505	9A09966200	DIODE, 1SS133T-72
D510	9A09966200	DIODE, 1SS133T-72
D511	9A09966200	DIODE, 1SS133T-72
D512	9A09966200	DIODE, 1SS133T-72
D513	9A09966200	DIODE, 1SS133T-72
D514	9A09966200	DIODE, 1SS133T-72
D515	9A09966200	DIODE, 1SS133T-72
D516	9A09966200	DIODE, 1SS133T-72
D517	9A09966200	DIODE, 1SS133T-72
D518	9A09966200	DIODE, 1SS133T-72
D519	9A09966200	DIODE, 1SS133T-72
D520	9A09966200	DIODE, 1SS133T-72
D521	9A09966200	DIODE, 1SS133T-72
D530	9A09966200	DIODE, 1SS133T-72
D531	9A09966200	DIODE, 1SS133T-72
D532	9A09966200	DIODE, 1SS133T-72
FPC505	9A09971000	CN, FPC, SCB 1125-00 25P ST
GND401	9A09975400	TERMINAL, GND PLATE
GND403	9A09975400	TERMINAL, GND PLATE
GND404	9A09975400	TERMINAL, GND PLATE
IC401	△ 9A09963600	IC, MC7815CT
IC402	△ 9A09963700	IC, KIA7915PI
IC403	△ 9A09963400	IC, MC7805CT
IC501	9A09962800	IC, M61516FP
IC502	9A09964000	IC, LA7952
IC503	9A09963000	IC, BA4558F-E2
IC504	9A09963000	IC, BA4558F-E2
IC505	9A09963000	IC, BA4558F-E2
IC506	9A09963000	IC, BA4558F-E2
JACK410	9A09961200	TERMINAL, SPK 4P, SH0410379P
JACK411	9A09961400	TERMINAL, SPK 8P, SH0810369P
JACK501	9A09960600	TERMINAL, 4PIN, JK040045YN
JACK502	9A09960500	TERMINAL, 4PIN, JK0400450N
JACK503	9A09960700	TERMINAL, 6PIN, JK060046CN
JACK504	9A09961100	TERMINAL, RCA, JB120154MN
Q401	9A09964900	TR, KTC3200BL
Q402	9A09964500	TR, KTA1268BL
Q403	9A09964400	TR, KTA1266Y
Q404	9A09964400	TR, KTA1266Y
Q405	9A09964200	TR, KSA992F
Q406	9A09964600	TR, 2SC1740SR
Q407	9A09964600	TR, 2SC1740SR
Q408	9A09964600	TR, 2SC1740SR

MAIN PCB ASSY [E]

REF. NO.	PARTS NO.	DESCRIPTION
Q409	9A09964600	TR, 2SC1740SR
Q410	9A09964600	TR, 2SC1740SR
Q411	9A09964600	TR, 2SC1740SR
Q412	9A09966100	TR, KRC107M
Q501	9A09966100	TR, KRC107M
Q502	9A09966100	TR, KRC107M
Q503	9A09964600	TR, 2SC1740SR
Q504	9A09964600	TR, 2SC1740SR
Q505	9A09966000	TR, KRA107M
Q506	9A09966100	TR, KRC107M
Q507	9A09965600	TR, KRC107S (NH)
Q508	9A09965200	TR, KRA107S (PH)
Q509	9A09965500	TR, KRC231S (NW)
Q510	9A09965600	TR, KRC107S (NH)
Q511	9A09965600	TR, KRC107S (NH)
Q512	9A09965600	TR, KRC107S (NH)
Q513	9A09965600	TR, KRC107S (NH)
Q514	9A09965200	TR, KRA107S (PH)
Q515	9A09965500	TR, KRC231S (NW)
Q516	9A09965200	TR, KRA107S (PH)
Q517	9A09965500	TR, KRC231S (NW)
Q518	9A09965200	TR, KRA107S (PH)
Q519	9A09965500	TR, KRC231S (NW)
Q520	9A09965200	TR, KRA107S (PH)
Q521	9A09965500	TR, KRC231S (NW)
Q522	9A09965500	TR, KRC231S (NW)
Q523	9A09965700	TR, KTC2875B (MB)
Q524	9A09965900	FET, 2SK117Y (TYPE2)
Q525	9A09965900	FET, 2SK117Y (TYPE2)
Q526	9A09965900	FET, 2SK117Y (TYPE2)
R417	△ 9A09949000	R, CEMENT, 0.1-J 5W
R418	△ 9A09949000	R, CEMENT, 0.1-J 5W
R420	△ 9A09948700	R, METAL, 390-J 1W
R421	△ 9A09948700	R, METAL, 390-J 1W
R427	△ 9A09948300	R, METAL, 1.5K-J 1W
R440	△ 9A09948300	R, METAL, 1.5K-J 1W
R441	△ 9A09948100	R, METAL, 10-J 1W
R442	△ 9A09948100	R, METAL, 10-J 1W
R443	△ 9A09948100	R, METAL, 10-J 1W
R444	△ 9A09948200	R, METAL, 10 OHM 1W
R445	△ 9A09948100	R, METAL, 10-J 1W
R446	△ 9A09948100	R, METAL, 10-J 1W
R447	△ 9A09948100	R, METAL, 10-J 1W
R448	△ 9A09947900	R, METAL, 0.22-J 1W
R449	△ 9A09947900	R, METAL, 0.22-J 1W
R450	△ 9A09947900	R, METAL, 0.22-J 1W
R451	△ 9A09947900	R, METAL, 0.22-J 1W
R544	△ 9A09948500	R, METAL, 220-J 1W
R547	△ 9A09948500	R, METAL, 220-J 1W
RLY401	9A09961700	RELAY, G5PA-28 24V 5A
ZD501	9A09967000	D, ZENER, MTZJ12B
ZD502	9A09966800	D, ZENER, MTZJ6.8B
ZD503	9A09966800	D, ZENER, MTZJ6.8B

MAIN PCB ASSY [UK]

REF. NO.	PARTS NO.	DESCRIPTION
	9A09983800	MAIN PCB ASSY
	9A09974400	HEAT SINK
	9A09974500	HEAT SINK
	9A09975100	SHIELD, PLATE
C414	△ 9A09957700	CE, 6800UF-M/63V
C415	△ 9A09957700	CE, 6800UF-M/63V
C426	△ 9A09957200	CE, 2200UF-M/35V
C428	△ 9A09957200	CE, 2200UF-M/35V
C429	△ 9A09957600	CE, 4700UF-M/25V
CN411	9A09969400	CN, WAFER, G1L-S-2P-S2T2-EF
CN412	9A09969400	CN, WAFER, G1L-S-2P-S2T2-EF
CP401	9A09970800	CN, WAFER, 5267-10A 10P
CP402	9A09970700	CN, WAFER, 5267-09A 9P
CP403	9A09970500	CN, WAFER, 5267-04A 4P
CP404	9A09980300	CN, WAFER, 35328-0310
CP405	9A09970600	CN, WAFER, 5267-06A 6P
CP501	9A09969300	CN, WAFER, TUC-P13P-B1 13P
CP507	9A09969600	CN, WAFER, G1L-S-3P-S2T2-EF
CP508	9A09969400	CN, WAFER, G1L-S-2P-S2T2-EF
D400	9A09966200	DIODE, 1SS133T-72
D401	9A09966700	D, ZENER, MTZJ5.1B
D402	9A09966200	DIODE, 1SS133T-72
D403	9A09966200	DIODE, 1SS133T-72
D404	9A09966200	DIODE, 1SS133T-72
D405	9A09966200	DIODE, 1SS133T-72
D406	9A09966200	DIODE, 1SS133T-72
D407	9A09966200	DIODE, 1SS133T-72
D408	△ 9A09966300	DIODE, 1N4007
D409	△ 9A09966300	DIODE, 1N4007
D410	△ 9A09966300	DIODE, 1N4007
D411	△ 9A09966300	DIODE, 1N4007
D412	△ 9A09966300	DIODE, 1N4007
D414	△ 9A09966300	DIODE, 1N4007
D418	△ 9A09966500	D, BRIDGE, KBPC604
D419	△ 9A09966500	D, BRIDGE, KBPC604
D501	9A09966200	DIODE, 1SS133T-72
D502	9A09966200	DIODE, 1SS133T-72
D505	9A09966200	DIODE, 1SS133T-72
D510	9A09966200	DIODE, 1SS133T-72
D511	9A09966200	DIODE, 1SS133T-72
D512	9A09966200	DIODE, 1SS133T-72
D513	9A09966200	DIODE, 1SS133T-72
D514	9A09966200	DIODE, 1SS133T-72
D515	9A09966200	DIODE, 1SS133T-72
D516	9A09966200	DIODE, 1SS133T-72
D517	9A09966200	DIODE, 1SS133T-72
D518	9A09966200	DIODE, 1SS133T-72
D519	9A09966200	DIODE, 1SS133T-72
D520	9A09966200	DIODE, 1SS133T-72
D521	9A09966200	DIODE, 1SS133T-72
D530	9A09966200	DIODE, 1SS133T-72
D531	9A09966200	DIODE, 1SS133T-72
D532	9A09966200	DIODE, 1SS133T-72
FPC505	9A09971000	CN, FPC, SCB 1125-00 25P ST
GND401	9A09975400	TERMINAL, GND PLATE

MAIN PCB ASSY [UK]

REF. NO.	PARTS NO.	DESCRIPTION
GND403	9A09975400	TERMINAL, GND PLATE
GND404	9A09975400	TERMINAL, GND PLATE
IC401	△ 9A09963600	IC, MC7815CT
IC402	△ 9A09963700	IC, KIA7915P1
IC403	△ 9A09963400	IC, MC7805CT
IC501	9A09962800	IC, M61516FP
IC502	9A09964000	IC, LA7952
IC503	9A09963000	IC, BA4558F-E2
IC504	9A09963000	IC, BA4558F-E2
IC505	9A09963000	IC, BA4558F-E2
IC506	9A09963000	IC, BA4558F-E2
JACK410	9A09961200	TERMINAL, SPK 4P, SH0410379P
JACK411	9A09961400	TERMINAL, SPK 8P, SH0810369P
JACK501	9A09960600	TERMINAL, 4PIN, JK040045YN
JACK502	9A09960500	TERMINAL, 4PIN, JK0400450N
JACK503	9A09960700	TERMINAL, 6PIN, JK060046CN
JACK504	9A09961100	TERMINAL, RCA, JB120154MN
Q401	9A09964900	TR, KTC3200BL
Q402	9A09964500	TR, KTA1268BL
Q403	9A09964400	TR, KTA1266Y
Q404	9A09964400	TR, KTA1266Y
Q405	9A09964200	TR, KSA992F
Q406	9A09964600	TR, 2SC1740SR
Q407	9A09964600	TR, 2SC1740SR
Q408	9A09964600	TR, 2SC1740SR
Q409	9A09964600	TR, 2SC1740SR
Q410	9A09964600	TR, 2SC1740SR
Q411	9A09964600	TR, 2SC1740SR
Q412	9A09966100	TR, KRC107M
Q501	9A09966100	TR, KRC107M
Q502	9A09966100	TR, KRC107M
Q503	9A09964600	TR, 2SC1740SR
Q504	9A09964600	TR, 2SC1740SR
Q505	9A09966000	TR, KRA107M
Q506	9A09966100	TR, KRC107M
Q507	9A09965600	TR, KRC107S (NH)
Q508	9A09965200	TR, KRA107S (PH)
Q509	9A09965500	TR, KRC231S (NW)
Q510	9A09965600	TR, KRC107S (NH)
Q511	9A09965600	TR, KRC107S (NH)
Q512	9A09965600	TR, KRC107S (NH)
Q513	9A09965600	TR, KRC107S (NH)
Q514	9A09965200	TR, KRA107S (PH)
Q515	9A09965500	TR, KRC231S (NW)
Q516	9A09965200	TR, KRA107S (PH)
Q517	9A09965500	TR, KRC231S (NW)
Q518	9A09965200	TR, KRA107S (PH)
Q519	9A09965500	TR, KRC231S (NW)
Q520	9A09965200	TR, KRA107S (PH)
Q521	9A09965500	TR, KRC231S (NW)
Q522	9A09965500	TR, KRC231S (NW)
Q523	9A09965700	TR, KTC2875B (MB)
Q524	9A09965900	FET, 2SK117Y (TYPE2)
Q525	9A09965900	FET, 2SK117Y (TYPE2)
Q526	9A09965900	FET, 2SK117Y (TYPE2)

MAIN PCB ASSY [UK]

REF. NO.	PARTS NO.	DESCRIPTION
R417	△ 9A09949000	R, CEMENT, 0.1-J 5W
R418	△ 9A09949000	R, CEMENT, 0.1-J 5W
R420	△ 9A09948700	R, METAL, 390-J 1W
R421	△ 9A09948700	R, METAL, 390-J 1W
R427	△ 9A09948300	R, METAL, 1.5K-J 1W
R440	△ 9A09948300	R, METAL, 1.5K-J 1W
R441	△ 9A09948100	R, METAL, 10-J 1W
R442	△ 9A09948100	R, METAL, 10-J 1W
R443	△ 9A09948100	R, METAL, 10-J 1W
R444	△ 9A09948200	R, METAL, 10 OHM 1W
R445	△ 9A09948100	R, METAL, 10-J 1W
R446	△ 9A09948100	R, METAL, 10-J 1W
R447	△ 9A09948100	R, METAL, 10-J 1W
R448	△ 9A09947900	R, METAL, 0.22-J 1W
R449	△ 9A09947900	R, METAL, 0.22-J 1W
R450	△ 9A09947900	R, METAL, 0.22-J 1W
R451	△ 9A09947900	R, METAL, 0.22-J 1W
R544	△ 9A09948500	R, METAL, 220-J 1W
R547	△ 9A09948500	R, METAL, 220-J 1W
RLY401	9A09961700	RELAY, G5PA-28 24V 5A
ZD501	9A09967000	D, ZENER, MTZJ12B
ZD502	9A09966800	D, ZENER, MTZJ6.8B
ZD503	9A09966800	D, ZENER, MTZJ6.8B

MAIN PCB ASSY [K]

REF. NO.	PARTS NO.	DESCRIPTION
	9A09980900	MAIN PCB ASSY
	9A09974400	HEAT SINK
	9A09974500	HEAT SINK
	9A09975100	SHIELD, PLATE
C414	△ 9A09957700	CE, 6800UF-M/63V
C415	△ 9A09957700	CE, 6800UF-M/63V
C426	△ 9A09957200	CE, 2200UF-M/35V
C428	△ 9A09957200	CE, 2200UF-M/35V
C429	△ 9A09957600	CE, 4700UF-M/25V
CN411	9A09969400	CN, WAFER, G1L-S-2P-S2T2-EF
CN412	9A09969400	CN, WAFER, G1L-S-2P-S2T2-EF
CP401	9A09970800	CN, WAFER, 5267-10A 10P
CP402	9A09970700	CN, WAFER, 5267-09A 9P
CP403	9A09970500	CN, WAFER, 5267-04A 4P
CP404	9A09980300	CN, WAFER, 35328-0310
CP405	9A09970600	CN, WAFER, 5267-06A 6P
CP501	9A09980200	CN, WAFER, 35336-1310 13P
CP507	9A09969600	CN, WAFER, G1L-S-3P-S2T2-EF
CP508	9A09969400	CN, WAFER, G1L-S-2P-S2T2-EF
D400	9A09966200	DIODE, 1SS133T-72
D401	9A09966700	D, ZENER, MTZJ5.1B
D402	9A09966200	DIODE, 1SS133T-72
D403	9A09966200	DIODE, 1SS133T-72
D404	9A09966200	DIODE, 1SS133T-72
D405	9A09966200	DIODE, 1SS133T-72

MAIN PCB ASSY [K]

REF. NO.	PARTS NO.	DESCRIPTION
D406	9A09966200	DIODE, 1SS133T-72
D407	9A09966200	DIODE, 1SS133T-72
D408	△ 9A09966300	DIODE, IN4007
D409	△ 9A09966300	DIODE, IN4007
D410	△ 9A09966300	DIODE, IN4007
D411	△ 9A09966300	DIODE, IN4007
D412	△ 9A09966300	DIODE, IN4007
D414	△ 9A09966300	DIODE, IN4007
D418	△ 9A09966500	D, BRIDGE, KBPC604
D419	△ 9A09966500	D, BRIDGE, KBPC604
D501	9A09966200	DIODE, 1SS133T-72
D502	9A09966200	DIODE, 1SS133T-72
D505	9A09966200	DIODE, 1SS133T-72
D510	9A09966200	DIODE, 1SS133T-72
D511	9A09966200	DIODE, 1SS133T-72
D512	9A09966200	DIODE, 1SS133T-72
D513	9A09966200	DIODE, 1SS133T-72
D514	9A09966200	DIODE, 1SS133T-72
D515	9A09966200	DIODE, 1SS133T-72
D516	9A09966200	DIODE, 1SS133T-72
D517	9A09966200	DIODE, 1SS133T-72
D518	9A09966200	DIODE, 1SS133T-72
D519	9A09966200	DIODE, 1SS133T-72
D520	9A09966200	DIODE, 1SS133T-72
D521	9A09966200	DIODE, 1SS133T-72
D530	9A09966200	DIODE, 1SS133T-72
D531	9A09966200	DIODE, 1SS133T-72
D532	9A09966200	DIODE, 1SS133T-72
FPC505	9A09971000	CN.FPC,SCB 1125-00 25P ST
GND401	9A09975400	TERMINAL, GND PLATE
GND403	9A09975400	TERMINAL, GND PLATE
GND404	9A09975400	TERMINAL, GND PLATE
IC401	△ 9A09963600	IC, MC7815CT
IC402	△ 9A09963700	IC, KIA7915PI
IC403	△ 9A09963400	IC, MC7805CT
IC501	9A09962800	IC, M61516FP
IC502	9A09964000	IC, LA7952
IC503	9A09963000	IC, BA4558F-E2
IC504	9A09963000	IC, BA4558F-E2
IC505	9A09963000	IC, BA4558F-E2
IC506	9A09963000	IC, BA4558F-E2
JACK410	9A09961200	TERMINAL, SPK 4P, SH0410379P
JACK411	9A09961400	TERMINAL, SPK 8P, SH0810369P
JACK501	9A09960600	TERMINAL, 4PIN, JK040045YN
JACK502	9A09960500	TERMINAL, 4PIN, JK0400450N
JACK503	9A09960700	TERMINAL, 6PIN, JK060046CN
JACK504	9A09961100	TERMINAL, RCA, JB120154MN
Q401	9A09964900	TR, KTC3200BL
Q402	9A09964500	TR, KTA1268BL
Q403	9A09964400	TR, KTA1266Y
Q404	9A09964400	TR, KTA1266Y
Q405	9A09964200	TR, KSA992F
Q406	9A09964600	TR, 2SC1740SR
Q407	9A09964600	TR, 2SC1740SR
Q408	9A09964600	TR, 2SC1740SR

MAIN PCB ASSY [K]

REF. NO.	PARTS NO.	DESCRIPTION
Q409	9A09964600	TR, 2SC1740SR
Q410	9A09964600	TR, 2SC1740SR
Q411	9A09964600	TR, 2SC1740SR
Q412	9A09966100	TR, KRC107M
Q501	9A09966100	TR, KRC107M
Q502	9A09966100	TR, KRC107M
Q503	9A09964600	TR, 2SC1740SR
Q504	9A09964600	TR, 2SC1740SR
Q505	9A09966000	TR, KRA107M
Q506	9A09966100	TR, KRC107M
Q507	9A09965600	TR, KRC107S (NH)
Q508	9A09965200	TR, KRA107S (PH)
Q509	9A09965500	TR, KRC231S (NW)
Q510	9A09965600	TR, KRC107S (NH)
Q511	9A09965600	TR, KRC107S (NH)
Q512	9A09965600	TR, KRC107S (NH)
Q513	9A09965600	TR, KRC107S (NH)
Q514	9A09965200	TR, KRA107S (PH)
Q515	9A09965500	TR, KRC231S (NW)
Q516	9A09965200	TR, KRA107S (PH)
Q517	9A09965500	TR, KRC231S (NW)
Q518	9A09965200	TR, KRA107S (PH)
Q519	9A09965500	TR, KRC231S (NW)
Q520	9A09965200	TR, KRA107S (PH)
Q521	9A09965500	TR, KRC231S (NW)
Q522	9A09965500	TR, KRC231S (NW)
Q523	9A09965700	TR, KTC2875B (MB)
Q524	9A09965900	FET, 2SK117Y (TYPE2)
Q525	9A09965900	FET, 2SK117Y (TYPE2)
Q526	9A09965900	FET, 2SK117Y (TYPE2)
R417	△ 9A09949000	R, CEMENT, 0.1-J 5W
R418	△ 9A09949000	R, CEMENT, 0.1-J 5W
R420	△ 9A09948700	R, METAL, 390-J 1W
R421	△ 9A09948700	R, METAL, 390-J 1W
R427	△ 9A09948300	R, METAL, 1.5K-J 1W
R440	△ 9A09948300	R, METAL, 1.5K-J 1W
R441	△ 9A09948100	R, METAL, 10-J 1W
R442	△ 9A09948100	R, METAL, 10-J 1W
R443	△ 9A09948100	R, METAL, 10-J 1W
R444	△ 9A09948200	R, METAL, 10 OHM 1W
R445	△ 9A09948100	R, METAL, 10-J 1W
R446	△ 9A09948100	R, METAL, 10-J 1W
R447	△ 9A09948100	R, METAL, 10-J 1W
R448	△ 9A09947900	R, METAL, 0.22-J 1W
R449	△ 9A09947900	R, METAL, 0.22-J 1W
R450	△ 9A09947900	R, METAL, 0.22-J 1W
R451	△ 9A09947900	R, METAL, 0.22-J 1W
R544	△ 9A09948500	R, METAL, 220-J 1W
R547	△ 9A09948500	R, METAL, 220-J 1W
RLY401	9A09961700	RELAY, G5PA-28 24V 5A
ZD501	9A09967000	D, ZENER, MTZJ12B
ZD502	9A09966800	D, ZENER, MTZJ6.8B
ZD503	9A09966800	D, ZENER, MTZJ6.8B

AMP PCB ASSY [US,C]

REF. NO.	PARTS NO.	DESCRIPTION
	9A09982800	AMP PCB ASSY
CP201	9A09970300	CN, WAFER, G1L-S-12P-S2T2-EF
D202C	9A09966200	DIODE, 1SS133T-72
D202L	9A09966200	DIODE, 1SS133T-72
D202R	9A09966200	DIODE, 1SS133T-72
D202SC	9A09966200	DIODE, 1SS133T-72
D202SL	9A09966200	DIODE, 1SS133T-72
D202SR	9A09966200	DIODE, 1SS133T-72
D203C	9A09966200	DIODE, 1SS133T-72
D203L	9A09966200	DIODE, 1SS133T-72
D203R	9A09966200	DIODE, 1SS133T-72
D203SC	9A09966200	DIODE, 1SS133T-72
D203SL	9A09966200	DIODE, 1SS133T-72
D203SR	9A09966200	DIODE, 1SS133T-72
L201C	9A09958300	COIL, INDUCTOR, J9000031
L201L	9A09958300	COIL, INDUCTOR, J9000031
L201R	9A09958300	COIL, INDUCTOR, J9000031
L201SC	9A09958300	COIL, INDUCTOR, J9000031
L201SL	9A09958300	COIL, INDUCTOR, J9000031
L201SR	9A09958300	COIL, INDUCTOR, J9000031
Q201C	9A09964200	TR, KSA992F
Q201L	9A09964200	TR, KSA992F
Q201R	9A09964200	TR, KSA992F
Q201SC	9A09964200	TR, KSA992F
Q201SL	9A09964200	TR, KSA992F
Q201SR	9A09964200	TR, KSA992F
Q202C	9A09964200	TR, KSA992F
Q202L	9A09964200	TR, KSA992F
Q202R	9A09964200	TR, KSA992F
Q202SC	9A09964200	TR, KSA992F
Q202SL	9A09964200	TR, KSA992F
Q202SR	9A09964200	TR, KSA992F
Q203C	9A09964200	TR, KSA992F
Q203L	9A09964200	TR, KSA992F
Q203R	9A09964200	TR, KSA992F
Q203SC	9A09964200	TR, KSA992F
Q203SL	9A09964200	TR, KSA992F
Q203SR	9A09964200	TR, KSA992F
Q204C	9A09964200	TR, KSA992F
Q204L	9A09964200	TR, KSA992F
Q204R	9A09964200	TR, KSA992F
Q204SC	9A09964200	TR, KSA992F
Q204SL	9A09964200	TR, KSA992F
Q204SR	9A09964200	TR, KSA992F
Q205C	9A09964700	TR, KSC1845F
Q205L	9A09964700	TR, KSC1845F
Q205R	9A09964700	TR, KSC1845F
Q205SC	9A09964700	TR, KSC1845F
Q205SL	9A09964700	TR, KSC1845F
Q205SR	9A09964700	TR, KSC1845F
Q206C	9A09964700	TR, KSC1845F
Q206L	9A09964700	TR, KSC1845F
Q206R	9A09964700	TR, KSC1845F
Q206SC	9A09964700	TR, KSC1845F
Q206SL	9A09964700	TR, KSC1845F

AMP PCB ASSY [US,C]

REF. NO.	PARTS NO.	DESCRIPTION
Q206SR	9A09964700	TR, KSC1845F
Q207C	9A09964200	TR, KSA992F
Q207L	9A09964200	TR, KSA992F
Q207R	9A09964200	TR, KSA992F
Q207SC	9A09964200	TR, KSA992F
Q207SL	9A09964200	TR, KSA992F
Q207SR	9A09964200	TR, KSA992F
Q208C	9A09964300	TR, KTA1024Y
Q208L	9A09964300	TR, KTA1024Y
Q208R	9A09964300	TR, KTA1024Y
Q208SC	9A09964300	TR, KTA1024Y
Q208SL	9A09964300	TR, KTA1024Y
Q208SR	9A09964300	TR, KTA1024Y
Q209C	9A09965000	TR, KTC3206Y
Q209L	9A09965000	TR, KTC3206Y
Q209R	9A09965000	TR, KTC3206Y
Q209SC	9A09965000	TR, KTC3206Y
Q209SL	9A09965000	TR, KTC3206Y
Q209SR	9A09965000	TR, KTC3206Y
Q215C	9A09964700	TR, KSC1845F
Q215L	9A09964700	TR, KSC1845F
Q215R	9A09964700	TR, KSC1845F
Q215SC	9A09964700	TR, KSC1845F
Q215SL	9A09964700	TR, KSC1845F
Q215SR	9A09964700	TR, KSC1845F
R237C	△ 9A09948200	R, METAL, 10 OHM 1W
R237SC	△ 9A09948200	R, METAL, 10 OHM 1W

AMP PCB ASSY [E]

REF. NO.	PARTS NO.	DESCRIPTION
	9A09977500	AMP PCB ASSY
CP201	9A09970300	CN, WAFER, G1L-S-12P-S2T2-EF
D202C	9A09966200	DIODE, 1SS133T-72
D202L	9A09966200	DIODE, 1SS133T-72
D202R	9A09966200	DIODE, 1SS133T-72
D202SC	9A09966200	DIODE, 1SS133T-72
D202SL	9A09966200	DIODE, 1SS133T-72
D202SR	9A09966200	DIODE, 1SS133T-72
D203C	9A09966200	DIODE, 1SS133T-72
D203L	9A09966200	DIODE, 1SS133T-72
D203R	9A09966200	DIODE, 1SS133T-72
D203SC	9A09966200	DIODE, 1SS133T-72
D203SL	9A09966200	DIODE, 1SS133T-72
D203SR	9A09966200	DIODE, 1SS133T-72
L201C	9A09958300	COIL, INDUCTOR, J9000031
L201L	9A09958300	COIL, INDUCTOR, J9000031
L201R	9A09958300	COIL, INDUCTOR, J9000031
L201SC	9A09958300	COIL, INDUCTOR, J9000031
L201SL	9A09958300	COIL, INDUCTOR, J9000031
L201SR	9A09958300	COIL, INDUCTOR, J9000031

AMP PCB ASSY [E]

REF. NO.	PARTS NO.	DESCRIPTION
Q201C	9A09964200	TR, KSA992F
Q201L	9A09964200	TR, KSA992F
Q201R	9A09964200	TR, KSA992F
Q201SC	9A09964200	TR, KSA992F
Q201SL	9A09964200	TR, KSA992F
Q201SR	9A09964200	TR, KSA992F
Q202C	9A09964200	TR, KSA992F
Q202L	9A09964200	TR, KSA992F
Q202R	9A09964200	TR, KSA992F
Q202SC	9A09964200	TR, KSA992F
Q202SL	9A09964200	TR, KSA992F
Q202SR	9A09964200	TR, KSA992F
Q203C	9A09964200	TR, KSA992F
Q203L	9A09964200	TR, KSA992F
Q203R	9A09964200	TR, KSA992F
Q203SC	9A09964200	TR, KSA992F
Q203SL	9A09964200	TR, KSA992F
Q203SR	9A09964200	TR, KSA992F
Q204C	9A09964200	TR, KSA992F
Q204L	9A09964200	TR, KSA992F
Q204R	9A09964200	TR, KSA992F
Q204SC	9A09964200	TR, KSA992F
Q204SL	9A09964200	TR, KSA992F
Q204SR	9A09964200	TR, KSA992F
Q205C	9A09964700	TR, KSC1845F
Q205L	9A09964700	TR, KSC1845F
Q205R	9A09964700	TR, KSC1845F
Q205SC	9A09964700	TR, KSC1845F
Q205SL	9A09964700	TR, KSC1845F
Q205SR	9A09964700	TR, KSC1845F
Q206C	9A09964700	TR, KSC1845F
Q206L	9A09964700	TR, KSC1845F
Q206R	9A09964700	TR, KSC1845F
Q206SC	9A09964700	TR, KSC1845F
Q206SL	9A09964700	TR, KSC1845F
Q206SR	9A09964700	TR, KSC1845F
Q207C	9A09964200	TR, KSA992F
Q207L	9A09964200	TR, KSA992F
Q207R	9A09964200	TR, KSA992F
Q207SC	9A09964200	TR, KSA992F
Q207SL	9A09964200	TR, KSA992F
Q207SR	9A09964200	TR, KSA992F
Q208C	9A09964300	TR, KTA1024Y
Q208L	9A09964300	TR, KTA1024Y
Q208R	9A09964300	TR, KTA1024Y
Q208SC	9A09964300	TR, KTA1024Y
Q208SL	9A09964300	TR, KTA1024Y
Q208SR	9A09964300	TR, KTA1024Y
Q209C	9A09965000	TR, KTC3206Y
Q209L	9A09965000	TR, KTC3206Y
Q209R	9A09965000	TR, KTC3206Y
Q209SC	9A09965000	TR, KTC3206Y
Q209SL	9A09965000	TR, KTC3206Y
Q209SR	9A09965000	TR, KTC3206Y
Q215C	9A09964700	TR, KSC1845F

AMP PCB ASSY [E]

REF. NO.	PARTS NO.	DESCRIPTION
Q215L	9A09964700	TR, KSC1845F
Q215R	9A09964700	TR, KSC1845F
Q215SC	9A09964700	TR, KSC1845F
Q215SL	9A09964700	TR, KSC1845F
Q215SR	9A09964700	TR, KSC1845F
R237C	△ 9A09948200	R, METAL, 10 OHM 1W
R237SC	△ 9A09948200	R, METAL, 10 OHM 1W

AMP PCB ASSY [UK]

REF. NO.	PARTS NO.	DESCRIPTION
CP201	9A09984100	AMP PCB ASSY
D202C	9A09970300	CN, WAFER, GIL-S-12P-S2T2-EF
D202L	9A09966200	DIODE, 1SS133T-72
D202R	9A09966200	DIODE, 1SS133T-72
D202SC	9A09966200	DIODE, 1SS133T-72
D202SL	9A09966200	DIODE, 1SS133T-72
D202SR	9A09966200	DIODE, 1SS133T-72
D203C	9A09966200	DIODE, 1SS133T-72
D203L	9A09966200	DIODE, 1SS133T-72
D203R	9A09966200	DIODE, 1SS133T-72
D203SC	9A09966200	DIODE, 1SS133T-72
D203SL	9A09966200	DIODE, 1SS133T-72
D203SR	9A09966200	DIODE, 1SS133T-72
L201C	9A09958300	COIL, INDUCTOR, J9000031
L201L	9A09958300	COIL, INDUCTOR, J9000031
L201R	9A09958300	COIL, INDUCTOR, J9000031
L201SC	9A09958300	COIL, INDUCTOR, J9000031
L201SL	9A09958300	COIL, INDUCTOR, J9000031
L201SR	9A09958300	COIL, INDUCTOR, J9000031
Q201C	9A09964200	TR, KSA992F
Q201L	9A09964200	TR, KSA992F
Q201R	9A09964200	TR, KSA992F
Q201SC	9A09964200	TR, KSA992F
Q201SL	9A09964200	TR, KSA992F
Q201SR	9A09964200	TR, KSA992F
Q202C	9A09964200	TR, KSA992F
Q202L	9A09964200	TR, KSA992F
Q202R	9A09964200	TR, KSA992F
Q202SC	9A09964200	TR, KSA992F
Q202SL	9A09964200	TR, KSA992F
Q202SR	9A09964200	TR, KSA992F
Q203C	9A09964200	TR, KSA992F
Q203L	9A09964200	TR, KSA992F
Q203R	9A09964200	TR, KSA992F
Q203SC	9A09964200	TR, KSA992F
Q203SL	9A09964200	TR, KSA992F
Q203SR	9A09964200	TR, KSA992F
Q204C	9A09964200	TR, KSA992F
Q204L	9A09964200	TR, KSA992F

AMP PCB ASSY [UK]

REF. NO.	PARTS NO.	DESCRIPTION
Q204R	9A09964200	TR, KSA992F
Q204SC	9A09964200	TR, KSA992F
Q204SL	9A09964200	TR, KSA992F
Q204SR	9A09964200	TR, KSA992F
Q205C	9A09964700	TR, KSC1845F
Q205L	9A09964700	TR, KSC1845F
Q205R	9A09964700	TR, KSC1845F
Q205SC	9A09964700	TR, KSC1845F
Q205SL	9A09964700	TR, KSC1845F
Q205SR	9A09964700	TR, KSC1845F
Q206C	9A09964700	TR, KSC1845F
Q206L	9A09964700	TR, KSC1845F
Q206R	9A09964700	TR, KSC1845F
Q206SC	9A09964700	TR, KSC1845F
Q206SL	9A09964700	TR, KSC1845F
Q206SR	9A09964700	TR, KSC1845F
Q207C	9A09964200	TR, KSA992F
Q207L	9A09964200	TR, KSA992F
Q207R	9A09964200	TR, KSA992F
Q207SC	9A09964200	TR, KSA992F
Q207SL	9A09964200	TR, KSA992F
Q207SR	9A09964200	TR, KSA992F
Q208C	9A09964300	TR, KTA1024Y
Q208L	9A09964300	TR, KTA1024Y
Q208R	9A09964300	TR, KTA1024Y
Q208SC	9A09964300	TR, KTA1024Y
Q208SL	9A09964300	TR, KTA1024Y
Q208SR	9A09964300	TR, KTA1024Y
Q209C	9A09965000	TR, KTC3206Y
Q209L	9A09965000	TR, KTC3206Y
Q209R	9A09965000	TR, KTC3206Y
Q209SC	9A09965000	TR, KTC3206Y
Q209SL	9A09965000	TR, KTC3206Y
Q209SR	9A09965000	TR, KTC3206Y
Q215C	9A09964700	TR, KSC1845F
Q215L	9A09964700	TR, KSC1845F
Q215R	9A09964700	TR, KSC1845F
Q215SC	9A09964700	TR, KSC1845F
Q215SL	9A09964700	TR, KSC1845F
Q215SR	9A09964700	TR, KSC1845F
R237C	△ 9A09948200	R, METAL, 10 OHM 1W
R237SC	△ 9A09948200	R, METAL, 10 OHM 1W

AMP PCB ASSY [K]

REF. NO.	PARTS NO.	DESCRIPTION
CP201	9A09981200	AMP PCB ASSY
D202C	9A09970300	CN, WAFER, G1L-S-12P-S2T2-EF
D202L	9A09966200	DIODE, 1SS133T-72
D202R	9A09966200	DIODE, 1SS133T-72

AMP PCB ASSY [K]

REF. NO.	PARTS NO.	DESCRIPTION
D202SC	9A09966200	DIODE, 1SS133T-72
D202SL	9A09966200	DIODE, 1SS133T-72
D202SR	9A09966200	DIODE, 1SS133T-72
D203C	9A09966200	DIODE, 1SS133T-72
D203L	9A09966200	DIODE, 1SS133T-72
D203R	9A09966200	DIODE, 1SS133T-72
D203SC	9A09966200	DIODE, 1SS133T-72
D203SL	9A09966200	DIODE, 1SS133T-72
D203SR	9A09966200	DIODE, 1SS133T-72
L201C	9A09958300	COIL, INDUCTOR, J9000031
L201L	9A09958300	COIL, INDUCTOR, J9000031
L201R	9A09958300	COIL, INDUCTOR, J9000031
L201SC	9A09958300	COIL, INDUCTOR, J9000031
L201SL	9A09958300	COIL, INDUCTOR, J9000031
L201SR	9A09958300	COIL, INDUCTOR, J9000031
Q201C	9A09964200	TR, KSA992F
Q201L	9A09964200	TR, KSA992F
Q201R	9A09964200	TR, KSA992F
Q201SC	9A09964200	TR, KSA992F
Q201SL	9A09964200	TR, KSA992F
Q201SR	9A09964200	TR, KSA992F
Q202C	9A09964200	TR, KSA992F
Q202L	9A09964200	TR, KSA992F
Q202R	9A09964200	TR, KSA992F
Q202SC	9A09964200	TR, KSA992F
Q202SL	9A09964200	TR, KSA992F
Q202SR	9A09964200	TR, KSA992F
Q203C	9A09964200	TR, KSA992F
Q203L	9A09964200	TR, KSA992F
Q203R	9A09964200	TR, KSA992F
Q203SC	9A09964200	TR, KSA992F
Q203SL	9A09964200	TR, KSA992F
Q203SR	9A09964200	TR, KSA992F
Q204C	9A09964200	TR, KSA992F
Q204L	9A09964200	TR, KSA992F
Q204R	9A09964200	TR, KSA992F
Q204SC	9A09964200	TR, KSA992F
Q204SL	9A09964200	TR, KSA992F
Q204SR	9A09964200	TR, KSA992F
Q205C	9A09964700	TR, KSC1845F
Q205L	9A09964700	TR, KSC1845F
Q205R	9A09964700	TR, KSC1845F
Q205SC	9A09964700	TR, KSC1845F
Q205SL	9A09964700	TR, KSC1845F
Q205SR	9A09964700	TR, KSC1845F
Q206C	9A09964700	TR, KSC1845F
Q206L	9A09964700	TR, KSC1845F
Q206R	9A09964700	TR, KSC1845F
Q206SC	9A09964700	TR, KSC1845F
Q206SL	9A09964700	TR, KSC1845F
Q206SR	9A09964700	TR, KSC1845F
Q207C	9A09964200	TR, KSA992F
Q207L	9A09964200	TR, KSA992F
Q207R	9A09964200	TR, KSA992F
Q207SC	9A09964200	TR, KSA992F

AMP PCB ASSY [K]

REF. NO.	PARTS NO.	DESCRIPTION
Q207SL	9A09964200	TR, KSA992F
Q207SR	9A09964200	TR, KSA992F
Q208C	9A09964300	TR, KTA1024Y
Q208L	9A09964300	TR, KTA1024Y
Q208R	9A09964300	TR, KTA1024Y
Q208SC	9A09964300	TR, KTA1024Y
Q208SL	9A09964300	TR, KTA1024Y
Q208SR	9A09964300	TR, KTA1024Y
Q209C	9A09965000	TR, KTC3206Y
Q209L	9A09965000	TR, KTC3206Y
Q209R	9A09965000	TR, KTC3206Y
Q209SC	9A09965000	TR, KTC3206Y
Q209SL	9A09965000	TR, KTC3206Y
Q209SR	9A09965000	TR, KTC3206Y
Q215C	9A09964700	TR, KSC1845F
Q215L	9A09964700	TR, KSC1845F
Q215R	9A09964700	TR, KSC1845F
Q215SC	9A09964700	TR, KSC1845F
Q215SL	9A09964700	TR, KSC1845F
Q215SR	9A09964700	TR, KSC1845F
R237C	△ 9A09948200	R, METAL, 10 OHM 1W
R237SC	△ 9A09948200	R, METAL, 10 OHM 1W

FRONT PCB ASSY [US,C]

REF. NO.	PARTS NO.	DESCRIPTION
	9A09982600	FRONT PCB ASSY
	9A09976000	HOLDER, FLT
	9A09959800	JACK, D6. 5, S-VIDE0
AR301	9A09949100	R, NET, 100KJX9
AR302	9A09979200	R, NET, 100KJX7
BKT301	9A09976200	PLATE, SHIELD
C314	9A09957800	C, HO. 047F-70UA/5. 5V
CP301	9A09971100	CN, FPC, 52492-2520 25P
D301	9A09966200	DIODE, 1SS133T-72
D302	9A09966200	DIODE, 1SS133T-72
D303	9A09966200	DIODE, 1SS133T-72
D304	9A09966200	DIODE, 1SS133T-72
D305	9A09966200	DIODE, 1SS133T-72
D306	9A09966200	DIODE, 1SS133T-72
D307	9A09966200	DIODE, 1SS133T-72
D308	9A09966200	DIODE, 1SS133T-72
D309	9A09966200	DIODE, 1SS133T-72
D310	9A09966200	DIODE, 1SS133T-72
D311	9A09966200	DIODE, 1SS133T-72
D312	9A09966200	DIODE, 1SS133T-72
D313	9A09966200	DIODE, 1SS133T-72
D314	9A09966200	DIODE, 1SS133T-72
D315	9A09966200	DIODE, 1SS133T-72
D316	9A09966200	DIODE, 1SS133T-72
D317	9A09966200	DIODE, 1SS133T-72

FRONT PCB ASSY [US,C]

REF. NO.	PARTS NO.	DESCRIPTION
FIP301	9A09967400	DISPLAY, FLT
IC301	9A09961800	IC, CXP82860-3930
JACK301	9A09960900	TERMINAL, JACK RCA 3P
L301	9A09957900	COIL, 10UH-Q40
LED301	9A09967300	LED, L-71130BC-C-TNB5 BLUE
LED302	9A09967200	LED, HL-30CNYUF2T YELLOW
LED303	9A09967200	LED, HL-30CNYUF2T YELLOW
LED304	9A09967300	LED, L-71130BC-C-TNB5 BLUE
Q301	9A09966100	TR, KRC107M
Q302	9A09966100	TR, KRC107M
Q304	9A09966100	TR, KRC107M
Q305	9A09966100	TR, KRC107M
Q306	9A09966100	TR, KRC107M
Q307	9A09966100	TR, KRC107M
Q308	9A09966000	TR, KRA107M
SEN301	9A09959100	MODULE, REMOCON, NJL64H380A
SW301A	9A09959500	SW, TACT, SKHV10920A
SW302A	9A09959500	SW, TACT, SKHV10920A
SW303	9A09959500	SW, TACT, SKHV10920A
SW304A	9A09959500	SW, TACT, SKHV10920A
SW305	9A09959500	SW, TACT, SKHV10920A
SW306	9A09959500	SW, TACT, SKHV10920A
SW309	9A09959500	SW, TACT, SKHV10920A
SW315	9A09959500	SW, TACT, SKHV10920A
SW316	9A09959500	SW, TACT, SKHV10920A
SW317	9A09959500	SW, TACT, SKHV10920A
SW318A	9A09959500	SW, TACT, SKHV10920A
SW319	9A09959500	SW, TACT, SKHV10920A
SW320	9A09959500	SW, TACT, SKHV10920A
SW321	9A09959500	SW, TACT, SKHV10920A
SW322	9A09959500	SW, TACT, SKHV10920A
SW324	9A09959500	SW, TACT, SKHV10920A
SW325	9A09959500	SW, TACT, SKHV10920A
SW326	9A09959500	SW, TACT, SKHV10920A
SW327	9A09959500	SW, TACT, SKHV10920A
SW328	9A09959500	SW, TACT, SKHV10920A
SW329	9A09959500	SW, TACT, SKHV10920A
VOL301	9A09959400	SW, ENCODER, EC16B24304
XTAL301	9A09958900	RESONATOR, 10. 000MHZ

FRONT PCB ASSY [E]

REF. NO.	PARTS NO.	DESCRIPTION
	9A09977200	FRONT PCB ASSY
	9A09976000	HOLDER, FLT
	9A09959800	JACK, D6. 5, S-VIDE0
AR301	9A09949100	R, NET, 100KJX9
AR302	9A09979200	R, NET, 100KJX7
BKT301	9A09976200	PLATE, SHIELD
C314	9A09957800	C, HO. 047F-70UA/5. 5V
CP301	9A09971100	CN, FPC, 52492-2520 25P
D301	9A09966200	DIODE, 1SS133T-72
D302	9A09966200	DIODE, 1SS133T-72

FRONT PCB ASSY [E]

REF. NO.	PARTS NO.	DESCRIPTION
D303	9A09966200	DIODE, 1SS133T-72
D304	9A09966200	DIODE, 1SS133T-72
D305	9A09966200	DIODE, 1SS133T-72
D306	9A09966200	DIODE, 1SS133T-72
D307	9A09966200	DIODE, 1SS133T-72
D308	9A09966200	DIODE, 1SS133T-72
D309	9A09966200	DIODE, 1SS133T-72
D310	9A09966200	DIODE, 1SS133T-72
D311	9A09966200	DIODE, 1SS133T-72
D312	9A09966200	DIODE, 1SS133T-72
D313	9A09966200	DIODE, 1SS133T-72
D314	9A09966200	DIODE, 1SS133T-72
D315	9A09966200	DIODE, 1SS133T-72
D316	9A09966200	DIODE, 1SS133T-72
D317	9A09966200	DIODE, 1SS133T-72
FIP301	9A09967400	DISPLAY, FLT
IC301	9A09961800	IC, CXP82860-3930
IC302	9A09963100	IC, BU1924F
JACK301	9A09960900	TERMINAL, JACK RCA 3P
L301	9A09957900	COIL, 10UH-Q40
LED301	9A09967300	LED, L-7113QBC-C-TNB5 BLUE
LED302	9A09967200	LED, HL-30CNYUF2T YELLOW
LED303	9A09967200	LED, HL-30CNYUF2T YELLOW
LED304	9A09967300	LED, L-7113QBC-C-TNB5 BLUE
Q301	9A09966100	TR, KRC107M
Q302	9A09966100	TR, KRC107M
Q304	9A09966100	TR, KRC107M
Q305	9A09966100	TR, KRC107M
Q306	9A09966100	TR, KRC107M
Q307	9A09966100	TR, KRC107M
Q308	9A09966000	TR, KRA107M
SEN301	9A09959100	MODULE, REMOCON, NJL64H380A
SW301	9A09959500	SW, TACT, SKHV10920A
SW302	9A09959500	SW, TACT, SKHV10920A
SW303	9A09959500	SW, TACT, SKHV10920A
SW304	9A09959500	SW, TACT, SKHV10920A
SW305	9A09959500	SW, TACT, SKHV10920A
SW306	9A09959500	SW, TACT, SKHV10920A
SW309	9A09959500	SW, TACT, SKHV10920A
SW310	9A09959500	SW, TACT, SKHV10920A
SW311	9A09959500	SW, TACT, SKHV10920A
SW312	9A09959500	SW, TACT, SKHV10920A
SW313	9A09959500	SW, TACT, SKHV10920A
SW314	9A09959500	SW, TACT, SKHV10920A
SW315	9A09959500	SW, TACT, SKHV10920A
SW316	9A09959500	SW, TACT, SKHV10920A
SW317	9A09959500	SW, TACT, SKHV10920A
SW318	9A09959500	SW, TACT, SKHV10920A
SW319	9A09959500	SW, TACT, SKHV10920A
SW320	9A09959500	SW, TACT, SKHV10920A
SW321	9A09959500	SW, TACT, SKHV10920A
SW322	9A09959500	SW, TACT, SKHV10920A
SW324	9A09959500	SW, TACT, SKHV10920A
SW325	9A09959500	SW, TACT, SKHV10920A
SW326	9A09959500	SW, TACT, SKHV10920A

FRONT PCB ASSY [E]

REF. NO.	PARTS NO.	DESCRIPTION
SW327	9A09959500	SW, TACT, SKHV10920A
SW328	9A09959500	SW, TACT, SKHV10920A
SW329	9A09959500	SW, TACT, SKHV10920A
VOL301	9A09959400	SW, ENCODER, EC16B24304
XTAL301	9A09958900	RESONATOR, 10.000MHZ
XTAL302	9A09958800	CRYSTAL, 4.332MHZ 30PPM
ZD301	9A09966700	D, ZENER, MTZJ5.1B

FRONT PCB ASSY [UK]

REF. NO.	PARTS NO.	DESCRIPTION
	9A09983900	FRONT PCB ASSY
	9A09976000	HOLDER, FLT
	9A09959800	JACK, D6.5, S-VVIDEO
AR301	9A09949100	R, NET, 100KJX9
AR302	9A09979200	R, NET, 100KJX7
BKT301	9A09976200	PLATE, SHIELD
C314	9A09957800	C, HO. 047F-70UA/5.5V
CP301	9A09971100	CN. FPC, 52492-2520 25P
D301	9A09966200	DIODE, 1SS133T-72
D302	9A09966200	DIODE, 1SS133T-72
D303	9A09966200	DIODE, 1SS133T-72
D304	9A09966200	DIODE, 1SS133T-72
D305	9A09966200	DIODE, 1SS133T-72
D306	9A09966200	DIODE, 1SS133T-72
D307	9A09966200	DIODE, 1SS133T-72
D308	9A09966200	DIODE, 1SS133T-72
D309	9A09966200	DIODE, 1SS133T-72
D310	9A09966200	DIODE, 1SS133T-72
D311	9A09966200	DIODE, 1SS133T-72
D312	9A09966200	DIODE, 1SS133T-72
D313	9A09966200	DIODE, 1SS133T-72
D314	9A09966200	DIODE, 1SS133T-72
D315	9A09966200	DIODE, 1SS133T-72
D316	9A09966200	DIODE, 1SS133T-72
D317	9A09966200	DIODE, 1SS133T-72
FIP301	9A09967400	DISPLAY, FLT
IC301	9A09961800	IC, CXP82860-3930
IC302	9A09963100	IC, BU1924F
JACK301	9A09960900	TERMINAL, JACK RCA 3P
L301	9A09957900	COIL, 10UH-Q40
LED301	9A09967300	LED, L-7113QBC-C-TNB5 BLUE
LED302	9A09967200	LED, HL-30CNYUF2T YELLOW
LED303	9A09967200	LED, HL-30CNYUF2T YELLOW
LED304	9A09967300	LED, L-7113QBC-C-TNB5 BLUE
Q301	9A09966100	TR, KRC107M
Q302	9A09966100	TR, KRC107M
Q304	9A09966100	TR, KRC107M
Q305	9A09966100	TR, KRC107M
Q306	9A09966100	TR, KRC107M
Q307	9A09966100	TR, KRC107M

FRONT PCB ASSY [UK]

REF. NO.	PARTS NO.	DESCRIPTION
Q308	9A09966000	TR, KRA107M
SEN301	9A09959100	MODULE, REMOCON, NJL64H380A
SW301	9A09959500	SW, TACT, SKHV10920A
SW302	9A09959500	SW, TACT, SKHV10920A
SW303	9A09959500	SW, TACT, SKHV10920A
SW304	9A09959500	SW, TACT, SKHV10920A
SW305	9A09959500	SW, TACT, SKHV10920A
SW306	9A09959500	SW, TACT, SKHV10920A
SW309	9A09959500	SW, TACT, SKHV10920A
SW310	9A09959500	SW, TACT, SKHV10920A
SW311	9A09959500	SW, TACT, SKHV10920A
SW312	9A09959500	SW, TACT, SKHV10920A
SW313	9A09959500	SW, TACT, SKHV10920A
SW314	9A09959500	SW, TACT, SKHV10920A
SW315	9A09959500	SW, TACT, SKHV10920A
SW316	9A09959500	SW, TACT, SKHV10920A
SW317	9A09959500	SW, TACT, SKHV10920A
SW318	9A09959500	SW, TACT, SKHV10920A
SW319	9A09959500	SW, TACT, SKHV10920A
SW320	9A09959500	SW, TACT, SKHV10920A
SW321	9A09959500	SW, TACT, SKHV10920A
SW322	9A09959500	SW, TACT, SKHV10920A
SW324	9A09959500	SW, TACT, SKHV10920A
SW325	9A09959500	SW, TACT, SKHV10920A
SW326	9A09959500	SW, TACT, SKHV10920A
SW327	9A09959500	SW, TACT, SKHV10920A
SW328	9A09959500	SW, TACT, SKHV10920A
SW329	9A09959500	SW, TACT, SKHV10920A
VOL301	9A09959400	SW, ENCODER, EC16B24304
XTAL301	9A09958900	RESONATOR, 10.000MHZ
XTAL302	9A09958800	CRYSTAL, 4.332MHZ 30PPM
ZD301	9A09966700	D, ZENER, MTZJ5.1B

FRONT PCB ASSY [K]

REF. NO.	PARTS NO.	DESCRIPTION
	9A09981000	FRONT PCB ASSY
	9A09976000	HOLDER, FLT
	9A09959800	JACK, D6.5, S-VIDE0
AR301	9A09949100	R, NET, 100KJX9
AR302	9A09979200	R, NET, 100KJX7
BKT301	9A09976200	PLATE, SHIELD
C314	9A09957800	C, HO.047F-70UA/5.5V
CP301	9A09971100	CN. FPC, 52492-2520 25P
D301	9A09966200	DIODE, 1SS133T-72
D302	9A09966200	DIODE, 1SS133T-72
D303	9A09966200	DIODE, 1SS133T-72
D304	9A09966200	DIODE, 1SS133T-72
D305	9A09966200	DIODE, 1SS133T-72
D306	9A09966200	DIODE, 1SS133T-72
D307	9A09966200	DIODE, 1SS133T-72
D308	9A09966200	DIODE, 1SS133T-72
D309	9A09966200	DIODE, 1SS133T-72

FRONT PCB ASSY [K]

REF. NO.	PARTS NO.	DESCRIPTION
D310	9A09966200	DIODE, 1SS133T-72
D311	9A09966200	DIODE, 1SS133T-72
D312	9A09966200	DIODE, 1SS133T-72
D313	9A09966200	DIODE, 1SS133T-72
D314	9A09966200	DIODE, 1SS133T-72
D315	9A09966200	DIODE, 1SS133T-72
D316	9A09966200	DIODE, 1SS133T-72
D317	9A09966200	DIODE, 1SS133T-72
FIP301	9A09967400	DISPLAY, FLT
IC301	9A09961800	IC, CXP82860-3930
JACK301	9A09960900	TERMINAL, JACK RCA 3P
L301	9A09957900	COIL, 10UH-040
LED301	9A09967300	LED, L-7113QBC-C-TNB5 BLUE
LED302	9A09967200	LED, HL-30CNYUF2T YELLOW
LED303	9A09967200	LED, HL-30CNYUF2T YELLOW
LED304	9A09967300	LED, L-7113QBC-C-TNB5 BLUE
Q301	9A09966100	TR, KRC107M
Q302	9A09966100	TR, KRC107M
Q304	9A09966100	TR, KRC107M
Q305	9A09966100	TR, KRC107M
Q306	9A09966100	TR, KRC107M
Q307	9A09966100	TR, KRC107M
Q308	9A09966000	TR, KRA107M
SEN301	9A09959100	MODULE, REMOCON, NJL64H380A
SW301A	9A09959500	SW, TACT, SKHV10920A
SW302A	9A09959500	SW, TACT, SKHV10920A
SW303	9A09959500	SW, TACT, SKHV10920A
SW304A	9A09959500	SW, TACT, SKHV10920A
SW305	9A09959500	SW, TACT, SKHV10920A
SW306	9A09959500	SW, TACT, SKHV10920A
SW309	9A09959500	SW, TACT, SKHV10920A
SW315	9A09959500	SW, TACT, SKHV10920A
SW316	9A09959500	SW, TACT, SKHV10920A
SW317	9A09959500	SW, TACT, SKHV10920A
SW318A	9A09959500	SW, TACT, SKHV10920A
SW319	9A09959500	SW, TACT, SKHV10920A
SW320	9A09959500	SW, TACT, SKHV10920A
SW321	9A09959500	SW, TACT, SKHV10920A
SW322	9A09959500	SW, TACT, SKHV10920A
SW324	9A09959500	SW, TACT, SKHV10920A
SW325	9A09959500	SW, TACT, SKHV10920A
SW326	9A09959500	SW, TACT, SKHV10920A
SW327	9A09959500	SW, TACT, SKHV10920A
SW328	9A09959500	SW, TACT, SKHV10920A
SW329	9A09959500	SW, TACT, SKHV10920A
VOL301	9A09959400	SW, ENCODER, EC16B24304
XTAL301	9A09958900	RESONATOR, 10.000MHZ

FUNCTION PCB ASSY

REF. NO.	PARTS NO.	DESCRIPTION
	9A09978400	FUNCTION PCB ASSY
MVOL302	9A09959300	SW, ENCODER, EC16B12204

DSP PCB ASSY [US,C]

REF. NO.	PARTS NO.	DESCRIPTION
	9A09982700	DSP PCB ASSY
CB701	9A09978700	BEAD, COIL, HB-1T2012-121JT
CB702	9A09978700	BEAD, COIL, HB-1T2012-121JT
CB703	9A09978700	BEAD, COIL, HB-1T2012-121JT
CB704	9A09978700	BEAD, COIL, HB-1T2012-121JT
CB705	9A09978700	BEAD, COIL, HB-1T2012-121JT
CB706	9A09978700	BEAD, COIL, HB-1T2012-121JT
CNT701	9A09970200	CN, WAFER, CNT GIL-10P-S2L2-EF
CNT702	9A09969900	CN, WAFER, GIL-S-6P-S2L2-EF
CNT703	9A09970100	CN, WAFER, GIL-09P-S2L2-EF
CNT704	9A09970400	CN, WAFER, GIL-14P-S2L2-EF
D701	9A09966400	DIODE, CHIP, 1N4148WS/BAV16WS
D702	9A09966400	DIODE, CHIP, 1N4148WS/BAV16WS
D704	9A09966400	DIODE, CHIP, 1N4148WS/BAV16WS
D705	9A09966400	DIODE, CHIP, 1N4148WS/BAV16WS
D706	9A09966400	DIODE, CHIP, 1N4148WS/BAV16WS
D707	9A09966400	DIODE, CHIP, 1N4148WS/BAV16WS
IC701	9A09961900	IC, 74VHCU04
IC702	9A09979800	IC, EEPROM, M27W201-80B6 2M
IC703	9A09962400	IC, MM74LCX574WMX
IC704	△ 9A09963300	IC, RC1117-3.3
IC705	9A09962400	IC, MM74LCX574WMX
IC706	9A09962000	IC, MM74LCX244WMX
IC707	9A09962500	IC, AK4112BVF-E2
IC710	9A09962600	IC, CS493263-CL
IC711	9A09962200	IC, MM74HC244WMX
IC712	9A09962100	IC, MM74HCT244WMX
IC713	9A09962900	IC, AK4628
IC714	△ 9A09963400	IC, MC7805CT
IC715	△ 9A09963200	IC, RC1117-2.5
IC716	9A09963000	IC, BA4558F-E2
IC717	9A09963000	IC, BA4558F-E2
IC718	9A09963000	IC, BA4558F-E2
IC719	9A09963000	IC, BA4558F-E2
IC720	9A09963000	IC, BA4558F-E2
IC721	9A09963000	IC, BA4558F-E2
JACK701	9A09958400	MODULE, GP1FA502RZ
JACK702	9A09958400	MODULE, GP1FA502RZ
JACK703	9A09958500	MODULE, GP1FA502TZ
JACK704	9A09960300	TERMINAL, 2PIN, JC020009VN
L700	9A09958200	COIL, 4.7UH-Q50
L701	9A09958200	COIL, 4.7UH-Q50
L702	9A09958200	COIL, 4.7UH-Q50
L703	9A09958000	COIL, 2.2UH-Q50
L704	9A09958000	COIL, 2.2UH-Q50
L705	9A09958200	COIL, 4.7UH-Q50
L707	9A09958000	COIL, 2.2UH-Q50
L709	9A09958200	COIL, 4.7UH-Q50
Q700	9A09964800	TR, KTC2874B
Q701	9A09964800	TR, KTC2874B
Q702	9A09964800	TR, KTC2874B
Q703	9A09964800	TR, KTC2874B
Q704	9A09964800	TR, KTC2874B
Q705	9A09964800	TR, KTC2874B
Q706	9A09964800	TR, KTC2874B

DSP PCB ASSY [US,C]

REF. NO.	PARTS NO.	DESCRIPTION
Q707	9A09965100	TR, KRA102S (PB)
Q708	9A09965400	TR, KRC102S (NB)
Q709	9A09965100	TR, KRA102S (PB)
Q710	9A09965400	TR, KRC102S (NB)
Q711	9A09965100	TR, KRA102S (PB)
Q712	9A09965600	TR, KRC107S (NH)
Q713FL	9A09965900	FET, 2SK117Y (TYPE2)
Q713FR	9A09965900	FET, 2SK117Y (TYPE2)
SOCKET	9A09960200	SOCKET, IC 32PIN
XTAL700	9A09958600	CRYSTAL, 12.288MHZ, HC-49S

DSP PCB ASSY [E]

REF. NO.	PARTS NO.	DESCRIPTION
	9A09977300	DSP PCB ASSY
CB701	9A09978700	BEAD, COIL, HB-1T2012-121JT
CB702	9A09978700	BEAD, COIL, HB-1T2012-121JT
CB703	9A09978700	BEAD, COIL, HB-1T2012-121JT
CB704	9A09978700	BEAD, COIL, HB-1T2012-121JT
CB705	9A09978700	BEAD, COIL, HB-1T2012-121JT
CB706	9A09978700	BEAD, COIL, HB-1T2012-121JT
CNT701	9A09970200	CN, WAFER, CNT GIL-10P-S2L2-EF
CNT702	9A09969900	CN, WAFER, GIL-S-6P-S2L2-EF
CNT703	9A09970100	CN, WAFER, CNT GIL-09P-S2L2-EF
CNT704	9A09970400	CN, WAFER, CNT GIL-14P-S2L2-EF
D701	9A09966400	DIODE, CHIP, 1N4148WS/BAV16WS
D702	9A09966400	DIODE, CHIP, 1N4148WS/BAV16WS
D704	9A09966400	DIODE, CHIP, 1N4148WS/BAV16WS
D705	9A09966400	DIODE, CHIP, 1N4148WS/BAV16WS
D706	9A09966400	DIODE, CHIP, 1N4148WS/BAV16WS
D707	9A09966400	DIODE, CHIP, 1N4148WS/BAV16WS
IC701	9A09961900	IC, 74VHCU04
IC702	9A09979800	IC, EEPROM, M27W201-80B6 2M
IC703	9A09962400	IC, MM74LCX574WMX
IC704	△ 9A09963300	IC, RC1117-3.3
IC705	9A09962400	IC, MM74LCX574WMX
IC706	9A09962000	IC, MM74LCX244WMX
IC707	9A09962500	IC, AK4112BVF-E2
IC710	9A09962600	IC, CS493263-CL
IC711	9A09962200	IC, MM74HC244WMX
IC712	9A09962100	IC, MM74HCT244WMX
IC713	9A09962900	IC, AK4628
IC714	△ 9A09963400	IC, MC7805CT
IC715	△ 9A09963200	IC, RC1117-2.5
IC716	9A09963000	IC, BA4558F-E2
IC717	9A09963000	IC, BA4558F-E2
IC718	9A09963000	IC, BA4558F-E2
IC719	9A09963000	IC, BA4558F-E2
IC720	9A09963000	IC, BA4558F-E2
IC721	9A09963000	IC, BA4558F-E2
JACK701	9A09958400	MODULE, GP1FA502RZ
JACK702	9A09958400	MODULE, GP1FA502RZ
JACK703	9A09958500	MODULE, GP1FA502TZ
JACK704	9A09960300	TERMINAL, 2PIN, JC020009VN
L700	9A09958200	COIL, 4.7UH-Q50
L701	9A09958200	COIL, 4.7UH-Q50
L702	9A09958200	COIL, 4.7UH-Q50
L703	9A09958000	COIL, 2.2UH-Q50
L704	9A09958000	COIL, 2.2UH-Q50
L705	9A09958200	COIL, 4.7UH-Q50
L707	9A09958000	COIL, 2.2UH-Q50
L709	9A09958200	COIL, 4.7UH-Q50
Q700	9A09964800	TR, KTC2874B
Q701	9A09964800	TR, KTC2874B
Q702	9A09964800	TR, KTC2874B
Q703	9A09964800	TR, KTC2874B
Q704	9A09964800	TR, KTC2874B
Q705	9A09964800	TR, KTC2874B
Q706	9A09964800	TR, KTC2874B

DSP PCB ASSY [E]

REF. NO.	PARTS NO.	DESCRIPTION
L700	9A09958200	COIL, 4. 7UH-Q50
L701	9A09958200	COIL, 4. 7UH-Q50
L702	9A09958200	COIL, 4. 7UH-Q50
L703	9A09958000	COIL, 2. 2UH-Q50
L704	9A09958000	COIL, 2. 2UH-Q50
L705	9A09958200	COIL, 4. 7UH-Q50
L707	9A09958000	COIL, 2. 2UH-Q50
L709	9A09958200	COIL, 4. 7UH-Q50
Q700	9A09964800	TR, KTC2874B
Q701	9A09964800	TR, KTC2874B
Q702	9A09964800	TR, KTC2874B
Q703	9A09964800	TR, KTC2874B
Q704	9A09964800	TR, KTC2874B
Q705	9A09964800	TR, KTC2874B
Q706	9A09964800	TR, KTC2874B
Q707	9A09965100	TR, KRA102S (PB)
Q708	9A09965400	TR, KRC102S (NB)
Q709	9A09965100	TR, KRA102S (PB)
Q710	9A09965400	TR, KRC102S (NB)
Q711	9A09965100	TR, KRA102S (PB)
Q712	9A09965600	TR, KRC107S (NH)
Q713FL	9A09965900	FET, 2SK117Y (TYPE2)
Q713FR	9A09965900	FET, 2SK117Y (TYPE2)
SOCKET	9A09960200	SOCKET, IC 32PIN
XTAL700	9A09958600	CRYSTAL, 12. 288MHZ, HC-49S

DSP PCB ASSY [UK]

REF. NO.	PARTS NO.	DESCRIPTION
CB701	9A09984000	DSP PCB ASSY
CB702	9A09978700	BEAD, COIL, HB-1T2012-121JT
CB703	9A09978700	BEAD, COIL, HB-1T2012-121JT
CB704	9A09978700	BEAD, COIL, HB-1T2012-121JT
CB705	9A09978700	BEAD, COIL, HB-1T2012-121JT
CB706	9A09978700	BEAD, COIL, HB-1T2012-121JT
CNT701	9A09970200	CN, WAFER, CNT GIL-10P-S2L2-EF
CNT702	9A09969900	CN, WAFER, GIL-S-6P-S2L2-EF
CNT703	9A09970100	CN, WAFER, CNT GIL-09P-S2L2-EF
CNT704	9A09970400	CN, WAFER, CNT GIL-14P-S2L2-EF
D701	9A09966400	DIODE, CHIP, 1N4148WS/BAV16WS
D702	9A09966400	DIODE, CHIP, 1N4148WS/BAV16WS
D704	9A09966400	DIODE, CHIP, 1N4148WS/BAV16WS
D705	9A09966400	DIODE, CHIP, 1N4148WS/BAV16WS
D706	9A09966400	DIODE, CHIP, 1N4148WS/BAV16WS
D707	9A09966400	DIODE, CHIP, 1N4148WS/BAV16WS
IC701	9A09961900	IC, 74VHCU04
IC702	9A09979800	IC, EEPROM, M27W201-80B6 2M
IC703	9A09962400	IC, MM74LCX574WMX
IC704	△ 9A09963300	IC, RC1117-3. 3
IC705	9A09962400	IC, MM74LCX574WMX
IC706	9A09962000	IC, MM74LCX244WMX
IC707	9A09962500	IC, AK4112BVF-E2
IC710	9A09962600	IC, CS493263-CL

DSP PCB ASSY [UK]

REF. NO.	PARTS NO.	DESCRIPTION
IC711	9A09962200	IC, MM74HC244WMX
IC712	9A09962100	IC, MM74HCT244WMX
IC713	9A09962900	IC, AK4628
IC714	△ 9A09963400	IC, MC7805CT
IC715	△ 9A09963200	IC, RC1117-2. 5
IC716	9A09963000	IC, BA4558F-E2
IC717	9A09963000	IC, BA4558F-E2
IC718	9A09963000	IC, BA4558F-E2
IC719	9A09963000	IC, BA4558F-E2
IC720	9A09963000	IC, BA4558F-E2
IC721	9A09963000	IC, BA4558F-E2
JACK701	9A09958400	MODULE, GP1FA502RZ
JACK702	9A09958400	MODULE, GP1FA502RZ
JACK703	9A09958500	MODULE, GP1FA502TZ
JACK704	9A09960300	TERMINAL, 2PIN, JC020009VN
L700	9A09958200	COIL, 4. 7UH-Q50
L701	9A09958200	COIL, 4. 7UH-Q50
L702	9A09958200	COIL, 4. 7UH-Q50
L703	9A09958000	COIL, 2. 2UH-Q50
L704	9A09958000	COIL, 2. 2UH-Q50
L705	9A09958200	COIL, 4. 7UH-Q50
L707	9A09958000	COIL, 2. 2UH-Q50
L709	9A09958200	COIL, 4. 7UH-Q50
Q700	9A09964800	TR, KTC2874B
Q701	9A09964800	TR, KTC2874B
Q702	9A09964800	TR, KTC2874B
Q703	9A09964800	TR, KTC2874B
Q704	9A09964800	TR, KTC2874B
Q705	9A09964800	TR, KTC2874B
Q706	9A09964800	TR, KTC2874B
Q707	9A09965100	TR, KRA102S (PB)
Q708	9A09965400	TR, KRC102S (NB)
Q709	9A09965100	TR, KRA102S (PB)
Q710	9A09965400	TR, KRC102S (NB)
Q711	9A09965100	TR, KRA102S (PB)
Q712	9A09965600	TR, KRC107S (NH)
Q713FL	9A09965900	FET, 2SK117Y (TYPE2)
Q713FR	9A09965900	FET, 2SK117Y (TYPE2)
SOCKET	9A09960200	SOCKET, IC 32PIN
XTAL700	9A09958600	CRYSTAL, 12. 288MHZ, HC-49S

DSP PCB ASSY [K]

REF. NO.	PARTS NO.	DESCRIPTION
CB701	9A09981100	DSP PCB ASSY
CB702	9A09978700	BEAD, COIL, HB-1T2012-121JT
CB703	9A09978700	BEAD, COIL, HB-1T2012-121JT
CB704	9A09978700	BEAD, COIL, HB-1T2012-121JT
CB705	9A09978700	BEAD, COIL, HB-1T2012-121JT
CB706	9A09978700	BEAD, COIL, HB-1T2012-121JT
CNT701	9A09970200	CN, WAFER, CNT GIL-10P-S2L2-EF
CNT702	9A09969900	CN, WAFER, GIL-S-6P-S2L2-EF
CNT703	9A09970100	CN, WAFER, CNT GIL-09P-S2L2-EF

DSP PCB ASSY [K]

REF. NO.	PARTS NO.	DESCRIPTION
CNT704	9A09970400	CN, WAFER, CNT G1L-14P-S2L2-EF
D701	9A09966400	DIODE, CHIP, 1N4148WS/BAV16WS
D702	9A09966400	DIODE, CHIP, 1N4148WS/BAV16WS
D704	9A09966400	DIODE, CHIP, 1N4148WS/BAV16WS
D705	9A09966400	DIODE, CHIP, 1N4148WS/BAV16WS
D706	9A09966400	DIODE, CHIP, 1N4148WS/BAV16WS
D707	9A09966400	DIODE, CHIP, 1N4148WS/BAV16WS
IC701	9A09961900	IC, 74VHC04
IC702	9A09979800	IC, EEPROM, M27W201-80B6 2M
IC703	9A09962400	IC, MM74LCX574WMX
IC704	△ 9A09963300	IC, RC1117-3.3
IC705	9A09962400	IC, MM74LCX574WMX
IC706	9A09962000	IC, MM74LCX244WMX
IC707	9A09962500	IC, AK4112BVF-E2
IC710	9A09962600	IC, CS493263-CL
IC711	9A09962200	IC, MM74HC244WMX
IC712	9A09962100	IC, MM74HCT244WMX
IC713	9A09962900	IC, AK4628
IC714	△ 9A09963400	IC, MC7805CT
IC715	△ 9A09963200	IC, RC1117-2.5
IC716	9A09963000	IC, BA4558F-E2
IC717	9A09963000	IC, BA4558F-E2
IC718	9A09963000	IC, BA4558F-E2
IC719	9A09963000	IC, BA4558F-E2
IC720	9A09963000	IC, BA4558F-E2
IC721	9A09963000	IC, BA4558F-E2
JACK701	9A09958400	MODULE, GP1FA502RZ
JACK702	9A09958400	MODULE, GP1FA502RZ
JACK703	9A09958500	MODULE, GP1FA502TZ
JACK704	9A09960300	TERMINAL, 2PIN, JC020009VN
L700	9A09958200	COIL, 4.7UH-Q50
L701	9A09958200	COIL, 4.7UH-Q50
L702	9A09958200	COIL, 4.7UH-Q50
L703	9A09958000	COIL, 2.2UH-Q50
L704	9A09958000	COIL, 2.2UH-Q50
L705	9A09958200	COIL, 4.7UH-Q50
L707	9A09958000	COIL, 2.2UH-Q50
L709	9A09958200	COIL, 4.7UH-Q50
Q700	9A09964800	TR, KTC2874B
Q701	9A09964800	TR, KTC2874B
Q702	9A09964800	TR, KTC2874B
Q703	9A09964800	TR, KTC2874B
Q704	9A09964800	TR, KTC2874B
Q705	9A09964800	TR, KTC2874B
Q706	9A09964800	TR, KTC2874B
Q707	9A09965100	TR, KRA102S (PB)
Q708	9A09965400	TR, KRC102S (NB)
Q709	9A09965100	TR, KRA102S (PB)
Q710	9A09965400	TR, KRC102S (NB)
Q711	9A09965100	TR, KRA102S (PB)
Q712	9A09965600	TR, KRC107S (NH)
Q713FL	9A09965900	FET, 2SK117Y (TYPE2)
Q713FR	9A09965900	FET, 2SK117Y (TYPE2)
SOCKET	9A09960200	SOCKET, IC 32PIN
XTAL700	9A09958600	CRYSTAL, 12.288MHZ, HC-49S

S-VIDEO PCB ASSY

REF. NO.	PARTS NO.	DESCRIPTION
CB101	9A09977400	S-VIDEO PCB ASSY
CP101	9A09978700	BEAD, COIL, HB-1T2012-121JT
CP102	9A09969800	CN, WAFER, G1L-S-6P-S2T2-EF
CP104	9A09970100	CN, WAFER, G1L-09P-S2L2-EF
	9A09969600	CN, WAFER, G1L-S-3P-S2T2-EF
CST101	9A09979400	CRYSTAL, 14.31818MHZ, HC-49S
D101	9A09966400	DIODE, CHIP, 1N4148WS/BAV16WS
D102	9A09966400	DIODE, CHIP, 1N4148WS/BAV16WS
D103	9A09966400	DIODE, CHIP, 1N4148WS/BAV16WS
D104	9A09966400	DIODE, CHIP, 1N4148WS/BAV16WS
D105	9A09966400	DIODE, CHIP, 1N4148WS/BAV16WS
D106	9A09966400	DIODE, CHIP, 1N4148WS/BAV16WS
D107	9A09966400	DIODE, CHIP, 1N4148WS/BAV16WS
IC101	9A09964000	IC, LA7952
IC102	9A09964000	IC, LA7952
IC109	9A09962700	IC, BA7046
IC113	9A09963900	IC, M35013-001SP
IC114	9A09979900	IC, NJM2506
JACK101	9A09959900	JACK, DIN, S-VIDEO 2P
JACK102	9A09959900	JACK, DIN, S-VIDEO 2P
L102	9A09958100	COIL, 22UH-Q50
L103	9A09958100	COIL, 22UH-Q50
Q101	9A09965300	TR, KTA1504Y (ASY)
Q102	9A09965300	TR, KTA1504Y (ASY)
Q103	9A09965200	TR, KRA107S (PH)
Q104	9A09965200	TR, KRA107S (PH)
Q105	9A09965300	TR, KTA1504Y (ASY)
Q106	9A09965800	TR, KTC3875Y (ALY)
Q107	9A09965300	TR, KTA1504Y (ASY)
Q108	9A09965600	TR, KRC107S (NH)
Q109	9A09965600	TR, KRC107S (NH)
Q110	9A09965800	TR, KTC3875Y (ALY)
Q111	9A09965800	TR, KTC3875Y (ALY)
Q112	9A09965600	TR, KRC107S (NH)
Q113	9A09965800	TR, KTC3875Y (ALY)
Q114	9A09965800	TR, KTC3875Y (ALY)
Q115	9A09965600	TR, KRC107S (NH)
Q116	9A09965700	TR, KTC2875B (MB)
Q117	9A09965600	TR, KRC107S (NH)
Q118	9A09965700	TR, KTC2875B (MB)
Q119	9A09965600	TR, KRC107S (NH)
Q120	9A09965600	TR, KRC107S (NH)
Q121	9A09965700	TR, KTC2875B (MB)
R116	△ 9A09948600	R, METAL, 33 OHM 1W
ZD101	9A09967000	D, ZENER, MTZJ12B

COM-V PCB ASSY

REF. NO.	PARTS NO.	DESCRIPTION
	9A09977600	COM-V PCB ASSY
CP501	9A09969700	CN, WAFER, G1L-S-4P-S2T2-EF
CP502	9A09969400	CN, WAFER, G1L-S-2P-S2T2-EF
IC501	9A09962300	IC, MM74HC4053MX
IC502	9A09963800	IC, NJM2580M

COM-V PCB ASSY

REF. NO.	PARTS NO.	DESCRIPTION
JACK501	9A09960800	TERMINAL, 3PIN, JE030164CN
JACK502	9A09960800	TERMINAL, 3PIN, JE030164CN
JACK503	9A09960800	TERMINAL, 3PIN, JE030164CN
Q501	9A09966100	TR, KRC107M

POWER PCB ASSY [US,C]

REF. NO.	PARTS NO.	DESCRIPTION
	9A09983700	POWER PCB ASSY
C714	△ 9A09954700	CC, AC13F472MDOA
CP710	9A09970500	CN, WAFER, 5267-04A 4P
CP711	9A09970900	CN, WAFER, 35328-0210
CP712	9A09980400	CN, WAFER, YW396V (03AV)
CP713	9A09969400	CN, WAFER, G1L-S-2P-S2T2-EF
CP714	9A09970000	CN, WAFER, G1L-S-8P-S2T2-EF
D710	△ 9A09966300	DIODE, 1N4007
D711	△ 9A09966300	DIODE, 1N4007
D712	△ 9A09966300	DIODE, 1N4007
D713	△ 9A09966300	DIODE, 1N4007
D714	9A09966200	DIODE, 1SS133T-72
D715	9A09966200	DIODE, 1SS133T-72
D716	9A09966200	DIODE, 1SS133T-72
D717	9A09966200	DIODE, 1SS133T-72
F711	9A09961500	HOLDER, FUSE
F711	△ 9A09973700	FUSE, T2. 5A/250V
F712	9A09961500	HOLDER, FUSE
F712	△ 9A09980500	FUSE, T6. 3A/250V
GND714	9A09975400	TERMINAL, GND PLATE
IC710	△ 9A09963500	IC, MC7806CT
L710	9A09957900	COIL, 10UH-Q40
L711	9A09957900	COIL, 10UH-Q40
L712	9A09957900	COIL, 10UH-Q40
Q711	9A09966100	TR, KRC107M
Q712	9A09964100	TR, KSA916Y
R710	△ 9A09979100	R, METAL, 3. 3M 0. 5W
RECEPTA	△ 9A09979700	SOCKET, POWER RECEPTACLE
RY710	△ 9A09961600	RELAY, G5PA-1 12V 5A
T710	△ 9A09981800	TRANS, ST/BY 120V/60HZ
ZD711	9A09966900	D, ZENER, MTZJ7. 5B
ZD712	9A09967100	D, ZENER, MTZJ15B
ZD713	9A09967100	D, ZENER, MTZJ15B
ZD715	9A09966600	D, ZENER, MTZJ4. 3B

POWER PCB ASSY [E]

REF. NO.	PARTS NO.	DESCRIPTION
	9A09978200	POWER PCB ASSY
C714	△ 9A09954700	CC, AC13F472MDOA
CP710	9A09970500	CN, WAFER, 5267-04A 4P
CP711	9A09970900	CN, WAFER, 35328-0210
CP712	9A09980400	CN, WAFER, YW396V (03AV)

POWER PCB ASSY [E]

REF. NO.	PARTS NO.	DESCRIPTION
CP713	9A09969400	CN, WAFER, G1L-S-2P-S2T2-EF
CP714	9A09970000	CN, WAFER, G1L-S-8P-S2T2-EF
D710	△ 9A09966300	DIODE, 1N4007
D711	△ 9A09966300	DIODE, 1N4007
D712	△ 9A09966300	DIODE, 1N4007
D713	△ 9A09966300	DIODE, 1N4007
D714	9A09966200	DIODE, 1SS133T-72
D715	9A09966200	DIODE, 1SS133T-72
D716	9A09966200	DIODE, 1SS133T-72
D717	9A09966200	DIODE, 1SS133T-72
F711	9A09961500	HOLDER, FUSE
F711	△ 9A09973700	FUSE, T2. 5A/250V
F712	9A09961500	HOLDER, FUSE
F712	△ 9A09973800	FUSE, T4A/250V
GND714	9A09975400	TERMINAL, GND PLATE
IC710	△ 9A09963500	IC, MC7806CT
L710	9A09957900	COIL, 10UH-Q40
L711	9A09957900	COIL, 10UH-Q40
L712	9A09957900	COIL, 10UH-Q40
Q711	9A09966100	TR, KRC107M
Q712	9A09964100	TR, KSA916Y
RECEPTA	△ 9A09960100	SOCKET, AC OUTLET YKE31-0090
RY710	△ 9A09961600	RELAY, G5PA-1 12V 5A
T710	△ 9A09978800	TRANS, ST/BY 230V/50HZ
ZD711	9A09966900	D, ZENER, MTZJ7. 5B
ZD712	9A09967100	D, ZENER, MTZJ15B
ZD713	9A09967100	D, ZENER, MTZJ15B
ZD715	9A09966600	D, ZENER, MTZJ4. 3B

POWER PCB ASSY [UK]

REF. NO.	PARTS NO.	DESCRIPTION
	9A09983600	POWER PCB ASSY
C714	△ 9A09954700	CC, AC13F472MDOA
CP710	9A09970500	CN, WAFER, 5267-04A 4P
CP711	9A09970900	CN, WAFER, 35328-0210
CP712	9A09980400	CN, WAFER, YW396V (03AV)
CP713	9A09969400	CN, WAFER, G1L-S-2P-S2T2-EF
CP714	9A09970000	CN, WAFER, G1L-S-8P-S2T2-EF
D710	△ 9A09966300	DIODE, 1N4007
D711	△ 9A09966300	DIODE, 1N4007
D712	△ 9A09966300	DIODE, 1N4007
D713	△ 9A09966300	DIODE, 1N4007
D714	9A09966200	DIODE, 1SS133T-72
D715	9A09966200	DIODE, 1SS133T-72
D716	9A09966200	DIODE, 1SS133T-72
D717	9A09966200	DIODE, 1SS133T-72
F712	9A09961500	HOLDER, FUSE
F712	△ 9A09973800	FUSE, T4A/250V
GND714	9A09975400	TERMINAL, GND PLATE
IC710	△ 9A09963500	IC, MC7806CT
L710	9A09957900	COIL, 10UH-Q40

POWER PCB ASSY [UK]

REF. NO.	PARTS NO.	DESCRIPTION
L711	9A09957900	COIL, 10UH-Q40
L712	9A09957900	COIL, 10UH-Q40
Q711	9A09966100	TR, KRC107M
Q712	9A09964100	TR, KSA916Y
RY710	△ 9A09961600	RELAY, G5PA-1 12V 5A
T710	△ 9A09978800	TRANS, ST/BY 230V/50HZ
ZD711	9A09966900	D, ZENER, MTZJ7. 5B
ZD712	9A09967100	D, ZENER, MTZJ15B
ZD713	9A09967100	D, ZENER, MTZJ15B
ZD715	9A09966600	D, ZENER, MTZJ4. 3B

POWER PCB ASSY [K]

REF. NO.	PARTS NO.	DESCRIPTION
C714	△ 9A09981500	POWER PCB ASSY
CP710	△ 9A09954700	CC, AC13F472MDOA
CP711	9A09970500	CN, WAFER, 5267-04A 4P
CP712	9A09970900	CN, WAFER, 35328-0210
CP712	9A09980400	CN, WAFER, YW396V (03AV)
CP713	9A09969400	CN, WAFER, G1L-S-2P-S2T2-EF
CP714	9A09970000	CN, WAFER, G1L-S-8P-S2T2-EF
D710	△ 9A09966300	DIODE, 1N4007
D711	△ 9A09966300	DIODE, 1N4007
D712	△ 9A09966300	DIODE, 1N4007
D713	△ 9A09966300	DIODE, 1N4007
D714	9A09966200	DIODE, 1SS133T-72
D715	9A09966200	DIODE, 1SS133T-72
D716	9A09966200	DIODE, 1SS133T-72
D717	9A09966200	DIODE, 1SS133T-72
F711	9A09961500	HOLDER, FUSE
F711	△ 9A09973700	FUSE, T2. 5A/250V
F712	9A09961500	HOLDER, FUSE
F712	△ 9A09973800	FUSE, T4A/250V
GND714	9A09975400	TERMINAL, GND PLATE
IC710	△ 9A09963500	IC, MC7806CT
L710	9A09957900	COIL, 10UH-Q40
L711	9A09957900	COIL, 10UH-Q40
L712	9A09957900	COIL, 10UH-Q40
Q711	9A09966100	TR, KRC107M
Q712	9A09964100	TR, KSA916Y
RECEPTA	△ 9A09982000	SOCKET, POWER RECEPTACLE
RY710	△ 9A09961600	RELAY, G5PA-1 12V 5A
T710	△ 9A09978800	TRANS, ST/BY 230V/50HZ
ZD711	9A09966900	D, ZENER, MTZJ7. 5B
ZD712	9A09967100	D, ZENER, MTZJ15B
ZD713	9A09967100	D, ZENER, MTZJ15B
ZD715	9A09966600	D, ZENER, MTZJ4. 3B

HEADPHONE PCB ASSY

REF. NO.	PARTS NO.	DESCRIPTION
JACK101	9A09981600	HEADPHONE PCB ASSY
JACK101	9A09959600	JACK, D6. 5

POWER SW PCB ASSY

REF. NO.	PARTS NO.	DESCRIPTION
SW901	△ 9A09978600	POWER SW PCB ASSY
SW901	△ 9A09959200	SW, PUSH, SDDL-005-S

ST/BY PCB ASSY

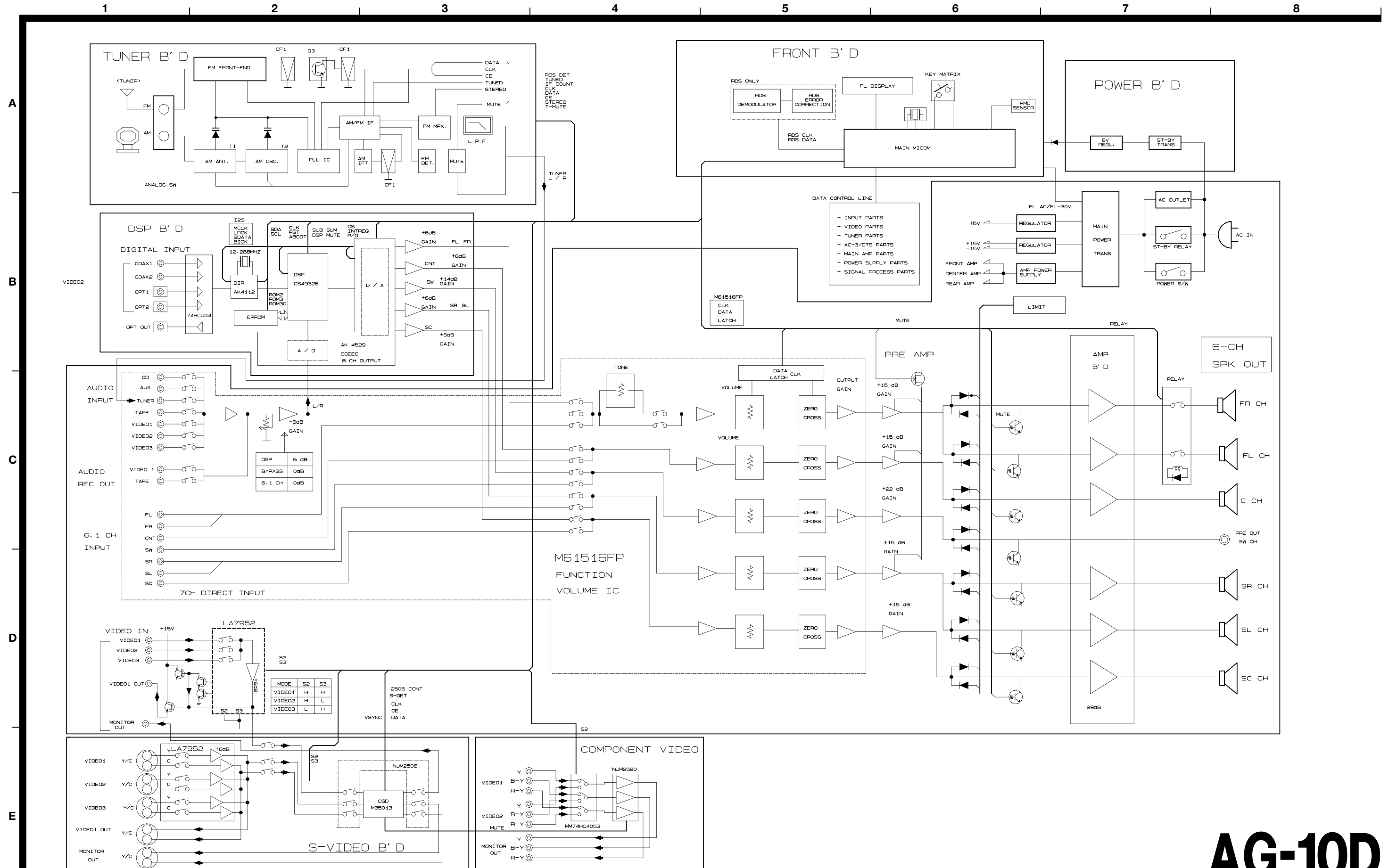
REF. NO.	PARTS NO.	DESCRIPTION
CP409	9A09978300	ST/BY PCB ASSY
CP409	9A09969500	CN, WAFER, G1L-S-2P-S2L2-EF
SW308	9A09959500	SW, TACT, SKHV10920A

6 INCLUDED ACCESSORIES

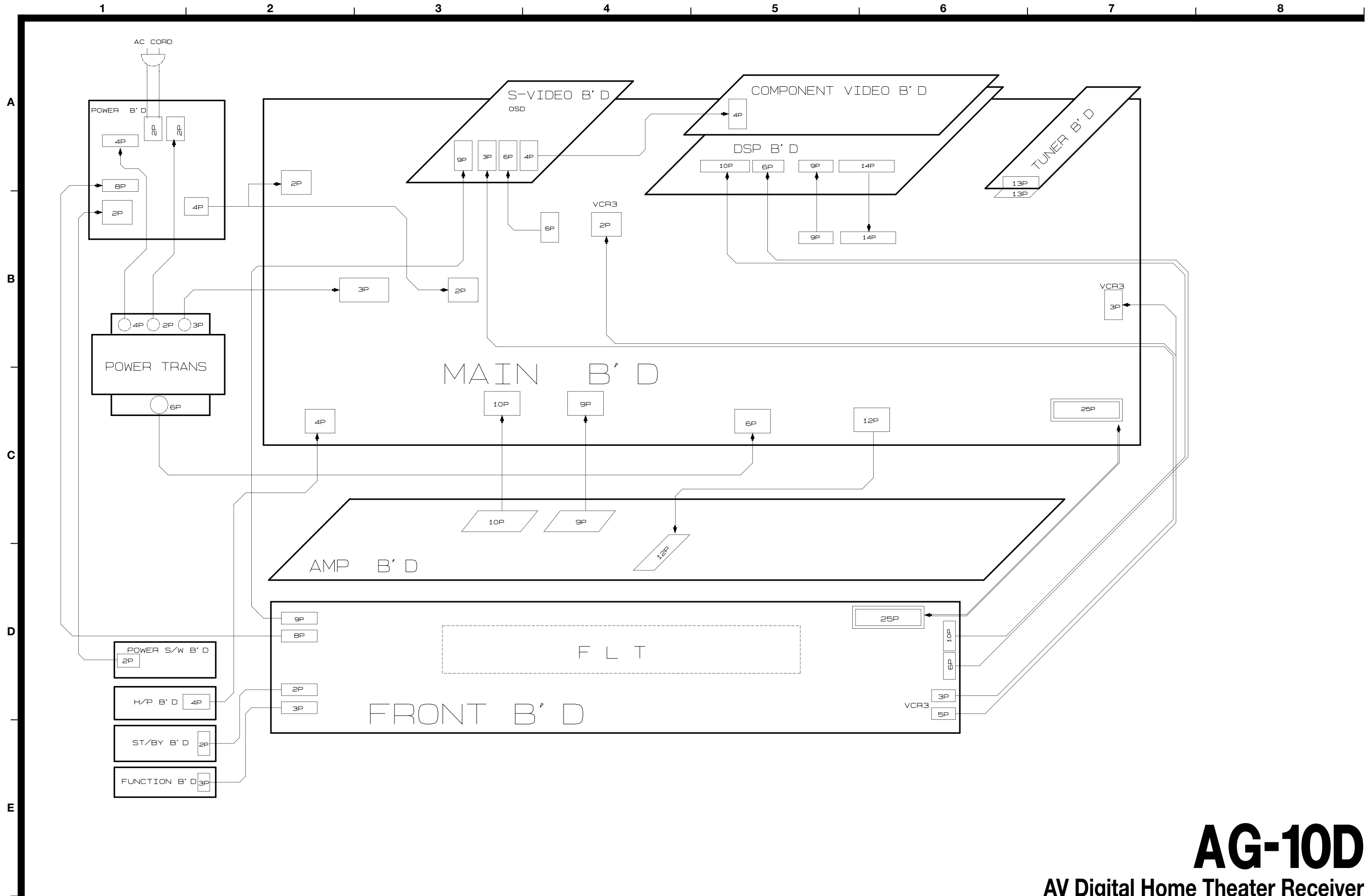
INCLUDED ACCESSORIES

REF. NO.	PARTS NO.	DESCRIPTION	REMARKS
	9A09986200	OWNER'S MANUAL, TC-E/F/S [US, C, K]	
	9A09985000	OWNER'S MANUAL, E/F/S [E, UK]	
	9A09985900	OWNER'S MANUAL, D/I/N [E]	
	9A09986500	REMOCON, UR-423 [US, C, K]	
	9A09985400	REMOCON, UR-424 [E, UK]	
	9A09985700	BATTERY, DRY, AAA	
	9A09985500	ANTENNA, ROOP, STD [US, C, E, UK]	
	9A09986900	ANTENNA, ROOP, STD [K]	
	9A09985600	ANTENNA, WIRE, 67029	
	9A09986600	MATCHING TRANS [US, C, K]	
	9A09985800	MATCHING TRANS [E, UK]	

TEAC BLOCK DIAGRAM AG-10D



TEAC WIRING DIAGRAM AG-10D

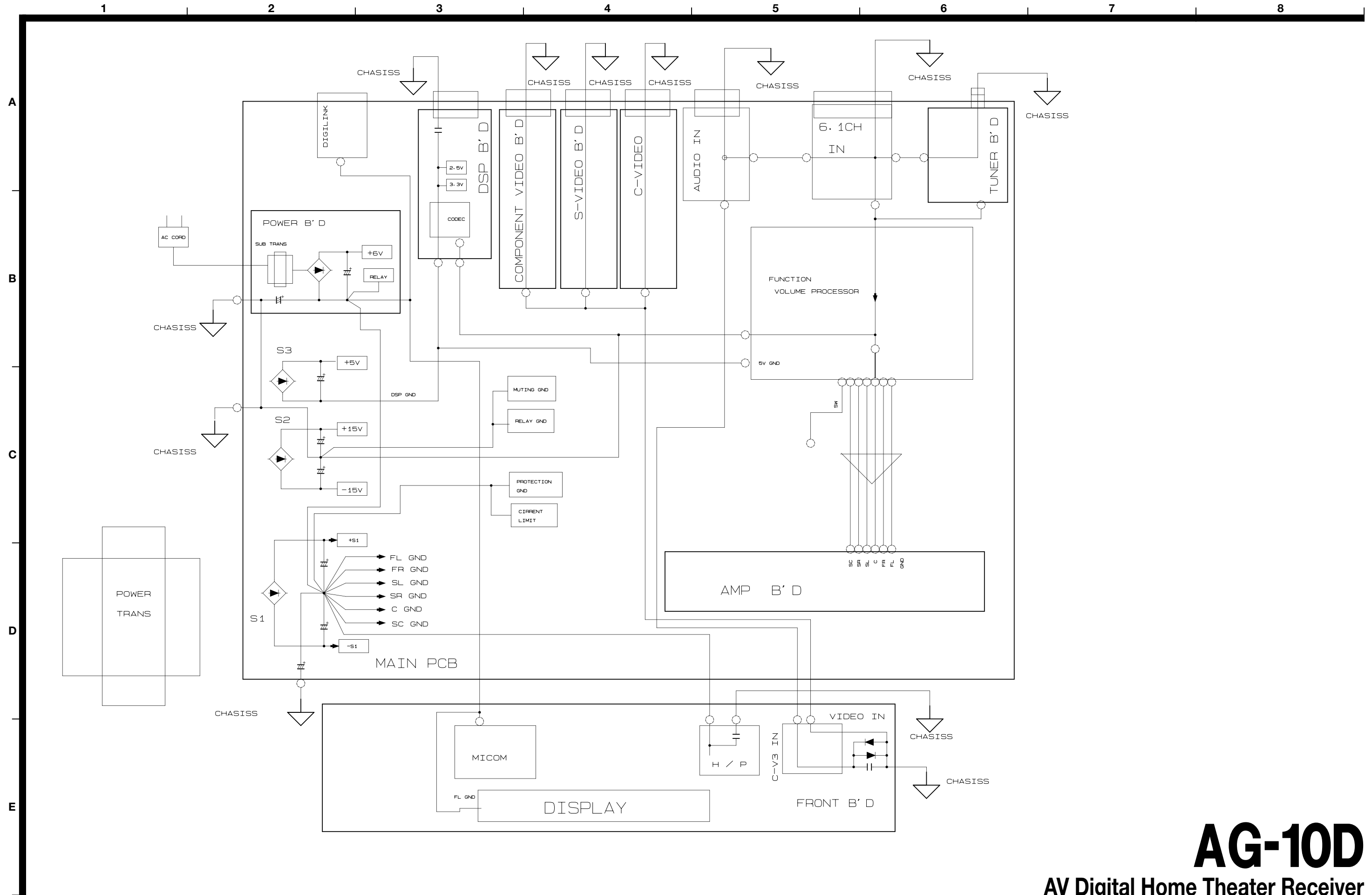


AG-10D

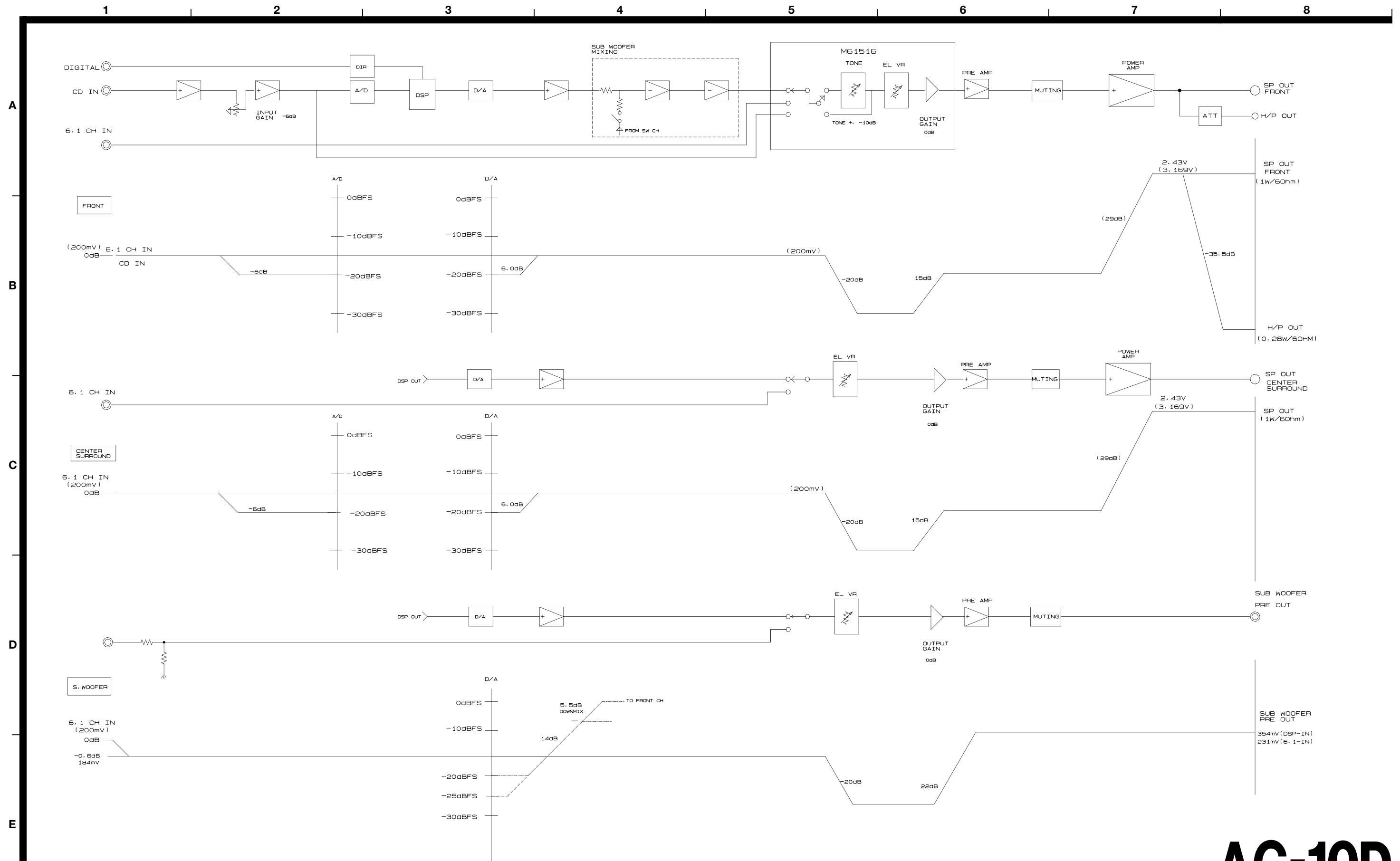
AV Digital Home Theater Receiver

1st Issue; December 2003

TEAC GROUND DIAGRAM AG-10D



TEAC LEVEL DIAGRAM AG-10D



AG-10D

AV Digital Home Theater Receiver

1st Issue; December 2003

TEAC SCHEMATIC DIAGRAM AG-10D MAIN PCB (1/2)

1 2 3 4 5 6 7 8

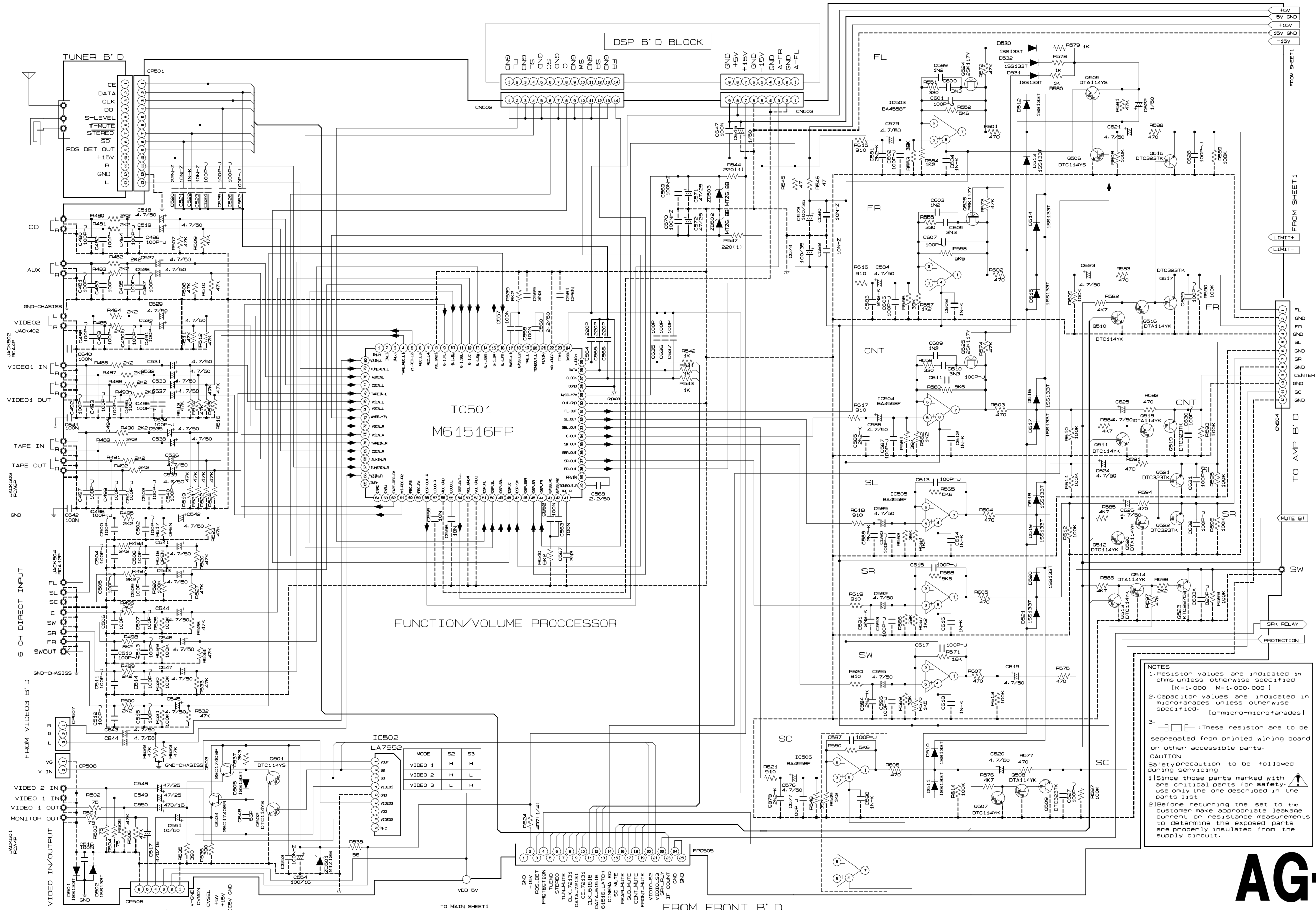
A

B

C

D

E



IC501
M61516FP

FUNCTION/VOLUME PROCESSOR

MODE	S2	S3
VIDEO 1	H	H
VIDEO 2	H	L
VIDEO 3	L	H

NOTES

- Resistor values are indicated in ohms unless otherwise specified [k=1,000 M=1,000,000]
- Capacitor values are indicated in microfarads unless otherwise specified. [p=micro-microfarads]
- These resistors are to be segregated from printed wiring board or other accessible parts.

CAUTION
Safety precaution to be followed during servicing

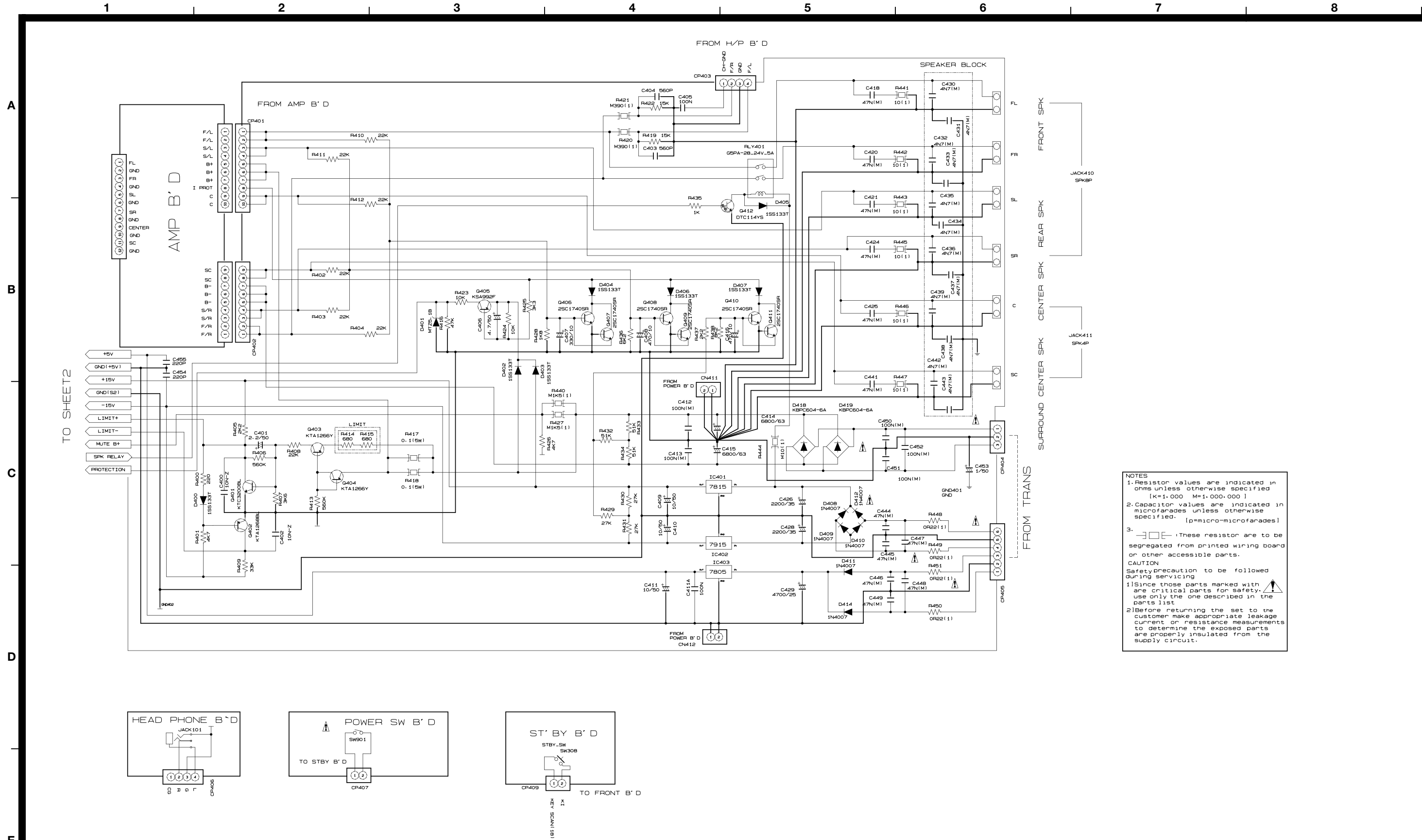
- Since those parts marked with are critical parts for safety, use only the one described in the parts list.
- Before returning the set to the customer make appropriate leakage current or resistance measurements to determine the exposed parts are properly insulated from the supply circuit.

AG-10D

AV Digital Home Theater Receiver

1st Issue; December 2003

TEAC SCHEMATIC DIAGRAM AG-10D MAIN PCB (2/2), HEADPHONE PCB, POWER SW PCB, ST/BY PCB



NOTES

1. Resistor values are indicated in ohms unless otherwise specified [K=1,000 M=1,000,000]
2. Capacitor values are indicated in microfarads unless otherwise specified. [p=micro-microfarads]
3. These resistor are to be segregated from printed wiring board or other accessible parts.

CAUTION
Safety precaution to be followed during servicing

- 1) Since those parts marked with are critical parts for safety, use only the one described in the parts list
- 2) Before returning the set to the customer make appropriate leakage current or resistance measurements to determine the exposed parts are properly insulated from the supply circuit.

TEAC SCHEMATIC DIAGRAM AG-10D S-VIDEO PCB, COMPONENT PCB

1 2 3 4 5 6 7 8

A

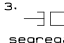
B

C


D

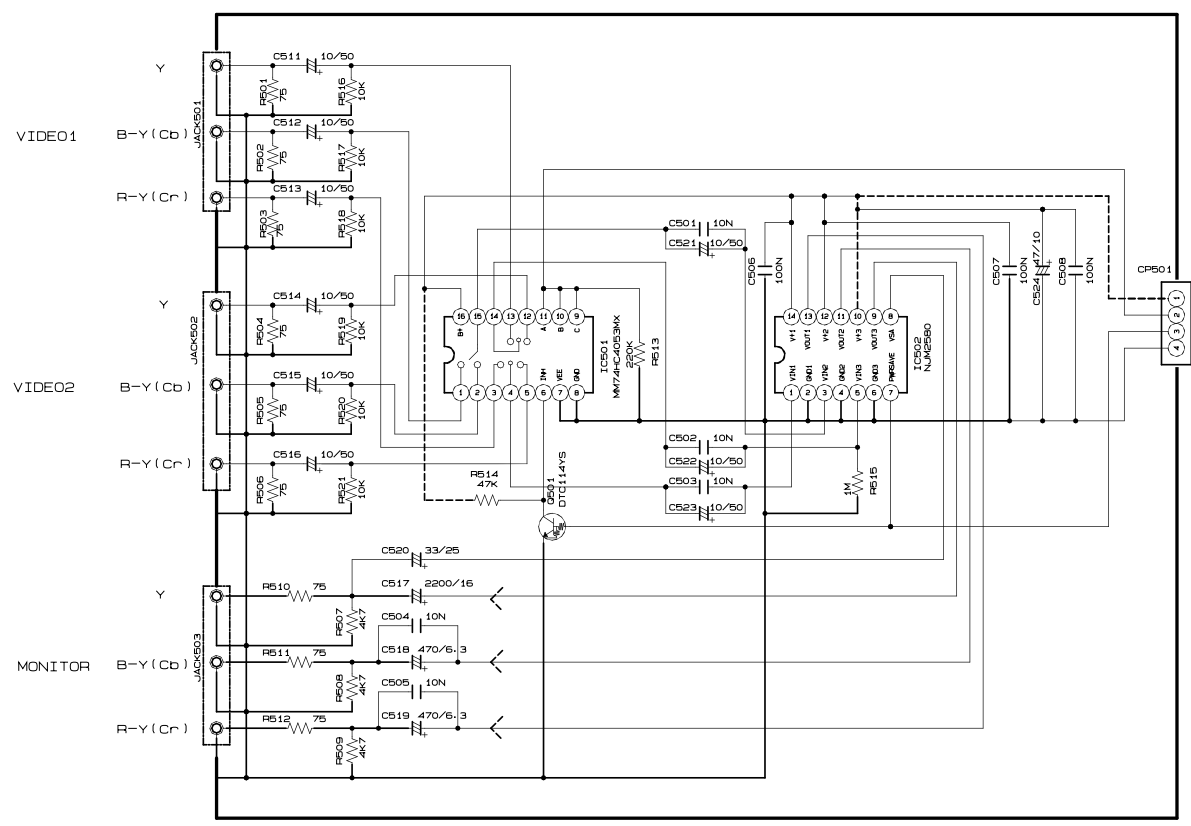
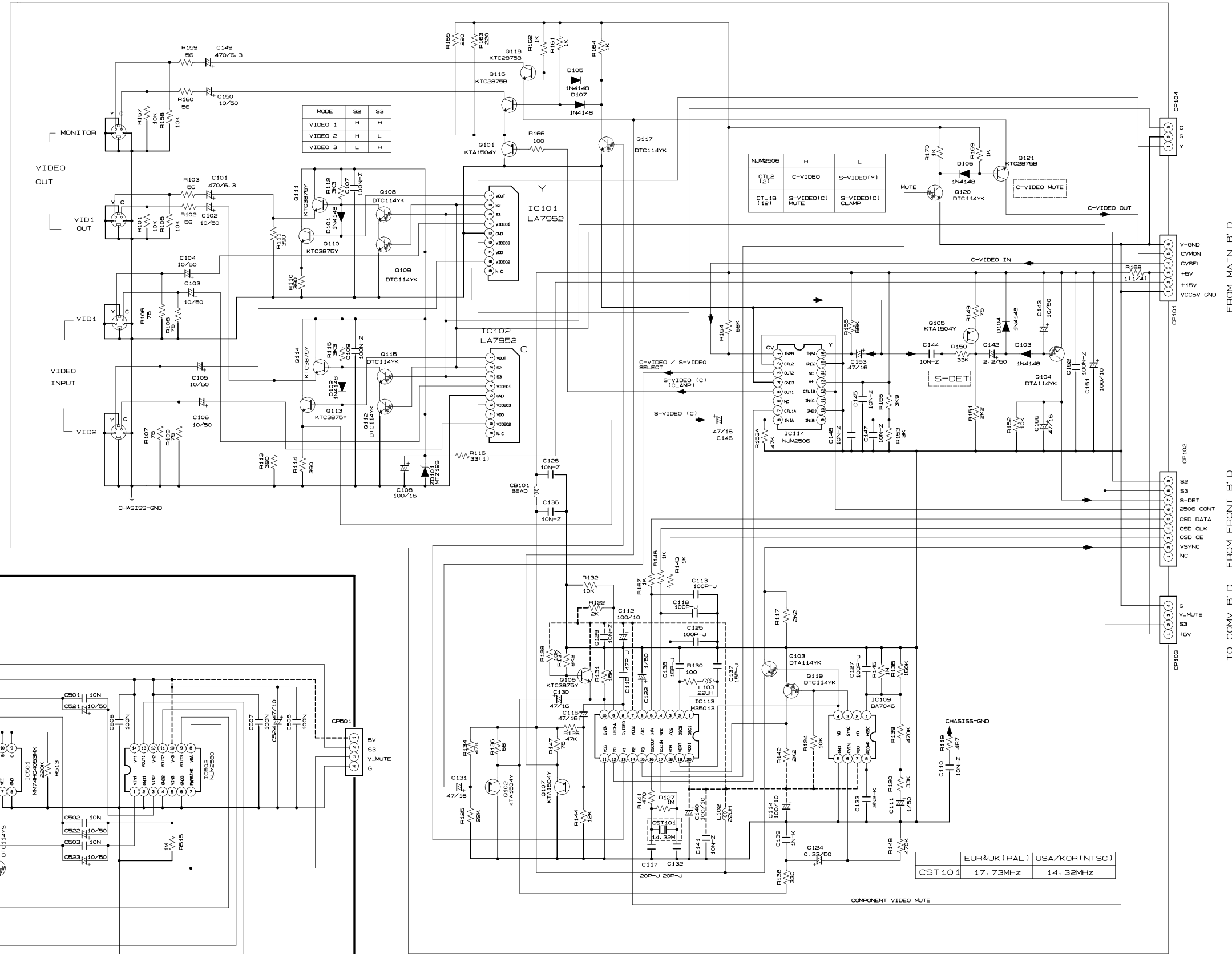
E

NOTES

1. Resistor values are indicated in ohms unless otherwise specified [K=1,000 M=1,000,000]
2. Capacitor values are indicated in microfarads unless otherwise specified. [p=micro-microfarads]
3.  These resistor are to be segregated from printed wiring board or other accessible parts.

CAUTION
Safety precaution to be followed during servicing

- 1) Since those parts marked with  are critical parts for safety, use only the one described in the parts list.
- 2) Before returning the set to the customer make appropriate leakage current or resistance measurements to determine the exposed parts are properly insulated from the supply circuit.



FROM MAIN B'D
TO COMV B'D FROM FRONT B'D

TEAC SCHEMATIC DIAGRAM AG-10D DSP PCB

1 2 3 4 5 6 7 8

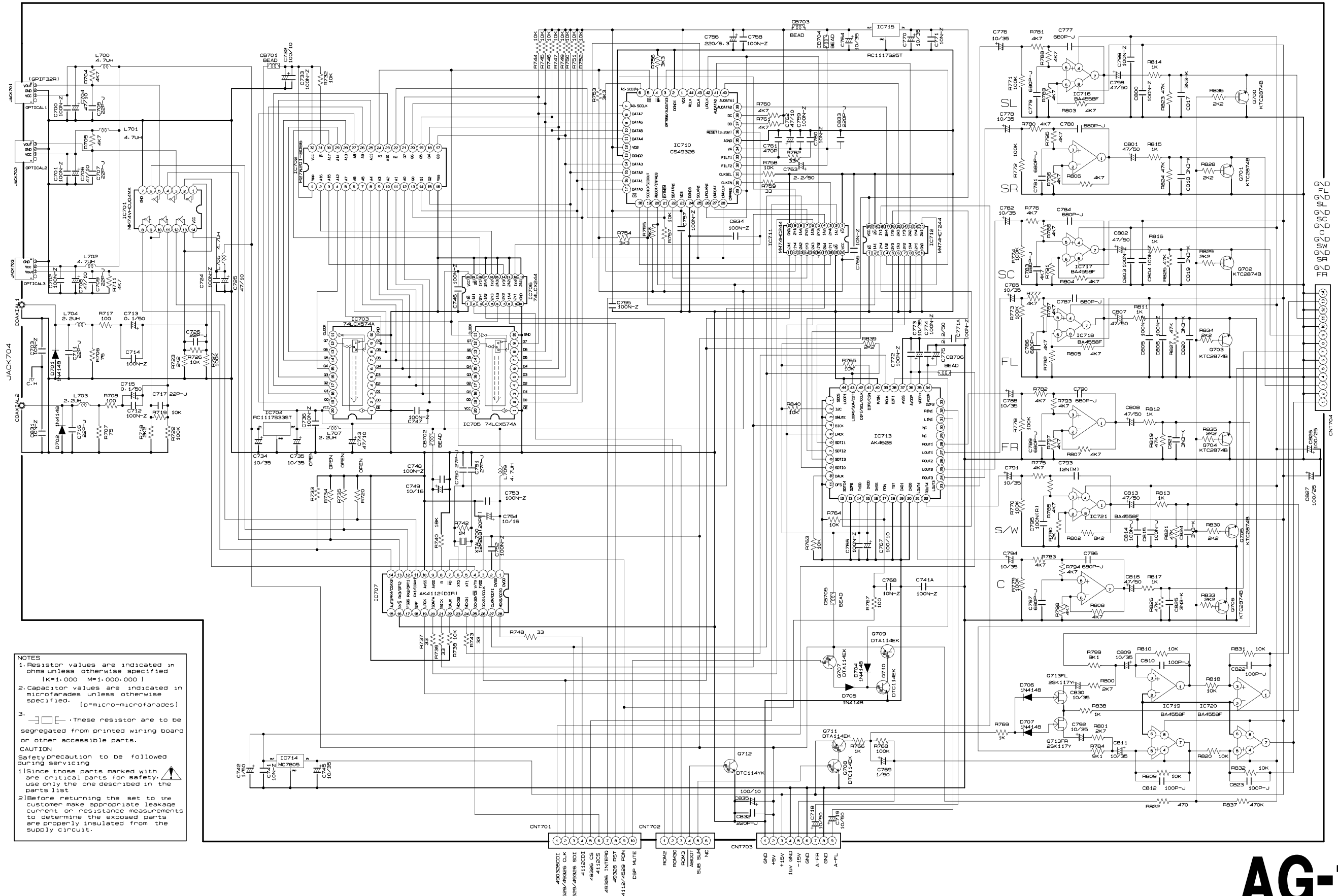
A

B

C

D

E



NOTES

1. Resistor values are indicated in ohms unless otherwise specified. [K=1,000 M=1,000,000]
2. Capacitor values are indicated in microfarads unless otherwise specified. [p=micro-microfarads]
3. These resistor are to be segregated from printed wiring board or other accessible parts.

CAUTION
Safety precaution to be followed during servicing

- 1) Since those parts marked with are critical parts for safety, use only the one described in the parts list
- 2) Before returning the set to the customer make appropriate leakage current or resistance measurements to determine the exposed parts are properly insulated from the supply circuit.



TEAC SCHEMATIC DIAGRAM AG-10D AMP PCB

1 2 3 4 5 6 7 8

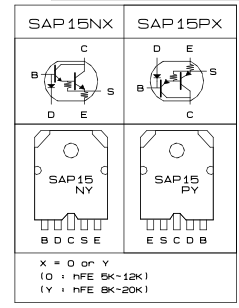
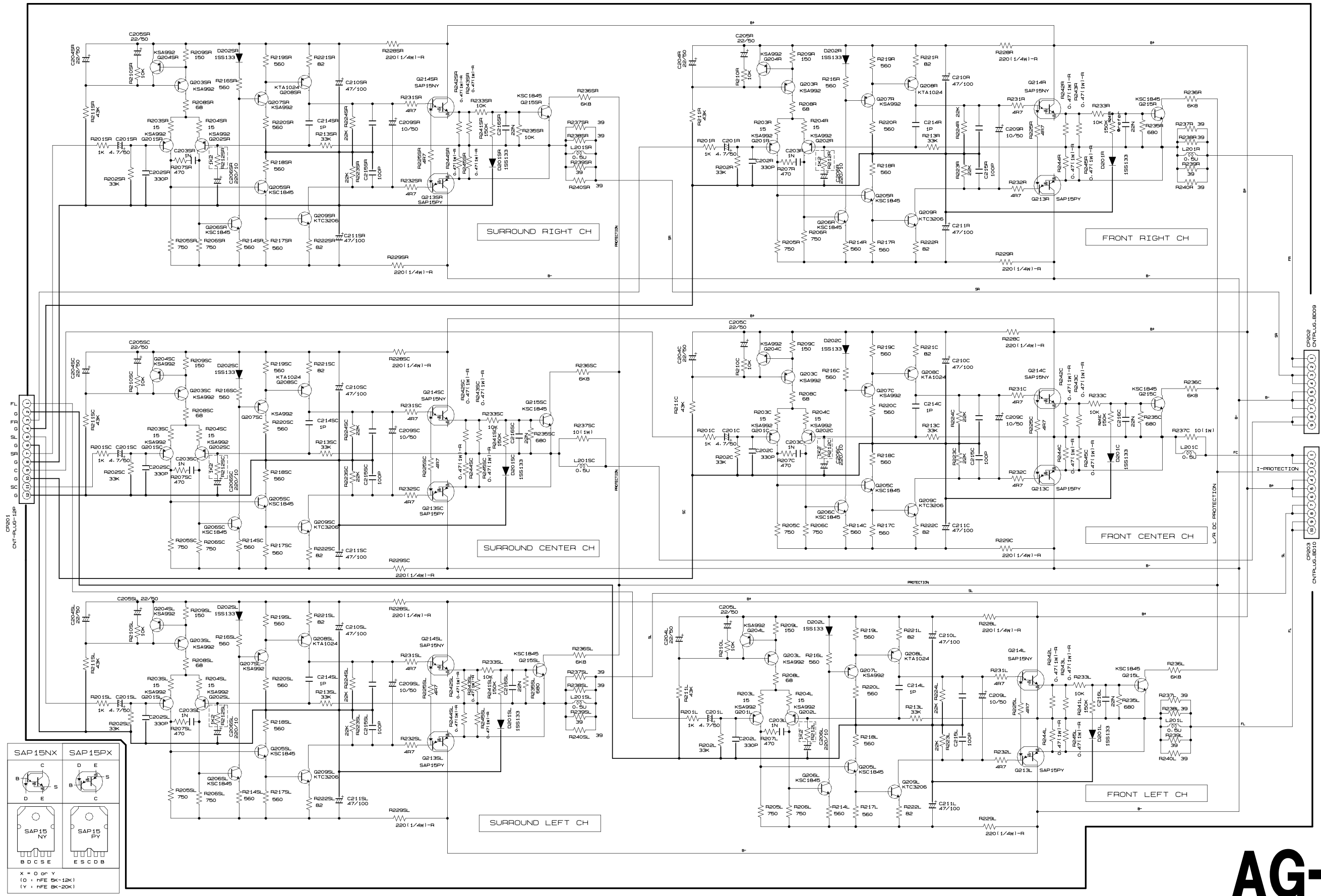
A

B

C

D

E



AG-10D

AV Digital Home Theater Receiver

1st Issue; December 2003

TEAC SCHEMATIC DIAGRAM AG-10D FRONT PCB, FUNCTION PCB

1 2 3 4 5 6 7 8

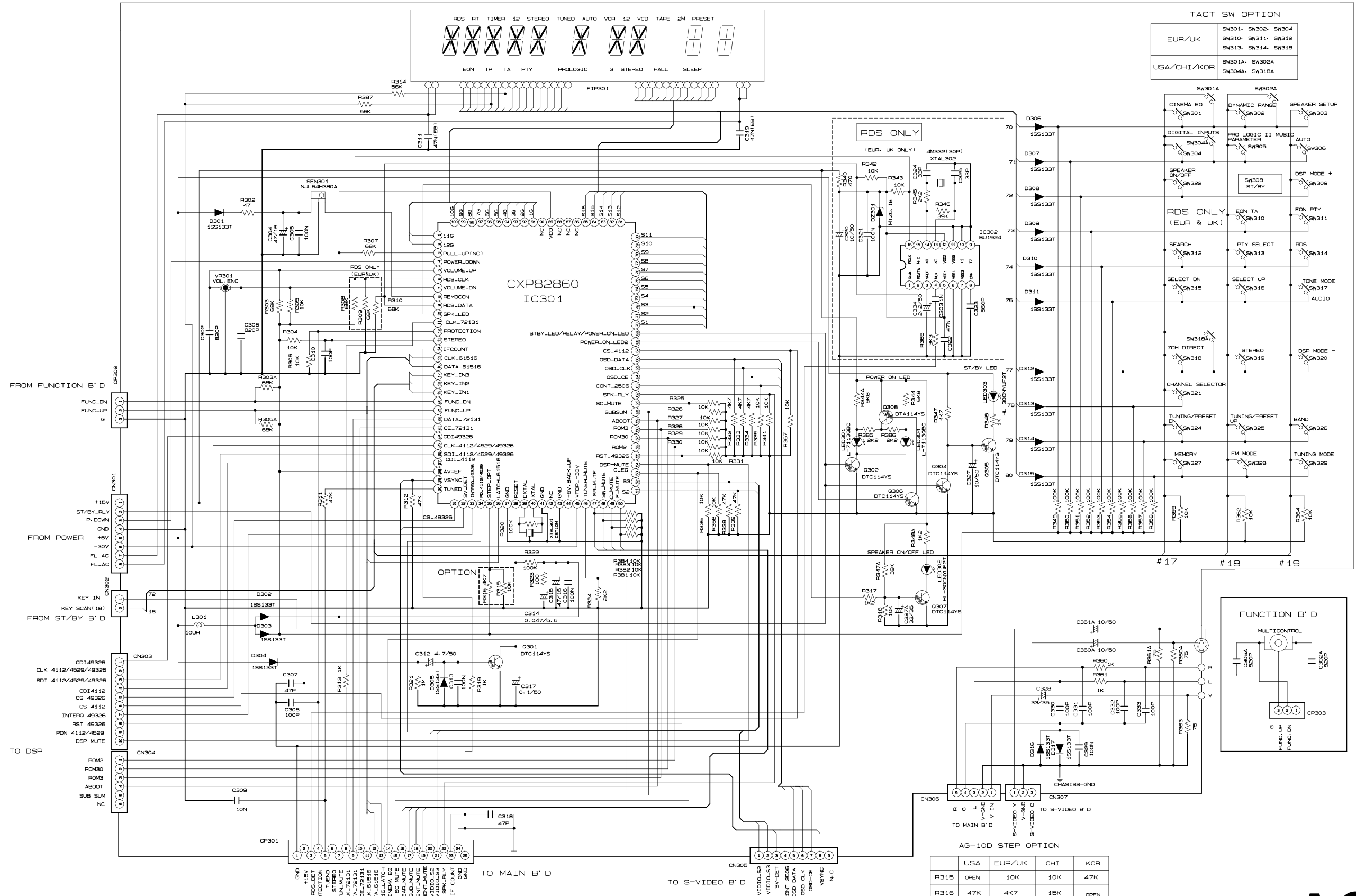
A

B

C

D

E

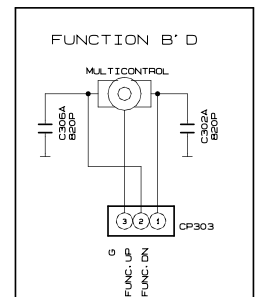


TACT SW OPTION

EUR/UK	SW301- SW302- SW304 SW310- SW311- SW312 SW313- SW314- SW318
USA/CHI/KOR	SW301A- SW302A SW304A- SW318A

AG-10D STEP OPTION

	USA	EUR/UK	CHI	KOR
R315	OPEN	10K	10K	47K
R316	47K (+5V)	4K7 (+3.4V)	15K (+2.0V)	OPEN

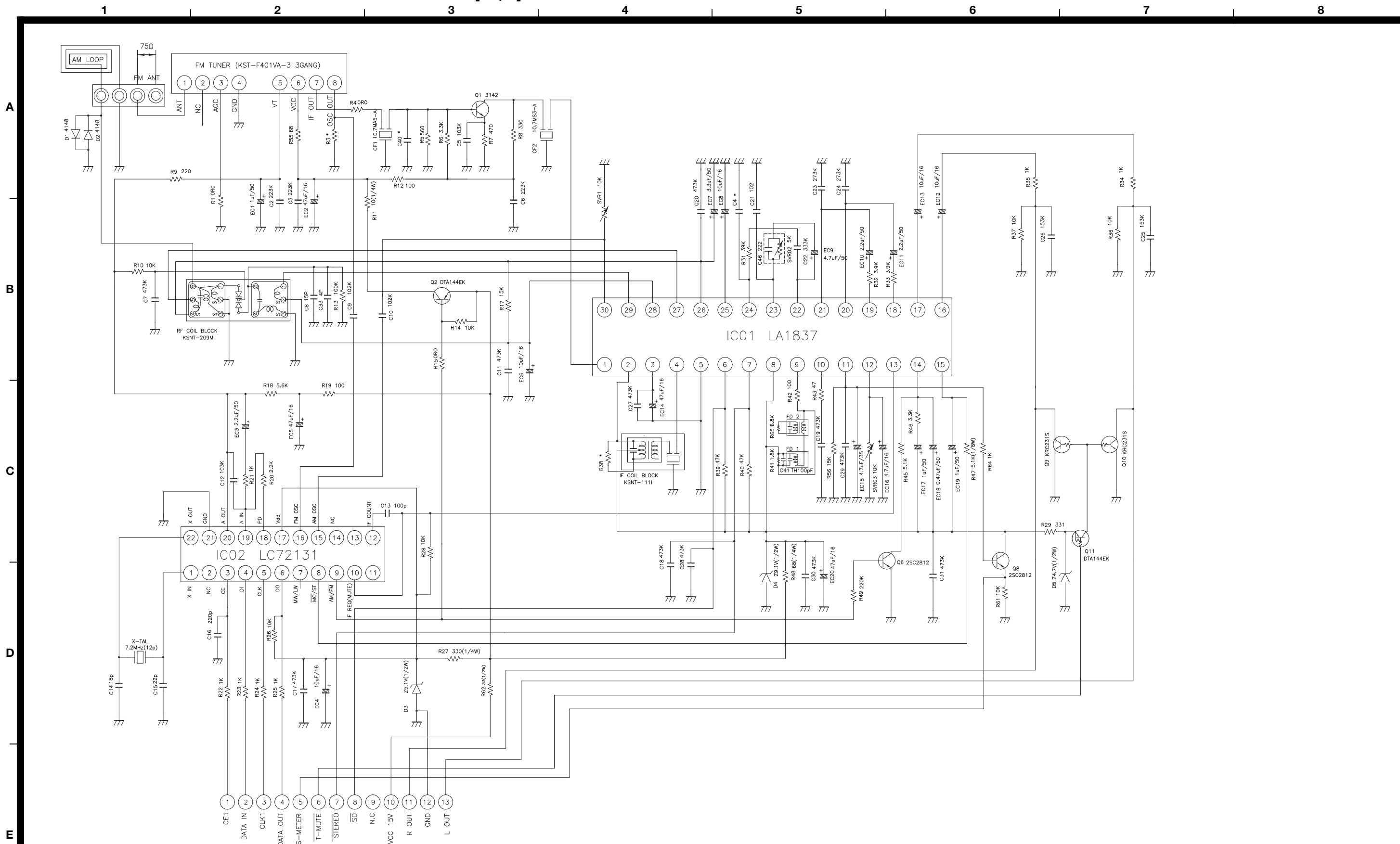


AG-10D

AV Digital Home Theater Receiver

1st Issue; December 2003

TEAC SCHEMATIC DIAGRAM AG-10D TUNER PCB [US, C]



AG-10D

AV Digital Home Theater Receiver

1st Issue; December 2003

TEAC SCHEMATIC DIAGRAM AG-10D TUNER PCB [E, UK]

1 2 3 4 5 6 7 8

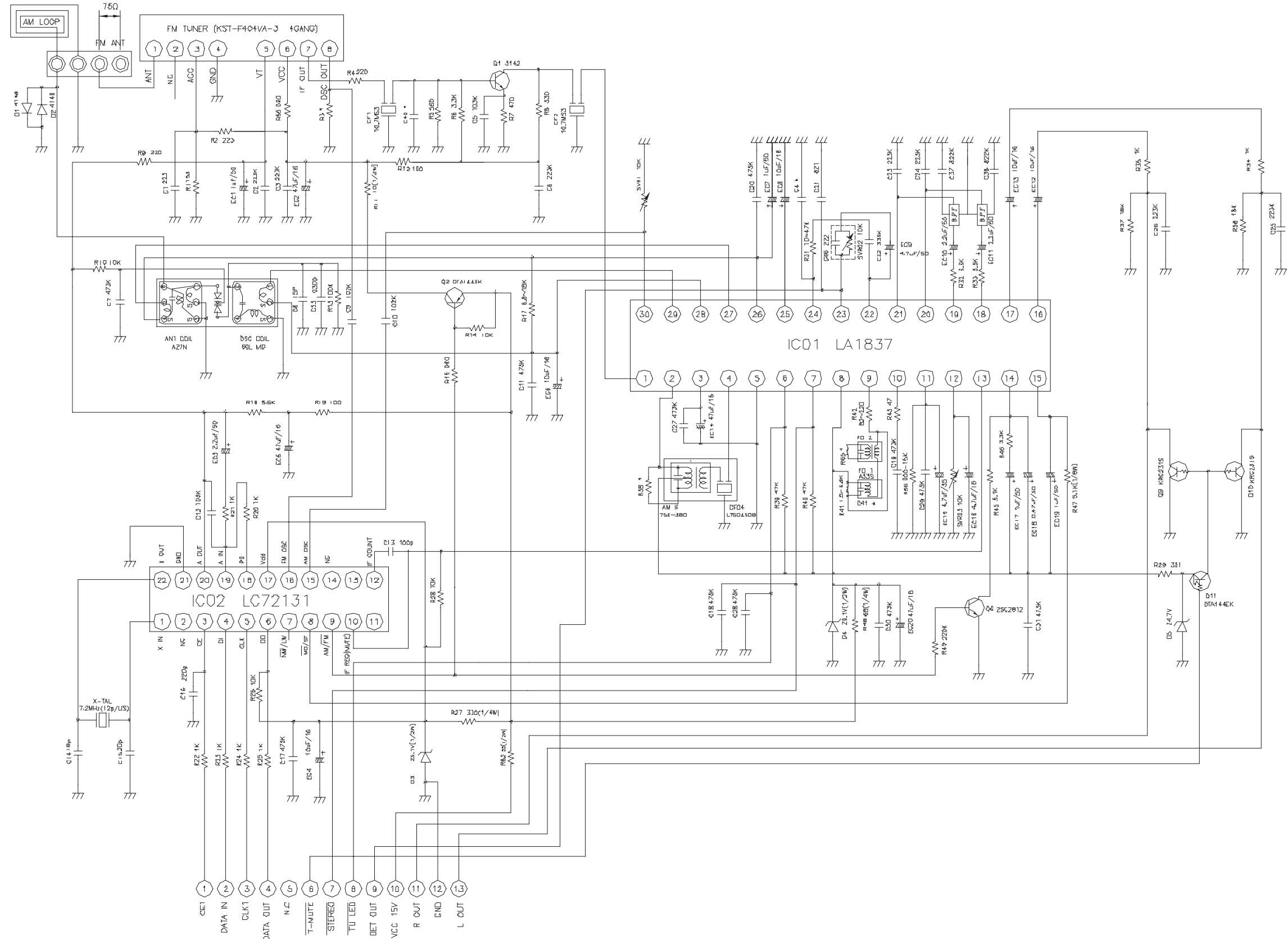
A

B

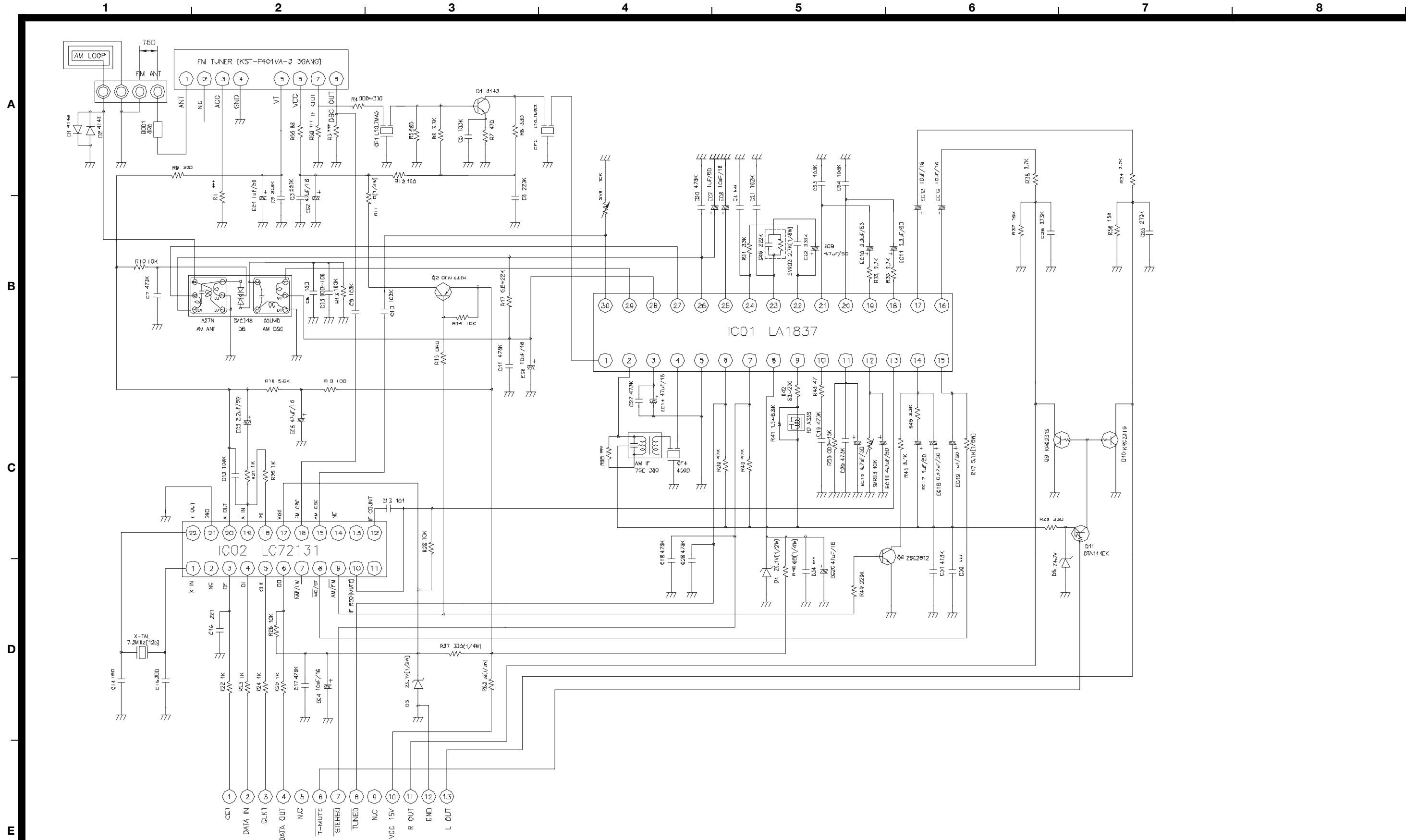
C

D

E



TEAC SCHEMATIC DIAGRAM AG-10D TUNER PCB [K]



AG-10D

AV Digital Home Theater Receiver

1st Issue; December 2003

TEAC SCHEMATIC DIAGRAM AG-10D POWER PCB

1 2 3 4 5 6 7 8

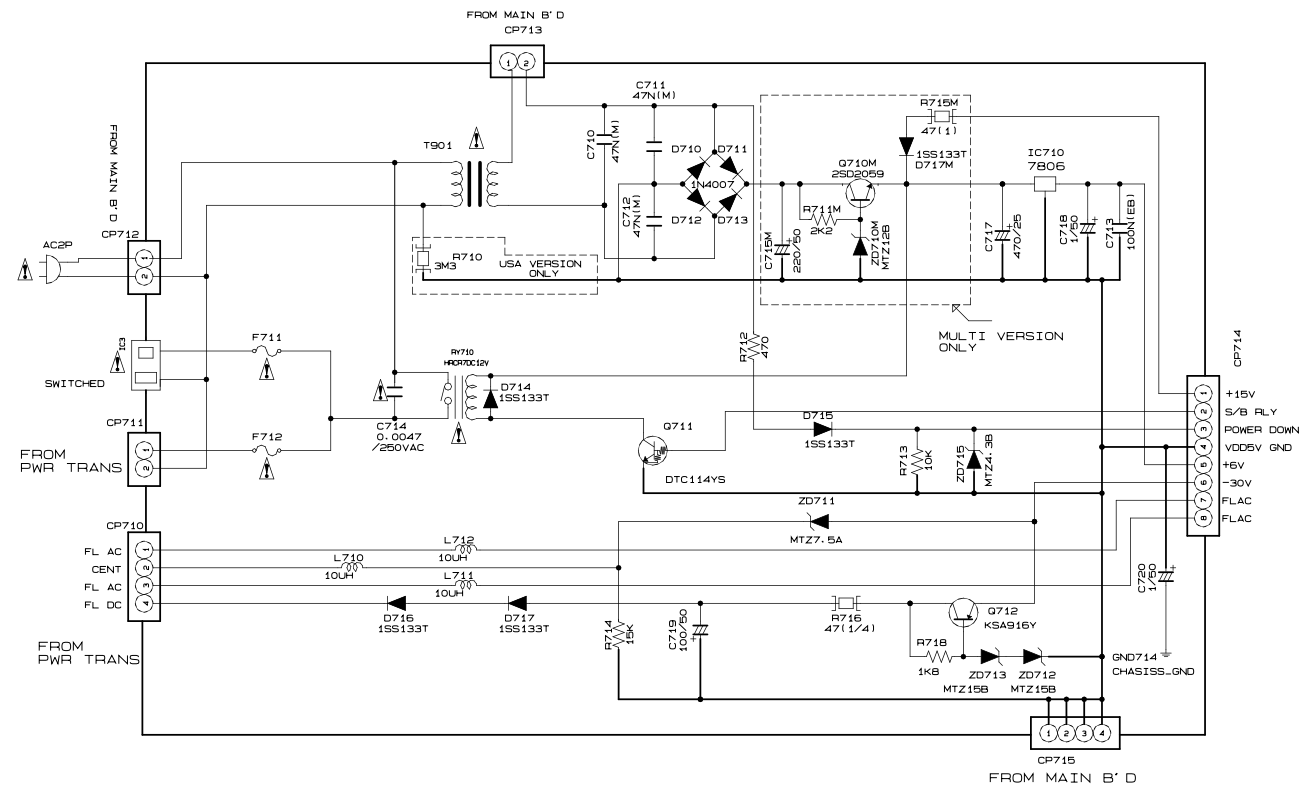
A

B

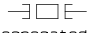
C

D


E



NOTES

1. Resistor values are indicated in ohms unless otherwise specified [K=1,000 M=1,000,000]
2. Capacitor values are indicated in microfarades unless otherwise specified. [p=micro-microfarades]
3.  These resistor are to be segregated from printed wiring board or other accessible parts.

CAUTION
Safety precaution to be followed during servicing

- 1) Since those parts marked with  are critical parts for safety, use only the one described in the parts list.
- 2) Before returning the set to the customer make appropriate leakage current or resistance measurements to determine the exposed parts are properly insulated from the supply circuit.

AREA	F712	F711
USA	T6.3AL / 250V	T2.5AL / 250V
EUR CHINA KOREA	T4AL / 250V	T2.5AL / 250V
UK	T4AL / 250V	—

INSTRUCTIONS FOR SERVICE PERSONNEL
BEFORE RETURNING APPLIANCE TO THE CUSTOMER, MAKE LEAKAGE-CURRENT OR RESISTANCE MEASUREMENTS TO DETERMINE THAT EXPOSED PARTS ARE ACCEPTABLY INSULATED FROM THE SUPPLY CIRCUIT.