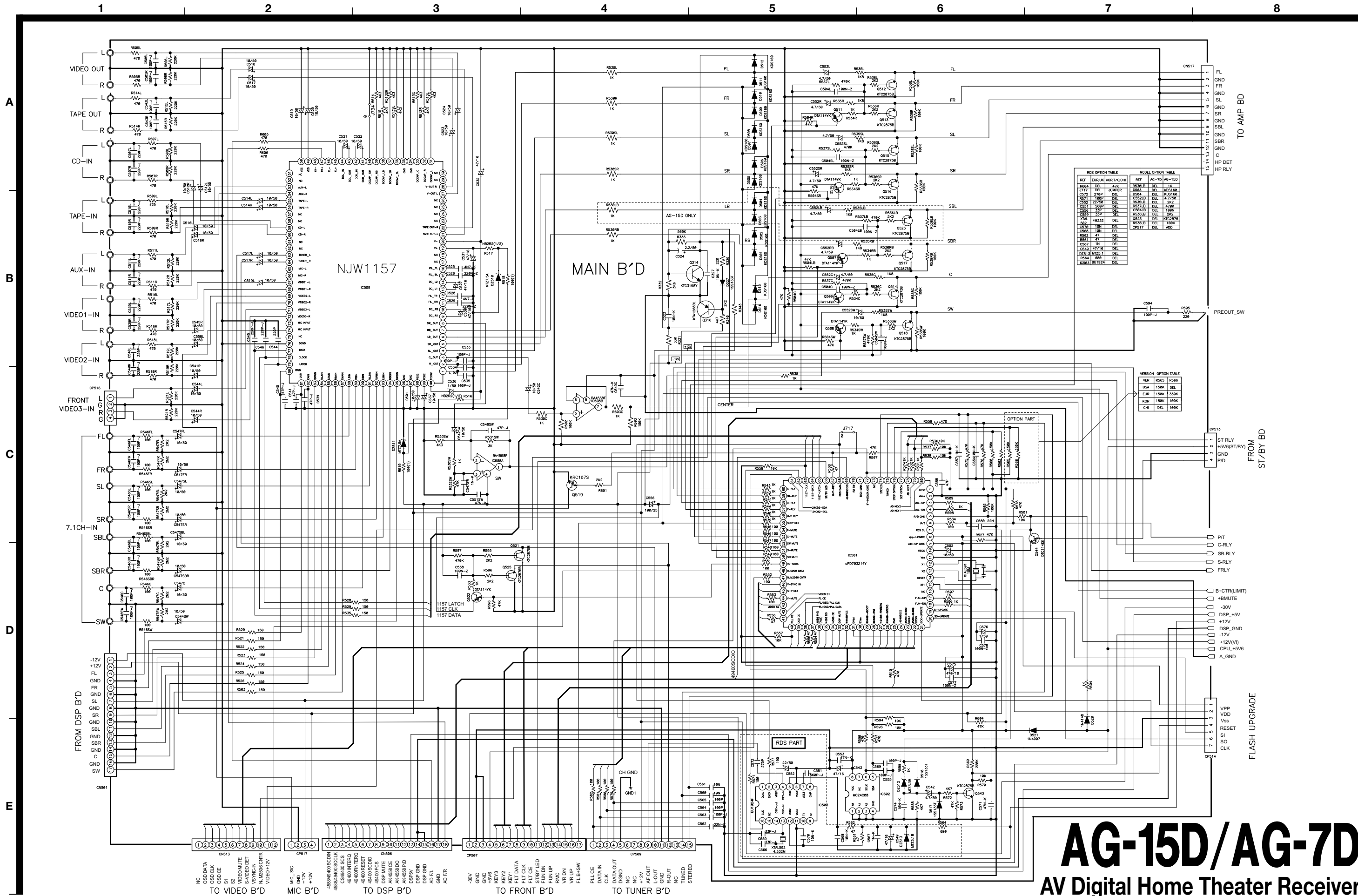


TEAC SCHEMATIC DIAGRAM AG-15D/AG-7D MAIN PCB (1/2)

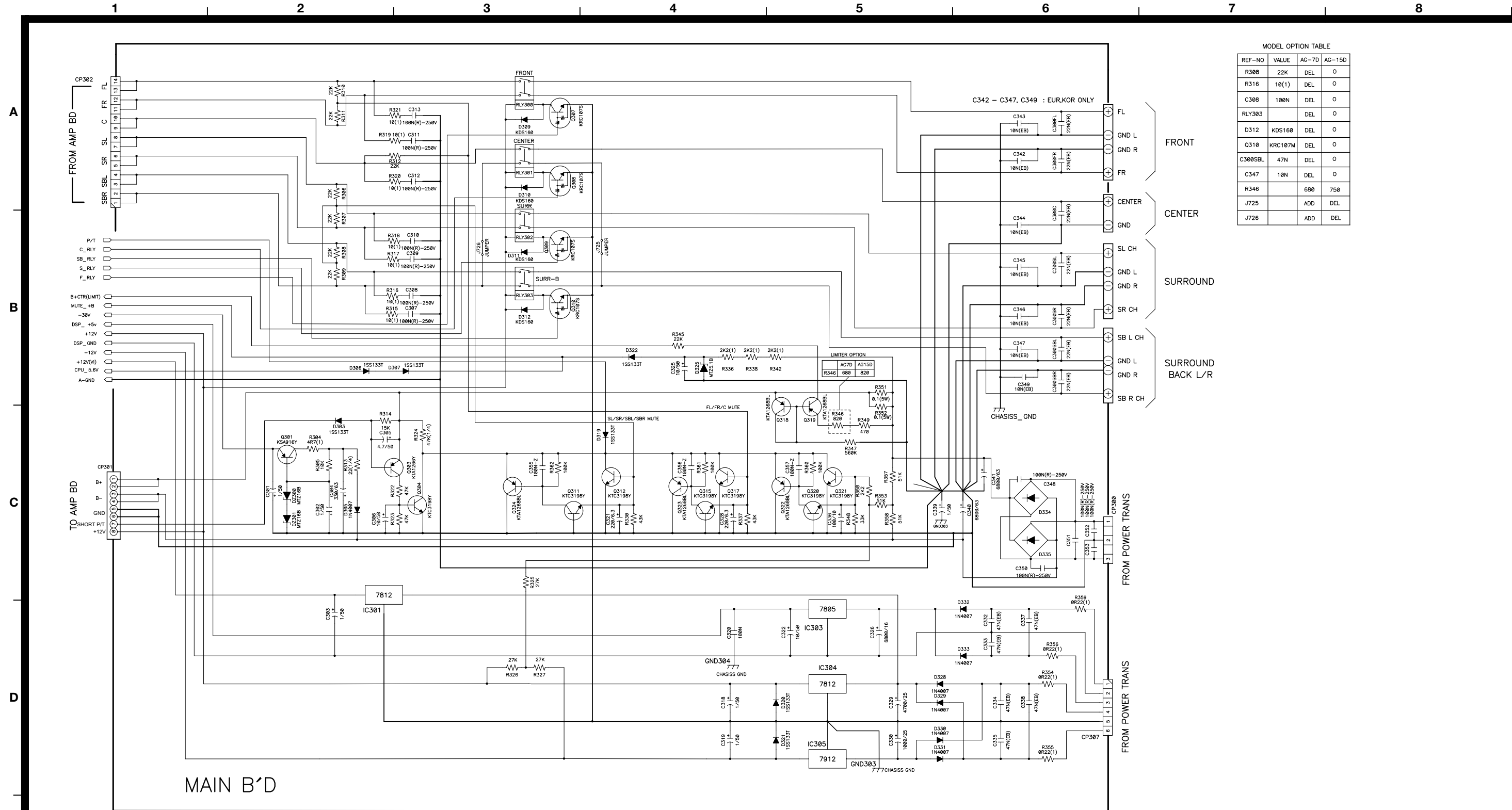


AG-15D/AG-7D

AV Digital Home Theater Receiver

1st Issue; November 2004

TEAC SCHEMATIC DIAGRAM AG-15D/AG-7D MAIN PCB (2/2)



MODEL OPTION TABLE

REF-NO	VALUE	AG-7D	AG-15D
R308	22K	DEL	0
R316	10(1)	DEL	0
C308	100N	DEL	0
RLY303		DEL	0
D312	KDS160	DEL	0
Q310	KRC107M	DEL	0
C300SBL	47N	DEL	0
C347	10N	DEL	0
R346	680	750	
J725		ADD	DEL
J726		ADD	DEL

AG-15D/AG-7D

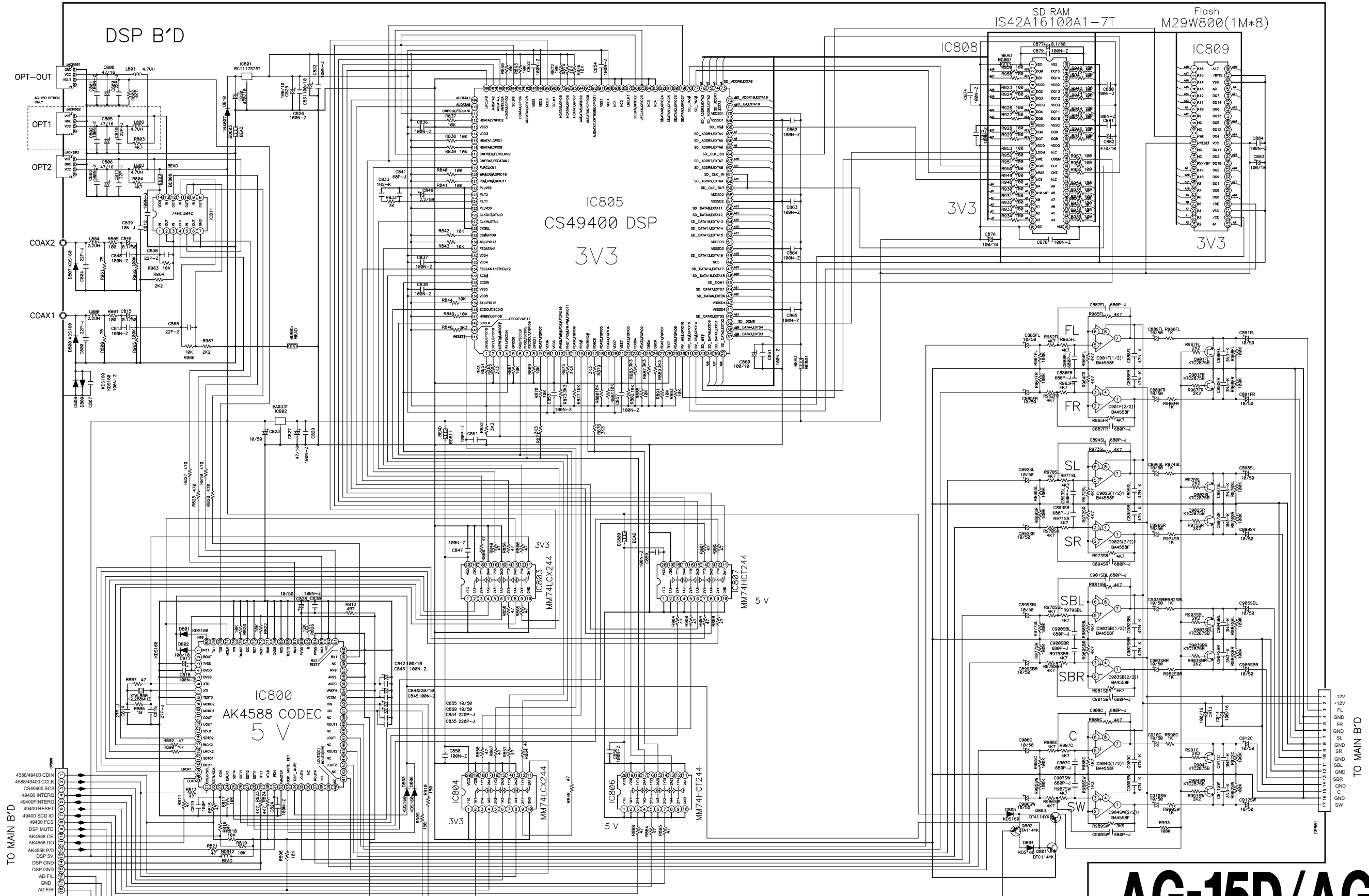
AV Digital Home Theater Receiver

1st Issue; November 2004

TEAC SCHEMATIC DIAGRAM AG-15D/AG-7D DSP PCB

1 2 3 4 5 6 7 8

A
B
C
D
E



AG-15D/AG-7D

AV Digital Home Theater Receiver

1st Issue; November 2004

TEAC SCHEMATIC DIAGRAM AG-15D/AG-7D VIDEO PCB, COMPONENT PCB, MIC PCB

1 2 3 4 5 6 7 8

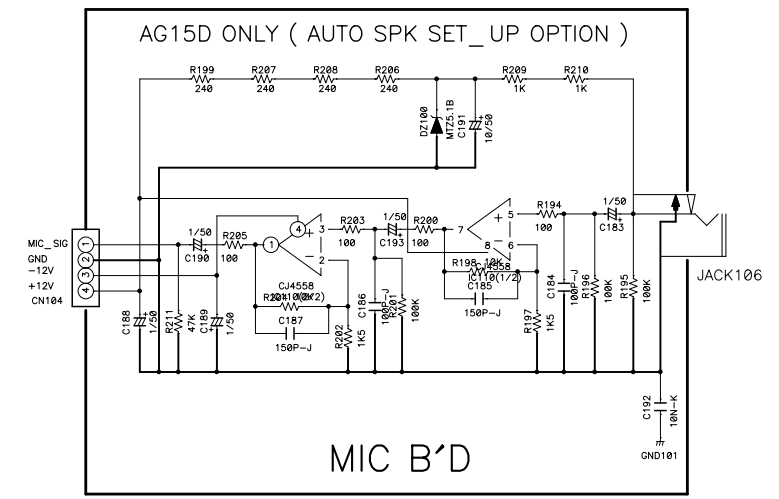
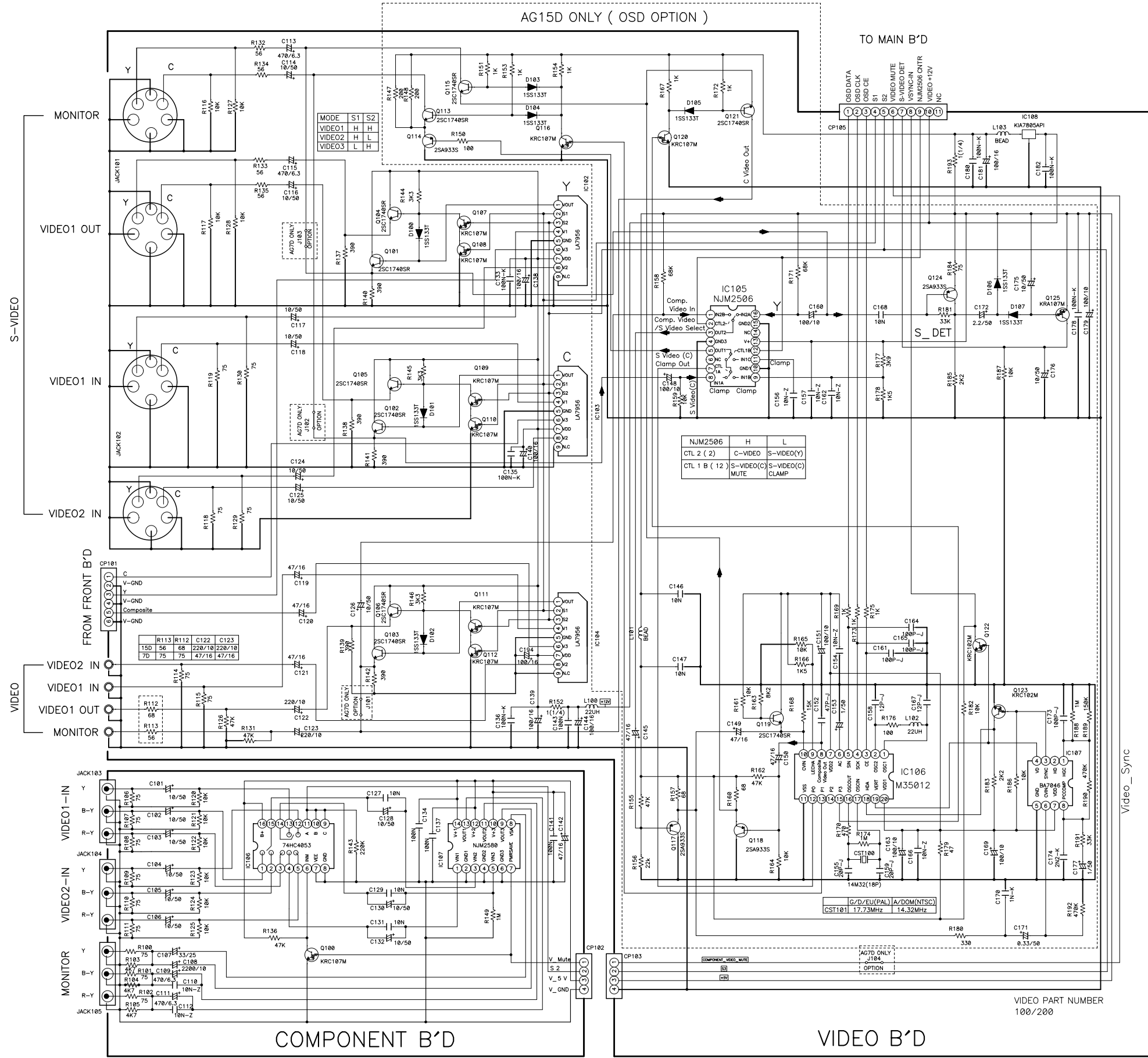
A

B

C

D

E

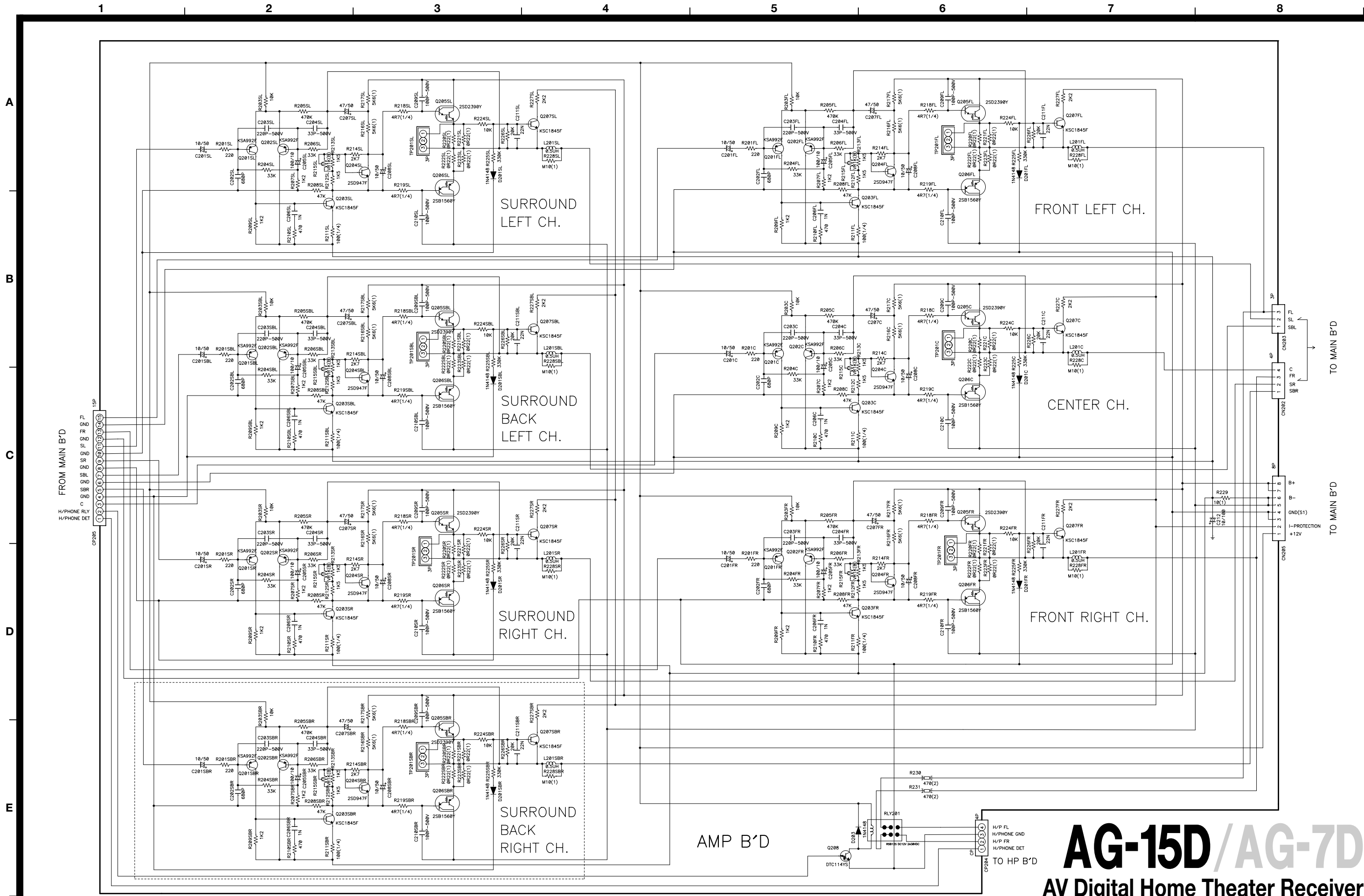


AG-15D/AG-7D

AV Digital Home Theater Receiver

1st Issue; November 2004

TEAC SCHEMATIC DIAGRAM AG-15D/AG-7D AMP PCB

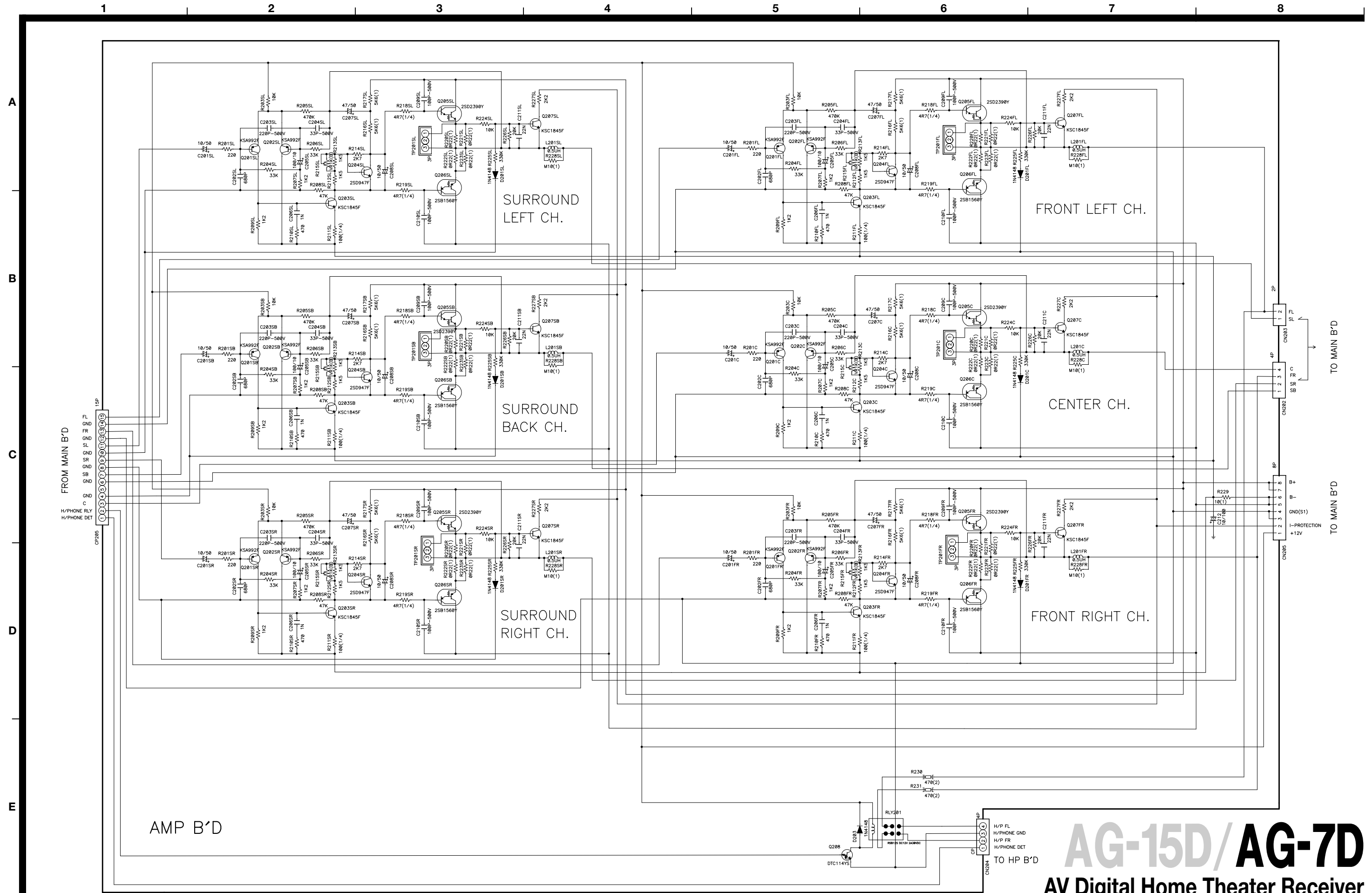


AG-15D/AG-7D

AV Digital Home Theater Receiver

1st Issue; November 2004

TEAC SCHEMATIC DIAGRAM **AG-15D/AG-7D** AMP PCB

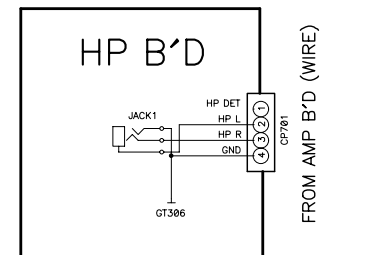
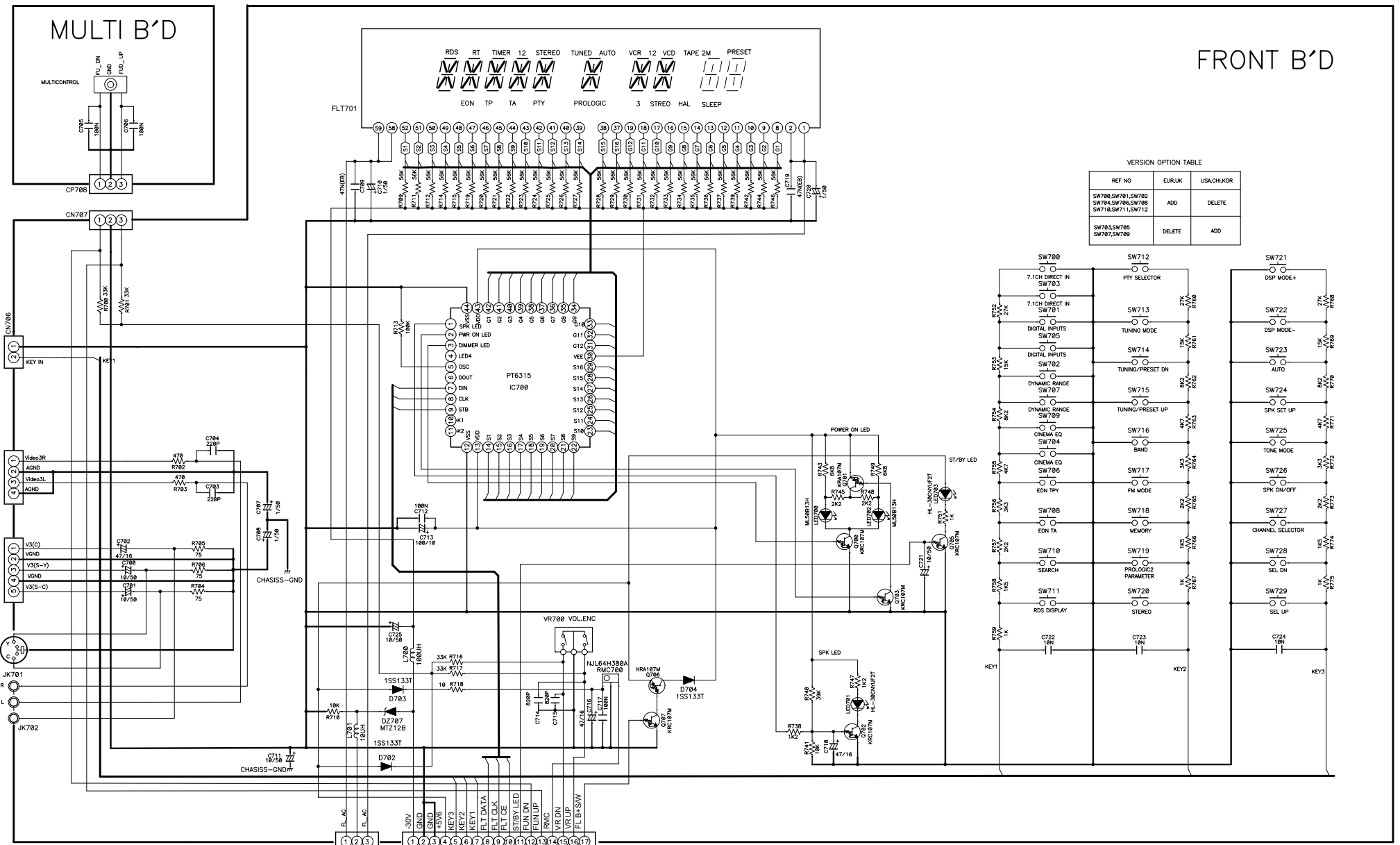


AG-15D/AG-7D
AV Digital Home Theater Receiver

TEAC SCHEMATIC DIAGRAM AG-15D/AG-7D ST/BY SW PCB, MULTI PCB, FRONT PCB, HP PCB, ST/BY PCB, POWER SW PCB

1 2 3 4 5 6 7 8

A
B
C
D
E

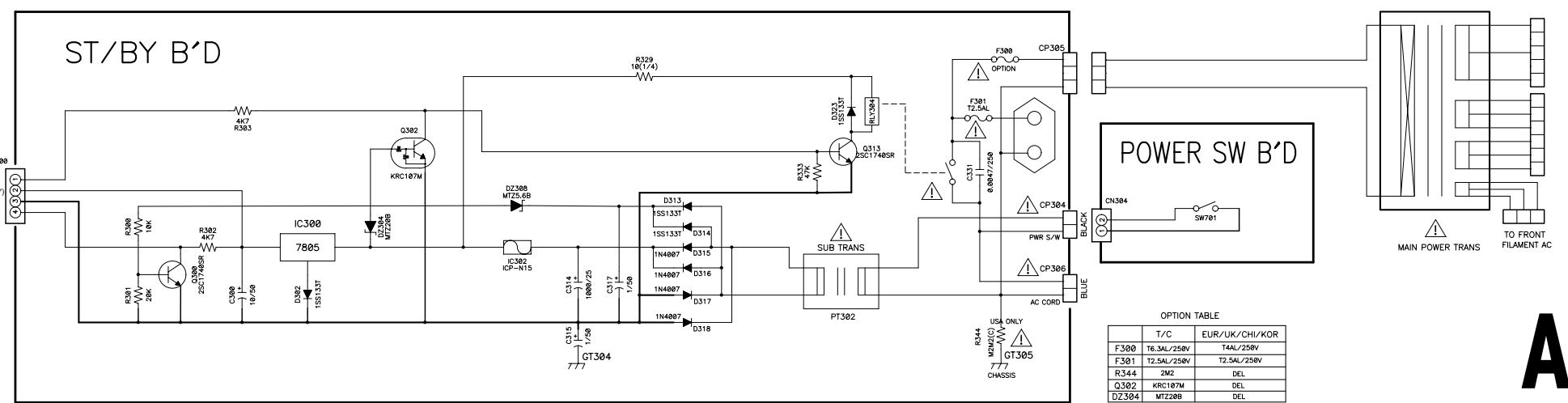


NOTES

- Resistor values are indicated in ohms unless otherwise specified
[k = 1,000 m = 1,000,000]
- Capacitor values are indicated in microfarads unless otherwise specified.
[p = micro-microfarads]
- : These resistor are to be segregated from printed wiring board or other accessible parts.

CAUTION
Safety precaution to be followed during servicing

- Since those parts marked with are critical parts for safety, use only the one described in the parts list
- Before returning the set to the customer make appropriate leakage current or resistance measurements to determine the exposed parts are properly insulated from the supply circuit.



OPTION TABLE

T/C	EUR/UK/CHI/KOR
F300	T4L/250V
F301	T2.5AL/250V
R344	2M2 DEL
Q302	KRC107M DEL
DZ304	MTZ20B DEL

AG-15D/AG-7D

AV Digital Home Theater Receiver