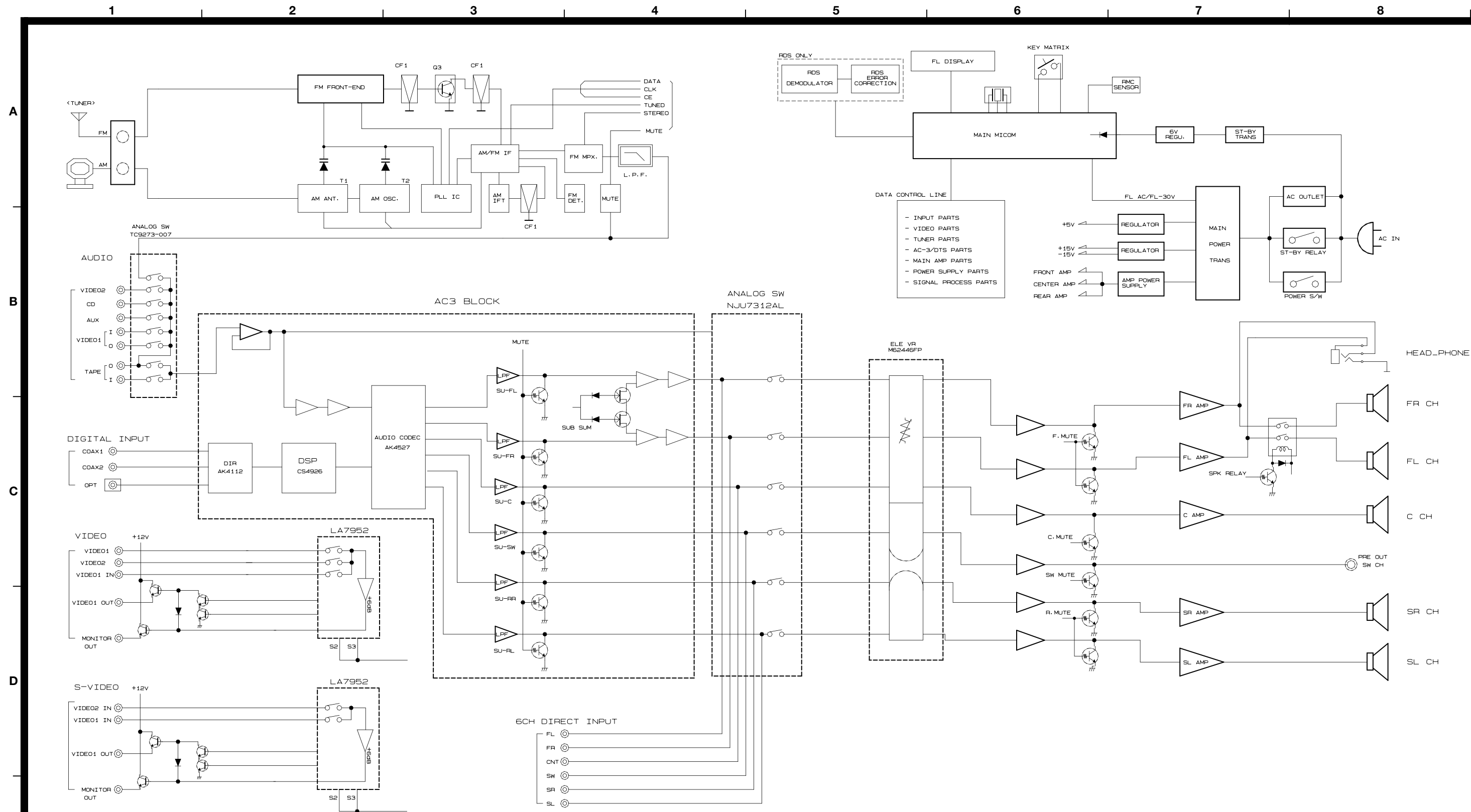


TEAC BLOCK DIAGRAM AG-5D

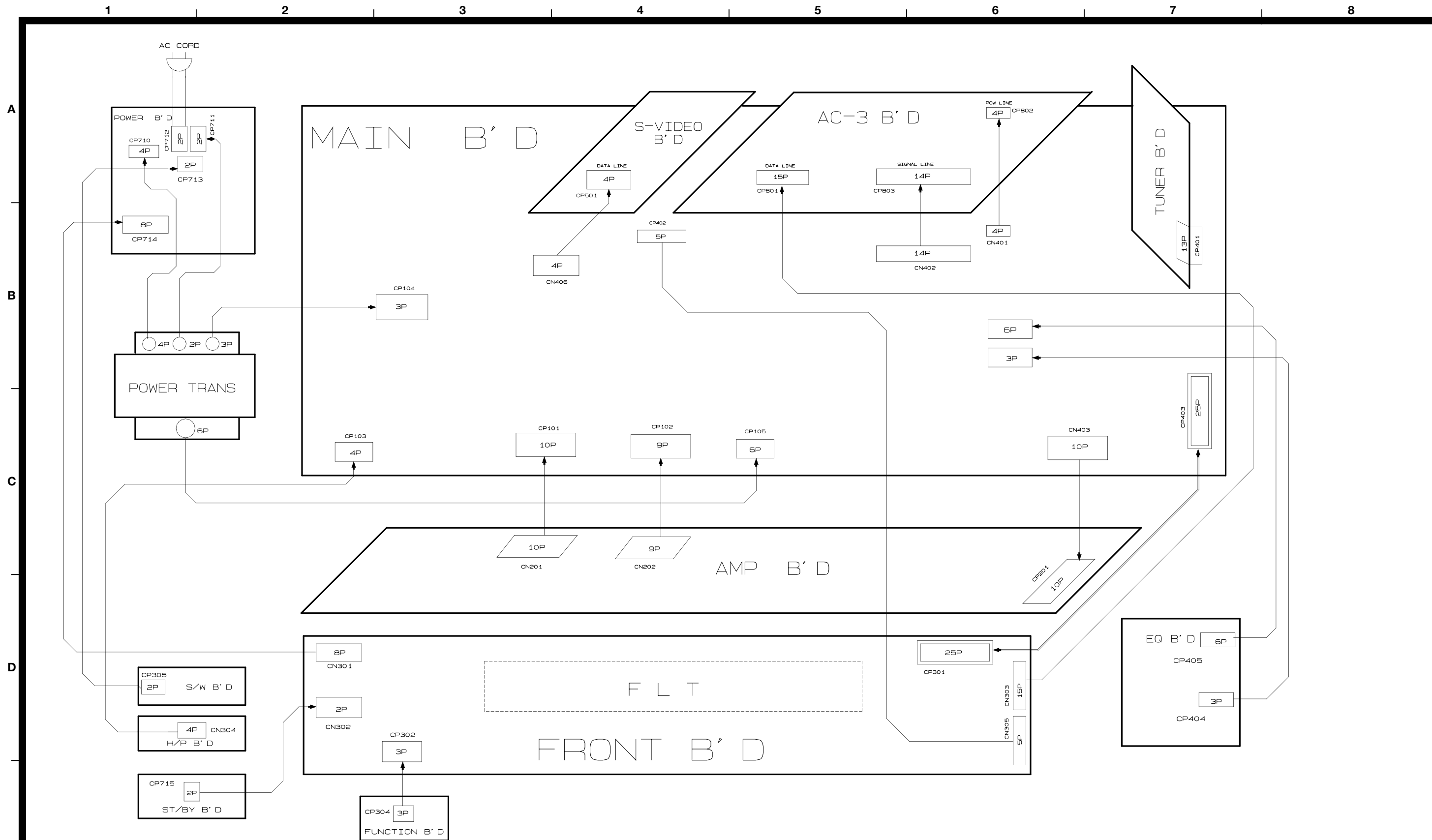


AG-5D

AV Digital Home Theater Receiver

1st Issue; January 2004

TEAC WIRING DIAGRAM AG-5D

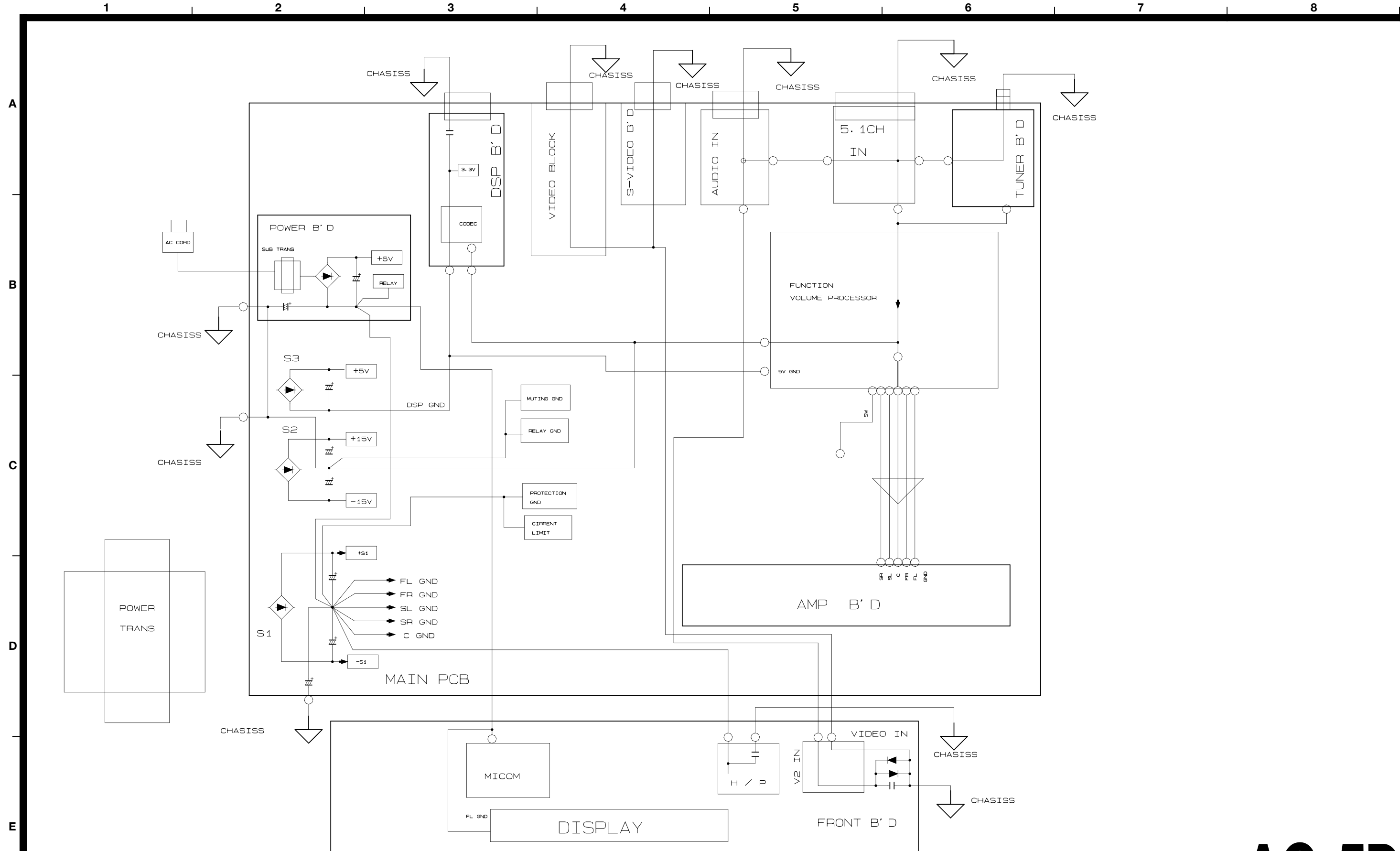


AG-5D

AV Digital Home Theater Receiver

1st Issue; January 2004

TEAC GROUND DIAGRAM AG-5D

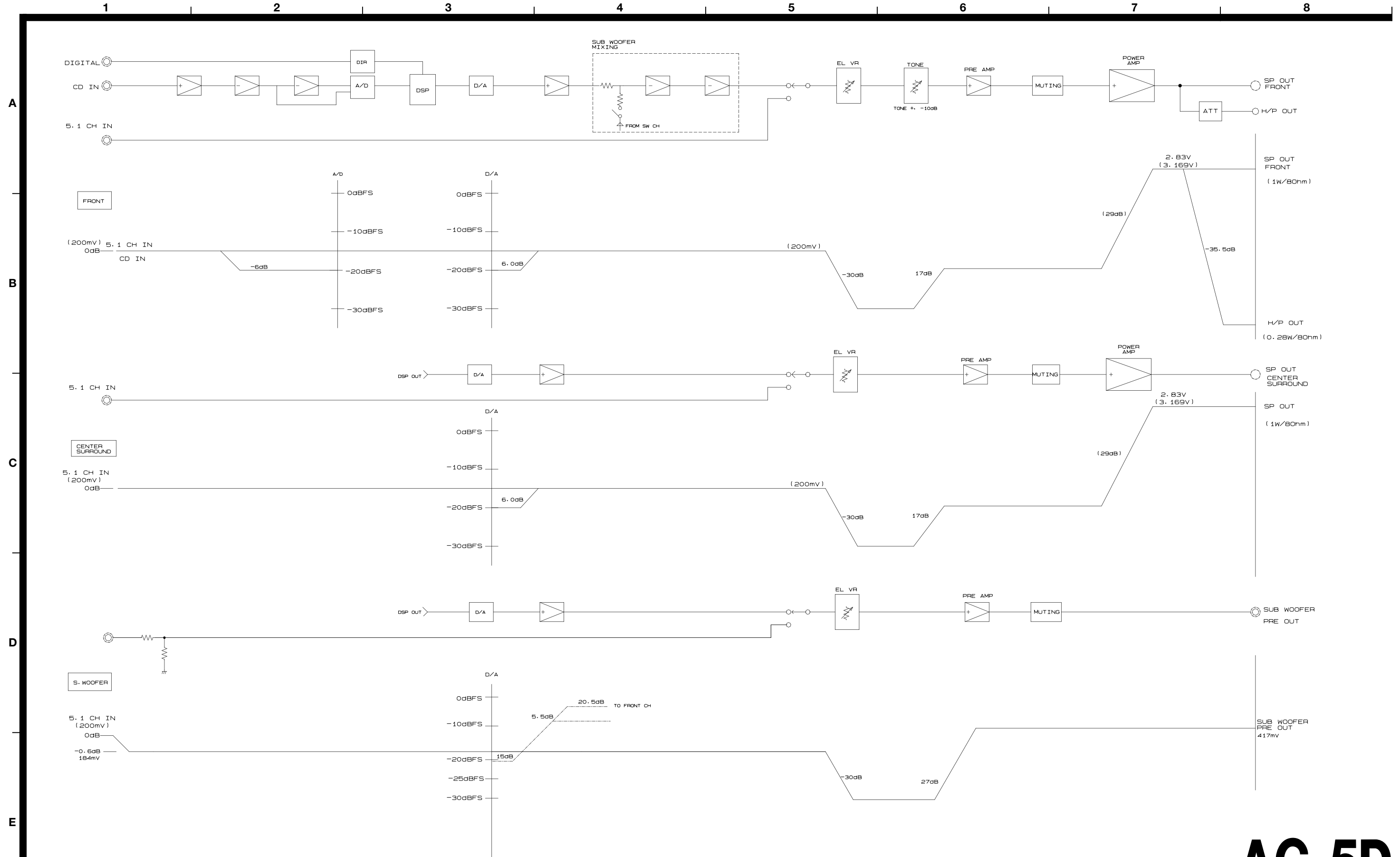


AG-5D

AV Digital Home Theater Receiver

1st Issue; January 2004

TEAC LEVEL DIAGRAM AG-5D



AG-5D

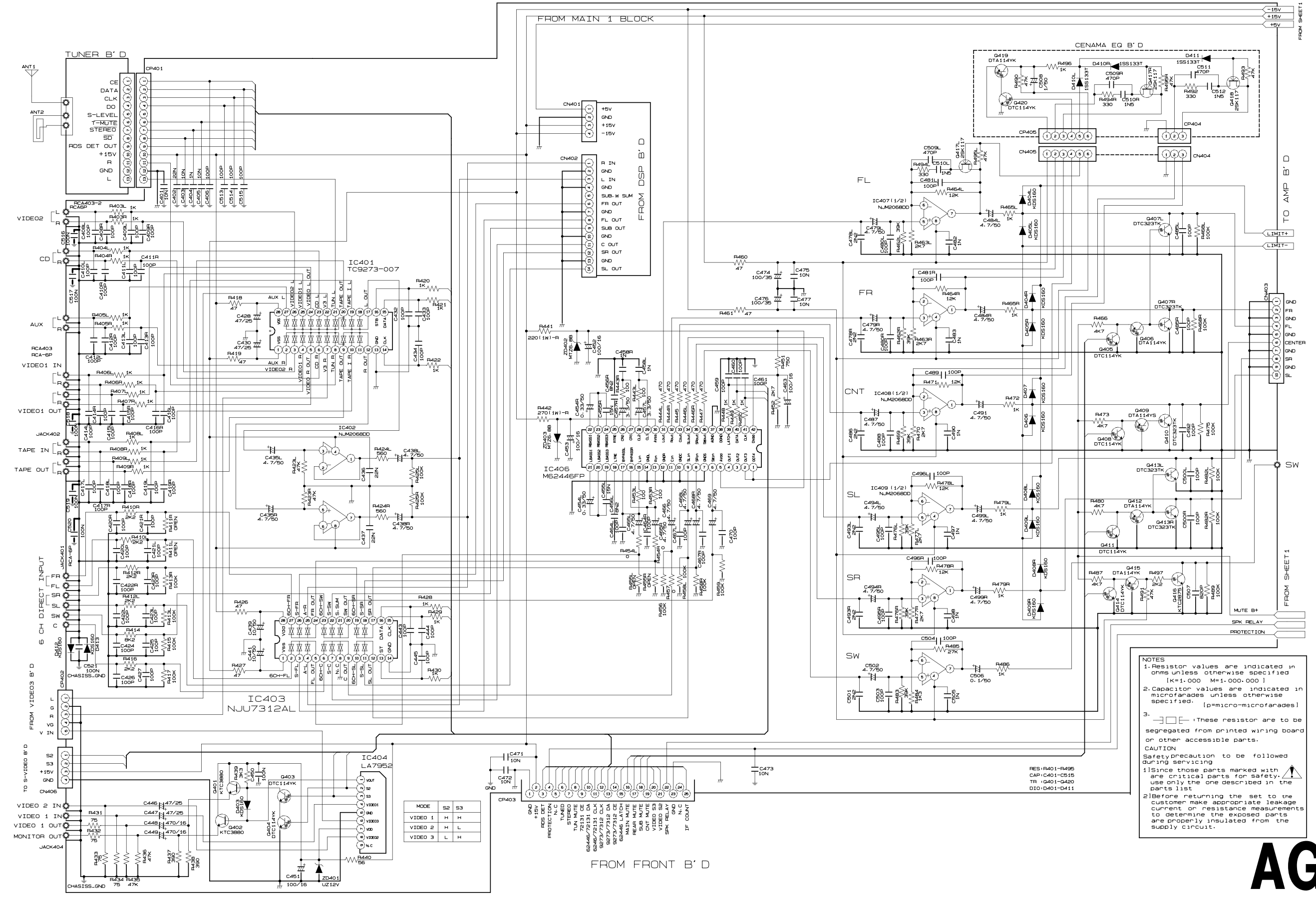
AV Digital Home Theater Receiver

1st Issue; January 2004

TEAC SCHEMATIC DIAGRAM AG-5D MAIN PCB (1/2), CINEMA EQ PCB

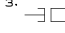
1 2 3 4 5 6 7 8

A
B
C
D
E



MODE	S2	S3
VIDEO 1	H	H
VIDEO 2	H	L
VIDEO 3	L	H

NOTES

- Resistor values are indicated in ohms unless otherwise specified. [k=1,000 M=1,000,000]
- Capacitor values are indicated in microfarads unless otherwise specified. [p=micro-microfarads]
- : These resistors are to be segregated from printed wiring board or other accessible parts.

CAUTION
Safety precaution to be followed during servicing.

1) Since those parts marked with a triangle are critical parts for safety, use only the one described in the parts list.

2) Before returning the set to the customer make appropriate leakage current or resistance measurements to determine the exposed parts are properly insulated from the supply circuit.

RES: R401-R499
CAP: C401-C515
TR: Q401-Q420
DIO: D401-D411

AG-5D

AV Digital Home Theater Receiver

1st Issue; January 2004

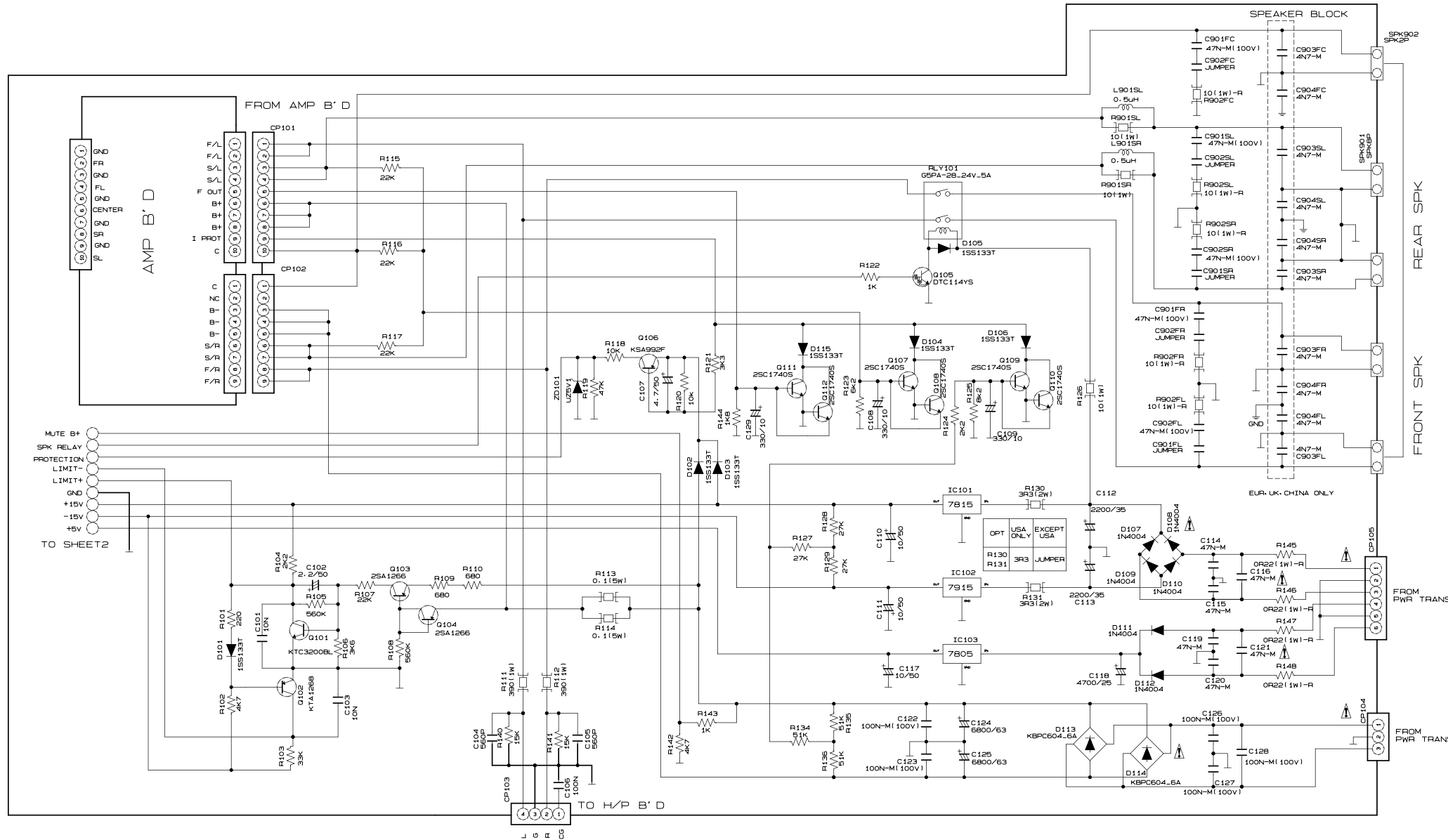
A

B

C

D

E

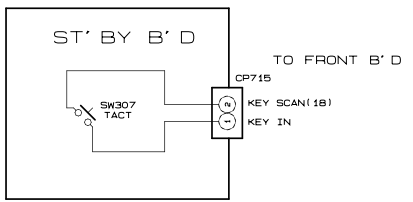
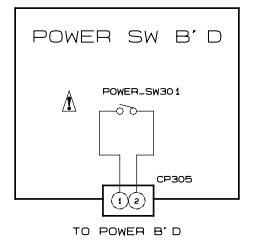
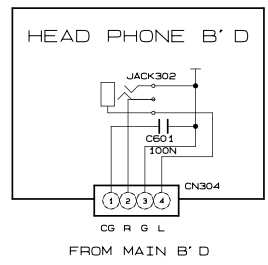


NOTES

1. Resistor values are indicated in ohms unless otherwise specified [K=1,000 M=1,000,000]
2. Capacitor values are indicated in microfarads unless otherwise specified. [p=micro-microfarads]
3. : These resistor are to be segregated from printed wiring board or other accessible parts.

CAUTION
Safety precaution to be followed during servicing

- 1) Since those parts marked with are critical parts for safety, use only the one described in the parts list
- 2) Before returning the set to the customer make appropriate leakage current or resistance measurements to determine the exposed parts are properly insulated from the supply circuit.



AG-5D

AV Digital Home Theater Receiver

1st Issue, January 2004

TEAC SCHEMATIC DIAGRAM AG-5D DSP PCB

1 2 3 4 5 6 7 8

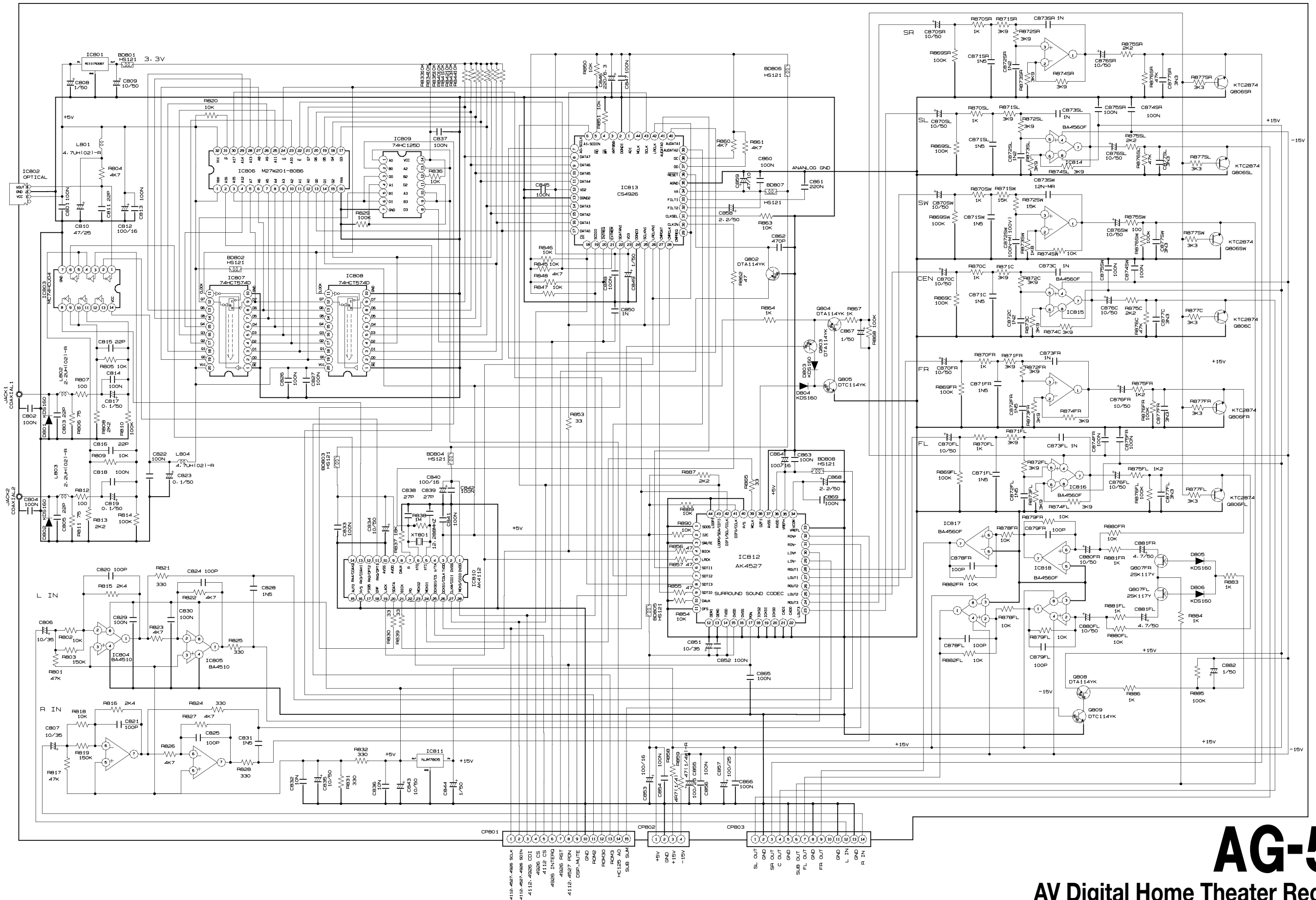
A

B

C

D

E



AG-5D

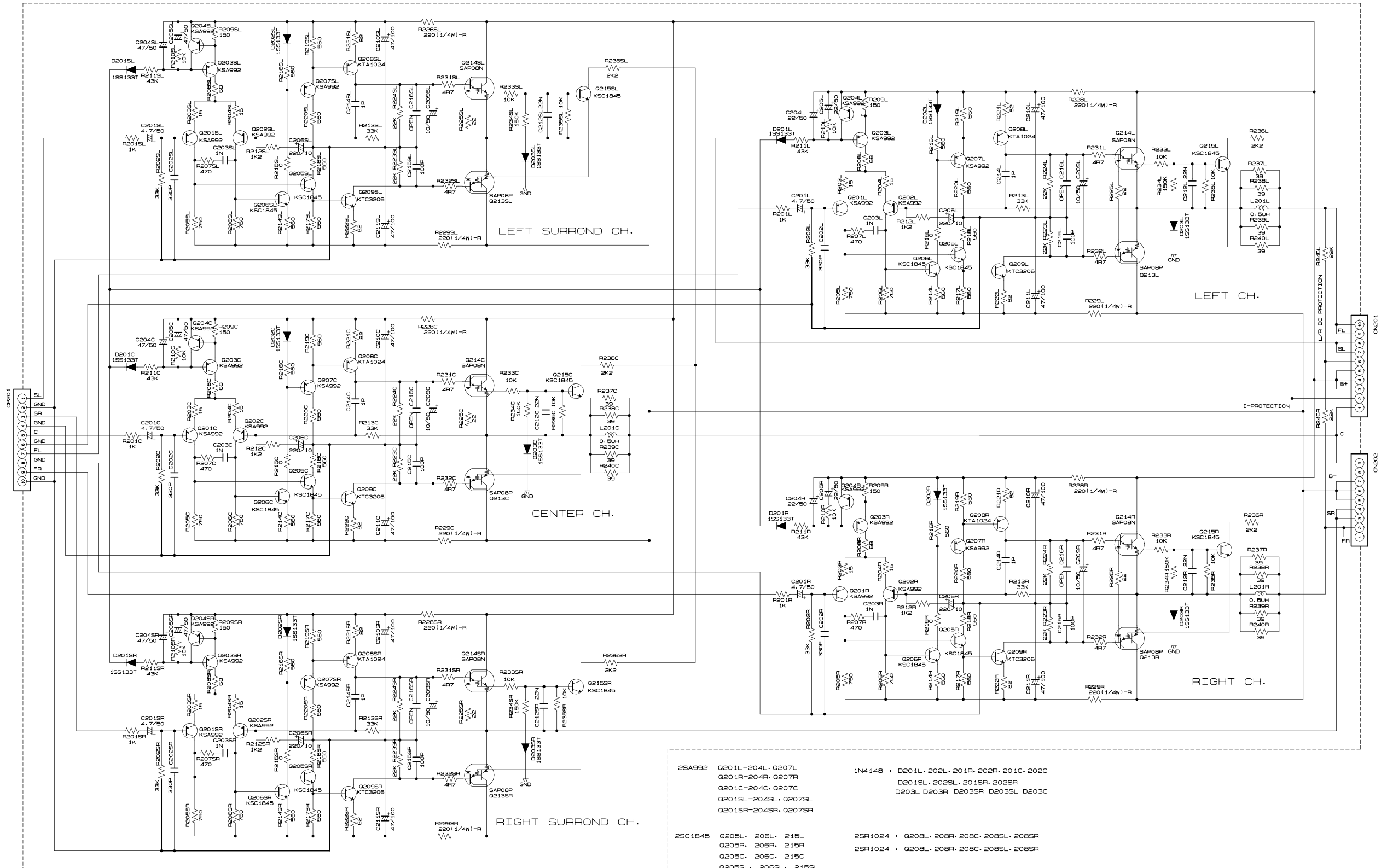
AV Digital Home Theater Receiver

1st Issue; January 2004

TEAC SCHEMATIC DIAGRAM AG-5D AMP PCB

1 2 3 4 5 6 7 8

A
B
C
D
E



- | | | | |
|---------|---|---------|--|
| 2SA992 | Q201L-204L, Q207L
Q201R-204R, Q207R
Q201C-204C, Q207C
Q201SL-204SL, Q207SL
Q201SR-204SR, Q207SR | 1N4148 | D201L, 202L, 201R, 202R, 201C, 202C
D201S, 202S, 201SR, 202SR
D203L, D203R, D203SR, D203SL, D203CR |
| 2SC1845 | Q205L, 206L, 215L
Q205R, 206R, 215R
Q205C, 206C, 215C
Q205SL, 206SL, 215SL
Q205SR, 206SR, 215SR | 2SR1024 | Q208L, 208R, 208C, 208SL, 208SR |
| | | 2SR1024 | Q208L, 208R, 208C, 208SL, 208SR |

TEAC SCHEMATIC DIAGRAM AG-5D FRONT PCB, FUNCTION PCB

1 2 3 4 5 6 7 8

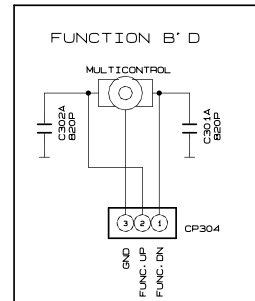
A

B

C

D

E



FROM FUNCTION B'D

FROM POWER B'D

FROM ST/BY B'D

4112/4527/4926 CLK

4112/4527/4926 SOI

4112/4926 C01

4926 CS

4112CS

4926 INTERQ

4926 RST

4112/4527 PPN

DSP MUTE

GND

ROM2

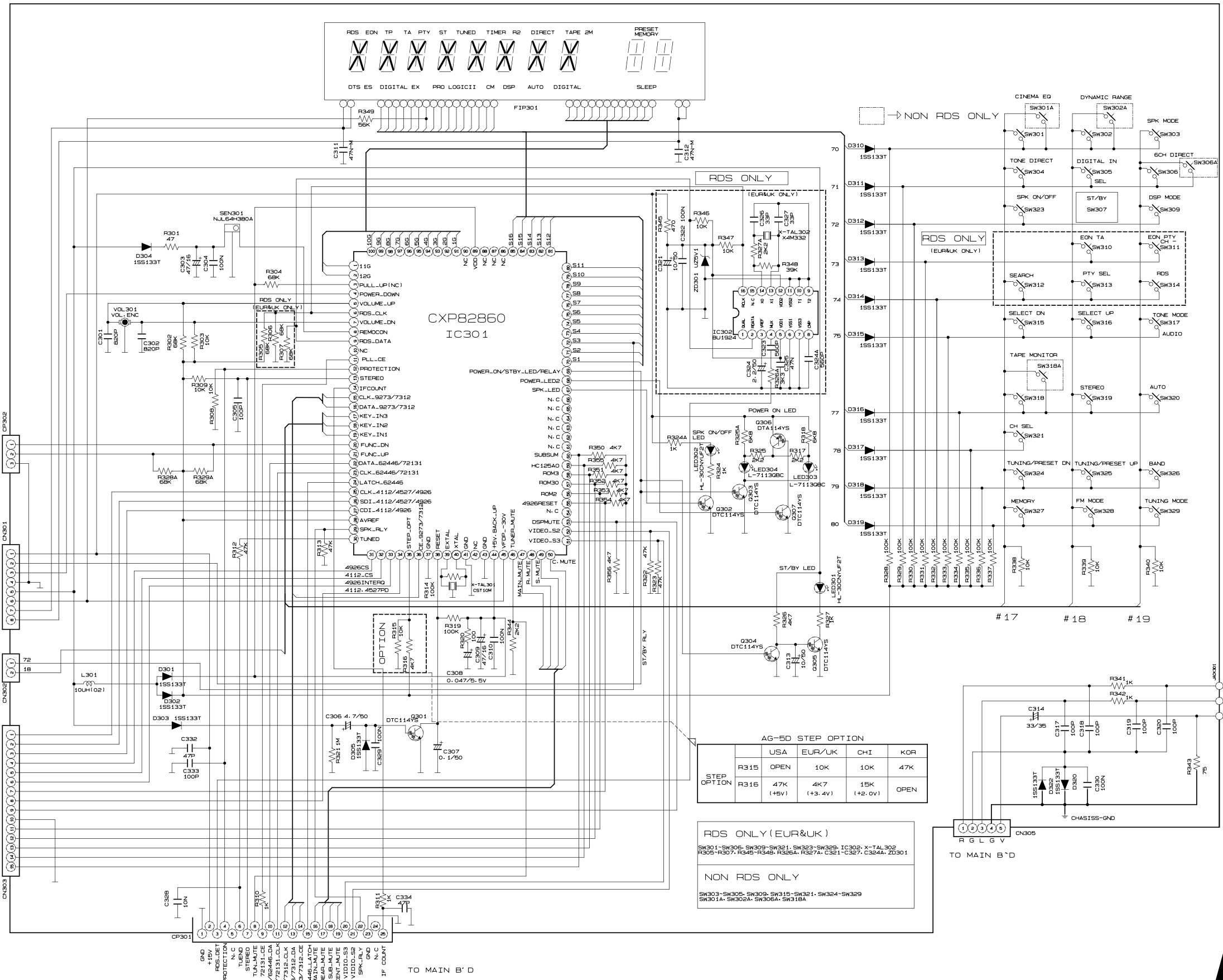
ROM3

HC125A0

SUB SUM

TO DSP B'D

TO MAIN B'D



AG-5D STEP OPTION

STEP OPTION	USA	EUR/UK	CHI	KOR
R315	OPEN	10K	10K	47K
R316	47K (+5V)	4K7 (+3.4V)	15K (+2.0V)	OPEN

RDS ONLY (EUR&UK)
 SW301-SW306, SW309-SW321, SW323-SW329, IC302, X-TAL302
 R305-R307, R346-R348, R326A, R327A, C321-C327, C324A, ZD301

NON RDS ONLY
 SW303-SW305, SW309, SW315-SW321, SW324-SW329
 SW301A, SW302A, SW306A, SW318A

AG-5D

AV Digital Home Theater Receiver

1st Issue, January 2004

TEAC SCHEMATIC DIAGRAM AG-5D TUNER PCB

1 2 3 4 5 6 7 8

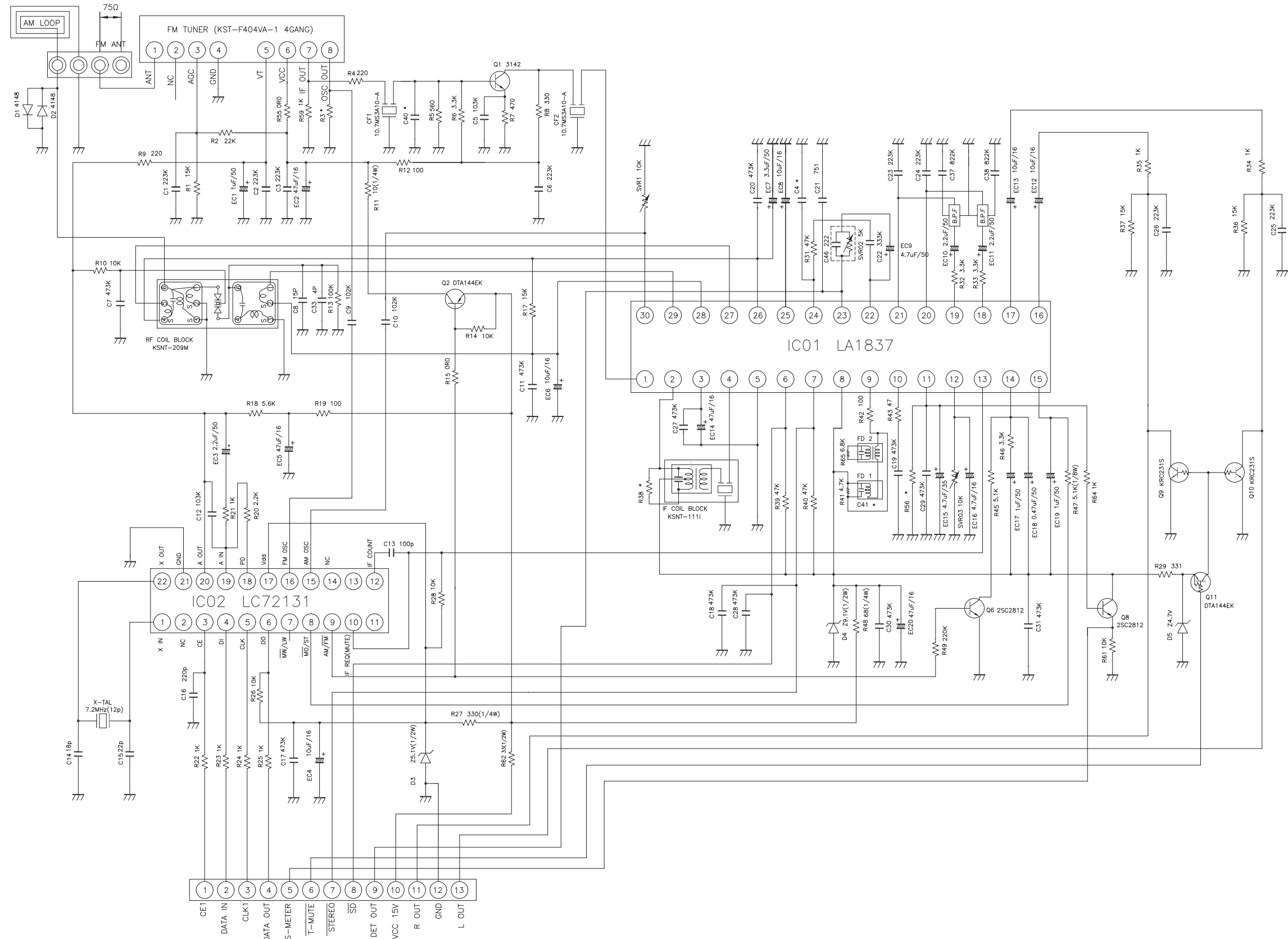
A

B

C

D

E



AG-5D

AV Digital Home Theater Receiver

1st Issue, January 2004

TEAC SCHEMATIC DIAGRAM AG-5D S-VIDEO PCB, POWER PCB

1 2 3 4 5 6 7 8

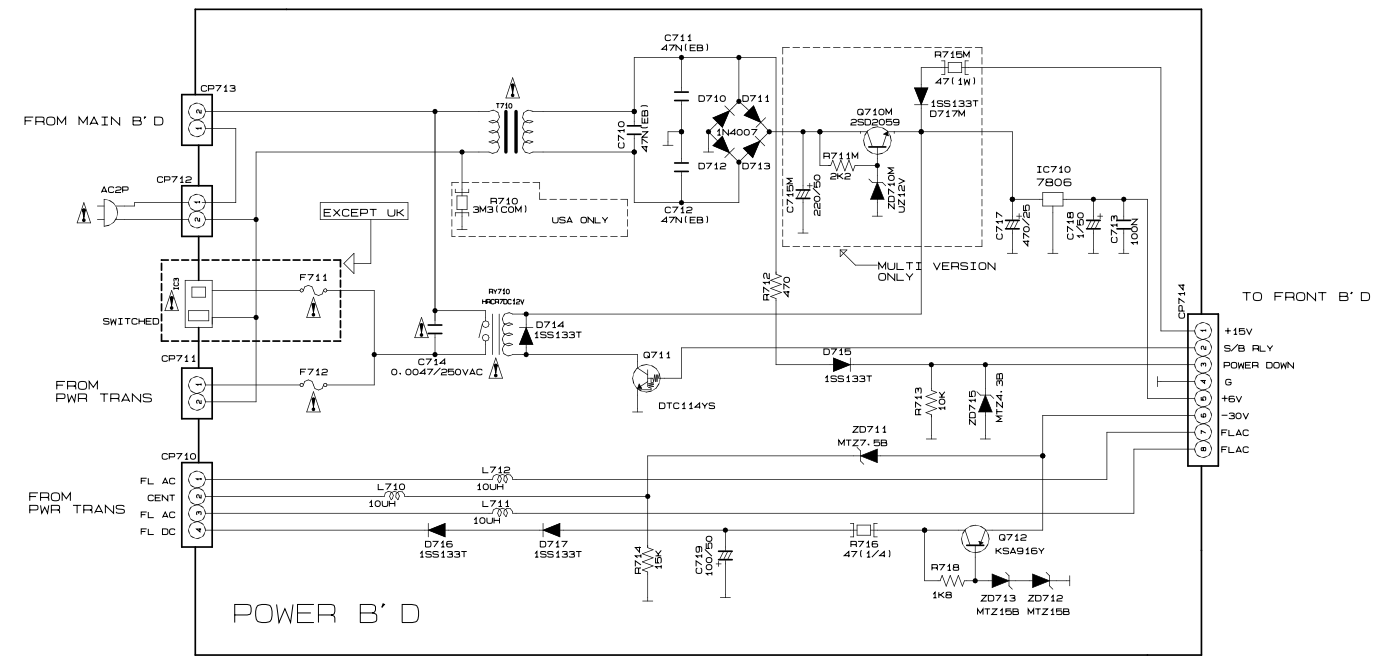
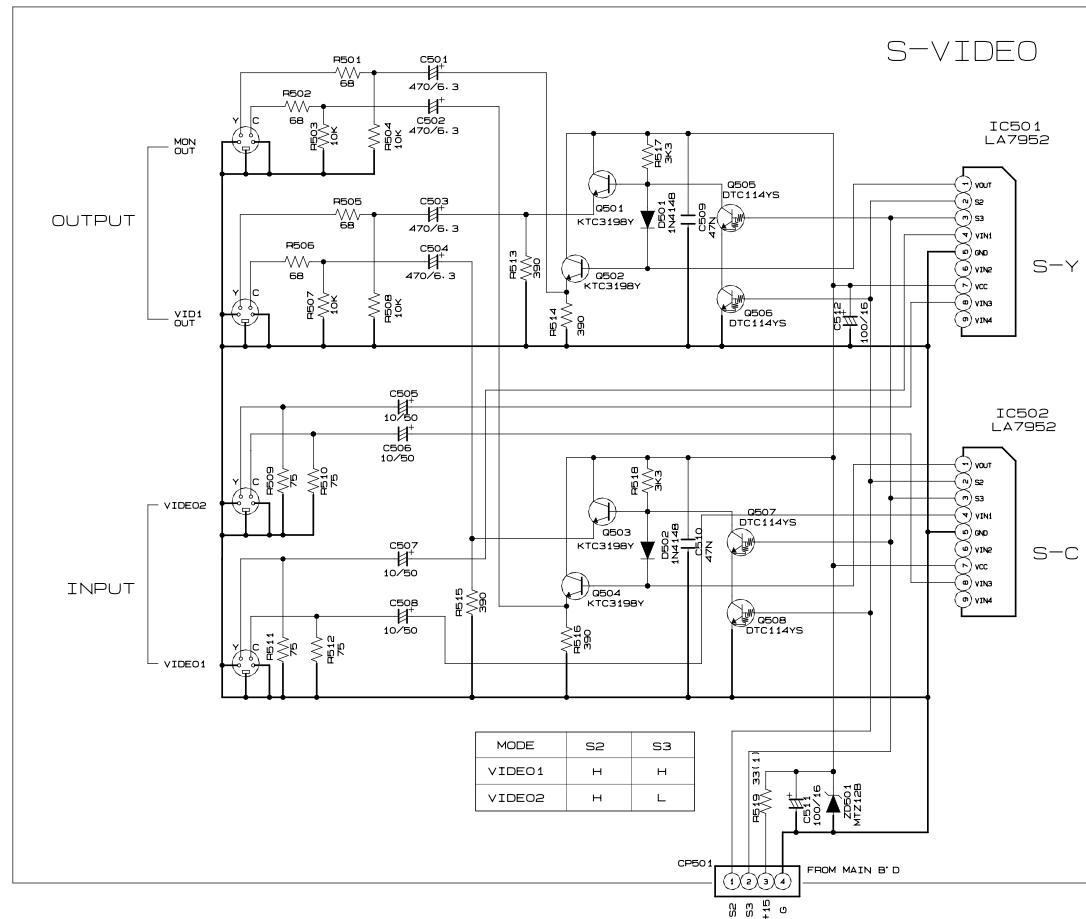
A

B

C

D

E



AREA	F712	F711
USA	S86A / 125V	S82.5A / 250V
EUR	T4AL / 250V	T2.5AL / 250V
UK	T4AL / 250V	—
CHINA	T4AL / 250V	T2.5AL / 250V
KOREA	T4AL / 250V	T2.5AL / 250V

INSTRUCTIONS FOR SERVICE PERSONNEL
 BEFORE RETURNING APPLIANCE TO THE CUSTOMER, MAKE LEAKAGE-CURRENT OR RESISTANCE MEASUREMENTS TO DETERMINE THAT EXPOSED PARTS ARE ACCEPTABLY INSULATED FROM THE SUPPLY CIRCUIT.