

# TEAC



## SERVICE MANUAL

# AG-5D

### AV Digital Home Theater Receiver



#### CONTENTS

1 SPECIFICATIONS .....	2
2 ADJUSTMENTS AND CHECKS .....	3
3 MICROCOMPUTER PIN FUNCTIONS .....	5
4 EXPLODED VIEWS AND PARTS LIST .....	8
5 PC BOARDS AND PARTS LIST .....	11
6 INCLUDED ACCESSORIES .....	24

#### NOTES

- PC boards shown are viewed from parts side.
- The parts with no reference number or no parts number in the exploded views are not supplied.
- As regards the resistors and capacitors, refer to the circuit diagrams contained in this manual.
- ⚠ Parts marked with this sign are safety critical components. They must be replaced with identical components - refer to the appropriate parts list and ensure exact replacement.
- Parts of [ ] mark can be used only with the version designated.  
[E]:EUROPE [UK]:U.K.

# 1 SPECIFICATIONS

## Amplifier Section

Output Power .....100 W + 100 W  
(Stereo, 0.2 % THD, 20 Hz to 20 kHz, 6  $\Omega$ )

Surround Output Power .....125 W per channel  
(0.7 % THD, 1 kHz, 6  $\Omega$ , only one channel driven)

Total Harmonic Distortion .....0.09 % (at 95 W, 1 kHz, 6  $\Omega$ )

Audio Input Sensitivity/Impedance .....\*LINE: 200 mV/47 k $\Omega$

Output Level/Impedance (TAPE REC) .....200 mV / 2.2 k $\Omega$

Frequency Response .....\*LINE: 20 Hz – 50 kHz, +0 / –3 dB

Signal-to-Noise Ratio .....\*LINE: 90 dB (IHF-A)

Tone Control .....BASS:  $\pm$  10 dB at 100 Hz  
TREBLE:  $\pm$  10 dB at 10 kHz

## Digital Audio Section

Sampling Frequency .....32 kHz, 44.1 kHz, 48 kHz, 96 kHz

Digital Input Level .....COAXIAL (75  $\Omega$ ): 0.5 Vp-p  
OPTICAL (660nm): –15 dBm to –21 dBm

## Video Section

S-Video Output

Y (luminance) - Output level .....1 Vp-p (75  $\Omega$ )

C (color) - Output level.....286 mVp-p (75  $\Omega$ )

Jacks .....S-VIDEO jack

Video Output

Output level .....1 Vp-p (75  $\Omega$ )

Jacks .....RCA jack

## FM Tuner Section

(Without notes 100.1 MHz, 65 dBf)

Tuning Range .....87.5 MHz – 108.0 MHz, 50 kHz steps

Total Harmonic Distortion (1 kHz) .....Mono: 0.5%, Stereo: 0.8%

Frequency Response.....30 Hz – 15 kHz,  $\pm$ 3 dB

Stereo Separation (1 kHz).....40 dB

Signal-to-Noise Ratio .....Mono: 70 dB, Stereo: 65 dB

## AM Tuner Section

Tuning Range .....522 kHz – 1,611 kHz, 9 kHz steps

Usable Sensitivity .....500  $\mu$ V/m

Total Harmonic Distortion .....1.5% at 100 dB/m

Signal-to-Noise Ratio .....40 dB at 100 dB/m

## General

Power Requirements .....AC 230 V, 50 Hz

Power Consumption .....200 W (STANDBY : 3 W)

AC Outlet (except U.K. model, total 100 W max.) .....switched x 1

Dimensions (W x H x D) .....435 x 143 x 372 mm

Weight (net) .....10.0 kg

## Standard Accessories

Power Cord x 1

AM Loop Antenna x 1

FM T-type Antenna x 1

FM Matching Transformer x 1

Remote Control Unit (UR-422) x 1

Battery (AAA, R03, UM-4) x 2

Owner's Manual x 1

\* LINE means CD, TAPE, VIDEO.

- Design and specifications are subject to change without notice.
- Weight and dimensions are approximate.

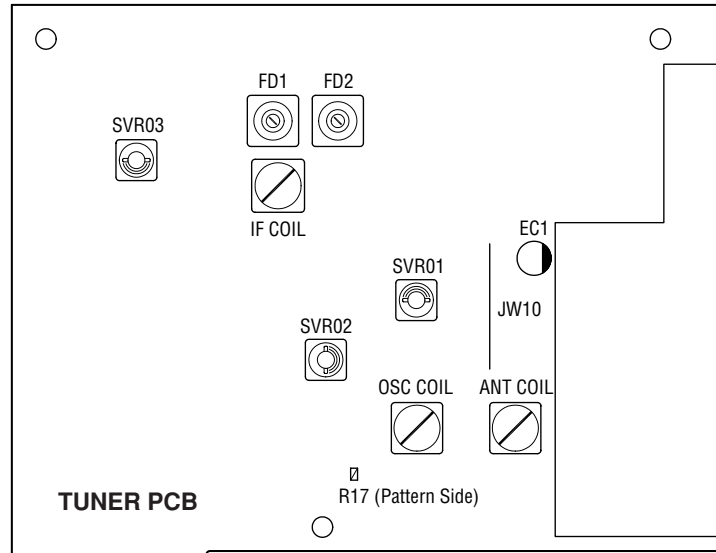
## 2 ADJUSTMENTS AND CHECKS

### 2-1 Equipment Required

- AM Standard Signal Generator (AM SSG)
- FM Standard Signal Generator (FM SSG)
- Oscilloscope
- AC Voltmeter
- Audio Generator
- Stereo Modulator
- Distortion Meter
- DC Voltmeter

Note : Disconnect external FM antenna prior to adjustment.

### 2-2 Adjustment Locations



### 2-3 AM Adjustment

- Output of signal generator should not be greater than necessary to obtain an optimum output reading.
- Signal generator modulation : 30%
- Signal frequency : 400Hz
- Modulation frequency : 603kHz, 999kHz, 1404kHz

ITEM	SIGNAL GENERATOR SETTING	SET FREQUENCY SETTING	EQUIPMENT CONNECTION	ADJUSTMENT POINTS	ADJUST FOR
<b>1. Tuning Voltage</b>	522kHz 1611kHz	522kHz 1611kHz	JW10 DC Voltmeter	OSC COIL	522kHz : $1.2 \pm 0.1V$ 1611kHz : 7.2~8.5V
<b>2. IF Tracking</b>	603kHz	603kHz	TAPE PLAY terminal AC Voltmeter Oscilloscope	IF COIL	Maximize audio output
<b>3. RF Tracking</b>	603kHz	603kHz	TAPE PLAY terminal AC Voltmeter Oscilloscope	ANT COIL	Maximize audio output Repeat LOW,HIGH frequency
<b>4. Seek Level</b>	603kHz	603kHz	TAPE PLAY terminal AC Voltmeter Oscilloscope	SVR03	Tuned on point

## 2-4 FM Adjustment

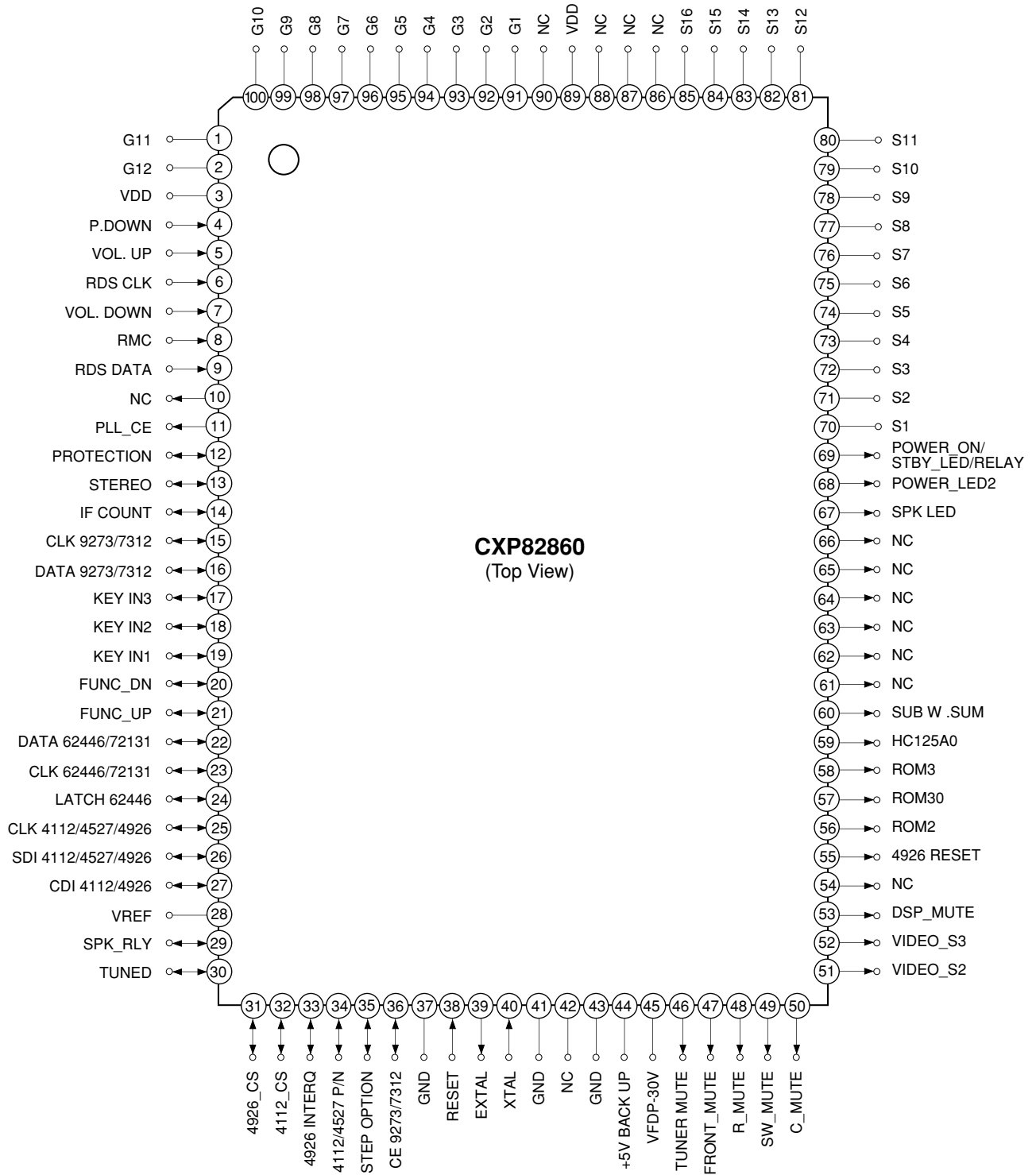
- Output of signal generator should not be greater than necessary to obtain an optimum output reading.
- Signal generator modulation : MAIN : 90%, PILOT : 10%
- Signal frequency : 1kHz, Deviation : 40kHz
- Modulation frequency : 90.1MHz, 98.1MHz, 106.1MHz

ITEM	SIGNAL GENERATOR SETTING	SET FREQUENCY SETTING	EQUIPMENT CONNECTION	ADJUSTMENT POINTS	ADJUST FOR
<b>1. Tuning Voltage</b>	87.5MHz 108MHz	87.5MHz 108MHz	EC1 DC Voltmeter	Check	87.5MHz : 1.35~1.65V 108MHz : 6.5~8.5V
<b>2. FM DET and Distortion</b>	98.1MHz	98.1MHz	R17 DC Voltmeter TAPE PLAY terminal AC Voltmeter Oscilloscope	FD1, FD2	0V and minimize distortion
<b>3. Stereo Separation</b>	98.1MHz	98.1MHz	TAPE PLAY terminal AC Voltmeter Oscilloscope	SVR02	Minimize stereo distortion and maximize separation
<b>4. Seek Stop Level</b>	98.1MHz	98.1MHz	TAPE PLAY terminal AC Voltmeter Oscilloscope	SVR01	Scan stop point to 18dBu "TUNED" indicator lights on FL display.



# 3 MICROCOMPUTER PIN FUNCTIONS

## 3-1 Pin Assignment

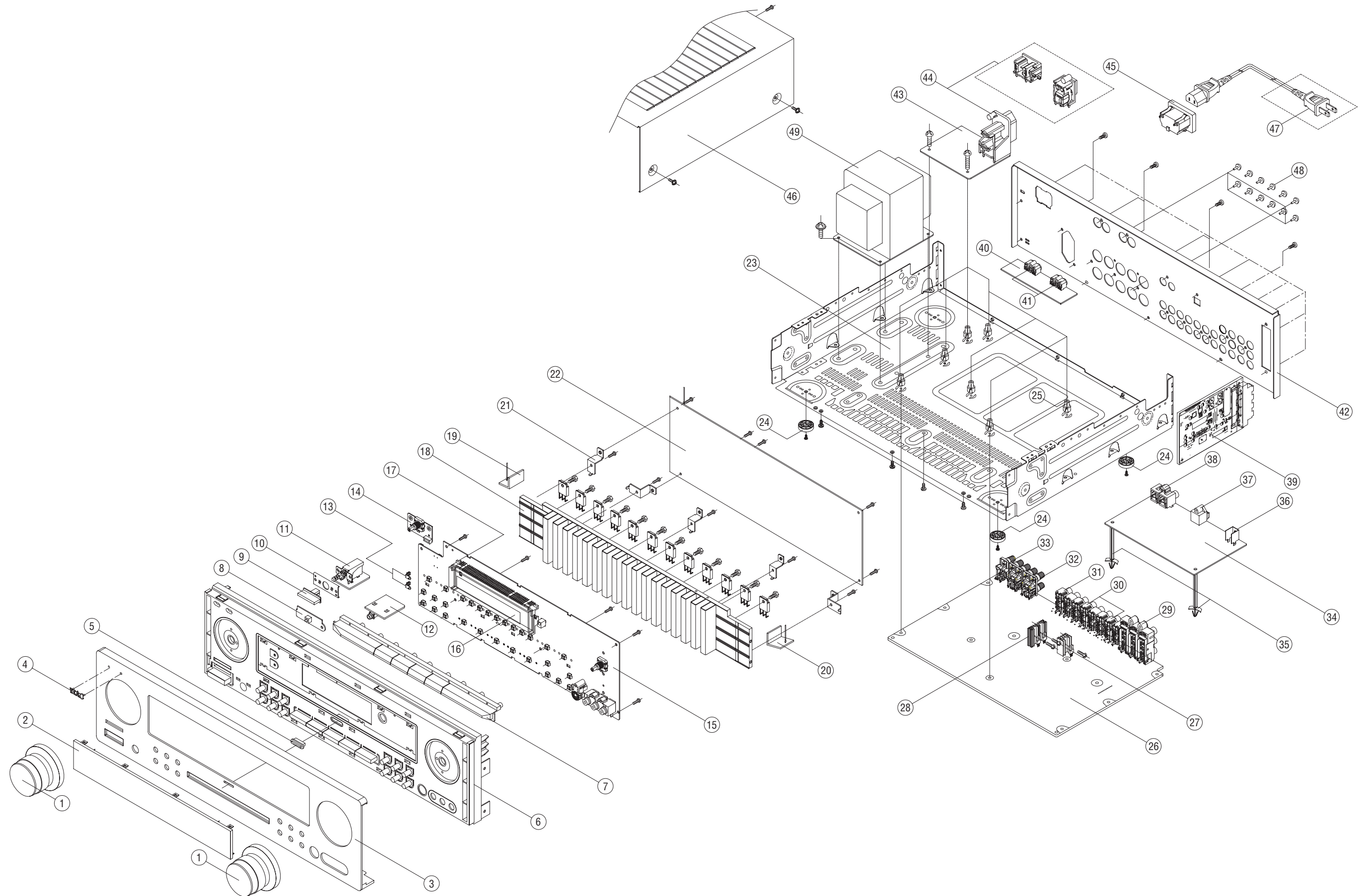


### 3-2 Pin Functions

Pin No.	Symbol	Description
1~2	G1/G2	GRID FL PORT
3	VDD	PULL UP(N.C)
4	P.DOWN	Input for power down.
5	VOL. UP	Input for main volume up.
6	RDS CLK	Clock signal output for BU1924.
7	VOL. DOWN	Input for main volume down.
8	RMC	Input for remocon data.
9	RDS DATA	Input for RDS data of BU1924.
10	NC	Not used!
11	PLL_CE	Clock signal output for 72131.
12	PROTECTION	Input for detecting "PROTECTION" condition.
13	STEREO	Input for detecting "STEREO" condition.
14	IF COUNT	Input for detecting TUNER FREQUENCY.
15	CLK 9273/7312	Clock signal output for M61516.
16	DATA 9273/7312	Data signal output for M61516.
17	KEY IN3	Data input for key scan.
18	KEY IN2	Data input for key scan.
19	KEY IN1	Data input for key scan.
20	FUNC_DN	Input for function encoder down
21	FUNC_UP	Input for function encoder up
22	DATA 62446/72131	Data signal output for 72131.
23	CLK 62446/72131	Chip enable signal output to 72131.
24	LATCH 62446	Data signal input for CS49326.
25	CLK 4112/4527/4926	Clock signal output for AK4112/AK4529/CS49236.
26	SDI 4112/4527/4926	Data signal output for AK4112/AK4529/CS49326.
27	CDI 4112/4926	Data signal input for AK4112.
28	VREF	Reference voltage. (Connected to +5V, Not VDD.)
29	SPK_RLY	Output to "Speaker Relay is ON/OFF" (At "H", it is active.)
30	TUNED	Input for detecting "TUNED" condition. (At "L", it is active.)
31	CS 4926	Chip select signal output to CS49326
32	SV-DET	Input for detecting S-VIDEO input signal (At "H", it is active.)
33	INTERQ 4926	Interrupt signal output to CS49326
34	P/D4112,4529	Input for AK4112/AK4529power down.
35	STEP_OPT	Input for selecting the frequency ranges steps of FM and AM. ( 3.4V : RDS, 5V : without RDS Receiver)
36	CE 9273/7312	Chip enable signal output for TC9273/AL7312
37	GND	GROUND
38	RESET	Input for resetting the CPU. (At "L", it is active.)
39	EXTAL	Input for 10MHz crystal oscillator.
40	XTAL	Output for 10MHz crystal oscillator.
41	GND	Ground.
42	NC	Not used!
43	GND	Ground.
44	+5V BACK UP	+5V power supply.
45	VFDP	-30V Supply

<b>Pin No.</b>	<b>Symbol</b>	<b>Description</b>
46	T_MUTE	Output for tuner mute. (At "L", it is active.)
47	SR_MUTE	Output for surround channel mute. (At "L", it is active.)
48	SW_MUTE	Output for sub woofer channel mute. (At "L", it is active.)
49	C_MUTE	Output for center channel mute. (At "L", it is active.)
50	F_MUTE	Output for front channel mute. (At "L", it is active.)
51	VIDEO_S3	Video select 1,2,3
52	VIDEO_S2	Video select 1,2,3
53	DSP_MUTE	Output for DSP mute. (At "L", it is active.)
54	NC	Not used!
55	CS4926RST	Reset signal output to CS4926.
56	ROM2	Signal output to M27W201 .
57	ROM30	Signal output to M27W201 .
58	ROM3	Signal output to M27W201 .
59	AUTOBOOT	Output for DSP AUTOBOOT
60	SUB SUM	Output for sub woofer Summing. (At "L", it is active.)
61~66	N.C	Not used!
67	SPK_LED	Output to drive speaker LED. (At "H", it is active.)
68	CS 4112	Chip select signal output to AK4112
69	STANDBY LED/RELAY	Output to drive Power on,standby LED. (At "H", it is active.)
70~85	S1~S15	GRID FL PORT
86	N.C	Not used!
87	N.C	Not used!
88	N.C	Not used!
89	VDD	+5V power supply.
90	N.C	Not used!
91~100	G1~G10	GRID FL PORT

# 4 EXPLODED VIEWS AND PARTS LIST



## EXPLODED VIEW LIST

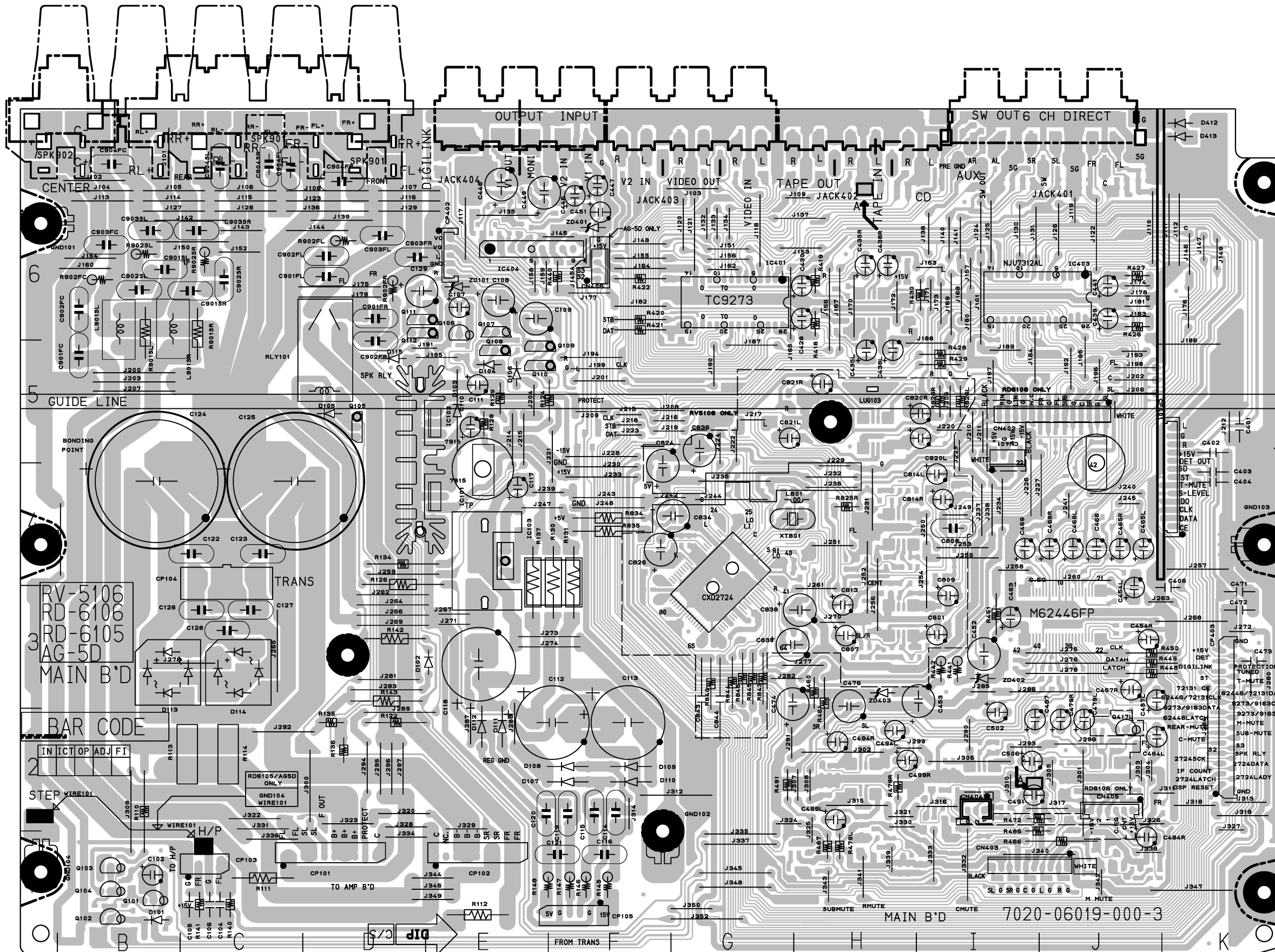
REF. NO.	PARTS NO.	DESCRIPTION	REMARKS
1	9A09976400	KNOB ASSY, VOLUME	5088210788000
2	9A09997000	WINDOW, DISPLAY	5077210973000
3	9A09980600	PANEL, FRONT	3067211198020
4	9A09976900	BADGE	5630210328000
5	9A09976800	INDICATOR	5160210093000
6	9A09975300	BODY	3417210091000
7	9A09976600	BUTTON, 9KEY	5097211981010
8	9A09978300	ST/BY PCB ASSY	7028062244010
9	9A09976500	BUTTON, POWER	5097211971000
10	9A09975700	BRACKET, POWER	4010210876000
11	9A09995800	POWER SW PCB ASSY	7028062242010
12	9A09995900	HEADPHONE PCB ASSY	7028062243010
13	9A09976700	INDICATOR, STAND-BY	5160040643010
14	9A09995600	FUNCTION PCB ASSY	7028062232010
15	9A09998300	FRONT PCB ASSY [E]	7025HK0213021
15	9A09998310	FRONT PCB ASSY [UK]	7025HK0213031
16	9A09967400	DISPLAY, FLT	K530123500010
17	9A09976000	HOLDER, FLT	4320210091010
18	9A10002800	HEAT SINK, POWER	2120210168000
19	9A09994400	GUIDE A PCB ASSY	70280601920E0
20	9A09994500	GUIDE B PCB ASSY	70280601960E0
21	9A09975600	BRACKET, HEAT SINK	4010056906010
22	9A09994600	AMP PCB ASSY [E]	7025HK0213025
22	-----	AMP PCB ASSY [UK]	7025HK0213035
23	9A09980700	CHASSIS, MAIN	3200211166000
24	9A09975500	FOOT	4007040241040
25	9A09975800	SPACER, KNOB	4300040561010
26	9A09994700	MAIN PCB ASSY [E]	7025HK0213020
26	-----	MAIN PCB ASSY [UK]	7025HK0213030
27	9A09994800	HEAT SINK	2120044298010
28	9A09974300	HEAT SINK	2120043538030
29	9A09994900	TERMINAL, RCA 9PIN	G607901220070
30	9A09960700	TERMINAL, RCA 6PIN	G603060046020
31	9A09960600	TERMINAL, RCA 4PIN	G602040045030
32	9A09961300	TERMINAL, BOARD SCREW 8P	G61408103600A
33	9A09995000	TERMINAL, BOARD SCREW 2P	G611021078110
34	9A09977300	DSP PCB ASSY	7025HK0214022
35	9A09975900	SPACER, SUPPORTER	4300210023000
36	9A09975000	SHIELD-PLATE GND	3070045526010
37	9A09958400	MODULE, OPTICAL GP1FA502RZ	E100150200020
38	9A09960400	TERMINAL, RCA 2PIN	G601200099040
39	9A09995100	TUNER, FM/AM	E900901410021
40	9A09977400	S-VIDEO PCB ASSY	7025HK0214024
41	9A09959900	JACK, DIN S-VIDEO 2P	G403040020010
42	9A09995200	CHASSIS, BACK [E]	3207211176020
42	-----	CHASSIS, BACK [UK]	3207211176030
43	9A09995300	POWER PCB ASSY [E]	7028062245020
43	-----	POWER PCB ASSY [UK]	7028062245030
44	△ 9A09960100	SOCKET, AC OUTLET [E]	G435040110000
45	△ 9A09960000	SOCKET, POWER AC	G430040550010
46	9A09974800	CABINET, TOP	3007210356000
47	△ 9A09969200	CORD, AC [E]	L061000000060
47	△ 9A09982100	CORD, AC [UK]	L061000000080
48	9A09974700	BUSHING, TERMINAL	2410040353010
49	△ 9A09995400	POWER TRANSFORMER	8200960610010

**EXPLODED VIEW LIST**

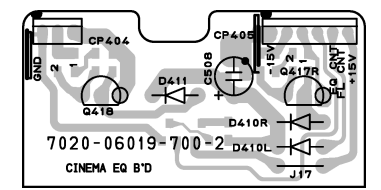
REF. NO.	PARTS NO.	DESCRIPTION	REMARKS
Q213C	△ 9A10004400	TR, SAP16P	J501151000010
Q213L	△ 9A10004400	TR, SAP16P	J501151000010
Q213R	△ 9A10004400	TR, SAP16P	J501151000010
Q213SL	△ 9A10004400	TR, SAP16P	J501151000010
Q213SR	△ 9A10004400	TR, SAP16P	J501151000010
Q214C	△ 9A10004600	TR, SAP16N	J503151000010
Q214L	△ 9A10004600	TR, SAP16N	J503151000010
Q214R	△ 9A10004600	TR, SAP16N	J503151000010
Q214SL	△ 9A10004600	TR, SAP16N	J503151000010
Q214SR	△ 9A10004600	TR, SAP16N	J503151000010

# 5 PC BOARDS AND PARTS LIST

MAIN PCB (SIDE A)



CINEMA EQ PCB (SIDE A)



RV-5106  
RD-6106  
RD-6105  
AG-5D  
MAIN B'D

BAR CODE

IN ICT OP ADJ F1

STEP WIRE101

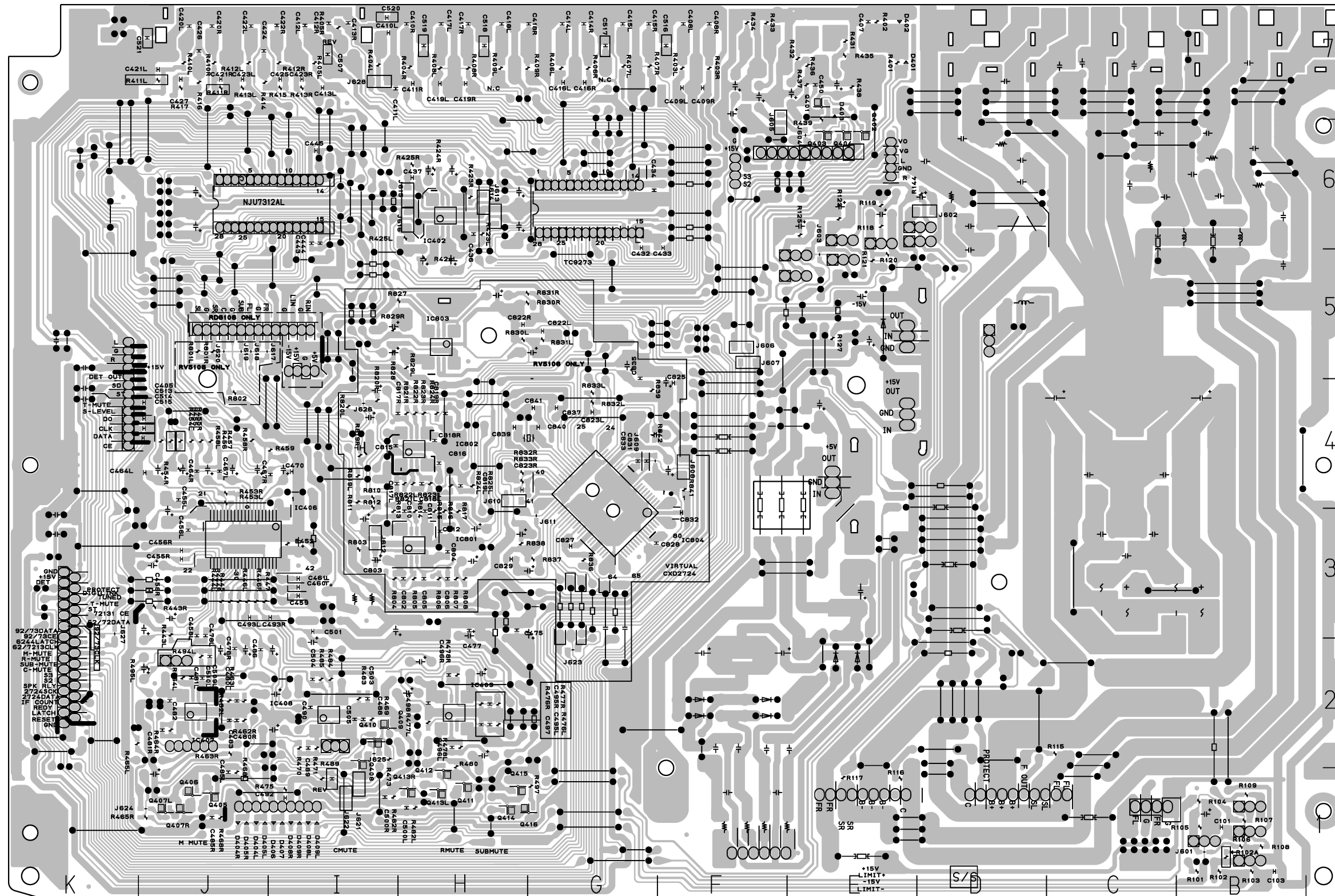
TO AMP B'D

FROM TRANS

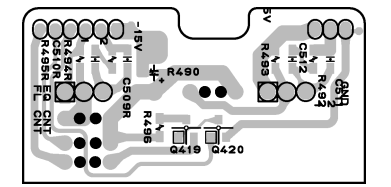
5V GND

7020-06019-000-3

MAIN PCB (SIDE B)

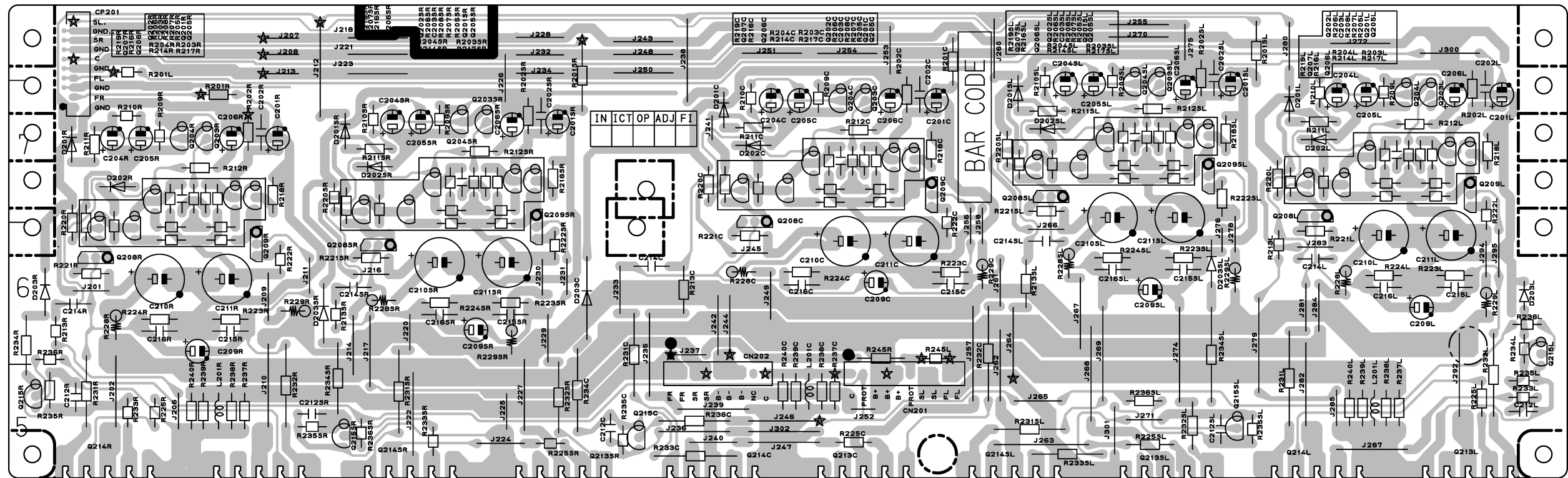


CINEMA EQ PCB (SIDE B)

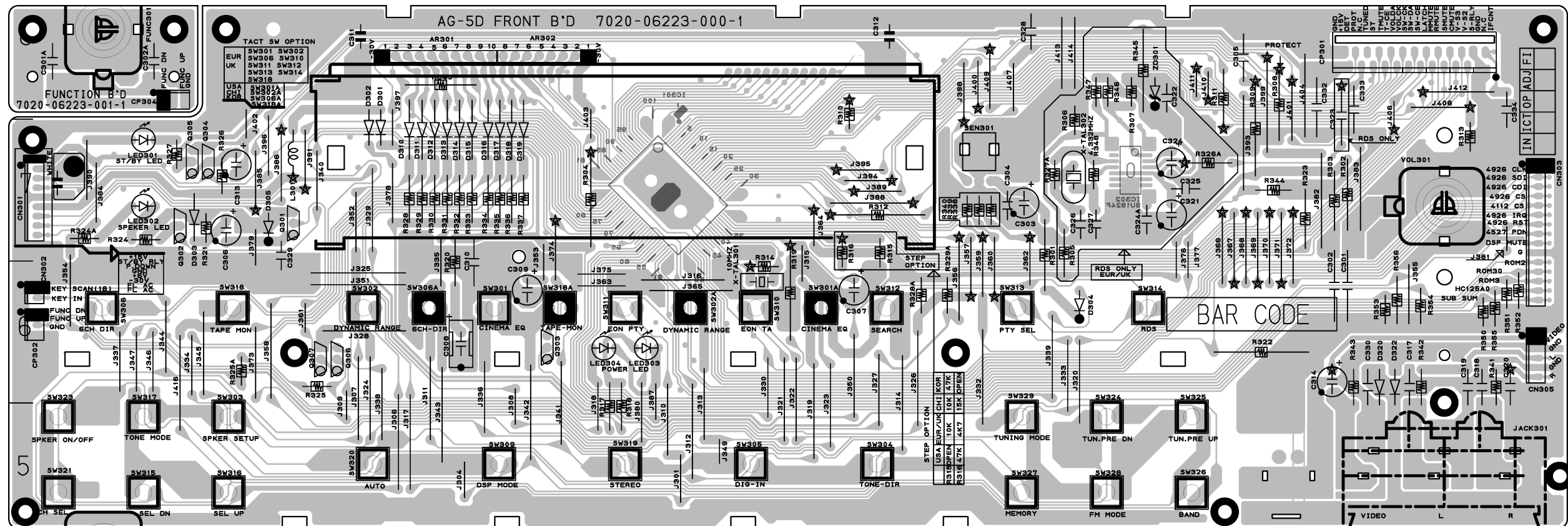




AMP PCB



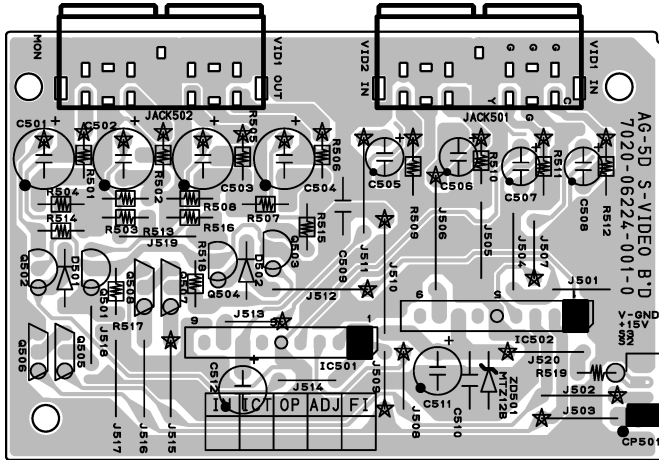
FUNCTION PCB / FRONT PCB



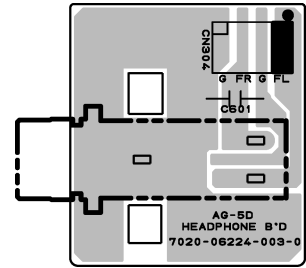




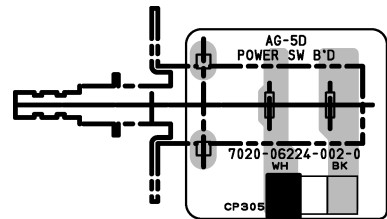
**S-VIDEO PCB**



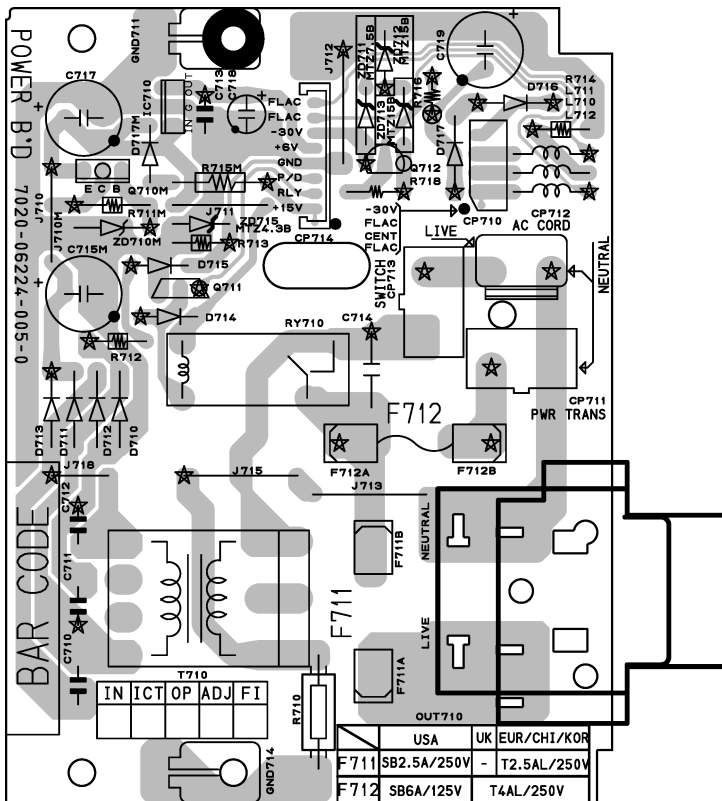
**HEADPHONE PCB**



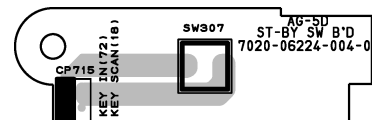
**POWER SW PCB**



**POWER PCB**



**ST/BY PCB**



	USA	UK	EUR/CHI/KOR
F711	SB2.5A/250V	-	T2.5AL/250V
F712	SB6A/125V	-	T4AL/250V

## MAIN PCB ASSY [E]

REF. NO.	PARTS NO.	DESCRIPTION
	9A09994700	MAIN PCB ASSY [E]
	9A09974300	HEAT SINK
	9A09994800	HEAT SINK
C112	△ 9A10003100	CE, 2200UF-M/35V
C113	△ 9A10003100	CE, 2200UF-M/35V
C118	△ 9A09957600	CE, 4700UF-M/25V
C124	△ 9A09957700	CE, 6800UF-M/63V
C125	△ 9A09957700	CE, 6800UF-M/63V
CN404	9A10005500	CN, WAFER, 35336-0310 3P
CN405	9A10004900	CN, WAFER, TUC-P06P-B1 6P
CP101	9A09970800	CN, WAFER, 5267-10A 10P
CP102	9A09970700	CN, WAFER, 5267-09A 9P
CP103	9A09970500	CN, WAFER, 5267-04A 4P
CP104	9A09980300	CN, WAFER, 35328-0310
CP105	9A09970600	CN, WAFER, 5267-06A 6P
CP401	9A09980200	CN, WAFER, 35336-1310 13P
CP402	9A10005100	CN, WAFER, G1L-S-5P-S2T2-EF
CP403	9A09971000	CN, FPC, SCB 1125-00 25P ST
D101	9A09966200	DIODE, 1SS133T-72
D102	9A09966200	DIODE, 1SS133T-72
D103	9A09966200	DIODE, 1SS133T-72
D104	9A09966200	DIODE, 1SS133T-72
D105	9A09966200	DIODE, 1SS133T-72
D106	9A09966200	DIODE, 1SS133T-72
D107	△ 9A09966300	DIODE, 1N4007
D108	△ 9A09966300	DIODE, 1N4007
D109	△ 9A09966300	DIODE, 1N4007
D110	△ 9A09966300	DIODE, 1N4007
D111	△ 9A09966300	DIODE, 1N4007
D112	△ 9A09966300	DIODE, 1N4007
D113	△ 9A09966500	D, BRIDGE, KBPC604
D114	△ 9A09966500	D, BRIDGE, KBPC604
D115	9A09966200	DIODE, 1SS133T-72
D403	9A09966400	DIODE, CHIP, 1N4148WS/BAV16WS
D404L	9A09966400	DIODE, CHIP, 1N4148WS/BAV16WS
D404R	9A09966400	DIODE, CHIP, 1N4148WS/BAV16WS
D405L	9A09966400	DIODE, CHIP, 1N4148WS/BAV16WS
D405R	9A09966400	DIODE, CHIP, 1N4148WS/BAV16WS
D406	9A09966400	DIODE, CHIP, 1N4148WS/BAV16WS
D407	9A09966400	DIODE, CHIP, 1N4148WS/BAV16WS
D408L	9A09966400	DIODE, CHIP, 1N4148WS/BAV16WS
D408R	9A09966400	DIODE, CHIP, 1N4148WS/BAV16WS
D409L	9A09966400	DIODE, CHIP, 1N4148WS/BAV16WS
D409R	9A09966400	DIODE, CHIP, 1N4148WS/BAV16WS
D412	9A09966200	DIODE, 1SS133T-72
D413	9A09966200	DIODE, 1SS133T-72
GND101	9A09975400	TERMINAL, GND PLATE
GND102	9A09975400	TERMINAL, GND PLATE
GND103	9A09975400	TERMINAL, GND PLATE
GND104	9A09975400	TERMINAL, GND PLATE
IC101	△ 9A09963600	IC, MC7815CT
IC102	△ 9A09963700	IC, KIA7915P1
IC103	△ 9A09963400	IC, MC7805CT
IC401	9A10004100	IC, TC9273N-007
IC402	9A09963000	IC, BA4558F-E2

## MAIN PCB ASSY [E]

REF. NO.	PARTS NO.	DESCRIPTION
IC403	9A10003500	IC, NJU7312AL
IC404	9A09964000	IC, LA7952
IC406	9A10004200	IC, M62446AFP
IC407	9A09963000	IC, BA4558F-E2
IC408	9A09963000	IC, BA4558F-E2
IC409	9A09963000	IC, BA4558F-E2
JACK401	9A10003200	TERMINAL, RCA 9PIN
JACK402	9A09960700	TERMINAL, RCA 6PIN
JACK403	9A09960700	TERMINAL, RCA 6PIN
JACK404	9A09960600	TERMINAL, RCA 4PIN
L901SL	9A09958300	COIL, INDUCTOR, J9000031
L901SR	9A09958300	COIL, INDUCTOR, J9000031
Q101	9A09964900	TR, KTC3200BL
Q102	9A09964500	TR, KTA1268BL
Q103	9A09964400	TR, KTA1266Y
Q104	9A09964400	TR, KTA1266Y
Q105	9A09966100	TR, KRC107M
Q106	9A09964200	TR, KSA992F
Q107	9A09964600	TR, 2SC1740SR
Q108	9A09964600	TR, 2SC1740SR
Q109	9A09964600	TR, 2SC1740SR
Q110	9A09964600	TR, 2SC1740SR
Q111	9A09964600	TR, 2SC1740SR
Q112	9A09964600	TR, 2SC1740SR
Q401	9A10004700	TR, KTC3880S-0
Q402	9A10004700	TR, KTC3880S-0
Q403	9A09965600	TR, KRC107S
Q404	9A09965600	TR, KRC107S
Q405	9A09965600	TR, KRC107S
Q406	9A09965200	TR, KRA107S
Q407L	9A09965500	TR, KRC231S
Q407R	9A09965500	TR, KRC231S
Q408	9A09965600	TR, KRC107S
Q409	9A09965200	TR, KRA107S
Q410	9A09965500	TR, KRC231S
Q411	9A09965600	TR, KRC107S
Q412	9A09965200	TR, KRA107S
Q413L	9A09965500	TR, KRC231S
Q413R	9A09965500	TR, KRC231S
Q414	9A09965600	TR, KRC107S
Q415	9A09965200	TR, KRA107S
Q416	9A09965700	TR, KTC2875B
Q417L	9A09965900	FET, 2SK117Y
R111	△ 9A09948700	R, METAL, 390-J 1W
R112	△ 9A09948700	R, METAL, 390-J 1W
R113	△ 9A09949000	R, CEMENT, 0.1-J 5W
R114	△ 9A09949000	R, CEMENT, 0.1-J 5W
R126	△ 9A09948200	R, METAL, 10 OHM 1W
R142	△ 9A10003000	R, METAL, 4.7K-J 1W
R143	△ 9A10002900	R, METAL, 1K-J 1W
R145	△ 9A09947900	R, METAL, 0.22-J 1W
R146	△ 9A09947900	R, METAL, 0.22-J 1W
R147	△ 9A09947900	R, METAL, 0.22-J 1W
R148	△ 9A09947900	R, METAL, 0.22-J 1W
R441	△ 9A09948500	R, METAL, 220-J 1W

## MAIN PCB ASSY [E]

REF. NO.	PARTS NO.	DESCRIPTION
R901SL	△ 9A09948200	R, METAL, 10 OHM 1W
R901SR	△ 9A09948200	R, METAL, 10 OHM 1W
R902FC	△ 9A09948100	R, METAL, 10-J 1W
R902FL	△ 9A09948100	R, METAL, 10-J 1W
R902FR	△ 9A09948100	R, METAL, 10-J 1W
R902SL	△ 9A09948100	R, METAL, 10-J 1W
R902SR	△ 9A09948100	R, METAL, 10-J 1W
RLY101	9A09961700	RELAY, G5PA-28 24V 5A
SPK901	9A10003400	TERMINAL, BOARD SCREW 8P
SPK902	9A10003300	TERMINAL, BOARD SCREW 2P
ZD101	9A09966700	D, ZENER, MTZJ5. 1B
ZD401	9A09967000	D, ZENER, MTZJ12B
ZD402	9A09966800	D, ZENER, MTZJ6. 8B
ZD403	9A09966800	D, ZENER, MTZJ6. 8B

## MAIN PCB ASSY [UK]

REF. NO.	PARTS NO.	DESCRIPTION
	-----	MAIN PCB ASSY [UK]
	9A09974300	HEAT SINK
	9A09994800	HEAT SINK
C112	△ 9A10003100	CE, 2200UF-M/35V
C113	△ 9A10003100	CE, 2200UF-M/35V
C118	△ 9A09957600	CE, 4700UF-M/25V
C124	△ 9A09957700	CE, 6800UF-M/63V
C125	△ 9A09957700	CE, 6800UF-M/63V
CN404	9A10005500	CN, WAFER, 35336-0310 3P
CN405	9A10004900	CN, WAFER, TUC-P06P-B1 6P
CP101	9A09970800	CN, WAFER, 5267-10A 10P
CP102	9A09970700	CN, WAFER, 5267-09A 9P
CP103	9A09970500	CN, WAFER, 5267-04A 4P
CP104	9A09980300	CN, WAFER, 35328-0310
CP105	9A09970600	CN, WAFER, 5267-06A 6P
CP401	9A09980200	CN, WAFER, 35336-1310 13P
CP402	9A10005100	CN, WAFER, G1L-S-5P-S2T2-EF
CP403	9A09971000	CN, FPC, SCB 1125-00 25P ST
D101	9A09966200	DIODE, 1SS133T-72
D102	9A09966200	DIODE, 1SS133T-72
D103	9A09966200	DIODE, 1SS133T-72
D104	9A09966200	DIODE, 1SS133T-72
D105	9A09966200	DIODE, 1SS133T-72
D106	9A09966200	DIODE, 1SS133T-72
D107	△ 9A09966300	DIODE, 1N4007
D108	△ 9A09966300	DIODE, 1N4007
D109	△ 9A09966300	DIODE, 1N4007
D110	△ 9A09966300	DIODE, 1N4007
D111	△ 9A09966300	DIODE, 1N4007
D112	△ 9A09966300	DIODE, 1N4007
D113	△ 9A09966500	D, BRIDGE, KBPC604
D114	△ 9A09966500	D, BRIDGE, KBPC604
D115	9A09966200	DIODE, 1SS133T-72
D403	9A09966400	DIODE, CHIP, 1N4148WS/BAV16WS
D404L	9A09966400	DIODE, CHIP, 1N4148WS/BAV16WS

## MAIN PCB ASSY [UK]

REF. NO.	PARTS NO.	DESCRIPTION
D404R	9A09966400	DIODE, CHIP, 1N4148WS/BAV16WS
D405L	9A09966400	DIODE, CHIP, 1N4148WS/BAV16WS
D405R	9A09966400	DIODE, CHIP, 1N4148WS/BAV16WS
D406	9A09966400	DIODE, CHIP, 1N4148WS/BAV16WS
D407	9A09966400	DIODE, CHIP, 1N4148WS/BAV16WS
D408L	9A09966400	DIODE, CHIP, 1N4148WS/BAV16WS
D408R	9A09966400	DIODE, CHIP, 1N4148WS/BAV16WS
D409L	9A09966400	DIODE, CHIP, 1N4148WS/BAV16WS
D409R	9A09966400	DIODE, CHIP, 1N4148WS/BAV16WS
D412	9A09966200	DIODE, 1SS133T-72
D413	9A09966200	DIODE, 1SS133T-72
GND101	9A09975400	TERMINAL, GND PLATE
GND102	9A09975400	TERMINAL, GND PLATE
GND103	9A09975400	TERMINAL, GND PLATE
GND104	9A09975400	TERMINAL, GND PLATE
IC101	△ 9A09963600	IC, MC7815CT
IC102	△ 9A09963700	IC, KIA7915PI
IC103	△ 9A09963400	IC, MC7805CT
IC401	9A10004100	IC, TC9273N-007
IC402	9A09963000	IC, BA4558F-E2
IC403	9A10003500	IC, NJU7312AL
IC404	9A09964000	IC, LA7952
IC406	9A10004200	IC, M62446AFP
IC407	9A09963000	IC, BA4558F-E2
IC408	9A09963000	IC, BA4558F-E2
IC409	9A09963000	IC, BA4558F-E2
JACK401	9A10003200	TERMINAL, RCA 9PIN
JACK402	9A09960700	TERMINAL, RCA 6PIN
JACK403	9A09960700	TERMINAL, RCA 6PIN
JACK404	9A09960600	TERMINAL, RCA 4PIN
L901SL	9A09958300	COIL, INDUCTOR, J9000031
L901SR	9A09958300	COIL, INDUCTOR, J9000031
Q101	9A09964900	TR, KTC3200BL
Q102	9A09964500	TR, KTA1268BL
Q103	9A09964400	TR, KTA1266Y
Q104	9A09964400	TR, KTA1266Y
Q105	9A09966100	TR, KRC107M
Q106	9A09964200	TR, KSA992F
Q107	9A09964600	TR, 2SC1740SR
Q108	9A09964600	TR, 2SC1740SR
Q109	9A09964600	TR, 2SC1740SR
Q110	9A09964600	TR, 2SC1740SR
Q111	9A09964600	TR, 2SC1740SR
Q112	9A09964600	TR, 2SC1740SR
Q401	9A10004700	TR, KTC3880S-0
Q402	9A10004700	TR, KTC3880S-0
Q403	9A09965600	TR, KRC107S
Q404	9A09965600	TR, KRC107S
Q405	9A09965600	TR, KRC107S
Q406	9A09965200	TR, KRA107S
Q407L	9A09965500	TR, KRC231S
Q407R	9A09965500	TR, KRC231S
Q408	9A09965600	TR, KRC107S
Q409	9A09965200	TR, KRA107S
Q410	9A09965500	TR, KRC231S

**MAIN PCB ASSY [UK]**

REF. NO.	PARTS NO.	DESCRIPTION
Q411	9A09965600	TR, KRC107S
Q412	9A09965200	TR, KRA107S
Q413L	9A09965500	TR, KRC231S
Q413R	9A09965500	TR, KRC231S
Q414	9A09965600	TR, KRC107S
Q415	9A09965200	TR, KRA107S
Q416	9A09965700	TR, KTC2875B
Q417L	9A09965900	FET, 2SK117Y
R111	△ 9A09948700	R, METAL, 390-J 1W
R112	△ 9A09948700	R, METAL, 390-J 1W
R113	△ 9A09949000	R, CEMENT, 0.1-J 5W
R114	△ 9A09949000	R, CEMENT, 0.1-J 5W
R126	△ 9A09948200	R, METAL, 10 OHM 1W
R142	△ 9A10003000	R, METAL, 4.7K-J 1W
R143	△ 9A10002900	R, METAL, 1K-J 1W
R145	△ 9A09947900	R, METAL, 0.22-J 1W
R146	△ 9A09947900	R, METAL, 0.22-J 1W
R147	△ 9A09947900	R, METAL, 0.22-J 1W
R148	△ 9A09947900	R, METAL, 0.22-J 1W
R441	△ 9A09948500	R, METAL, 220-J 1W
R901SL	△ 9A09948200	R, METAL, 10 OHM 1W
R901SR	△ 9A09948200	R, METAL, 10 OHM 1W
R902FC	△ 9A09948100	R, METAL, 10-J 1W
R902FL	△ 9A09948100	R, METAL, 10-J 1W
R902FR	△ 9A09948100	R, METAL, 10-J 1W
R902SL	△ 9A09948100	R, METAL, 10-J 1W
R902SR	△ 9A09948100	R, METAL, 10-J 1W
RLY101	9A09961700	RELAY, G5PA-28 24V 5A
SPK901	9A10003400	TERMINAL, BOARD SCREW 8P
SPK902	9A10003300	TERMINAL, BOARD SCREW 2P
ZD101	9A09966700	D, ZENER, MTZJ5.1B
ZD401	9A09967000	D, ZENER, MTZJ12B
ZD402	9A09966800	D, ZENER, MTZJ6.8B
ZD403	9A09966800	D, ZENER, MTZJ6.8B

**CINEMA EQ PCB ASSY**

REF. NO.	PARTS NO.	DESCRIPTION
CN405	9A09995500	CINEMA EQ PCB ASSY
CP404	9A10004800	CN, WAFER, TUC-P06X-B1
D410L	9A10005400	CN, WAFER, 35237-0310 3P
D410R	9A09966200	DIODE, 1SS133T-72
D411	9A09966200	DIODE, 1SS133T-72
Q417R	9A09965900	FET, 2SK117Y
Q418	9A09965900	FET, 2SK117Y
Q419	9A09965200	TR, KRA107S
Q420	9A09965600	TR, KRC107S

**AMP PCB ASSY [E]**

REF. NO.	PARTS NO.	DESCRIPTION
CP201	9A09994600	AMP PCB ASSY [E]
D201C	9A10005200	CN, WAFER, GIL-S-10P-S2T2-EF
D201L	9A09966200	DIODE, 1SS133T-72
D201R	9A09966200	DIODE, 1SS133T-72
D201SL	9A09966200	DIODE, 1SS133T-72
D201SR	9A09966200	DIODE, 1SS133T-72
D202C	9A09966200	DIODE, 1SS133T-72
D202L	9A09966200	DIODE, 1SS133T-72
D202R	9A09966200	DIODE, 1SS133T-72
D202SL	9A09966200	DIODE, 1SS133T-72
D202SR	9A09966200	DIODE, 1SS133T-72
D203C	9A09966200	DIODE, 1SS133T-72
D203L	9A09966200	DIODE, 1SS133T-72
D203R	9A09966200	DIODE, 1SS133T-72
D203SL	9A09966200	DIODE, 1SS133T-72
D203SR	9A09966200	DIODE, 1SS133T-72
L201C	9A09958300	COIL, INDUCTOR, J9000031
L201L	9A09958300	COIL, INDUCTOR, J9000031
L201R	9A09958300	COIL, INDUCTOR, J9000031
Q201C	9A09964200	TR, KSA992F
Q201L	9A09964200	TR, KSA992F
Q201R	9A09964200	TR, KSA992F
Q201SL	9A09964200	TR, KSA992F
Q201SR	9A09964200	TR, KSA992F
Q202C	9A09964200	TR, KSA992F
Q202L	9A09964200	TR, KSA992F
Q202R	9A09964200	TR, KSA992F
Q202SL	9A09964200	TR, KSA992F
Q202SR	9A09964200	TR, KSA992F
Q203C	9A09964200	TR, KSA992F
Q203L	9A09964200	TR, KSA992F
Q203R	9A09964200	TR, KSA992F
Q203SL	9A09964200	TR, KSA992F
Q203SR	9A09964200	TR, KSA992F
Q204C	9A09964200	TR, KSA992F
Q204L	9A09964200	TR, KSA992F
Q204R	9A09964200	TR, KSA992F
Q204SL	9A09964200	TR, KSA992F
Q204SR	9A09964200	TR, KSA992F
Q205C	9A09964700	TR, KSC1845F
Q205L	9A09964700	TR, KSC1845F
Q205R	9A09964700	TR, KSC1845F
Q205SL	9A09964700	TR, KSC1845F
Q205SR	9A09964700	TR, KSC1845F
Q206C	9A09964700	TR, KSC1845F
Q206L	9A09964700	TR, KSC1845F
Q206R	9A09964700	TR, KSC1845F
Q206SL	9A09964700	TR, KSC1845F
Q206SR	9A09964700	TR, KSC1845F
Q207C	9A09964200	TR, KSA992F
Q207L	9A09964200	TR, KSA992F
Q207R	9A09964200	TR, KSA992F
Q207SL	9A09964200	TR, KSA992F
Q207SR	9A09964200	TR, KSA992F

**AMP PCB ASSY [E]**

REF. NO.	PARTS NO.	DESCRIPTION
Q208C	9A09964300	TR, KTA1024Y
Q208L	9A09964300	TR, KTA1024Y
Q208R	9A09964300	TR, KTA1024Y
Q208SL	9A09964300	TR, KTA1024Y
Q208SR	9A09964300	TR, KTA1024Y
Q209C	9A09965000	TR, KTC3206Y
Q209L	9A09965000	TR, KTC3206Y
Q209R	9A09965000	TR, KTC3206Y
Q209SL	9A09965000	TR, KTC3206Y
Q209SR	9A09965000	TR, KTC3206Y
Q215C	9A09964700	TR, KSC1845F
Q215L	9A09964700	TR, KSC1845F
Q215R	9A09964700	TR, KSC1845F
Q215SL	9A09964700	TR, KSC1845F
Q215SR	9A09964700	TR, KSC1845F

**AMP PCB ASSY [UK]**

REF. NO.	PARTS NO.	DESCRIPTION
	-----	AMP PCB ASSY [UK]
CP201	9A10005200	CN, WAFER, GIL-S-10P-S2T2-EF
D201C	9A09966200	DIODE, 1SS133T-72
D201L	9A09966200	DIODE, 1SS133T-72
D201R	9A09966200	DIODE, 1SS133T-72
D201SL	9A09966200	DIODE, 1SS133T-72
D201SR	9A09966200	DIODE, 1SS133T-72
D202C	9A09966200	DIODE, 1SS133T-72
D202L	9A09966200	DIODE, 1SS133T-72
D202R	9A09966200	DIODE, 1SS133T-72
D202SL	9A09966200	DIODE, 1SS133T-72
D202SR	9A09966200	DIODE, 1SS133T-72
D203C	9A09966200	DIODE, 1SS133T-72
D203L	9A09966200	DIODE, 1SS133T-72
D203R	9A09966200	DIODE, 1SS133T-72
D203SL	9A09966200	DIODE, 1SS133T-72
D203SR	9A09966200	DIODE, 1SS133T-72
L201C	9A09958300	COIL, INDUCTOR, J9000031
L201L	9A09958300	COIL, INDUCTOR, J9000031
L201R	9A09958300	COIL, INDUCTOR, J9000031
Q201C	9A09964200	TR, KSA992F
Q201L	9A09964200	TR, KSA992F
Q201R	9A09964200	TR, KSA992F
Q201SL	9A09964200	TR, KSA992F
Q201SR	9A09964200	TR, KSA992F
Q202C	9A09964200	TR, KSA992F
Q202L	9A09964200	TR, KSA992F
Q202R	9A09964200	TR, KSA992F
Q202SL	9A09964200	TR, KSA992F
Q202SR	9A09964200	TR, KSA992F
Q203C	9A09964200	TR, KSA992F
Q203L	9A09964200	TR, KSA992F
Q203R	9A09964200	TR, KSA992F
Q203SL	9A09964200	TR, KSA992F
Q203SR	9A09964200	TR, KSA992F

**AMP PCB ASSY [UK]**

REF. NO.	PARTS NO.	DESCRIPTION
Q204C	9A09964200	TR, KSA992F
Q204L	9A09964200	TR, KSA992F
Q204R	9A09964200	TR, KSA992F
Q204SL	9A09964200	TR, KSA992F
Q204SR	9A09964200	TR, KSA992F
Q205C	9A09964700	TR, KSC1845F
Q205L	9A09964700	TR, KSC1845F
Q205R	9A09964700	TR, KSC1845F
Q205SL	9A09964700	TR, KSC1845F
Q205SR	9A09964700	TR, KSC1845F
Q206C	9A09964700	TR, KSC1845F
Q206L	9A09964700	TR, KSC1845F
Q206R	9A09964700	TR, KSC1845F
Q206SL	9A09964700	TR, KSC1845F
Q206SR	9A09964700	TR, KSC1845F
Q207C	9A09964200	TR, KSA992F
Q207L	9A09964200	TR, KSA992F
Q207R	9A09964200	TR, KSA992F
Q207SL	9A09964200	TR, KSA992F
Q207SR	9A09964200	TR, KSA992F
Q208C	9A09964300	TR, KTA1024Y
Q208L	9A09964300	TR, KTA1024Y
Q208R	9A09964300	TR, KTA1024Y
Q208SL	9A09964300	TR, KTA1024Y
Q208SR	9A09964300	TR, KTA1024Y
Q209C	9A09965000	TR, KTC3206Y
Q209L	9A09965000	TR, KTC3206Y
Q209R	9A09965000	TR, KTC3206Y
Q209SL	9A09965000	TR, KTC3206Y
Q209SR	9A09965000	TR, KTC3206Y
Q215C	9A09964700	TR, KSC1845F
Q215L	9A09964700	TR, KSC1845F
Q215R	9A09964700	TR, KSC1845F
Q215SL	9A09964700	TR, KSC1845F
Q215SR	9A09964700	TR, KSC1845F

**FRONT PCB ASSY [E]**

REF. NO.	PARTS NO.	DESCRIPTION
	9A09998300	FRONT PCB ASSY [E]
	9A09976000	HOLDER, FLT
	9A09976200	PLATE, SHIELD
AR301	9A09949100	R, NET, 100KJX9
AR302	9A09979200	R, NET, 100KJX7
C308	9A09957800	C, HO. 047F-70UA/5. 5V
CP301	9A09971100	CN, FPC, 52492-2520 25P
D301	9A09966200	DIODE, 1SS133T-72
D302	9A09966200	DIODE, 1SS133T-72
D303	9A09966200	DIODE, 1SS133T-72
D304	9A09966200	DIODE, 1SS133T-72
D305	9A09966200	DIODE, 1SS133T-72
D310	9A09966200	DIODE, 1SS133T-72
D311	9A09966200	DIODE, 1SS133T-72
D312	9A09966200	DIODE, 1SS133T-72



## FRONT PCB ASSY [E]

REF. NO.	PARTS NO.	DESCRIPTION
D313	9A09966200	DIODE, 1SS133T-72
D314	9A09966200	DIODE, 1SS133T-72
D315	9A09966200	DIODE, 1SS133T-72
D316	9A09966200	DIODE, 1SS133T-72
D317	9A09966200	DIODE, 1SS133T-72
D318	9A09966200	DIODE, 1SS133T-72
D319	9A09966200	DIODE, 1SS133T-72
D320	9A09966200	DIODE, 1SS133T-72
D322	9A09966200	DIODE, 1SS133T-72
FIP301	9A09967400	DISPLAY, FLT
IC301	9A09998400	IC, CXP82852-392Q
IC302	9A09963100	IC, BU1924F
L301	9A09957900	COIL, 10UH-Q40
LED301	9A09967200	LED, HL-30CNYUF2T YELLOW
LED302	9A09967200	LED, HL-30CNYUF2T YELLOW
LED303	9A09967300	LED, L-7113QBC-C-TNB5 BLUE
LED304	9A09967300	LED, L-7113QBC-C-TNB5 BLUE
Q301	9A09966100	TR, KRC107M
Q302	9A09966100	TR, KRC107M
Q303	9A09966100	TR, KRC107M
Q304	9A09966100	TR, KRC107M
Q305	9A09966100	TR, KRC107M
Q306	9A09966000	TR, KRA107M
Q307	9A09966100	TR, KRC107M
SEN301	9A09959100	MODULE, REMOCON, NJL64H380A
SW301	9A09959500	SW, TACT, SKHV10920A
SW302	9A09959500	SW, TACT, SKHV10920A
SW303	9A09959500	SW, TACT, SKHV10920A
SW304	9A09959500	SW, TACT, SKHV10920A
SW305	9A09959500	SW, TACT, SKHV10920A
SW306	9A09959500	SW, TACT, SKHV10920A
SW309	9A09959500	SW, TACT, SKHV10920A
SW310	9A09959500	SW, TACT, SKHV10920A
SW311	9A09959500	SW, TACT, SKHV10920A
SW312	9A09959500	SW, TACT, SKHV10920A
SW313	9A09959500	SW, TACT, SKHV10920A
SW314	9A09959500	SW, TACT, SKHV10920A
SW315	9A09959500	SW, TACT, SKHV10920A
SW316	9A09959500	SW, TACT, SKHV10920A
SW317	9A09959500	SW, TACT, SKHV10920A
SW318	9A09959500	SW, TACT, SKHV10920A
SW319	9A09959500	SW, TACT, SKHV10920A
SW320	9A09959500	SW, TACT, SKHV10920A
SW321	9A09959500	SW, TACT, SKHV10920A
SW323	9A09959500	SW, TACT, SKHV10920A
SW324	9A09959500	SW, TACT, SKHV10920A
SW325	9A09959500	SW, TACT, SKHV10920A
SW326	9A09959500	SW, TACT, SKHV10920A
SW327	9A09959500	SW, TACT, SKHV10920A
SW328	9A09959500	SW, TACT, SKHV10920A
SW329	9A09959500	SW, TACT, SKHV10920A
VOL301	9A09959400	SW, ENCODER, EC16B24304
X-TAL301	9A09958900	RESONATOR, 10.000MHZ
X-TAL302	9A09958800	CRYSTAL, 4.332MHZ
ZD301	9A09966700	D, ZENER, MTZJ5.1B

## FRONT PCB ASSY [UK]

REF. NO.	PARTS NO.	DESCRIPTION
	9A09998310	FRONT PCB ASSY [UK]
	9A09976000	HOLDER, FLT
	9A09976200	PLATE, SHIELD
AR301	9A09949100	R, NET, 100KJX9
AR302	9A09979200	R, NET, 100KJX7
C308	9A09957800	C, HO. 047F-70UA/5.5V
CP301	9A09971100	CN, FPC, 52492-2520 25P
D301	9A09966200	DIODE, 1SS133T-72
D302	9A09966200	DIODE, 1SS133T-72
D303	9A09966200	DIODE, 1SS133T-72
D304	9A09966200	DIODE, 1SS133T-72
D305	9A09966200	DIODE, 1SS133T-72
D310	9A09966200	DIODE, 1SS133T-72
D311	9A09966200	DIODE, 1SS133T-72
D312	9A09966200	DIODE, 1SS133T-72
D313	9A09966200	DIODE, 1SS133T-72
D314	9A09966200	DIODE, 1SS133T-72
D315	9A09966200	DIODE, 1SS133T-72
D316	9A09966200	DIODE, 1SS133T-72
D317	9A09966200	DIODE, 1SS133T-72
D318	9A09966200	DIODE, 1SS133T-72
D319	9A09966200	DIODE, 1SS133T-72
D320	9A09966200	DIODE, 1SS133T-72
D322	9A09966200	DIODE, 1SS133T-72
FIP301	9A09967400	DISPLAY, FLT
IC301	9A09998400	IC, CXP82852-392Q
IC302	9A09963100	IC, BU1924F
L301	9A09957900	COIL, 10UH-Q40
LED301	9A09967200	LED, HL-30CNYUF2T YELLOW
LED302	9A09967200	LED, HL-30CNYUF2T YELLOW
LED303	9A09967300	LED, L-7113QBC-C-TNB5 BLUE
LED304	9A09967300	LED, L-7113QBC-C-TNB5 BLUE
Q301	9A09966100	TR, KRC107M
Q302	9A09966100	TR, KRC107M
Q303	9A09966100	TR, KRC107M
Q304	9A09966100	TR, KRC107M
Q305	9A09966100	TR, KRC107M
Q306	9A09966000	TR, KRA107M
Q307	9A09966100	TR, KRC107M
SEN301	9A09959100	MODULE, REMOCON, NJL64H380A
SW301	9A09959500	SW, TACT, SKHV10920A
SW302	9A09959500	SW, TACT, SKHV10920A
SW303	9A09959500	SW, TACT, SKHV10920A
SW304	9A09959500	SW, TACT, SKHV10920A
SW305	9A09959500	SW, TACT, SKHV10920A
SW306	9A09959500	SW, TACT, SKHV10920A
SW309	9A09959500	SW, TACT, SKHV10920A
SW310	9A09959500	SW, TACT, SKHV10920A
SW311	9A09959500	SW, TACT, SKHV10920A
SW312	9A09959500	SW, TACT, SKHV10920A
SW313	9A09959500	SW, TACT, SKHV10920A
SW314	9A09959500	SW, TACT, SKHV10920A
SW315	9A09959500	SW, TACT, SKHV10920A
SW316	9A09959500	SW, TACT, SKHV10920A
SW317	9A09959500	SW, TACT, SKHV10920A
SW318	9A09959500	SW, TACT, SKHV10920A
SW319	9A09959500	SW, TACT, SKHV10920A
SW320	9A09959500	SW, TACT, SKHV10920A
SW321	9A09959500	SW, TACT, SKHV10920A
SW323	9A09959500	SW, TACT, SKHV10920A
SW324	9A09959500	SW, TACT, SKHV10920A
SW325	9A09959500	SW, TACT, SKHV10920A
SW326	9A09959500	SW, TACT, SKHV10920A
SW327	9A09959500	SW, TACT, SKHV10920A
SW328	9A09959500	SW, TACT, SKHV10920A
SW329	9A09959500	SW, TACT, SKHV10920A
SW313	9A09959500	SW, TACT, SKHV10920A
SW314	9A09959500	SW, TACT, SKHV10920A
SW315	9A09959500	SW, TACT, SKHV10920A
SW316	9A09959500	SW, TACT, SKHV10920A
SW317	9A09959500	SW, TACT, SKHV10920A

**FRONT PCB ASSY [UK]**

REF. NO.	PARTS NO.	DESCRIPTION
SW318	9A09959500	SW, TACT, SKHV10920A
SW319	9A09959500	SW, TACT, SKHV10920A
SW320	9A09959500	SW, TACT, SKHV10920A
SW321	9A09959500	SW, TACT, SKHV10920A
SW323	9A09959500	SW, TACT, SKHV10920A
SW324	9A09959500	SW, TACT, SKHV10920A
SW325	9A09959500	SW, TACT, SKHV10920A
SW326	9A09959500	SW, TACT, SKHV10920A
SW327	9A09959500	SW, TACT, SKHV10920A
SW328	9A09959500	SW, TACT, SKHV10920A
SW329	9A09959500	SW, TACT, SKHV10920A
VOL301	9A09959400	SW, ENCODER, EC16B24304
X-TAL301	9A09958900	RESONATOR, 10.000MHZ
X-TAL302	9A09958800	CRYSTAL, 4.332MHZ
ZD301	9A09966700	D, ZENER, MTZJ5.1B

**FUNCTION PCB ASSY**

REF. NO.	PARTS NO.	DESCRIPTION
	9A09995600	FUNCTION PCB ASSY
FUNC301	9A09959300	SW, ENCODER, EC16B12204

**DSP PCB ASSY**

REF. NO.	PARTS NO.	DESCRIPTION
	9A09977300	DSP PCB ASSY
	9A09975000	SHIELD PLATE GND
	9A09960200	SOCKET, IC 32PIN
BD801	9A09978700	BEAD, COIL, HB-1T2012-121JT
BD802	9A09978700	BEAD, COIL, HB-1T2012-121JT
BD803	9A09978700	BEAD, COIL, HB-1T2012-121JT
BD804	9A09978700	BEAD, COIL, HB-1T2012-121JT
BD805	9A09978700	BEAD, COIL, HB-1T2012-121JT
BD806	9A09978700	BEAD, COIL, HB-1T2012-121JT
BD807	9A09978700	BEAD, COIL, HB-1T2012-121JT
BD808	9A09978700	BEAD, COIL, HB-1T2012-121JT
CP801	9A10005300	CN, WAFER, G1L-15P-S2L2-EF
CP802	9A09969700	CN, WAFER, G1L-S-4P-S2T2-EF
CP803	9A09970400	CN, WAFER, G1L-14P-S2L2-EF
D801	9A09966400	DIODE, CHIP, 1N4148WS/BAV16WS
D802	9A09966400	DIODE, CHIP, 1N4148WS/BAV16WS
D803	9A09966400	DIODE, CHIP, 1N4148WS/BAV16WS
D804	9A09966400	DIODE, CHIP, 1N4148WS/BAV16WS
D805	9A09966400	DIODE, CHIP, 1N4148WS/BAV16WS
D806	9A09966400	DIODE, CHIP, 1N4148WS/BAV16WS
IC801	△ 9A09963300	IC, RC1117-3.3
IC802	9A09958400	MODULE, OPTICAL, GP1FA502RZ
IC803	9A10003600	IC, MC74HCU04AD
IC804	9A10004300	IC, BA4510F-T1
IC805	9A10004300	IC, BA4510F-T1

**DSP PCB ASSY**

REF. NO.	PARTS NO.	DESCRIPTION
IC806	9A09979800	IC, EEPROM M27W201-80B6 2M
IC807	9A10003800	IC, 74HCT574
IC808	9A10003800	IC, 74HCT574
IC809	9A10003700	IC, MM74HC125MX
IC810	9A09962500	IC, AK4112BVF-E2
IC811	△ 9A09963400	IC, MC7805CT
IC812	9A10003900	IC, AK4527-V0
IC813	9A10004000	IC, CS492604-CL
IC814	9A09963000	IC, BA4558F-E2
IC815	9A09963000	IC, BA4558F-E2
IC816	9A09963000	IC, BA4558F-E2
IC817	9A09963000	IC, BA4558F-E2
IC818	9A09963000	IC, BA4558F-E2
JACK801	9A09960400	TERMINAL, RCA 2PIN
L801	9A09958200	COIL, 4.7UH-Q50
L802	9A09958000	COIL, 2.2UH-Q50
L803	9A09958000	COIL, 2.2UH-Q50
L804	9A09958200	COIL, 4.7UH-Q50
Q802	9A09965200	TR, KRA107S
Q803	9A09965200	TR, KRA107S
Q804	9A09965200	TR, KRA107S
Q805	9A09965600	TR, KRC107S
Q806C	9A09964800	TR, KTC2874B
Q806FL	9A09964800	TR, KTC2874B
Q806FR	9A09964800	TR, KTC2874B
Q806SL	9A09964800	TR, KTC2874B
Q806SR	9A09964800	TR, KTC2874B
Q806SW	9A09964800	TR, KTC2874B
Q807FL	9A09965900	FET, 2SK117Y
Q807FR	9A09965900	FET, 2SK117Y
Q808	9A09965200	TR, KRA107S
Q809	9A09965600	TR, KRC107S
XT801	9A09958600	CRYSTAL, 12.288MHZ

**S-VIDEO PCB ASSY**

REF. NO.	PARTS NO.	DESCRIPTION
	9A09977400	S-VIDEO PCB ASSY
CP501	9A10005000	CN, WAFER, G1L-S-04P-S2L2-EF
D501	9A09966200	DIODE, 1SS133T-72
D502	9A09966200	DIODE, 1SS133T-72
IC501	9A09964000	IC, LA7952
IC502	9A09964000	IC, LA7952
JACK501	9A09959900	JACK, DIN S-VIDEO 2P
JACK502	9A09959900	JACK, DIN S-VIDEO 2P
Q501	9A10004500	TR, KTC3198Y
Q502	9A10004500	TR, KTC3198Y
Q503	9A10004500	TR, KTC3198Y
Q504	9A10004500	TR, KTC3198Y
Q505	9A09966100	TR, KRC107M
Q506	9A09966100	TR, KRC107M
Q507	9A09966100	TR, KRC107M
Q508	9A09966100	TR, KRC107M
R519	△ 9A09948600	R, METAL, 33 OHM 1W
ZD501	9A09967000	D, ZENER, MTZJ12B

**POWER PCB ASSY [E]**

REF. NO.	PARTS NO.	DESCRIPTION
	9A09995300	POWER PCB ASSY [E]
	△ 9A09960100	SOCKET, AC OUTLET
C714	△ 9A09954700	CC, AC13F472MDOA
CP710	9A09970500	CN, WAFER, 5267-04A 4P
CP711	9A09970900	CN, WAFER, 35328-0210
CP712	9A09980400	CN, WAFER, YW396V
CP713	9A09970900	CN, WAFER, 35328-0210
CP714	9A09970000	CN, WAFER, G1L-S-8P-S2T2-EF
D710	△ 9A09966300	DIODE, 1N4007
D711	△ 9A09966300	DIODE, 1N4007
D712	△ 9A09966300	DIODE, 1N4007
D713	△ 9A09966300	DIODE, 1N4007
D714	9A09966200	DIODE, 1SS133T-72
D715	9A09966200	DIODE, 1SS133T-72
D716	9A09966200	DIODE, 1SS133T-72
D717	9A09966200	DIODE, 1SS133T-72
F711	△ 9A09973700	FUSE, T2.5A 250V
F711A	9A09961500	HOLDER, FUSE CLIP
F711B	9A09961500	HOLDER, FUSE CLIP
F712	△ 9A09973800	FUSE, T4A 250V
F712A	9A09961500	HOLDER, FUSE CLIP
F712B	9A09961500	HOLDER, FUSE CLIP
GND711	9A09975400	TERMINAL, GND PLATE
IC710	△ 9A09963500	IC, MC7806CT
L710	9A09957900	COIL, 10UH-Q40
L711	9A09957900	COIL, 10UH-Q40
L712	9A09957900	COIL, 10UH-Q40
Q711	9A09966100	TR, KRC107M
Q712	△ 9A09964100	TR, KSA916Y
RY710	△ 9A09961600	RELAY, G5PA-1 12V 5A
T710	△ 9A09978800	TRANS, ST/BY
ZD711	9A09966900	D, ZENER, MTZJ7.5B
ZD712	9A09967100	D, ZENER, MTZJ15B
ZD713	9A09967100	D, ZENER, MTZJ15B
ZD715	9A09966600	D, ZENER, MTZJ4.3B

**POWER PCB ASSY [UK]**

REF. NO.	PARTS NO.	DESCRIPTION
	-----	POWER PCB ASSY [UK]
C714	△ 9A09954700	CC, AC13F472MDOA
CP710	9A09970500	CN, WAFER, 5267-04A 4P
CP711	9A09970900	CN, WAFER, 35328-0210
CP712	9A09980400	CN, WAFER, YW396V
CP713	9A09970900	CN, WAFER, 35328-0210
CP714	9A09970000	CN, WAFER, G1L-S-8P-S2T2-EF
D710	△ 9A09966300	DIODE, 1N4007
D711	△ 9A09966300	DIODE, 1N4007
D712	△ 9A09966300	DIODE, 1N4007
D713	△ 9A09966300	DIODE, 1N4007
D714	9A09966200	DIODE, 1SS133T-72
D715	9A09966200	DIODE, 1SS133T-72
D716	9A09966200	DIODE, 1SS133T-72
D717	9A09966200	DIODE, 1SS133T-72

**POWER PCB ASSY [UK]**

REF. NO.	PARTS NO.	DESCRIPTION
F712	△ 9A09973800	FUSE, T4A 250V
F712A	9A09961500	HOLDER, FUSE CLIP
F712B	9A09961500	HOLDER, FUSE CLIP
GND711	9A09975400	TERMINAL, GND PLATE
IC710	△ 9A09963500	IC, MC7806CT
L710	9A09957900	COIL, 10UH-Q40
L711	9A09957900	COIL, 10UH-Q40
L712	9A09957900	COIL, 10UH-Q40
Q711	9A09966100	TR, KRC107M
Q712	△ 9A09964100	TR, KSA916Y
RY710	△ 9A09961600	RELAY, G5PA-1 12V 5A
T710	△ 9A09978800	TRANS, ST/BY
ZD711	9A09966900	D, ZENER, MTZJ7.5B
ZD712	9A09967100	D, ZENER, MTZJ15B
ZD713	9A09967100	D, ZENER, MTZJ15B
ZD715	9A09966600	D, ZENER, MTZJ4.3B

**HEADPHONE PCB ASSY**

REF. NO.	PARTS NO.	DESCRIPTION
	9A09995900	HEADPHONE PCB ASSY
	9A09959600	JACK, D6.5

**POWER SW PCB ASSY**

REF. NO.	PARTS NO.	DESCRIPTION
	9A09995800	POWER SW PCB ASSY
	△ 9A09959200	SW, PUSH, SDDL-005-S

**ST/BY PCB ASSY**

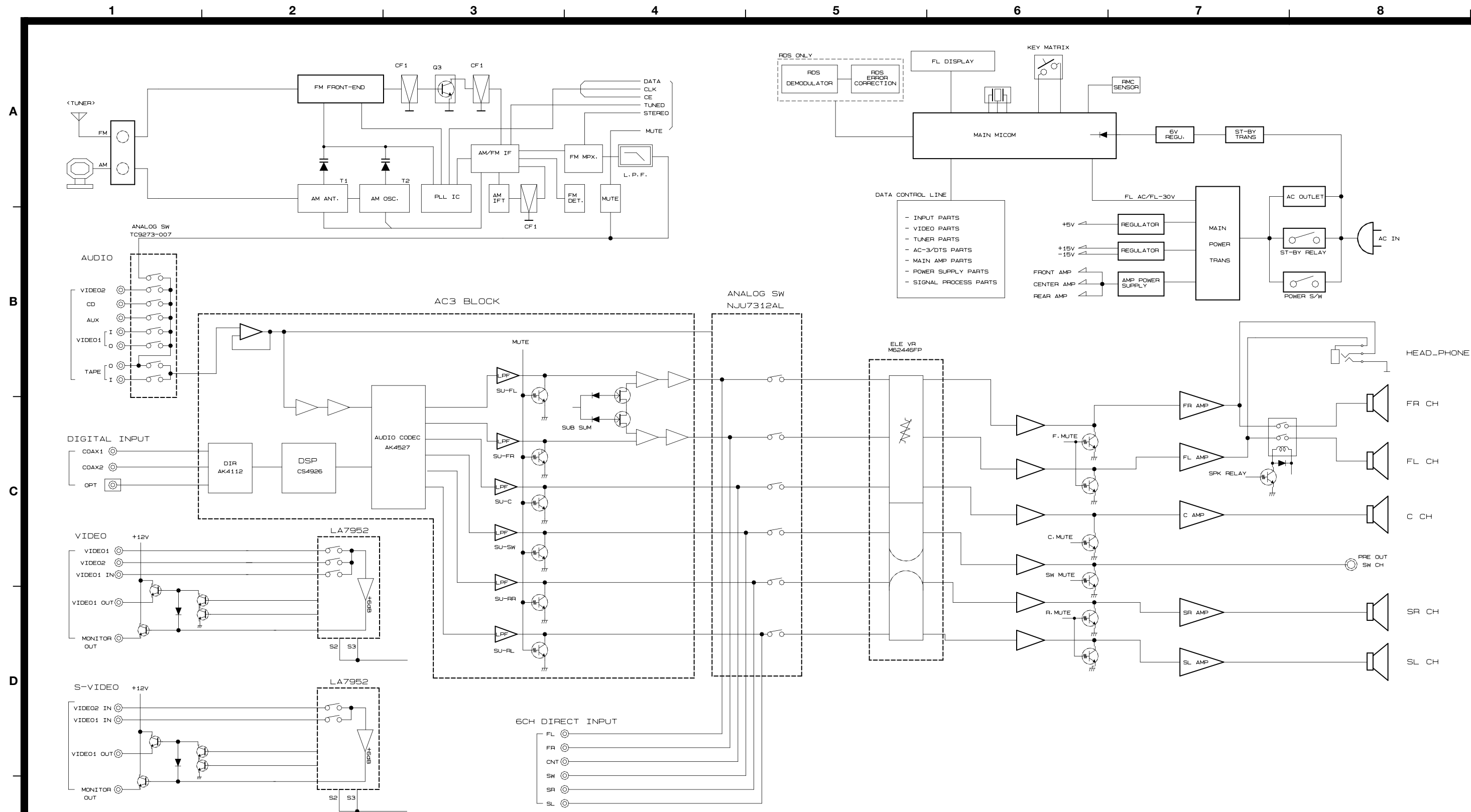
REF. NO.	PARTS NO.	DESCRIPTION
	9A09978300	ST/BY PCB ASSY
CP715	9A09969500	CN, WAFER, G1L-S-2P-S2L2-EF
SW307	9A09959500	SW, TACT, SKHV10920A

## 6 INCLUDED ACCESSORIES

### INCLUDED ACCESSORIES

REF. NO.	PARTS NO.	DESCRIPTION	REMARKS
	9A09996000	OWNER'S MANUAL, E/F/S	
	9A09996100	OWNER'S MANUAL, D/I/N [E]	
	9A09986000	REMOTE CONTROL UNIT, UR-422	
	9A09985700	BATTERY, DRY, AAA	
	9A09985500	ANTENNA, ROOP, STD	
	9A09985600	ANTENNA, WIRE, 67029	
	9A09985800	MATCHING TRANS	

# TEAC BLOCK DIAGRAM AG-5D

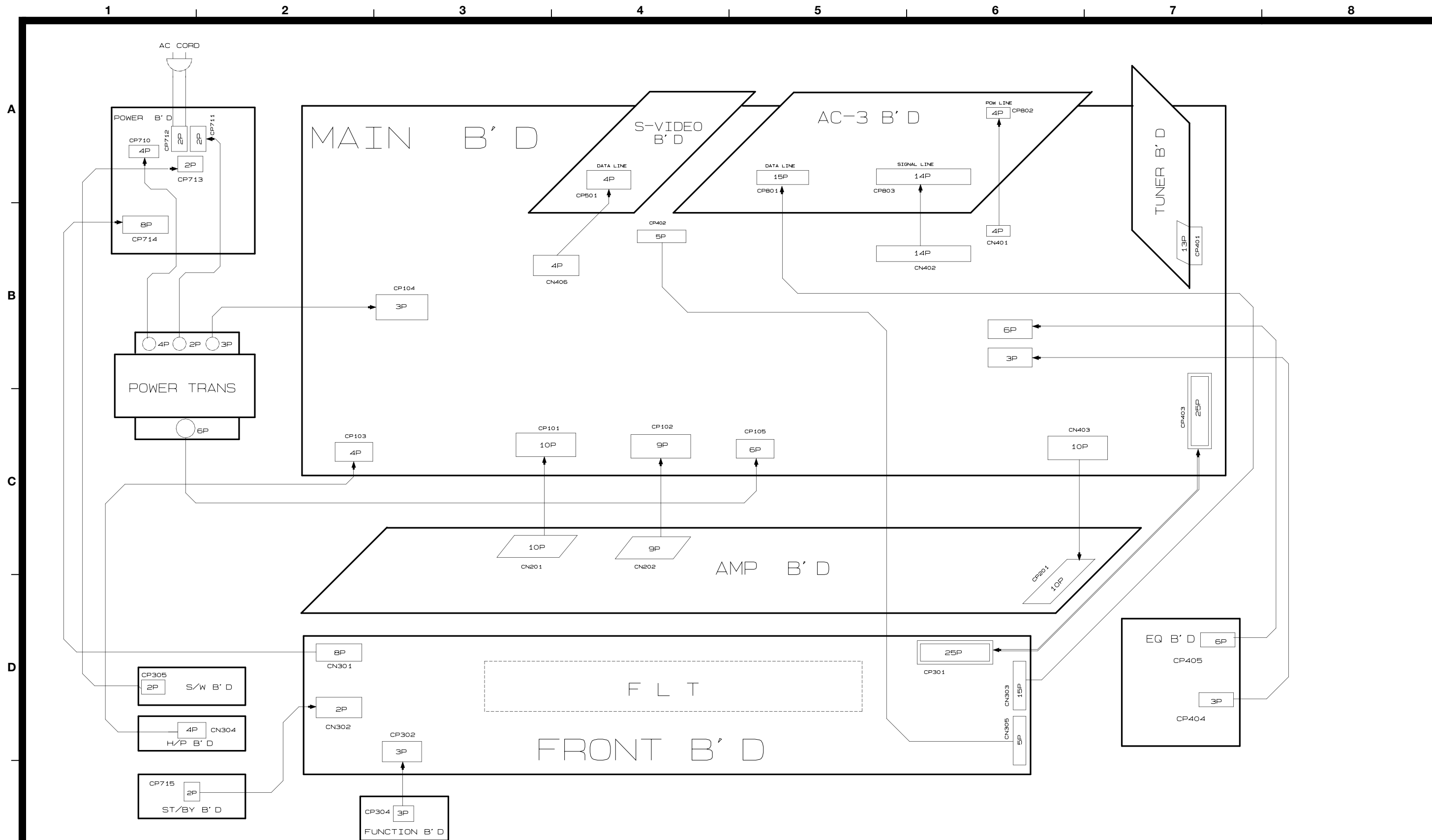


# AG-5D

## AV Digital Home Theater Receiver

1st Issue; January 2004

# TEAC WIRING DIAGRAM AG-5D

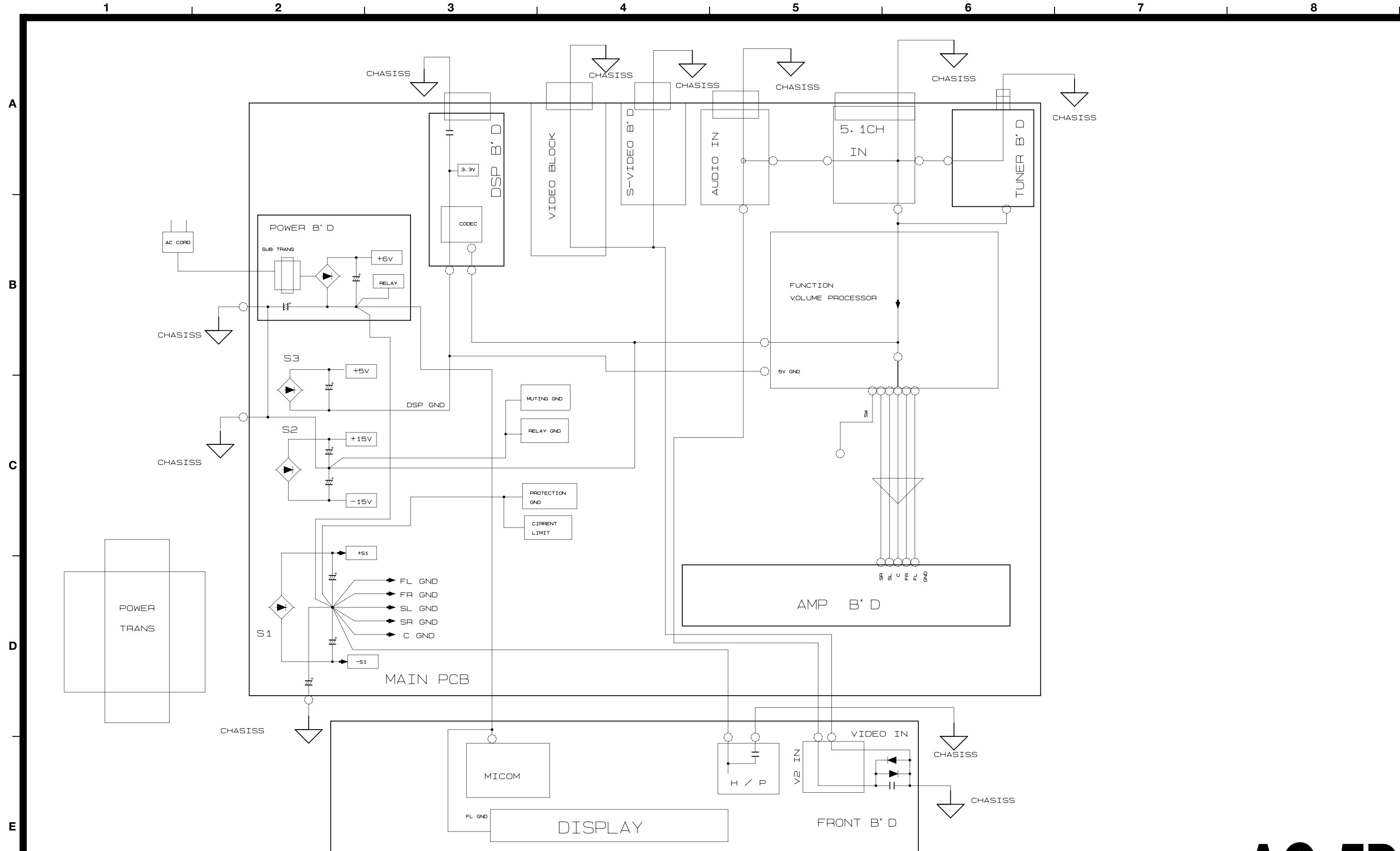


# AG-5D

AV Digital Home Theater Receiver

1st Issue; January 2004

# TEAC GROUND DIAGRAM AG-5D

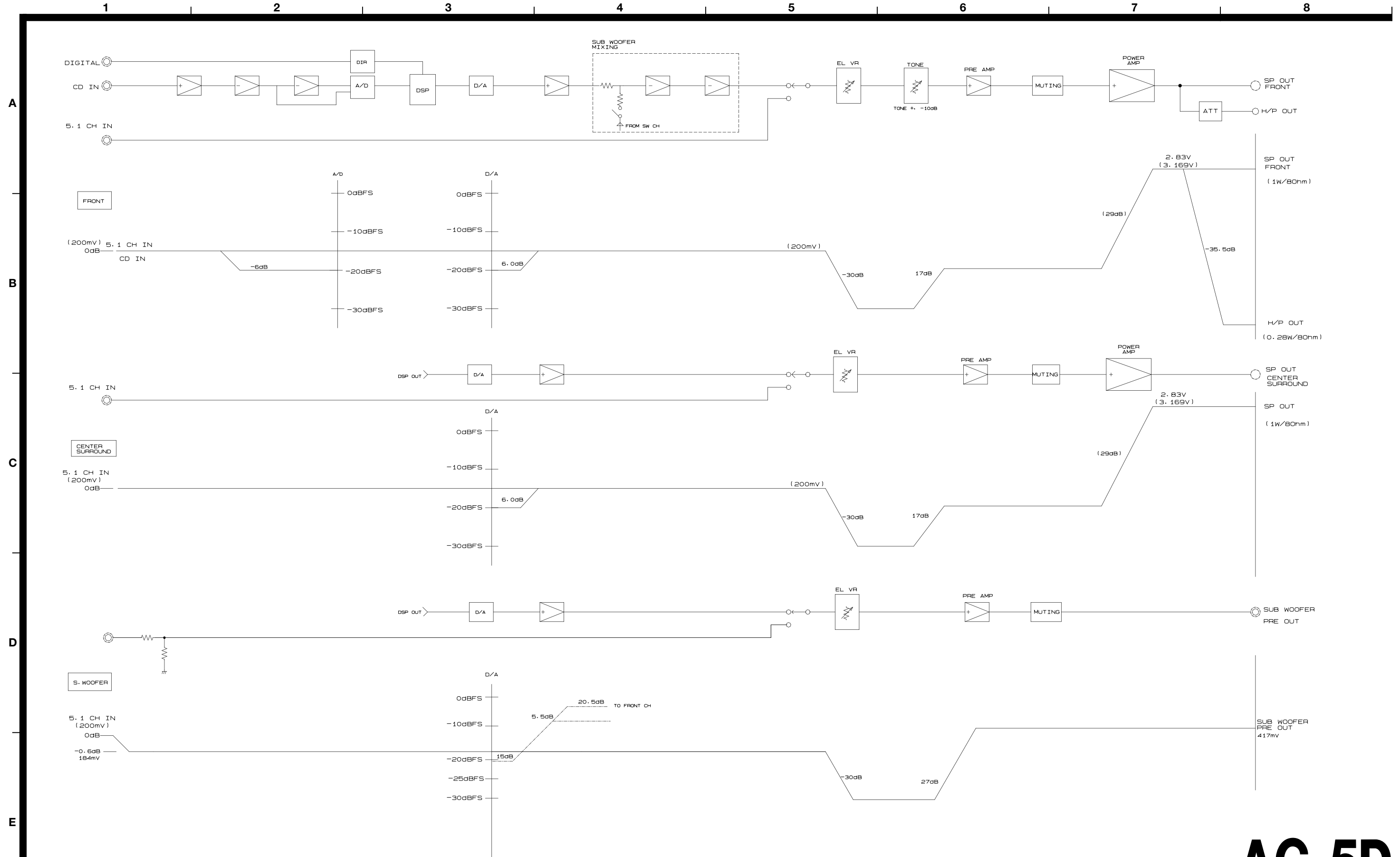


# AG-5D

## AV Digital Home Theater Receiver

1st Issue; January 2004

# TEAC LEVEL DIAGRAM AG-5D

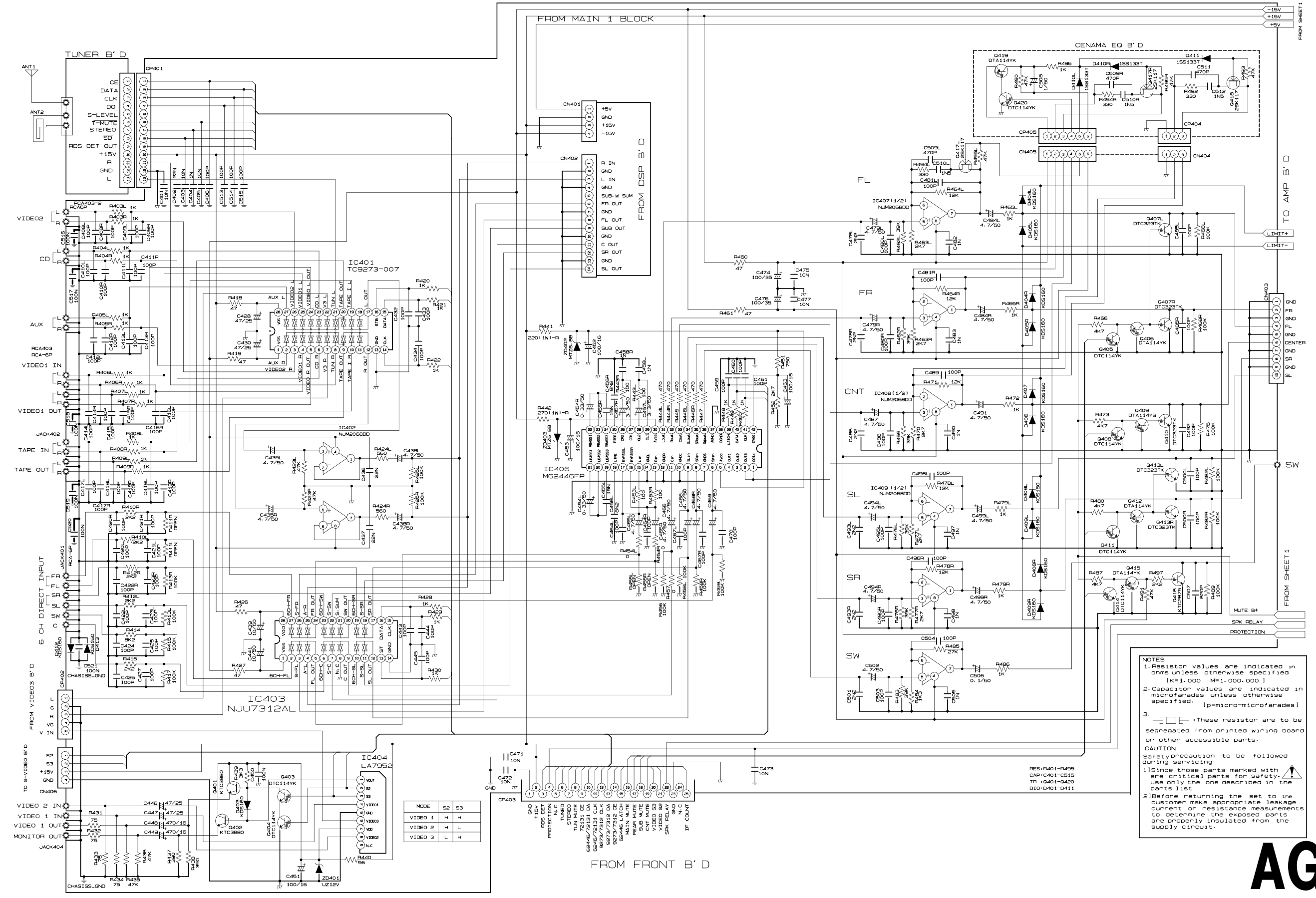




# TEAC SCHEMATIC DIAGRAM AG-5D MAIN PCB (1/2), CINEMA EQ PCB

1 2 3 4 5 6 7 8

A  
B  
C  
D  
E



MODE	S2	S3
VIDEO 1	H	H
VIDEO 2	H	L
VIDEO 3	L	H

**NOTES**

- Resistor values are indicated in ohms unless otherwise specified. [k=1,000 M=1,000,000]
- Capacitor values are indicated in microfarads unless otherwise specified. [p=micro-microfarads]
- These resistors are to be segregated from printed wiring board or other accessible parts.

**CAUTION**  
Safety precaution to be followed during servicing.

1) Since those parts marked with are critical parts for safety, use only the one described in the parts list.

2) Before returning the set to the customer make appropriate leakage current or resistance measurements to determine the exposed parts are properly insulated from the supply circuit.

# AG-5D

AV Digital Home Theater Receiver  
1st Issue; January 2004

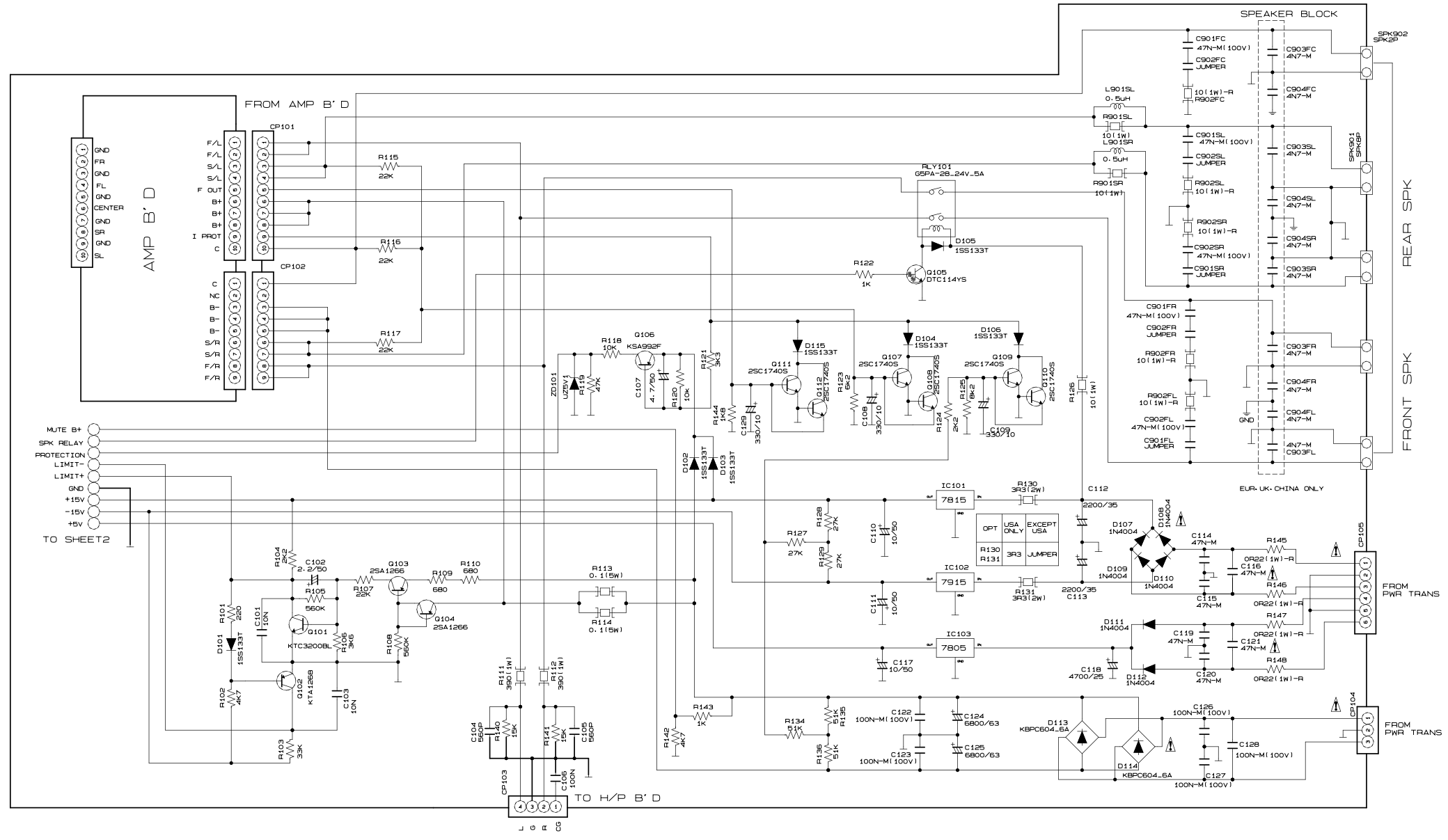
A

B

C

D

E

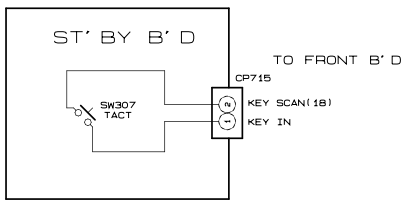
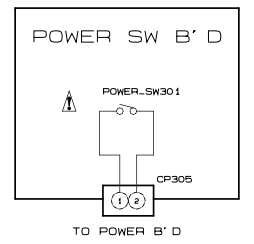
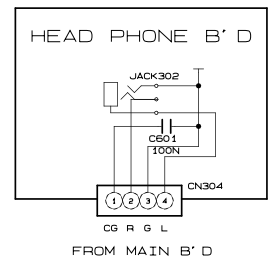


**NOTES**

1. Resistor values are indicated in ohms unless otherwise specified [K=1,000 M=1,000,000]
2. Capacitor values are indicated in microfarads unless otherwise specified. [p=micro-microfarads]
3. : These resistor are to be segregated from printed wiring board or other accessible parts.

**CAUTION**  
Safety precaution to be followed during servicing

- 1) Since those parts marked with are critical parts for safety, use only the one described in the parts list
- 2) Before returning the set to the customer make appropriate leakage current or resistance measurements to determine the exposed parts are properly insulated from the supply circuit.



# TEAC SCHEMATIC DIAGRAM AG-5D DSP PCB

1 2 3 4 5 6 7 8

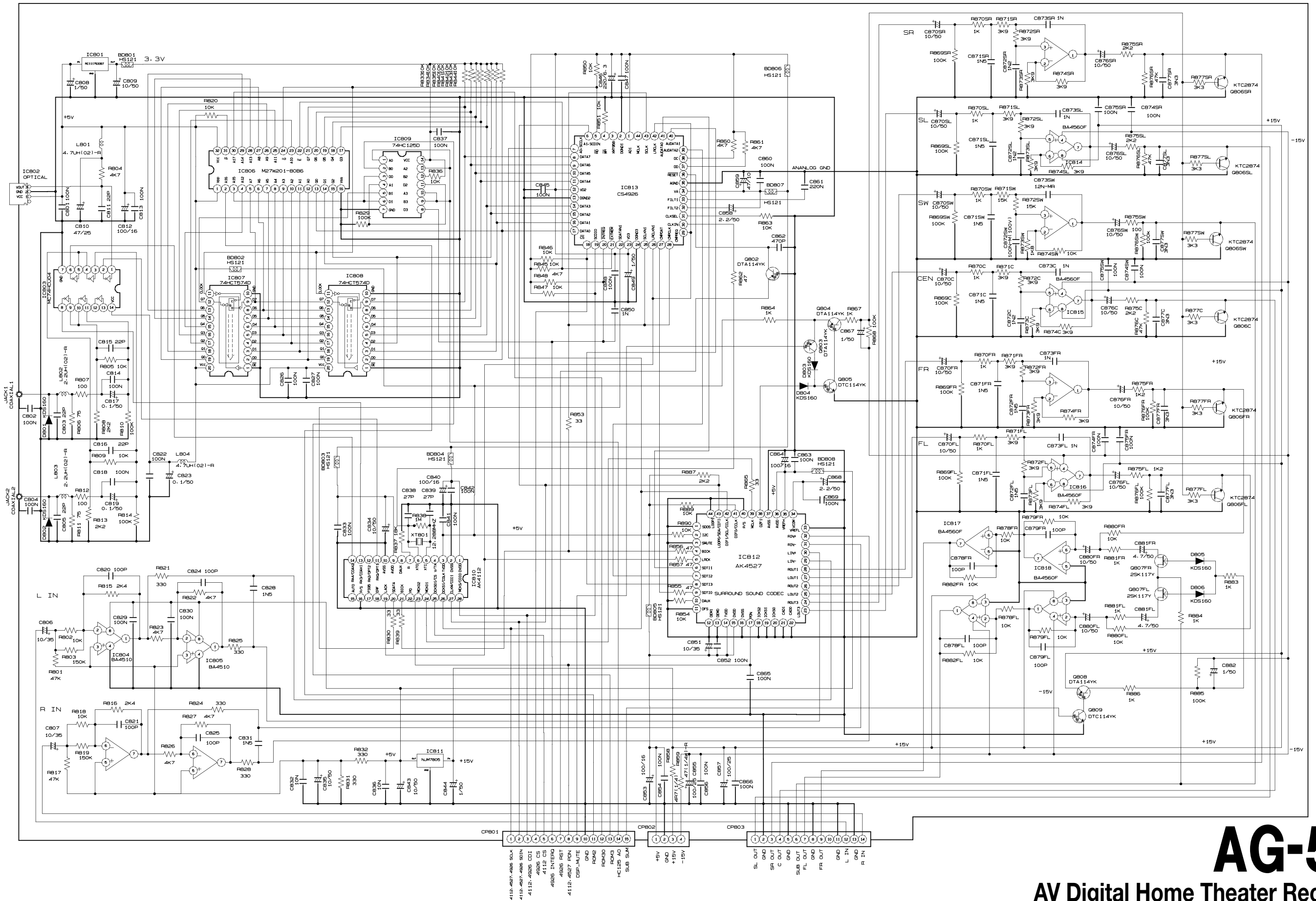
A

B

C

D

E



# AG-5D

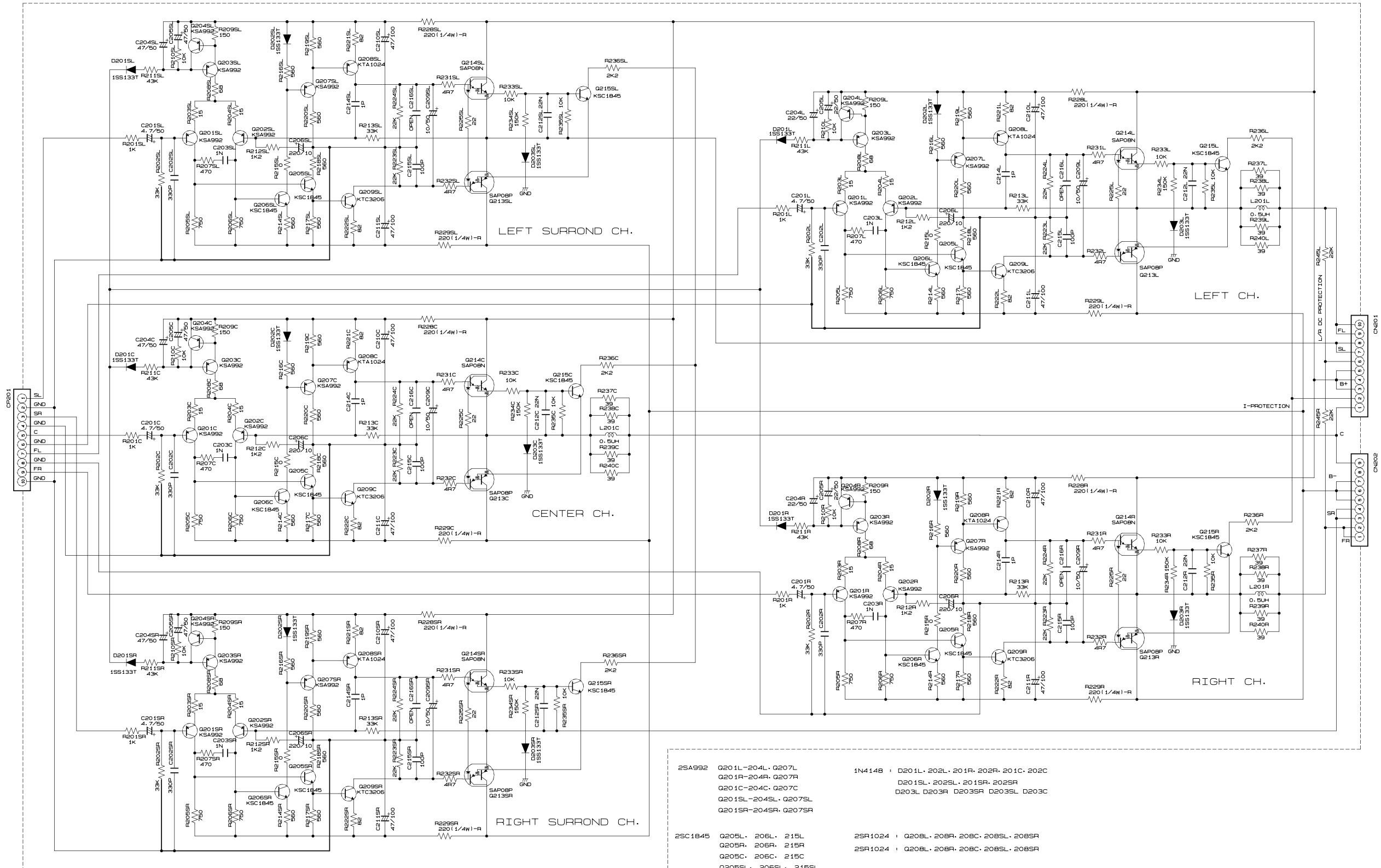
AV Digital Home Theater Receiver

1st Issue; January 2004

# TEAC SCHEMATIC DIAGRAM AG-5D AMP PCB

1 2 3 4 5 6 7 8

A  
B  
C  
D  
E



- |         |   |         |  |
|---------|---|---------|--|
| 2SA992  | Q201L-204L, Q207L<br>Q201R-204R, Q207R<br>Q201C-204C, Q207C<br>Q201SL-204SL, Q207SL<br>Q201SR-204SR, Q207SR | 1N4148  | D201L, 202L, 201R, 202R, 201C, 202C<br>D201S, 202S, 201SR, 202SR<br>D203L, D203R, D203SR, D203SL, D203CR |
| 2SC1845 | Q205L, 206L, 215L<br>Q205R, 206R, 215R<br>Q205C, 206C, 215C<br>Q205SL, 206SL, 215SL<br>Q205SR, 206SR, 215SR | 2SR1024 | Q208L, 208R, 208C, 208SL, 208SR  |
|         |   | 2SR1024 | Q208L, 208R, 208C, 208SL, 208SR  |



# TEAC SCHEMATIC DIAGRAM AG-5D FRONT PCB, FUNCTION PCB

1 2 3 4 5 6 7 8

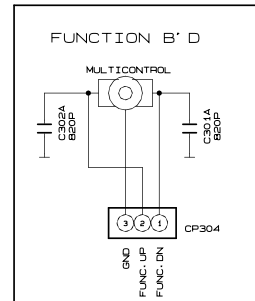
A

B

C

D

E



FROM FUNCTION B'D

FROM POWER B'D

FROM ST/BY B'D

4112/4527/4926 CLK

4112/4527/4926 SOI

4112/4926 CDI

4926 CS

4112CS

4926 INTERQ

4926 RST

4112/4527 PPN

DSP MUTE

GND

ROM2

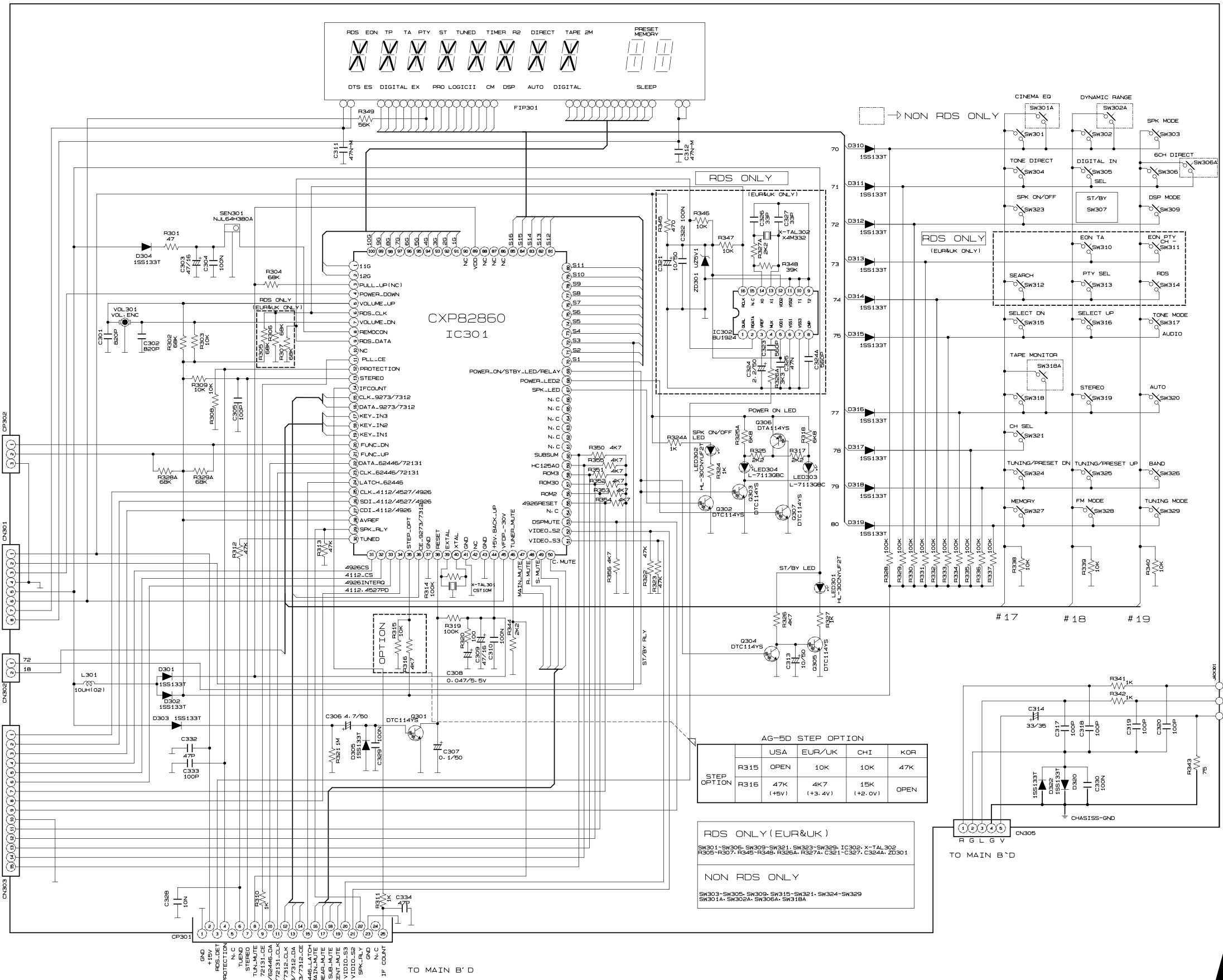
ROM3

HC125A0

SUB SUM

TO DSP B'D

TO MAIN B'D

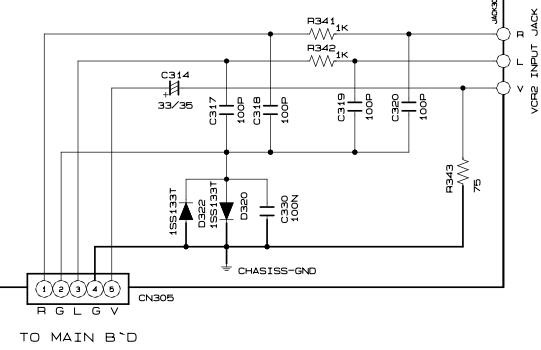


AG-5D STEP OPTION

STEP OPTION	USA	EUR/UK	CHI	KOR
R315	OPEN	10K	10K	47K
R316	47K (+5V)	4K7 (+3.4V)	15K (+2.0V)	OPEN

RDS ONLY (EUR&UK)  
 SW301-SW306, SW309-SW321, SW323-SW329, IC302, X-TAL302  
 R305-R307, R346-R348, R326A, R327A, C321-C327, C324A, ZD301

NON RDS ONLY  
 SW303-SW305, SW309, SW315-SW321, SW324-SW329  
 SW301A, SW302A, SW306A, SW318A

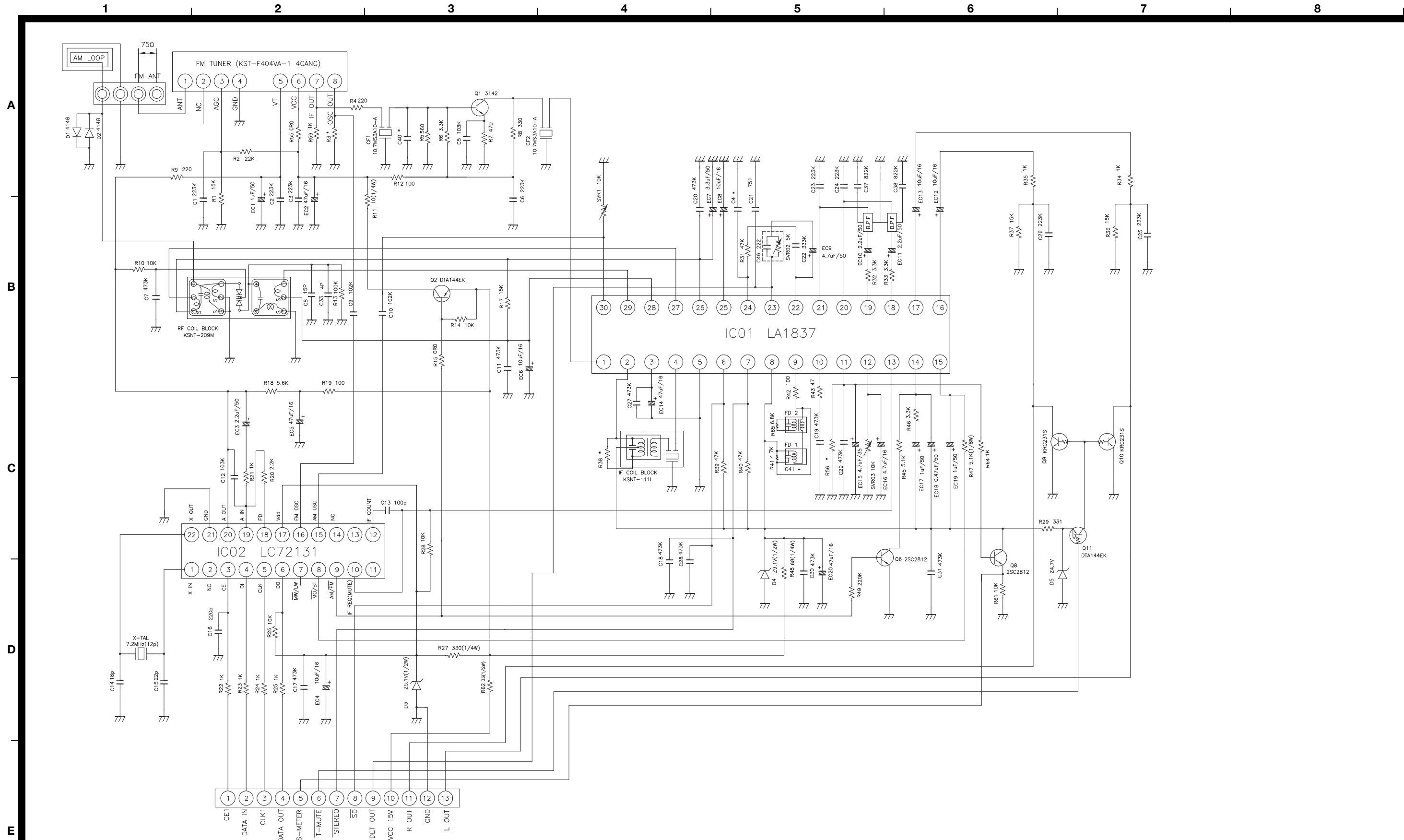


# AG-5D

AV Digital Home Theater Receiver

1st Issue, January 2004

# TEAC SCHEMATIC DIAGRAM AG-5D TUNER PCB



# AG-5D

AV Digital Home Theater Receiver

1st Issue, January 2004

# TEAC SCHEMATIC DIAGRAM AG-5D S-VIDEO PCB, POWER PCB

1 2 3 4 5 6 7 8

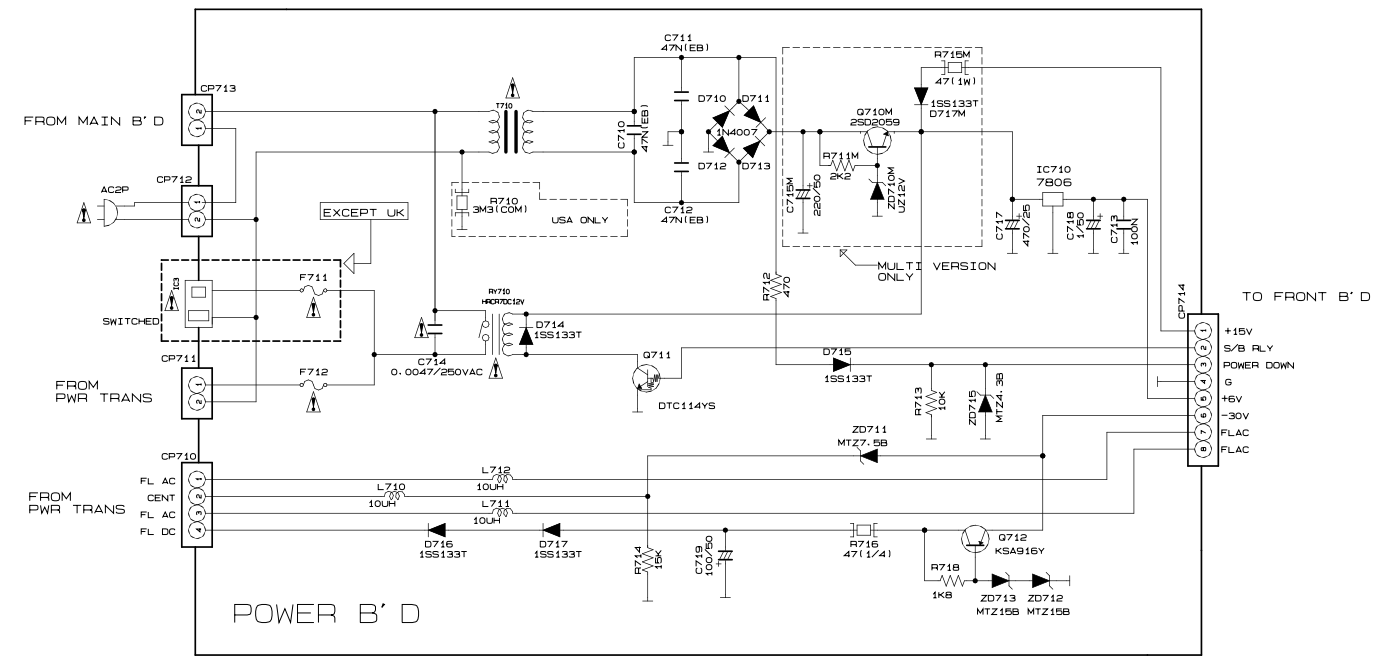
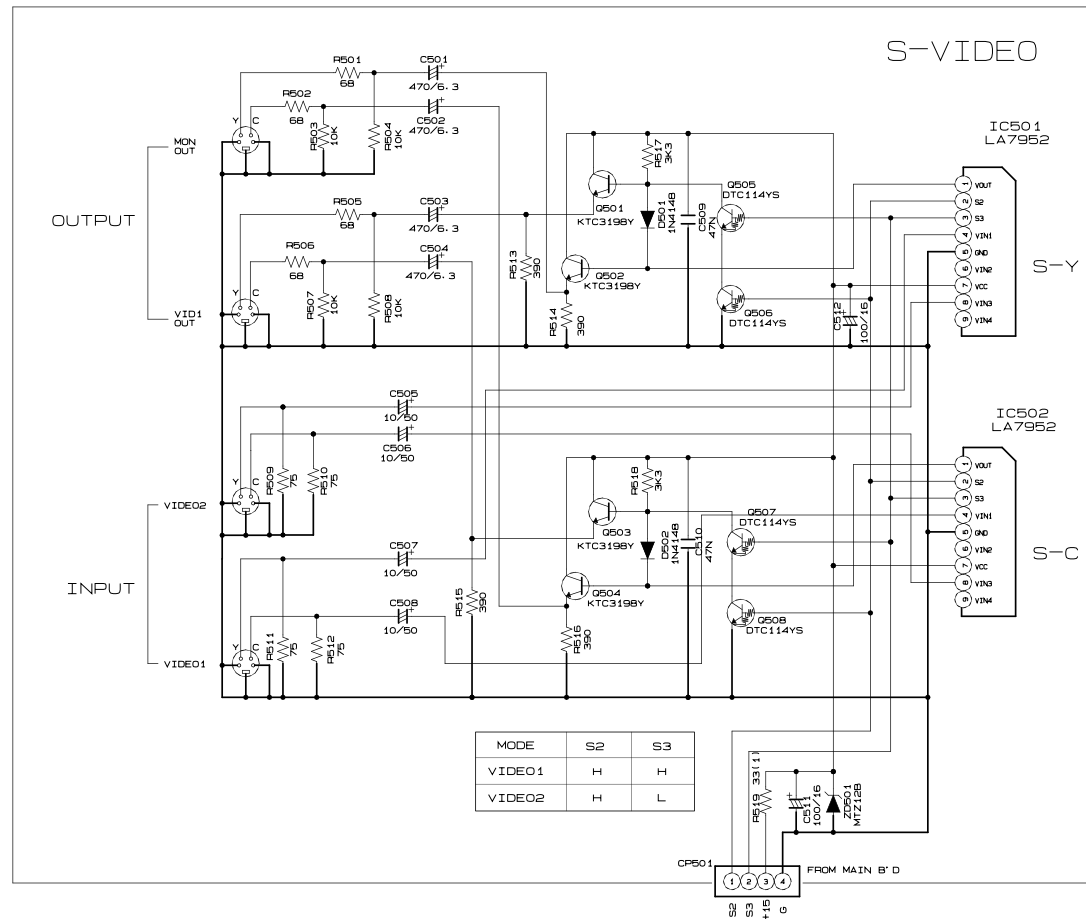
A

B

C

D

E



AREA	F712	F711
USA	S86A / 125V	S82.5A / 250V
EUR	T4AL / 250V	T2.5AL / 250V
UK	T4AL / 250V	—
CHINA	T4AL / 250V	T2.5AL / 250V
KOREA	T4AL / 250V	T2.5AL / 250V

**INSTRUCTIONS FOR SERVICE PERSONNEL**  
 BEFORE RETURNING APPLIANCE TO THE CUSTOMER, MAKE LEAKAGE-CURRENT OR RESISTANCE MEASUREMENTS TO DETERMINE THAT EXPOSED PARTS ARE ACCEPTABLY INSULATED FROM THE SUPPLY CIRCUIT.

## HOME THEATER SYS,AG-5D EUR

	LEVEL	PARTS NO.	DESCRIPTION	Q'TY	REF NO.
1	1	9A09994400	GUIDE A PCB ASSY	1	
2	.2	9A09976100	CLAMP,HMX9800 DARA-2/WIRE	1	CLAMP101
3	1	9A09998300	FRONT PCB ASSY (EUR)	1	
4	.2	9A09976000	HOLDER,D-M2(L)(DENON) ABS	1	
5	.2	9A09976200	JUMPER, (0.6/52MM)	1	
6	.2	9A09979000	R,CARBON,100-J,1/5W-52RE	1	R320
7	.2	9A09944300	R,CARBON,1K-J,1/5W	1	R324
8	.2	9A09944300	R,CARBON,1K-J,1/5W	1	R327
9	.2	9A09944300	R,CARBON,1K-J,1/5W	1	R310
10	.2	9A09944300	R,CARBON,1K-J,1/5W	1	R311
11	.2	9A09944300	R,CARBON,1K-J,1/5W	1	R341
12	.2	9A09944300	R,CARBON,1K-J,1/5W	1	R342
13	.2	9A09944300	R,CARBON,1K-J,1/5W	1	R324A
14	.2	9A09944400	R,CARBON,10K-J,1/5W	1	R303
15	.2	9A09944400	R,CARBON,10K-J,1/5W	1	R308
16	.2	9A09944400	R,CARBON,10K-J,1/5W	1	R309
17	.2	9A09944400	R,CARBON,10K-J,1/5W	1	R339
18	.2	9A09944400	R,CARBON,10K-J,1/5W	1	R338
19	.2	9A09944400	R,CARBON,10K-J,1/5W	1	R340
20	.2	9A09944400	R,CARBON,10K-J,1/5W	1	R346
21	.2	9A09944400	R,CARBON,10K-J,1/5W	1	R347
22	.2	9A09944400	R,CARBON,10K-J,1/5W	1	R315
23	.2	9A09944500	R,CARBON,100K-J,1/5W-52RE	1	R314
24	.2	9A09944500	R,CARBON,100K-J,1/5W-52RE	1	R319
25	.2	9A09944500	R,CARBON,100K-J,1/5W-52RE	1	R328
26	.2	9A09944500	R,CARBON,100K-J,1/5W-52RE	1	R329
27	.2	9A09944500	R,CARBON,100K-J,1/5W-52RE	1	R330
28	.2	9A09944500	R,CARBON,100K-J,1/5W-52RE	1	R331
29	.2	9A09944500	R,CARBON,100K-J,1/5W-52RE	1	R332
30	.2	9A09944500	R,CARBON,100K-J,1/5W-52RE	1	R333
31	.2	9A09944500	R,CARBON,100K-J,1/5W-52RE	1	R334
32	.2	9A09944500	R,CARBON,100K-J,1/5W-52RE	1	R335
33	.2	9A09944500	R,CARBON,100K-J,1/5W-52RE	1	R336
34	.2	9A09944500	R,CARBON,100K-J,1/5W-52RE	1	R337
35	.2	9A09944600	R,CARBON,1M-J,1/5W-52RE	1	R321
36	.2	9A09945300	R,CARBON,2.2K-J,1/5W	1	R344
37	.2	9A09945300	R,CARBON,2.2K-J,1/5W	1	R327A
38	.2	9A09945300	R,CARBON,2.2K-J,1/5W	1	R317
39	.2	9A09945300	R,CARBON,2.2K-J,1/5W	1	R325
40	.2	9A09945700	R,CARBON,3.3K-J,1/5W-52RE	1	R326A
41	.2	9A09946000	R,CARBON,39K-J,1/5W-52RE	1	R348
42	.2	9A09946200	R,CARBON,47-J,1/5W	1	R301
43	.2	9A09946300	R,CARBON,470-J,1/5W-52RE	1	R345
44	.2	9A09946400	R,CARBON,4.7K-J,1/5W	1	R326
45	.2	9A09946400	R,CARBON,4.7K-J,1/5W	1	R350
46	.2	9A09946400	R,CARBON,4.7K-J,1/5W	1	R351
47	.2	9A09946400	R,CARBON,4.7K-J,1/5W	1	R352
48	.2	9A09946400	R,CARBON,4.7K-J,1/5W	1	R353
49	.2	9A09946400	R,CARBON,4.7K-J,1/5W	1	R354
50	.2	9A09946400	R,CARBON,4.7K-J,1/5W	1	R355
51	.2	9A09946400	R,CARBON,4.7K-J,1/5W	1	R356
52	.2	9A09946400	R,CARBON,4.7K-J,1/5W	1	R316



53	.2	9A09946500	R,CARBON,47K-J,1/5W	1	R322
54	.2	9A09946500	R,CARBON,47K-J,1/5W	1	R323
55	.2	9A09946500	R,CARBON,47K-J,1/5W	1	R312
56	.2	9A09946500	R,CARBON,47K-J,1/5W	1	R313
57	.2	9A10224700	R,56K-J,1/5W-52RE-AX	1	R349
58	.2	9A09947200	R,CARBON,6.8K-J,1/5W-52RE	1	R318
59	.2	9A09947200	R,CARBON,6.8K-J,1/5W-52RE	1	R325A
60	.2	9A09947300	R,CARBON,68K-J,1/5W-52RE	1	R302
61	.2	9A09947300	R,CARBON,68K-J,1/5W-52RE	1	R304
62	.2	9A09947300	R,CARBON,68K-J,1/5W-52RE	1	R305
63	.2	9A09947300	R,CARBON,68K-J,1/5W-52RE	1	R306
64	.2	9A09947300	R,CARBON,68K-J,1/5W-52RE	1	R307
65	.2	9A09947300	R,CARBON,68K-J,1/5W-52RE	1	R328A
66	.2	9A09947300	R,CARBON,68K-J,1/5W-52RE	1	R329A
67	.2	9A09947400	R,CARBON,75-J,1/5W-52RE	1	R343
68	.2	9A09979200	R,NET,100KJ*7-H5.08*2.54-	1	AR302
69	.2	9A09949100	R,NET,100KJ*9-H5.08*2.54	1	AR301
70	.2	9A09953300	CC,SL33PF-J/50V-52RE	1	C326
71	.2	9A09953300	CC,SL33PF-J/50V-52RE	1	C327
72	.2	9A09953400	CC,SL47PF-J/50V-52RE	1	C332
73	.2	9A09953400	CC,SL47PF-J/50V-52RE	1	C334
74	.2	9A09953700	CC,B100PF-K/50V-52RE	1	C305
75	.2	9A09953700	CC,B100PF-K/50V-52RE	1	C317
76	.2	9A09953700	CC,B100PF-K/50V-52RE	1	C318
77	.2	9A09953700	CC,B100PF-K/50V-52RE	1	C319
78	.2	9A09953700	CC,B100PF-K/50V-52RE	1	C320
79	.2	9A09953700	CC,B100PF-K/50V-52RE	1	C333
80	.2	9A09953900	CC,Y0.01UF-M/16V-52RE	1	C328
81	.2	9A09954000	CC,F0.1UF-Z/50V-52RE	1	C304
82	.2	9A09954000	CC,F0.1UF-Z/50V-52RE	1	C310
83	.2	9A09954000	CC,F0.1UF-Z/50V-52RE	1	C322
84	.2	9A09954000	CC,F0.1UF-Z/50V-52RE	1	C329
85	.2	9A09954000	CC,F0.1UF-Z/50V-52RE	1	C330
86	.2	9A09954400	CC,F0.047UF-Z/50V-52RE	1	C325
87	.2	9A09954500	CC,B560PF-K/50V-52RE	1	C324A
88	.2	9A09954500	CC,B560PF-K/50V-52RE	1	C323
89	.2	9A09954600	CC,B820PF-K/50V-52RE	1	C301
90	.2	9A09954600	CC,B820PF-K/50V-52RE	1	C302
91	.2	9A09956900	C,POLY,ST-0.047UF-J/100V	1	C311
92	.2	9A09956900	C,POLY,ST-0.047UF-J/100V	1	C312
93	.2	9A10223900	CE,0.1UF-M/50V,4*7 SY	1	C307
94	.2	9A09957800	C,H0.047F-70UA/5.5V-5RE	1	C308
95	.2	9A09957900	COIL,10UH-Q40/24M-R2.5	1	L301
96	.2	9A09958800	CRYSTAL,4.332MHZ,HC-49S	1	X-TAL302
97	.2	9A09958900	RESO,CSTLS10M0G53-A010MHZ	1	X-TAL301
98	.2	9A09959100	MODULE,REMOCON,NJL64H380A	1	SEN301
99	.2	9A09959400	SW,ENCODER,EC16B24304	1	VOL301
100	.2	9A09959500	SW,TACT,SKHV10920A,5MM/	1	SW319
101	.2	9A09959500	SW,TACT,SKHV10920A,5MM/	1	SW320
102	.2	9A09959500	SW,TACT,SKHV10920A,5MM/	1	SW321
103	.2	9A09959500	SW,TACT,SKHV10920A,5MM/	1	SW323
104	.2	9A09959500	SW,TACT,SKHV10920A,5MM/	1	SW324
105	.2	9A09959500	SW,TACT,SKHV10920A,5MM/	1	SW325
106	.2	9A09959500	SW,TACT,SKHV10920A,5MM/	1	SW326
107	.2	9A09959500	SW,TACT,SKHV10920A,5MM/	1	SW327
108	.2	9A09959500	SW,TACT,SKHV10920A,5MM/	1	SW328
109	.2	9A09959500	SW,TACT,SKHV10920A,5MM/	1	SW329

110	.2	9A09959500	SW,TACT,SKHV10920A,5MM/	1	SW318
111	.2	9A09959500	SW,TACT,SKHV10920A,5MM/	1	SW301
112	.2	9A09959500	SW,TACT,SKHV10920A,5MM/	1	SW302
113	.2	9A09959500	SW,TACT,SKHV10920A,5MM/	1	SW303
114	.2	9A09959500	SW,TACT,SKHV10920A,5MM/	1	SW304
115	.2	9A09959500	SW,TACT,SKHV10920A,5MM/	1	SW305
116	.2	9A09959500	SW,TACT,SKHV10920A,5MM/	1	SW306
117	.2	9A09959500	SW,TACT,SKHV10920A,5MM/	1	SW309
118	.2	9A09959500	SW,TACT,SKHV10920A,5MM/	1	SW310
119	.2	9A09959500	SW,TACT,SKHV10920A,5MM/	1	SW311
120	.2	9A09959500	SW,TACT,SKHV10920A,5MM/	1	SW312
121	.2	9A09959500	SW,TACT,SKHV10920A,5MM/	1	SW313
122	.2	9A09959500	SW,TACT,SKHV10920A,5MM/	1	SW314
123	.2	9A09959500	SW,TACT,SKHV10920A,5MM/	1	SW315
124	.2	9A09959500	SW,TACT,SKHV10920A,5MM/	1	SW316
125	.2	9A09959500	SW,TACT,SKHV10920A,5MM/	1	SW317
126	.2	9A09998400	IC,MICOM,CXP32852-3920	1	IC301
127	.2	9A09963100	IC,LINEAR RF,BU1924F /RDS	1	IC302
128	.2	9A09966000	BRT,TR KRA107M PNP	1	Q306
129	.2	9A09966100	BRT,KRC107M,0.4W/TO92M-RL	1	Q301
130	.2	9A09966100	BRT,KRC107M,0.4W/TO92M-RL	1	Q302
131	.2	9A09966100	BRT,KRC107M,0.4W/TO92M-RL	1	Q303
132	.2	9A09966100	BRT,KRC107M,0.4W/TO92M-RL	1	Q304
133	.2	9A09966100	BRT,KRC107M,0.4W/TO92M-RL	1	Q305
134	.2	9A09966100	BRT,KRC107M,0.4W/TO92M-RL	1	Q307
135	.2	9A09966200	DIODE,1SS133T-72-52MM	1	D301
136	.2	9A09966200	DIODE,1SS133T-72-52MM	1	D302
137	.2	9A09966200	DIODE,1SS133T-72-52MM	1	D303
138	.2	9A09966200	DIODE,1SS133T-72-52MM	1	D304
139	.2	9A09966200	DIODE,1SS133T-72-52MM	1	D305
140	.2	9A09966200	DIODE,1SS133T-72-52MM	1	D310
141	.2	9A09966200	DIODE,1SS133T-72-52MM	1	D311
142	.2	9A09966200	DIODE,1SS133T-72-52MM	1	D312
143	.2	9A09966200	DIODE,1SS133T-72-52MM	1	D313
144	.2	9A09966200	DIODE,1SS133T-72-52MM	1	D314
145	.2	9A09966200	DIODE,1SS133T-72-52MM	1	D315
146	.2	9A09966200	DIODE,1SS133T-72-52MM	1	D316
147	.2	9A09966200	DIODE,1SS133T-72-52MM	1	D317
148	.2	9A09966200	DIODE,1SS133T-72-52MM	1	D318
149	.2	9A09966200	DIODE,1SS133T-72-52MM	1	D319
150	.2	9A09966200	DIODE,1SS133T-72-52MM	1	D320
151	.2	9A09966200	DIODE,1SS133T-72-52MM	1	D322
152	.2	9A09966700	D,ZENER,MTZJ5.1B-0.5W	1	ZD301
153	.2	9A09967200	LED,ROUND,HL-30CNYUF2T-5R	1	LED302
154	.2	9A09967200	LED,ROUND,HL-30CNYUF2T-5R	1	LED301
155	.2	9A09967300	LED,ROUND,L-7113QBC-C-TNB	1	LED303
156	.2	9A09967300	LED,ROUND,L-7113QBC-C-TNB	1	LED304
157	.2	9A09967400	DISPLAY,FLT,HNA-12MM35	1	FIP301
158	.2	9A10224800	CN,15P GILS-15=9073-15 WH	1	CN303
159	.2	9A10224900	CN,8P GILT-08,GILS-08 WH2	1	CN301
160	.2	9A09968600	CN,WIRE,80MM/2P GIL-S-02	1	CN302
161	.2	9A10225000	CN,WIRE,CNT ASS'Y 450MM 5	1	CN305
162	.2	9A09971100	CN,FPC,52492-2520 25P BOT	1	CP301
163	.2	9A09971400	CE,10UF/50V(M) 5X11,P=5	1	C313
164	.2	9A09971400	CE,10UF/50V(M) 5X11,P=5	1	C321
165	.2	9A09972400	CE,2.2UF/50V(M) 5X11,P=5	1	C324
166	.2	9A09972600	CE,33UF/35V(M) 5X11,P=5	1	C314

167	.2	9A09973000	CE,47UF/16V(M) 5X11,P=5	1	C303
168	.2	9A09973000	CE,47UF/16V(M) 5X11,P=5	1	C309
169	.2	9A09973400	CE,4.7UF/50V(M) 5X11,P=5	1	C306
170	.2	9A09973500	CN,ASSY 2MM BD-BD,80MM/3P	1	CP302
171	1	9A09991600	OM AG-5D E/F/S	1	
172	1	9A09994500	P.C.B SUB ASSY,GUIDE B,	1	
173	.2	9A09976100	CLAMP,HMX9800 DARA-2/WIRE	1	CLAMP102
174	1	9A09991700	OM AG-5D D/I/N	1	
175	1	9A09995500	CINEMA EQ PCB ASSY	1	
176	.2	9A10219800	R,1K-J,1/10W-2012REEL	1	R496
177	.2	9A10219900	R,330-J,1/10W-2012REEL	1	R492
178	.2	9A10219900	R,330-J,1/10W-2012REEL	1	R494R
179	.2	9A10220000	R,47K-J,1/10W-2012REEL	1	R493
180	.2	9A10220000	R,47K-J,1/10W-2012REEL	1	R495R
181	.2	9A10220000	R,47K-J,1/10W-2012REEL	1	R490
182	.2	9A10220100	CC,COG470PF-J/50V-2012REE	1	C509R
183	.2	9A10220100	CC,COG470PF-J/50V-2012REE	1	C511
184	.2	9A10220200	CC,X7R1500PF-K/50V-2012RE	1	C510R
185	.2	9A10220200	CC,X7R1500PF-K/50V-2012RE	1	C512
186	.2	9A09965200	TR,KRA107S(PH)/SOT-23 RL	1	Q419
187	.2	9A09965600	TR,KRC107S(NH)/SOT-23 RL	1	Q420
188	.2	9A09965900	FET,FET 2SK117Y (TYPE2)	1	Q417R
189	.2	9A09965900	FET,FET 2SK117Y (TYPE2)	1	Q418
190	.2	9A09966200	DIODE,1SS133T-72-52MM	1	D411
191	.2	9A09966200	DIODE,1SS133T-72-52MM	1	D410L
192	.2	9A09966200	DIODE,1SS133T-72-52MM	1	D410R
193	.2	9A10004800	CN,WAFER,TUC-P06X-B1	1	CN405
194	.2	9A10005400	CN,WAFER,35237-0310 3P	1	CP404
195	.2	9A09972000	CE,1UF/50V(M) 5X11,P=5	1	C508
196	1	9A09991900	BOX,AG-5D	1	
197	1	9A09994700	P.C.B TOTAL ASSY,/MAIN,	1	
198	.2	9A09974300	HEAT SINK,REG TR(24X70)	1	
199	.2	9A09994800	HEAT SINK HEAT SINK REG	1	
200	.2	9A09975400	TERM,ALL PBST/GND P-REEL	1	GND101
201	.2	9A09975400	TERM,ALL PBST/GND P-REEL	1	GND102
202	.2	9A09975400	TERM,ALL PBST/GND P-REEL	1	GND103
203	.2	9A09975400	TERM,ALL PBST/GND P-REEL	1	GND104
204	.2	9A09943900	SCREW,TAP TITE,+2S 3*8 B	3	
205	.2	9A09944300	R,CARBON,1K-J,1/5W	1	R450
206	.2	9A09944300	R,CARBON,1K-J,1/5W	1	R472
207	.2	9A09944300	R,CARBON,1K-J,1/5W	1	R479L
208	.2	9A09944300	R,CARBON,1K-J,1/5W	1	R479R
209	.2	9A09944300	R,CARBON,1K-J,1/5W	1	R486
210	.2	9A09944300	R,CARBON,1K-J,1/5W	1	R448
211	.2	9A09944300	R,CARBON,1K-J,1/5W	1	R420
212	.2	9A09944300	R,CARBON,1K-J,1/5W	1	R122
213	.2	9A09944300	R,CARBON,1K-J,1/5W	1	R449
214	.2	9A09944300	R,CARBON,1K-J,1/5W	1	R421
215	.2	9A09944300	R,CARBON,1K-J,1/5W	1	R428
216	.2	9A09944300	R,CARBON,1K-J,1/5W	1	R429
217	.2	9A09944300	R,CARBON,1K-J,1/5W	1	R430
218	.2	9A09944300	R,CARBON,1K-J,1/5W	1	R422
219	.2	9A09945000	R,CARBON,15K-J,1/5W	1	R140
220	.2	9A09945000	R,CARBON,15K-J,1/5W	1	R141
221	.2	9A09945300	R,CARBON,2.2K-J,1/5W	1	R124
222	.2	9A09945600	R,CARBON,27K-J,1/5W	1	R128
223	.2	9A09945600	R,CARBON,27K-J,1/5W	1	R129

224	.2	9A09946200	R,CARBON,47-J,1/5W	1	R460
225	.2	9A09946200	R,CARBON,47-J,1/5W	1	R461
226	.2	9A09946200	R,CARBON,47-J,1/5W	1	R418
227	.2	9A09946200	R,CARBON,47-J,1/5W	1	R419
228	.2	9A09946200	R,CARBON,47-J,1/5W	1	R426
229	.2	9A09946200	R,CARBON,47-J,1/5W	1	R427
230	.2	9A09946400	R,CARBON,4.7K-J,1/5W	1	R487
231	.2	9A09946400	R,CARBON,4.7K-J,1/5W	1	R466
232	.2	9A09946500	R,CARBON,47K-J,1/5W	1	R491
233	.2	9A09946600	R,CARBON,51K-J,1/5W	1	R136
234	.2	9A09946600	R,CARBON,51K-J,1/5W	1	R134
235	.2	9A09946600	R,CARBON,51K-J,1/5W	1	R135
236	.2	9A09946700	R,CARBON,56-J,1/5W	1	R440
237	.2	9A09947100	R,CARBON,680-J,1/5W	1	R110
238	.2	9A09947500	R,CARBON,750-J,1/5W-52RE-	1	R451
239	.2	9A09948100	R,METAL,10-J,1W-R.REEL	1	R902FL
240	.2	9A09948100	R,METAL,10-J,1W-R.REEL	1	R902SL
241	.2	9A09948100	R,METAL,10-J,1W-R.REEL	1	R902SR
242	.2	9A09948100	R,METAL,10-J,1W-R.REEL	1	R902FC
243	.2	9A09948100	R,METAL,10-J,1W-R.REEL	1	R902FR
244	.2	9A09948200	R,METAL,RES MF 10 OHM 1W	1	R126
245	.2	9A09948200	R,METAL,RES MF 10 OHM 1W	1	R901SL
246	.2	9A09948200	R,METAL,RES MF 10 OHM 1W	1	R901SR
247	.2	9A10002900	R,METAL,1K-J 1W	1	R143
248	.2	9A09948500	R,METAL,220-J,1W-R.REEL	1	R441
249	.2	9A10220300	R,270-J,1/4W-R.REEL	1	R442
250	.2	9A09948700	R,METAL,390-J,1W-52RE-AX	1	R111
251	.2	9A09948700	R,METAL,390-J,1W-52RE-AX	1	R112
252	.2	9A10003000	R,METAL,4.7K-J 1W	1	R142
253	.2	9A09947900	R,METAL,0.22-J,1W-R.REEL	1	R145
254	.2	9A09947900	R,METAL,0.22-J,1W-R.REEL	1	R146
255	.2	9A09947900	R,METAL,0.22-J,1W-R.REEL	1	R147
256	.2	9A09947900	R,METAL,0.22-J,1W-R.REEL	1	R148
257	.2	9A09949000	R,CEMENT,0.1-J/5W,W14*H17	1	R113
258	.2	9A09949000	R,CEMENT,0.1-J/5W,W14*H17	1	R114
259	.2	9A10220400	R,0-J,1/10W-2012REEL	1	J603
260	.2	9A10220400	R,0-J,1/10W-2012REEL	1	J604
261	.2	9A10220400	R,0-J,1/10W-2012REEL	1	J624
262	.2	9A10220400	R,0-J,1/10W-2012REEL	1	J625
263	.2	9A10220400	R,0-J,1/10W-2012REEL	1	J627
264	.2	9A10220400	R,0-J,1/10W-2012REEL	1	J601
265	.2	9A10220400	R,0-J,1/10W-2012REEL	1	R454L
266	.2	9A10220400	R,0-J,1/10W-2012REEL	1	R454R
267	.2	9A10220400	R,0-J,1/10W-2012REEL	1	R457
268	.2	9A10220500	R,0-J,1/8W-3216REEL	1	J628
269	.2	9A10220500	R,0-J,1/8W-3216REEL	1	J615
270	.2	9A10220500	R,0-J,1/8W-3216REEL	1	J616
271	.2	9A10220500	R,0-J,1/8W-3216REEL	1	J614
272	.2	9A10220500	R,0-J,1/8W-3216REEL	1	J613
273	.2	9A10220500	R,0-J,1/8W-3216REEL	1	J622
274	.2	9A10220500	R,0-J,1/8W-3216REEL	1	J621
275	.2	9A10220500	R,0-J,1/8W-3216REEL	1	J602
276	.2	9A10220500	R,0-J,1/8W-3216REEL	1	J606
277	.2	9A10220500	R,0-J,1/8W-3216REEL	1	J607
278	.2	9A10220500	R,0-J,1/8W-3216REEL	1	J605
279	.2	9A10220600	R,100-J,1/10W-2012REEL	1	R453L
280	.2	9A10220600	R,100-J,1/10W-2012REEL	1	R453R

281	.2	9A10220600	R,100-J,1/10W-2012REEL	1	R443L
282	.2	9A10220600	R,100-J,1/10W-2012REEL	1	R443R
283	.2	9A10219800	R,1K-J,1/10W-2012REEL	1	R403R
284	.2	9A10219800	R,1K-J,1/10W-2012REEL	1	R404L
285	.2	9A10219800	R,1K-J,1/10W-2012REEL	1	R404R
286	.2	9A10219800	R,1K-J,1/10W-2012REEL	1	R403L
287	.2	9A10219800	R,1K-J,1/10W-2012REEL	1	R405R
288	.2	9A10219800	R,1K-J,1/10W-2012REEL	1	R406L
289	.2	9A10219800	R,1K-J,1/10W-2012REEL	1	R405L
290	.2	9A10219800	R,1K-J,1/10W-2012REEL	1	R406R
291	.2	9A10219800	R,1K-J,1/10W-2012REEL	1	R407R
292	.2	9A10219800	R,1K-J,1/10W-2012REEL	1	R408L
293	.2	9A10219800	R,1K-J,1/10W-2012REEL	1	R408R
294	.2	9A10219800	R,1K-J,1/10W-2012REEL	1	R409L
295	.2	9A10219800	R,1K-J,1/10W-2012REEL	1	R409R
296	.2	9A10219800	R,1K-J,1/10W-2012REEL	1	R407L
297	.2	9A10219800	R,1K-J,1/10W-2012REEL	1	R465R
298	.2	9A10219800	R,1K-J,1/10W-2012REEL	1	R465L
299	.2	9A10220700	R,10K-J,1/10W-2012REEL	1	R120
300	.2	9A10220700	R,10K-J,1/10W-2012REEL	1	R125
301	.2	9A10220700	R,10K-J,1/10W-2012REEL	1	R118
302	.2	9A10220800	R,100K-J,1/10W-2012REEL	1	R468R
303	.2	9A10220800	R,100K-J,1/10W-2012REEL	1	R468L
304	.2	9A10220800	R,100K-J,1/10W-2012REEL	1	R413R
305	.2	9A10220800	R,100K-J,1/10W-2012REEL	1	R415
306	.2	9A10220800	R,100K-J,1/10W-2012REEL	1	R413L
307	.2	9A10220800	R,100K-J,1/10W-2012REEL	1	R425L
308	.2	9A10220800	R,100K-J,1/10W-2012REEL	1	R425R
309	.2	9A10220800	R,100K-J,1/10W-2012REEL	1	R458L
310	.2	9A10220800	R,100K-J,1/10W-2012REEL	1	R458R
311	.2	9A10220800	R,100K-J,1/10W-2012REEL	1	R489
312	.2	9A10220800	R,100K-J,1/10W-2012REEL	1	R482R
313	.2	9A10220800	R,100K-J,1/10W-2012REEL	1	R459
314	.2	9A10220800	R,100K-J,1/10W-2012REEL	1	R417
315	.2	9A10220800	R,100K-J,1/10W-2012REEL	1	R456
316	.2	9A10220800	R,100K-J,1/10W-2012REEL	1	R475
317	.2	9A10220800	R,100K-J,1/10W-2012REEL	1	R482L
318	.2	9A10220900	R,12K-J,1/10W-2012REEL	1	R464L
319	.2	9A10220900	R,12K-J,1/10W-2012REEL	1	R464R
320	.2	9A10220900	R,12K-J,1/10W-2012REEL	1	R471
321	.2	9A10220900	R,12K-J,1/10W-2012REEL	1	R478L
322	.2	9A10220900	R,12K-J,1/10W-2012REEL	1	R478R
323	.2	9A10221000	R,1.3K-J,1/10W-2012REEL	1	R484
324	.2	9A10221100	R,220-J,1/10W-2012REEL	1	R101
325	.2	9A10221200	R,2.2K-J,1/10W-2012REEL	1	R416
326	.2	9A10221200	R,2.2K-J,1/10W-2012REEL	1	R412R
327	.2	9A10221200	R,2.2K-J,1/10W-2012REEL	1	R412L
328	.2	9A10221200	R,2.2K-J,1/10W-2012REEL	1	R410L
329	.2	9A10221200	R,2.2K-J,1/10W-2012REEL	1	R410R
330	.2	9A10221200	R,2.2K-J,1/10W-2012REEL	1	R104
331	.2	9A10221200	R,2.2K-J,1/10W-2012REEL	1	R497
332	.2	9A10221300	R,22K-J,1/10W-2012REEL	1	R107
333	.2	9A10221300	R,22K-J,1/10W-2012REEL	1	R115
334	.2	9A10221300	R,22K-J,1/10W-2012REEL	1	R116
335	.2	9A10221300	R,22K-J,1/10W-2012REEL	1	R117
336	.2	9A10221400	R,2.7K-J,1/10W-2012REEL	1	R452
337	.2	9A10221400	R,2.7K-J,1/10W-2012REEL	1	R463L

338	.2	9A10221400	R,2.7K-J,1/10W-2012REEL	1	R463R
339	.2	9A10221400	R,2.7K-J,1/10W-2012REEL	1	R470
340	.2	9A10221400	R,2.7K-J,1/10W-2012REEL	1	R477L
341	.2	9A10221400	R,2.7K-J,1/10W-2012REEL	1	R477R
342	.2	9A10221500	R,27K-J,1/10W-2012REEL	1	R485
343	.2	9A10221500	R,27K-J,1/10W-2012REEL	1	R127
344	.2	9A10219900	R,330-J,1/10W-2012REEL	1	R494L
345	.2	9A10221600	R,3.3K-J,1/10W-2012REEL	1	R439
346	.2	9A10221600	R,3.3K-J,1/10W-2012REEL	1	R121
347	.2	9A10221700	R,33K-J,1/10W-2012REEL	1	R103
348	.2	9A10221800	R,3.6K-J,1/10W-2012REEL	1	R106
349	.2	9A10221900	R,390-J,1/10W-2012REEL	1	R437
350	.2	9A10221900	R,390-J,1/10W-2012REEL	1	R438
351	.2	9A10222000	R,39K-J,1/10W-2012REEL	1	R476R
352	.2	9A10222000	R,39K-J,1/10W-2012REEL	1	R483
353	.2	9A10222000	R,39K-J,1/10W-2012REEL	1	R462L
354	.2	9A10222000	R,39K-J,1/10W-2012REEL	1	R462R
355	.2	9A10222000	R,39K-J,1/10W-2012REEL	1	R469
356	.2	9A10222000	R,39K-J,1/10W-2012REEL	1	R476L
357	.2	9A10222100	R,470-J,1/10W-2012REEL	1	R446L
358	.2	9A10222100	R,470-J,1/10W-2012REEL	1	R446R
359	.2	9A10222100	R,470-J,1/10W-2012REEL	1	R447
360	.2	9A10222100	R,470-J,1/10W-2012REEL	1	R445
361	.2	9A10222100	R,470-J,1/10W-2012REEL	1	R444R
362	.2	9A10222100	R,470-J,1/10W-2012REEL	1	R444L
363	.2	9A10222200	R,4.7K-J,1/10W-2012REEL	1	R473
364	.2	9A10222200	R,4.7K-J,1/10W-2012REEL	1	R480
365	.2	9A10222200	R,4.7K-J,1/10W-2012REEL	1	R102
366	.2	9A10220000	R,47K-J,1/10W-2012REEL	1	R436
367	.2	9A10220000	R,47K-J,1/10W-2012REEL	1	R435
368	.2	9A10220000	R,47K-J,1/10W-2012REEL	1	R423L
369	.2	9A10220000	R,47K-J,1/10W-2012REEL	1	R423R
370	.2	9A10220000	R,47K-J,1/10W-2012REEL	1	R119
371	.2	9A10220000	R,47K-J,1/10W-2012REEL	1	R495L
372	.2	9A10222300	R,560-J,1/10W-2012REEL	1	R424L
373	.2	9A10222300	R,560-J,1/10W-2012REEL	1	R424R
374	.2	9A10222400	R,560K-J,1/10W-2012REEL	1	R108
375	.2	9A10222400	R,560K-J,1/10W-2012REEL	1	R105
376	.2	9A10222500	R,6.2K-J,1/10W-2012REEL	1	R123
377	.2	9A10222600	R,680-J,1/10W-2012REEL	1	R109
378	.2	9A10222700	R,75-J,1/10W-2012REEL	1	R434
379	.2	9A10222700	R,75-J,1/10W-2012REEL	1	R431
380	.2	9A10222700	R,75-J,1/10W-2012REEL	1	R432
381	.2	9A10222700	R,75-J,1/10W-2012REEL	1	R433
382	.2	9A10222800	R,8.2K-J,1/10W-2012REEL	1	R144
383	.2	9A10222800	R,8.2K-J,1/10W-2012REEL	1	R414
384	.2	9A09953700	CC,B100PF-K/50V-52RE	1	C406
385	.2	9A09953800	CC,B0.001UF-K/50V-52RE	1	C404
386	.2	9A09953900	CC,Y0.01UF-M/16V-52RE	1	C473
387	.2	9A09953900	CC,Y0.01UF-M/16V-52RE	1	C401
388	.2	9A09953900	CC,Y0.01UF-M/16V-52RE	1	C403
389	.2	9A09953900	CC,Y0.01UF-M/16V-52RE	1	C471
390	.2	9A09953900	CC,Y0.01UF-M/16V-52RE	1	C472
391	.2	9A09954000	CC,F0.1UF-Z/50V-52RE	1	C106
392	.2	9A10222900	CC,F0.022UF-Z/25V-52RE	1	C402
393	.2	9A09954500	CC,B560PF-K/50V-52RE	1	C104
394	.2	9A09954500	CC,B560PF-K/50V-52RE	1	C105

395	.2	9A10223000	CC,COG100PF-J/50V-2012REE	1	C500R
396	.2	9A10223000	CC,COG100PF-J/50V-2012REE	1	C461
397	.2	9A10223000	CC,COG100PF-J/50V-2012REE	1	C481L
398	.2	9A10223000	CC,COG100PF-J/50V-2012REE	1	C481R
399	.2	9A10223000	CC,COG100PF-J/50V-2012REE	1	C495L
400	.2	9A10223000	CC,COG100PF-J/50V-2012REE	1	C503
401	.2	9A10223000	CC,COG100PF-J/50V-2012REE	1	C467L
402	.2	9A10223000	CC,COG100PF-J/50V-2012REE	1	C467R
403	.2	9A10223000	CC,COG100PF-J/50V-2012REE	1	C417L
404	.2	9A10223000	CC,COG100PF-J/50V-2012REE	1	C417R
405	.2	9A10223000	CC,COG100PF-J/50V-2012REE	1	C418L
406	.2	9A10223000	CC,COG100PF-J/50V-2012REE	1	C418R
407	.2	9A10223000	CC,COG100PF-J/50V-2012REE	1	C420L
408	.2	9A10223000	CC,COG100PF-J/50V-2012REE	1	C420R
409	.2	9A10223000	CC,COG100PF-J/50V-2012REE	1	C421L
410	.2	9A10223000	CC,COG100PF-J/50V-2012REE	1	C415R
411	.2	9A10223000	CC,COG100PF-J/50V-2012REE	1	C480L
412	.2	9A10223000	CC,COG100PF-J/50V-2012REE	1	C480R
413	.2	9A10223000	CC,COG100PF-J/50V-2012REE	1	C488
414	.2	9A10223000	CC,COG100PF-J/50V-2012REE	1	C504
415	.2	9A10223000	CC,COG100PF-J/50V-2012REE	1	C412L
416	.2	9A10223000	CC,COG100PF-J/50V-2012REE	1	C412R
417	.2	9A10223000	CC,COG100PF-J/50V-2012REE	1	C414L
418	.2	9A10223000	CC,COG100PF-J/50V-2012REE	1	C489
419	.2	9A10223000	CC,COG100PF-J/50V-2012REE	1	C496L
420	.2	9A10223000	CC,COG100PF-J/50V-2012REE	1	C496R
421	.2	9A10223000	CC,COG100PF-J/50V-2012REE	1	C513
422	.2	9A10223000	CC,COG100PF-J/50V-2012REE	1	C459
423	.2	9A10223000	CC,COG100PF-J/50V-2012REE	1	C421R
424	.2	9A10223000	CC,COG100PF-J/50V-2012REE	1	C422L
425	.2	9A10223000	CC,COG100PF-J/50V-2012REE	1	C422R
426	.2	9A10223000	CC,COG100PF-J/50V-2012REE	1	C423L
427	.2	9A10223000	CC,COG100PF-J/50V-2012REE	1	C423R
428	.2	9A10223000	CC,COG100PF-J/50V-2012REE	1	C424
429	.2	9A10223000	CC,COG100PF-J/50V-2012REE	1	C425
430	.2	9A10223000	CC,COG100PF-J/50V-2012REE	1	C426
431	.2	9A10223000	CC,COG100PF-J/50V-2012REE	1	C414R
432	.2	9A10223000	CC,COG100PF-J/50V-2012REE	1	C408L
433	.2	9A10223000	CC,COG100PF-J/50V-2012REE	1	C408R
434	.2	9A10223000	CC,COG100PF-J/50V-2012REE	1	C410R
435	.2	9A10223000	CC,COG100PF-J/50V-2012REE	1	C410L
436	.2	9A10223000	CC,COG100PF-J/50V-2012REE	1	C464L
437	.2	9A10223000	CC,COG100PF-J/50V-2012REE	1	C464R
438	.2	9A10223000	CC,COG100PF-J/50V-2012REE	1	C427
439	.2	9A10223000	CC,COG100PF-J/50V-2012REE	1	C415L
440	.2	9A10223000	CC,COG100PF-J/50V-2012REE	1	C495R
441	.2	9A10223000	CC,COG100PF-J/50V-2012REE	1	C433
442	.2	9A10223000	CC,COG100PF-J/50V-2012REE	1	C434
443	.2	9A10223000	CC,COG100PF-J/50V-2012REE	1	C432
444	.2	9A10223000	CC,COG100PF-J/50V-2012REE	1	C443
445	.2	9A10223000	CC,COG100PF-J/50V-2012REE	1	C444
446	.2	9A10223000	CC,COG100PF-J/50V-2012REE	1	C445
447	.2	9A10223000	CC,COG100PF-J/50V-2012REE	1	C470
448	.2	9A10223000	CC,COG100PF-J/50V-2012REE	1	C460
449	.2	9A10223000	CC,COG100PF-J/50V-2012REE	1	C485L
450	.2	9A10223000	CC,COG100PF-J/50V-2012REE	1	C485R
451	.2	9A10223000	CC,COG100PF-J/50V-2012REE	1	C492

452	.2	9A10223000	CC,COG100PF-J/50V-2012REE	1	C500L
453	.2	9A10223000	CC,COG100PF-J/50V-2012REE	1	C419R
454	.2	9A10223000	CC,COG100PF-J/50V-2012REE	1	C419L
455	.2	9A10223000	CC,COG100PF-J/50V-2012REE	1	C409L
456	.2	9A10223000	CC,COG100PF-J/50V-2012REE	1	C409R
457	.2	9A10223000	CC,COG100PF-J/50V-2012REE	1	C411R
458	.2	9A10223000	CC,COG100PF-J/50V-2012REE	1	C411L
459	.2	9A10223000	CC,COG100PF-J/50V-2012REE	1	C413L
460	.2	9A10223000	CC,COG100PF-J/50V-2012REE	1	C413R
461	.2	9A10223000	CC,COG100PF-J/50V-2012REE	1	C416R
462	.2	9A10223000	CC,COG100PF-J/50V-2012REE	1	C416L
463	.2	9A10223000	CC,COG100PF-J/50V-2012REE	1	C514
464	.2	9A10223000	CC,COG100PF-J/50V-2012REE	1	C515
465	.2	9A10220100	CC,COG470PF-J/50V-2012REE	1	C509L
466	.2	9A10223100	CC,COG820PF-J/50V-2012REE	1	C507
467	.2	9A10223200	CC,X7R1000PF-K/50V-2012RE	1	C482
468	.2	9A10223200	CC,X7R1000PF-K/50V-2012RE	1	C483
469	.2	9A10223200	CC,X7R1000PF-K/50V-2012RE	1	C458L
470	.2	9A10223200	CC,X7R1000PF-K/50V-2012RE	1	C458R
471	.2	9A10223200	CC,X7R1000PF-K/50V-2012RE	1	C497
472	.2	9A10223200	CC,X7R1000PF-K/50V-2012RE	1	C490
473	.2	9A10223200	CC,X7R1000PF-K/50V-2012RE	1	C498
474	.2	9A10223200	CC,X7R1000PF-K/50V-2012RE	1	C505
475	.2	9A10223300	CC,X7R0.01UF-K/50V-2012RE	1	C405
476	.2	9A10223300	CC,X7R0.01UF-K/50V-2012RE	1	C475
477	.2	9A10223300	CC,X7R0.01UF-K/50V-2012RE	1	C477
478	.2	9A10223300	CC,X7R0.01UF-K/50V-2012RE	1	C101
479	.2	9A10223300	CC,X7R0.01UF-K/50V-2012RE	1	C103
480	.2	9A10223400	CC,Y5V0.1UF-Z/50V-2012REE	1	C521
481	.2	9A10223400	CC,Y5V0.1UF-Z/50V-2012REE	1	C520
482	.2	9A10223400	CC,Y5V0.1UF-Z/50V-2012REE	1	C450
483	.2	9A10223400	CC,Y5V0.1UF-Z/50V-2012REE	1	C517
484	.2	9A10223400	CC,Y5V0.1UF-Z/50V-2012REE	1	C518
485	.2	9A10223400	CC,Y5V0.1UF-Z/50V-2012REE	1	C519
486	.2	9A10223400	CC,Y5V0.1UF-Z/50V-2012REE	1	C516
487	.2	9A10220200	CC,X7R1500PF-K/50V-2012RE	1	C510L
488	.2	9A10223500	CC,X7R0.015UF-K/50V-2012R	1	C455L
489	.2	9A10223500	CC,X7R0.015UF-K/50V-2012R	1	C455R
490	.2	9A10223600	CC,X7R2200PF-K/50V-2012RE	1	C478L
491	.2	9A10223600	CC,X7R2200PF-K/50V-2012RE	1	C478R
492	.2	9A10223600	CC,X7R2200PF-K/50V-2012RE	1	C486
493	.2	9A10223600	CC,X7R2200PF-K/50V-2012RE	1	C493L
494	.2	9A10223600	CC,X7R2200PF-K/50V-2012RE	1	C501
495	.2	9A10223600	CC,X7R2200PF-K/50V-2012RE	1	C493R
496	.2	9A10223700	CC,X7R0.022UF-K/50V-2012R	1	C436
497	.2	9A10223700	CC,X7R0.022UF-K/50V-2012R	1	C437
498	.2	9A10223800	CC,X7R8200PF-K/50V-2012RE	1	C456L
499	.2	9A10223800	CC,X7R8200PF-K/50V-2012RE	1	C456R
500	.2	9A09956500	C,POLY,ST-0.1UF-J/100V	1	C128
501	.2	9A09956500	C,POLY,ST-0.1UF-J/100V	1	C122
502	.2	9A09956500	C,POLY,ST-0.1UF-J/100V	1	C123
503	.2	9A09956500	C,POLY,ST-0.1UF-J/100V	1	C126
504	.2	9A09956500	C,POLY,ST-0.1UF-J/100V	1	C127
505	.2	9A09956800	C,POLY,ST-0.0047UF-J/100V	1	C903FC
506	.2	9A09956800	C,POLY,ST-0.0047UF-J/100V	1	C903SL
507	.2	9A09956800	C,POLY,ST-0.0047UF-J/100V	1	C904FC
508	.2	9A09956800	C,POLY,ST-0.0047UF-J/100V	1	C904SL



509	.2	9A09956800	C,POLY,ST-0.0047UF-J/100V	1	C904SR
510	.2	9A09956800	C,POLY,ST-0.0047UF-J/100V	1	C903SR
511	.2	9A09956800	C,POLY,ST-0.0047UF-J/100V	1	C903FR
512	.2	9A09956800	C,POLY,ST-0.0047UF-J/100V	1	C904FR
513	.2	9A09956800	C,POLY,ST-0.0047UF-J/100V	1	C904FL
514	.2	9A09956800	C,POLY,ST-0.0047UF-J/100V	1	C903FL
515	.2	9A09956900	C,POLY,ST-0.047UF-J/100V	1	C120
516	.2	9A09956900	C,POLY,ST-0.047UF-J/100V	1	C114
517	.2	9A09956900	C,POLY,ST-0.047UF-J/100V	1	C115
518	.2	9A09956900	C,POLY,ST-0.047UF-J/100V	1	C121
519	.2	9A09956900	C,POLY,ST-0.047UF-J/100V	1	C116
520	.2	9A09956900	C,POLY,ST-0.047UF-J/100V	1	C119
521	.2	9A09956900	C,POLY,ST-0.047UF-J/100V	1	C901FC
522	.2	9A09956900	C,POLY,ST-0.047UF-J/100V	1	C901SL
523	.2	9A09956900	C,POLY,ST-0.047UF-J/100V	1	C901FR
524	.2	9A09956900	C,POLY,ST-0.047UF-J/100V	1	C901FL
525	.2	9A09956900	C,POLY,ST-0.047UF-J/100V	1	C901SR
526	.2	9A10223900	CE,0.1UF-M/50V,4*7 SY	1	C506
527	.2	9A10003100	CE,2200UF-M/35V	1	C113
528	.2	9A10003100	CE,2200UF-M/35V	1	C112
529	.2	9A09957600	CE,4700UF-M/25V,16*31.5	1	C118
530	.2	9A09957700	CE,6800UF-M/63V DL 30*50	1	C124
531	.2	9A09957700	CE,6800UF-M/63V DL 30*50	1	C125
532	.2	9A09958300	COIL,INDUCTOR COIL	1	L901SL
533	.2	9A09958300	COIL,INDUCTOR COIL	1	L901SR
534	.2	9A09960600	TER,4PIN,DAER.G/JK040045Y	1	JACK404
535	.2	9A09960700	TER,6PIN,DAER.G/JK060046C	1	JACK402
536	.2	9A09960700	TER,6PIN,DAER.G/JK060046C	1	JACK403
537	.2	9A10003200	TERMINAL,RCA 9PIN	1	JACK401
538	.2	9A10003300	TERMINAL,BOARD SCREW 2P	1	SPK902
539	.2	9A10003400	TERMINAL,BOARD SCREW 8P	1	SPK901
540	.2	9A09961700	RELAY,G5PA-28 24V 5A 1	1	RLY101
541	.2	9A10003500	IC,NJU7312AL	1	IC403
542	.2	9A10004100	IC,TC9273N-007	1	IC401
543	.2	9A10004200	IC,M62446AFP	1	IC406
544	.2	9A09963000	IC,OP,BA4558F-E2/SOP8P	1	IC402
545	.2	9A09963000	IC,OP,BA4558F-E2/SOP8P	1	IC407
546	.2	9A09963000	IC,OP,BA4558F-E2/SOP8P	1	IC408
547	.2	9A09963000	IC,OP,BA4558F-E2/SOP8P	1	IC409
548	.2	9A09963400	IC,REG,MC7805CT TO220 MET	1	IC103
549	.2	9A09963600	IC,REG,MC7815CT TO220 MET	1	IC101
550	.2	9A09963700	IC,REG,KIA7915PI,20W MOLD	1	IC102
551	.2	9A09964000	IC,SW,IC LA7952 SIP8	1	IC404
552	.2	9A09964200	TR,KSA992F,0.5W/TO92-RL	1	Q106
553	.2	9A09964400	TR,KTA1266Y,0.6W/TO92-RL	1	Q103
554	.2	9A09964400	TR,KTA1266Y,0.6W/TO92-RL	1	Q104
555	.2	9A09964500	TR,KTA1268BL,0.3W/TO92-RL	1	Q102
556	.2	9A09964600	TR,2SC1740SR,0.3W/TO92M-R	1	Q111
557	.2	9A09964600	TR,2SC1740SR,0.3W/TO92M-R	1	Q112
558	.2	9A09964600	TR,2SC1740SR,0.3W/TO92M-R	1	Q108
559	.2	9A09964600	TR,2SC1740SR,0.3W/TO92M-R	1	Q107
560	.2	9A09964600	TR,2SC1740SR,0.3W/TO92M-R	1	Q109
561	.2	9A09964600	TR,2SC1740SR,0.3W/TO92M-R	1	Q110
562	.2	9A09964900	TR,KTC3200BL,0.6W/TO92-RL	1	Q101
563	.2	9A09965200	TR,KRA107S(PH)/SOT-23 RL	1	Q406
564	.2	9A09965200	TR,KRA107S(PH)/SOT-23 RL	1	Q409
565	.2	9A09965200	TR,KRA107S(PH)/SOT-23 RL	1	Q412

566	.2	9A09965200	TR,KRA107S(PH)/SOT-23 RL	1	Q415
567	.2	9A09965500	TR,KRC231S(NW)2.2K,0.6W	1	Q410
568	.2	9A09965500	TR,KRC231S(NW)2.2K,0.6W	1	Q407L
569	.2	9A09965500	TR,KRC231S(NW)2.2K,0.6W	1	Q407R
570	.2	9A09965500	TR,KRC231S(NW)2.2K,0.6W	1	Q413L
571	.2	9A09965500	TR,KRC231S(NW)2.2K,0.6W	1	Q413R
572	.2	9A09965600	TR,KRC107S(NH)/SOT-23 RL	1	Q404
573	.2	9A09965600	TR,KRC107S(NH)/SOT-23 RL	1	Q405
574	.2	9A09965600	TR,KRC107S(NH)/SOT-23 RL	1	Q408
575	.2	9A09965600	TR,KRC107S(NH)/SOT-23 RL	1	Q411
576	.2	9A09965600	TR,KRC107S(NH)/SOT-23 RL	1	Q414
577	.2	9A09965600	TR,KRC107S(NH)/SOT-23 RL	1	Q403
578	.2	9A09965700	TR,KTC2875B(MB) 0.15W	1	Q416
579	.2	9A10224000	TR,KTC3880S-O(AQO) 0.1W/S	1	Q402
580	.2	9A10224000	TR,KTC3880S-O(AQO) 0.1W/S	1	Q401
581	.2	9A09965900	FET,FET 2SK117Y (TYPE2)	1	Q417L
582	.2	9A09966100	BRT,KRC107M,0.4W/TO92M-RL	1	Q105
583	.2	9A09966200	DIODE,1SS133T-72-52MM	1	D102
584	.2	9A09966200	DIODE,1SS133T-72-52MM	1	D101
585	.2	9A09966200	DIODE,1SS133T-72-52MM	1	D103
586	.2	9A09966200	DIODE,1SS133T-72-52MM	1	D104
587	.2	9A09966200	DIODE,1SS133T-72-52MM	1	D105
588	.2	9A09966200	DIODE,1SS133T-72-52MM	1	D106
589	.2	9A09966200	DIODE,1SS133T-72-52MM	1	D115
590	.2	9A09966200	DIODE,1SS133T-72-52MM	1	D412
591	.2	9A09966200	DIODE,1SS133T-72-52MM	1	D413
592	.2	9A09966300	DIODE,IN4007 52RL 1000V1A	1	D107
593	.2	9A09966300	DIODE,IN4007 52RL 1000V1A	1	D108
594	.2	9A09966300	DIODE,IN4007 52RL 1000V1A	1	D109
595	.2	9A09966300	DIODE,IN4007 52RL 1000V1A	1	D110
596	.2	9A09966300	DIODE,IN4007 52RL 1000V1A	1	D111
597	.2	9A09966300	DIODE,IN4007 52RL 1000V1A	1	D112
598	.2	9A09966400	DIODE,CHIP,1N4148WS/BAV16	1	D406
599	.2	9A09966400	DIODE,CHIP,1N4148WS/BAV16	1	D405R
600	.2	9A09966400	DIODE,CHIP,1N4148WS/BAV16	1	D407
601	.2	9A09966400	DIODE,CHIP,1N4148WS/BAV16	1	D408L
602	.2	9A09966400	DIODE,CHIP,1N4148WS/BAV16	1	D408R
603	.2	9A09966400	DIODE,CHIP,1N4148WS/BAV16	1	D409L
604	.2	9A09966400	DIODE,CHIP,1N4148WS/BAV16	1	D403
605	.2	9A09966400	DIODE,CHIP,1N4148WS/BAV16	1	D404L
606	.2	9A09966400	DIODE,CHIP,1N4148WS/BAV16	1	D404R
607	.2	9A09966400	DIODE,CHIP,1N4148WS/BAV16	1	D405L
608	.2	9A09966400	DIODE,CHIP,1N4148WS/BAV16	1	D409R
609	.2	9A09966500	D,BRIDGE,KBPC604 6A	1	D114
610	.2	9A09966500	D,BRIDGE,KBPC604 6A	1	D113
611	.2	9A09966700	D,ZENER,MTZJ5.1B-0.5W	1	ZD101
612	.2	9A09966800	D,ZENER,MTZJ6.8B-0.5W	1	ZD403
613	.2	9A09966800	D,ZENER,MTZJ6.8B-0.5W	1	ZD402
614	.2	9A09967000	D,ZENER,MTZJ12B-0.5W	1	ZD401
615	.2	9A10224100	CN,4P GIL-S-04=9073-04 WH	1	CN401
616	.2	9A10224100	CN,4P GIL-S-04=9073-04 WH	1	CN406
617	.2	9A10224200	CN,10P GILT-10,GILS-10 WH	1	CN403
618	.2	9A10224300	CN,14P GIL-S-14=9073-14 B	1	CN402
619	.2	9A10224400	CN,1P B1813T2P-2E BK1007#	1	A
620	.2	9A10004900	CN,WAFER,TUC-P06P-B1 6P	1	CN405
621	.2	9A10005100	CN,WAFER,GIL-S-5P-S2T2-EF	1	CP402
622	.2	9A10005500	CN,WAFER,35336-0310 3P	1	CN404

623	.2	9A09980200	CN.WAFER 2.0MM,35336-1310	1	CP401
624	.2	9A09970500	CN,WAFER,5267-04A 4P	1	CP103
625	.2	9A09970600	CN,WAFER,5267-06A 6P	1	CP105
626	.2	9A09970700	CN,WAFER,5267-09A 9P	1	CP102
627	.2	9A09970800	CN,WAFER,5267-10A 10P	1	CP101
628	.2	9A09980300	CN.WAFER 3.96MM,35328-	1	CP104
629	.2	9A09971000	CN,FPC 1.25MM,SCB 1125-00	1	CP403
630	.2	9A09971400	CE,10UF/50V(M) 5X11,P=5	1	C439
631	.2	9A09971400	CE,10UF/50V(M) 5X11,P=5	1	C441
632	.2	9A09971400	CE,10UF/50V(M) 5X11,P=5	1	C110
633	.2	9A09971400	CE,10UF/50V(M) 5X11,P=5	1	C111
634	.2	9A09971400	CE,10UF/50V(M) 5X11,P=5	1	C117
635	.2	9A09971500	CE,100UF/16V(M) 5X11,P=5	1	C463
636	.2	9A09971500	CE,100UF/16V(M) 5X11,P=5	1	C451
637	.2	9A09971500	CE,100UF/16V(M) 5X11,P=5	1	C452
638	.2	9A09971500	CE,100UF/16V(M) 5X11,P=5	1	C453
639	.2	9A09971700	CE,100UF/35V(M) 8X11,P=5	1	C474
640	.2	9A09971700	CE,100UF/35V(M) 8X11,P=5	1	C476
641	.2	9A09972400	CE,2.2UF/50V(M) 5X11,P=5	1	C102
642	.2	9A09972700	CE,330UF/10V(M) 8X11,P=5	1	C109
643	.2	9A09972800	CE,0.33UF/50V(M) 5X11,P=5	1	C454L
644	.2	9A09972800	CE,0.33UF/50V(M) 5X11,P=5	1	C454R
645	.2	9A10224500	CE,3.3UF/50V(M)5x11,P=5(L	1	C457R
646	.2	9A10224500	CE,3.3UF/50V(M)5x11,P=5(L	1	C457L
647	.2	9A09973100	CE,47UF/25V(M) 5X11,P=5	1	C430
648	.2	9A09973100	CE,47UF/25V(M) 5X11,P=5	1	C447
649	.2	9A09973100	CE,47UF/25V(M) 5X11,P=5	1	C428
650	.2	9A09973100	CE,47UF/25V(M) 5X11,P=5	1	C446
651	.2	9A09973300	CE,470UF/16V(M) 8X11,P=5	1	C449
652	.2	9A09973300	CE,470UF/16V(M) 8X11,P=5	1	C448
653	.2	9A09973300	CE,470UF/16V(M) 8X11,P=5	1	C108
654	.2	9A09973300	CE,470UF/16V(M) 8X11,P=5	1	C129
655	.2	9A09973400	CE,4.7UF/50V(M) 5X11,P=5	1	C468L
656	.2	9A09973400	CE,4.7UF/50V(M) 5X11,P=5	1	C468R
657	.2	9A09973400	CE,4.7UF/50V(M) 5X11,P=5	1	C479L
658	.2	9A09973400	CE,4.7UF/50V(M) 5X11,P=5	1	C479R
659	.2	9A09973400	CE,4.7UF/50V(M) 5X11,P=5	1	C469
660	.2	9A09973400	CE,4.7UF/50V(M) 5X11,P=5	1	C487
661	.2	9A09973400	CE,4.7UF/50V(M) 5X11,P=5	1	C494L
662	.2	9A09973400	CE,4.7UF/50V(M) 5X11,P=5	1	C494R
663	.2	9A09973400	CE,4.7UF/50V(M) 5X11,P=5	1	C502
664	.2	9A09973400	CE,4.7UF/50V(M) 5X11,P=5	1	C465R
665	.2	9A09973400	CE,4.7UF/50V(M) 5X11,P=5	1	C466
666	.2	9A09973400	CE,4.7UF/50V(M) 5X11,P=5	1	C499R
667	.2	9A09973400	CE,4.7UF/50V(M) 5X11,P=5	1	C491
668	.2	9A09973400	CE,4.7UF/50V(M) 5X11,P=5	1	C484L
669	.2	9A09973400	CE,4.7UF/50V(M) 5X11,P=5	1	C484R
670	.2	9A09973400	CE,4.7UF/50V(M) 5X11,P=5	1	C107
671	.2	9A09973400	CE,4.7UF/50V(M) 5X11,P=5	1	C499L
672	.2	9A09973400	CE,4.7UF/50V(M) 5X11,P=5	1	C435L
673	.2	9A09973400	CE,4.7UF/50V(M) 5X11,P=5	1	C435R
674	.2	9A09973400	CE,4.7UF/50V(M) 5X11,P=5	1	C438L
675	.2	9A09973400	CE,4.7UF/50V(M) 5X11,P=5	1	C438R
676	.2	9A09973400	CE,4.7UF/50V(M) 5X11,P=5	1	C465L
677	.2	9A10224600	CN,1P WIRE STRIPSTRIP,60M	1	WIRE101
678	1	9A09985300	CUSHION,JSR6351	1	
679	1	9A09995600	FUNCTION PCB ASSY	1	

680	.2	9A09954600	CC,B820PF-K/50V-52RE	1	C301A
681	.2	9A09954600	CC,B820PF-K/50V-52RE	1	C302A
682	.2	9A09959300	SW,ENCODER,EC16B12204	1	FUNC301
683	1	9A09977300	DSP(EUR) PCB ASSY	1	
684	.2	9A09975000	SHIELD-PLATE GND	1	
685	.2	9A09978700	BEAD,COIL,HB-IT2012-121JT	1	BD801
686	.2	9A09978700	BEAD,COIL,HB-IT2012-121JT	1	BD802
687	.2	9A09978700	BEAD,COIL,HB-IT2012-121JT	1	BD803
688	.2	9A09978700	BEAD,COIL,HB-IT2012-121JT	1	BD804
689	.2	9A09978700	BEAD,COIL,HB-IT2012-121JT	1	BD805
690	.2	9A09978700	BEAD,COIL,HB-IT2012-121JT	1	BD806
691	.2	9A09978700	BEAD,COIL,HB-IT2012-121JT	1	BD807
692	.2	9A09978700	BEAD,COIL,HB-IT2012-121JT	1	BD808
693	.2	9A09948800	R,METAL,47-J,1/4W-R.REEL	1	R859
694	.2	9A09948900	R,METAL,4.7-J,1/4W,R.REEL	1	R858
695	.2	9A10225100	R,100-J,1/16W-1608REEL	1	R807
696	.2	9A10225100	R,100-J,1/16W-1608REEL	1	R875SW
697	.2	9A10225100	R,100-J,1/16W-1608REEL	1	R812
698	.2	9A10225200	R,1K-J,1/16W-1608REEL	1	R864
699	.2	9A10225200	R,1K-J,1/16W-1608REEL	1	R867
700	.2	9A10225200	R,1K-J,1/16W-1608REEL	1	R883
701	.2	9A10225200	R,1K-J,1/16W-1608REEL	1	R884
702	.2	9A10225200	R,1K-J,1/16W-1608REEL	1	R886
703	.2	9A10225200	R,1K-J,1/16W-1608REEL	1	R870C
704	.2	9A10225200	R,1K-J,1/16W-1608REEL	1	R870FL
705	.2	9A10225200	R,1K-J,1/16W-1608REEL	1	R870FR
706	.2	9A10225200	R,1K-J,1/16W-1608REEL	1	R870SL
707	.2	9A10225200	R,1K-J,1/16W-1608REEL	1	R870SR
708	.2	9A10225200	R,1K-J,1/16W-1608REEL	1	R870SW
709	.2	9A10225200	R,1K-J,1/16W-1608REEL	1	R881FL
710	.2	9A10225200	R,1K-J,1/16W-1608REEL	1	R881FR
711	.2	9A10225300	R,10K-J,1/16W-1608REEL	1	R802
712	.2	9A10225300	R,10K-J,1/16W-1608REEL	1	R805
713	.2	9A10225300	R,10K-J,1/16W-1608REEL	1	R809
714	.2	9A10225300	R,10K-J,1/16W-1608REEL	1	R818
715	.2	9A10225300	R,10K-J,1/16W-1608REEL	1	R820
716	.2	9A10225300	R,10K-J,1/16W-1608REEL	1	R833
717	.2	9A10225300	R,10K-J,1/16W-1608REEL	1	R834
718	.2	9A10225300	R,10K-J,1/16W-1608REEL	1	R835
719	.2	9A10225300	R,10K-J,1/16W-1608REEL	1	R836
720	.2	9A10225300	R,10K-J,1/16W-1608REEL	1	R840
721	.2	9A10225300	R,10K-J,1/16W-1608REEL	1	R841
722	.2	9A10225300	R,10K-J,1/16W-1608REEL	1	R842
723	.2	9A10225300	R,10K-J,1/16W-1608REEL	1	R843
724	.2	9A10225300	R,10K-J,1/16W-1608REEL	1	R844
725	.2	9A10225300	R,10K-J,1/16W-1608REEL	1	R845
726	.2	9A10225300	R,10K-J,1/16W-1608REEL	1	R846
727	.2	9A10225300	R,10K-J,1/16W-1608REEL	1	R847
728	.2	9A10225300	R,10K-J,1/16W-1608REEL	1	R850
729	.2	9A10225300	R,10K-J,1/16W-1608REEL	1	R851
730	.2	9A10225300	R,10K-J,1/16W-1608REEL	1	R854
731	.2	9A10225300	R,10K-J,1/16W-1608REEL	1	R863
732	.2	9A10225300	R,10K-J,1/16W-1608REEL	1	R889
733	.2	9A10225300	R,10K-J,1/16W-1608REEL	1	R890
734	.2	9A10225300	R,10K-J,1/16W-1608REEL	1	R874SW
735	.2	9A10225300	R,10K-J,1/16W-1608REEL	1	R878FL
736	.2	9A10225300	R,10K-J,1/16W-1608REEL	1	R878FR

737	.2	9A10225300	R,10K-J,1/16W-1608REEL	1	R879FL
738	.2	9A10225300	R,10K-J,1/16W-1608REEL	1	R879FR
739	.2	9A10225300	R,10K-J,1/16W-1608REEL	1	R880FL
740	.2	9A10225300	R,10K-J,1/16W-1608REEL	1	R880FR
741	.2	9A10225300	R,10K-J,1/16W-1608REEL	1	R882FL
742	.2	9A10225300	R,10K-J,1/16W-1608REEL	1	R882FR
743	.2	9A10225400	R,100K-J,1/16W-1608REEL	1	R810
744	.2	9A10225400	R,100K-J,1/16W-1608REEL	1	R814
745	.2	9A10225400	R,100K-J,1/16W-1608REEL	1	R868
746	.2	9A10225400	R,100K-J,1/16W-1608REEL	1	R885
747	.2	9A10225400	R,100K-J,1/16W-1608REEL	1	R869C
748	.2	9A10225400	R,100K-J,1/16W-1608REEL	1	R869FL
749	.2	9A10225400	R,100K-J,1/16W-1608REEL	1	R869FR
750	.2	9A10225400	R,100K-J,1/16W-1608REEL	1	R869SL
751	.2	9A10225400	R,100K-J,1/16W-1608REEL	1	R869SR
752	.2	9A10225400	R,100K-J,1/16W-1608REEL	1	R869SW
753	.2	9A10225400	R,100K-J,1/16W-1608REEL	1	R876FL
754	.2	9A10225400	R,100K-J,1/16W-1608REEL	1	R876FR
755	.2	9A10225400	R,100K-J,1/16W-1608REEL	1	R876SW
756	.2	9A10225400	R,100K-J,1/16W-1608REEL	1	R829
757	.2	9A10225500	R,1M-J,1/16W-1608REEL	1	R838
758	.2	9A10225600	R,1.2K-J,1/16W-1608REEL	1	R875FL
759	.2	9A10225600	R,1.2K-J,1/16W-1608REEL	1	R875FR
760	.2	9A10225700	R,15K-J,1/16W-1608REEL	1	R871SW
761	.2	9A10225700	R,15K-J,1/16W-1608REEL	1	R872SW
762	.2	9A10225800	R,150K-J,1/16W-1608REEL	1	R819
763	.2	9A10225800	R,150K-J,1/16W-1608REEL	1	R803
764	.2	9A10225900	R,1.8K-J,1/16W-1608REEL	1	R873SW
765	.2	9A10226000	R,18K-J,1/16W-1608REEL	1	R837
766	.2	9A10226100	R,2.2K-J,1/16W-1608REEL	1	R808
767	.2	9A10226100	R,2.2K-J,1/16W-1608REEL	1	R813
768	.2	9A10226100	R,2.2K-J,1/16W-1608REEL	1	R887
769	.2	9A10226100	R,2.2K-J,1/16W-1608REEL	1	R875C
770	.2	9A10226100	R,2.2K-J,1/16W-1608REEL	1	R875SL
771	.2	9A10226100	R,2.2K-J,1/16W-1608REEL	1	R875SR
772	.2	9A10226200	R,2.4K-J,1/16W-1608REEL	1	R815
773	.2	9A10226200	R,2.4K-J,1/16W-1608REEL	1	R816
774	.2	9A10226300	R,33-J,1/16W-1608REEL	1	R853
775	.2	9A10226300	R,33-J,1/16W-1608REEL	1	R830
776	.2	9A10226300	R,33-J,1/16W-1608REEL	1	R839
777	.2	9A10226300	R,33-J,1/16W-1608REEL	1	R865
778	.2	9A10226400	R,330-J,1/16W-1608REEL	1	R821
779	.2	9A10226400	R,330-J,1/16W-1608REEL	1	R824
780	.2	9A10226400	R,330-J,1/16W-1608REEL	1	R825
781	.2	9A10226400	R,330-J,1/16W-1608REEL	1	R828
782	.2	9A10226400	R,330-J,1/16W-1608REEL	1	R831
783	.2	9A10226400	R,330-J,1/16W-1608REEL	1	R832
784	.2	9A10226500	R,3.3K-J,1/16W-1608REEL	1	R877C
785	.2	9A10226500	R,3.3K-J,1/16W-1608REEL	1	R877FL
786	.2	9A10226500	R,3.3K-J,1/16W-1608REEL	1	R877FR
787	.2	9A10226500	R,3.3K-J,1/16W-1608REEL	1	R877SL
788	.2	9A10226500	R,3.3K-J,1/16W-1608REEL	1	R877SR
789	.2	9A10226500	R,3.3K-J,1/16W-1608REEL	1	R877SW
790	.2	9A10226600	R,3.9K-J,1/16W-1608REEL	1	R871C
791	.2	9A10226600	R,3.9K-J,1/16W-1608REEL	1	R871FL
792	.2	9A10226600	R,3.9K-J,1/16W-1608REEL	1	R871FR
793	.2	9A10226600	R,3.9K-J,1/16W-1608REEL	1	R871SL

794	.2	9A10226600	R,3.9K-J,1/16W-1608REEL	1	R871SR
795	.2	9A10226600	R,3.9K-J,1/16W-1608REEL	1	R872C
796	.2	9A10226600	R,3.9K-J,1/16W-1608REEL	1	R872FL
797	.2	9A10226600	R,3.9K-J,1/16W-1608REEL	1	R872FR
798	.2	9A10226600	R,3.9K-J,1/16W-1608REEL	1	R872SL
799	.2	9A10226600	R,3.9K-J,1/16W-1608REEL	1	R872SR
800	.2	9A10226600	R,3.9K-J,1/16W-1608REEL	1	R873C
801	.2	9A10226600	R,3.9K-J,1/16W-1608REEL	1	R873FL
802	.2	9A10226600	R,3.9K-J,1/16W-1608REEL	1	R873FR
803	.2	9A10226600	R,3.9K-J,1/16W-1608REEL	1	R873SL
804	.2	9A10226600	R,3.9K-J,1/16W-1608REEL	1	R873SR
805	.2	9A10226600	R,3.9K-J,1/16W-1608REEL	1	R874C
806	.2	9A10226600	R,3.9K-J,1/16W-1608REEL	1	R874FL
807	.2	9A10226600	R,3.9K-J,1/16W-1608REEL	1	R874FR
808	.2	9A10226600	R,3.9K-J,1/16W-1608REEL	1	R874SL
809	.2	9A10226600	R,3.9K-J,1/16W-1608REEL	1	R874SR
810	.2	9A10226700	R,47-J,1/16W-1608REEL	1	R855
811	.2	9A10226700	R,47-J,1/16W-1608REEL	1	R856
812	.2	9A10226700	R,47-J,1/16W-1608REEL	1	R857
813	.2	9A10226700	R,47-J,1/16W-1608REEL	1	R862
814	.2	9A10226800	R,4.7K-J,1/16W-1608REEL	1	R804
815	.2	9A10226800	R,4.7K-J,1/16W-1608REEL	1	R822
816	.2	9A10226800	R,4.7K-J,1/16W-1608REEL	1	R823
817	.2	9A10226800	R,4.7K-J,1/16W-1608REEL	1	R826
818	.2	9A10226800	R,4.7K-J,1/16W-1608REEL	1	R860
819	.2	9A10226800	R,4.7K-J,1/16W-1608REEL	1	R827
820	.2	9A10226800	R,4.7K-J,1/16W-1608REEL	1	R861
821	.2	9A10226800	R,4.7K-J,1/16W-1608REEL	1	R848
822	.2	9A10226900	R,47K-J,1/16W-1608REEL	1	R801
823	.2	9A10226900	R,47K-J,1/16W-1608REEL	1	R817
824	.2	9A10226900	R,47K-J,1/16W-1608REEL	1	R876C
825	.2	9A10226900	R,47K-J,1/16W-1608REEL	1	R876SL
826	.2	9A10226900	R,47K-J,1/16W-1608REEL	1	R876SR
827	.2	9A09952800	R,CHIP,75-J,1/16W	1	R806
828	.2	9A09952800	R,CHIP,75-J,1/16W	1	R811
829	.2	9A10227000	CC,COG100PF-J/50V-1608REE	1	C820
830	.2	9A10227000	CC,COG100PF-J/50V-1608REE	1	C821
831	.2	9A10227000	CC,COG100PF-J/50V-1608REE	1	C824
832	.2	9A10227000	CC,COG100PF-J/50V-1608REE	1	C825
833	.2	9A10227000	CC,COG100PF-J/50V-1608REE	1	C878FL
834	.2	9A10227000	CC,COG100PF-J/50V-1608REE	1	C878FR
835	.2	9A10227000	CC,COG100PF-J/50V-1608REE	1	C879FL
836	.2	9A10227000	CC,COG100PF-J/50V-1608REE	1	C879FR
837	.2	9A10227100	CC,COG22PF-J/50V-1608REEL	1	C803
838	.2	9A10227100	CC,COG22PF-J/50V-1608REEL	1	C805
839	.2	9A10227100	CC,COG22PF-J/50V-1608REEL	1	C811
840	.2	9A10227100	CC,COG22PF-J/50V-1608REEL	1	C815
841	.2	9A10227100	CC,COG22PF-J/50V-1608REEL	1	C816
842	.2	9A10227200	CC,COG27PF-J/50V-1608REEL	1	C838
843	.2	9A10227200	CC,COG27PF-J/50V-1608REEL	1	C839
844	.2	9A09955500	CC,COG470PF-J/50V	1	C862
845	.2	9A10227300	CC,X7R1000PF-K/50V-1608RE	1	C850
846	.2	9A10227300	CC,X7R1000PF-K/50V-1608RE	1	C873C
847	.2	9A10227300	CC,X7R1000PF-K/50V-1608RE	1	C873FL
848	.2	9A10227300	CC,X7R1000PF-K/50V-1608RE	1	C873FR
849	.2	9A10227300	CC,X7R1000PF-K/50V-1608RE	1	C873SL
850	.2	9A10227300	CC,X7R1000PF-K/50V-1608RE	1	C873SR

851	.2	9A09955800	CC,Y5V0.01UF-Z/50V	1	C832
852	.2	9A09955800	CC,Y5V0.01UF-Z/50V	1	C836
853	.2	9A10227400	CC,X7R0.1UF-K/50V-1608REE	1	C801
854	.2	9A10227400	CC,X7R0.1UF-K/50V-1608REE	1	C802
855	.2	9A10227400	CC,X7R0.1UF-K/50V-1608REE	1	C804
856	.2	9A10227400	CC,X7R0.1UF-K/50V-1608REE	1	C813
857	.2	9A10227400	CC,X7R0.1UF-K/50V-1608REE	1	C814
858	.2	9A10227400	CC,X7R0.1UF-K/50V-1608REE	1	C818
859	.2	9A10227400	CC,X7R0.1UF-K/50V-1608REE	1	C822
860	.2	9A10227400	CC,X7R0.1UF-K/50V-1608REE	1	C826
861	.2	9A10227400	CC,X7R0.1UF-K/50V-1608REE	1	C827
862	.2	9A10227400	CC,X7R0.1UF-K/50V-1608REE	1	C829
863	.2	9A10227400	CC,X7R0.1UF-K/50V-1608REE	1	C830
864	.2	9A10227400	CC,X7R0.1UF-K/50V-1608REE	1	C833
865	.2	9A10227400	CC,X7R0.1UF-K/50V-1608REE	1	C837
866	.2	9A10227400	CC,X7R0.1UF-K/50V-1608REE	1	C841
867	.2	9A10227400	CC,X7R0.1UF-K/50V-1608REE	1	C842
868	.2	9A10227400	CC,X7R0.1UF-K/50V-1608REE	1	C845
869	.2	9A10227400	CC,X7R0.1UF-K/50V-1608REE	1	C847
870	.2	9A10227400	CC,X7R0.1UF-K/50V-1608REE	1	C848
871	.2	9A10227400	CC,X7R0.1UF-K/50V-1608REE	1	C852
872	.2	9A10227400	CC,X7R0.1UF-K/50V-1608REE	1	C854
873	.2	9A10227400	CC,X7R0.1UF-K/50V-1608REE	1	C856
874	.2	9A10227400	CC,X7R0.1UF-K/50V-1608REE	1	C860
875	.2	9A10227400	CC,X7R0.1UF-K/50V-1608REE	1	C863
876	.2	9A10227400	CC,X7R0.1UF-K/50V-1608REE	1	C865
877	.2	9A10227400	CC,X7R0.1UF-K/50V-1608REE	1	C866
878	.2	9A10227400	CC,X7R0.1UF-K/50V-1608REE	1	C869
879	.2	9A10227400	CC,X7R0.1UF-K/50V-1608REE	1	C874FR
880	.2	9A10227400	CC,X7R0.1UF-K/50V-1608REE	1	C874SR
881	.2	9A10227400	CC,X7R0.1UF-K/50V-1608REE	1	C874SW
882	.2	9A10227400	CC,X7R0.1UF-K/50V-1608REE	1	C875FR
883	.2	9A10227400	CC,X7R0.1UF-K/50V-1608REE	1	C875SR
884	.2	9A10227400	CC,X7R0.1UF-K/50V-1608REE	1	C875SW
885	.2	9A10227500	CC,X7R1200PF-K/50V-1608RE	1	C872C
886	.2	9A10227500	CC,X7R1200PF-K/50V-1608RE	1	C872SL
887	.2	9A10227500	CC,X7R1200PF-K/50V-1608RE	1	C872SR
888	.2	9A10227600	CC,X7R1500PF-K/50V-1608RE	1	C828
889	.2	9A10227600	CC,X7R1500PF-K/50V-1608RE	1	C831
890	.2	9A10227600	CC,X7R1500PF-K/50V-1608RE	1	C871C
891	.2	9A10227600	CC,X7R1500PF-K/50V-1608RE	1	C871FL
892	.2	9A10227600	CC,X7R1500PF-K/50V-1608RE	1	C871FR
893	.2	9A10227600	CC,X7R1500PF-K/50V-1608RE	1	C871SL
894	.2	9A10227600	CC,X7R1500PF-K/50V-1608RE	1	C871SR
895	.2	9A10227600	CC,X7R1500PF-K/50V-1608RE	1	C871SW
896	.2	9A10227600	CC,X7R1500PF-K/50V-1608RE	1	C872FL
897	.2	9A10227600	CC,X7R1500PF-K/50V-1608RE	1	C872FR
898	.2	9A10227700	CC,Y5V0.22UF-Z/16V-1608RE	1	C861
899	.2	9A10227800	CC,X7R3300PF-K/50V-1608RE	1	C877C
900	.2	9A10227800	CC,X7R3300PF-K/50V-1608RE	1	C877FL
901	.2	9A10227800	CC,X7R3300PF-K/50V-1608RE	1	C877FR
902	.2	9A10227800	CC,X7R3300PF-K/50V-1608RE	1	C877SL
903	.2	9A10227800	CC,X7R3300PF-K/50V-1608RE	1	C877SR
904	.2	9A10227800	CC,X7R3300PF-K/50V-1608RE	1	C877SW
905	.2	9A09956500	C,POLY,ST-0.1UF-J/100V	1	C872SW
906	.2	9A09956700	C,POLY,ST-0.012UF-J/100V	1	C373SW
907	.2	9A09958000	COIL,2.2UH-Q50/110M-R1.2-	1	L802

908	.2	9A09958000	COIL,2.2UH-Q50/110M-R1.2-	1	L803
909	.2	9A09958200	COIL,4.7UH-Q50/56M-R1.7-5	1	L801
910	.2	9A09958200	COIL,4.7UH-Q50/56M-R1.7-5	1	L804
911	.2	9A09958400	MODULE,GP1FA502RZ/OPTICAL	1	IC802
912	.2	9A09958600	CRYSTAL,12.288MHZ,HC-49S	1	XT801
913	.2	9A09960200	SOCKET,IC SOCKET	1	
914	.2	9A09960400	TER,RCA 2PIN,JC020009LN	1	JACK801
915	.2	9A09979800	IC,EEPROM,M27W201-80B6 2M	1	IC806
916	.2	9A10003600	IC,MC74HCU04AD	1	IC803
917	.2	9A10003700	IC,MM74HC125MX	1	IC809
918	.2	9A10003800	IC,74HCT574	1	IC807
919	.2	9A10003800	IC,74HCT574	1	IC808
920	.2	9A09962500	IC,AK4112BVF-E2 HIGH FEAT	1	IC810
921	.2	9A10003900	IC,AK4527-VQ	1	IC812
922	.2	9A10004000	IC,CS492604-CL	1	IC813
923	.2	9A10004300	IC,BA4510F-T1	1	IC804
924	.2	9A10004300	IC,BA4510F-T1	1	IC805
925	.2	9A09963000	IC,OP,BA4558F-E2/SOP8P	1	IC814
926	.2	9A09963000	IC,OP,BA4558F-E2/SOP8P	1	IC815
927	.2	9A09963000	IC,OP,BA4558F-E2/SOP8P	1	IC816
928	.2	9A09963000	IC,OP,BA4558F-E2/SOP8P	1	IC817
929	.2	9A09963000	IC,OP,BA4558F-E2/SOP8P	1	IC818
930	.2	9A09963300	IC,REG,RC1117-3.3 SOT223	1	IC801
931	.2	9A09963400	IC,REG,MC7805CT TO220 MET	1	IC811
932	.2	9A09964800	TR,KTC2874B TO92-REEL	1	Q806C
933	.2	9A09964800	TR,KTC2874B TO92-REEL	1	Q806FL
934	.2	9A09964800	TR,KTC2874B TO92-REEL	1	Q806FR
935	.2	9A09964800	TR,KTC2874B TO92-REEL	1	Q806SL
936	.2	9A09964800	TR,KTC2874B TO92-REEL	1	Q806SR
937	.2	9A09964800	TR,KTC2874B TO92-REEL	1	Q806SW
938	.2	9A09965200	TR,KRA107S(PH)/SOT-23 RL	1	Q802
939	.2	9A09965200	TR,KRA107S(PH)/SOT-23 RL	1	Q803
940	.2	9A09965200	TR,KRA107S(PH)/SOT-23 RL	1	Q804
941	.2	9A09965200	TR,KRA107S(PH)/SOT-23 RL	1	Q808
942	.2	9A09965600	TR,KRC107S(NH)/SOT-23 RL	1	Q805
943	.2	9A09965600	TR,KRC107S(NH)/SOT-23 RL	1	Q809
944	.2	9A09965900	FET,FET 2SK117Y (TYPE2)	1	Q807FL
945	.2	9A09965900	FET,FET 2SK117Y (TYPE2)	1	Q807FR
946	.2	9A09966400	DIODE,CHIP,1N4148WS/BAV16	1	D801
947	.2	9A09966400	DIODE,CHIP,1N4148WS/BAV16	1	D802
948	.2	9A09966400	DIODE,CHIP,1N4148WS/BAV16	1	D803
949	.2	9A09966400	DIODE,CHIP,1N4148WS/BAV16	1	D804
950	.2	9A09966400	DIODE,CHIP,1N4148WS/BAV16	1	D805
951	.2	9A09966400	DIODE,CHIP,1N4148WS/BAV16	1	D806
952	.2	9A09969700	CN,WAFER,G1L-S-4P-S2T2-EF	1	CP802
953	.2	9A09970400	CN,WAFER,CNT GIL-14P-S2L2	1	CP803
954	.2	9A10005300	CN,WAFER,GIL-15P-S2L2-EF	1	CP801
955	.2	9A09971300	CE,10UF/35V(M) 5X11,P=5	1	C806
956	.2	9A09971300	CE,10UF/35V(M) 5X11,P=5	1	C807
957	.2	9A09971300	CE,10UF/35V(M) 5X11,P=5	1	C851
958	.2	9A09971400	CE,10UF/50V(M) 5X11,P=5	1	C881FL
959	.2	9A09971400	CE,10UF/50V(M) 5X11,P=5	1	C809
960	.2	9A09971400	CE,10UF/50V(M) 5X11,P=5	1	C834
961	.2	9A09971400	CE,10UF/50V(M) 5X11,P=5	1	C835
962	.2	9A09971400	CE,10UF/50V(M) 5X11,P=5	1	C843
963	.2	9A09971400	CE,10UF/50V(M) 5X11,P=5	1	C870C
964	.2	9A09971400	CE,10UF/50V(M) 5X11,P=5	1	C870FL



965	.2	9A09971400	CE,10UF/50V(M) 5X11,P=5	1	C870FR
966	.2	9A09971400	CE,10UF/50V(M) 5X11,P=5	1	C870SL
967	.2	9A09971400	CE,10UF/50V(M) 5X11,P=5	1	C870SR
968	.2	9A09971400	CE,10UF/50V(M) 5X11,P=5	1	C870SW
969	.2	9A09971400	CE,10UF/50V(M) 5X11,P=5	1	C876C
970	.2	9A09971400	CE,10UF/50V(M) 5X11,P=5	1	C876FL
971	.2	9A09971400	CE,10UF/50V(M) 5X11,P=5	1	C876FR
972	.2	9A09971400	CE,10UF/50V(M) 5X11,P=5	1	C876SL
973	.2	9A09971400	CE,10UF/50V(M) 5X11,P=5	1	C876SR
974	.2	9A09971400	CE,10UF/50V(M) 5X11,P=5	1	C876SW
975	.2	9A09971400	CE,10UF/50V(M) 5X11,P=5	1	C880FL
976	.2	9A09971400	CE,10UF/50V(M) 5X11,P=5	1	C880FR
977	.2	9A09971400	CE,10UF/50V(M) 5X11,P=5	1	C881FR
978	.2	9A09971500	CE,100UF/16V(M) 5X11,P=5	1	C812
979	.2	9A09971500	CE,100UF/16V(M) 5X11,P=5	1	C853
980	.2	9A09971500	CE,100UF/16V(M) 5X11,P=5	1	C864
981	.2	9A09971500	CE,100UF/16V(M) 5X11,P=5	1	C840
982	.2	9A09971600	CE,100UF/25V(M)6.3X11,P=5	1	C855
983	.2	9A09971600	CE,100UF/25V(M)6.3X11,P=5	1	C857
984	.2	9A09971900	CE,0.1UF/50V(M) 5X11,P=5	1	C817
985	.2	9A09971900	CE,0.1UF/50V(M) 5X11,P=5	1	C819
986	.2	9A09971900	CE,0.1UF/50V(M) 5X11,P=5	1	C823
987	.2	9A09972000	CE,1UF/50V(M) 5X11,P=5	1	C882
988	.2	9A09972000	CE,1UF/50V(M) 5X11,P=5	1	C808
989	.2	9A09972000	CE,1UF/50V(M) 5X11,P=5	1	C844
990	.2	9A09972000	CE,1UF/50V(M) 5X11,P=5	1	C849
991	.2	9A09972000	CE,1UF/50V(M) 5X11,P=5	1	C867
992	.2	9A09972200	CE,220UF/6.3V(M)6.3X11P=5	1	C846
993	.2	9A09972400	CE,2.2UF/50V(M) 5X11,P=5	1	C858
994	.2	9A09972400	CE,2.2UF/50V(M) 5X11,P=5	1	C868
995	.2	9A09972900	CE,47UF/10V(M) 5X11,P=5	1	C859
996	.2	9A09973100	CE,47UF/25V(M) 5X11,P=5	1	C810
997	1	9A09986000	REMOTE,UR-422	1	
998	1	9A09985500	ANTENNA,ROOP,STD	1	
999	1	9A09994600	P.C.B TOTAL ASSY,AMP,	1	
1000	.2	9A09944300	R,CARBON,1K-J,1/5W	1	R201SL
1001	.2	9A09944300	R,CARBON,1K-J,1/5W	1	R201SR
1002	.2	9A09944300	R,CARBON,1K-J,1/5W	1	R201C
1003	.2	9A09944300	R,CARBON,1K-J,1/5W	1	R201L
1004	.2	9A09944300	R,CARBON,1K-J,1/5W	1	R201R
1005	.2	9A09944400	R,CARBON,10K-J,1/5W	1	R210C
1006	.2	9A09944400	R,CARBON,10K-J,1/5W	1	R210L
1007	.2	9A09944400	R,CARBON,10K-J,1/5W	1	R210R
1008	.2	9A09944400	R,CARBON,10K-J,1/5W	1	R210SL
1009	.2	9A09944400	R,CARBON,10K-J,1/5W	1	R210SR
1010	.2	9A09944400	R,CARBON,10K-J,1/5W	1	R233C
1011	.2	9A09944400	R,CARBON,10K-J,1/5W	1	R233L
1012	.2	9A09944400	R,CARBON,10K-J,1/5W	1	R233R
1013	.2	9A09944400	R,CARBON,10K-J,1/5W	1	R233SL
1014	.2	9A09944400	R,CARBON,10K-J,1/5W	1	R233SR
1015	.2	9A09944400	R,CARBON,10K-J,1/5W	1	R235C
1016	.2	9A09944400	R,CARBON,10K-J,1/5W	1	R235L
1017	.2	9A09944400	R,CARBON,10K-J,1/5W	1	R235R
1018	.2	9A09944400	R,CARBON,10K-J,1/5W	1	R235SL
1019	.2	9A09944400	R,CARBON,10K-J,1/5W	1	R235SR
1020	.2	9A09944700	R,CARBON,1.2K-J,1/5W-52RE	1	R212C
1021	.2	9A09944700	R,CARBON,1.2K-J,1/5W-52RE	1	R212L

1022	.2	9A09944700	R,CARBON,1.2K-J,1/5W-52RE	1	R212R
1023	.2	9A09944700	R,CARBON,1.2K-J,1/5W-52RE	1	R212SL
1024	.2	9A09944700	R,CARBON,1.2K-J,1/5W-52RE	1	R212SR
1025	.2	9A09944800	R,CARBON,15-J,1/5W-52RE-	1	R203C
1026	.2	9A09944800	R,CARBON,15-J,1/5W-52RE-	1	R203L
1027	.2	9A09944800	R,CARBON,15-J,1/5W-52RE-	1	R203R
1028	.2	9A09944800	R,CARBON,15-J,1/5W-52RE-	1	R203SL
1029	.2	9A09944800	R,CARBON,15-J,1/5W-52RE-	1	R203SR
1030	.2	9A09944800	R,CARBON,15-J,1/5W-52RE-	1	R204C
1031	.2	9A09944800	R,CARBON,15-J,1/5W-52RE-	1	R204R
1032	.2	9A09944800	R,CARBON,15-J,1/5W-52RE-	1	R204L
1033	.2	9A09944800	R,CARBON,15-J,1/5W-52RE-	1	R204SL
1034	.2	9A09944800	R,CARBON,15-J,1/5W-52RE-	1	R204SR
1035	.2	9A09944900	R,CARBON,150-J,1/5W-52RE-	1	R209C
1036	.2	9A09944900	R,CARBON,150-J,1/5W-52RE-	1	R209L
1037	.2	9A09944900	R,CARBON,150-J,1/5W-52RE-	1	R209R
1038	.2	9A09944900	R,CARBON,150-J,1/5W-52RE-	1	R209SL
1039	.2	9A09944900	R,CARBON,150-J,1/5W-52RE-	1	R209SR
1040	.2	9A09945100	R,CARBON,150K-J,1/5W-52RE	1	R234C
1041	.2	9A09945100	R,CARBON,150K-J,1/5W-52RE	1	R234L
1042	.2	9A09945100	R,CARBON,150K-J,1/5W-52RE	1	R234R
1043	.2	9A09945100	R,CARBON,150K-J,1/5W-52RE	1	R234SL
1044	.2	9A09945100	R,CARBON,150K-J,1/5W-52RE	1	R234SR
1045	.2	9A09945300	R,CARBON,2.2K-J,1/5W	1	R236C
1046	.2	9A09945300	R,CARBON,2.2K-J,1/5W	1	R236L
1047	.2	9A09945300	R,CARBON,2.2K-J,1/5W	1	R236R
1048	.2	9A09945300	R,CARBON,2.2K-J,1/5W	1	R236SL
1049	.2	9A09945300	R,CARBON,2.2K-J,1/5W	1	R236SR
1050	.2	9A09945400	R,CARBON,22K-J,1/5W-52RE-	1	R223C
1051	.2	9A09945400	R,CARBON,22K-J,1/5W-52RE-	1	R223R
1052	.2	9A09945400	R,CARBON,22K-J,1/5W-52RE-	1	R223L
1053	.2	9A09945400	R,CARBON,22K-J,1/5W-52RE-	1	R223SR
1054	.2	9A09945400	R,CARBON,22K-J,1/5W-52RE-	1	R223SL
1055	.2	9A09945400	R,CARBON,22K-J,1/5W-52RE-	1	R224C
1056	.2	9A09945400	R,CARBON,22K-J,1/5W-52RE-	1	R224L
1057	.2	9A09945400	R,CARBON,22K-J,1/5W-52RE-	1	R224R
1058	.2	9A09945400	R,CARBON,22K-J,1/5W-52RE-	1	R224SL
1059	.2	9A09945400	R,CARBON,22K-J,1/5W-52RE-	1	R224SR
1060	.2	9A09945400	R,CARBON,22K-J,1/5W-52RE-	1	R245L
1061	.2	9A09945400	R,CARBON,22K-J,1/5W-52RE-	1	R245R
1062	.2	9A09945800	R,CARBON,33K-J,1/5W-52RE-	1	R202C
1063	.2	9A09945800	R,CARBON,33K-J,1/5W-52RE-	1	R202L
1064	.2	9A09945800	R,CARBON,33K-J,1/5W-52RE-	1	R202R
1065	.2	9A09945800	R,CARBON,33K-J,1/5W-52RE-	1	R202SL
1066	.2	9A09945800	R,CARBON,33K-J,1/5W-52RE-	1	R202SR
1067	.2	9A09945800	R,CARBON,33K-J,1/5W-52RE-	1	R213C
1068	.2	9A09945800	R,CARBON,33K-J,1/5W-52RE-	1	R213L
1069	.2	9A09945800	R,CARBON,33K-J,1/5W-52RE-	1	R213R
1070	.2	9A09945800	R,CARBON,33K-J,1/5W-52RE-	1	R213SL
1071	.2	9A09945800	R,CARBON,33K-J,1/5W-52RE-	1	R213SR
1072	.2	9A09945900	R,CARBON,39-J,1/5W-52RE-	1	R237C
1073	.2	9A09945900	R,CARBON,39-J,1/5W-52RE-	1	R237L
1074	.2	9A09945900	R,CARBON,39-J,1/5W-52RE-	1	R237R
1075	.2	9A09945900	R,CARBON,39-J,1/5W-52RE-	1	R238C
1076	.2	9A09945900	R,CARBON,39-J,1/5W-52RE-	1	R238L
1077	.2	9A09945900	R,CARBON,39-J,1/5W-52RE-	1	R239C
1078	.2	9A09945900	R,CARBON,39-J,1/5W-52RE-	1	R239L

1079	.2	9A09945900	R,CARBON,39-J,1/5W-52RE-	1	R239R
1080	.2	9A09945900	R,CARBON,39-J,1/5W-52RE-	1	R240C
1081	.2	9A09945900	R,CARBON,39-J,1/5W-52RE-	1	R240L
1082	.2	9A09945900	R,CARBON,39-J,1/5W-52RE-	1	R240R
1083	.2	9A09945900	R,CARBON,39-J,1/5W-52RE-	1	R238R
1084	.2	9A09946100	R,CARBON,43K-J,1/5W-52RE-	1	R211C
1085	.2	9A09946100	R,CARBON,43K-J,1/5W-52RE-	1	R211R
1086	.2	9A09946100	R,CARBON,43K-J,1/5W-52RE-	1	R211L
1087	.2	9A09946100	R,CARBON,43K-J,1/5W-52RE-	1	R211SL
1088	.2	9A09946100	R,CARBON,43K-J,1/5W-52RE-	1	R211SR
1089	.2	9A09946300	R,CARBON,470-J,1/5W-52RE	1	R207C
1090	.2	9A09946300	R,CARBON,470-J,1/5W-52RE	1	R207L
1091	.2	9A09946300	R,CARBON,470-J,1/5W-52RE	1	R207R
1092	.2	9A09946300	R,CARBON,470-J,1/5W-52RE	1	R207SL
1093	.2	9A09946300	R,CARBON,470-J,1/5W-52RE	1	R207SR
1094	.2	9A09946800	R,CARBON,560-J,1/5W-52RE-	1	R214C
1095	.2	9A09946800	R,CARBON,560-J,1/5W-52RE-	1	R214L
1096	.2	9A09946800	R,CARBON,560-J,1/5W-52RE-	1	R214R
1097	.2	9A09946800	R,CARBON,560-J,1/5W-52RE-	1	R214SL
1098	.2	9A09946800	R,CARBON,560-J,1/5W-52RE-	1	R214SR
1099	.2	9A09946800	R,CARBON,560-J,1/5W-52RE-	1	R217C
1100	.2	9A09946800	R,CARBON,560-J,1/5W-52RE-	1	R217R
1101	.2	9A09946800	R,CARBON,560-J,1/5W-52RE-	1	R217L
1102	.2	9A09946800	R,CARBON,560-J,1/5W-52RE-	1	R217SL
1103	.2	9A09946800	R,CARBON,560-J,1/5W-52RE-	1	R217SR
1104	.2	9A09946800	R,CARBON,560-J,1/5W-52RE-	1	R216C
1105	.2	9A09946800	R,CARBON,560-J,1/5W-52RE-	1	R216L
1106	.2	9A09946800	R,CARBON,560-J,1/5W-52RE-	1	R216R
1107	.2	9A09946800	R,CARBON,560-J,1/5W-52RE-	1	R216SL
1108	.2	9A09946800	R,CARBON,560-J,1/5W-52RE-	1	R216SR
1109	.2	9A09946800	R,CARBON,560-J,1/5W-52RE-	1	R218C
1110	.2	9A09946800	R,CARBON,560-J,1/5W-52RE-	1	R218L
1111	.2	9A09946800	R,CARBON,560-J,1/5W-52RE-	1	R218R
1112	.2	9A09946800	R,CARBON,560-J,1/5W-52RE-	1	R218SL
1113	.2	9A09946800	R,CARBON,560-J,1/5W-52RE-	1	R218SR
1114	.2	9A09946800	R,CARBON,560-J,1/5W-52RE-	1	R219C
1115	.2	9A09946800	R,CARBON,560-J,1/5W-52RE-	1	R219L
1116	.2	9A09946800	R,CARBON,560-J,1/5W-52RE-	1	R219R
1117	.2	9A09946800	R,CARBON,560-J,1/5W-52RE-	1	R219SL
1118	.2	9A09946800	R,CARBON,560-J,1/5W-52RE-	1	R219SR
1119	.2	9A09946800	R,CARBON,560-J,1/5W-52RE-	1	R220C
1120	.2	9A09946800	R,CARBON,560-J,1/5W-52RE-	1	R220L
1121	.2	9A09946800	R,CARBON,560-J,1/5W-52RE-	1	R220R
1122	.2	9A09946800	R,CARBON,560-J,1/5W-52RE-	1	R220SL
1123	.2	9A09946800	R,CARBON,560-J,1/5W-52RE-	1	R220SR
1124	.2	9A09947000	R,CARBON,68-J,1/5W-52RE-	1	R208C
1125	.2	9A09947000	R,CARBON,68-J,1/5W-52RE-	1	R208L
1126	.2	9A09947000	R,CARBON,68-J,1/5W-52RE-	1	R208R
1127	.2	9A09947000	R,CARBON,68-J,1/5W-52RE-	1	R208SL
1128	.2	9A09947000	R,CARBON,68-J,1/5W-52RE-	1	R208SR
1129	.2	9A09947500	R,CARBON,750-J,1/5W-52RE-	1	R205C
1130	.2	9A09947500	R,CARBON,750-J,1/5W-52RE-	1	R205L
1131	.2	9A09947500	R,CARBON,750-J,1/5W-52RE-	1	R205R
1132	.2	9A09947500	R,CARBON,750-J,1/5W-52RE-	1	R205SL
1133	.2	9A09947500	R,CARBON,750-J,1/5W-52RE-	1	R205SR
1134	.2	9A09947500	R,CARBON,750-J,1/5W-52RE-	1	R206C
1135	.2	9A09947500	R,CARBON,750-J,1/5W-52RE-	1	R206L

1136	.2	9A09947500	R,CARBON,750-J,1/5W-52RE-	1	R206R
1137	.2	9A09947500	R,CARBON,750-J,1/5W-52RE-	1	R206SL
1138	.2	9A09947500	R,CARBON,750-J,1/5W-52RE-	1	R206SR
1139	.2	9A09947600	R,CARBON,82-J,1/5W-52RE-	1	R221C
1140	.2	9A09947600	R,CARBON,82-J,1/5W-52RE-	1	R221R
1141	.2	9A09947600	R,CARBON,82-J,1/5W-52RE-	1	R221L
1142	.2	9A09947600	R,CARBON,82-J,1/5W-52RE-	1	R221SL
1143	.2	9A09947600	R,CARBON,82-J,1/5W-52RE-	1	R221SR
1144	.2	9A09947600	R,CARBON,82-J,1/5W-52RE-	1	R222C
1145	.2	9A09947600	R,CARBON,82-J,1/5W-52RE-	1	R222SL
1146	.2	9A09947600	R,CARBON,82-J,1/5W-52RE-	1	R222SR
1147	.2	9A09947600	R,CARBON,82-J,1/5W-52RE-	1	R222R
1148	.2	9A09947600	R,CARBON,82-J,1/5W-52RE-	1	R222L
1149	.2	9A09947800	R,CARBON,4.7-J,1/5W-52RE-	1	R231C
1150	.2	9A09947800	R,CARBON,4.7-J,1/5W-52RE-	1	R231L
1151	.2	9A09947800	R,CARBON,4.7-J,1/5W-52RE-	1	R231R
1152	.2	9A09947800	R,CARBON,4.7-J,1/5W-52RE-	1	R231SL
1153	.2	9A09947800	R,CARBON,4.7-J,1/5W-52RE-	1	R231SR
1154	.2	9A09947800	R,CARBON,4.7-J,1/5W-52RE-	1	R232C
1155	.2	9A09947800	R,CARBON,4.7-J,1/5W-52RE-	1	R232L
1156	.2	9A09947800	R,CARBON,4.7-J,1/5W-52RE-	1	R232R
1157	.2	9A09947800	R,CARBON,4.7-J,1/5W-52RE-	1	R232SL
1158	.2	9A09947800	R,CARBON,4.7-J,1/5W-52RE-	1	R232SR
1159	.2	9A09947800	R,CARBON,4.7-J,1/5W-52RE-	1	R225C
1160	.2	9A09947800	R,CARBON,4.7-J,1/5W-52RE-	1	R225FL
1161	.2	9A09947800	R,CARBON,4.7-J,1/5W-52RE-	1	R225FR
1162	.2	9A09947800	R,CARBON,4.7-J,1/5W-52RE-	1	R225SL
1163	.2	9A09947800	R,CARBON,4.7-J,1/5W-52RE-	1	R225SR
1164	.2	9A09948400	R,METAL,220-J,1/4W-R.REEL	1	R228C
1165	.2	9A09948400	R,METAL,220-J,1/4W-R.REEL	1	R228L
1166	.2	9A09948400	R,METAL,220-J,1/4W-R.REEL	1	R228R
1167	.2	9A09948400	R,METAL,220-J,1/4W-R.REEL	1	R228SL
1168	.2	9A09948400	R,METAL,220-J,1/4W-R.REEL	1	R228SR
1169	.2	9A09948400	R,METAL,220-J,1/4W-R.REEL	1	R229C
1170	.2	9A09948400	R,METAL,220-J,1/4W-R.REEL	1	R229L
1171	.2	9A09948400	R,METAL,220-J,1/4W-R.REEL	1	R229R
1172	.2	9A09948400	R,METAL,220-J,1/4W-R.REEL	1	R229SL
1173	.2	9A09948400	R,METAL,220-J,1/4W-R.REEL	1	R229SR
1174	.2	9A09953200	CC,SL1PF-K/50V-52RE	1	C214C
1175	.2	9A09953200	CC,SL1PF-K/50V-52RE	1	C214L
1176	.2	9A09953200	CC,SL1PF-K/50V-52RE	1	C214R
1177	.2	9A09953200	CC,SL1PF-K/50V-52RE	1	C214SL
1178	.2	9A09953200	CC,SL1PF-K/50V-52RE	1	C214SR
1179	.2	9A09953800	CC,B0.001UF-K/50V-52RE	1	C203C
1180	.2	9A09953800	CC,B0.001UF-K/50V-52RE	1	C203L
1181	.2	9A09953800	CC,B0.001UF-K/50V-52RE	1	C203R
1182	.2	9A09953800	CC,B0.001UF-K/50V-52RE	1	C203SL
1183	.2	9A09953800	CC,B0.001UF-K/50V-52RE	1	C203SR
1184	.2	9A10227900	CC,B180PF-K/50V-52RE	1	C215C
1185	.2	9A10227900	CC,B180PF-K/50V-52RE	1	C215L
1186	.2	9A10227900	CC,B180PF-K/50V-52RE	1	C215R
1187	.2	9A10227900	CC,B180PF-K/50V-52RE	1	C215SL
1188	.2	9A10227900	CC,B180PF-K/50V-52RE	1	C215SR
1189	.2	9A10222900	CC,F0.022UF-Z/25V-52RE	1	C212C
1190	.2	9A10222900	CC,F0.022UF-Z/25V-52RE	1	C212L
1191	.2	9A10222900	CC,F0.022UF-Z/25V-52RE	1	C212R
1192	.2	9A10222900	CC,F0.022UF-Z/25V-52RE	1	C212SL

1193	.2	9A10222900	CC,F0.022UF-Z/25V-52RE	1	C212SR
1194	.2	9A09954200	CC,B330PF-K/50V-52RE	1	C202C
1195	.2	9A09954200	CC,B330PF-K/50V-52RE	1	C202L
1196	.2	9A09954200	CC,B330PF-K/50V-52RE	1	C202R
1197	.2	9A09954200	CC,B330PF-K/50V-52RE	1	C202SL
1198	.2	9A09954200	CC,B330PF-K/50V-52RE	1	C202SR
1199	.2	9A09957300	CE,47UF-M/100V,10*12.5	1	C210C
1200	.2	9A09957300	CE,47UF-M/100V,10*12.5	1	C210L
1201	.2	9A09957300	CE,47UF-M/100V,10*12.5	1	C210R
1202	.2	9A09957300	CE,47UF-M/100V,10*12.5	1	C210SL
1203	.2	9A09957300	CE,47UF-M/100V,10*12.5	1	C210SR
1204	.2	9A09957300	CE,47UF-M/100V,10*12.5	1	C211C
1205	.2	9A09957300	CE,47UF-M/100V,10*12.5	1	C211L
1206	.2	9A09957300	CE,47UF-M/100V,10*12.5	1	C211R
1207	.2	9A09957300	CE,47UF-M/100V,10*12.5	1	C211SL
1208	.2	9A09957300	CE,47UF-M/100V,10*12.5	1	C211SR
1209	.2	9A09958300	COIL,INDUCTOR COIL	1	L201C
1210	.2	9A09958300	COIL,INDUCTOR COIL	1	L201L
1211	.2	9A09958300	COIL,INDUCTOR COIL	1	L201R
1212	.2	9A09964200	TR,KSA992F,0.5W/T092-RL	1	Q204L
1213	.2	9A09964200	TR,KSA992F,0.5W/T092-RL	1	Q204C
1214	.2	9A09964200	TR,KSA992F,0.5W/T092-RL	1	Q204R
1215	.2	9A09964200	TR,KSA992F,0.5W/T092-RL	1	Q203SR
1216	.2	9A09964200	TR,KSA992F,0.5W/T092-RL	1	Q201C
1217	.2	9A09964200	TR,KSA992F,0.5W/T092-RL	1	Q201L
1218	.2	9A09964200	TR,KSA992F,0.5W/T092-RL	1	Q201R
1219	.2	9A09964200	TR,KSA992F,0.5W/T092-RL	1	Q201SL
1220	.2	9A09964200	TR,KSA992F,0.5W/T092-RL	1	Q201SR
1221	.2	9A09964200	TR,KSA992F,0.5W/T092-RL	1	Q202C
1222	.2	9A09964200	TR,KSA992F,0.5W/T092-RL	1	C202R
1223	.2	9A09964200	TR,KSA992F,0.5W/T092-RL	1	Q202L
1224	.2	9A09964200	TR,KSA992F,0.5W/T092-RL	1	Q202SR
1225	.2	9A09964200	TR,KSA992F,0.5W/T092-RL	1	Q202SL
1226	.2	9A09964200	TR,KSA992F,0.5W/T092-RL	1	Q203C
1227	.2	9A09964200	TR,KSA992F,0.5W/T092-RL	1	Q203R
1228	.2	9A09964200	TR,KSA992F,0.5W/T092-RL	1	Q203L
1229	.2	9A09964200	TR,KSA992F,0.5W/T092-RL	1	Q203SL
1230	.2	9A09964200	TR,KSA992F,0.5W/T092-RL	1	Q204SL
1231	.2	9A09964200	TR,KSA992F,0.5W/T092-RL	1	Q204SR
1232	.2	9A09964200	TR,KSA992F,0.5W/T092-RL	1	Q207C
1233	.2	9A09964200	TR,KSA992F,0.5W/T092-RL	1	Q207L
1234	.2	9A09964200	TR,KSA992F,0.5W/T092-RL	1	Q207R
1235	.2	9A09964200	TR,KSA992F,0.5W/T092-RL	1	Q207SL
1236	.2	9A09964200	TR,KSA992F,0.5W/T092-RL	1	Q207SR
1237	.2	9A09964300	TR,KTA1024Y,1W/T092L-REEL	1	Q208C
1238	.2	9A09964300	TR,KTA1024Y,1W/T092L-REEL	1	Q208L
1239	.2	9A09964300	TR,KTA1024Y,1W/T092L-REEL	1	Q208R
1240	.2	9A09964300	TR,KTA1024Y,1W/T092L-REEL	1	Q208SL
1241	.2	9A09964300	TR,KTA1024Y,1W/T092L-REEL	1	Q208SR
1242	.2	9A09964700	TR,KSC1845F,0.5W/T092-RL	1	Q205C
1243	.2	9A09964700	TR,KSC1845F,0.5W/T092-RL	1	Q205L
1244	.2	9A09964700	TR,KSC1845F,0.5W/T092-RL	1	Q205R
1245	.2	9A09964700	TR,KSC1845F,0.5W/T092-RL	1	Q205SL
1246	.2	9A09964700	TR,KSC1845F,0.5W/T092-RL	1	Q205SR
1247	.2	9A09964700	TR,KSC1845F,0.5W/T092-RL	1	Q206C
1248	.2	9A09964700	TR,KSC1845F,0.5W/T092-RL	1	Q206R
1249	.2	9A09964700	TR,KSC1845F,0.5W/T092-RL	1	Q206L

1250	.2	9A09964700	TR,KSC1845F,0.5W/TO92-RL	1	Q206SR
1251	.2	9A09964700	TR,KSC1845F,0.5W/TO92-RL	1	Q206SL
1252	.2	9A09964700	TR,KSC1845F,0.5W/TO92-RL	1	Q215C
1253	.2	9A09964700	TR,KSC1845F,0.5W/TO92-RL	1	Q215L
1254	.2	9A09964700	TR,KSC1845F,0.5W/TO92-RL	1	Q215R
1255	.2	9A09964700	TR,KSC1845F,0.5W/TO92-RL	1	Q215SL
1256	.2	9A09964700	TR,KSC1845F,0.5W/TO92-RL	1	Q215SR
1257	.2	9A09965000	TR,KTC3206Y,1W/TO92L-RL	1	Q209C
1258	.2	9A09965000	TR,KTC3206Y,1W/TO92L-RL	1	Q209R
1259	.2	9A09965000	TR,KTC3206Y,1W/TO92L-RL	1	Q209L
1260	.2	9A09965000	TR,KTC3206Y,1W/TO92L-RL	1	Q209SR
1261	.2	9A09965000	TR,KTC3206Y,1W/TO92L-RL	1	Q209SL
1262	.2	9A09966200	DIODE,1SS133T-72-52MM	1	D201C
1263	.2	9A09966200	DIODE,1SS133T-72-52MM	1	D201L
1264	.2	9A09966200	DIODE,1SS133T-72-52MM	1	D201R
1265	.2	9A09966200	DIODE,1SS133T-72-52MM	1	D201SL
1266	.2	9A09966200	DIODE,1SS133T-72-52MM	1	D201SR
1267	.2	9A09966200	DIODE,1SS133T-72-52MM	1	D202C
1268	.2	9A09966200	DIODE,1SS133T-72-52MM	1	D202L
1269	.2	9A09966200	DIODE,1SS133T-72-52MM	1	D202R
1270	.2	9A09966200	DIODE,1SS133T-72-52MM	1	D202SL
1271	.2	9A09966200	DIODE,1SS133T-72-52MM	1	D202SR
1272	.2	9A09966200	DIODE,1SS133T-72-52MM	1	D203C
1273	.2	9A09966200	DIODE,1SS133T-72-52MM	1	D203L
1274	.2	9A09966200	DIODE,1SS133T-72-52MM	1	D203R
1275	.2	9A09966200	DIODE,1SS133T-72-52MM	1	D203SL
1276	.2	9A09966200	DIODE,1SS133T-72-52MM	1	D203SR
1277	.2	9A10228000	CN,WIRE,80MM 9P 2.5MM #20	1	CN202
1278	.2	9A10228100	CN,WIRE,80MM 10P2.5MM #20	1	CN201
1279	.2	9A10005200	CN,WAFER,GIL-S-10P-S2T2EF	1	CP201
1280	.2	9A09971400	CE,10UF/50V(M) 5X11,P=5	1	C209C
1281	.2	9A09971400	CE,10UF/50V(M) 5X11,P=5	1	C209L
1282	.2	9A09971400	CE,10UF/50V(M) 5X11,P=5	1	C209R
1283	.2	9A09971400	CE,10UF/50V(M) 5X11,P=5	1	C209SR
1284	.2	9A09971400	CE,10UF/50V(M) 5X11,P=5	1	C209SL
1285	.2	9A09972100	CE,22UF/50V(M) 5X11,P=5	1	C204L
1286	.2	9A09972100	CE,22UF/50V(M) 5X11,P=5	1	C204R
1287	.2	9A09972100	CE,22UF/50V(M) 5X11,P=5	1	C205C
1288	.2	9A09972100	CE,22UF/50V(M) 5X11,P=5	1	C205L
1289	.2	9A09972100	CE,22UF/50V(M) 5X11,P=5	1	C205R
1290	.2	9A09972100	CE,22UF/50V(M) 5X11,P=5	1	C205SL
1291	.2	9A09972100	CE,22UF/50V(M) 5X11,P=5	1	C205SR
1292	.2	9A09972300	CE,220UF/10V(M) 6.3X11,	1	C206SR
1293	.2	9A09972300	CE,220UF/10V(M) 6.3X11,	1	C206SL
1294	.2	9A09972300	CE,220UF/10V(M) 6.3X11,	1	C206C
1295	.2	9A09972300	CE,220UF/10V(M) 6.3X11,	1	C206R
1296	.2	9A09972300	CE,220UF/10V(M) 6.3X11,	1	C206L
1297	.2	9A10228200	CE,47UF/50V(M) 6.3x11,P=5	1	C205C
1298	.2	9A10228200	CE,47UF/50V(M) 6.3x11,P=5	1	C205SL
1299	.2	9A10228200	CE,47UF/50V(M) 6.3x11,P=5	1	C205SR
1300	.2	9A10228200	CE,47UF/50V(M) 6.3x11,P=5	1	C204C
1301	.2	9A10228200	CE,47UF/50V(M) 6.3x11,P=5	1	C204SL
1302	.2	9A10228200	CE,47UF/50V(M) 6.3x11,P=5	1	C204SR
1303	.2	9A09973400	CE,4.7UF/50V(M) 5X11,P=5	1	C201C
1304	.2	9A09973400	CE,4.7UF/50V(M) 5X11,P=5	1	C201L
1305	.2	9A09973400	CE,4.7UF/50V(M) 5X11,P=5	1	C201R
1306	.2	9A09973400	CE,4.7UF/50V(M) 5X11,P=5	1	C201SL

1307	.2	9A09973400	CE,4.7UF/50V(M) 5X11,P=5	1	C201SR
1308	1	9A09977400	S-VIDEO PCB ASSY	1	
1309	.2	9A09944400	R,CARBON,10K-J,1/5W	1	R503
1310	.2	9A09944400	R,CARBON,10K-J,1/5W	1	R504
1311	.2	9A09944400	R,CARBON,10K-J,1/5W	1	R507
1312	.2	9A09944400	R,CARBON,10K-J,1/5W	1	R508
1313	.2	9A09945700	R,CARBON,3.3K-J,1/5W-52RE	1	R517
1314	.2	9A09945700	R,CARBON,3.3K-J,1/5W-52RE	1	R518
1315	.2	9A10228400	R,390-J,1/5W-52RE-AX	1	R513
1316	.2	9A10228400	R,390-J,1/5W-52RE-AX	1	R514
1317	.2	9A10228400	R,390-J,1/5W-52RE-AX	1	R515
1318	.2	9A10228400	R,390-J,1/5W-52RE-AX	1	R516
1319	.2	9A09947000	R,CARBON,68-J,1/5W-52RE-	1	R501
1320	.2	9A09947000	R,CARBON,68-J,1/5W-52RE-	1	R502
1321	.2	9A09947000	R,CARBON,68-J,1/5W-52RE-	1	R505
1322	.2	9A09947000	R,CARBON,68-J,1/5W-52RE-	1	R506
1323	.2	9A09947400	R,CARBON,75-J,1/5W-52RE	1	R509
1324	.2	9A09947400	R,CARBON,75-J,1/5W-52RE	1	R510
1325	.2	9A09947400	R,CARBON,75-J,1/5W-52RE	1	R511
1326	.2	9A09947400	R,CARBON,75-J,1/5W-52RE	1	R512
1327	.2	9A09948600	R,METAL,RES MF 33 OHM 1W	1	R519
1328	.2	9A09954400	CC,F0.047UF-Z/50V-52RE	1	C509
1329	.2	9A09954400	CC,F0.047UF-Z/50V-52RE	1	C510
1330	.2	9A09959900	JACK,DIN,S-VIDEO JACK 2P,	1	JACK502
1331	.2	9A09959900	JACK,DIN,S-VIDEO JACK 2P,	1	JACK501
1332	.2	9A09964000	IC,SW,IC LA7952 SIP8	1	IC502
1333	.2	9A09964000	IC,SW,IC LA7952 SIP8	1	IC501
1334	.2	9A10004500	TR,KTC3198Y	1	Q504
1335	.2	9A10004500	TR,KTC3198Y	1	Q503
1336	.2	9A10004500	TR,KTC3198Y	1	Q501
1337	.2	9A10004500	TR,KTC3198Y	1	Q502
1338	.2	9A09966100	BRT,KRC107M,0.4W/TO92M-RL	1	Q505
1339	.2	9A09966100	BRT,KRC107M,0.4W/TO92M-RL	1	Q506
1340	.2	9A09966100	BRT,KRC107M,0.4W/TO92M-RL	1	Q507
1341	.2	9A09966100	BRT,KRC107M,0.4W/TO92M-RL	1	Q508
1342	.2	9A09966200	DIODE,1SS133T-72-52MM	1	D501
1343	.2	9A09966200	DIODE,1SS133T-72-52MM	1	D502
1344	.2	9A09967000	D,ZENER,MTZJ12B-0.5W	1	ZD501
1345	.2	9A10005000	CN,WAFER,GIL-S-04P-S2L2EF	1	CP501
1346	.2	9A09971400	CE,10UF/50V(M) 5X11,P=5	1	C505
1347	.2	9A09971400	CE,10UF/50V(M) 5X11,P=5	1	C506
1348	.2	9A09971400	CE,10UF/50V(M) 5X11,P=5	1	C507
1349	.2	9A09971400	CE,10UF/50V(M) 5X11,P=5	1	C508
1350	.2	9A09971500	CE,100UF/16V(M) 5X11,P=5	1	C511
1351	.2	9A09971500	CE,100UF/16V(M) 5X11,P=5	1	C512
1352	.2	9A09973200	CE,470UF/6.3V(M) 8X11,P=5	1	C501
1353	.2	9A09973200	CE,470UF/6.3V(M) 8X11,P=5	1	C503
1354	.2	9A09973200	CE,470UF/6.3V(M) 8X11,P=5	1	C502
1355	.2	9A09973200	CE,470UF/6.3V(M) 8X11,P=5	1	C504
1356	1	9A09985600	ANTENNA,WIRE,67029	1	
1357	1	9A09985700	BATTERY,DRY,AAA	2	
1358	1	9A09995800	POWER SW PCB ASSY	1	
1359	.2	9A09959200	SW,PUSH,SDDL-005-S	1	
1360	.2	9A10228500	CN,2P 35191-03=B3951-03 B	1	
1361	1	9A09985800	MATCHING TRANS	1	
1362	1	9A09995900	HEADPHONE PCB ASSY	1	
1363	.2	9A09954000	CC,F0.1UF-Z/50V-52RE	1	C601

1364	.2	9A09959600	JACK,D6.5,DAERYUNG/H1N380	1	
1365	.2	9A10228300	CN,4P A2505-04=B2513-04 1	1	CN304
1366	1	9A09976400	KNOB ASSY,AL SILVER/VOL	2	1
1367	1	9A09978300	ST/BY PCB ASSY	1	
1368	.2	9A09959500	SW,TACT,SKHV10920A,5MM/	1	SW307
1369	.2	9A09978000	P.C.B INS ASSY,AG10D T/C	1	
1370	.2	9A09969500	CN,WAFER,GIL-S-2P-S2L2-EF	1	CP715
1371	.2	9A09978100	P.C.B INS ASSY,AG10D T/C	1	
1372	.2	9A09981700	P.C.B SUB ASSY,AG10D T/C	1	
1373	.2	9A09959500	SW,TACT,SKHV10920A,5MM/	1	SW308
1374	.2	9A09969500	CN,WAFER,GIL-S-2P-S2L2-EF	1	CP409
1375	1	9A09980600	PANEL,AL(SILVER)/FRONT TC	1	2
1376	1	9A09995300	P.C.B TOTAL ASSY,POWER,	1	
1377	.2	9A09975400	TERM,ALL PBST/GND P-REEL	1	GND711
1378	.2	9A09978800	TRANS•ST/BY	1	T710
1379	.2	9A09944400	R,CARBON,10K-J,1/5W	1	R713
1380	.2	9A09945000	R,CARBON,15K-J,1/5W	1	R714
1381	.2	9A09945200	R,CARBON,1.8K-J,1/5W-52RE	1	R718
1382	.2	9A09946300	R,CARBON,470-J,1/5W-52RE	1	R712
1383	.2	9A09948800	R,METAL,47-J,1/4W-R.REEL	1	R716
1384	.2	9A09979300	CC,F0.1UF-Z/50V-5RE PI6	1	C713
1385	.2	9A09954700	CC,AC13F472MDOA P=10,4.0*	1	C714
1386	.2	9A09956900	C,POLY,ST-0.047UF-J/100V	1	C710
1387	.2	9A09956900	C,POLY,ST-0.047UF-J/100V	1	C712
1388	.2	9A09956900	C,POLY,ST-0.047UF-J/100V	1	C711
1389	.2	9A09957500	CE,470UF-M/25V,10*12.5	1	C717
1390	.2	9A09957900	COIL,10UH-Q40/24M-R2.5	1	L710
1391	.2	9A09957900	COIL,10UH-Q40/24M-R2.5	1	L711
1392	.2	9A09957900	COIL,10UH-Q40/24M-R2.5	1	L712
1393	.2	9A09960100	SOCKET,AC OUTLET YKE31	1	
1394	.2	9A09961500	HOLDER,FUSE CLIP,PI5.2-RL	1	F711A
1395	.2	9A09961500	HOLDER,FUSE CLIP,PI5.2-RL	1	F711B
1396	.2	9A09961500	HOLDER,FUSE CLIP,PI5.2-RL	1	F712A
1397	.2	9A09961500	HOLDER,FUSE CLIP,PI5.2-RL	1	F712B
1398	.2	9A09961600	RELAY,G5PA-1 12V 5A 1	1	RY710
1399	.2	9A09963500	IC,REG,MC7806CT TO220	1	IC710
1400	.2	9A09964100	TR,KSA916Y,0.9W/TO92L-RL	1	Q712
1401	.2	9A09966100	BRT,KRC107M,0.4W/TO92M-RL	1	Q711
1402	.2	9A09966200	DIODE,1SS133T-72-52MM	1	D717
1403	.2	9A09966200	DIODE,1SS133T-72-52MM	1	D714
1404	.2	9A09966200	DIODE,1SS133T-72-52MM	1	D715
1405	.2	9A09966200	DIODE,1SS133T-72-52MM	1	D716
1406	.2	9A09966300	DIODE,IN4007 52RL 1000V1A	1	D711
1407	.2	9A09966300	DIODE,IN4007 52RL 1000V1A	1	D710
1408	.2	9A09966300	DIODE,IN4007 52RL 1000V1A	1	D712
1409	.2	9A09966300	DIODE,IN4007 52RL 1000V1A	1	D713
1410	.2	9A09966600	D,ZENER,MTZJ4.3B-0.5W/5MA	1	ZD715
1411	.2	9A09966900	D,ZENER,MTZJ7.5B-0.5W/5MA	1	ZD711
1412	.2	9A09967100	D,ZENER,MTZJ15B-0.5W/5MA	1	ZD713
1413	.2	9A09967100	D,ZENER,MTZJ15B-0.5W/5MA	1	ZD712
1414	.2	9A09970000	CN,WAFER,GIL-S-8P-S2T2-EF	1	CP714
1415	.2	9A09970500	CN,WAFER,5267-04A 4P	1	CP710
1416	.2	9A09970900	CN,WAFER,35328-0210	1	CP711
1417	.2	9A09970900	CN,WAFER,35328-0210	1	CP713
1418	.2	9A09980400	CN.WAFER 7.92MM,YW396V	1	CP712
1419	.2	9A09971800	CE,100UF/50V(M) 8X11,P=5	1	C719
1420	.2	9A09972000	CE,1UF/50V(M) 5X11,P=5	1	C718



1421	.2	9A09973700	FUSE,T2.5A /250V-SVBRTC	1	F711
1422	.2	9A09973800	FUSE,T4A /250V-SVBRTC	1	F712
1423	1	9A09992800	WINDOW,ACRYLWINE/DISPLAY	1	3
1424	1	9A09996000	OM AG-5D E/F/S	1	
1425	1	9A09976900	BADGE,SILVER/GRAY AL(BOSE	1	4
1426	1	9A09996100	OM AG-5D D/I/N	1	
1427	1	9A09976800	INDICATOR,INDICATOR LED	1	5
1428	1	9A09985100	WARRANTY EUR-5700105906	1	
1429	1	9A09975300	BODY,ABS AF303 SILVER/	1	6
1430	1	9A09976600	BUTTON,ABS SILVER /9KEY	1	7
1431	1	9A09976500	BUTTON,ABS SILVER /POWER	1	9
1432	1	9A09975700	BRACKET,SECC 1.0T /POWER	1	10
1433	1	9A09959200	SW,PUSH,SDDL-005-S	1	11
1434	1	9A09959700	JACK,D6.5,HTJ064-11D(G)/	1	12
1435	1	9A09976700	INDICATOR,INDICATOR STAN	2	13
1436	1	9A09959400	SW,ENCODER,EC16B24304	1	14
1437	1	9A09967400	DISPLAY,FLT,HNA-12MM35	1	16
1438	1	9A09976000	HOLDER,D-M2(L)(DENON) ABS	1	17
1439	1	9A09994100	HEATSINKAL6063S-5T/POWER	1	18
1440	1	9A09975600	BRACKET,SECC 1.0T/H SINK	5	21
1441	1	9A09994600	P.C.B TOTAL ASSY,AMP,	1	22
1442	1	9A09980700	CHASSIS,SECC 1.2T/MAIN	1	23
1443	1	9A09975500	FOOT,(SILVER TOYO HL-2MU	4	24
1444	1	9A09975800	SPACER,KNOB SPACER	7	25
1445	1	9A09994800	HEAT SINK HEAT SINK REG	1	27
1446	1	9A09974300	HEAT SINK,REG TR(24X70)	1	28
1447	1	9A09994900	RCA,9PIN,ALL JK090122EN	1	29
1448	1	9A09960700	TER,6PIN,DAER.G/JK060046C	2	30
1449	1	9A09960600	TER,4PIN,DAER.G/JK040045Y	1	31
1450	1	9A09961300	TER,BOARD SCREW 8P,SH0810	1	32
1451	1	9A09995000	TER,SPK,2P,SH0210381P,	1	33
1452	1	9A09975900	SPACER,DONGA NYLON66 B50N	2	35
1453	1	9A09975000	SHIELD-PLATE GND	1	36
1454	1	9A09958400	MODULE,GP1FA502RZ/OPTICAL	1	37
1455	1	9A09960400	TER,RCA 2PIN,JC020009LN	1	38
1456	1	9A09995100	TUNER,FM/AM,	1	39
1457	1	9A09959900	JACK,DIN,S-VIDEO JACK 2P,	2	41
1458	1	9A09995200	CHASSIS,SECC 0.8T/BACK,	1	42
1459	1	9A09960100	SOCKET,AC OUTLET YKE31	1	44
1460	1	9A09960000	SOCKET,POWER AC, AC INLET	1	45
1461	1	9A09974800	CABINET,VCM 0.95T SILVER	1	46
1462	1	9A09969200	CORD,AC,HO5VV-F1.0MMSQ 2G	1	47
1463	1	9A09974700	BUSHING,NYLON/TERMINAL	10	48
1464	1	9A09995400	POWER TRANS(RD7103)EUR	1	49
1465	1	9A09944000	SCREW,TAP TITE,+2S 3*10 B	27	S-1
1466	1	9A09943900	SCREW,TAP TITE,+2S 3*8 B	29	S-2
1467	1	9A09944100	SCREW,TAP TITE,SCREW 3X18	7	S-3
1468	1	9A09944200	SCREW,TAP TITE ASSY,+3S	4	S-4
1469	1	9A09974200	SCREW,+2S 3*16 P(Φ6)+S	12	S-5
1470	1	9A09974100	SCREW,+2S 4*10B-TYPE(DOP)	4	S-6







ETRON	N211247038110
ETRON	N211247038110
ETRON	N211247978110
ETRON	N612403081330
ETRON	5707211270000
ETRON	70280601960E0
ETRON	4330000120000
ETRON	5707211270010
ETRON	70280601970E0
ETRON	C200010260200
ETRON	C200033160200
ETRON	C200033160200
ETRON	C200047360200
ETRON	C200047360200
ETRON	C200047360200
ETRON	D010471167200
ETRON	D010471167200
ETRON	D011152777200
ETRON	D011152777200
ETRON	J5200107S0050
ETRON	J522107S00210
ETRON	J5441170Y0050
ETRON	J5441170Y0050
ETRON	K000013300520
ETRON	K000013300520
ETRON	K000013300520
ETRON	L101100030610
ETRON	L101352370310
ETRON	N211210978110
ETRON	6017210110010
ETRON	7025HK0213020
ETRON	2120043538030
ETRON	2120044298010
ETRON	3790040876010
ETRON	3790040876010
ETRON	3790040876010
ETRON	3790040876010
ETRON	B020030081B10
ETRON	C00001026P520
ETRON	C00001026P520
ETRON	C00001026P520
ETRON	C00001026P520
ETRON	C00001026P520
ETRON	C00001026P520
ETRON	C00001026P520
ETRON	C00001026P520
ETRON	C00001026P520
ETRON	C00001026P520
ETRON	C00001026P520
ETRON	C00001026P520
ETRON	C00001026P520
ETRON	C00001026P520
ETRON	C00001026P520
ETRON	C00001026P520
ETRON	C00001026P520
ETRON	C00001536P520
ETRON	C00001536P520
ETRON	C00002226P520
ETRON	C00002736P520
ETRON	C00002736P520

ETRON	C00004706P520
ETRON	C00004706P520
ETRON	C00004706P520
ETRON	C00004706P520
ETRON	C00004706P520
ETRON	C00004706P520
ETRON	C00004726P520
ETRON	C00004726P520
ETRON	C00004736P520
ETRON	C00005136P520
ETRON	C00005136P520
ETRON	C00005136P520
ETRON	C00005606P520
ETRON	C00006816P520
ETRON	C00007516P520
ETRON	C060010065050
ETRON	C060010065050
ETRON	C060010065050
ETRON	C060010065050
ETRON	C060010065050
ETRON	C060010065520
ETRON	C060010065520
ETRON	C060010065520
ETRON	C060010265520
ETRON	C060022165050
ETRON	C060027163050
ETRON	C060039165520
ETRON	C060039165520
ETRON	C060047265520
ETRON	C060R22065050
ETRON	C060R22065050
ETRON	C060R22065050
ETRON	C060R22065050
ETRON	C144R10069120
ETRON	C144R10069120
ETRON	C200000060200
ETRON	C200000060200
ETRON	C200000060200
ETRON	C200000060200
ETRON	C200000060200
ETRON	C200000060200
ETRON	C200000060200
ETRON	C200000060200
ETRON	C200000060200
ETRON	C200000060200
ETRON	C200000061300
ETRON	C200000061300
ETRON	C200000061300
ETRON	C200000061300
ETRON	C200000061300
ETRON	C200000061300
ETRON	C200000061300
ETRON	C200000061300
ETRON	C200000061300
ETRON	C200000061300
ETRON	C200000061300
ETRON	C200000061300
ETRON	C200010160200
ETRON	C200010160200



ETRON	C200027260200
ETRON	C200027260200
ETRON	C200027260200
ETRON	C200027260200
ETRON	C200027360200
ETRON	C200027360200
ETRON	C200033160200
ETRON	C200033260200
ETRON	C200033260200
ETRON	C200033360200
ETRON	C200036260200
ETRON	C200039160200
ETRON	C200039160200
ETRON	C200039360200
ETRON	C200039360200
ETRON	C200039360200
ETRON	C200039360200
ETRON	C200039360200
ETRON	C200039360200
ETRON	C200039360200
ETRON	C200039360200
ETRON	C200047160200
ETRON	C200047160200
ETRON	C200047160200
ETRON	C200047160200
ETRON	C200047160200
ETRON	C200047160200
ETRON	C200047260200
ETRON	C200047260200
ETRON	C200047260200
ETRON	C200047360200
ETRON	C200047360200
ETRON	C200047360200
ETRON	C200047360200
ETRON	C200047360200
ETRON	C200047360200
ETRON	C200047360200
ETRON	C200047360200
ETRON	C200056160200
ETRON	C200056160200
ETRON	C200056460200
ETRON	C200056460200
ETRON	C200062260200
ETRON	C200068160200
ETRON	C200075060200
ETRON	C200075060200
ETRON	C200075060200
ETRON	C200075060200
ETRON	C200075060200
ETRON	C200082260200
ETRON	C200082260200
ETRON	D005101177520
ETRON	D005102177530
ETRON	D005103773530
ETRON	D005103773530
ETRON	D005103773530
ETRON	D005103773530
ETRON	D005103773530
ETRON	D005104597530
ETRON	D005223594520
ETRON	D005561277520
ETRON	D005561277520





ETRON	D010101167200
ETRON	D010101167200
ETRON	D010101167200
ETRON	D010101167200
ETRON	D010101167200
ETRON	D010101167200
ETRON	D010101167200
ETRON	D010101167200
ETRON	D010101167200
ETRON	D010101167200
ETRON	D010101167200
ETRON	D010101167200
ETRON	D010101167200
ETRON	D010101167200
ETRON	D010471167200
ETRON	D010821167200
ETRON	D011102777200
ETRON	D011102777200
ETRON	D011102777200
ETRON	D011102777200
ETRON	D011102777200
ETRON	D011102777200
ETRON	D011102777200
ETRON	D011102777200
ETRON	D011102777200
ETRON	D011102777200
ETRON	D011103777200
ETRON	D011103777200
ETRON	D011103777200
ETRON	D011103777200
ETRON	D011103777200
ETRON	D011103777200
ETRON	D011103777200
ETRON	D011104597200
ETRON	D011104597200
ETRON	D011104597200
ETRON	D011104597200
ETRON	D011104597200
ETRON	D011104597200
ETRON	D011104597200
ETRON	D011104597200
ETRON	D011104597200
ETRON	D011152777200
ETRON	D011153777200
ETRON	D011153777200
ETRON	D011222777200
ETRON	D011222777200
ETRON	D011222777200
ETRON	D011222777200
ETRON	D011222777200
ETRON	D011222777200
ETRON	D011222777200
ETRON	D011223777200
ETRON	D011223777200
ETRON	D011822777200
ETRON	D011822777200
ETRON	D02010406C060
ETRON	D02010406C060
ETRON	D02010406C060
ETRON	D02010406C060
ETRON	D02010406C060
ETRON	D02047206C060
ETRON	D02047206C060
ETRON	D02047206C060
ETRON	D02047206C060

ETRON	D02047206C060
ETRON	D02047206C060
ETRON	D02047206C060
ETRON	D02047206C060
ETRON	D02047206C060
ETRON	D02047206C060
ETRON	D02047206C060
ETRON	D02047306C060
ETRON	D02047306C060
ETRON	D02047306C060
ETRON	D02047306C060
ETRON	D02047306C060
ETRON	D02047306C060
ETRON	D02047306C060
ETRON	D02047306C060
ETRON	D02047306C060
ETRON	D02047306C060
ETRON	D02047306C060
ETRON	D02047306C060
ETRON	D0400R1087050
ETRON	D04022208521C
ETRON	D04022208521C
ETRON	D040472084210
ETRON	D040681088030
ETRON	D040681088030
ETRON	D330900001320
ETRON	D330900001320
ETRON	G602040045030
ETRON	G603060046020
ETRON	G603060046020
ETRON	G607908A0200Y
ETRON	G611201A0200Y
ETRON	G614801A0600Y
ETRON	G680240502020
ETRON	J040731200010
ETRON	J080927300000
ETRON	J084624460020
ETRON	J121455800140
ETRON	J121455800140
ETRON	J121455800140
ETRON	J121455800140
ETRON	J126780500380
ETRON	J126781500070
ETRON	J126791500030
ETRON	J171795200000
ETRON	J5000992F0050
ETRON	J5001266Y0050
ETRON	J5001266Y0050
ETRON	J5001268B0050
ETRON	J5021740S0010
ETRON	J5021740S0010
ETRON	J5021740S0010
ETRON	J5021740S0010
ETRON	J5021740S0010
ETRON	J5021740S0010
ETRON	J5023200B0050
ETRON	J5200107S0050
ETRON	J5200107S0050
ETRON	J5200107S0050

ETRON	J5200107S0050
ETRON	J5220231M0010
ETRON	J5220231M0010
ETRON	J5220231M0010
ETRON	J5220231M0010
ETRON	J5220231M0010
ETRON	J5220231M0010
ETRON	J522107S00210
ETRON	J522107S00210
ETRON	J522107S00210
ETRON	J522107S00210
ETRON	J522107S00210
ETRON	J522107S00210
ETRON	J522107S00210
ETRON	J5222875B0010
ETRON	J5223880O0210
ETRON	J5223880O0210
ETRON	J5441170Y0050
ETRON	J6020107M0010
ETRON	K000013300520
ETRON	K000013300520
ETRON	K000013300520
ETRON	K000013300520
ETRON	K000013300520
ETRON	K000013300520
ETRON	K000013300520
ETRON	K000013300520
ETRON	K000013300520
ETRON	K000013300520
ETRON	K000013300520
ETRON	K000013300520
ETRON	K000400700520
ETRON	K000400700520
ETRON	K000400700520
ETRON	K000400700520
ETRON	K000400700520
ETRON	K000400700520
ETRON	K000400700520
ETRON	K000400700520
ETRON	K000400700520
ETRON	K000400700520
ETRON	K000400700520
ETRON	K005041480010
ETRON	K005041480010
ETRON	K005041480010
ETRON	K005041480010
ETRON	K005041480010
ETRON	K005041480010
ETRON	K005041480010
ETRON	K005041480010
ETRON	K005041480010
ETRON	K005041480010
ETRON	K005041480010
ETRON	K005041480010
ETRON	K005041480010
ETRON	K005041480010
ETRON	K005041480010
ETRON	K005041480010
ETRON	K047604000020
ETRON	K047604000020
ETRON	K06005R144520
ETRON	K06006R844520
ETRON	K06006R844520
ETRON	K06012R044520
ETRON	L000101040070
ETRON	L000101040070
ETRON	L000111100010
ETRON	L000121140020
ETRON	L000181010020
ETRON	L101100040610
ETRON	L101220050000
ETRON	L101353360310

ETRON	L101353361310
ETRON	L102526700400
ETRON	L102526700600
ETRON	L102526700900
ETRON	L102526701000
ETRON	L104353280300
ETRON	L131112500010
ETRON	N211210078110
ETRON	N211210078110
ETRON	N211210078110
ETRON	N211210078110
ETRON	N211210078110
ETRON	N211210078110
ETRON	N211210138110
ETRON	N211210138110
ETRON	N211210138110
ETRON	N211210138110
ETRON	N211210158110
ETRON	N211210158110
ETRON	N211222978110
ETRON	N211233128110
ETRON	N211233878110
ETRON	N211233878110
ETRON	N211233978110
ETRON	N211233978110
ETRON	N211247048110
ETRON	N211247048110
ETRON	N211247048110
ETRON	N211247048110
ETRON	N211247138110
ETRON	N211247138110
ETRON	N211247138110
ETRON	N211247138110
ETRON	N211247978110
ETRON	N211247978110
ETRON	N211247978110
ETRON	N211247978110
ETRON	N211247978110
ETRON	N211247978110
ETRON	N211247978110
ETRON	N211247978110
ETRON	N211247978110
ETRON	N211247978110
ETRON	N211247978110
ETRON	N211247978110
ETRON	N211247978110
ETRON	N211247978110
ETRON	N211247978110
ETRON	N211247978110
ETRON	N211247978110
ETRON	N211247978110
ETRON	N211247978110
ETRON	N211247978110
ETRON	N211247978110
ETRON	N211247978110
ETRON	N211247978110
ETRON	N606130611110
ETRON	6230043714010
ETRON	7028062232010



ETRON	C20001036M16C
ETRON	C20001036M16C
ETRON	C20001036M16C
ETRON	C20001036M16C
ETRON	C20001036M16C
ETRON	C20001036M16C
ETRON	C20001046M16C
ETRON	C20001046M16C
ETRON	C20001046M16C
ETRON	C20001046M16C
ETRON	C20001046M16C
ETRON	C20001046M16C
ETRON	C20001046M16C
ETRON	C20001046M16C
ETRON	C20001046M16C
ETRON	C20001046M16C
ETRON	C20001046M16C
ETRON	C20001046M16C
ETRON	C20001046M16C
ETRON	C20001046M16C
ETRON	C20001046M16C
ETRON	C20001046M16C
ETRON	C20001056M16C
ETRON	C20001226M16C
ETRON	C20001226M16C
ETRON	C20001536M16C
ETRON	C20001536M16C
ETRON	C20001546M16C
ETRON	C20001546M16C
ETRON	C20001826M16C
ETRON	C20001836M16C
ETRON	C20002226M16C
ETRON	C20002226M16C
ETRON	C20002226M16C
ETRON	C20002226M16C
ETRON	C20002226M16C
ETRON	C20002226M16C
ETRON	C20002226M16C
ETRON	C20002426M16C
ETRON	C20002426M16C
ETRON	C20003306M16C
ETRON	C20003306M16C
ETRON	C20003306M16C
ETRON	C20003306M16C
ETRON	C20003316M16C
ETRON	C20003316M16C
ETRON	C20003316M16C
ETRON	C20003316M16C
ETRON	C20003316M16C
ETRON	C20003316M16C
ETRON	C20003316M16C
ETRON	C20003316M16C
ETRON	C20003326M16C
ETRON	C20003326M16C
ETRON	C20003326M16C
ETRON	C20003326M16C
ETRON	C20003326M16C
ETRON	C20003326M16C
ETRON	C20003326M16C
ETRON	C20003326M16C
ETRON	C20003926M16C
ETRON	C20003926M16C
ETRON	C20003926M16C
ETRON	C20003926M16C









ETRON	N211210078110
ETRON	N211210078110
ETRON	N211210078110
ETRON	N211210078110
ETRON	N211210078110
ETRON	N211210078110
ETRON	N211210078110
ETRON	N211210078110
ETRON	N211210078110
ETRON	N211210078110
ETRON	N211210078110
ETRON	N211210078110
ETRON	N211210078110
ETRON	N211210138110
ETRON	N211210138110
ETRON	N211210138110
ETRON	N211210138110
ETRON	N211210148110
ETRON	N211210148110
ETRON	N211210878110
ETRON	N211210878110
ETRON	N211210878110
ETRON	N211210978110
ETRON	N211210978110
ETRON	N211210978110
ETRON	N211210978110
ETRON	N211210978110
ETRON	N211210978110
ETRON	N211222118110
ETRON	N211222978110
ETRON	N211222978110
ETRON	N211247028110
ETRON	N211247048110
ETRON	8300422000010
ETRON	E601010000000
ETRON	7025HK0213025
ETRON	C00001026P520
ETRON	C00001026P520
ETRON	C00001026P520
ETRON	C00001026P520
ETRON	C00001026P520
ETRON	C00001036P520
ETRON	C00001036P520
ETRON	C00001036P520
ETRON	C00001036P520
ETRON	C00001036P520
ETRON	C00001036P520
ETRON	C00001036P520
ETRON	C00001036P520
ETRON	C00001036P520
ETRON	C00001036P520
ETRON	C00001036P520
ETRON	C00001036P520
ETRON	C00001036P520
ETRON	C00001036P520
ETRON	C00001036P520
ETRON	C00001036P520
ETRON	C00001226P520
ETRON	C00001226P520









ETRON	J5021845F0000
ETRON	J5021845F0000
ETRON	J5021845F0000
ETRON	J5021845F0000
ETRON	J5021845F0000
ETRON	J5021845F0000
ETRON	J5021845F0000
ETRON	J5021845F0000
ETRON	J5023206Y0050
ETRON	J5023206Y0050
ETRON	J5023206Y0050
ETRON	J5023206Y0050
ETRON	J5023206Y0050
ETRON	J5023206Y0050
ETRON	K000013300520
ETRON	K000013300520
ETRON	K000013300520
ETRON	K000013300520
ETRON	K000013300520
ETRON	K000013300520
ETRON	K000013300520
ETRON	K000013300520
ETRON	K000013300520
ETRON	K000013300520
ETRON	K000013300520
ETRON	K000013300520
ETRON	K000013300520
ETRON	K000013300520
ETRON	K000013300520
ETRON	K000013300520
ETRON	K000013300520
ETRON	K000013300520
ETRON	K000013300520
ETRON	K000013300520
ETRON	K000013300520
ETRON	L000800090010
ETRON	L000800100010
ETRON	L101220100000
ETRON	N211210078110
ETRON	N211210078110
ETRON	N211210078110
ETRON	N211210078110
ETRON	N211210078110
ETRON	N211210078110
ETRON	N211222078110
ETRON	N211222078110
ETRON	N211222078110
ETRON	N211222078110
ETRON	N211222078110
ETRON	N211222078110
ETRON	N211222078110
ETRON	N211222078110
ETRON	N211222078110
ETRON	N211222128110
ETRON	N211222128110
ETRON	N211222128110
ETRON	N211222128110
ETRON	N211222128110
ETRON	N211222128110
ETRON	N211222128110
ETRON	N211247078110
ETRON	N211247078110
ETRON	N211247078110
ETRON	N211247078110
ETRON	N211247078110
ETRON	N211247078110
ETRON	N211247078110
ETRON	N211247978110
ETRON	N211247978110
ETRON	N211247978110
ETRON	N211247978110



ETRON	N211247978110
ETRON	7025HK0214024
ETRON	C00001036P520
ETRON	C00001036P520
ETRON	C00001036P520
ETRON	C00001036P520
ETRON	C00001036P520
ETRON	C00003326P520
ETRON	C00003326P520
ETRON	C00003916P520
ETRON	C00003916P520
ETRON	C00003916P520
ETRON	C00003916P520
ETRON	C00003916P520
ETRON	C00006806P520
ETRON	C00006806P520
ETRON	C00006806P520
ETRON	C00006806P520
ETRON	C00007506P520
ETRON	C00007506P520
ETRON	C00007506P520
ETRON	C00007506P520
ETRON	C060033065520
ETRON	D005473597520
ETRON	D005473597520
ETRON	G403040020010
ETRON	G403040020010
ETRON	J171795200000
ETRON	J171795200000
ETRON	J5023198Y0000
ETRON	J5023198Y0000
ETRON	J5023198Y0000
ETRON	J5023198Y0000
ETRON	J6020107M0010
ETRON	J6020107M0010
ETRON	J6020107M0010
ETRON	J6020107M0010
ETRON	K000013300520
ETRON	K000013300520
ETRON	K06012R044520
ETRON	L101220040010
ETRON	N211210078110
ETRON	N211210078110
ETRON	N211210078110
ETRON	N211210078110
ETRON	N211210138110
ETRON	N211210138110
ETRON	N211247118110
ETRON	N211247118110
ETRON	N211247118110
ETRON	N211247118110
ETRON	E605010010000
ETRON	G670001R50150
ETRON	7028062242010
ETRON	G000122006030
ETRON	L000351020090
ETRON	L109284007300
ETRON	7028062243010
ETRON	D005104597530

ETRON	G402038400031
ETRON	N621604361330
ETRON	5088210788000
ETRON	7028062244010
ETRON	G180000270010
ETRON	7027062264M10
ETRON	L101220020010
ETRON	7027062264R10
ETRON	7028062264010
ETRON	G180000270010
ETRON	L101220020010
ETRON	3067211198020
ETRON	7028062245020
ETRON	3790040876010
ETRON	8201280000011
ETRON	C00001036P520
ETRON	C00001536P520
ETRON	C00001826P520
ETRON	C00004716P520
ETRON	C060047063050
ETRON	D006104597050
ETRON	D00847208K070
ETRON	D02047306C060
ETRON	D02047306C060
ETRON	D02047306C060
ETRON	D040471084130
ETRON	D330100700520
ETRON	D330100700520
ETRON	D330100700520
ETRON	G435040110000
ETRON	G645000050010
ETRON	G645000050010
ETRON	G645000050010
ETRON	G645000050010
ETRON	G680120502010
ETRON	J126780600160
ETRON	J5000916Y0050
ETRON	J6020107M0010
ETRON	K000013300520
ETRON	K000013300520
ETRON	K000013300520
ETRON	K000013300520
ETRON	K000400700520
ETRON	K000400700520
ETRON	K000400700520
ETRON	K000400700520
ETRON	K000400700520
ETRON	K06004R344520
ETRON	K06007R544520
ETRON	K06015R044520
ETRON	K06015R044520
ETRON	L101220080000
ETRON	L102526700400
ETRON	L104353280200
ETRON	L104353280200
ETRON	L108039602010
ETRON	N211210178110
ETRON	N211210978110

ETRON	N751222501110
ETRON	N751224001110
ETRON	5077210973000
ETRON	5707211270000
ETRON	5630210328000
ETRON	5707211270010
ETRON	5160210093000
ETRON	5777200140020
ETRON	3417210091000
ETRON	5097211981010
ETRON	5097211971000
ETRON	4010210876000
ETRON	G000122006030
ETRON	G402040161330
ETRON	5160040643010
ETRON	G121162430400
ETRON	K530123500010
ETRON	4320210091010
ETRON	2120210168000
ETRON	4010056906010
ETRON	7025HK0213025
ETRON	3200211166000
ETRON	4007040241040
ETRON	4300040561010
ETRON	2120044298010
ETRON	2120043538030
ETRON	G607901220070
ETRON	G603060046020
ETRON	G602040045030
ETRON	G61408103600A
ETRON	G611021078110
ETRON	4300210023000
ETRON	3070045526010
ETRON	E100150200020
ETRON	G601200099040
ETRON	E900901410021
ETRON	G403040020010
ETRON	3207211176020
ETRON	G435040110000
ETRON	G430040550010
ETRON	3007210356000
ETRON	L061000000060
ETRON	2410040353010
ETRON	8200960610010
ETRON	B020030103B11
ETRON	B020030081B10
ETRON	B020030181B10
ETRON	B028940101B10
ETRON	1507041146010
ETRON	1500040084B10