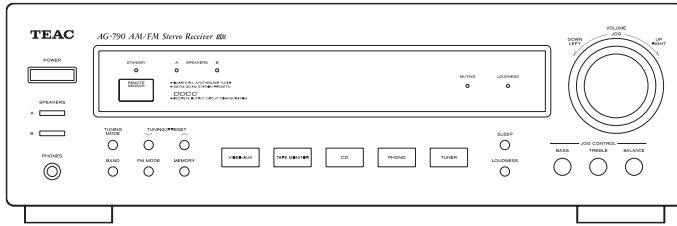


TEAC



SERVICE MANUAL

AG-790A

AM/FM STEREO Receiver

**AG-790A Versions
T/C, EUR, UK, 230E, HKG**

CONTENTS

1	SPECIFICATIONS	2
2	IC SPECIFICATIONS	3
3	EXPLODED VIEWS AND PARTS LIST	9
4	PC BOARDS AND PARTS LIST	13
5	REMOTE CONTROL LAYOUT	20
6	INCLUDED ACCESSORIES	21

NOTES

- PC boards shown are viewed from parts side.
- The parts with no reference number or no parts number in the exploded views are not supplied.
- As regards the resistors and capacitors, refer to the circuit diagrams contained in this manual.
- ⚠ Parts marked with this sign are safety critical components. They must be replaced with identical components - refer to the appropriate parts list and ensure exact replacement.

**Preliminary
暫定版**

1 SPECIFICATIONS

Amplifier Section

Output Power	100 + 100 watts RMS (0.9 % THD, 1 kHz, 8 ohms)
Total Harmonic Distortion	0.05 % (at 80 watts, 1 kHz)
Input Sensitivity/Impedance	PHONO: 6.5 mV/22 kohms, LINE: 230 mV/22 kohms
Frequency Response	PHONO: 20 Hz to 20 kHz, ± 3 dB, LINE: 20 Hz to 35 kHz, -3 dB
Signal-to-Noise Ratio	PHONO: 75 dB (IHF-A), LINE: 90 dB (IHF-A)
Tone Control	BASS: ± 10 dB at 100 Hz, TREBLE: ± 10 dB at 10 kHz
Loudness Control (Volume at -40 dB Position)	+4 dB at 100 Hz

FM Tuner Section (Without notes 98.1 MHz, 65 dBf)

Tuning Range	87.5 MHz to 108.0 MHz (100 kHz steps) [T/C] 87.5 MHz to 108.0 MHz (50 kHz steps) [EUR, UK, 230E, HKG]
Usable Sensitivity	Mono: 10 dB μ V/m
50 dB Quieting Sensitivity	Mono: 15 dB μ V/m, Stereo: 33 dB μ V/m
Capture Ratio	2.8 dB
Image Rejection Ratio	35 dB
AM Suppression Ratio	50 dB
Harmonic Distortion (1 kHz)	Mono: 0.5 %, Stereo: 0.5 %
Frequency Response	20 Hz to 15 kHz, -3 dB
Stereo Separation (1 kHz)	35 dB
Signal-to-Noise Ratio	Mono: 70 dB, Stereo: 65 dB
RDS Function YRS [EUR, UK] NO [T/C, 230E, HKG]

AM Tuner Section

Tuning Range	530 kHz to 1,720 kHz (10 kHz steps) [T/C] 522 kHz to 1,620 kHz, 9 kHz steps [EUR, UK, 230E, HKG]
Usable Sensitivity	55 dB/m
Total Harmonic Distortion	1 % at 100 dB/m
Signal-to-Noise Ratio	40 dB at 100 dB/m

General

Power Requirements	120 V AC, 60 Hz [T/C] 230 V AC, 50 Hz [EUR, UK, 230E, HKG]
Power Consumption	180 W
AC Outlets	Unswitched x 2, Total 100 W max (1 A max)
Dimensions (W x H x D)	435 x 144 x 330 mm
Weight (net)	7.4 kg

Standard Accessories

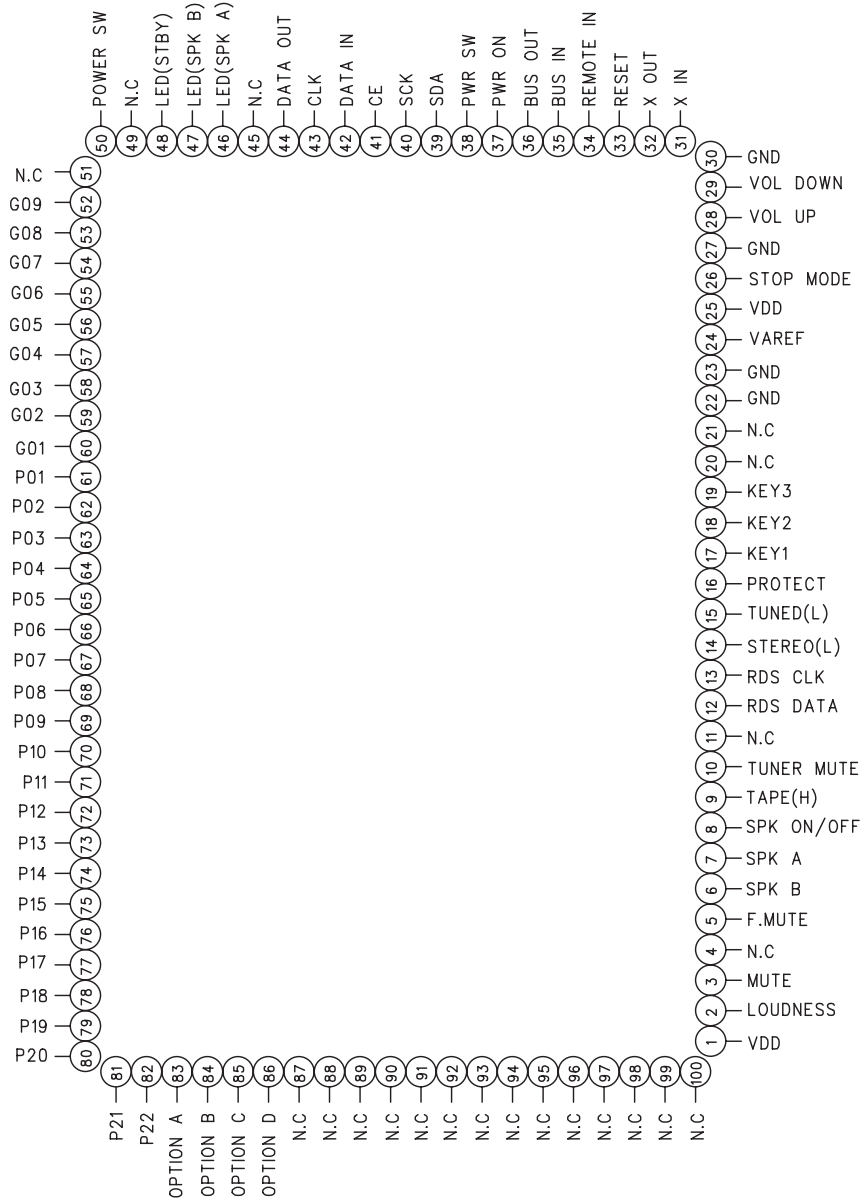
AM Loop Antenna x 1
FM Antenna x 1
Owner's manual x 1
Remote Control Unit x 1
Battery (AA, R6, UM-3) x 2

Design and specifications are subject to change without notice.
Illustrations may differ slightly from production models.

2 IC SPECIFICATIONS

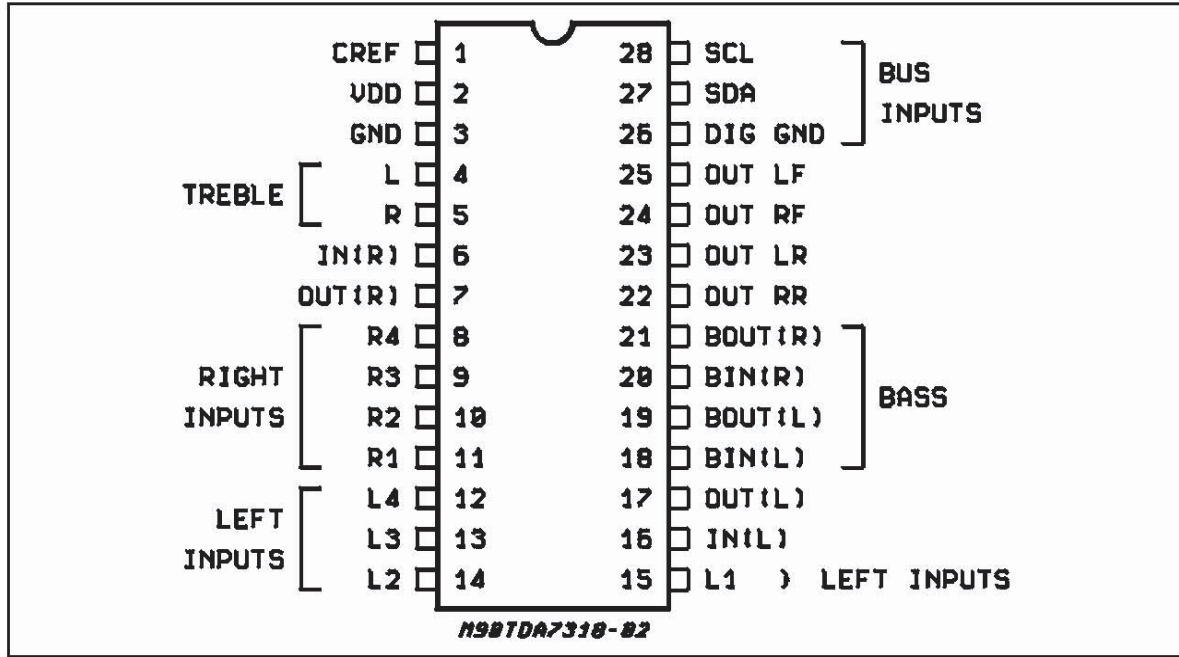
MICROCOMPUTER PIN CONNECTION

TMP87PM78F (IC91)

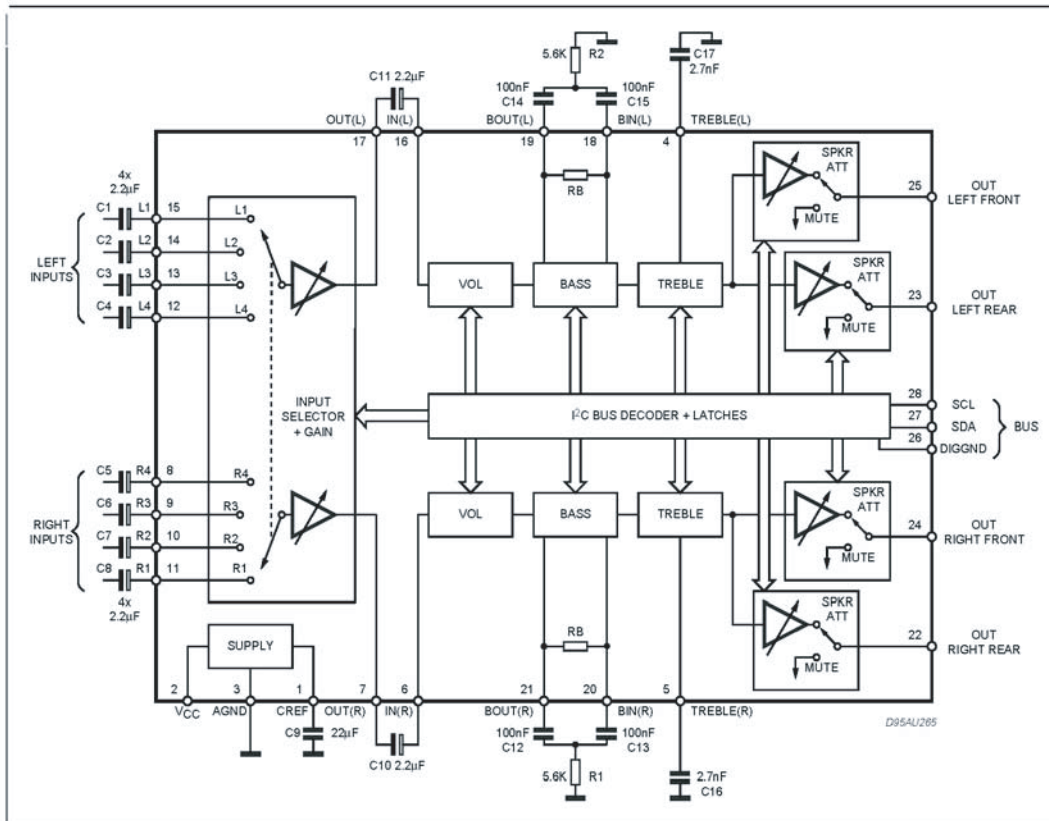


TDA7318D (IC23)

PIN CONNECTION (Top view)

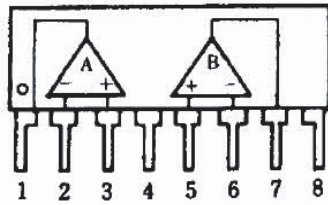


BLOCK DIAGRAM



NJM4556A (IC25)

■ PIN CONFIGURATION

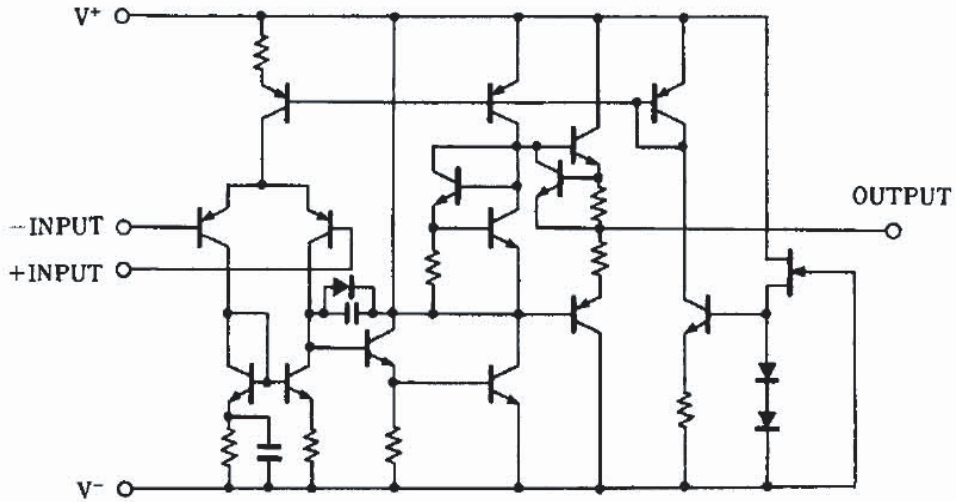


NJM4556AL

PIN FUNCTION

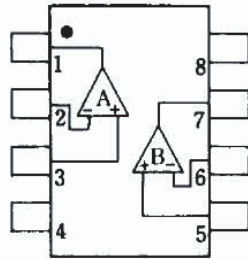
- 1.A OUTPUT
- 2.A -INPUT
- 3.A +INPUT
- 4.V⁻
- 5.B +INPUT
- 6.B -INPUT
- 7.B OUTPUT
- 8.V⁺

■ EQUIVALENT CIRCUIT



NJM2068 (IC21,IC22)

■ PIN CONFIGURATION

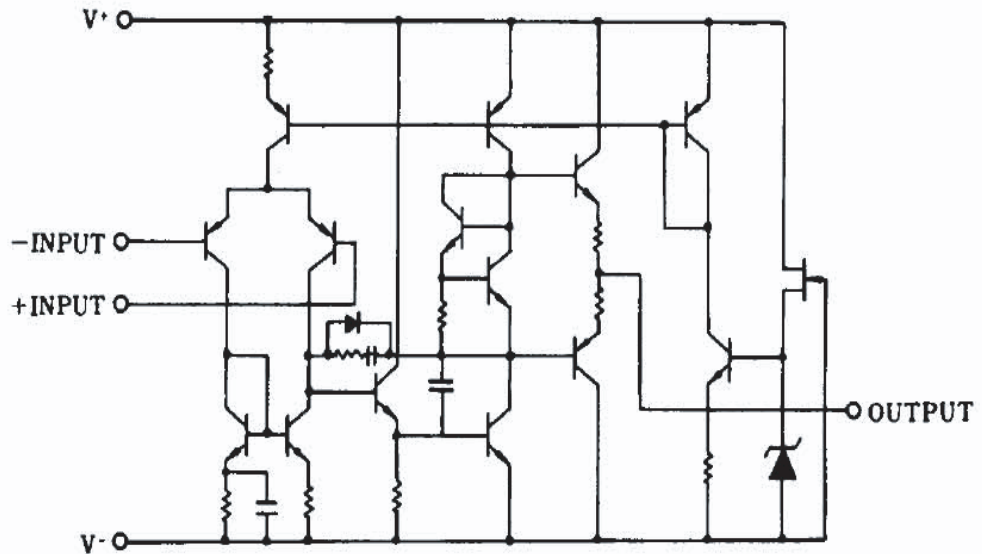


NJM2068D
 NJM2068M
 NJM2068V

PIN FUNCTION

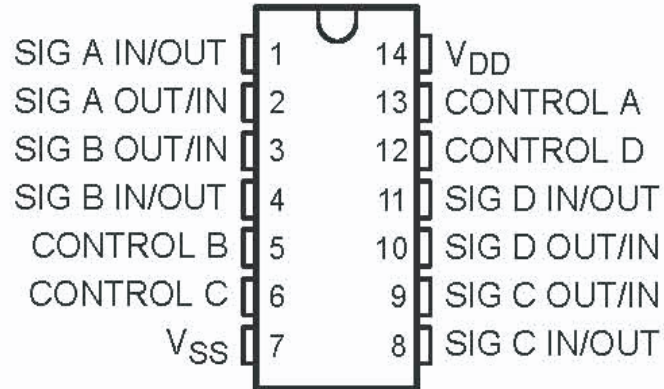
- 1.A OUTPUT
- 2.A -INPUT
- 3.A +INPUT
- 4.V⁻
- 5.B +INPUT
- 6.B -INPUT
- 7.B OUTPUT
- 8.V⁺

■ EQUIVALENT CIRCUIT

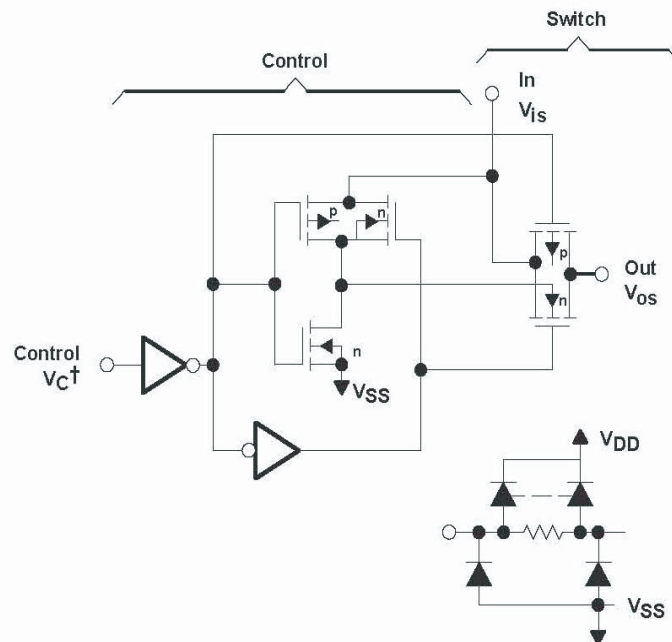


CD4066B (IC24)

E, F, M, NS, OR PW PACKAGE
(TOP VIEW)



Schematic Diagram



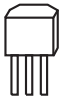

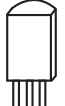



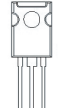
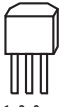
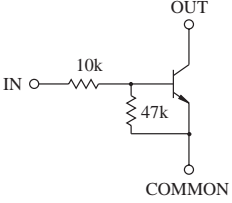
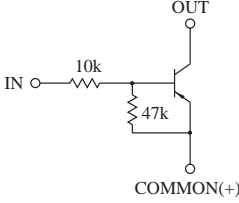
† All control inputs are protected by the CMOS protection network.

NOTES: A. All p substrates are connected to V_{DD} .

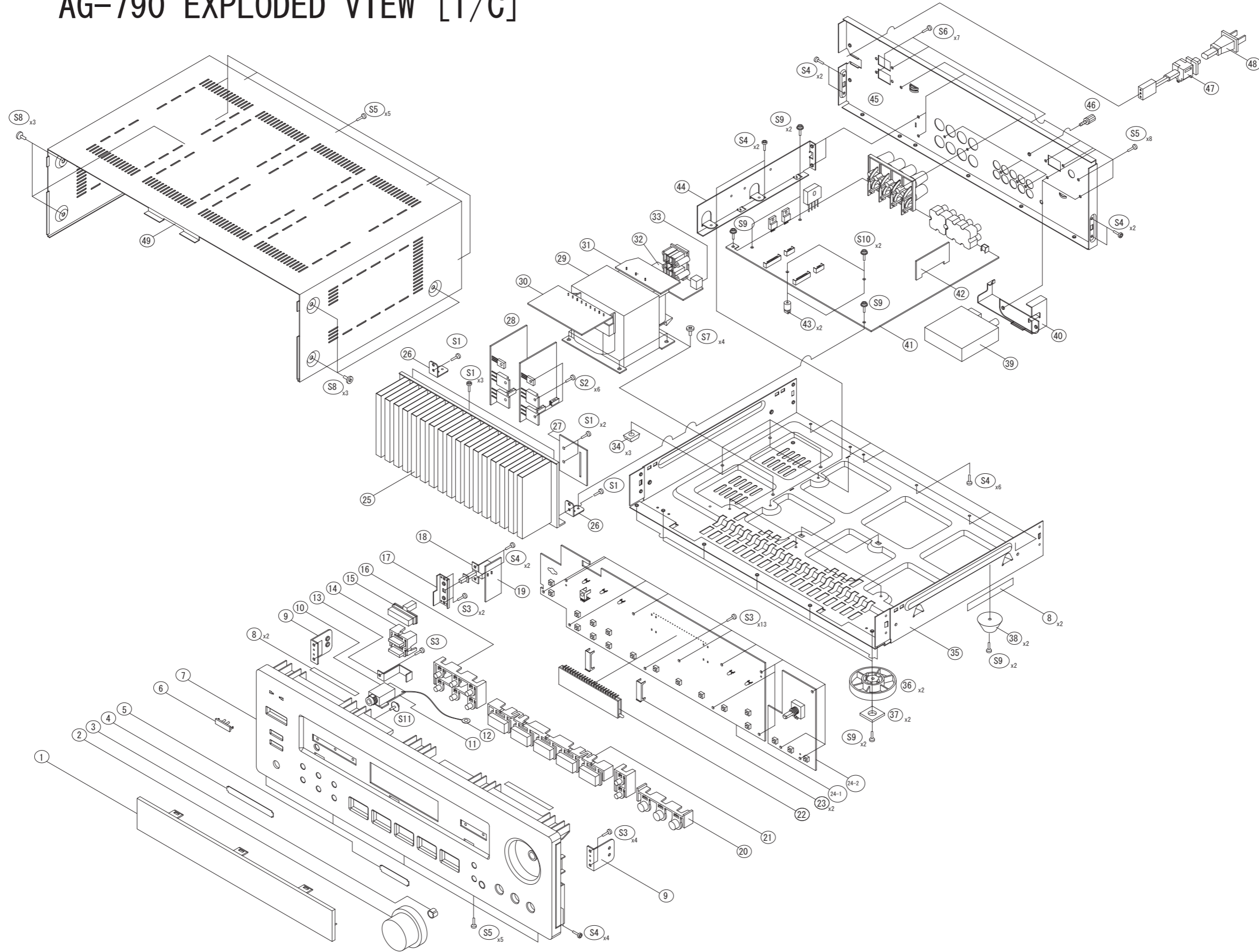
B. Normal operation control-line biasing: switch on (logic 1), $V_C = V_{DD}$; switch off (logic 0), $V_C = V_{SS}$

C. Signal-level range: $V_{SS} \leq V_{Is} \leq V_{DD}$

■ TRANSISTOR, REGULATOR IC BLOCK DIAGRAM

<p>T0-92S</p>  <p>1. Emitter 2. Collector 3. Base</p> <p>1 2 3</p> <p>KSA1175Y KSB811Y</p>	<p>T0-92</p>  <p>1. Emitter 2. Collector 3. Base</p> <p>1 2 3</p> <p>KSC945CY KTA2874B KTA1271Y</p>	<p>T0-92L</p>  <p>1. Emitter 2. Collector 3. Base</p> <p>1 2 3</p> <p>KSC2316Y</p>	<p>T0-3P</p>  <p>1. Base 2. Collector 3. Emitter</p> <p>1 2 3</p> <p>2SC4468-0 KM 2SA1695-0 KM</p>
<p>T0-126</p>  <p>1. Emitter 2. Collector 3. Base</p> <p>1 2 3</p> <p>2SC2911S 2SA1209S</p>	<p>T0-220IS</p>  <p>1. Base 2. Collector 3. Emitter</p> <p>1 2 3</p> <p>KTA1659AY KTA1046Y KTC4370AY KTC2026Y</p>	<p>2-8H1A</p>  <p>1. Emitter 2. Collector 3. Base</p> <p>1 2 3</p> <p>2SC3419Y</p>	
<p>T0-92M</p>  <p>1. Emitter 2. Collector 3. Base</p> <p>1 2 3</p> <div style="display: flex; justify-content: space-around;"> <div data-bbox="504 1251 735 1453">  <p style="text-align: center;">KRC107M</p> </div> <div data-bbox="799 1251 1038 1453">  <p style="text-align: center;">KRA107M</p> </div> </div>			

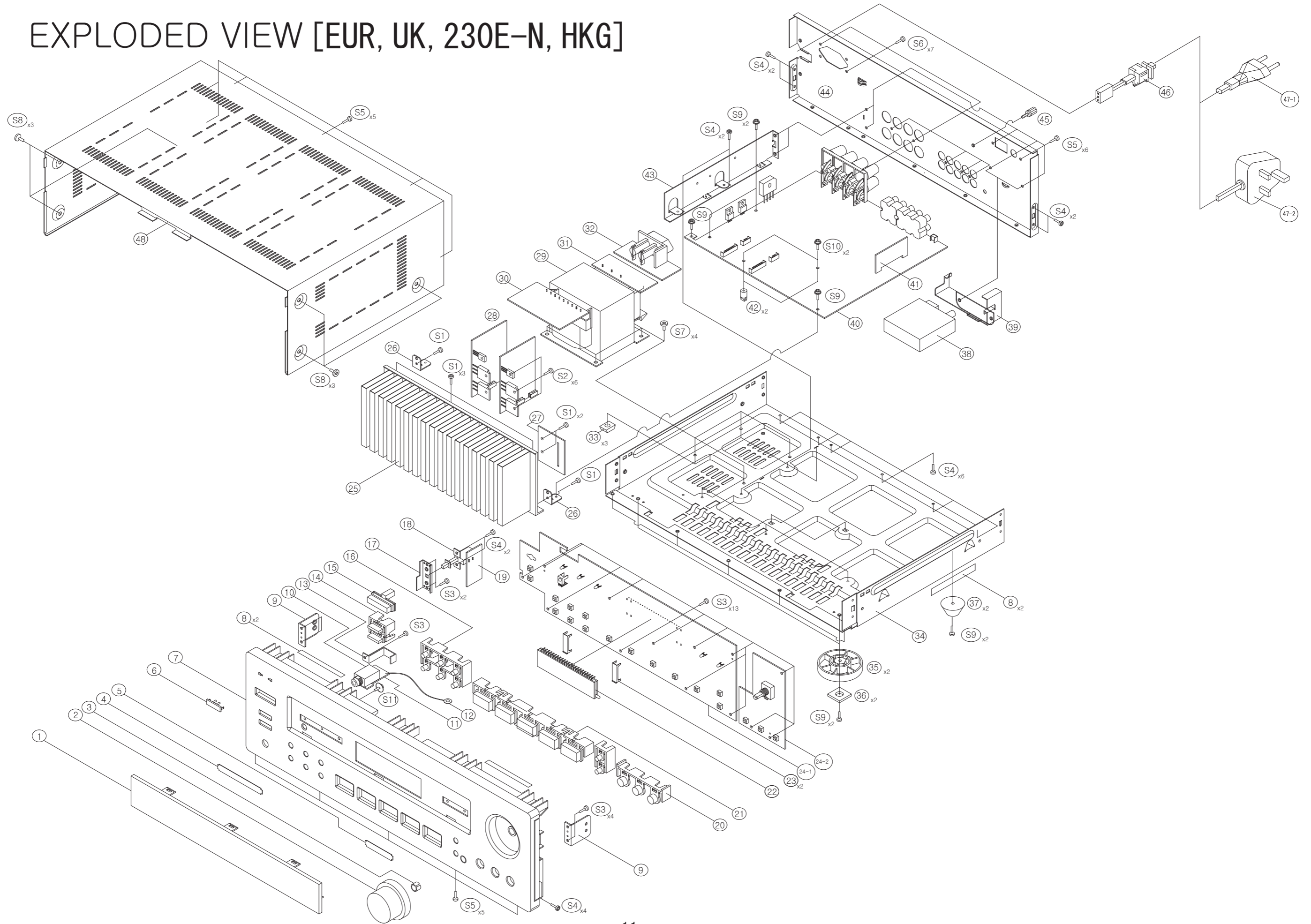
AG-790 EXPLODED VIEW [T/C]



EXPLODED VIEW LIST (AG-790A) [T/C]

REF. NO.	PARTS NO.	DESCRIPTION	REMARKS
1	CGU1A375Z	WINDOW	
2	CBN1A122	KNOB, VOLUME	
3	CMC1A140	RING, SHAFT	
4	CGX1A369Z	SHEET, LED	
5	CGX1A370Z	SHEET, LED	
6	CGB1A165H12	BADGE, TEAC	
7	CGW1A405R4ZH10	PANEL, FRONT	
8	KHS1A032	TAPE, HEMELON	
9	CMD1A563	BRACKET	
10	HJJ2E020Z	PHONE JACK	
11	CUP11805-7	PCB	
12	CWE7202100RV	WIRE ASS'Y	
13	CMK1A010	BRACKET	
14	CBT1A991	KNOB, SPEAKER	
15	CBC1A152	KNOB, POWER	
16	CBT1A992	KNOB, TUNING	
17	CMD1A334	BRACKET 1	
18	KSH1A001ZV	MOMS SWITCH	
19	CUP11805-8	PCB	
20	CBT1A994	KNOB, BASS	
21	CBT1A993Z	KNOB, FUNCTION	
22	HFLSVA09MS10	FIP	
23	CMD1A374	BRACKET, FIP	
24-1	CUP11805-1	PCB, FRONT	
24-2	CUP11805-2	PCB, FRONT	
25	CMY1A256	SINK, HEAT	
26	CMD1A417	BRACKET, PCB	
27	CUP11805-11	PCB	
28	CUP11805-3	PCB	
29	△ CLT5U012ZU	TRANS	
30	CUP11805-4	PCB	
31	CUP11805-6	PCB	
32	CUP11085-5	PCB, POWER	
33	CMD1A188	BRACKET	
34	CHG1A113	RUBBER	
35	CUA2A168	CHASSIS, BOTTOM	
36	CKL2A042H11	FOOT, FRONT	
37	KHG1A050Y	CUSHION, FOOT	
38	CKL1A012	FOOT, RUBBER	
39	TUNNER PACK	HNVTFCE1U116A	
40	CMD1A571	BRACKET, SUPPORT	
41	CUP11086-1	PCB, MAIN	
42	CUP11086-2	PCB	
43	CHE1A023	MOUNT, PCB	
44	CMD1A392	BRACKET, PCB	
45	CKF5A172Z	PANEL, REAR	
46	KMD2A001	TERMINAL, GROUND	
47	KHR1A028	BUSHING, AC CORD	
48	△ CJA523FBYA	CORD, POWER	
49	△ CKC1B098S1	CABINET, TOP	
S1	CTB3+8J	SCREW	
S2	CTB3+10J	SCREW	
S3	CTB3+10G	SCREW	
S4	CTB3+6J	SCREW	
S5	CTB3+8JFZ	SCREW	
S6	CTB3+10GFZ	SCREW	
S7	CTB4+8F	SCREW	
S8	CTB4+6FFZ	SCREW	
S9	CTW3+8J	SCREW	
S10	CTW3+16G	SCREW	
S11	CTWS3+8G	SCREW	

EXPLODED VIEW [EUR, UK, 230E-N, HKG]

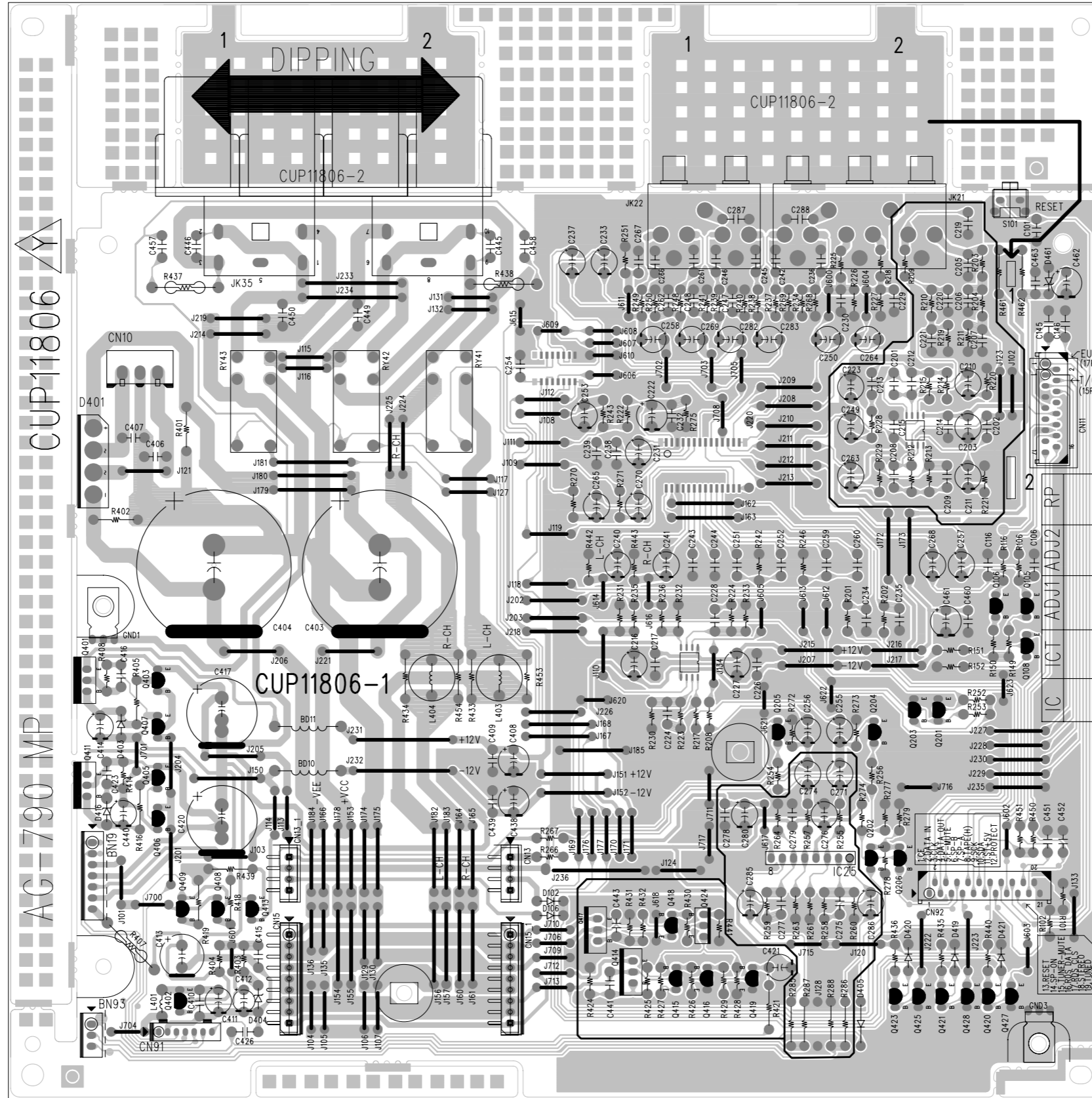


EXPLODED VIEW LIST (AG-790A) [EUR, UK, 230E-N, HKG]

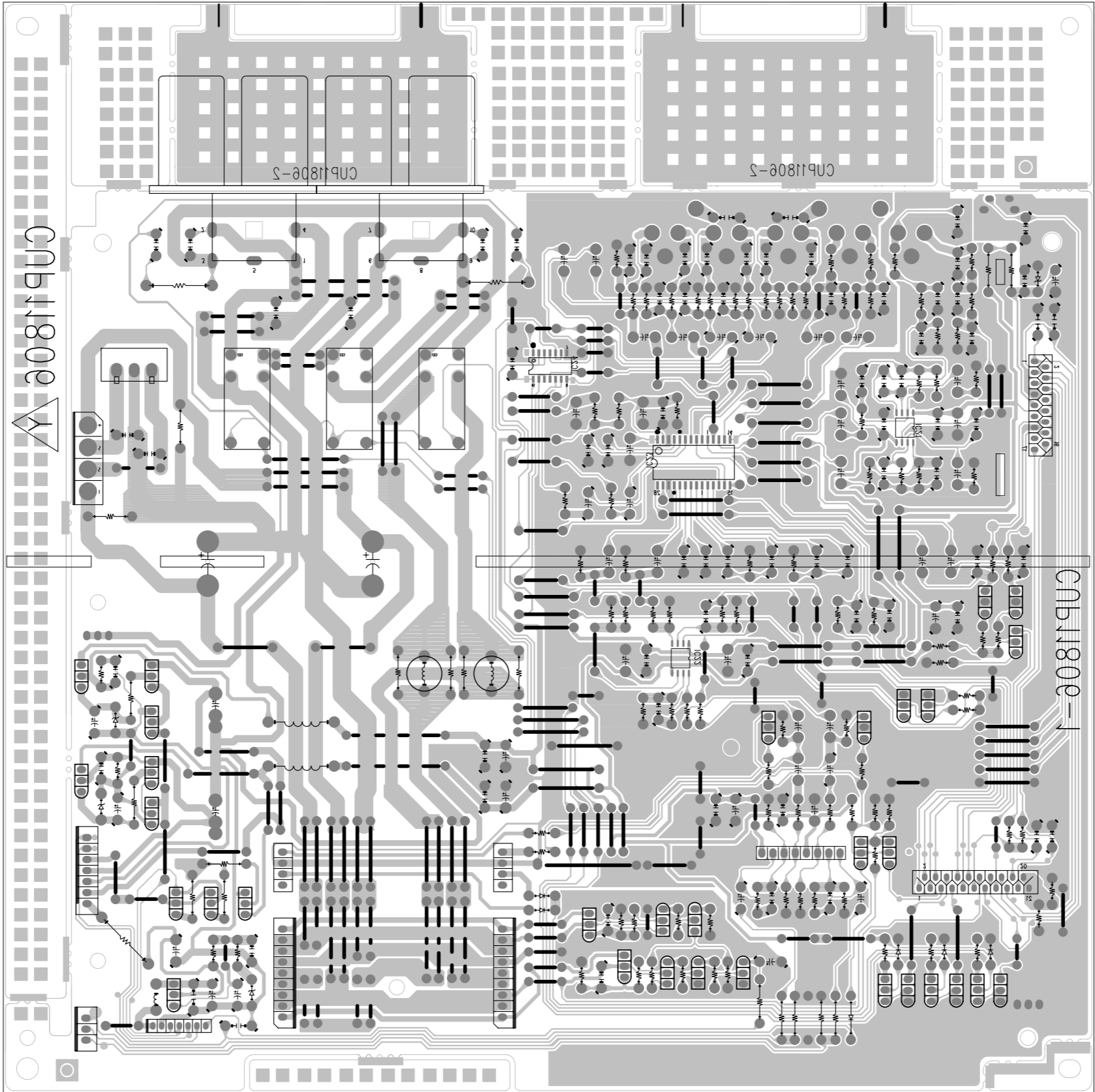
REF. NO.	PARTS NO.	DESCRIPTION	REMARKS
1	CGU1A375Z	WINDOW	
2	CBN1A122	KNOB, VOLUME	
3	CMC1A140	RING, SHAFT	
4	CGX1A369Z	SHEET, LED	
5	CGX1A370Z	SHEET, LED	
6	CGB1A165H12	BADGE, TEAC	
7-1	CGW1A405R4YH10	PANEL, FRONT (EUR)	[EUR, UK]
7-2	CGW1A405R4ZH10	PANEL, FRONT (230E-N)	[230E-N, HKG]
8	KHS1A032	TAPE, HEMELON	
9	CMD1A563	BRACKET	
10	HJJ2E020Z	PHONE JACK	
11	CUP11805-7	PCB	
12	GWE7202100RV	WIRE ASS'Y	
13	CMK1A010	BRACKET	
14	CBT1A991	KNOB, SPEAKER	
15	CBC1A152	KNOB, POWER	
16	CBT1A992	KNOB, TUNING	
17	CMD1A334	BRACKET 1	
18	KSH1A001ZV	MOMS SWITCH	
19	CUP11805-8	PCB	
20	CBT1A994	KNOB, BASS	
21	CBT1A993Z	KNOB, FUNCTION	
22	HFLSVA09MS10	FIP	
23	CMD1A374	BRACKET, FIP	
24-1	CUP11805-1	PCB, FRONT	
24-2	CUP11805-2	PCB, FRONT	
25	CMY1A256	SINK, HEAT	
26	CMD1A417	BRACKET, PCB	
27	CUP11805-11	PCB	
28	CUP11805-3	PCB	
29	△ CLT5U012YE	TRANS	
30	CUP11805-4	PCB	
31	CUP11805-10	PCB	
32	CUP11805-9	PCB, POWER	
33	CHG1A113	RUBBER	
34	CUA2A168	CHASSIS, BOTTOM	
35	CKL2A042H11	FOOT, FRONT	
36	KHG1A050Y	CUSHION, FOOT	
37	CKL1A012	FOOT, RUBBER	
38-1	CNVMB114MA18L	TUNNER PACK (EUR)	[EUR, UK]
38-2	CNVKSTMB014MA18	TUNNER PACK (230E-N)	[230E-N, HKG]
39	CMD1A571	BRACKET, SUPPORT	
40	CUP11806-1	PCB, MAIN	
41	CUP11806-2	PCB	
42	CHE1A023	MOUNT, PCB	
43	CMD1A392	BRACKET, PCB	
44	CKF4A172Z	PANEL, REAR	
45	KMD2A001	TERMINAL, GROUND	
46	KHR1A028	BUSHING, AC CORD	
47-1	△ CJA2B043ZA	CORD, POWER	[EUR, 230E-N]
47-2	△ CJA2B045ZA	CORD, POWER	[UK, HKG]
48	CKC1B098S1	CABINET, TOP	
S1	CTB3+8J	SCREW	
S2	CTB3+10J	SCREW	
S3	CTB3+10G	SCREW	
S4	CTB3+6J	SCREW	
S5	CTB3+8JFZ	SCREW	
S6	CTB3+10GFZ	SCREW	
S7	CTB4+8F	SCREW	
S8	CTB4+6FFZ	SCREW	
S9	CTW3+8J	SCREW	
S10	CTW3+16G	SCREW	
S11	CTWS3+8G	SCREW	

4 PC BOARDS AND PARTS LIST

MAIN & POWER PCB (TOP VIEW)



MAIN & POWER PCB (VIEW FROM TOP SIDE)



MAIN PCB ASSY (1/3)

REF. NO.	PARTS NO.	DESCRIPTION
BD10-11	CUP11806	PCB , MAIN
BN19	KLZ9H001Z	BEAD , CORE
BN93	CWZAG580BN09	WIRE ASS'Y
C101, 214-215,	CWZAG580BN93	WIRE ASS'Y
	CCKT1H103ZF	CAP , CERAMIC
217, 226, 254, 278-279, 416, 423, 451-452		
C106, 116	HCQ11H102JZT	CAP , MYLAR
C145-146	HCBS1H101KBT	CAP , CERAMIC
C201-202	CCKT1H102KB	CAP , CERAMIC
C203, 210-211, 216, 223, 227, 285-286	CCEA1CH470T	CAP , ELECT.
C205, 219	CCCT1H180JC	CAP , CERAMIC
C206-207, 220- 221	CCKT1H181KB	CAP , CERAMIC
C208, 212	HCQ11H562JZT	CAP , MYLAR
C209, 213	HCQ11H223JZT	CAP , MYLAR
C222	CCEA1EH331T	CAP , ELECT.
C224, 228	CCCT1H680JC	CAP , CERAMIC
C229-230, 234- 236, 242, 247- 248, 262, 267	CCKT1H101KB	CAP , CERAMIC
C231	CCEA1CH100T	CAP , ELECT.
C232	CCKT1H473ZF	CAP , CERAMIC
C233, 237, 240- 241, 249-250, 255-258, 263- 264, 268-269,	CCEA1HH2R2T	CAP , ELECT.
271, 274, 282- 283		
C238-239, 445- 446, 449-450	HCQ11H272JZT	CAP , MYLAR
C243-244, 251-	HCQ11H104JZT	CAP , MYLAR
252, 259-260		
C253, 276, 280	CCEA1HH100T	CAP , ELECT.
C265, 270	CCEA1HN2R2T	CAP , ELECT.
C275, 277	CCKT1H221KB	CAP , MYLAR
C287-288	HCBS1H103ZFT	CAP , CERAMIC
C403-404	CCET80VKL5682NK	CAP , ELECT. (35X40)
C406-407	CCME2A154JXT	CAP , METALLIZED FILM
C408, 414, 438, 440	CCEA1VH100T	CAP , ELECT.
C409, 439, 460,	CCFT1H104ZF	CAP , SEMICONDUCTOR
463		
C410, 426	HCBS1H104ZFT	CAP , CERAMIC
C411	HCEA1CH101T	CAP , ELECT.
C412-421, 461- 462	CCEA1CH101T	CAP , ELECT.
C413	CCEA1EH101T	CAP , ELECT.
C417	CCEA1EH222E	CAP , ELECT.
C420	CCEA1EH102E	CAP , ELECT.
C441, 443, 457- 458	HCQ11H473JZT	CAP , MYLAR

MAIN PCB ASSY (2/3)

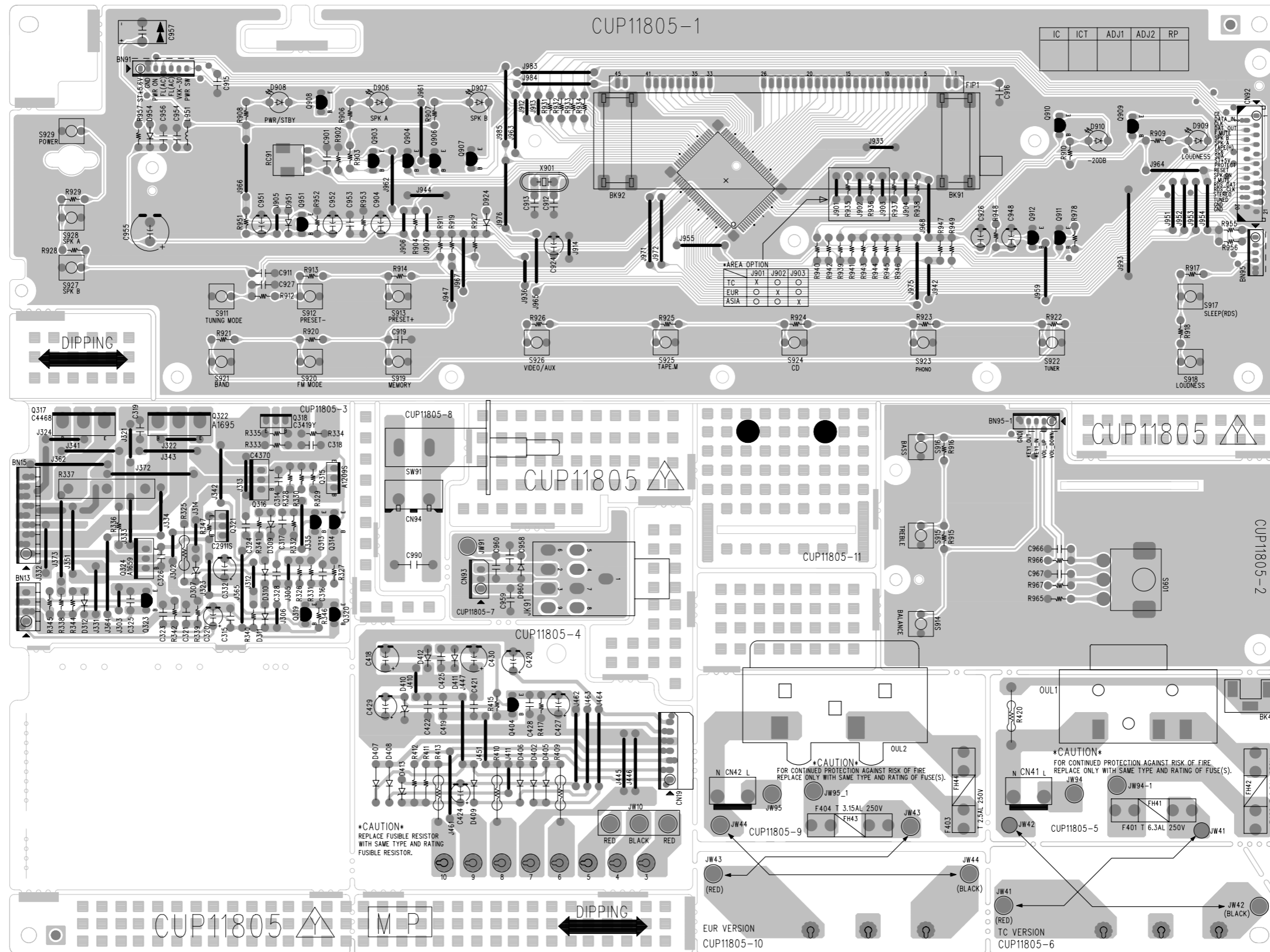
REF. NO.	PARTS NO.	DESCRIPTION
CN10	KJP03GA90ZM	WAFER
CN11	CJP15GA115ZY	WAFER , CARD CABLE
CN11	CJP17GA115ZY	WAFER , CARD CABLE
CN11	CWC1C4A15B090B	CABLE , CARD
CN11	CWC1C4A15B130B	CABLE , CARD
CN11	CWC1C4A17B120B	CABLE , CARD
CN13	KJP04GA63ZY	WAFER
CN15	KJP09GA63ZY	WAFER
CN91	CJP07GA19ZY	WAFER
CN92	CJP21GA115ZY	WAFER, CARD CABLE
D102, 106, 405, 419-421	HVD1SS133MT	DIODE
D401	HVDKBU804F	DIODE , BRIDGE
D403, 416	HVDMTZJ13BT	DIODE , ZENER
D404	HVDMTZJ6.2BT	DIODE , ZENER
D461	HVDMTZJ5.1BT	DIODE , ZENER
GND1, 3	HJT1A025	PALTE , EARTH
IC21-22	HVINJM2068MDTE1	I. C , OP AMP
IC23	HVITDA7318D	I. C (VOLUME+FUNCTION)
IC24	HVICD4066BM96	I. C , SWITCH
IC25	HVINJM4556AL	I. C , HEADPHONE
JK21	CJJ4R019W	JACK , RCA
JK22	CJJ4P014W	JACK , RCA
JK35	CJJ5Q006Z	TERMINAL , SPEAKER
L401	HLQ02C100KT	COIL , AXAIL
L403-404	CLEYOR5KAK	COIL , SPEAKER
PCB2	CNVKSTMB014MA	TUNER MOUDLE
PCB2	CNVMB014MA18L	TUNER MOUDLE
PCB2	HNVTFCE1U116A	TUNER MOUDLE
Q105-106, 204-	HVTKTC2874BT	T. R
205		
Q106	HVTKTC2874BT	T. R
Q108	HVTKSA1175YT	T. R
Q201, 203, 405, 407, 419-421,	HVTKRC107MT	T. R
423		
Q202, 206, 403, 406, 413, 425, 427-428	HVTKRA107MT	T. R
Q401	HVTKTC2026Y	T. R
Q402	HVTKSC2316YT	T. R
Q408-409	HVTKSC945CYT	T. R
Q411	HVTKTA1046Y	T. R
Q414	HVTKTC4370AY	T. R
Q415, 424	HVTKTA1268GR	T. R
Q416, 418	HVTKTC3200GR	T. R
Q417	HVTKTA1659AY	T. R
R101-102, 435- 436, 440	CRD20TJ100T	RES , CARBON
R106, 116, 208,	CRD20TJ102T	RES , CARBON
217-218, 225, 235-236, 238- 239, 248-249, 270-271		
R149-150, 201-	CRD20TJ222T	RES , CARBON

AG-790A

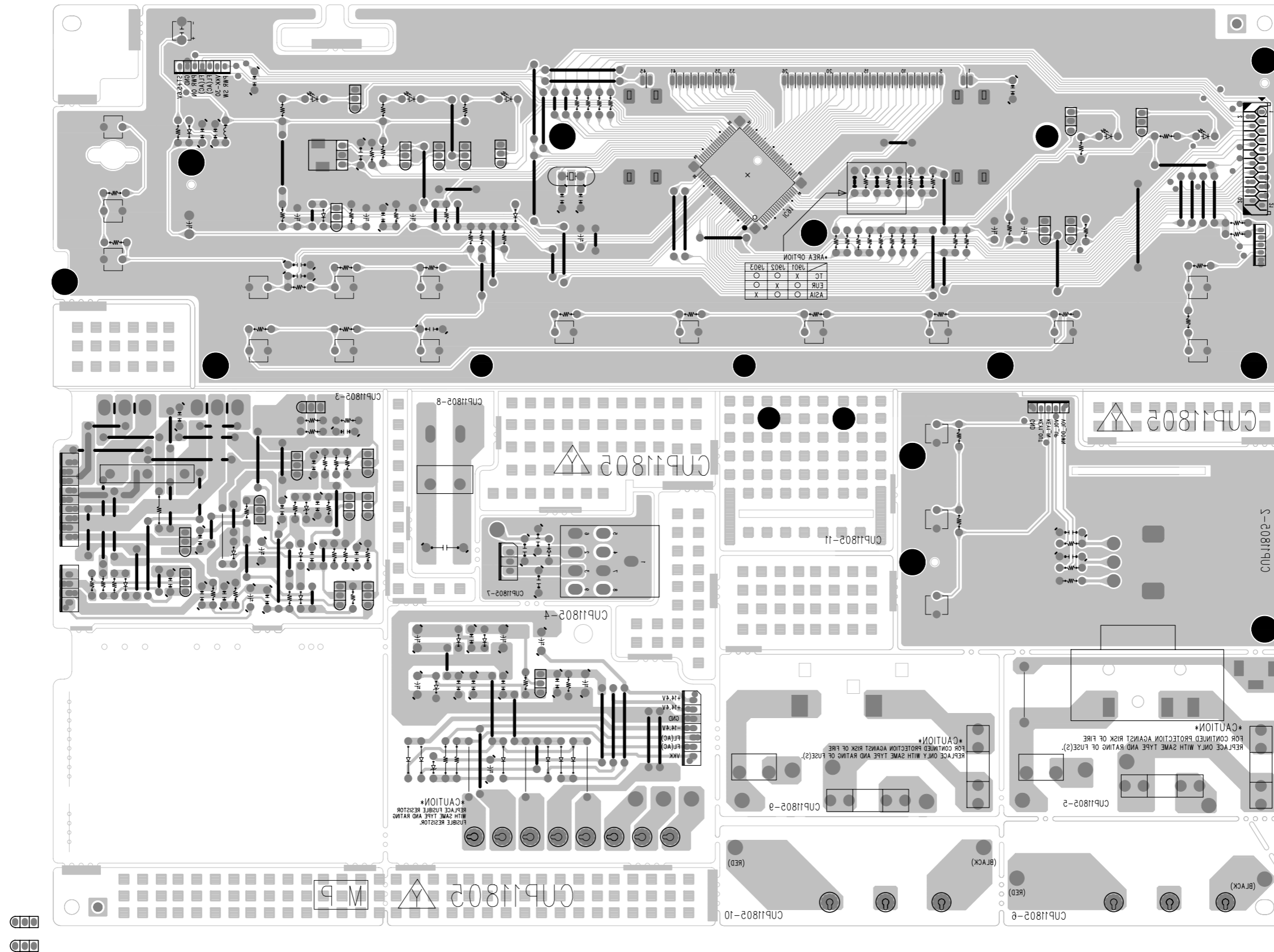
MAIN PCB ASSY (3/3)

REF. NO.	PARTS NO.	DESCRIPTION	
R202, 275, 404	CRD20TJ222T	RES , CARBON	
R151, 274	CRD20TJ474T	RES , CARBON	
R152, 279	CRD20TJ332T	RES , CARBON	
R203, 209, 220-221	CRD20TJ471T	RES , CARBON	
R204, 210	CRD20TJ391T	RES , CARBON	
R211-219	CRD20TJ223T	RES , CARBON	
R212, 214	CRD20TJ123T	RES , CARBON	
R213, 215	CRD20TJ184T	RES , CARBON	
R222	CRD20TJ271T	RES , CARBON	
R223-224, 231-232, 258-259, 261, 263, 268-269, 272-273	CRD20TJ473T	RES , CARBON	
R226-227, 240-	CRD20TJ104T	RES , CARBON	
241, 250-251			
R228-229, 255, 257, 403	CRD20TJ101T	RES , CARBON	
R230, 233, 252, 442-443, 450-	CRD20TJ103T	RES , CARBON	
451			
R234, 237	CRD20TJ561T	RES , CARBON	
R242, 246, 254, 256, 429, 441	CRD20TJ562T	RES , CARBON	
R243	CRD20TJ121T	RES , CARBON	
R253, 278	CRD20TJ392T	RES , CARBON	
R260, 264, 287-288	CRD20TJ273T	RES , CARBON	
R266	CRD20TJ121T	RES , CARBON	
R267	CRD20TJ121T	RES , CARBON	
R285-286, 433-434, 453-454	CRD25TJ100T	RES , CARBON	
R401-402	CRD25TJ153T	RES , CARBON	
R405-416	CRD25TJ222T	RES , CARBON	
R407	CRG1ANJ680H	RES , METAL OXIDE FILM	
R408, 414	CRD20TJ153T	RES , CARBON	
R418-419	CRD25TJ102T	RES , CARBON	
R421	CRD25TJ103T	RES , CARBON	
R424, 426, 430-431	CRD20TJ333T	RES , CARBON	
R425, 432	CRD20TJ560T	RES, CARBON	
R427	CRD20TJ563T	RES, CARBON	
R428	CRD20TJ682T	RES, CARBON	
R437-438	CRG1ANJ100H	RES, METAL OXIDE FILM	
R439	CRD25TJ561T	RES, CARBON	
R461-462	CRD25TJ331T	RES , CARBON	
RY41-43	HSL3A016ZE	REALY PCI-212DM	
S101	KST1A010Z	SW , TACT	
T401	⚠ CLT5U012YE	MAIN TRANS	[EUR, UK, HKG, 230E-N]
T401	⚠ CLT5U012ZU	MAIN TRANS	[TC]

SUB PCB (TOP VIEW)



SUB PCB (VIEW FROM TOP SIDE)



SUB PCB ASSY (1/3)

REF. NO.	PARTS NO.	DESCRIPTION
C314, 326	CUP11805	PCB, SUB
C315, 318	CCCT1H221KB	CAP, CERAMIC
C316, 321	HCQ11H102JZT	CAP, MYLAR
C317, 324	CCCT1H471KB	CAP, CERAMIC
	CCCT1H220JC	CAP, CERAMIC
C319, 325	HCQ11H473JZT	CAP, MYLAR
C320, 424	CCEA1HH4R7T	CAP, ELECT.
C323	CCCT1H050CC	CAP, CERAMIC
C328, 912-913	CCCT1H270JC	CAP, CERAMIC
C332, 418, 430	CCEA1HH101T	CAP, ELECT.
C419, 425	CCCT1H223ZF	CAP, CERAMIC
C420, 427, 429	CCEA1HH470T	CAP, ELECT.
C421-422	HCQ11H103JZT	CAP, MYLAR
C428, 915-916	CCCT1H103ZF	CAP, CERAMIC
953-954, 956		
C901	HCBS1H471KBT	CAP, CERAMIC
C904, 924, 951	CCEA1CKS100T	CAP, ELECT.
C911, 919, 927	HCBS1H102KBT	CAP, CERAMIC
C948	CCEA1HH1ROT	CAP, ELECT.
C955	HCEA0JH102T	CAP, ELECT.
C957	HCEA1AH471T	CAP, ELECT.
C958-959, 966-967	HCBS1H223ZFT	CAP, CERAMIC
C960	HCBS1H103ZFT	CAP, CERAMIC
C990	△ HCKWKH472ME	CAP, CERAMIC
D307, 309	HVDMTZJ27BT	DIODE, ZENER
D310-311, 924, 951, 954, 960	HVD1SS133MT	DIODE
D402, 405-409	HVD1N4003ST	RECT, DIODE
D410	HVDMTZJ30BT	DIODE, ZENER
D411-412	HVD1N4003SRT	DIODE
D413	HVDMTZJ6, 2BT	DIODE, ZENER
D906-910	HVD342VCTB7T089	L. E. D, RED
F1P1	HFLSVA09MS10	F. I. P
IC91	HV1TMP87PM78F	I. C, O. T. P
Q313-314, 319-320	HVTKTC3200GRT	T. R
Q315	HVT2SA1209S	T. R
Q316	HVTKTC4370AY	T. R
Q317	HVT2SC4468-OKM	T. R, POWER
Q318	HVT2SC3419Y	T. R
Q321	HVT2SC2911S	T. R
Q322	HVT2SA1695-OKM	T. R, POWER
Q323	HVTKSA1175YT	T. R
Q324	HVTKTA1659AY	T. R
Q404	HVTKTA1271YT	T. R
Q903-904, 906-912	HVTKRA107MT	T. R
Q951	HVTKSB811YT	T. R
RC91	HRVKSMB603TH2	REMOCON SENSOR
R325	CRG1ANJ562H	RES, MOF
R326-327, 338	CRD20TJ332T	RES, CARBON
R328-329, 334, 415, 965	CRD20TJ122T	RES, CARBON
R330, 347	CRD20TJ680T	RES, CARBON

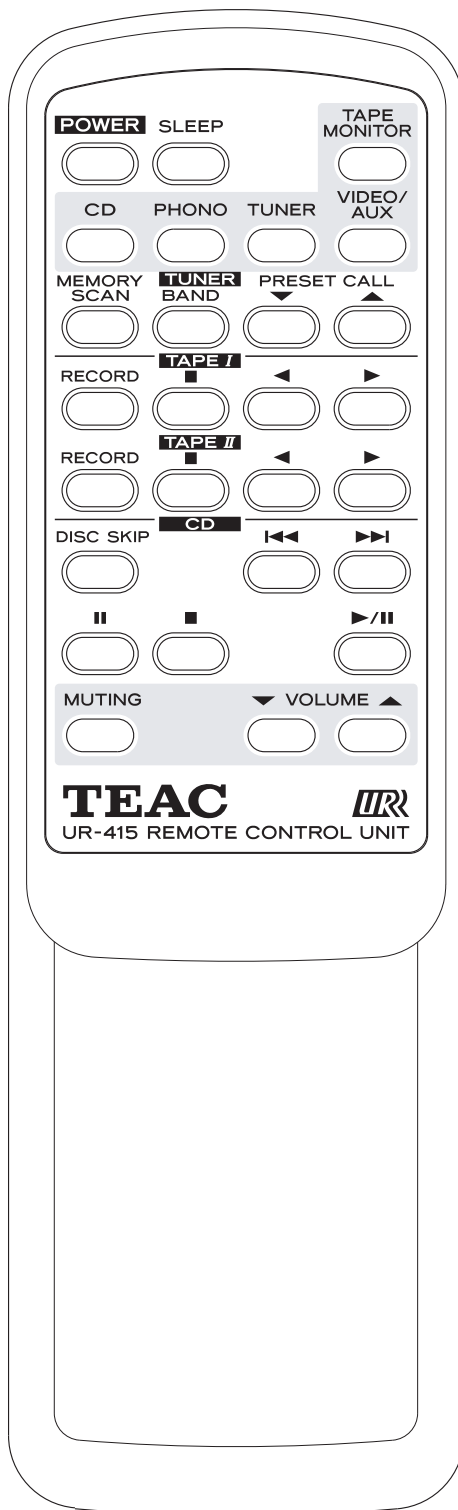
SUB PCB ASSY (2/3)

REF. NO.	PARTS NO.	DESCRIPTION
R331, 335, 345	CRD20TJ681T	RES, CARBON
R332	CRD20TJ203T	RES, CARBON
R333	CRD20TJ302T	RES, CARBON
R336	CRD25TJ221T	RES, CARBON
R337	CRF5EKR22HX2	RES, CEMENT
R339, 342, 417, 904, 953, 955-956	CRD20TJ473T	RES, CARBON
R340	CRD20TJ182T	RES, CARBON
R341	CRD20TJ243T	RES, CARBON
R344	CRD20TJ103T	RES, CARBON
R346	CRD20TJ333T	RES, CARBON
R409-410, 413	△ KRQ12AJR47H	RES, FUSE
R411-412	CRD25TJ560T	RES, CARBON
R420	△ HRDERC12UGK335T	RES, CARBON
		[T/C]
R902, 931-934	CRD20TJ102T	RES, CARBON
R903, 935-938, 941-942, 947-948	CRD20TJ223T	RES, CARBON
R906-908	CRD20TJ391T	RES, CARBON
R909-910	CRD20TJ221T	RES, CARBON
R911, 919, 927	CRD20TF1002T	RES, CARBON
R912, 920, 928	CRD20TF1001T	RES, CARBON
R913, 921, 929	CRD20TF1501T	RES, CARBON
R914, 922	CRD20TF1801T	RES, CARBON
R915, 923	CRD20TF2701T	RES, CARBON
R916, 924	CRD20TF3301T	RES, CARBON
R917, 925	CRD20TF5601T	RES, CARBON
R918, 926	CRD20TF7501T	RES, CARBON
R939-940	CRD20TJ561T	RES, CARBON
R943-946, 949	CRD20TJ472T	RES, CARBON
R951	CRD20TJ273T	RES, CARBON
R952	CRD20TJ104T	RES, CARBON
R957	CRD20TJ100T	RES, CARBON
R966-967	CRD20TJ272T	RES, CARBON
R978	CRD20TJ562T	RES, CARBON
BK41	CMD1A188	BRACKET, PCB
BK91-92	CMD1A374	BRACKET, FLT
BN13	KJP04HB60ZY	HOUSING, ANGLE
BN15	KJP09HB60ZY	HOUSING, ANGLE
BN91	CWB2B907250EN	WIRE ASS' Y
BN95	CWB1B905100NN	WIRE ASS' Y
CN11	CWC1C4A15B090B	CABLE, CARD
CN19	KJP07GB03ZM	WAFER
CN41	KJP02KA060ZY	WAFER
		[T/C]
CN42	KJP02KA060ZY	WAFER
CN92	CJP21GB116ZY	WAFER
CN92	CWC1C4A21B240A	CARD CABLE
CN93	CJP03GA01ZY	WAFER
CN94	KJP02GA89ZM	WAFER
		[EUR, UK, 230E-N, HKG]
F401	△ KBA2C6300TLUZ	FUSE
F402	△ KBA2C2500TLUZ	FUSE
F403	△ KBA2C2500TLUZ	FUSE
F404	△ KBA2C3150TLEZ	FUSE
FH41-42	KJCF65S	HOLDER, FUSE
		[T/C]
		[T/C]
		[EUR, UK, 230E-N, HKG]
		[EUR, UK, 230E-N, HKG]
		[T/C]

SUB PCB ASSY (3/3)

REF. NO.	PARTS NO.	DESCRIPTION	
FH43-44	KJCF5S	HOLDER, FUSE	[EUR, UK, 230E-N, HKG]
J901	C3A206	WIRE, COPPER	[EUR, UK]
J901	C3A206	WIRE, COPPER	[HKG, 230E-N]
J902	C3A206	WIRE, COPPER	[T/C]
J902	C3A206	WIRE, COPPER	[HKG, 230E-N]
J903	C3A206	WIRE, COPPER	[T/C]
J903	C3A206	WIRE, COPPER	[EUR, UK]
JK91	HJJ2E020Z	JACK, HEADPHONE	
JW10	CWZAG580W010	WIRE ASS'Y	
JW41	CWEE212080VV	WIRE ASS'Y (RED)	
JW42	CWEE202090VV	WIRE ASS'Y (BLACK)	
JW91	CWE7202100RV	WIRE ASS'Y	
JW94	CWZAG790JW94	WIRE ASS'Y	[T/C]
JW95	CWZAG790JW94	WIRE ASS'Y	[EUR, UK, 230E-N, HKG]
L951	HLQ02C100KT	COIL, AXIAL	
OUL1	△ CJJ7A015Z	AC OUTLET (120V, 2P)	[T/C]
OUL2	△ CJJ7A021Z	AC OUTLET (230V, 1P)	[EUR, UK, 230E-N, HKG]
S901	HSR2A031Z	VR, ENCODER	
S911-928	CST1A012ZT	SW, TACT	
SW91	KSH1A001ZV	SW, PUSH (MOMS)	
X901	HOX08000E160C	CRYSTAL	
	△ CJA2B043ZA	CORD, POWER	[EUR, 230E-N]
	△ CJA2E045ZA	CORD, POWER	[UK, HKG]
	△ CJA523FBYA	CORD, POWER	[T/C]
	CMY1A256	SINK, HEAT	

5 REMOTE CONTROL LAYOUT



5 INCLUDED ACCESSORIES

INCLUDED ACCESSORIES

REF. NO.	PARTS NO.	DESCRIPTION	REMARKS
	CARTAG790	REMOCON ASS'Y	UR-415 (SAME AS AG-680)
	CQX1A1015Z	MANUAL , INSTRUCTION	9A10271900 E/F [T/C, 230E-N, HKG]
	CQX1A023Z	MANUAL , INSTRUCTION	9A10272000 6L [EUR, UK]
	CSA1A018Z	FM 1 POLE ANT	[EUR, UK, 230E-N, HKG]
	CSA1A019Z	FM 1 POL ANT (UL)	[T/C]
	CSA1A020Z	AM LOOP ANT	[EUR, UK, 230E-N, HKG]
	CSA3A013Z	ANT , AM LOOP	[T/C]
	HABAAM1.5V	BATTERY	AA(R6) SIZE x2
	CQX1A645X	WARRANTY CARD	

TEAC CORPORATION 3-7-3, Nakacho, Musashino-shi, Tokyo 180-8550, Japan Phone: (0422) 52-5081

TEAC AMERICA, INC. 7733 Telegraph Road, Montebello, California 90640 Phone: (323) 726-0303

TEAC CANADA LTD. 5939 Wallace Street, Mississauga, Ontario L4Z 1Z8, Canada Phone: (905) 890-8008

TEAC MEXICO, S.A. De C.V. Campesinos N° 184, Colonia Granjas Esmeralda, Delegacion Iztapalapa, CP 09810, México DF Phone: (525) 581-5500

TEAC UK LIMITE Unit 19 & 20, The Courtyards, Hatters Lane, Watford, Hertfordshire, WD18 8TE, U.K. Phone: (0845) 130-2511

TEAC EUROPE GmbH Bahnstrasse 12, 65205 Wiesbaden-Erbenheim, Germany Phone: 0611-71580

TEAC ITALIANA S.p.A. Via C. Cantù 9/A, 20092 Cinisello Balsamo, Milano, Italy Phone: 02-66010500

TEAC AUSTRALIA PTY., LTD. 280 William Street, Melbourne VIC 3000, Australia Phone: (03) 9672-2400
A.B.N. 80 005 408 462

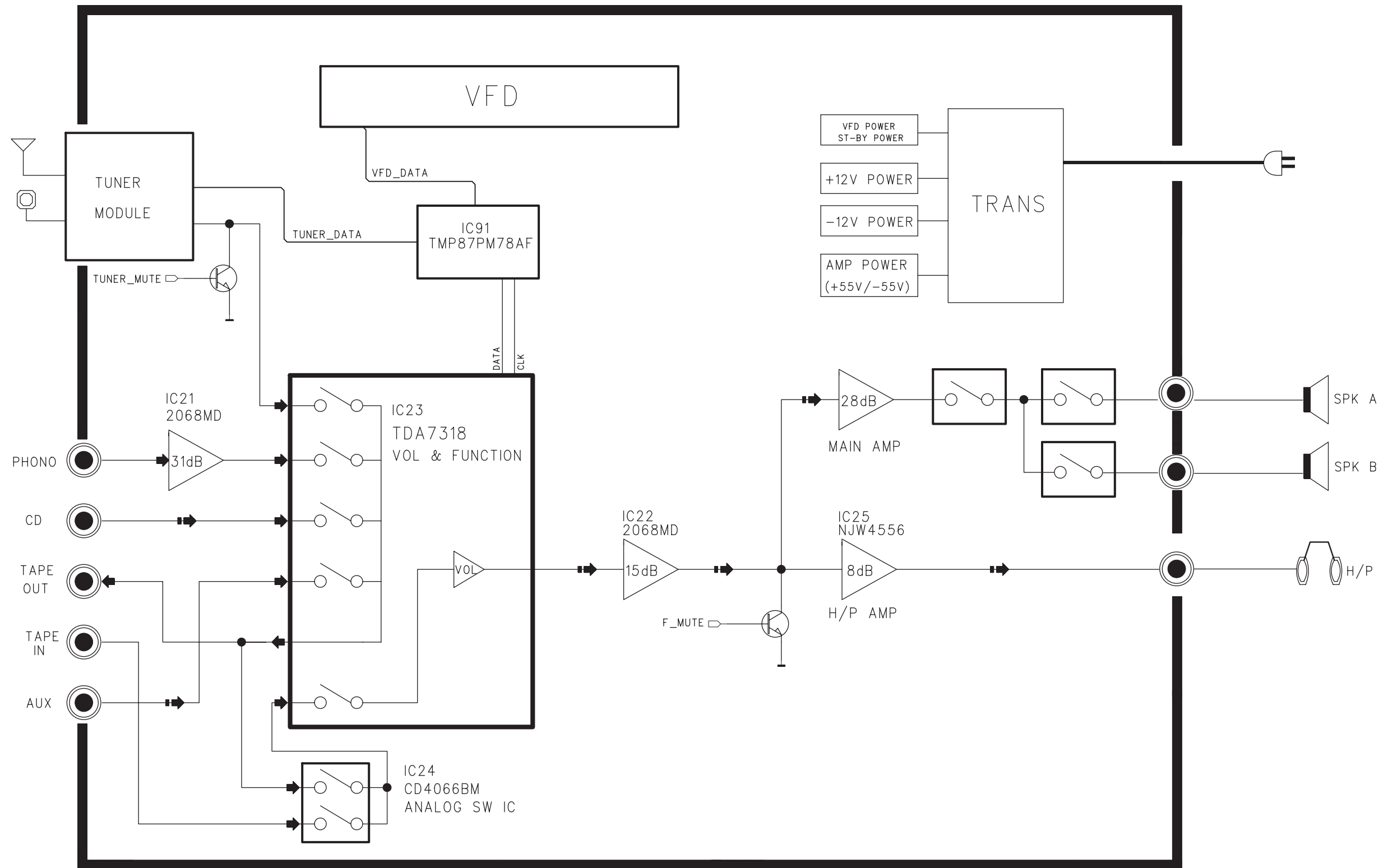
A

B

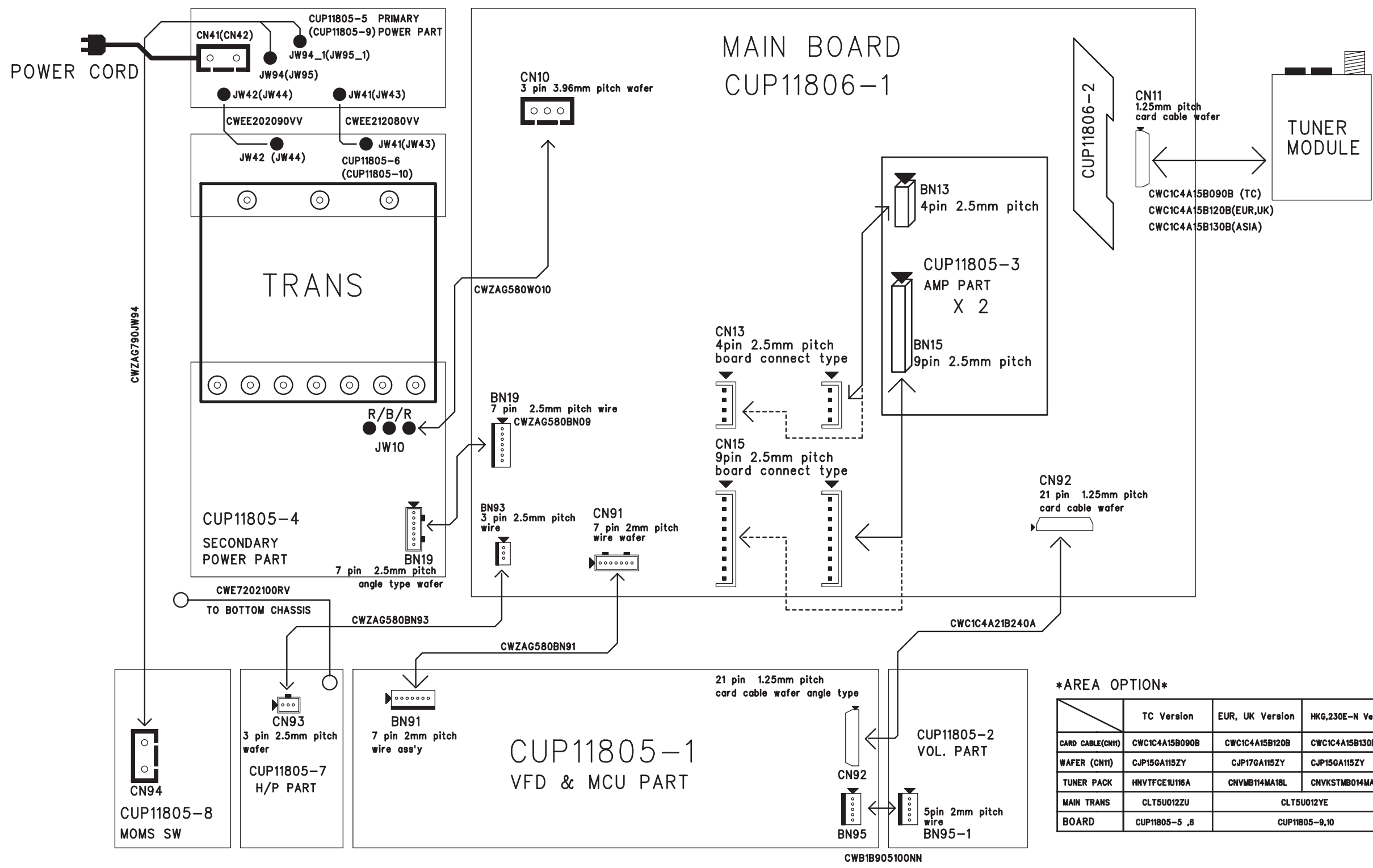
C

D

E

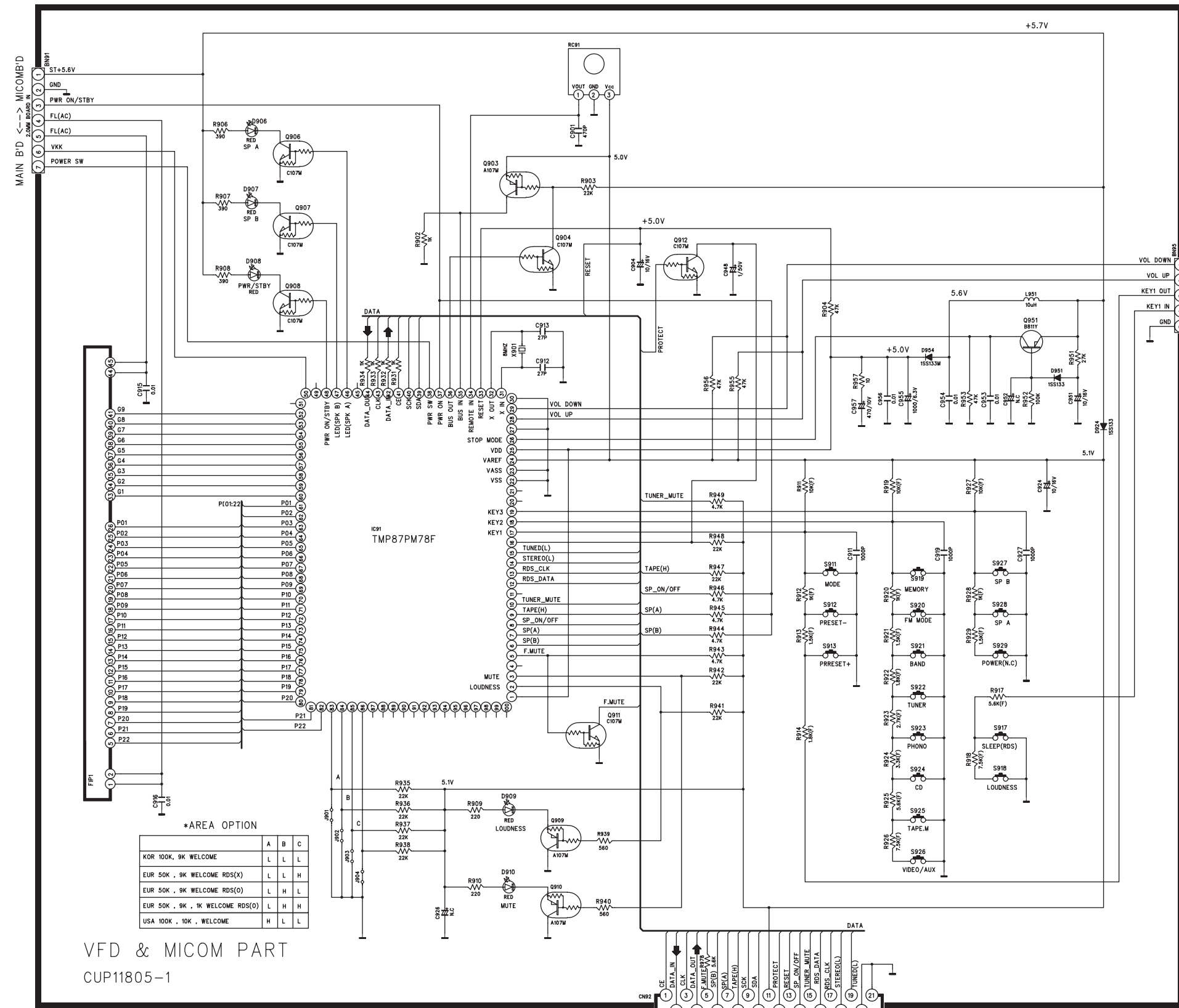


A
B
C
D
E



AREA OPTION

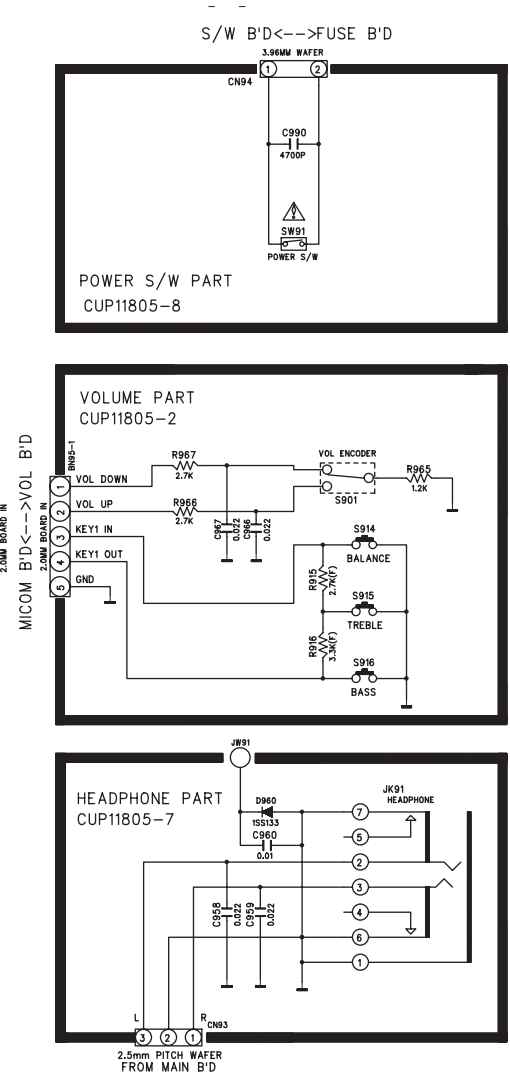
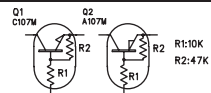
	TC Version	EUR, UK Version	HKG,230E-N Version
CARD CABLE(CN11)	CWC1C4A15B090B	CWC1C4A15B120B	CWC1C4A15B130B
WAFER (CN11)	CJP15GA115ZY	CJP17GA115ZY	CJP15GA115ZY
TUNER PACK	HNVTFCE1U116A	CNVMB114MA18L	CNVKSTMB014MA18
MAIN TRANS	CLT5U012ZU	CLT5U012YE	
BOARD	CUP11805-5 ,6	CUP11805-9,10	



*AREA OPTION

	A	B	C
KOR 100K, 9K WELCOME	L	L	L
EUR 50K, 9K WELCOME RDS(X)	L	L	H
EUR 50K, 9K WELCOME RDS(O)	L	H	L
EUR 50K, 9K, 1K WELCOME RDS(O)	L	H	H
USA 100K, 10K, WELCOME	H	L	L

VFD & MICOM PART
CUP11805-1

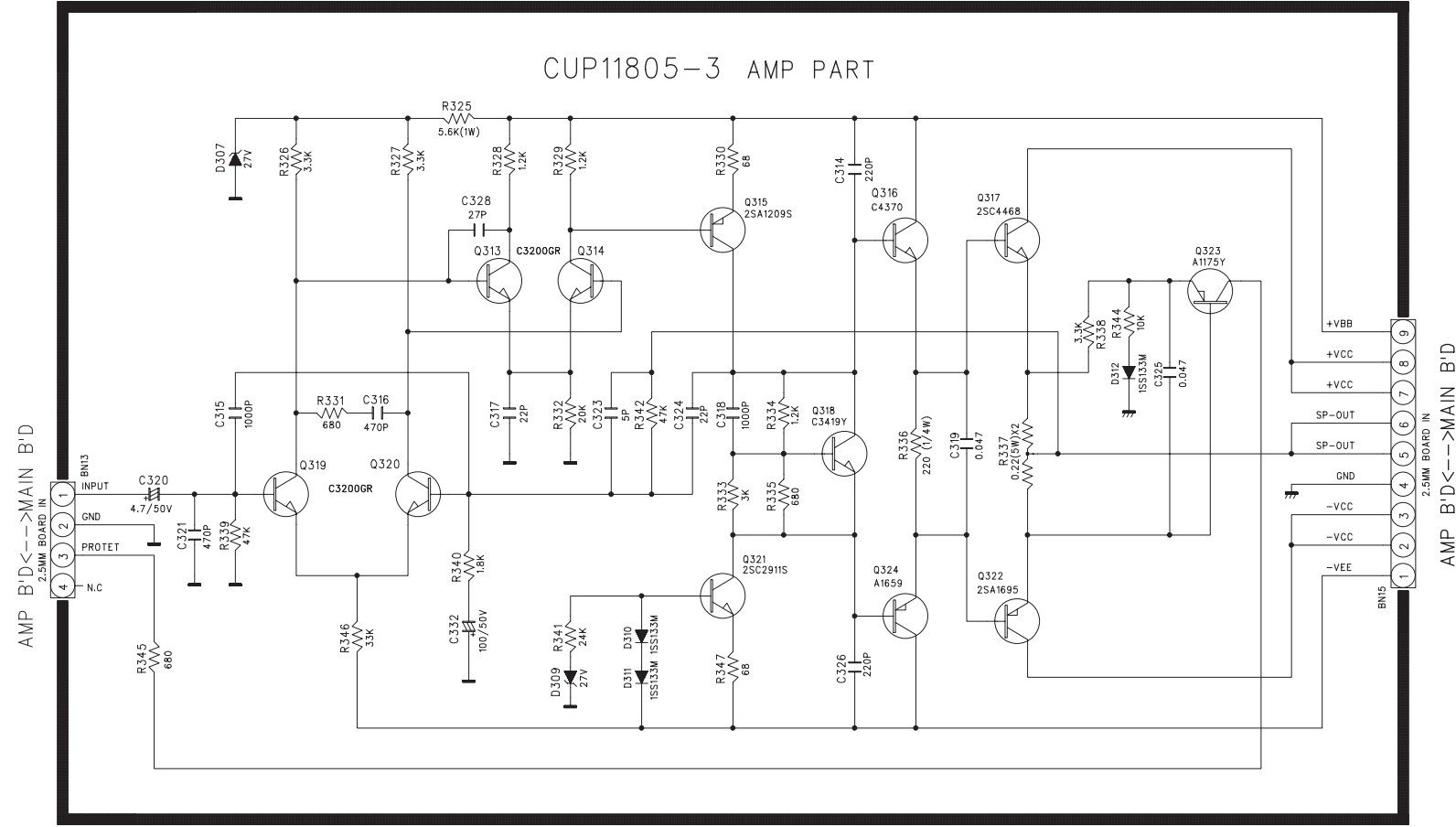


- NOTES:
1. Resistor values are in ohms (k=kilo-ohms, M=megohms).
 2. Capacitor values are in microfarads (p=picofarads).
 3. Δ Parts marked with this sign are safety critical components. They must always be replaced with identical components-refer to the appropriate parts list and ensure exact replacement.

AG-790A

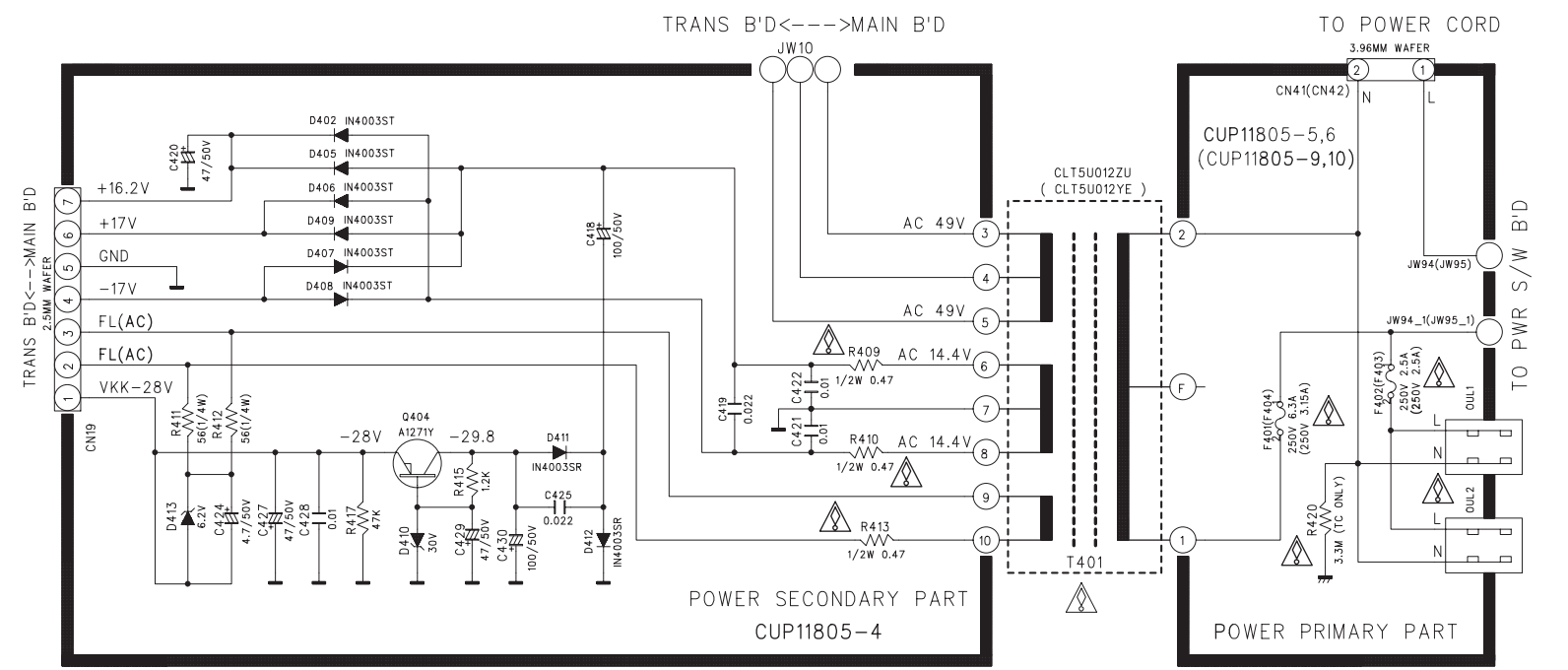
AM/FM STEREO Receiver
1st Issue: September 2005

A
B
C
D
E



AREA OPTION

	TC Ver.	EUR,UK,HKG,230E-N Ver.
BOARD	CUP11805-5,6	CUP11805-9,10
WAFER	CN41	CN42
WIRE	JW94 ,JW94_1	JW95, JW95_1
FUSE	F401 , F402	F403 , F404
OUTLET	OUL1	OUL2
TRANS	CLT5U012ZU	CLT5U012YE



NOTES:
 1. Resistor values are in ohms (k=kilo-ohms, M=megohms).
 2. Capacitor values are in microfarads (p=picofarads).
 3. ⚠️ Parts marked with this sign are safety critical components. They must always be replaced with identical components-refer to the appropriate parts list and ensure exact replacement.

TEAC SCHEMATIC DIAGRAM AG-790A MAIN PCB

1

2

3

4

5

6

7

8

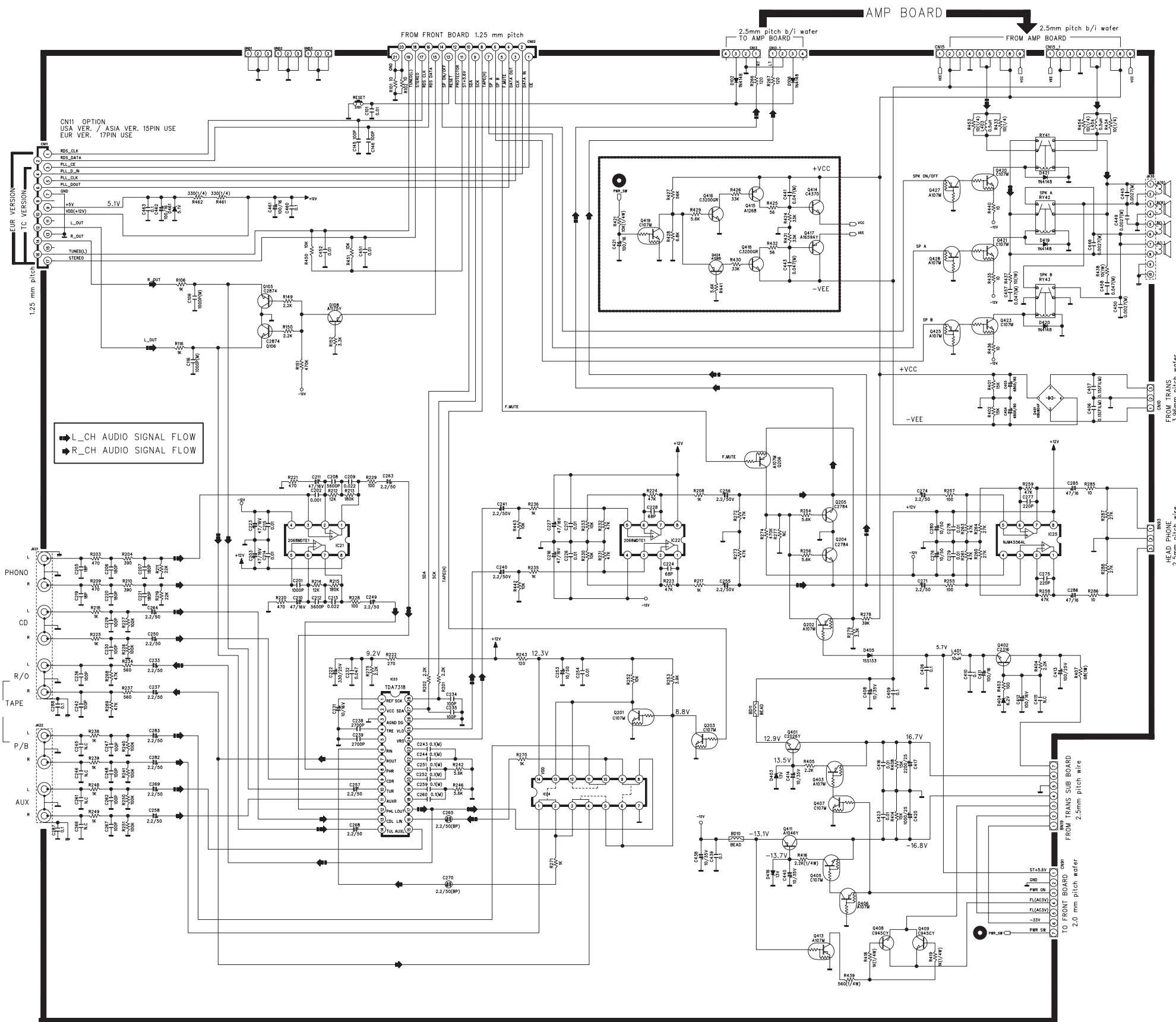
A

B

C

D

E



NOTES:

1. Resistor values are in ohms (k=kilo-ohms, M=megohms).
2. Capacitor values are in microfarads (p=picofarads).
3. Δ Parts marked with this sign are safety critical components. They must always be replaced with identical components—refer to the appropriate parts list and ensure exact replacement.

AG-790A

AM/FM STEREO Receiver
1st Issue: September 2005