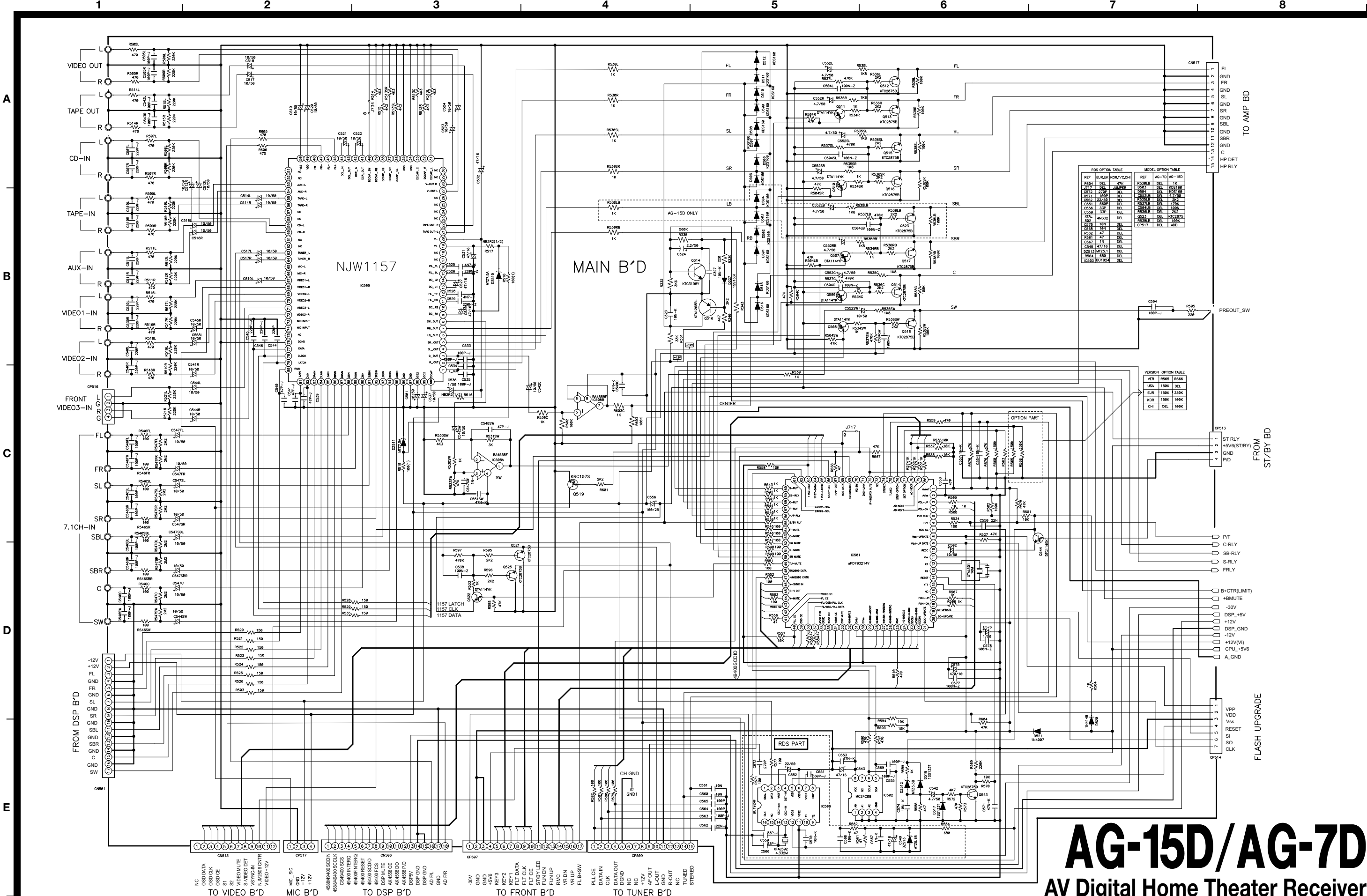


TEAC SCHEMATIC DIAGRAM AG-15D/AG-7D MAIN PCB (1/2)



RDS OPTION TABLE

REF	EUR/JA	KOR/T/C/CH	MODEL OPTION TABLE
R884	DEL	47K	RS36B DEL 1K
T17	DEL	47K	RS36B DEL 1K
C572	270P	DEL	RS36B DEL 1K
C573	270P	DEL	RS36B DEL 1K
C574	270P	DEL	RS36B DEL 1K
C575	270P	DEL	RS36B DEL 1K
C576	270P	DEL	RS36B DEL 1K
C577	270P	DEL	RS36B DEL 1K
C578	270P	DEL	RS36B DEL 1K
C579	270P	DEL	RS36B DEL 1K
C580	270P	DEL	RS36B DEL 1K
C581	270P	DEL	RS36B DEL 1K
C582	270P	DEL	RS36B DEL 1K
C583	270P	DEL	RS36B DEL 1K
C584	270P	DEL	RS36B DEL 1K
C585	270P	DEL	RS36B DEL 1K
C586	270P	DEL	RS36B DEL 1K
C587	270P	DEL	RS36B DEL 1K
C588	270P	DEL	RS36B DEL 1K
C589	270P	DEL	RS36B DEL 1K
C590	270P	DEL	RS36B DEL 1K
C591	270P	DEL	RS36B DEL 1K
C592	270P	DEL	RS36B DEL 1K
C593	270P	DEL	RS36B DEL 1K
C594	270P	DEL	RS36B DEL 1K
C595	270P	DEL	RS36B DEL 1K
C596	270P	DEL	RS36B DEL 1K
C597	270P	DEL	RS36B DEL 1K
C598	270P	DEL	RS36B DEL 1K
C599	270P	DEL	RS36B DEL 1K
C600	270P	DEL	RS36B DEL 1K

MODEL OPTION TABLE

REF	EUR/JA	KOR/T/C/CH	MODEL OPTION TABLE
R884	DEL	47K	RS36B DEL 1K
T17	DEL	47K	RS36B DEL 1K
C572	270P	DEL	RS36B DEL 1K
C573	270P	DEL	RS36B DEL 1K
C574	270P	DEL	RS36B DEL 1K
C575	270P	DEL	RS36B DEL 1K
C576	270P	DEL	RS36B DEL 1K
C577	270P	DEL	RS36B DEL 1K
C578	270P	DEL	RS36B DEL 1K
C579	270P	DEL	RS36B DEL 1K
C580	270P	DEL	RS36B DEL 1K
C581	270P	DEL	RS36B DEL 1K
C582	270P	DEL	RS36B DEL 1K
C583	270P	DEL	RS36B DEL 1K
C584	270P	DEL	RS36B DEL 1K
C585	270P	DEL	RS36B DEL 1K
C586	270P	DEL	RS36B DEL 1K
C587	270P	DEL	RS36B DEL 1K
C588	270P	DEL	RS36B DEL 1K
C589	270P	DEL	RS36B DEL 1K
C590	270P	DEL	RS36B DEL 1K
C591	270P	DEL	RS36B DEL 1K
C592	270P	DEL	RS36B DEL 1K
C593	270P	DEL	RS36B DEL 1K
C594	270P	DEL	RS36B DEL 1K
C595	270P	DEL	RS36B DEL 1K
C596	270P	DEL	RS36B DEL 1K
C597	270P	DEL	RS36B DEL 1K
C598	270P	DEL	RS36B DEL 1K
C599	270P	DEL	RS36B DEL 1K
C600	270P	DEL	RS36B DEL 1K

VERSION OPTION TABLE

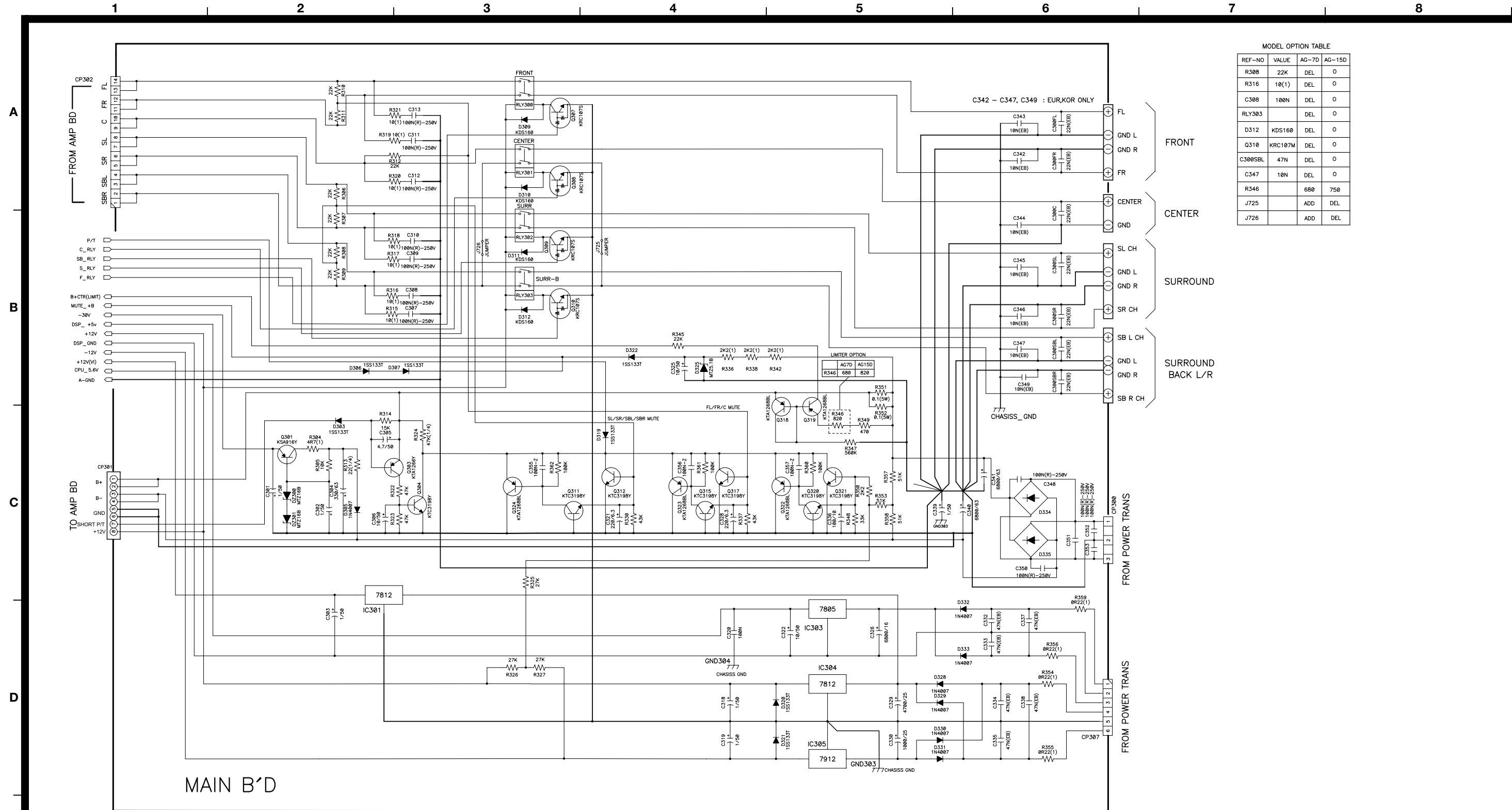
VER	R565	R566
USA	150K	DEL
EUR	150K	33K
KOR	150K	100K
CH	DEL	100K

AG-15D/AG-7D

AV Digital Home Theater Receiver

1st Issue; November 2004

TEAC SCHEMATIC DIAGRAM AG-15D/AG-7D MAIN PCB (2/2)



MODEL OPTION TABLE

REF-NO	VALUE	AG-7D	AG-15D
R308	22K	DEL	0
R316	10(1)	DEL	0
C308	100N	DEL	0
RLY303		DEL	0
D312	KDS160	DEL	0
Q310	KRC107M	DEL	0
C300SBL	47N	DEL	0
C347	10N	DEL	0
R346	680	750	
J725		ADD	DEL
J726		ADD	DEL

AG-15D/AG-7D

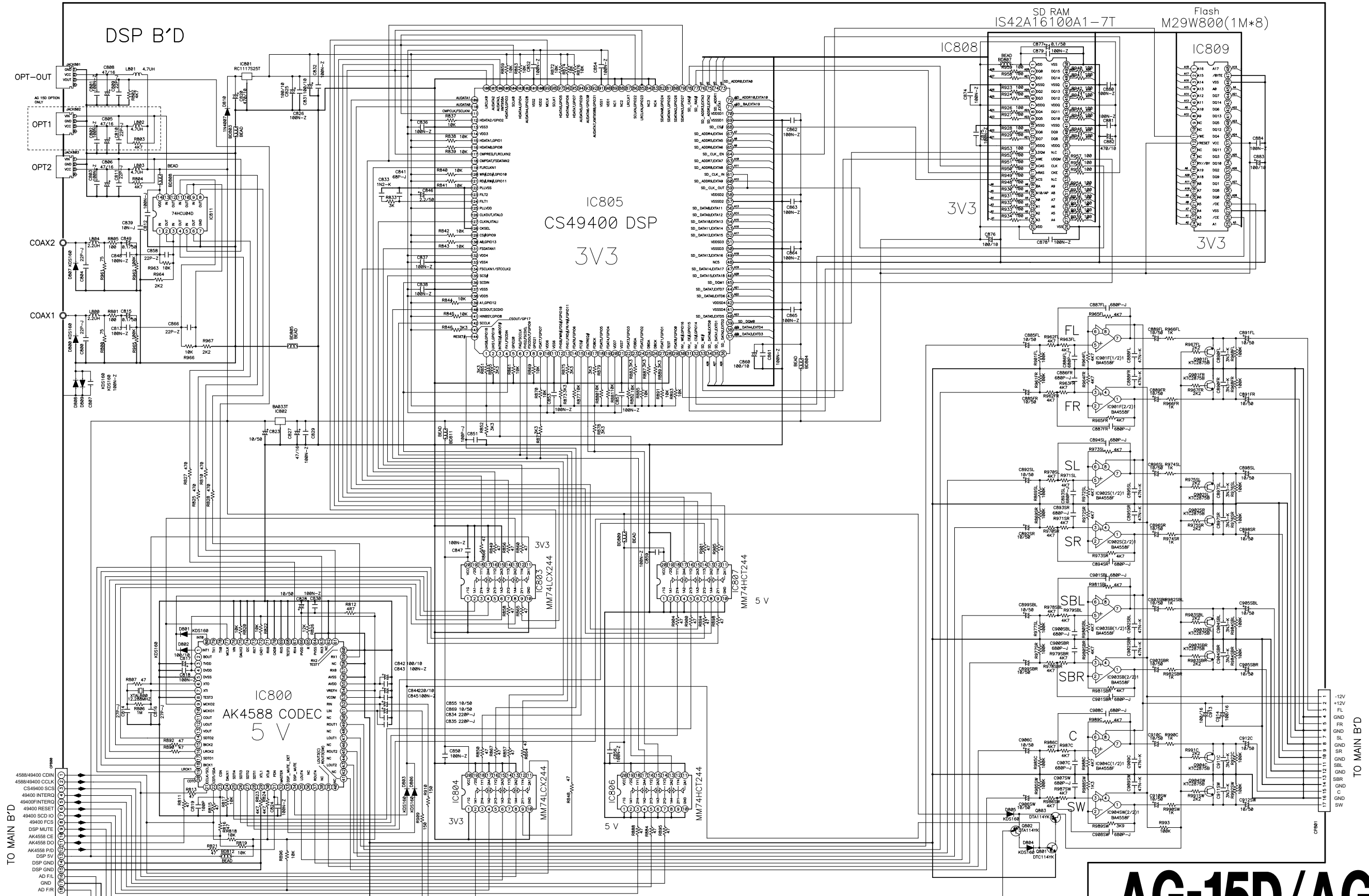
AV Digital Home Theater Receiver

1st Issue; November 2004

TEAC SCHEMATIC DIAGRAM AG-15D/AG-7D DSP PCB

1 2 3 4 5 6 7 8

A
B
C
D
E



AG-15D/AG-7D

AV Digital Home Theater Receiver

1st Issue; November 2004

TEAC SCHEMATIC DIAGRAM AG-15D/AG-7D VIDEO PCB, COMPONENT PCB, MIC PCB

1 2 3 4 5 6 7 8

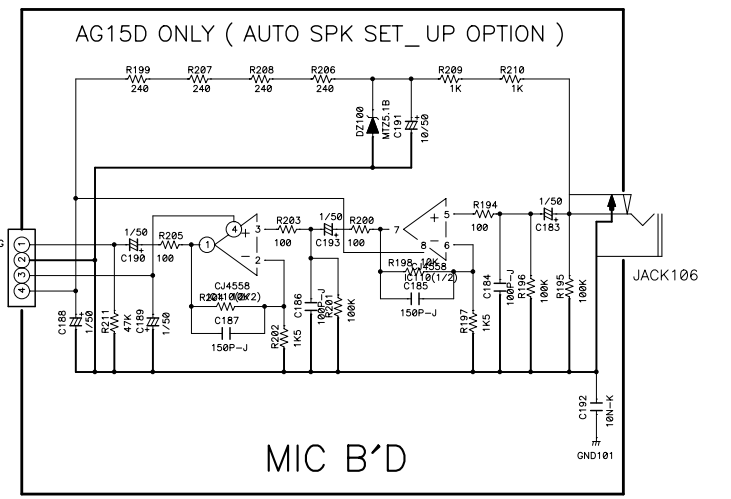
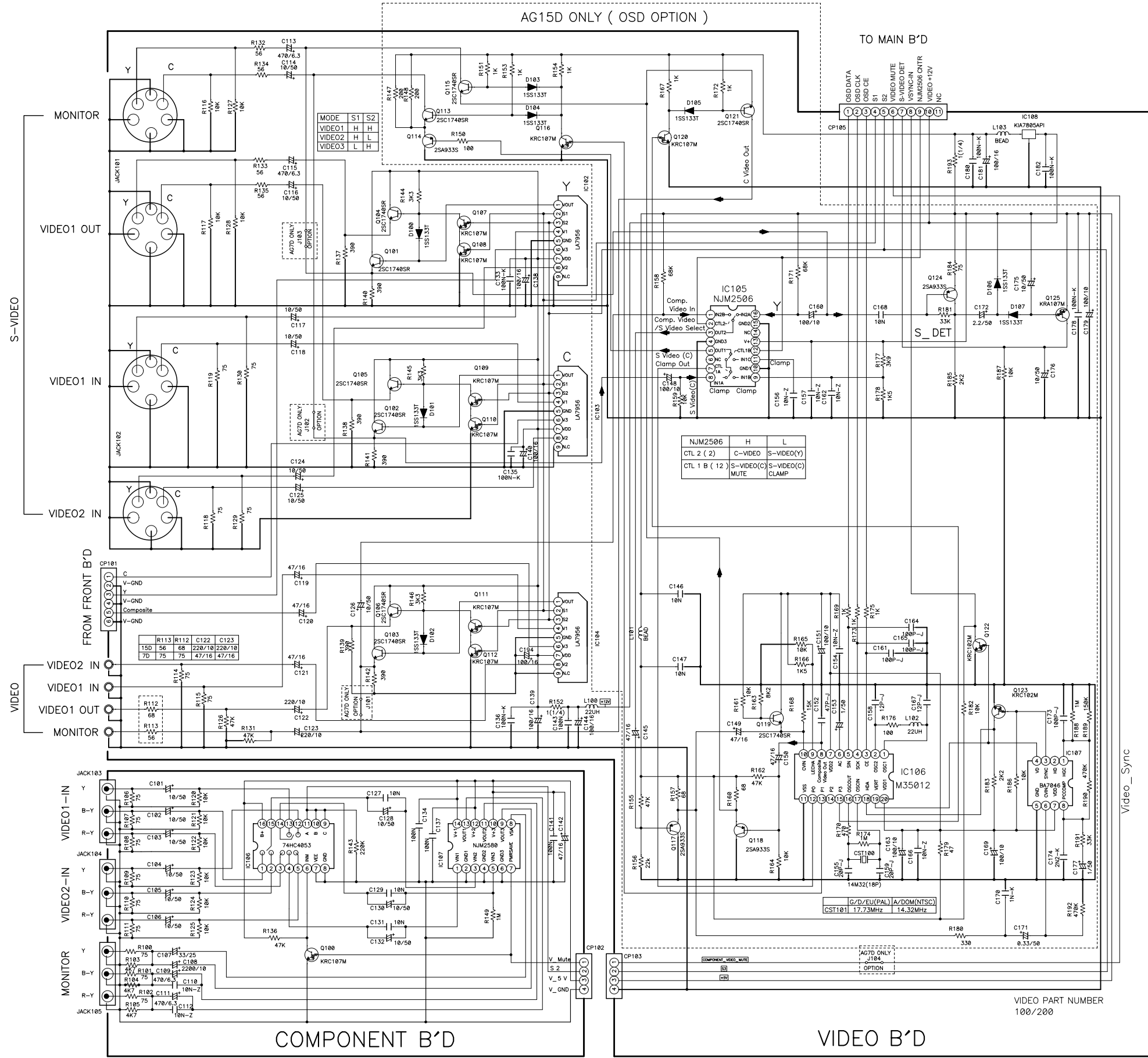
A

B

C

D

E

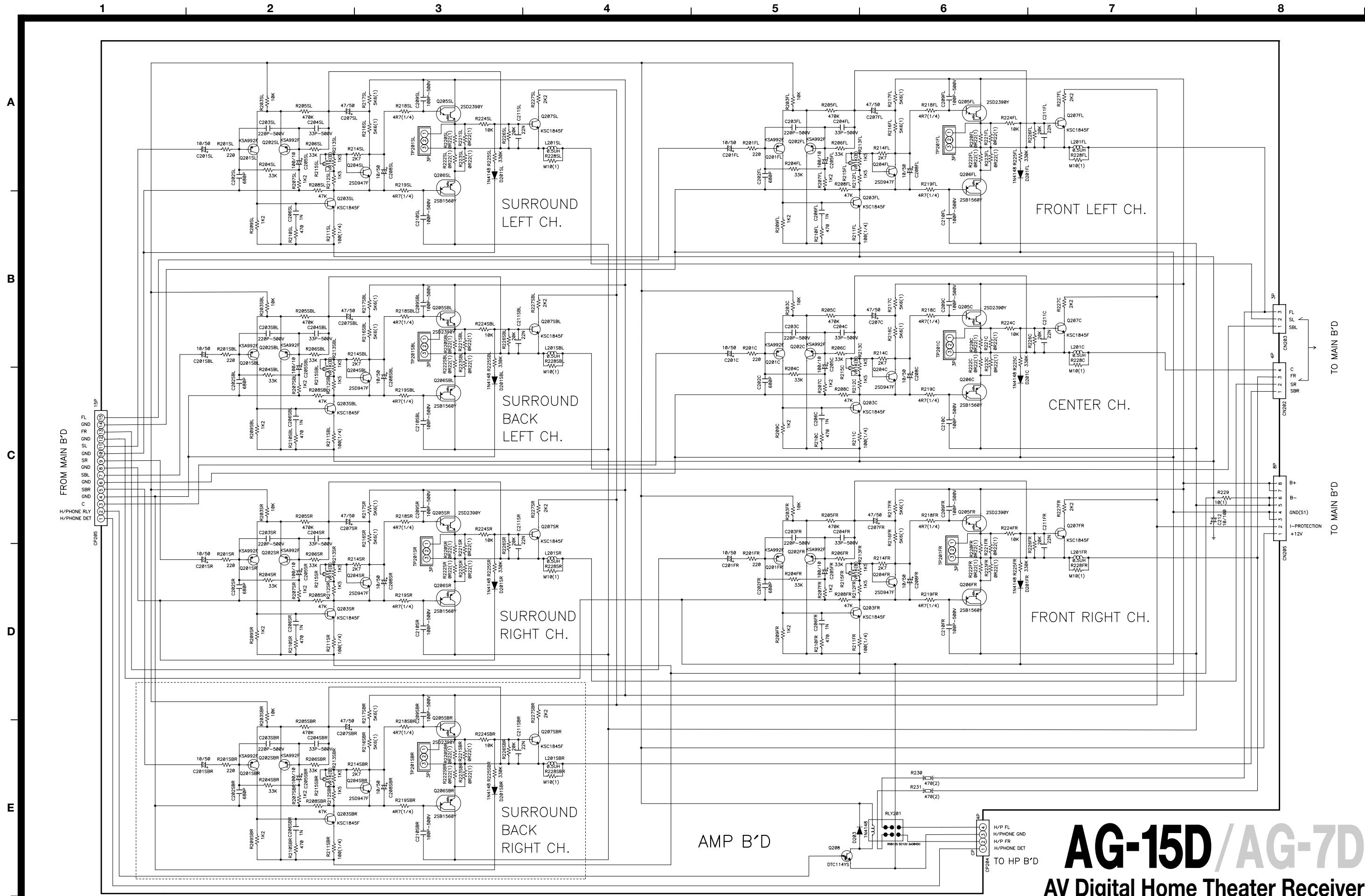


AG-15D/AG-7D

AV Digital Home Theater Receiver

1st Issue; November 2004

TEAC SCHEMATIC DIAGRAM AG-15D/AG-7D AMP PCB



AG-15D/AG-7D

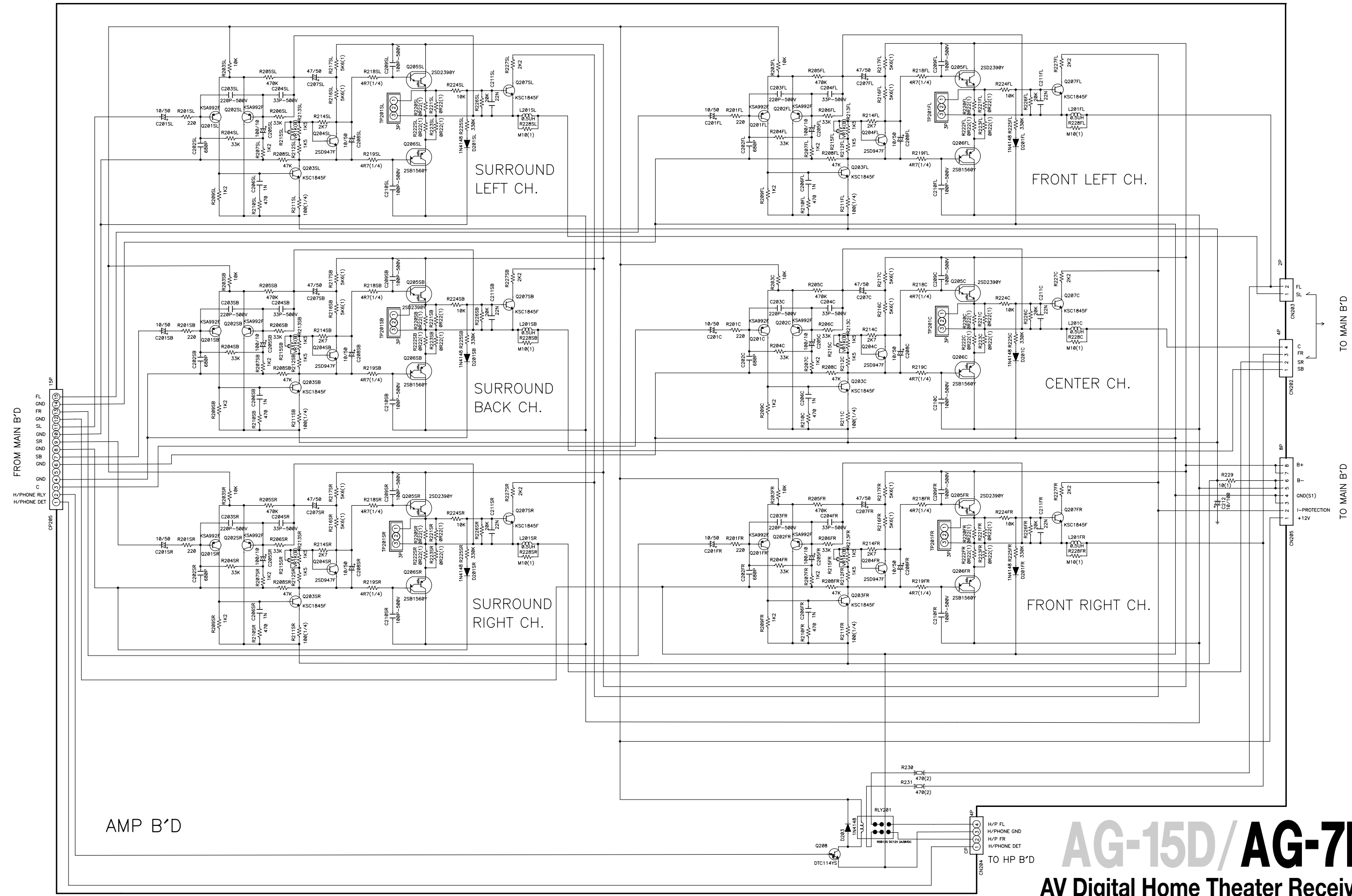
AV Digital Home Theater Receiver

1st Issue; November 2004

TEAC SCHEMATIC DIAGRAM **AG-15D/AG-7D** AMP PCB

1 2 3 4 5 6 7 8

A
B
C
D
E

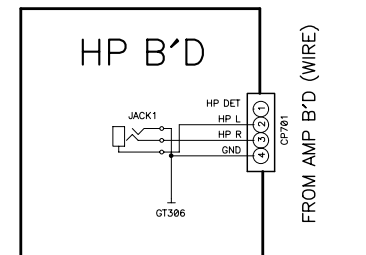
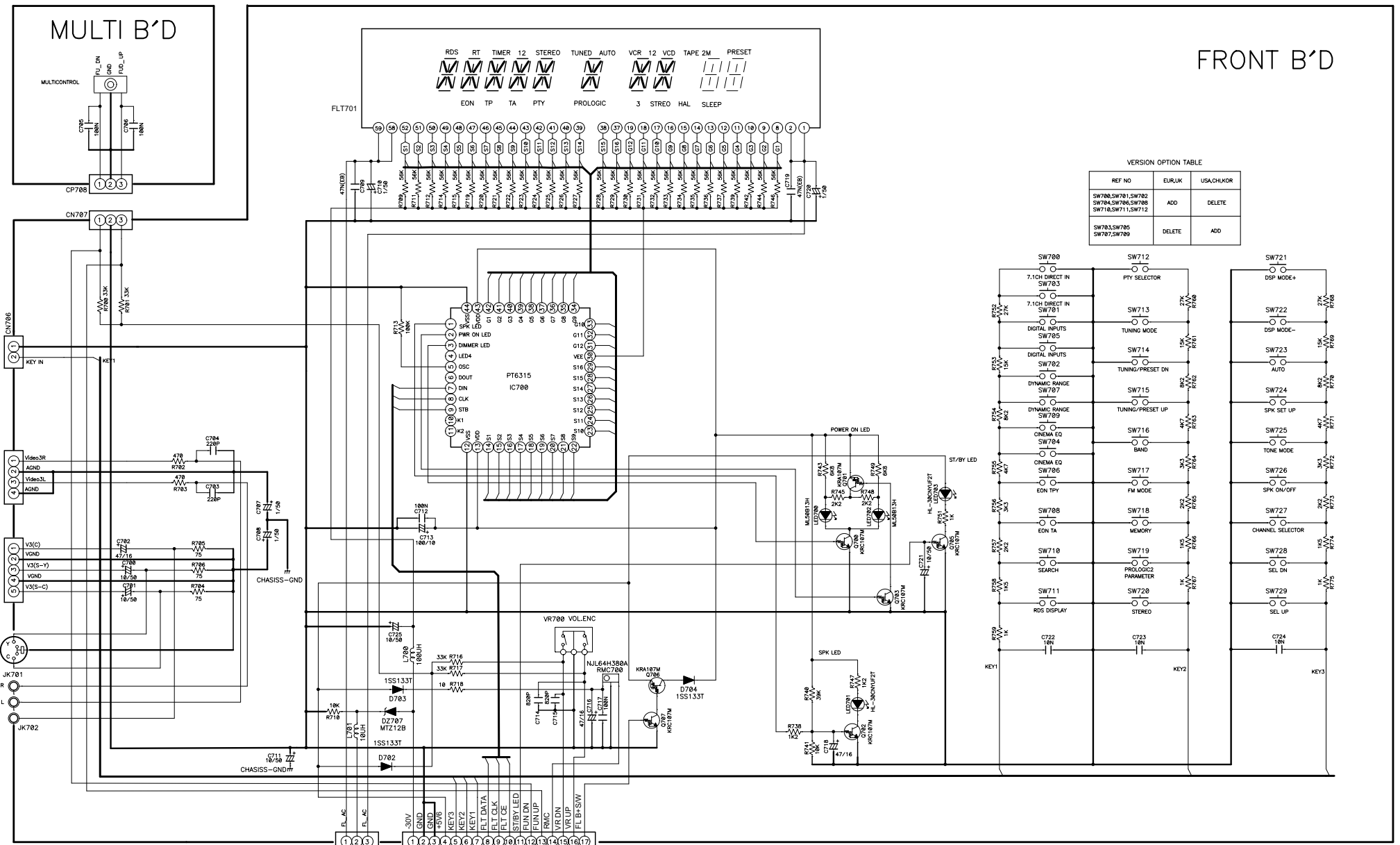


AG-15D/AG-7D
AV Digital Home Theater Receiver

TEAC SCHEMATIC DIAGRAM AG-15D/AG-7D ST/BY SW PCB, MULTI PCB, FRONT PCB, HP PCB, ST/BY PCB, POWER SW PCB

1 2 3 4 5 6 7 8

A
B
C
D
E

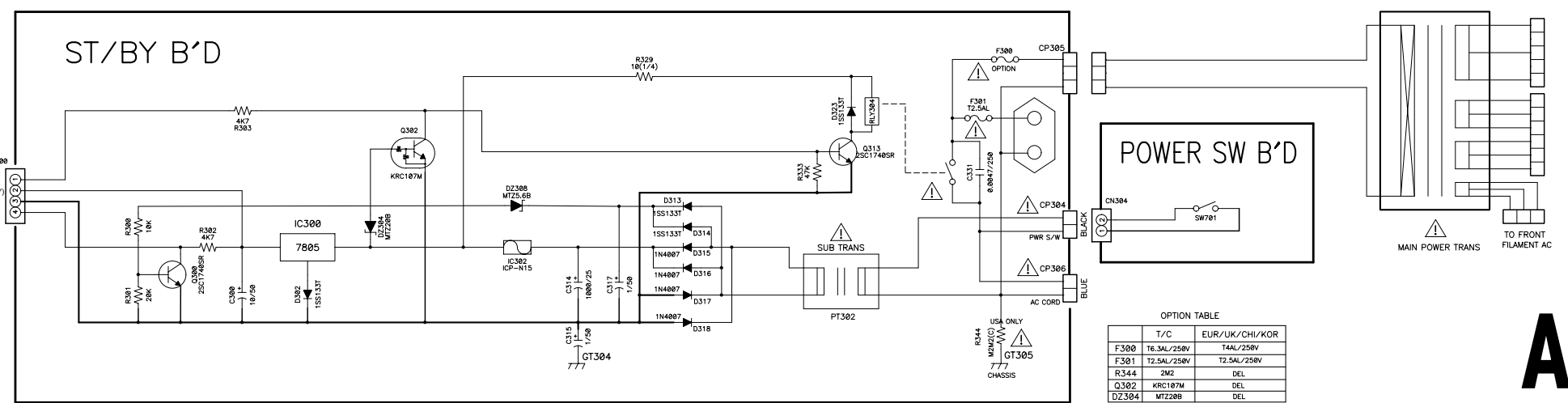


NOTES

- Resistor values are indicated in ohms unless otherwise specified
[k = 1,000 m = 1,000,000]
- Capacitor values are indicated in microfarads unless otherwise specified.
[p = micro-microfarads]
- : These resistor are to be segregated from printed wiring board or other accessible parts.

CAUTION
Safety precaution to be followed during servicing

- Since those parts marked with are critical parts for safety, use only the one described in the parts list
- Before returning the set to the customer make appropriate leakage current or resistance measurements to determine the exposed parts are properly insulated from the supply circuit.



OPTION TABLE

T/C	EUR/UK/CHI/KOR
F300	T4L/250V
F301	T2.5AL/250V
R344	2M2 DEL
Q302	KRC107M DEL
DZ304	MTZ20B DEL

AG-15D/AG-7D

AV Digital Home Theater Receiver