

TEAC

SERVICE MANUAL

AG-H500

AM/FM STEREO RECEIVER

NOTES

- PC boards shown are viewed from parts side.
- The parts with no reference number or no parts number in the exploded views are not supplied.
- As regards the resistors and capacitors, refer to the circuit diagrams contained in this manual.
- \triangle Parts marked with this sign are safety critical components. They must be replaced with identical components—refer to the appropriate parts list and ensure exact replacement.
- Parts of [] mark can be used only with the version designated.
[DM]:JAPAN [E]: EUROPE [C]: CSA

CONTENTS

SPECIFICATIONS	2
MEASUREMENTS AND ADJUSTMENTS	4
ADJUSTMENT POINT	6
IC PIN FUNCTION	8
WIRING DIAGRAM	11
BLOCK DIAGRAM	15
SCHEMATIC DIAGRAM	21
PRINTED CIRCUIT BOARDS	29
EXPLODED VIEW	33
ELECTRICAL PARTS LIST	36

Specifications

AMP Section

Power output	: 40W+40W (8 Ω , 1kHz, 0.1%)
Total harmonic distortion	: 0.05% (40W, 1kHz, 8 Ω)
S/N Ratio(inout Short)	:
Phono	: 65dB(IHF-A)
CD, Tuner, Aux, Tape	: 92dB(IHF-A)
Input Sensitivity/Impedance:	
Phono(MM)	: 2.5mV/47k Ω
CD, Tuner, Aux, Tape	: 200mV/47k Ω
Maximum Input Level	:
Phono	: 45mV
CD, Tuner, Aux, Tape	: 4.5V
Channel Separation	: 56dB
(Input Short)	(1kHz, 1W, B.P.F)
Residual noise	: 0.6mV
Frequency response	: 5Hz to 85kHz
Tone control	:
Bass	: \pm 10dB(100Hz)
Treble	: \pm 10dB(10kHz)
Required speaker impedance	: 8 Ω to 16 Ω

General

Power Requirements	: 230V AC, 50Hz[EUR] 100V AC, 50Hz[DM] 120V AC, 60Hz[CSA/TW]
Power Consumption	: 100W[EUR] 75W[DM] 90W[CSA/TW]
Dimensions(W×H×D)	: 285×131×352
Weight(net)	: 6Kg

FM Section

Tuning Range	: 87.50MHz~108.00MHz (50kHz steps)[EUR/TW] 76.0MHz~90.0MHz (100kHz steps)[DM] 87.50MHz~108.00MHz (100kHz steps)[CSA]
Usable Sensitivity(IHF)	: Mono:15dBf
50dB Quieting Sensitivity	:
Mono	: 30dBf
Stereo	: 40dBf
Image Rejection Ratio	: 40dB
Frequency Response	: 30Hz~15kHz +0.5dB/-3dB
Distortion(at 50dB μ V)	:
Mono	: 0.4%
Stereo	: 0.5%
Signal-to-Noise Ratio(at 65dBf, 1kHz)	:
Mono	: 65dB
Stereo	: 60dB
AM suppression Ratio	: 50dB
Stereo Separation(1kHz)	: 30dB

AM Section

Tuning Range	: 522kHz~1620kHz (9kHz steps)[EUR/DM/TW] 530kHz~1720kHz (10kHz steps)[CSA]
Usable Sensitivity	: 55dB/m
Image Rejection Ratio	: 35dB
Distortion	: 1.5%(at 85dB/m)
Signal-to-Noise Ratio	: 35dB(at85dB/m)

Standard accessories

Remote control unit	: 1
Operator's manual	: 1
AM Loop Antenna	: 1
FM Antenna	: 1

■ ALIGNMENT INSTRUCTIONS

EQUIPMENT NEEDED:

AM Signal Generator
FM Signal Generator
Oscilloscope
VTVM(AC, DC)
Test loop antenna (AM Adjustment)
Dummy antenna (FM Adjustment)
Stereo signal modulator (RDS IN)
Frequency counter
Distortion analyser

IMPORTANT

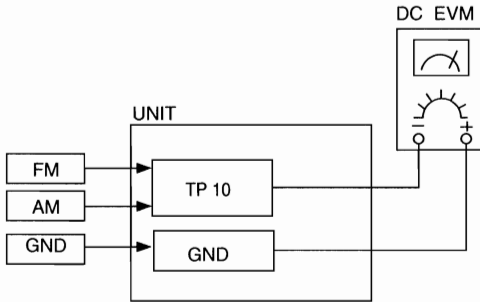
1. Check power-source voltage.
2. Set the function switch to band aligned.
3. Keep the signal input as low as possible to adjust accurately.
4. Modulation and modulation frequency.

Band \ Item	Modulation	Modulation frequency
AM	30%	400Hz
FM	100%(75kHz Dev.)	400Hz

MEASUREMENTS AND ADJUSTMENTS

1. TUNING FREQUENCY RANGE ADJUSTMENTS

(FM,AM) DC VOLTMETERCONNECT TO TEST POINT TP01 and GND



[EUR/TW]

No	Band	Frequency	Adjust for	Adjustment
1	FM	87.50MHz	1.5V	L7
2	AM	522kHz	1V	L105

[DM]

No	Band	Frequency	Adjust for	Adjustment
1	FM	76.0MHz	2.0V	L7
2	AM	522kHz	1V	L105

[CSA]

No	Band	Frequency	Adjust for	Adjustment
1	FM	87.50MHz	1.5V	L7
2	AM	520kHz	1V	L105

2. AM TRACKING ADJUSTMENTS

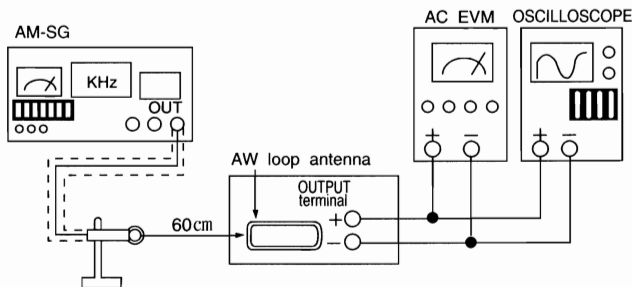
Signal GeneratorConnects to the AM Ant. Coil through the loop antenna.
Adjust for the indication of VTVM of the wave form of scope to be maximum.

[EUR/DM/TW]

BAND	Step	Frequency	Adjust for	Adjustment
AM	1	612kHz	Maximum sensitivity	L104, T100
	2	1503kHz	Mzximum sensitivity	CT11
	3	Repeat steps 1 and 2 several times		

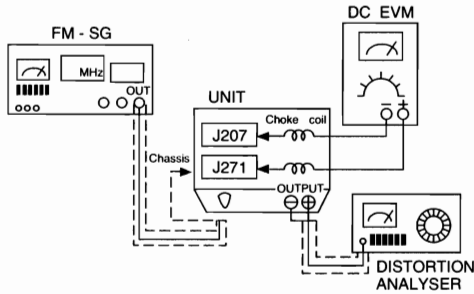
[CSA]

BAND	Step	Frequency	Adjust for	Adjustment
AM	1	610kHz	Maximum sensitivity	L104, T100
	2	1510kHz	Mzximum sensitivity	CT11
	3	Repeat steps 1 and 2 several times		



3. FM MONO DISTORTION ADJUSTMENT

- DC VOLT METER Connect to TP03(-), TP04(+) Through the choke coll (100 μ H)
 Signal Generator Connect to FM ANT Jack (FM IN) through the dummy.
 Distortion Meter Connect to the output



[EUR]

No	Frequency	Adjust for	Adjustment
1	100.10MHz	DC Voltmeter 0V	T101
2	100.10MHz	Minimum T. H. D	T102
3	Repeat steps 1 and 2 Several times.		

[DM]

No	Frequency	Adjust for	Adjustment
1	83.1MHz	DC Voltmeter 0V	T101
2	83.1MHz	Minimum T. H. D	T102
3	Repeat steps 1 and 2 Several times.		

4. FM/AM AUTO STOP LEVEL ADJUSTMENT

- FM SIGNAL GENERATOR Connec to FM ANT Jack(FM IN)through the dummy
 AM SIGNAL GENERATOR Connect to AM ANT, Coil through the Loop antenna

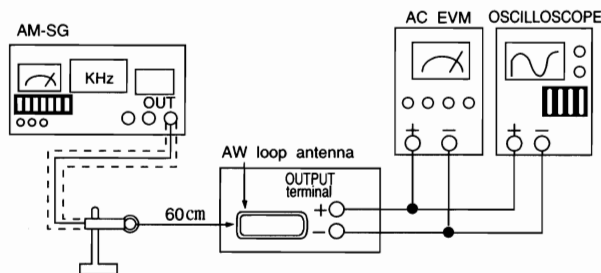
[EUR/CSA/TW]

BAND	STEP	SIGNAL GENERATOR	Adjust for	Adjustment
FM	1	100.1MHz 30dB	<input type="checkbox"/> TUNED Display OFF	VR03
	2	100.1MHz 30dB	<input type="checkbox"/> TUNED Display ON	VR03
AM	1	990kHz 80dB	<input type="checkbox"/> TUNED Display OFF	VR04
	2	990kHz 80dB	<input type="checkbox"/> TUNED Display ON	VR04

[DM]

BAND	STEP	SIGNAL GENERATOR	Adjust for	Adjustment
FM	1	83.1MHz 30dB	<input type="checkbox"/> TUNED Display OFF	VR03
	2	83.1MHz 30dB	<input type="checkbox"/> TUNED Display ON	VR03
AM	1	990kHz 80dB	<input type="checkbox"/> TUNED Display OFF	VR04
	2	990kHz 80dB	<input type="checkbox"/> TUNED Display ON	VR04

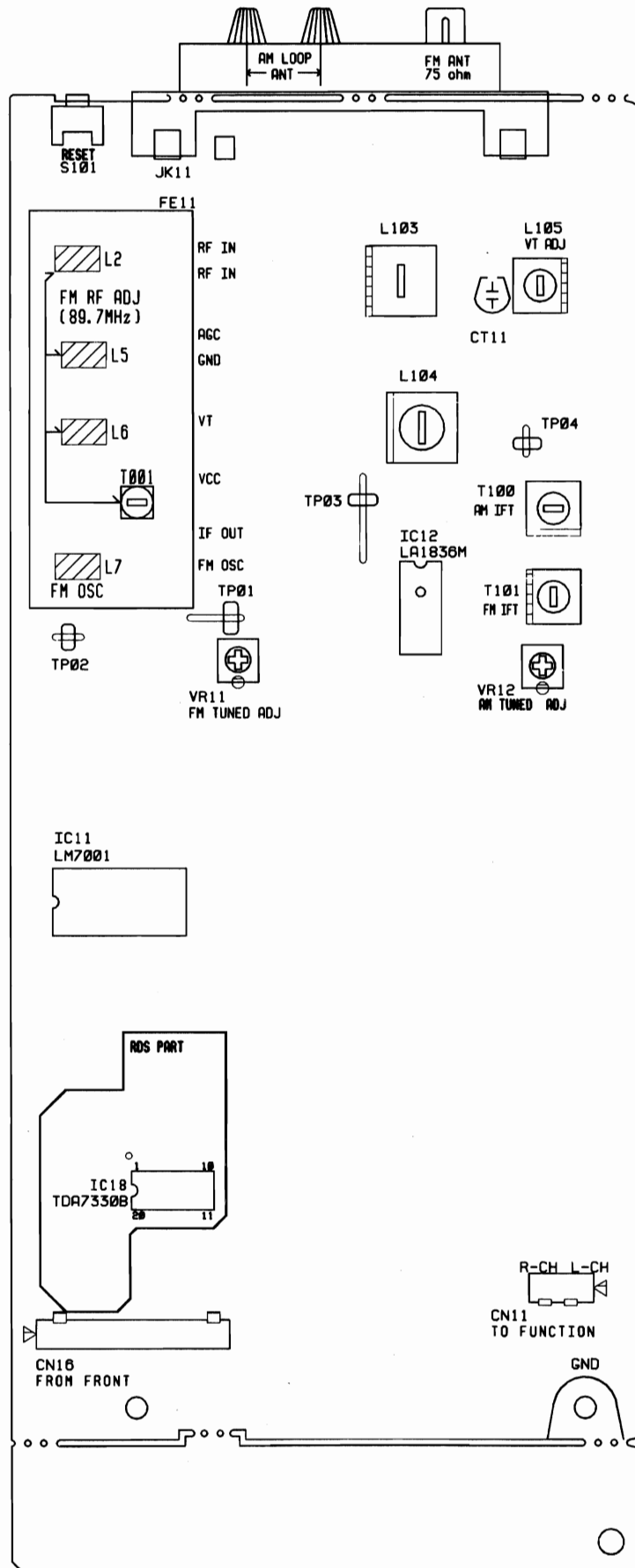
5. AM STEREO SEPARATION [DM]



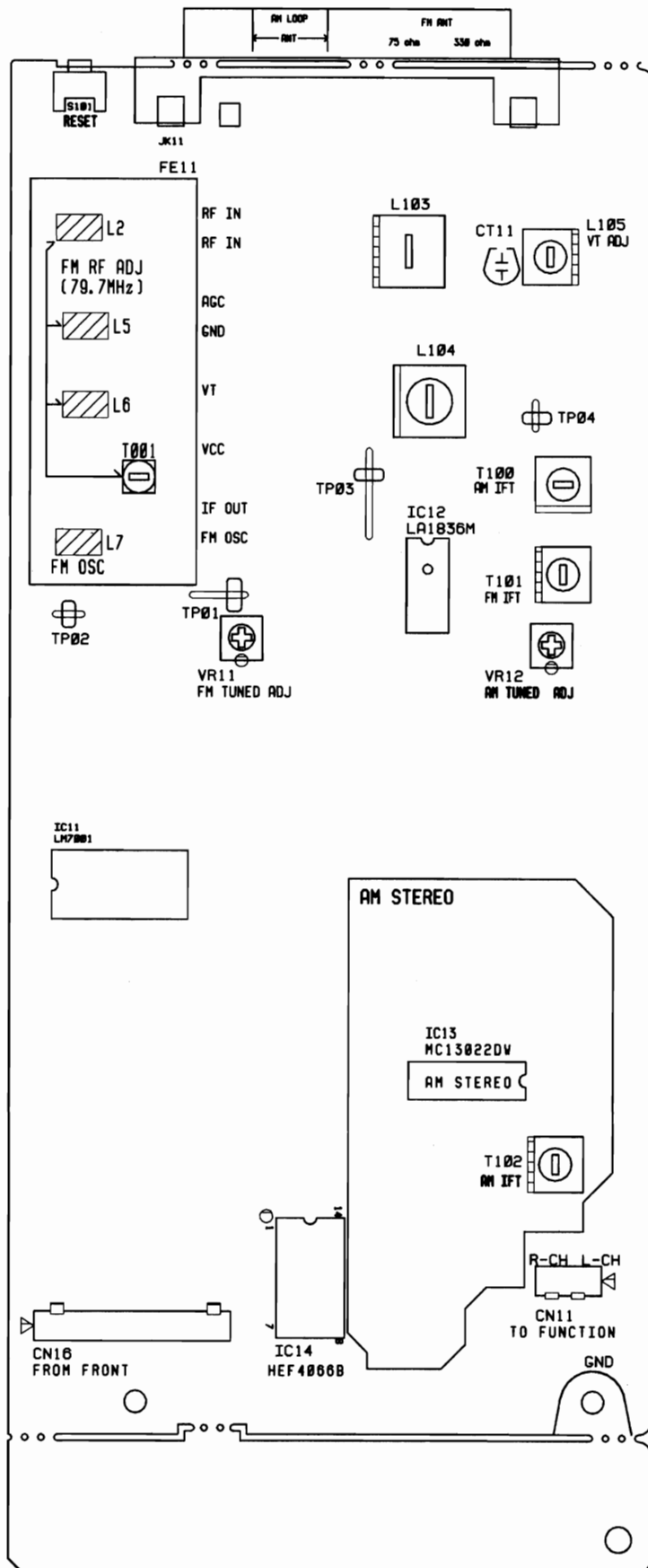
Pilot Signal	Adjust for	Adjustment
ON	Different of R and L must be maximum	T100

NOTE : In case of adjusting the stereo separation, of input is L(or R) channel, R(or L) channel must be maximum

ADJUSTMENT POINT (EUR)



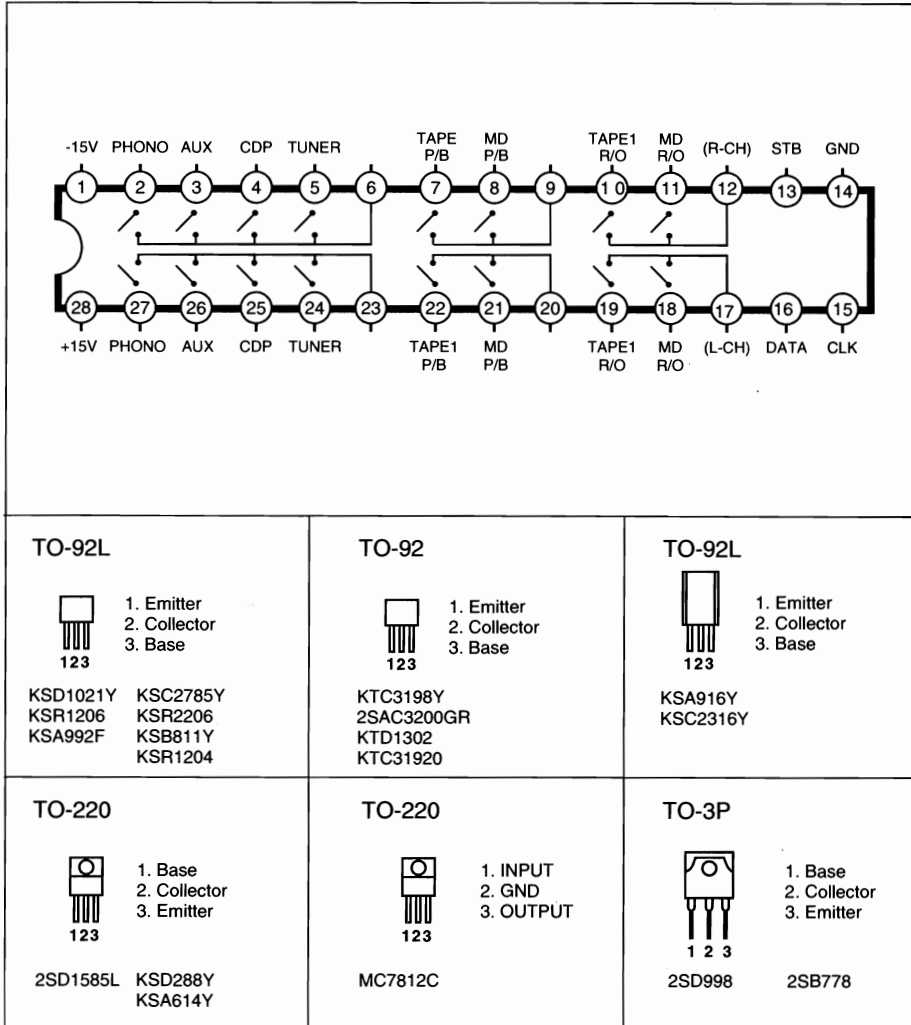
ADJUSTMENT POINT (DM)



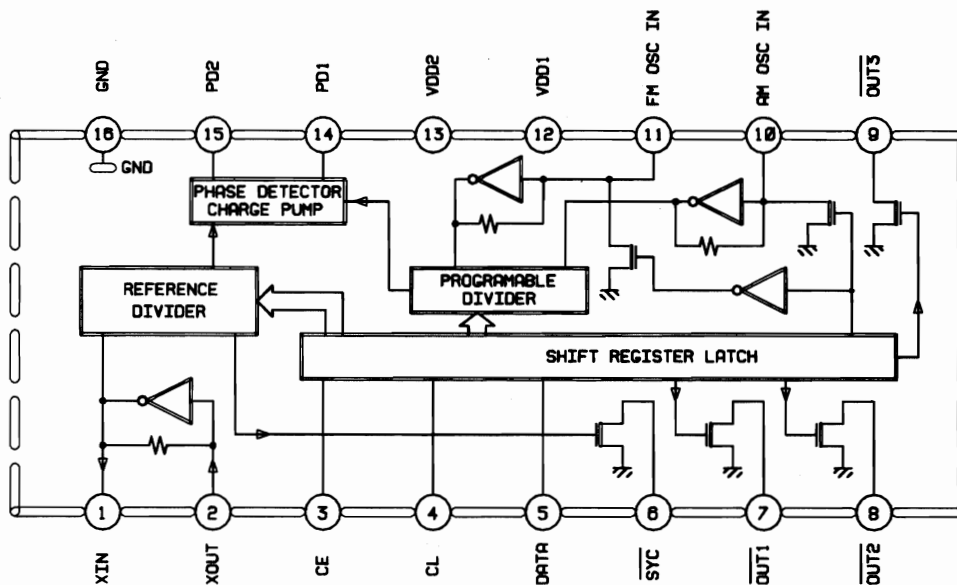
IC Function (Micom BVIANAM 1243M, BVITMP87PM78F)

PIN NO.	SYMBOL	I/O	DESCRIPTION
1	Vdd	I	+5V
2	NC		NO Connection
3	Func, Mute	O	Function Mute ON/OFF Output
4	NC		No Connection
5	Tuner-Mute	O	Tuner Mute Output
6	Stereo/Mono	O	Stereo/Mono Switching Output
7-9	Func, Indicator	O	Function LED Drive Data Output
10	NC		No Connection
11	RDS-DATA	I	RDS DATA Output
12	FM-L	I	FM/AM Switching Output
13	RDS-CLK	I	RDS CLOCK input
14	Stereo-IN	I	Stereo Display input
15	Tuned-IN	I	Tuned Display input
16	Protect-IN	I	Protection input
17-21	Key Input	I	Resistor Divide Key Control Input
22	Vss		GND
23	Vass		GND
24	Varef		Vdd(+5V)
25	Vdd		+5V
26	Back-up	I	Backup Mode Control
27	Vss		GND
28-29	Func. Up/Down	I	Function UP/DOWN Input
30	Vss		GND
31	XIN	I	Crstal element Connection Terminal
32	XOUT	O	Crstal element Connection Terminal
33	RESET	I	RESET Input
34	Remote-In	I	Remote Control Data Input
35	BUS OUT	O	System Control Signal Output
36	BUS IN	I	System Control Signal Input
37	SPK ON/OFF	O	Speaker ON/OFF Output
38	NC		NO Connection
39	-20dB Mute	O	-20dB Mute Output
40	NC		No Connection
41	PLL CE	O	PLL Serial Chip Enable Output
42	PLL DATA	O	PLL Serial Data Output
43	PLL CLK	O	PLL Serial CLOCK Output
44	Option	O	Amp/Receiver Option
45	NC		No Connection
46	STB	O	Function IC Signal Output
47	DATA	O	Function IC Signal Output
48	CLK	O	Function IC Signal Output
49	NC		No Connection
50	Vkk		FIP Voltage Output
51-61	FIP GRID	O	FIP GRID Output
62-82	FIP ANODE	O	FIP ANODE Output
83-85	Option	O	Region Option
86	Option	O	Display Option
87	RDS	O	RDS ON/OFF Option
88	Model Option	O	Model Option
89	Standby	O	Standby/Direct Option Output
90	VOL UP	O	VOL UP
91	VOL DOWN	O	VOL DOWN
92	VOL LED	O	VOL LED Display
93	Power ON/Off	O	Power ON/Off Output
94	Standby LED	O	Standby LED ON/Off Output
95-100	NC		No Connection

IC BLOCK DIAGRAM

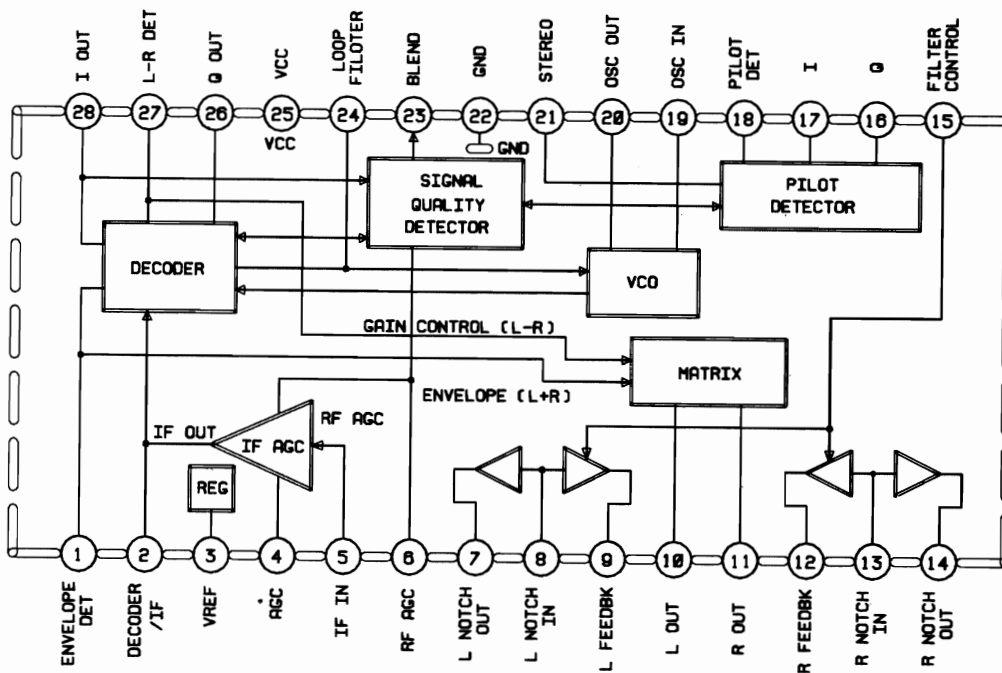


LM7001 PLL

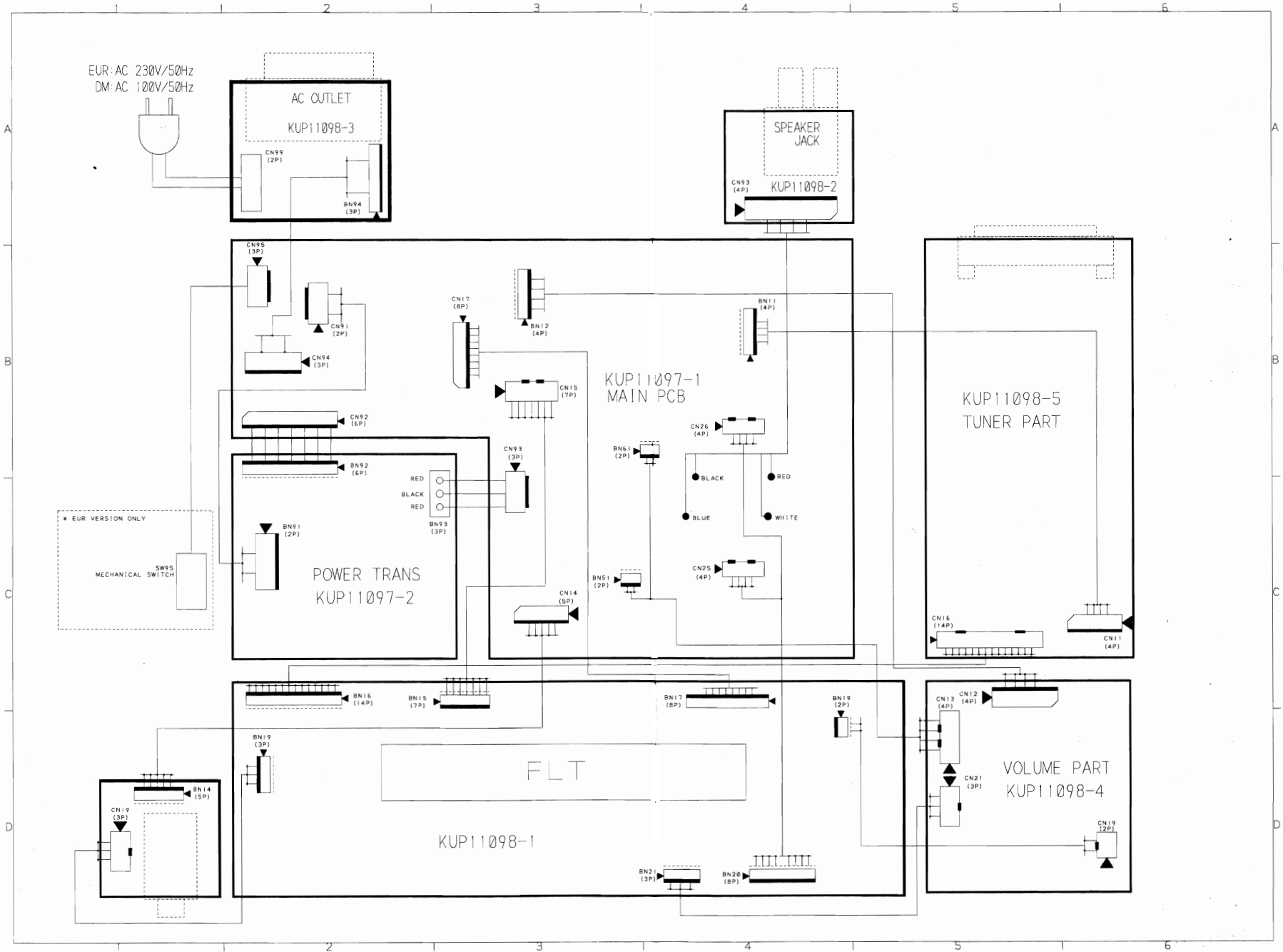


MC 13022DW

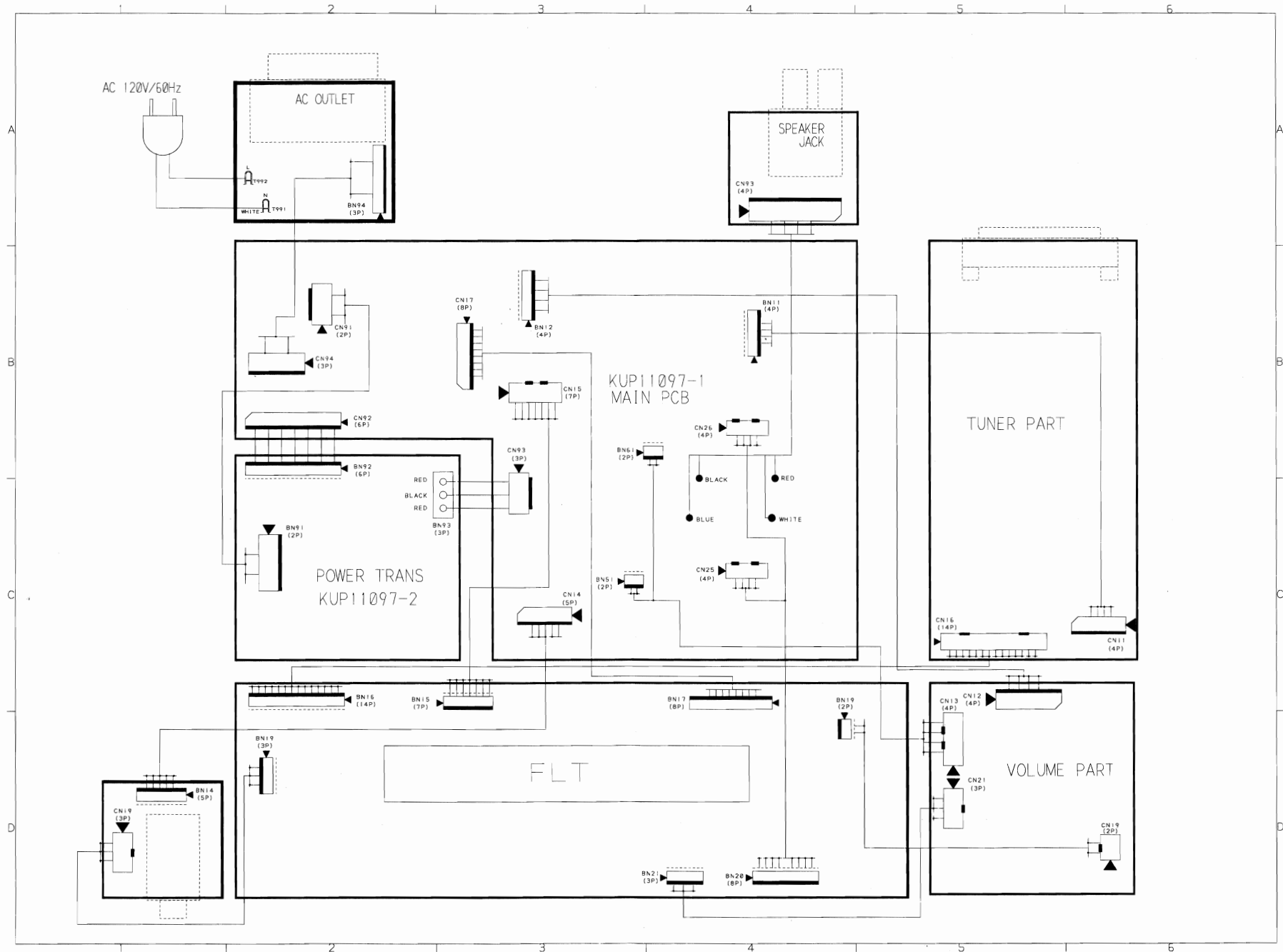
AM STEREO DECODER



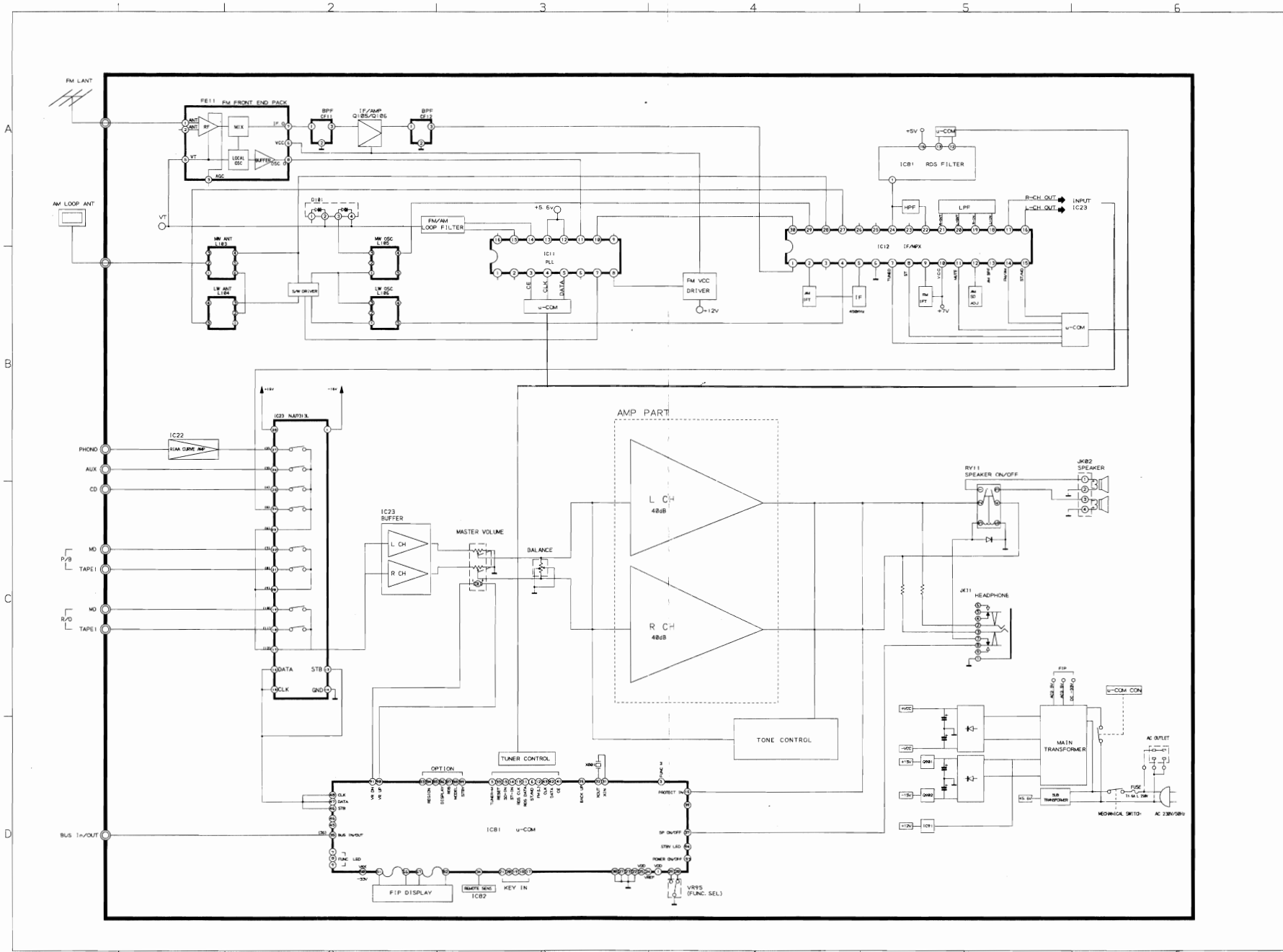
WIRING DIAGRAM (EUR) (DM)



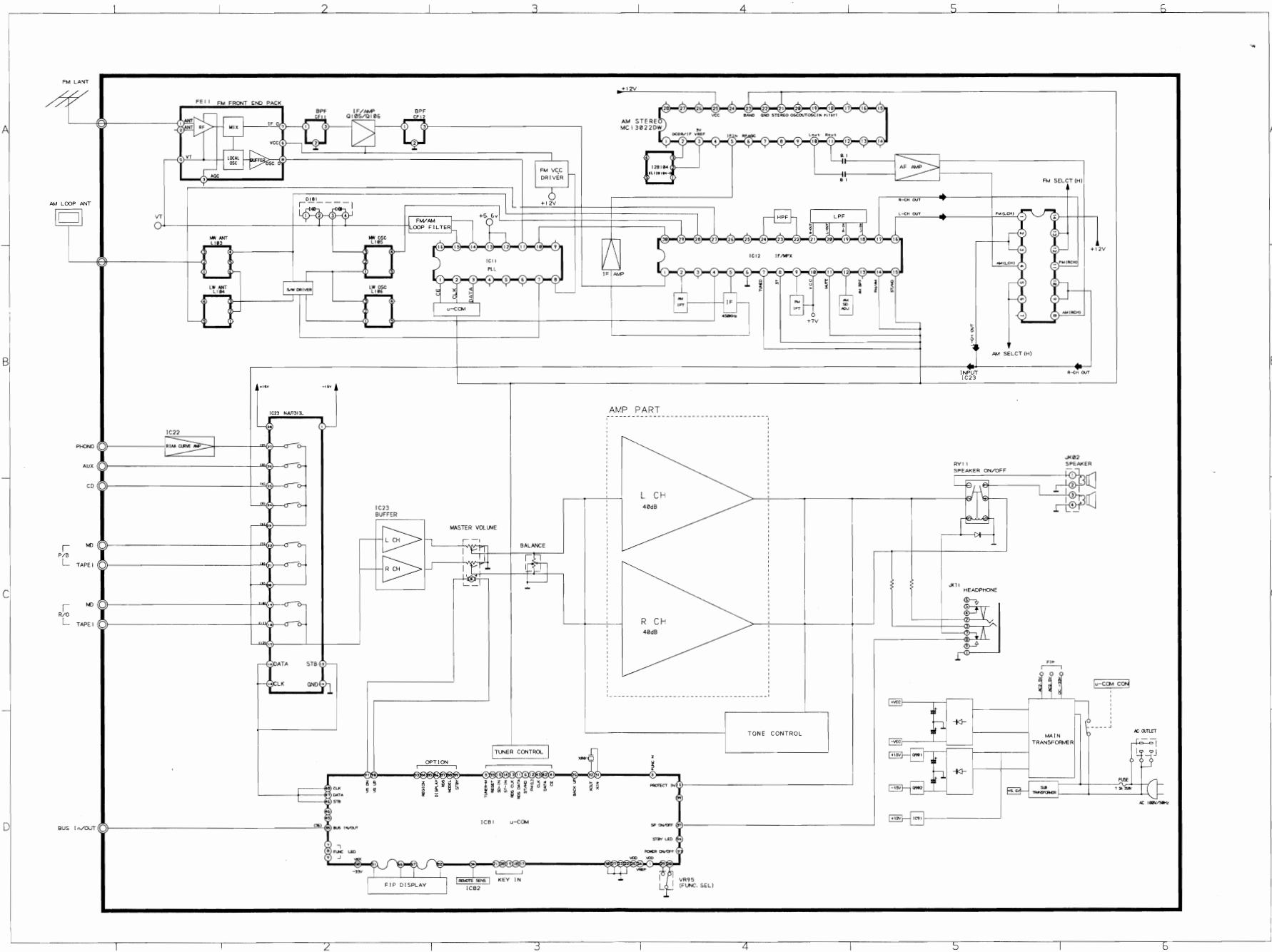
WIRING DIAGRAM (CSA/TW)



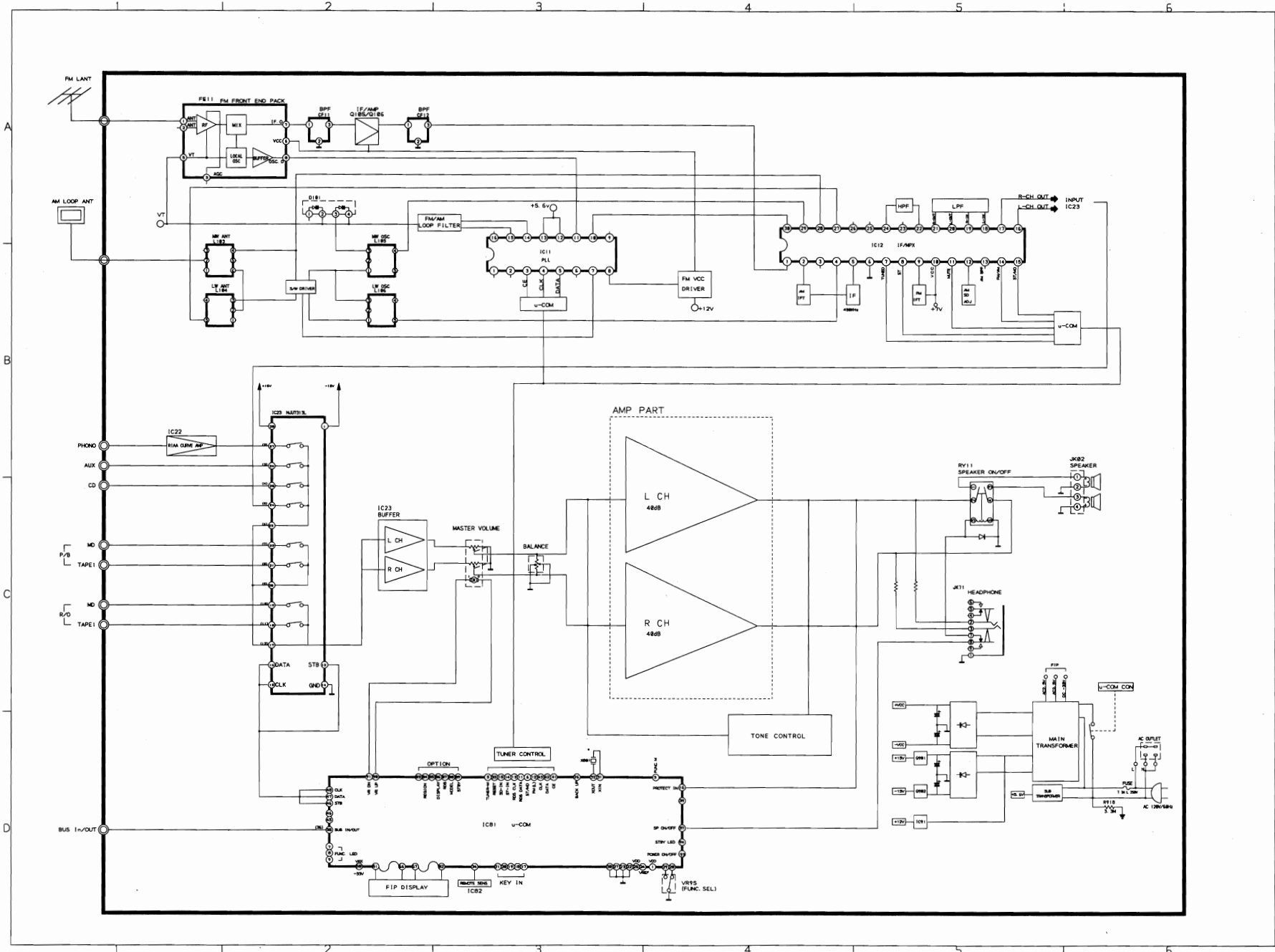
BLOCK DIAGRAM (EUR)



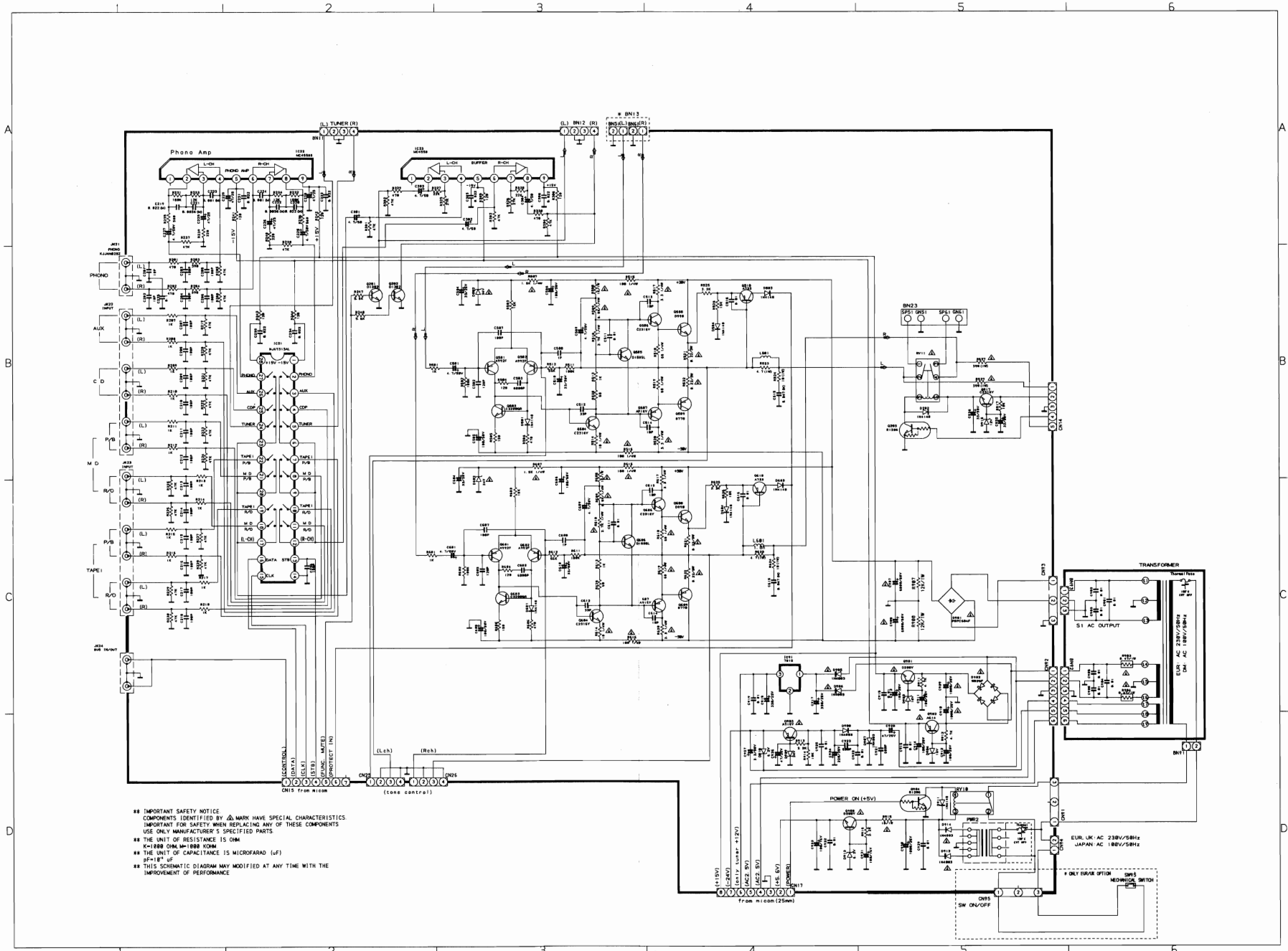
BLOCK DIAGRAM (DM)



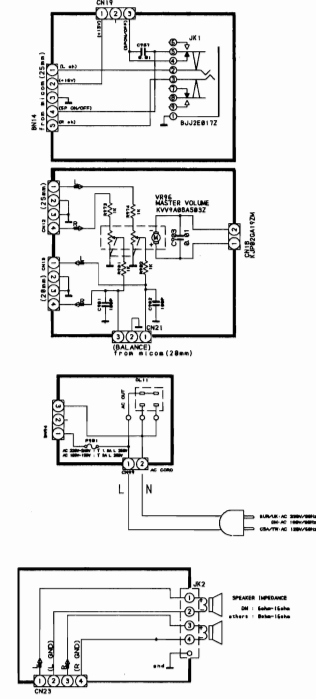
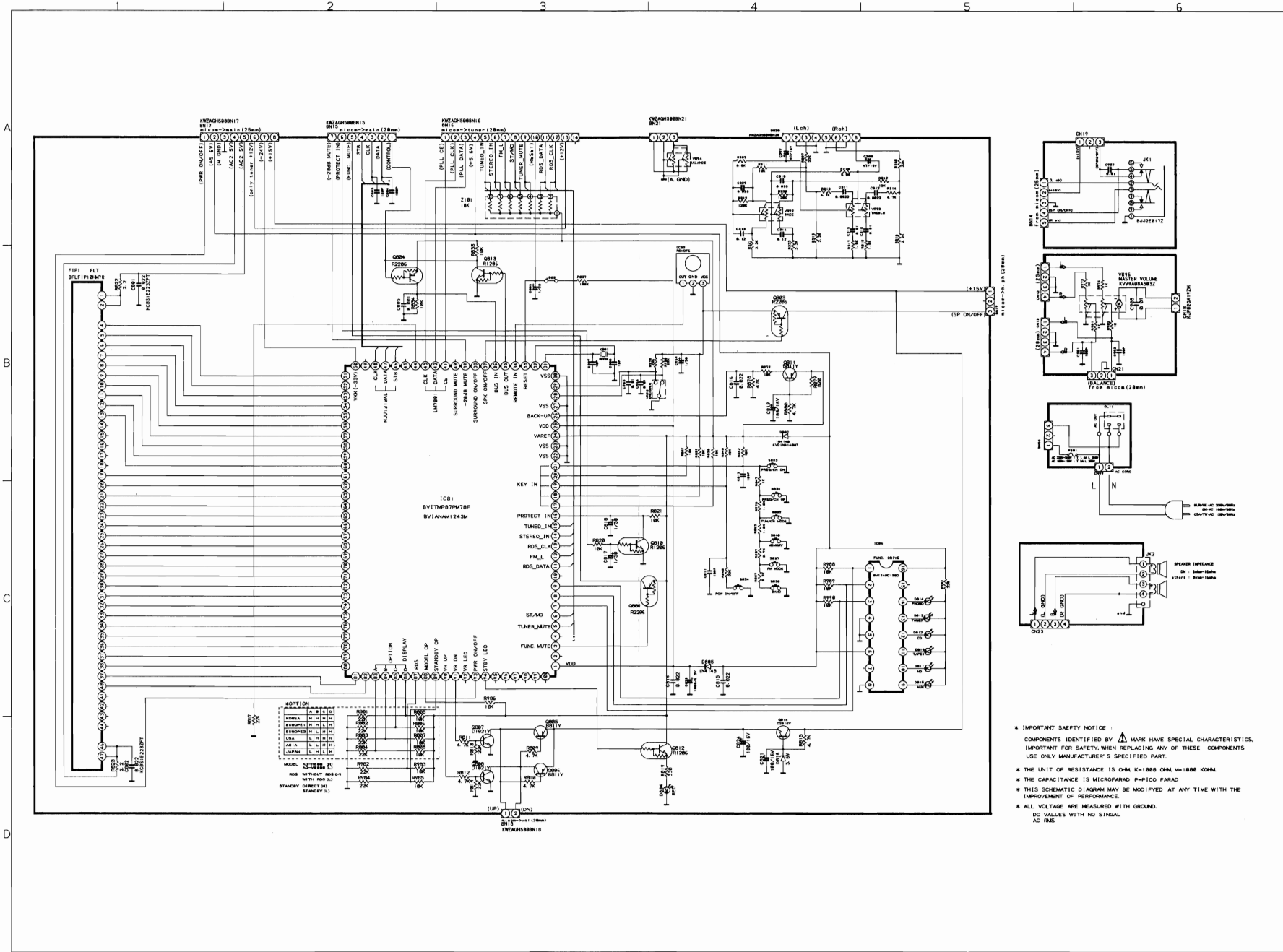
BLOCK DIAGRAM (CSA/TW)



SCHEMATIC DIAGRAM (EUR) (DM)

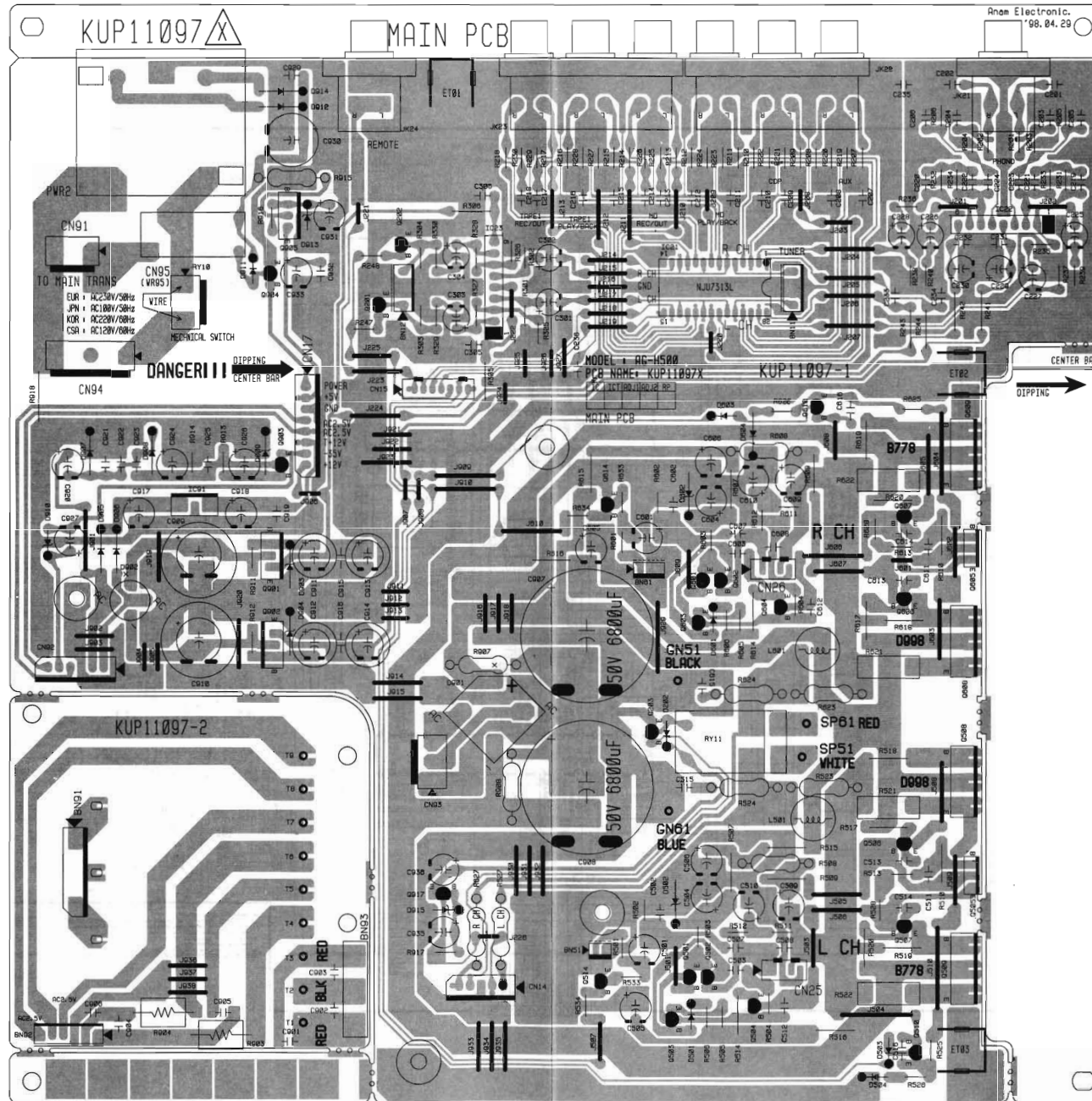


** IMPORTANT SAFETY NOTICE:
 COMPONENTS IDENTIFIED BY Δ MARK HAVE SPECIAL CHARACTERISTICS
 IMPORTANT FOR SAFETY WHEN REPLACING ANY OF THESE COMPONENTS
 USE ONLY MANUFACTURER'S SPECIFIED PARTS
 ** THE UNIT OF RESISTANCE IS OHM
 K=1000 OHM=1000 OHM
 ** THE UNIT OF CAPACITANCE IS MICROFARAD (μ F)
 M=10⁶ μ F
 ** THIS SCHEMATIC DIAGRAM MAY MODIFIED AT ANY TIME WITH THE
 IMPROVEMENT OF PERFORMANCE

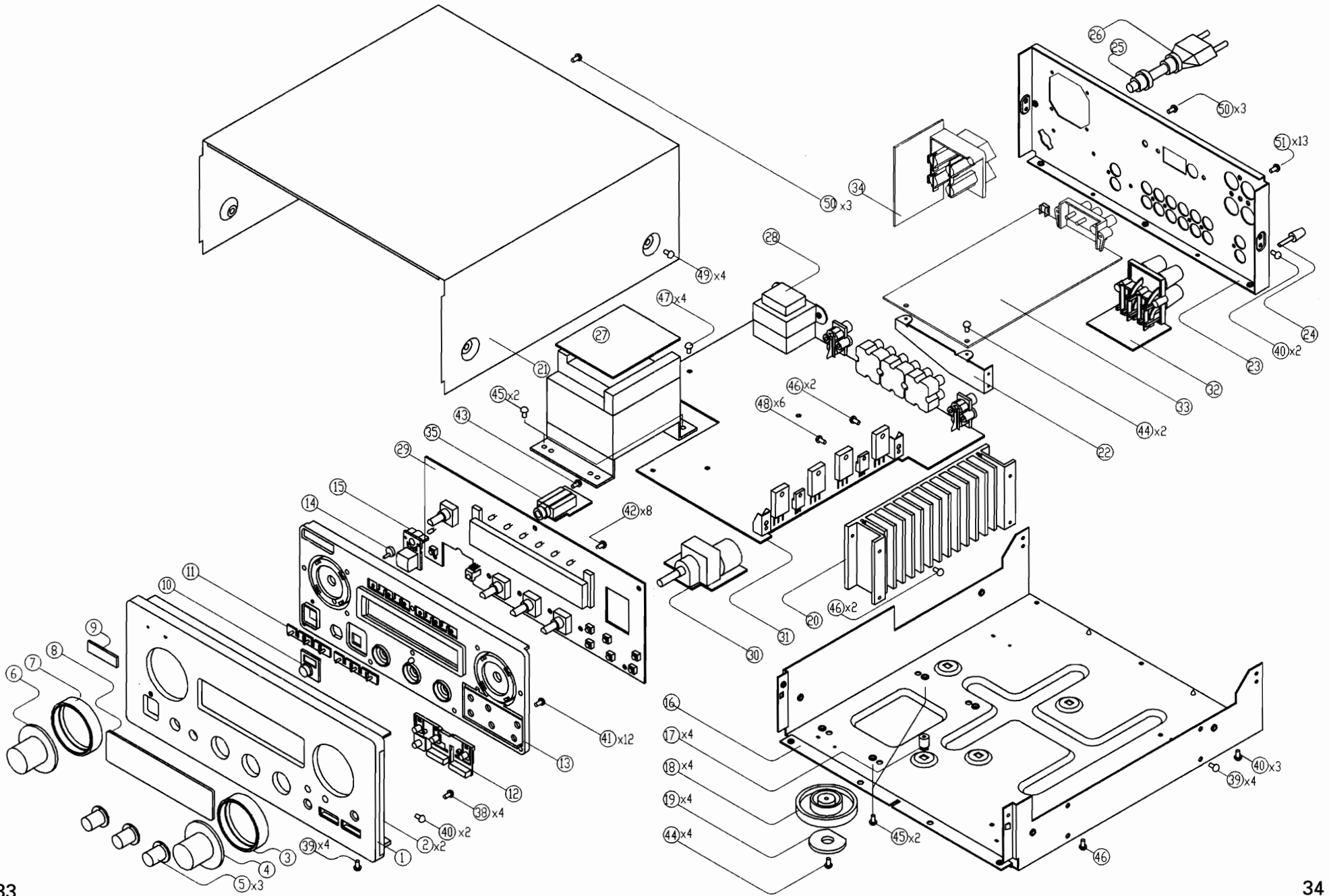


* IMPORTANT SAFETY NOTICE :
 COMPONENTS IDENTIFIED BY Δ MARK HAVE SPECIAL CHARACTERISTICS.
 IMPORTANT FOR SAFETY, WHEN REPLACING ANY OF THESE COMPONENTS,
 USE ONLY MANUFACTURER'S SPECIFIED PART.
 * THE UNIT OF RESISTANCE IS Ω M, K=1000 Ω M, M=1000 K Ω M.
 * THE CAPACITANCE IS MICROFARAD (P=1000 FARAD)
 * THIS SCHEMATIC DIAGRAM MAY BE MODIFIED AT ANY TIME WITH THE
 IMPROVEMENT OF PERFORMANCE.
 * ALL VOLTAGE ARE MEASURED WITH GROUND.
 DC VALUES WITH NO SIGNAL
 AC RMS

PRINTED CIRCUIT BOARDS



EXPLODED VIEW



EXPLODED VIEW PARTS LIST

Ref. No.	Part No.	Description	Remarks
1	9A06907100	PANEL, AL	
2	9A06677600	SIDE BAR	
3	9A06697200	HOUSING, VOLUME A4-96-2578	
4	9A06905800	VOLUME CAP ASS'Y	
5	9A06228400	VOLUME CAP ASS'Y (C)	
6	9A06905900	VOLUME CAP ASS'Y	
7	9A06906200	HOUSING, VOLUME	
8	9A06240500	WINDOW	
9	9A06224200	BADGE, TEAC	
10	9A06227600	SENSOR, WINDOW	
11	9A06905500	INDICATOR	
12	9A06904600	KNOB, TACT	
13	9A06905700	PANEL, MOLD	
14	9A06227400	INDICATOR, POWER	
15	9A06314500	KNOB, POWER	
16	9A06908600	CHASSIS, BOTTOM	
17	9A06229100	MOUNT, PCB A4-92-1728	
18	9A06315500	FOOT	
19	9A06229300	CUSHION, FOOT	
20	9A06907500	SINK, HEAT	
21	9A06698000	CABINET, TOP	
22	9A06907300	BRACKET, PCB	
23	9A06907000	PANEL, REAR	
24	9A05917200	GROUND TERMINAL	
25	9A01376900	BUSHING, AC CORD HEYCO (SR-)	
26	9A05328100	CORD, POWER	
27	-	POWER TRANS	
28	-	SUB TRANS	
29	-	FRONT PCB	
30	-	WOLUME MOTOR	
31	-	MAIN PCB	
32	-	SPEAKER PCB	
33	-	TUNER PCB	
34	-	OUTLET PCB	
35	-	HEADPHONE PCB	
38	9A06229000	SCREW, SPECIAL	
39	9A01397400	SCREW KTS3+8J	
40	9A01532600	SCREW KTB3+6J	
41	9A06234700	SCREW KTW3+6F	
42	9A01377400	SCREW, KTB3+10G	
43	9A01377600	SCREW, KTWS3+10G	
44	9A05339200	SCREW KTW3+8J	
45	-	SCREW KTB4+8F	
46	9A01535800	SCREW, KTB3+8J	
47	-	SCREW KTB3+14J	
48	9A01377500	SCREW	
49	9A05984300	SCREW KTB4+6FFZ	
50	9A01377200	SCREW KTB3+8JFZ	
51	9A01377300	SCREW, KTB3+10GFZ	

ELECTRICAL PARTS LIST

Ref. No.	Part No.	Description	Ref. No.	Part No.	Description
	9A06907820	SUB PCB ASS'Y	C117, C130	9A06694900	CE, 10UF H 35V DC
	9A06907830	SUB PCB ASS'Y	C144, C153	9A06694900	CE, 10UF H 35V DC
	9A06907800	SUB PCB ASS'Y	C164, C165	9A06694900	CE, 10UF H 35V DC
	9A06908800	PCB, SUB	C191	9A06694900	CE, 10UF H 35V DC
BN20	9A06909800	WIRE ASS'Y	C118, C156	9A06694000	CE, 0.47UF H 50V DC
BN21	9A06909900	WIRE ASS'Y	C121	9A06694500	CE, 4.7UF H 50V DC
CN11, CN13	9A05356300	WAFER 04GA19ZM	C155	9A06694700	CAP, ELECT KCEA1HKS1R0T
CN12	9A05329300	WAFER MOLEX 5267-04A	C175	9A05318800	CC, 1000PF K B 50V
CN16	9A06906800	WAFER	C110, C142	9A06694100	CE, 1.0UF H 50V DC
CN18	9A06250600	WAFER	C149, C177	9A06694100	CE, 1.0UF H 50V DC
CN19, CN21	9A05938500	WAFER (3P)	C194	9A06694100	CE, 1.0UF H 50V DC
CN23	9A06906700	WAFER	C166, C167	9A06869000	CAP, ELECT A1HQ4R7T
CN99	9A06538200	WAFER SYFW800-02P	C162, C163	9A06766600	CQ, 0.0027UF J 50V
C307, C308	9A06904800	CAP, ELECT ACKS470T	C160, C161	9A06766500	CQ, 0.027UF J 50V
C806, C964	9A06694700	CAP, ELECT KCEA1HKS1R0T	C105	9A06696200	CQ, 0.047UF J 50V
C817, C818	9A06694700	CAP, ELECT KCEA1HKS1R0T	C168, C169	9A06696200	CQ, 0.047UF J 50V
C819, C821	9A06693400	CAP, ELECT KCEA1CKS101T	D102-D104	9A01390500	DIODE, 1N4148MT
C824	9A06693400	CAP, ELECT KCEA1CKS101T	D101	9A06767400	D, SVC342LT
C820	9A06763200	CE, 1000UF H 6.3V DC	ET11	9A05961500	PLATE, EARTH
C309, C310	9A06905400	CAP, MYLAR SMALL B1H333JZT	FE11	9A05938700	TUNER, PACK
C311, C312	9A06905300	CAP, MYLAR SMALL B1H222JZT	FIP1	9A06672600	F.I.P BFLFIP10HM7R
C313, C314	9A06905200	CAP, MYLAR SMALL B1H124JZT	IC12	9A06767500	IC, LA1836M
C315, C316	9A06905100	CAP, MYLAR SMALL B1H103JZT	IC13	9A06258500	I.C, AM STEREO MC13022DW
D805, D807	9A01390500	DIODE, 1N4148MT	IC18	9A06786600	IC, TDA7330BD
D816	9A06765300	DIODE, MTZJ5.6BT	IC81	9A06786000	IC, TMP87PM78F
D804	9A05195000	LED, RED SLR342VCF02	IC84	9A06904500	IC, 74HC138D
D810-D815	9A05890300	LED, YELLOW SLR342VCF02	IC11	9A04323300	IC, LM7001
Q803, Q804	0A03745200	TR, KSR2206TA	IC14	9A07006400	IC, HEF4066BP
Q809	9A03745200	TR, KSR2206TA	IC82	9A06757900	IC, PNA4612M00HB
Q805, Q806	9A03747300	TR, KSB811-YTA	JK01	9A05316900	JACK HTJ064-058G
Q811	9A03747300	TR, KSB811-YTA	JK02	9A06677000	TERMINAL SP
Q807, Q808	9A03711700	TR, KSD1021-YTA	JK11	9A04875900	TERMINAL, ANT DC-D2100
Q810	9A05196900	TR, KSR1206TA	JK11	9A06259400	TERMINAL, ANT 75/300
Q812, Q813	9A05196900	TR, KSR1206TA	L104	9A06259900	COIL, AM ANT2
Q814	9A05196800	TR, KSC2316-Y-SHTA	L105	9A05332500	COIL, AM OSC 2B008Z
S824, S833	9A06671200	SW, TACT EVQ21505R	L107	9A05332600	COIL A183KWCZ
S834	9A06671200	SW, TACT EVQ21505R	L108, L109	9A04883400	COIL, DC-D2100
S837-S840	9A06671200	SW, TACT EVQ21505R	OL11	9A05895700	OUTLET, AC
T991, T992	9A06012400	TERMINAL, LUG	OL11	9A06224300	OUTLET CCT1304-0211
VR92, VR93	9A06673000	RES, VARIABLE	Q105, Q106	9A05197300	TR, KTC31920T
VR94	9A06673100	RES, VARIABLE	Q107, Q108	9A03745000	TR, KSC2785-YTA
VR95	9A06224700	VR, ENCODOR EC16B1210	Q119	9A03747200	TR, KSR1204TA
VR96	9A06237000	VOLUME, MOTOR RK6312MC282	Q111	9A05196900	TR, KSR1206TA
X801	9A05193000	SPRYSTAL, OB000E160C	Q113, Q114	9A05196900	TR, KSR1206TA
CF21	9A07006300	FILTER CERAMIC	Q112, Q118	9A03745200	TR, KSR2206TA
CT11	9A01405900	C, VARIABLE 20PF A020S12	Q120	9A05939500	TR., 2SC1740SR
C106	9A01507300	C, SEMI-CON 470PF/50V	Q121, Q122	9A05892800	TR, KTC3198YT
CF11, CF12	9A06544600	CERAMIC, FILTER	S101	9A04882400	SW, TACT DC-D2100
C113, C140	9A06693200	CE, 100UF H 16V DC	T100	9A05939400	I.F.T, AM
C151	9A06693200	CE, 100UF H 16V DC	T101	9A06762200	I.F.T, FM
C127	9A06765000	CE, 470UF H 16V DC	T102	9A06260000	I.F.T, AM 2B104-G
C176	9A06693600	CE, 47UF H 25V DC	VR11, VR12	9A06910600	WIRE ASS'Y
C170, C189	9A06878900	CAP, ELECT A1EH331T			

Ref. No.	Part No.	Description	Ref. No.	Part No.	Description
X101	9A06762300	CRYSTAL	D910, D913	9A06236200	DIODE, ZENER MTZJ6.2BT
X102	9A06762400	RESONATOR, CERAMIC	D915	9A05359600	DIODE, ZENER MTZJ12BT
X103	9A06762500	FILTER, CERAMIC	D901	9A05353100	DIODE, BRIDGE PBPC604F
X110	9A06258200	RESONATOR CSA3.60MGF103	D902	9A05987000	DIODE, BRIDGE W02GF
Z101	9A05337900	R, NETWORK SN8X103J			
	9A06906300	MAIN PCB AUTO ASS'Y	ET01-ET03	9A06252900	BRACKET, PCB
	9A06907700	MAIN PCB ASS'Y	IC21	9A06761700	IC, NJU7313L
	9A07006600	PCB MAIN	IC22, IC23	9A05195800	IC, MC4558C
BN11	9A06908900	WIRE ASS'Y	IC91	9A05196000	IC, KA7812-ABTU
BN12	9A06909000	WIRE ASS'Y	JK21	9A06906500	JACK, INPUT
BN13	9A06909100	WIRE ASS'Y	JK22, JK23	9A06674900	JACK, BOARD 4R014Z
BN23	9A06910000	WIRE ASS'Y	JK24	9A06906600	JACK REMOTER
CN14	9A05894700	WAFER (5P)	L501, L601	9A04875100	COIL, DC-D2100
CN15	9A05356500	WAFER MOLEX53014-0710	PW2	9A06675500	TRANS SUB
CN17	9A06250800	WAFER MOLEX 5267-08A	PWR2	9A06814100	TRANS SUB
CN25, CN26	9A05356300	WAFER 04GA19ZM	Q901, Q905	9A01388300	TR, KSD288-Y-AB
CN91	9A06785000	WAFER	Q902	9A01388400	TR, KSA614-Y
CN92	9A05329600	WAFER MOLEX 5267-06A	Q201, Q202	9A05197500	TR, KTD1302T
CN93	9A06759300	WAFER	Q203, Q904	9A05196900	TR, KSR1206TA
CN94	9A06757700	WAFER	Q501, Q502	9A05341600	TR, KSA992-FTA
			Q601, Q602	9A05341600	TR, KSA992-FTA
			Q503, Q603	9A06236700	TR, KTC3200GRT
			Q504, Q506	9A05196800	TR, KSC2316-Y-SHTA
			Q604, Q606	9A05196800	TR, KSC2316-Y-SHTA
			Q917	9A05196800	TR, KSC2316-Y-SHTA
			Q507, Q607	9A05196700	TR, KSA916-Y-SHTA
			Q903	9A05196700	TR, KSA916-Y-SHTA
			Q510, Q610	9A01387400	TR, KSA733CYT
			Q505, Q605	9A05977200	TR, ZSD1585
			Q508, Q608	9A05359800	TR, KTD9980
			Q509, Q609	9A05359700	TR, KTB7780
			R903, R904	9A05897200	RES, FUSE 0.47-OHM, 1W
			R521, R522	9A05896300	R., 0.22-OHM, 5W
			R621, R622	9A05896300	R., 0.22-OHM, 5W
			R508, R608	9A06908200	RES, METAL OXIDE FILM
			R523, R623	9A05896400	R., 4.7-OHM, 1W
			R524, R624	9A05338000	R, METAL OXIDE FILM 1W 10
			R915	9A05338000	R, METAL OXIDE FILM 1W 10
			R527, R627	9A05338200	R, METAL OXIDE FILM 1W 390
			R907, R908	9A06908300	RES, METAL OXIDE FILM
			RY10	9A05987100	RELAY HR-CR7-DC12V
			RY11	9A04879000	RELAY, OSA-SS-212DM3
			SW95	9A06910500	POWER SWITCH ASS'Y
			SW95	9A06699800	SW, PUSH JRA1202F
				9A05328100	CORD, POWER
				9A06730800	CORD, POWER
				9A06242000	CORD, POWER
			F901	9A05353400	FUSE F1.6A
			PWR1	9A06907200	TRANS, POWER
				9A07006500	TRANS POWER
				9A05338400	AM LOOP ANT ASS'Y
				9A06261100	ANT, AM LOOP
				9A04883100	ANT, FM WIRE DC-D2100
				9A06261200	ANT, FM T
D604	9A01390600	DIODE, 1N4148T			
D202, D501	9A01390500	DIODE, 1N4148MT			
D503, D504	9A01390500	DIODE, 1N4148MT			
D601, D603	9A01390500	DIODE, 1N4148MT			
D911	9A01390500	DIODE, 1N4148MT			
D905-D908	9A05194700	DIODE, 1N4003ST			
D912, D914	9A05194700	DIODE, 1N4003ST			
D502, D602	9A06256300	DIODE, ZENER UZ248MT			
D909	9A06256300	DIODE, ZENER UZ248MT			
D903, D904	9A05970800	DIODE, UZ168MT			

TEAC®

TEAC CORPORATION	3-7-3, Nakacho, Musashino-shi, Tokyo 180-8550, Japan Phone: (0422) 52-5082
TEAC AMERICA, INC.	7733 Telegraph Road, Montebello, California 90640 Phone: (213) 726-0303
TEAC CANADA LTD.	5939 Wallace Street, Mississauga, Ontario, L4Z 1Z8, Canada Phone: 905-890-8008
TEAC MEXICO, S.A. De C.V	Privada De Corina, No. 18, Colonia Del Carmen Coyoacan, Mexico DF 04100 Phone: 5-658-1943
TEAC UK LIMITED	5 Marlin House, Marlin Meadow, The Croxley Centre, Watford, Herts. WD1 8YA, U.K. Phone: 01923-819699
TEAC DEUTSCHLAND GmbH	Bahnstrasse 12, 65205 Wiesbaden-Erbenheim, Germany Phone: 0611-71580
TEAC FRANCE S. A.	17 Rue Alexis-de-Tocqueville, CE 005 92182 Antony Cedex, France Phone: (01) 42.37.01.02
TEAC BELGIUM NV/SA	P.A. TEAC Nederland BV, Perkinsbaan 11a, 3439 ND Nieuwegein, Netherlands Phone: 0031-30-6048115
TEAC NEDERLAND BV	Perkinsbaan 11a, 3439 ND Nieuwegein, Netherlands Phone: 030-6030229
TEAC AUSTRALIA PTY., LTD. A.C.N. 005 408 462	106 Bay Street, Port Melbourne, Victoria 3207, Australia Phone: (03) 9644-2442
TEAC ITALIANA S.p.A.	Via C. Cantù 11, 20092 Cinisello Balsamo, Milano, Italy Phone: 02-66010500