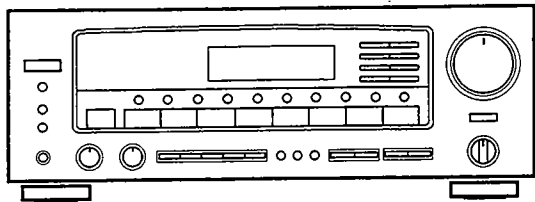


81

TEAC



SERVICE MANUAL

AG-V6200

V7700
Audio/Video Surround Receiver

NOTES

- PC boards shown are viewed from parts side.
- The parts with no reference number or no parts number in the exploded views are not supplied.
- As regards the resistors and capacitors, refer to the circuit diagrams contained in this manual.
- ⚠ Parts marked with this sign are safety critical components. They must be replaced with identical components - refer to the appropriate parts list and ensure exact replacement.
- Parts of [] mark can be used only with the version designated.
[US]: U. S. A. [C]: CANADA [GE]: GENERAL EXPORT [E]: EUROPE

1 SPECIFICATIONS

Amplifier Section

Output Power (Front):

F.T.C. Rating:

100 watts RMS per channel minimum, both channels driven into 8 ohms from 20 Hz to 20 kHz with no more than 0.07% total harmonic distortion (U.S.A./ Canada)

RMS Power (40 Hz – 20 kHz):

105 watts/8 ohms, 0.07% (General Export)

DIN Power:

100 watts/8 ohms (Europe)

Surround Output Power (0.9% THD, 1 kHz):

3 × 65 watts (Front, Center)

2 × 18 watts (Rear)

Total Harmonic Distortion (Front):

0.01% (at 100 watts, 1 kHz)

Intermodulation Distortion (Front):

0.03% (at 70 watts)

Delay Time:

DOLBY PRO LOGIC: 15 – 30 ms (5 ms steps)

HALL, THEATER: 5 – 30 ms (5 ms steps)

Input Sensitivity/Impedance:

PHONO: 2.5 mV/47 k ohms

LINE*: 200 mV/47 k ohms

Frequency Response:

PHONO: 20 Hz – 20 kHz, ± 1 dB

LINE*: 10 Hz – 60 kHz, +1/ – 3 dB

Signal-to-Noise Ratio:

PHONO: 70 dB

LINE*: 75 dB

Tone Control:

BASS: ± 10 dB at 100 Hz

TREBLE: ± 10 dB at 10 kHz

FM Tuner Section

(without notes 98.1 MHz, 65 dBf)

Tuning Range:

87.5 MHz – 108.0 MHz (100 kHz steps)

(U.S.A./Canada/General Export)

87.50 MHz – 108.00 MHz (50 kHz steps)

(Europe)

Usable Sensitivity (IHF):

Mono: 13.2 dBf (U.S.A./Canada/General Export)

Mono: 16.2 dBf (Europe)

50 dB Quieting Sensitivity:

Mono: 18 dBf (U.S.A./Canada/General Export)

Mono: 20 dBf (Europe)

Stereo: 38 dBf (U.S.A./Canada/General Export)

Stereo: 42 dBf (Europe)

Capture Ratio:

2.0 dB (U.S.A./Canada/General Export)

2.5 dB (Europe)

Image Rejection Ratio:

40 dB (U.S.A./Canada/General Export)

80 dB (Europe)

AM Suppression Ratio: 60 dB

RF Intermodulation Ratio: 65 dB

Total Harmonic Distortion (1 kHz):

Mono: 0.4%

Stereo: 0.5%

Frequency Response: 30 Hz – 15 kHz, +1/ – 1.5 dB

Stereo Separation (1 kHz): 43 dB

Signal-to-Noise Ratio:

Mono: 76 dB

Stereo: 70 dB

AM Tuner Section

Tuning Range:

520 kHz – 1,710 kHz (10 kHz steps)

(U.S.A./Canada/General Export)

522 kHz – 1,602 kHz (9 kHz steps)

(Europe)

Usable Sensitivity: 52 dB/m

Total Harmonic Distortion: 0.8% at 85 dB/m

Signal-to-Noise Ratio: 45 dB at 85 dB/m

Video Section

Input Sensitivity/Impedance: 1.0 Vp-p/75 ohms

Output Level/Impedance: 1.0 Vp-p/75 ohms

Frequency Response: 5 Hz – 6 MHz, – 3 dB

Signal-to-Noise Ratio: 60 dB (1 kHz, HPF IN)

General

Power Requirements:

120 V AC, 60 Hz (U.S.A./Canada)

230 V AC, 50 Hz (Europe)

115/230 V AC, 50-60 Hz (General Export)

Power Consumption:

3.0 A (U.S.A./Canada)

310 W (General Export)

310 W (Europe)

AC Outlets:

Switched $\times 2$, Total 100 W max. (1 A max.)

(U.S.A./Canada)

Switched $\times 2$, 100 W max.

(Europe/General Export)

Dimensions (WxHxD):

435 × 156 × 376 mm

(17-1/8" × 6-1/8" × 14-13/16")

Weight (net): 9.8 kg (21-10/16 lbs.)

Standard Accessories:

AM Loop Antenna $\times 1$

FM "T" Type Antenna $\times 1$

Remote Control Unit (UR-406) $\times 1$

Battery ("AA", "R06", SUM-3) $\times 2$

Matching Transformer (300 ohms to 75 ohms) $\times 1$

(Europe)

* LINE means CD, VIDEO 1, VIDEO 2, AUX, TAPE 1 and TAPE 2.

● Improvements may result in specifications and features changing without notice.

● Illustrations may differ slightly from production models.

2 ADJUSTMENTS

2-1 Adjustments and Test Points

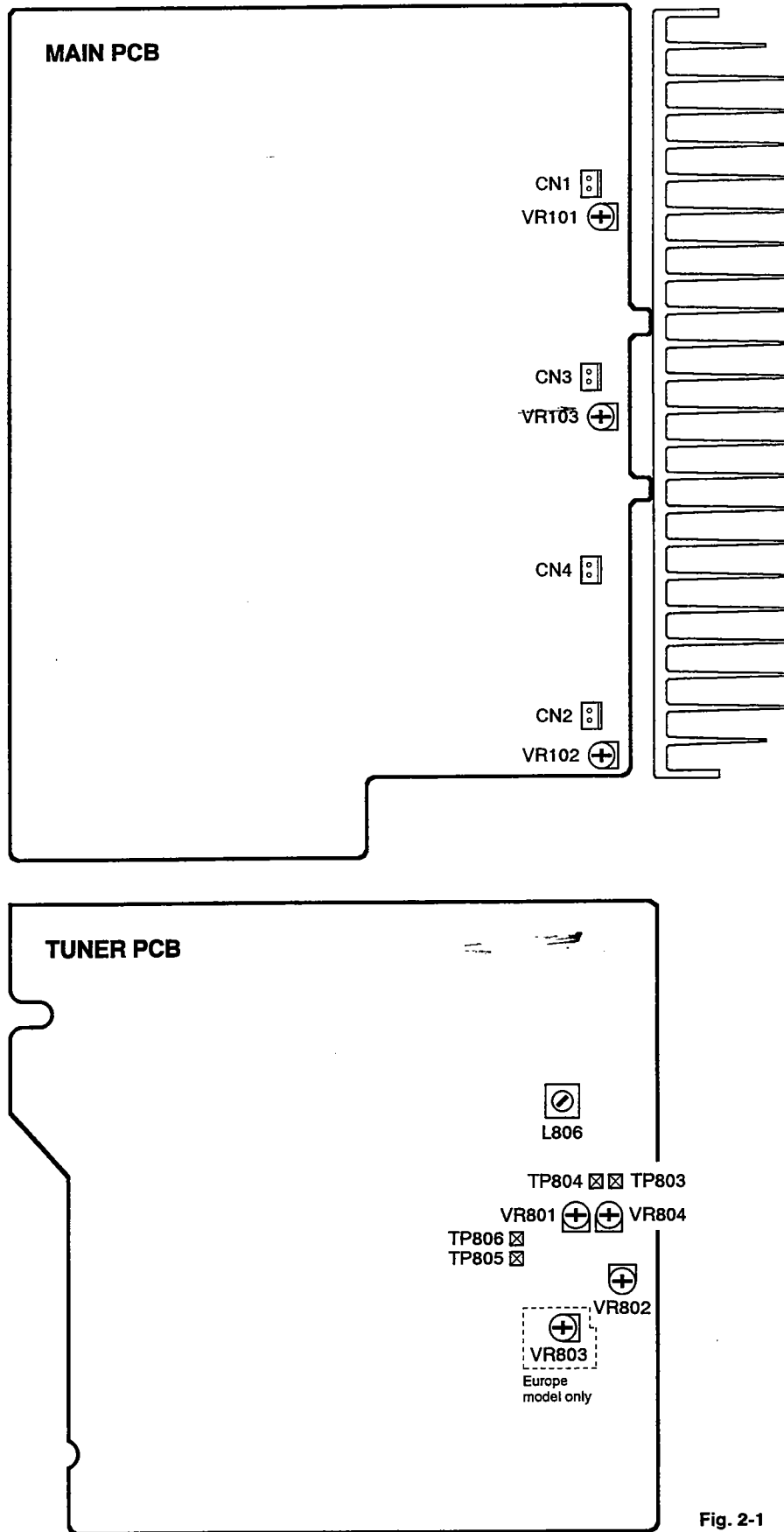


Fig. 2-1

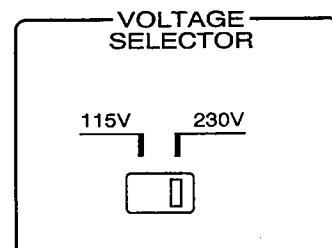
2-2 Adjustment Procedure

ITEM	SETTINGS			ADJUSTMENT POINTS	ADJUST
	INPUT	OUTPUT	AG-V6200		
FM SECTION					
1. Discriminator	A 98.0 MHz 1 kHz, ± 75 kHz dev. 60 dB μ (ANT input)	C TUNER PCB TP803/TP804	AUTO or MONO 98.0 MHz	L806	0 mV
2. VCO	A 98.0 MHz 0 dev. 60 dB μ (ANT input)	D TUNER PCB TP805/TP806	AUTO 98.0 MHz	VR802	19.00 kHz
3. Separation (Europe model only)	A B 98.0 MHz 1 kHz, ± 40 kHz dev. Pilot: 6 kHz dev. Selector: L or R 60 dB μ (ANT input)	E TAPE 2 REC	AUTO 98.0 MHz	VR803	Minimum crosstalk
4. Tuning Level	A 98.0 MHz 0 dev. 18 dB μ (ANT input)	/	AUTO or MONO 98.0 MHz	VR801	Adjust VR801 and stop at the point where TUNED indicator goes on.
AM SECTION					
5. Tuning Level	F 1000 (999) kHz 26 dB μ (ANT input)	/	1000 (999) kHz	VR804	Adjust VR804 and stop at the point where TUNED indicator goes on.
AUDIO SECTION					
6. Idle Current	/	G MAIN PCB CN1 (L) CN2 (R) CN3 (Center)	MASTER VOLUME control: 0	VR101 (L) VR102 (R) VR103 (Center)	10 mV

Voltage Conversion

Be sure to remove the power cord from the AC outlet before repositioning the voltage converter switch.

1. Locate the voltage selector on the rear panel.
2. Using a flat-bladed screwdriver, set to the appropriate 230 V or 115 V position according to your area.



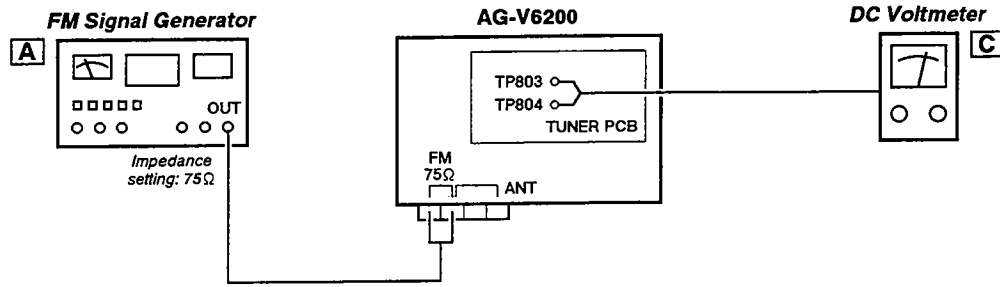


Fig. 2-2

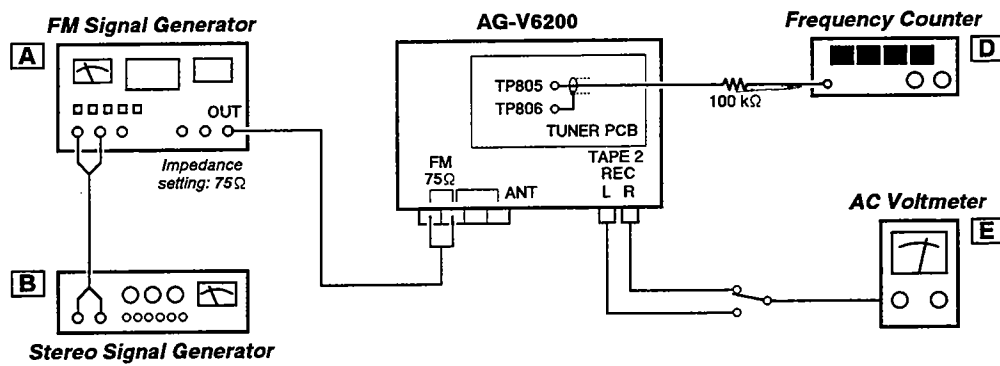


Fig. 2-3

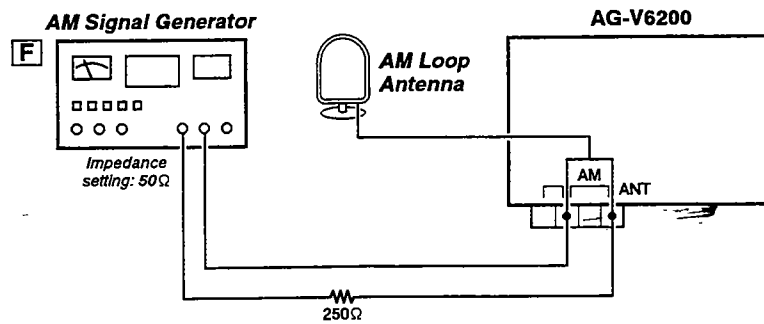


Fig. 2-4

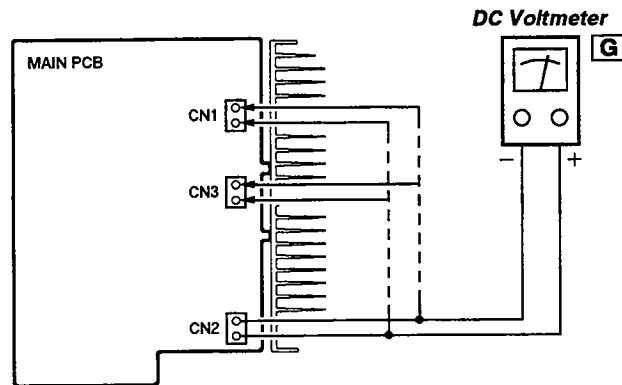
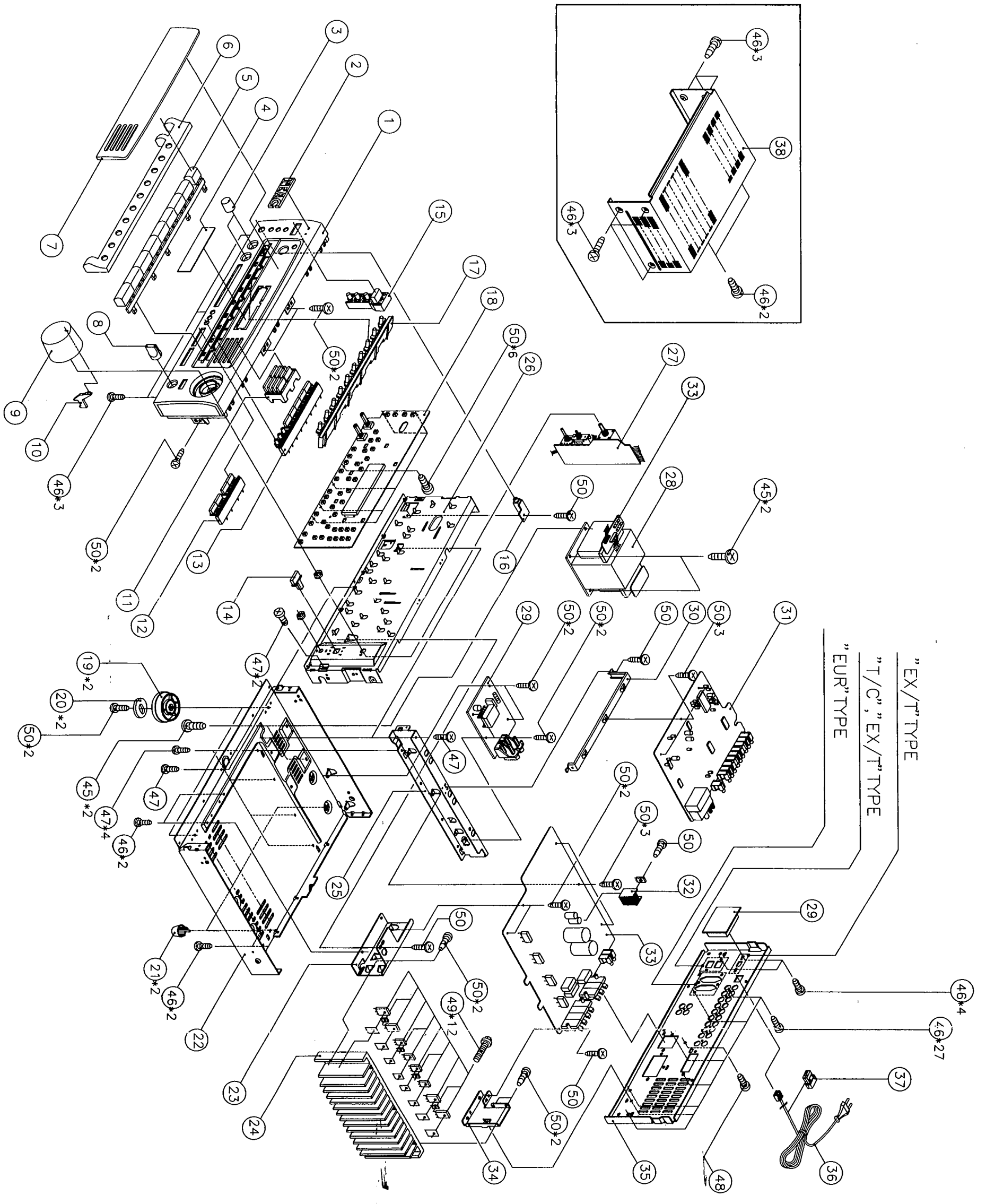


Fig. 2-5

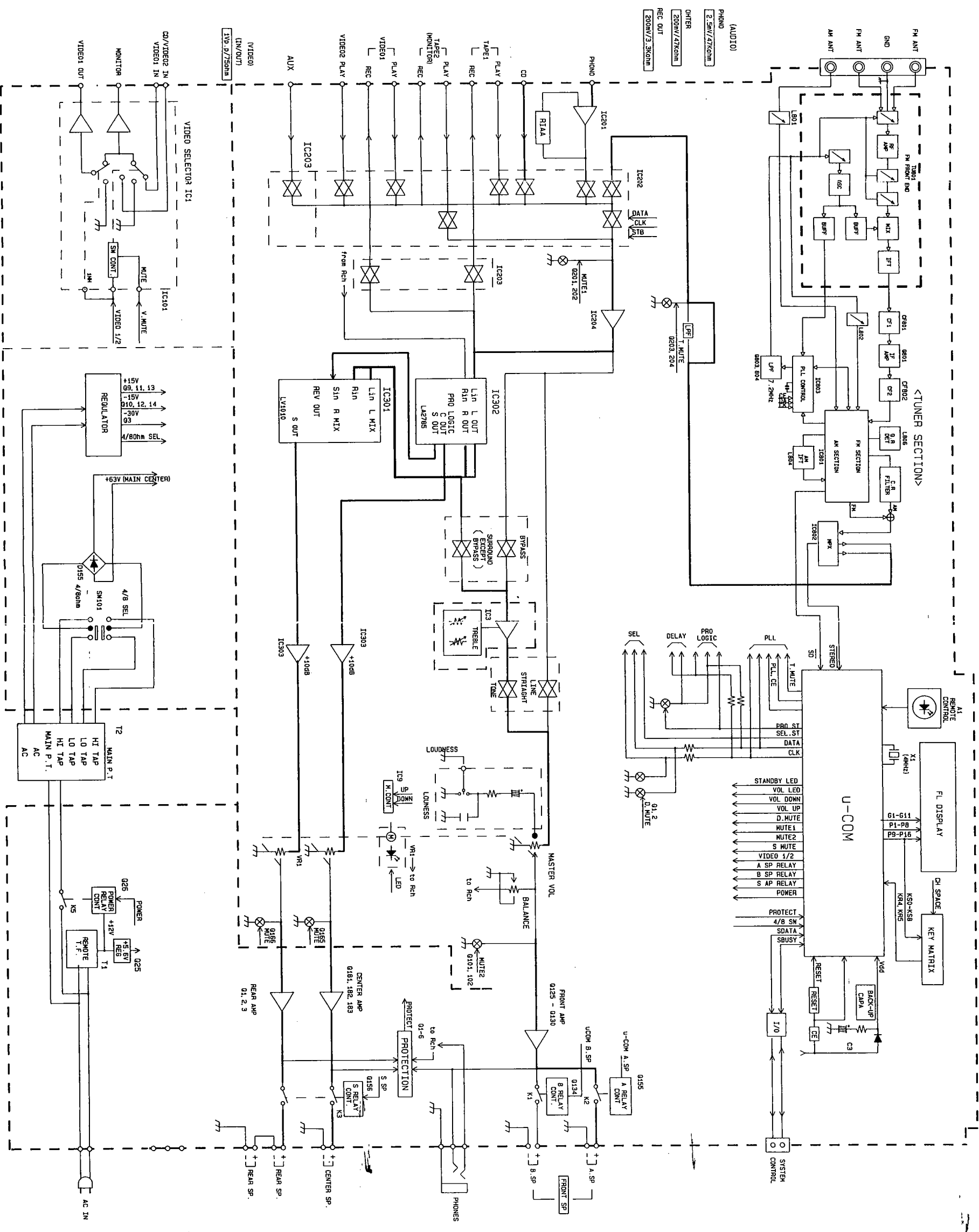
3 EXPLODED VIEWS AND PARTS LIST

EXPLODED VIEW

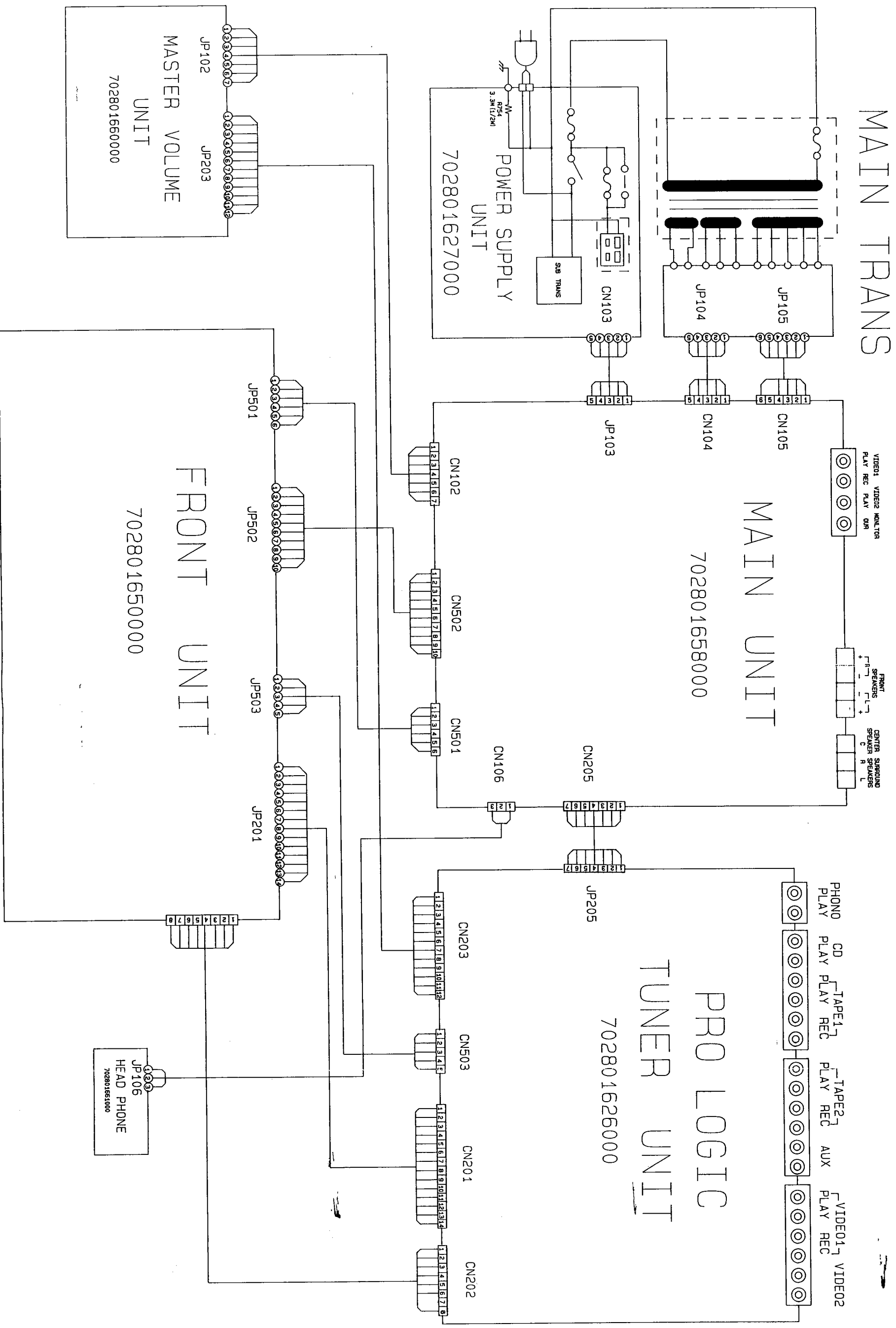
REF. NO.	PARTS NO.	DESCRIPTION	REMARKS
1- 1	9A05467400	PANEL, FRONT (AG-SV7150)	
	9A05476300	PANEL, FRONT (AG-V6200)	
1- 2	9A05471400	BADGE, TEAC	
1- 3	9A05469900	KNOB, CONTROL	
1- 4	9A05471000	FILTER, FLT	
1- 5	9A05470900	BUTTON, FUNCTION	
1- 6	9A05467500	PANEL, CENTER	
1- 7	9A05469700	WINDOW, DISPLAY	
1- 8	9A05469800	KNOB, T/BASS	
1- 9	9A05470000	KNOB, VOLUME	
1-10	9A05469500	WINDOW, VOLUME	
1-11	9A05470200	BUTTON, TUNING	
1-12	9A05470300	BUTTON, CENTER	
1-13	9A05470700	BUTTON, SURROUND	
1-14	9A05470800	BUTTON, LOUD	
1-15	9A05470600	BUTTON, POWER	
1-16	9A05473800	PCB ASSY, HEAD PHONE	
1-17	9A05470400	BUTTON, PRESET	
1-18	9A05473500	PCB ASSY, FRONT [US, C, GE]	
	9A05473510	PCB ASSY, FRONT [E]	
1-19	9A05468500	FOOT	
1-20	9A05469000	CUSHION, FOOT	
1-21	9A05468400	FOOT (BK)	
1-22	9A05467700	CHASSIS, MAIN	
1-23	9A05468900	BRACKET, HEATSINK "B"	
1-24	9A05466900	HEAT SINK, MAIN	
1-25	9A05468700	BRACKET, MIDDLE	
1-26	9A05467900	CHASSIS, FRONT	
1-27	9A05473700	PCB ASSY, MAIN VR	
1-28	△ 9A05474000	POWER TRANSFORMER [US, C]	
	△ 9A05477300	POWER TRANSFORMER [E]	
	△ 9A05478400	POWER TRANSFORMER [GE]	
1-29	9A05473400	PCB ASSY, POWER [US, C]	
	9A05473410	PCB ASSY, POWER [E]	
	9A05473420	PCB ASSY, POWER [GE]	
1-30	9A05468600	BRACKET, PCB	
1-31	9A05473300	PCB ASSY, TUNER [US, C, GE]	
	9A05473310	PCB ASSY, TUNER [E]	
1-32	9A05466800	HEAT SINK, SUB	
1-33	9A05473600	PCB ASSY, MAIN [US, C, GE]	
	9A05473610	PCB ASSY, MAIN [E]	
1-34	9A05468800	BRACKET, HEATSINK "A"	
1-35	9A05468000	CHASSIS, BACK (AG-SV7150)	
	9A05476500	CHASSIS, BACK [US, C] (AG-V6200)	
	9A05476520	CHASSIS, BACK [E] (AG-V6200)	
	9A05476510	CHASSIS, BACK [GE] (AG-V6200)	
1-36	△ 9A05463100	CORD, AC KKP-10W [US, C, GE]	
	△ 9A05564700	CORD, AC [E]	
1-37	△ 9A05469300	STOPPER	
1-38	9A05467100	CABINET, TOP [US, C, GE]	
	9A05564800	CABINET, TOP [E]	
1-45	9A05440900	SCREW, SPECIAL +3S 4*8 B" TITE YL/BH	
1-46	9A05440800	SCREW, SPECIAL +2S 3*8 B" TITE BK/BH	
1-47	9A05440600	SCREW, SPECIAL +2S, 3*6 B" TITE YL/BH	
1-48	9A05440500	SCREW, TAPPING +3S 3*8 CR/BH	
1-49	9A05466700	SCREW, +2S 3*14 YL W/S. P WASHER	
1-50	9A05440700	SCREW, SPECIAL +2S 3*8 B" TITE YL/BH	



4 BLOCK DIAGRAM

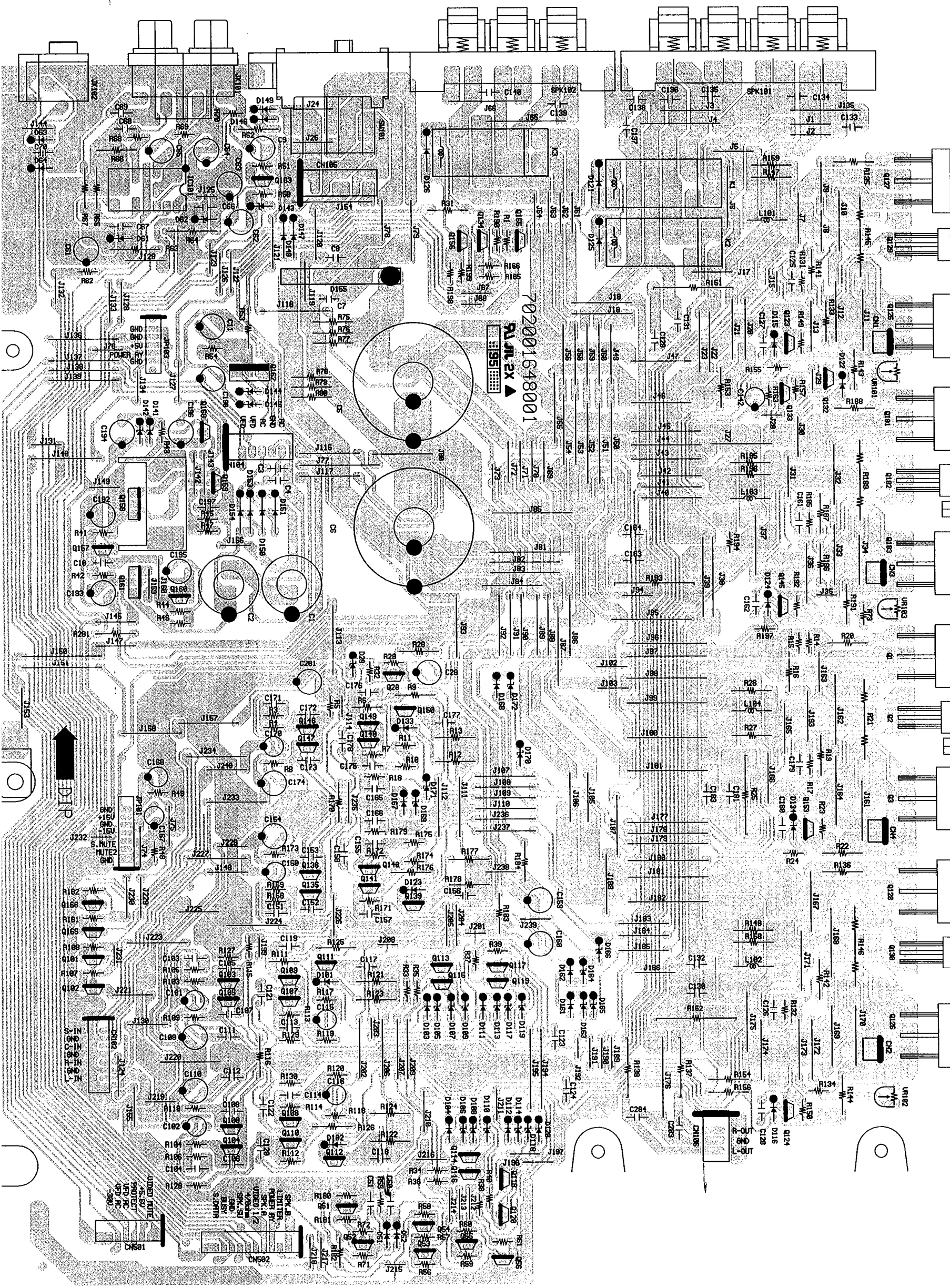


5 WIRING DIAGRAM

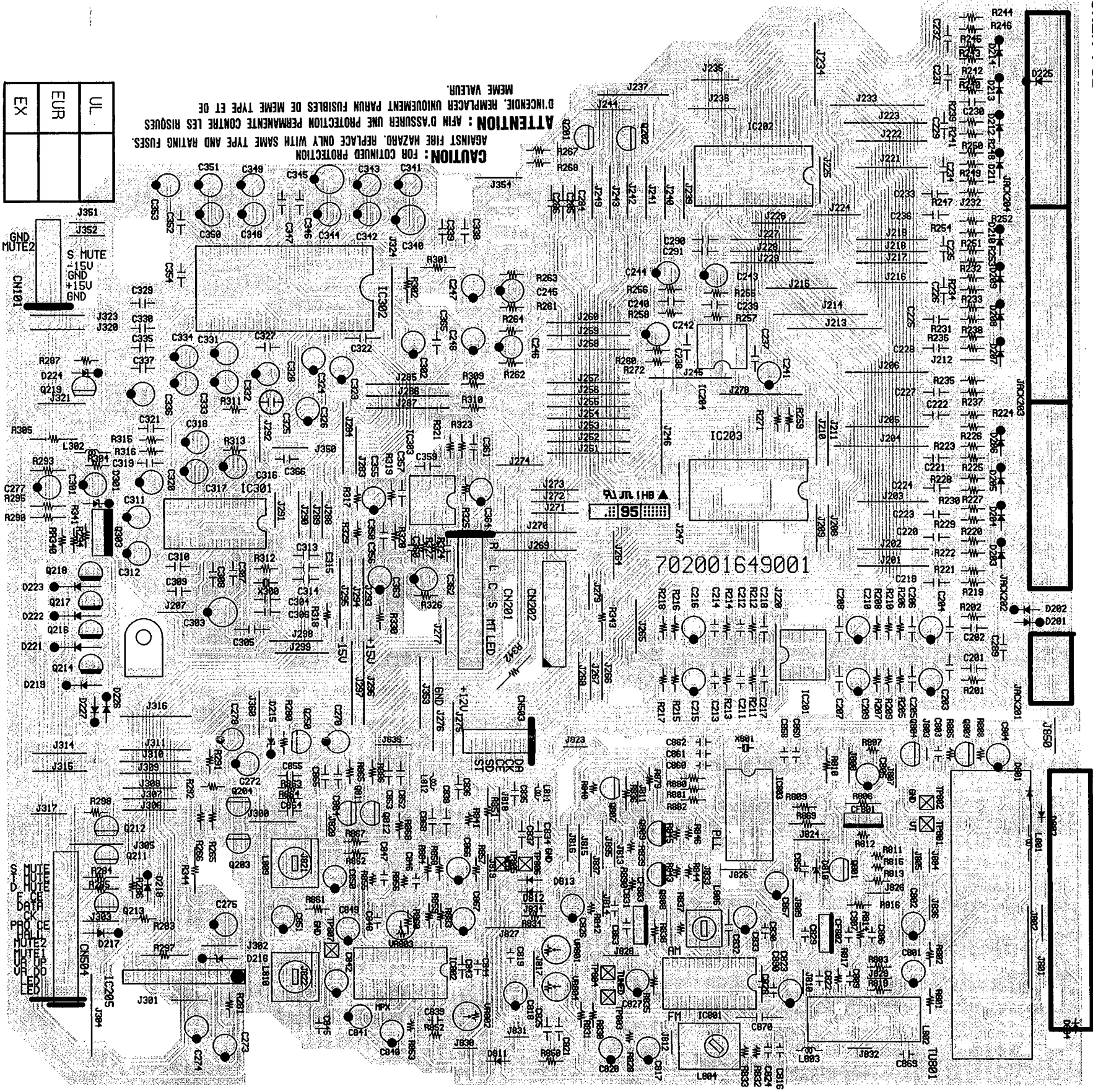


6 PC BOARDS AND PARTS LIST

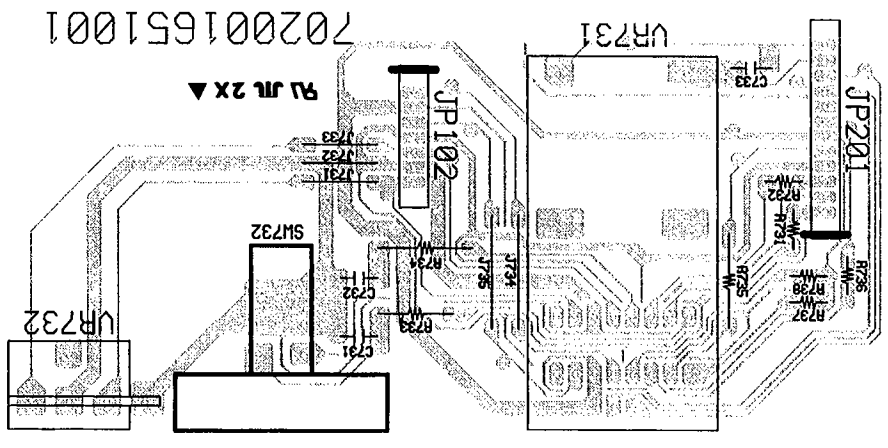
MAIN PCB



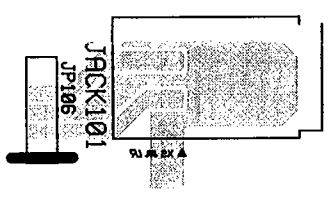
TUNER PCB



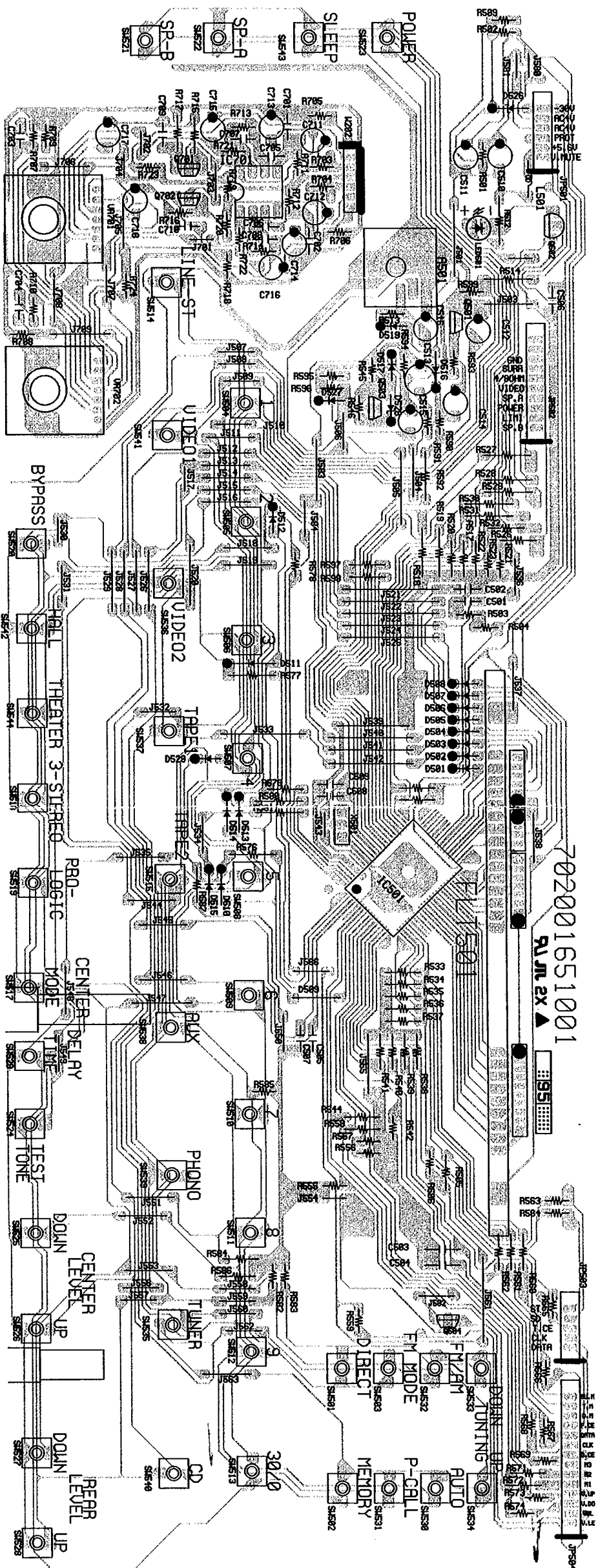
MAIN VR PCB



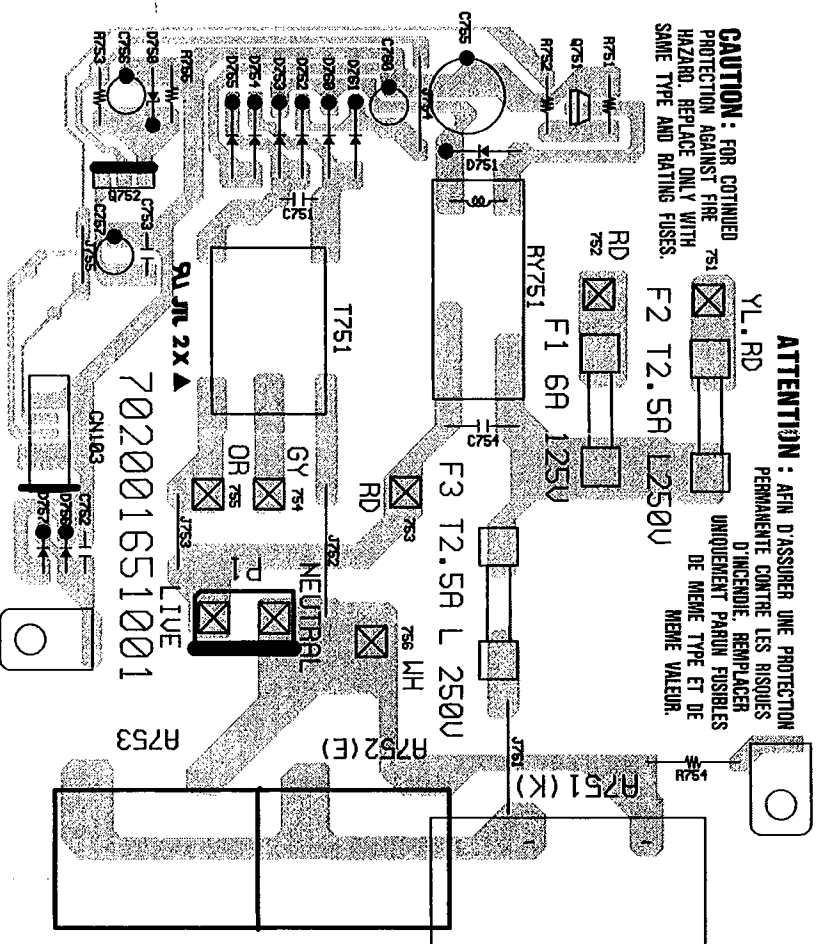
HEAD PHONE PCB



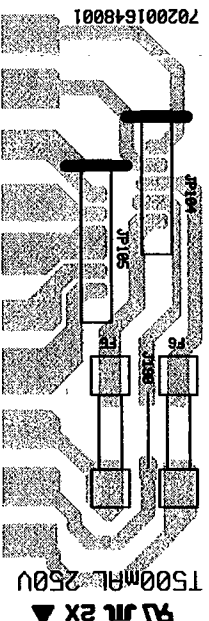
FRONT PCB



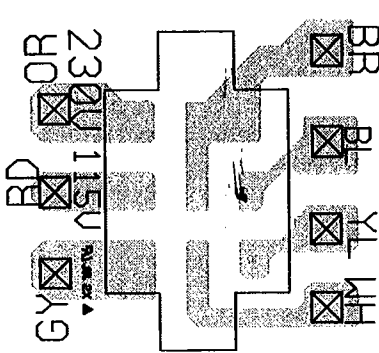
POWER PCB



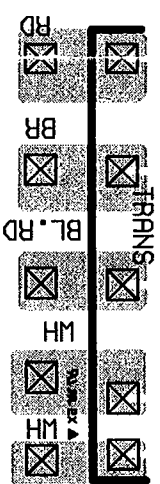
(TRANS PCB)



(SELECTOR PCB)



(TRANS PCB)



MAIN PCB ASSY

REF. NO.	PARTS NO.	DESCRIPTION
	9A05473600	PCB ASSY, MAIN [US, C, GE]
	9A05473610	PCB ASSY, MAIN [E]
	9A05472500	PCB, MAIN
	9A05466800	HEAT SINK, SUB
	9A05440700	SCREW, SP. +2S 3*8 B" TITE YL/BH
CN1-CN4	9A05463200	CN. WAFER 2P
CN102	9A05464900	CN. WIRE TRAP 7P
CN104	9A05464500	CN. FPC 5P
CN105	9A05464600	CN. FPC 6P
CN106	9A05464400	CN. FPC 3P
CN501	9A05464800	CN. WIRE TRAP 6P
CN502	9A05465000	CN. WIRE TRAP 10P
C001, C002	△ 9A05454700	C, ELECT 470UF/35V M
C3, C4	△ 9A05449500	C, CERAMIC 0.01UF 500V
C5, C6	△ 9A05454800	C, ELECT 680UF/71V M
C7, C8	△ 9A05449500	C, CERAMIC 0.01UF 500V
D028	9A05461600	D, ZENER MTZ5.1B 0.5W
D052	9A05461100	D, 1SS131T-77
D061, D062	9A05461600	D, ZENER MTZ5.1B 0.5W
D101-D104	9A05461100	D, 1SS131T-77
D105, D106	9A05462400	D, ZENER MTZJ16C 0.5W
D107-D110	9A05462200	D, ZENER MTZJ10C 0.5W
D111, D112	9A05461100	D, 1SS131T-77
D113, D114	9A05462400	D, ZENER MTZJ16C 0.5W
D115, D116	9A05461100	D, 1SS131T-77
D117-D120	9A05462200	D, ZENER MTZJ10C 0.5W
D121	9A05461300	D, 1N4002A
D122-D124	9A05461100	D, 1SS131T-77
D125, D126	9A05461300	D, 1N4002A
D133, D134	9A05461100	D, 1SS131T-77
D141	9A05461800	D, ZENER MTZJ6.8B 0.5W
D142	9A05462000	D, ZENER MTZJ8.2B 0.5W
D144	9A05462400	D, ZENER MTZJ16C 0.5W
D145	9A05462500	D, ZENER MTZJ18C 0.5W
D147, D148	△ 9A05461300	D, 1N4002A
D150, D151	△ 9A05461300	D, 1N4002A
D153, D154	△ 9A05461300	D, 1N4002A
D155	△ 9A05461400	D, BRIDGE D5SB20
D161, D162	9A05461100	D, 1SS131T-77
D163-D166	9A05462500	D, ZENER MTZJ18C 0.5W
D167, D168	9A05461100	D, 1SS131T-77
D169-D172	9A05462500	D, ZENER MTZJ18C 0.5W
F5, F6	△ 9A05457800	FUSE, 250V TO. 5A
F5, F6	9A05457600	HOLDER, FUSE CLIP
GD101	9A05468200	TERMINAL
IC101	9A05458400	IC, NJM2279D
JK101	9A05457400	TERMINAL, RCA 4PIN
JP101	9A05463700	CABLE, HOLDER 7P
JP103	9A05463500	CABLE, HOLDER 5P
JP104	9A05464200	CABLE, HOLDER 5P
JP105	9A05464300	CABLE, HOLDER 6P
K1, K2, K3	9A05458200	RELAY, DC24V
L101-L104	9A05455100	COIL, FILTER INDUCTOR 0.5UH
Q028	9A05459500	TR, KSA992F
Q055	9A05459800	TR, 2SC1740S

MAIN PCB ASSY

REF. NO.	PARTS NO.	DESCRIPTION
Q056	9A05459400	TR, 2SA933S
Q101, Q102	9A05460400	TR, 2SC2878
Q103-Q106	9A05459500	TR, KSA992F
Q107-Q110	9A05459900	TR, KSC1845F
Q111-Q113	9A05459500	TR, KSA992F
Q116	9A05459500	TR, KSA992F
Q117, Q120	9A05459900	TR, KSC1845F
Q123, Q124	9A05459900	TR, KSC1845F
Q132, Q133	9A05459900	TR, KSC1845F
Q134	9A05459800	TR, 2SC1740S
Q135	9A05459500	TR, KSA992F
Q136, Q139	9A05459500	TR, KSA992F
Q140, Q141	9A05459900	TR, KSC1845F
Q145	9A05459900	TR, KSC1845F
Q146, Q147	9A05459500	TR, KSA992F
Q148, Q149	9A05459900	TR, KSC1845F
Q150	9A05459500	TR, KSA992F
Q153	9A05459900	TR, KSC1845F
Q155, Q156	9A05459800	TR, 2SC1740S
Q157	9A05459400	TR, 2SA933S
Q158	9A05460500	TR, 2SD2058Y
Q159	9A05459800	TR, 2SC1740S
Q160	9A05459400	TR, 2SA933S
Q161	9A05460500	TR, 2SD2058Y
Q162	9A05459600	TR, 2SB1274R
Q165, Q166	9A05460400	TR, 2SC2878
Q168	9A05459800	TR, 2SC1740S
R009, R012	△ 9A05446700	R, CARBON FLAME PROOF 220 J
R013	△ 9A05446700	R, CARBON FLAME PROOF 220 J
R019, R020	△ 9A05447000	R, CARBON FLAME PROOF 47 J
R021	△ 9A05447500	R, CEMENT MPR 0.22*2 K 3W
R022	△ 9A05446900	R, CARBON FLAME PROOF 3.3K
R025	△ 9A05447200	R, M. OXIDE F. PROOF 10 J 2W
R028	△ 9A05446700	R, CARBON FLAME PROOF 3.3K
R031	△ 9A05447000	R, CARBON FLAME PROOF 47 J
R 53	△ 9A05446500	R, CARBON FLAME PROOF 100 J
R063, R064	△ 9A05447300	R, M. OXIDE F. PROOF 390 J 1W
R121-R124	△ 9A05446700	R, CARBON FLAME PROOF 220 J
R125, R126	△ 9A05446800	R, CARBON FLAME PROOF 330 J
R135, R136	△ 9A05446600	R, CARBON FLAME PROOF 22 J
R137, R138	△ 9A05447400	R, M. OXIDE F. PROOF 560 J 1W
R141, R142	△ 9A05446600	R, CARBON FLAME PROOF 22 J
R143, R144	△ 9A05446900	R, CARBON FLAME PROOF 3.3K
R145, R146	△ 9A05447600	R, CEMENT MPR 0.22*2 K 5W
R151, R152	△ 9A05447200	R, M. OXIDE F. PROOF 10 J 2W
R176-R178	△ 9A05446700	R, CARBON FLAME PROOF 220 J
R183, R184	△ 9A05446500	R, CARBON FLAME PROOF 100 J
R187, R188	△ 9A05447000	R, CARBON FLAME PROOF 47 J
R189	△ 9A05447600	R, CEMENT MPR 0.22*2 K 5W
R191	△ 9A05446900	R, CARBON FLAME PROOF 3.3K
R193	△ 9A05447200	R, M. OXIDE F. PROOF 10 J 2W
R281	△ 9A05446700	R, CARBON FLAME PROOF 220 J
SPK101	9A05456900	SW, PUSH BLOCK 8P
SPK102	9A05456800	SW, PUSH BLOCK 6P
VR101, 102	9A05448000	VR, SEMI CERMET 1KB

MAIN PCB

REF. NO.	PARTS NO.	DESCRIPTION
Q1 , Q181	△ 9A05459700	TR, 2SB1559Y
Q2 , Q129	9A05460200	TR, 2SC4137V
Q3 , Q183	△ 9A05460600	TR, 2SD2389Y
Q125, Q126	△ 9A05460800	TR, 2SD2222Q
Q127, Q128	△ 9A05460700	TR, 2SB1470Q
Q130, Q182	9A05460200	TR, 2SC4137V

TUNER PCB ASSY

REF. NO.	PARTS NO.	DESCRIPTION
	9A05473300	PCB ASSY, TUNER [US, C, GE]
	9A05473310	PCB ASSY, TUNER [E]
	9A05472600	PCB, TUNER
	9A05468200	TERMINAL
	9A05469400	PLATE, EARTH [US, C, GE]
	9A05476600	PLATE, EARTH [E]
CF801, 802	9A05455700	FILTER, FM SFE10.7MA5 [US, C, GE]
CF801, 802	9A05475900	FILTER, FM SFE10.7MS3GK-A [E]
CF803	9A05455800	FILTER, AM BFU450C4N
CN101	9A05464900	CN. WIRE TRAP 7P
CN201	9A05465100	CN. WIRE TRAP 12P
CN202	9A05463300	CN. WAFER 8P
CN503	9A05464700	CN. WIRE TRAP 5P
CN504	9A05461200	CN. WIRE TRAP 14P
D201-D214	9A05461200	D, 1SS133T-77
D215	9A05462300	D, ZENER MTZ13B 0.5W
D216	9A05461600	D, ZENER MTZ5.1B 0.5W
D217-D219	9A05461200	D, 1SS133T-77
D221-D223	9A05461200	D, 1SS133T-77
D224	9A05461500	D, ZENER MTZ4.7B 0.5W
D225-D227	9A05461200	D, 1SS133T-77
D301	9A05462100	D, ZENER MTZ10B 0.5W
D801, D802	9A05461200	D, 1SS133T-77
D804	9A05461200	D, 1SS133T-77 [E]
D810	9A05461600	D, ZENER MTZ5.1B 0.5W
D811-D813	9A05461200	D, 1SS133T-77
IC201	9A05459000	IC, NJM4565DD
IC202	9A05458600	IC, NJU7313L
IC203	9A05458500	IC, NJU7311L
IC204	9A05459000	IC, NJM4565DD
IC205	9A05459300	IC, BA6209N
IC301	9A05458700	IC, LV1010N
IC302	9A05458800	IC, LA2785
IC303	9A05459000	IC, NJM4565DD
IC801	9A05459100	IC, LA1265
IC802	9A05459200	IC, AN7470
IC803	9A05458900	IC, LM7001
JACK201	9A05457300	TERMINAL, RCA 2PIN
JACK202	9A05457500	TERMINAL, RCA 6PIN
JACK203	9A05457500	TERMINAL, RCA 6PIN
JACK204	9A05457500	TERMINAL, RCA 6PIN
JACK801	9A05456700	SW, PUSH BLOCK 4P [US, C, GE]
JACK801	9A05476100	SW, PUSH BLOCK 4P [E]
L302	9A05455300	COIL, FILTER 10UH
L801	9A05455200	COIL, FILTER 1UH

TUNER PCB ASSY

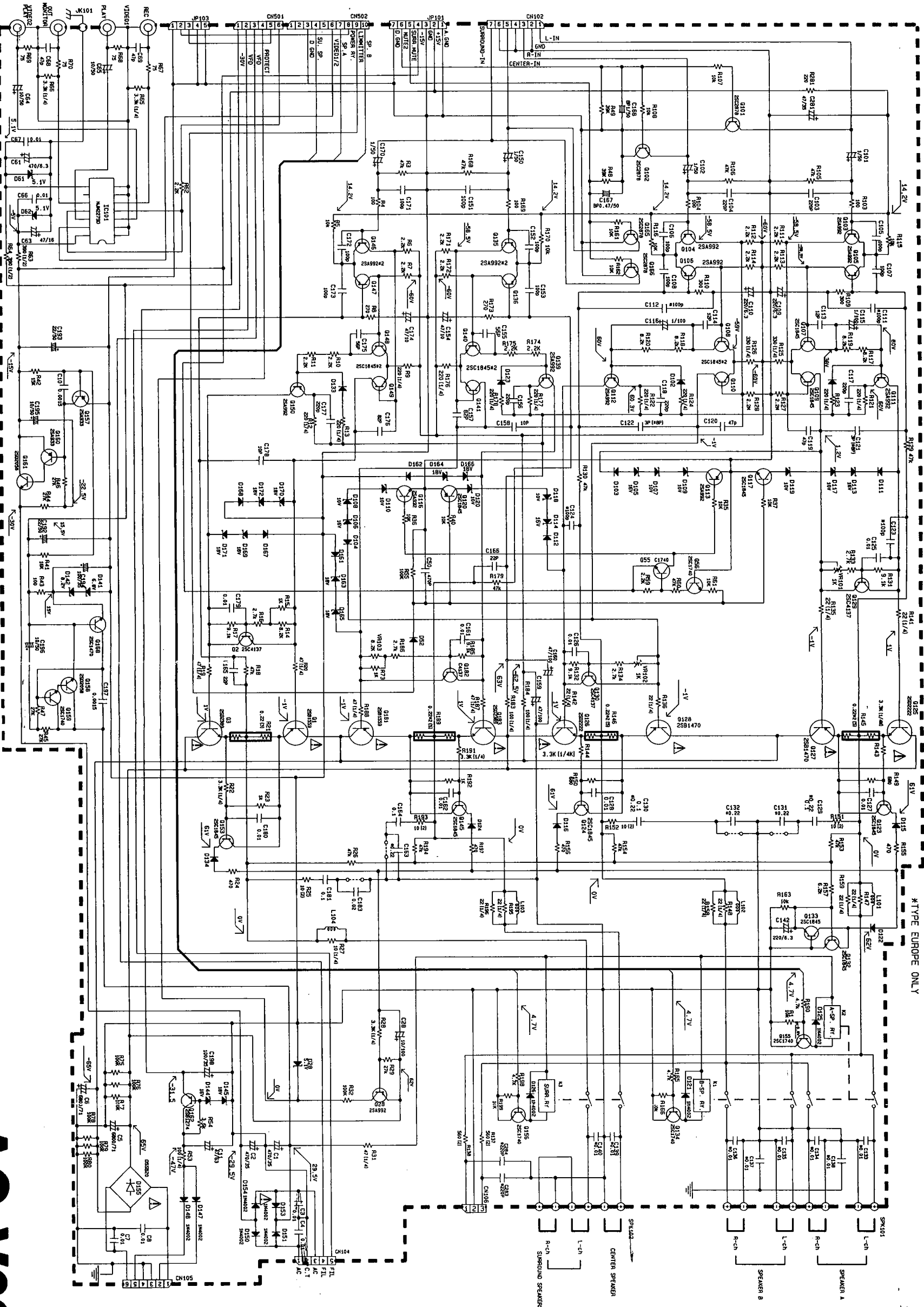
REF. NO.	PARTS NO.	DESCRIPTION
L802	9A05455400	RF TRANS, MW OSC
L804	9A05455500	COIL, IF MW
L806	9A05455600	COIL, IF FM
L809, L810	9A05475800	FILTER, LC MPX [E]
L811	9A05475600	COIL, CHOKE 5.6MH [E]
L812	9A05475700	COIL, CHOKE 6.8MH [E]
Q201-Q204	9A05460400	TR, 2SC2878
Q211-Q213	9A05461000	TR, DTC114ES
Q214, Q216	9A05460900	TR, DTA114ES
Q217, Q218	9A05460900	TR, DTA114ES
Q219	9A05459900	TR, KSC1845F
Q250	9A05460100	TR, KTC3205Y
Q303	9A05460500	TR, 2SD2058Y
Q801	9A05460000	TR, KTC31940
Q803	9A05459800	TR, 2SC1740S
Q804	9A05459900	TR, KSC1845F
Q807	9A05459800	TR, 2SC1740S [E]
Q808, C809	9A05459400	TR, 2SA933S
R305, R297	△ 9A05446400	R, CARBON FLAME PROOF 10 J
R342, R343	△ 9A05446600	R, CARBON FLAME PROOF 22 J
R344	△ 9A05446600	R, CARBON F. PROOF 22J [US, C, GE]
R344	△ 9A05447000	R, CARBON FLAME PROOF 47 J [E]
R806, R810	△ 9A05446500	R, CARBON FLAME PROOF 100 J
R836	△ 9A05446500	R, CARBON FLAME PROOF 100 J
R852	△ 9A05447100	R, CARBON FLAME PROOF 82 J
R869	△ 9A05446700	R, CARBON FLAME PROOF 220 J
TP801-807	9A05466500	PIN, TEST
TU801	9A05456400	TUNER, FM FTH 3-504VA [US, C, GE]
TU801	9A05476000	TUNER, FM FE415-G11 [E]
VR801	9A05448200	VR, SEMI CERMET 33KB
VR802	9A05448300	VR, SEMI CERMET 4.7KB
VR803	9A05474400	VR, SEMI CERMET 220KB [E]
VR804	9A05448100	VR, SEMI CERMET 10KB
X300	9A05456200	CRYSTAL, 8MHZ
X801	9A05456100	CRYSTAL, 7.2MHZ (20PPM)

MAIN VR PCB ASSY

REF. NO.	PARTS NO.	DESCRIPTION
	9A05473700	PCB ASSY, MAIN VR
JP102	9A05463700	CABLE, HOLDER 7P
JP201	9A05463900	CABLE, HOLDER 12P
SW732	9A05456600	SW, PUSH
VR731	9A05447900	VR, ROTARY MOTOR
VR732	9A05447800	VR, ROTARY 200K

HEAD PHONE PCB ASSY

REF. NO.	PARTS NO.	DESCRIPTION
	9A05473800	PCB ASSY, HEAD PHONE
JACK101	9A05457100	JACK
JP106	9A05464100	CABLE, HOLDER 3P

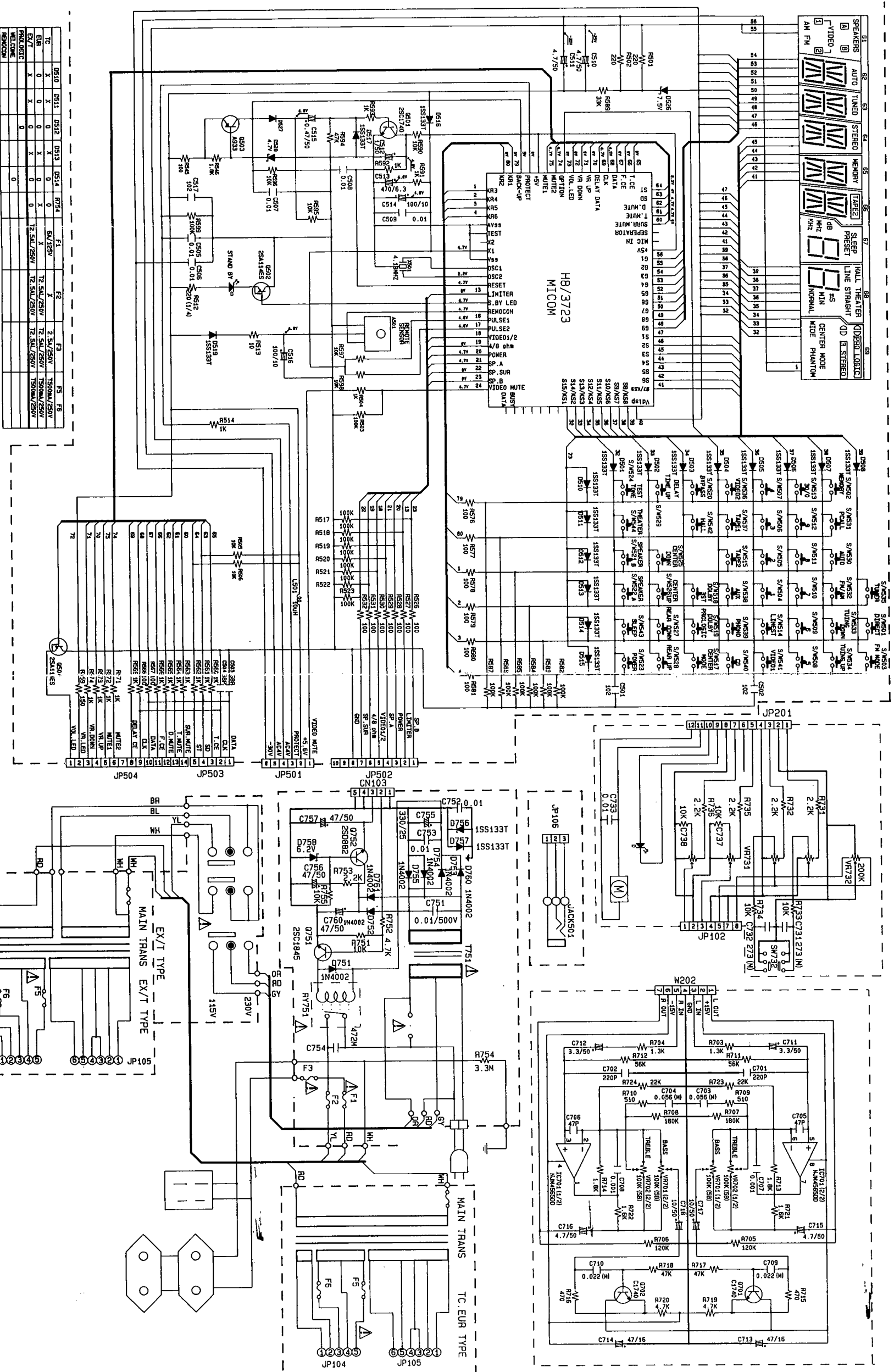


INSTRUCTIONS FOR SERVICE PERSONNEL
 BEFORE RETURNING APPLIANCE TO THE CUSTOMER, MAKE LEAKAGE-CURRENT OR RESISTANCE MEASUREMENTS TO DETERMINE THAT EXPOSED PARTS ARE ACCEPTABLY INSULATED FROM THE SUPPLY CIRCUIT.

NOTES:
 1. Resistor values are in ohms (k=kilo-ohms, M=megohms).
 2. Capacitor values are in microfarads (μ=micrometers).
 3. Δ Parts marked with this sign are safety critical components. They must always be replaced with identical components - refer to the appropriate parts list and ensure exact replacement.

AG-V6200

Audio/Video Surround Receiver



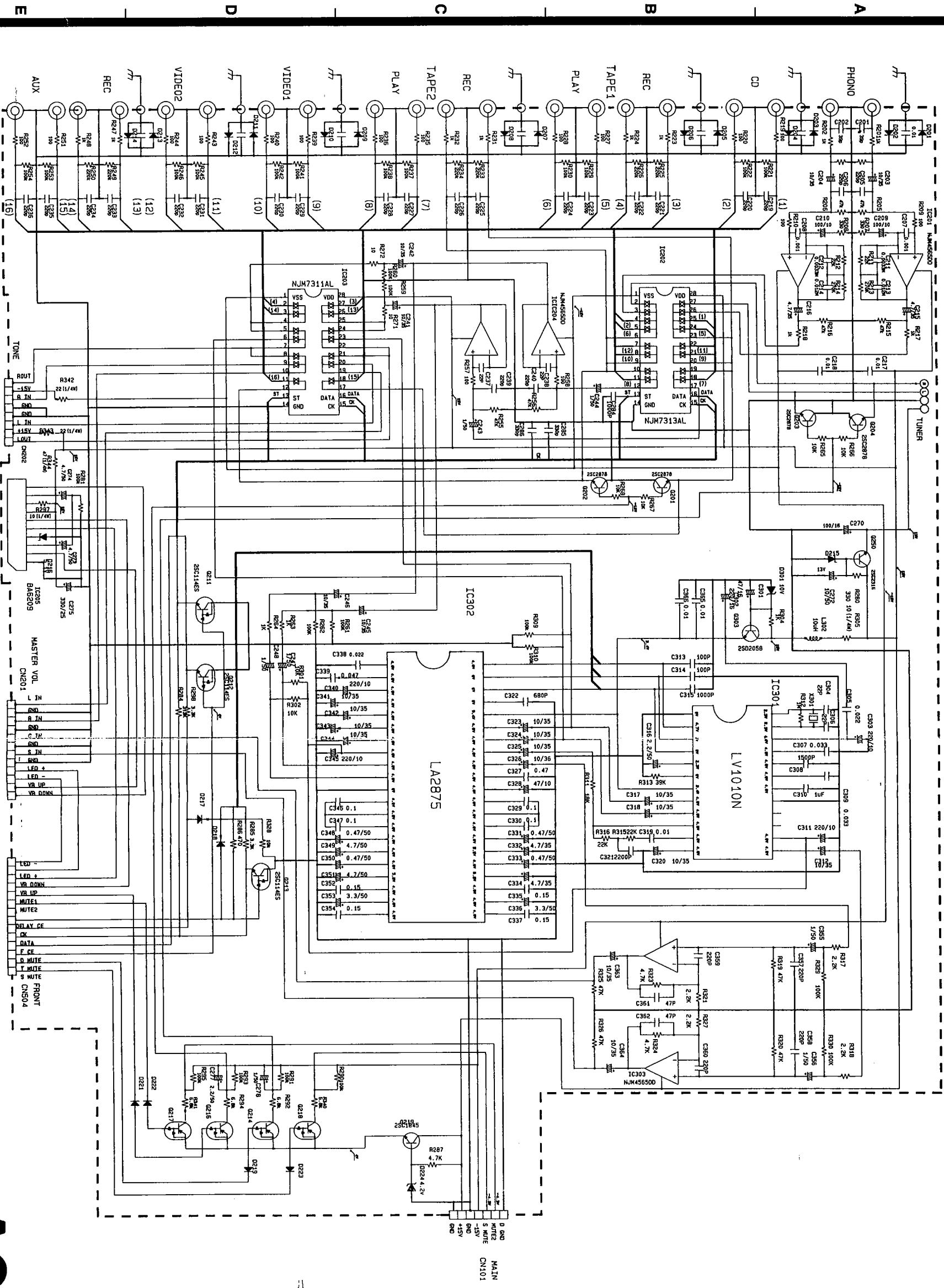
	F1	F2	F3	F5	F6
TC	0	0	0	0	0
FM	0	0	0	0	0
EX/T	0	0	0	0	0
PROL. OPTIC	0	0	0	0	0
MEMORON	0	0	0	0	0

INSTRUCTIONS FOR SERVICE PERSONNEL
 BEFORE RETURNING APPLIANCE TO THE CUSTOMER, MAKE LEAKAGE-CURRENT OR RESISTANCE MEASUREMENTS TO DETERMINE THAT EXPOSED PARTS ARE ACCEPTABLY INSULATED FROM THE SUPPLY CIRCUIT.

NOTES:
 1. Resistor values are in ohms (k-kilo-ohms, M-megohms).
 2. Capacitor values are in microfarads (p-picofarads).
 3. Δ Parts marked with this sign are safety critical components. They must always be replaced with identical components-refer to the appropriate parts list and ensure exact replacement.

AG-V6200

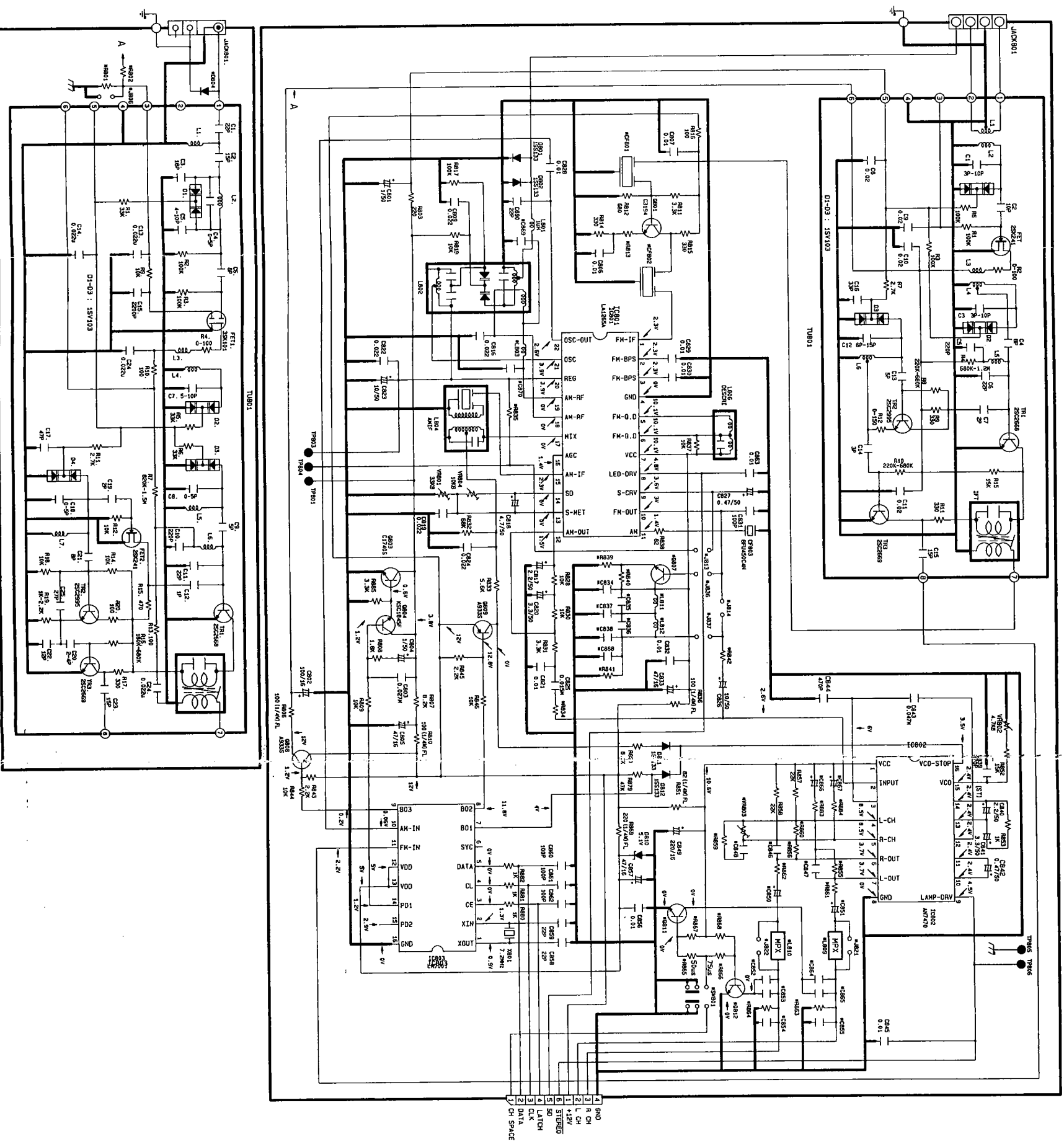
Audio/Video Surround Receiver



INSTRUCTIONS FOR SERVICE PERSONNEL:
 BEFORE RETURNING APPLIANCE TO THE CUSTOMER, MAKE LEAKAGE-CURRENT OR RESISTANCE MEASUREMENTS TO DETERMINE THAT EXPOSED PARTS ARE ACCEPTABLY INSULATED FROM THE SUPPLY CIRCUIT.

NOTES:
 1. Resistor values are in ohms (k=kilo-ohms, M=megohms).
 2. Capacitor values are in microfarads (p=picofarads).
 3. Δ Parts marked with this sign are safety critical components. They must always be replaced with identical components—refer to the appropriate parts list and ensure exact replacement.

AG-V6200
 Audio/Video Surround Receiver



Part No.	TC	EX	CLAS
R807	X		CLAS
R811	X		CLAS
R812	X		CLAS
R801	X		4.7K
R802	X		10K
R813	56		22
R834	30K		4.7K
R835	15K		3.3K
R839	X		2.2K
R840	X		4.7K
R842	39K		4.7K
R843	31K		4.7K
R844	X		4.7K
R845	330K		X
R803	3.3K		3.3K
R804	3.3K		3.3K
R805	3.3K		3.3K
R806	X		X
R807	X		X
R808	X		X
R809	X		X
R810	X		X
R811	X		X
R812	X		X
R813	X		X
R814	X		X
R815	X		X
R816	X		X
R817	X		X
R818	X		X
R819	X		X
R820	X		X
R821	X		X
R822	X		X
R823	X		X
R824	X		X
R825	X		X
R826	X		X
R827	X		X
R828	X		X
R829	X		X
R830	X		X
R831	X		X
R832	X		X
R833	X		X
R834	X		X
R835	X		X
R836	X		X
R837	X		X
R838	X		X
R839	X		X
R840	X		X
R841	X		X
R842	X		X
R843	X		X
R844	X		X
R845	X		X
R846	X		X
R847	X		X
R848	X		X
R849	X		X
R850	X		X
R851	X		X
R852	X		X
R853	X		X
R854	X		X
R855	X		X
R856	X		X
R857	X		X
R858	X		X
R859	X		X
R860	X		X
R861	X		X
R862	X		X
R863	X		X
R864	X		X
R865	X		X
R866	X		X
R867	X		X
R868	X		X
R869	X		X
R870	X		X
R871	X		X
R872	X		X
R873	X		X
R874	X		X
R875	X		X
R876	X		X
R877	X		X
R878	X		X
R879	X		X
R880	X		X
R881	X		X
R882	X		X
R883	X		X
R884	X		X
R885	X		X
R886	X		X
R887	X		X
R888	X		X
R889	X		X
R890	X		X
R891	X		X
R892	X		X
R893	X		X
R894	X		X
R895	X		X
R896	X		X
R897	X		X
R898	X		X
R899	X		X
R900	X		X
R901	X		X
R902	X		X
R903	X		X
R904	X		X
R905	X		X
R906	X		X
R907	X		X
R908	X		X
R909	X		X
R910	X		X
R911	X		X
R912	X		X
R913	X		X
R914	X		X
R915	X		X
R916	X		X
R917	X		X
R918	X		X
R919	X		X
R920	X		X
R921	X		X
R922	X		X
R923	X		X
R924	X		X
R925	X		X
R926	X		X
R927	X		X
R928	X		X
R929	X		X
R930	X		X
R931	X		X
R932	X		X
R933	X		X
R934	X		X
R935	X		X
R936	X		X
R937	X		X
R938	X		X
R939	X		X
R940	X		X
R941	X		X
R942	X		X
R943	X		X
R944	X		X
R945	X		X
R946	X		X
R947	X		X
R948	X		X
R949	X		X
R950	X		X
R951	X		X
R952	X		X
R953	X		X
R954	X		X
R955	X		X
R956	X		X
R957	X		X
R958	X		X
R959	X		X
R960	X		X
R961	X		X
R962	X		X
R963	X		X
R964	X		X
R965	X		X
R966	X		X
R967	X		X
R968	X		X
R969	X		X
R970	X		X
R971	X		X
R972	X		X
R973	X		X
R974	X		X
R975	X		X
R976	X		X
R977	X		X
R978	X		X
R979	X		X
R980	X		X
R981	X		X
R982	X		X
R983	X		X
R984	X		X
R985	X		X
R986	X		X
R987	X		X
R988	X		X
R989	X		X
R990	X		X
R991	X		X
R992	X		X
R993	X		X
R994	X		X
R995	X		X
R996	X		X
R997	X		X
R998	X		X
R999	X		X
R1000	X		X

INSTRUCTIONS FOR SERVICE PERSONNEL
 BEFORE RETURNING APPLIANCE TO THE CUSTOMER, MAKE LEAKAGE-CURRENT OR RESISTANCE MEASUREMENTS TO DETERMINE THAT EXPOSED PARTS ARE ACCEPTABLY INSULATED FROM THE SUPPLY CIRCUIT.

NOTES:
 1. Resistor values are in ohms (k=kilo-ohms, M=megohms).
 2. Capacitor values are in microfarads (p=picofarads).
 3. Δ Parts marked with this sign are safety critical components. The Δ must always be replaced with identical components—refer to the appropriate parts list and ensure exact replacement.

AG-V6200

Audio/Video Surround Receiver

FRONT PCB ASSY

REF. NO.	PARTS NO.	DESCRIPTION
A501	9A05473500	PCB ASSY, FRONT [US, C, GE]
	9A05473510	PCB ASSY, FRONT [E]
	9A05472700	PCB, FRONT
	9A05469100	SUPPORTER, FLT
	9A05456500	MODULE, REMOCON
D501-D508	9A05461200	D, 1SS133T-77
D510, D511	9A05461200	D, 1SS133T-77 [E]
D512, D516	9A05461200	D, 1SS133T-77
D517, D519	9A05461200	D, 1SS133T-77
D526	9A05461900	D, ZENER MTZ7. 5B 0. 5W
D527, D529	9A05461200	D, 1SS133T-77
D528	9A05461500	D, ZENER MTZ4. 7B 0. 5W
FLT	9A05462700	DISPLAY, FLT
IC501	9A05458300	IC, HD6433723D05F
IC701	9A05459000	IC, NJM4565DD
JP501	9A05463600	CABLE, HOLDER 6P
JP502	9A05463800	CABLE, HOLDER 10P
JP503	9A05463500	CABLE, HOLDER 5P
JP504	9A05464000	CABLE, HOLDER 14P
LED	9A05469200	HOLDER, LED
LED501	9A05462600	LED, SLR-54DU3
L501	9A05455300	COIL, FILTER INDUCTOR 10UH
Q501	9A05459800	TR, 2SC1740S
Q502	9A05460900	TR, DTA114ES
Q503	9A05459400	TR, 2SA933S
Q504	9A05460900	TR, DTA114ES
Q701, Q702	9A05459800	TR, 2SC1740S
SW501-515	9A05457000	SW, TACT
SW517-544	9A05457000	SW, TACT
VR701, 702	9A05447700	VR, ROTARY
X501	9A05456300	RESONATOR, CERMIC CST4. 19MGW

POWER PCB ASSY

REF. NO.	PARTS NO.	DESCRIPTION
	9A05473400	PCB ASSY, POWER [US, C]
	9A05473410	PCB ASSY, POWER [E]
	9A05473420	PCB ASSY, POWER [GE]
	9A05468200	TERMINAL
	△ 9A05477400	SW, SLIDE 3C2P AC250V/5A
A751	△ 9A05457200	SOCKET, RECEPTACLE [US, C, GE]
A752, A753	△ 9A05476200	SOCKET, RECEPTACLE [E]
C751	△ 9A05449500	C, CERAMIC 0. 01UF/500V
C753	△ 9A05450600	C, CERAMIC 0. 01UF
C754	△ 9A05450900	C, CERAMIC 0. 0047UF/AC250V
C755	△ 9A05454000	C, ELECT 330UF/25V M
C760	△ 9A05454400	C, ELECT 47UF/50V M
CN103	9A05464700	CN. WIRE TRAP 5P
D751-D755	△ 9A05461300	D, 1N4002A
D756, D757	9A05461200	D, 1SS133T-77
D758	9A05461700	D, ZENER MTZ6. 2B 0. 5W
D760, D761	△ 9A05461300	D, 1N4002A
F1	△ 9A05457900	FUSE, 125V 6A [US, C]
F1	△ 9A05457700	FUSE, 250V 2. 5A [GE]
F2	△ 9A05457700	FUSE, 250V 2. 5A [E, GE]
F3	△ 9A05457700	FUSE, 250V 2. 5A
F1 -F3	9A05457600	HOLDER, FUSE CLIP
P1	9A05463400	CN. WAFER 2P
Q751	9A05459900	TR, KSC1845F
Q752	9A05460300	TR, KSD882Y
RY751	△ 9A05458100	RELAY, DC12V 10A
R754	△ 9A05444400	R, CARBON 3. 3M J 1/2W [US, C]
T751	△ 9A05473900	POWER TRANS 120V, 60HZ [US, C]
T751	△ 9A05477200	POWER TRANS 230V, 50HZ [E]
T751	△ 9A05478300	POWER TRANS 120V/240V [GE]

INCLUDED ACCESSORIES

REF. NO.	PARTS NO.	DESCRIPTION	REMARKS
	9A05440100	OWNER'S MANUAL (AG-SV7150)	
	9A05471500	OWNER'S MANUAL (AG-V6200)	
	9A05474100	REMOTE CONTROL UNIT	
	9A05458000	BATTERY, DRY	
	9A05455900	ANTENNA, LOOP AM	
	9A05456000	ANTENNA, FM T	
	9A05562300	ANTENNA MODULE [E]	

AG-V6200

TEAC

TEAC CORPORATION	3-7-3, Nakacho, Musashino-shi, Tokyo 180, Japan	Phone:(0422)52-5081
TEAC AMERICA, INC.	7733 Telegraph Road, Montebello, California 90640	Phone:(213)726-0303
TEAC CANADA LTD.	340 Brunel Road, Mississauga, Ontario L4Z 2C2, Canada	Phone:905-890-8008
TEAC UK LIMITED	5 Marlin House, Marlins Meadow, The Croxley Centre, Watford, Herts. WD1 8YA, U.K.	Phone:01923-819699
TEAC DEUTSCHLAND GmbH	Bahnstrasse 12, 65205 Wiesbaden-Erbenheim, Germany	Phone:0611-71580
TEAC FRANCE S.A.	17, Rue Alexis-de-Tocqueville, CE 005 92182 Antony Cedex, France	Phone:(1)42.37.01.02
TEAC NEDERLAND BV	Perkinsbaan 11, 3439 ND Nieuwegein, Nederland	Phone:03-402-30229
TEAC AUSTRALIA PTY., LTD. A.C.N. 005 408 462	106 Bay Street, Port Melbourne, Victoria 3207, Australia	Phone:(03)646-1733
TEAC ITALIANA S.p.A.	Via C. Cantù 5, Cinisello Balsamo, Milano, Italy	Phone:02-66010500