

TEAC



SERVICE MANUAL

A-L700P

Power Amplifier

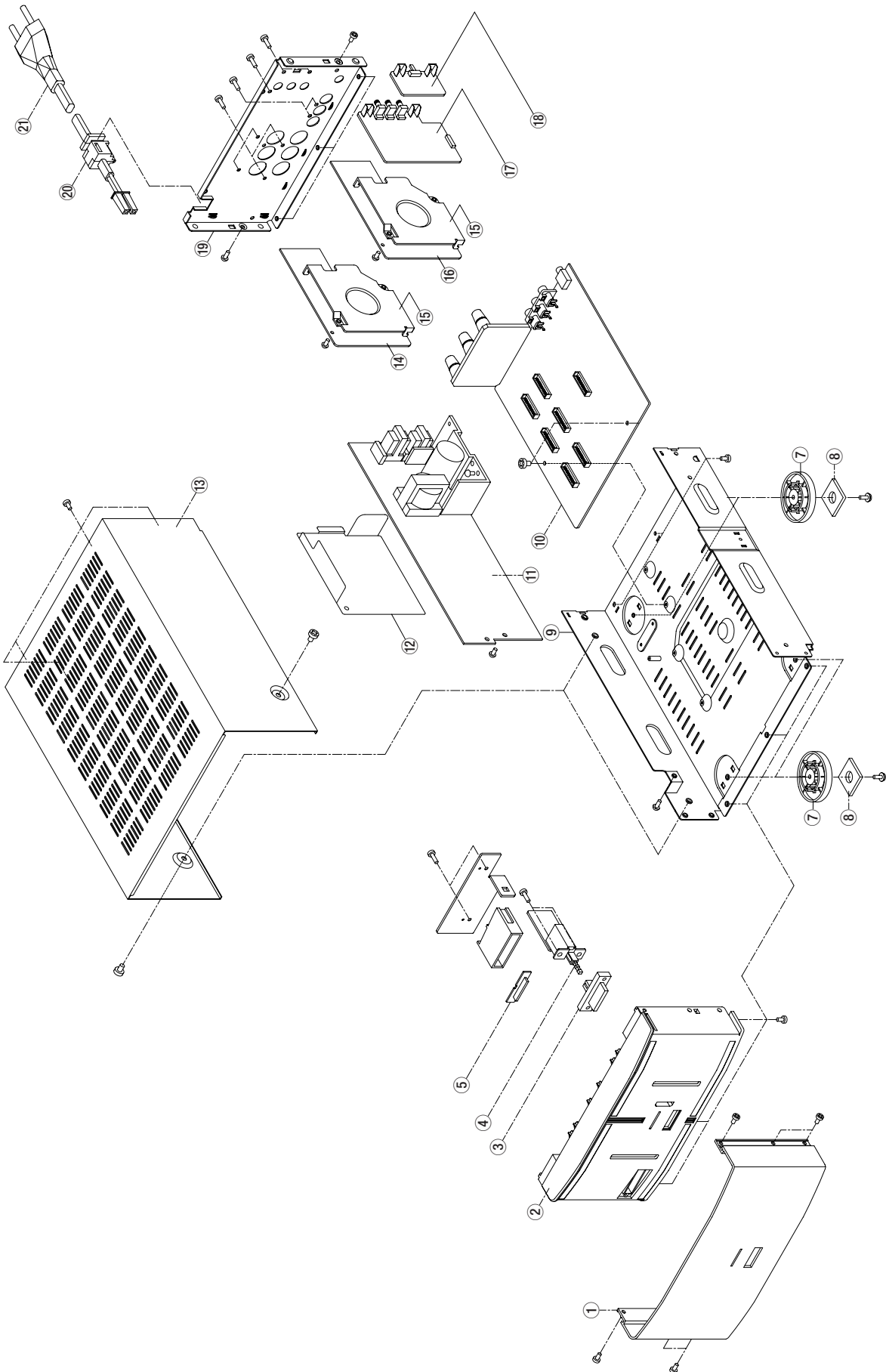
CONTENTS

1 SPECIFICATIONS	2
2 ADJUSTMENTS	2
3 EXPLODED VIEWS AND PARTS LIST	3
4 PC BOARDS AND PARTS LIST	5

NOTES

- PC boards shown are viewed from parts side.
- The parts with no reference number or no parts number in the exploded views are not supplied.
- As regards the resistors and capacitors, refer to the circuit diagrams contained in this manual.
- \triangle Parts marked with this sign are safety critical components. They must be replaced with identical components - refer to the appropriate parts list and ensure exact replacement.
- Parts of [] mark can be used only with the version designated.
[US]:U. S. A. [C]:CANADA [E]:EUROPE [UK]:U. K.

3 EXPLODED VIEWS AND PARTS LIST



EXPLODED VIEW LIST

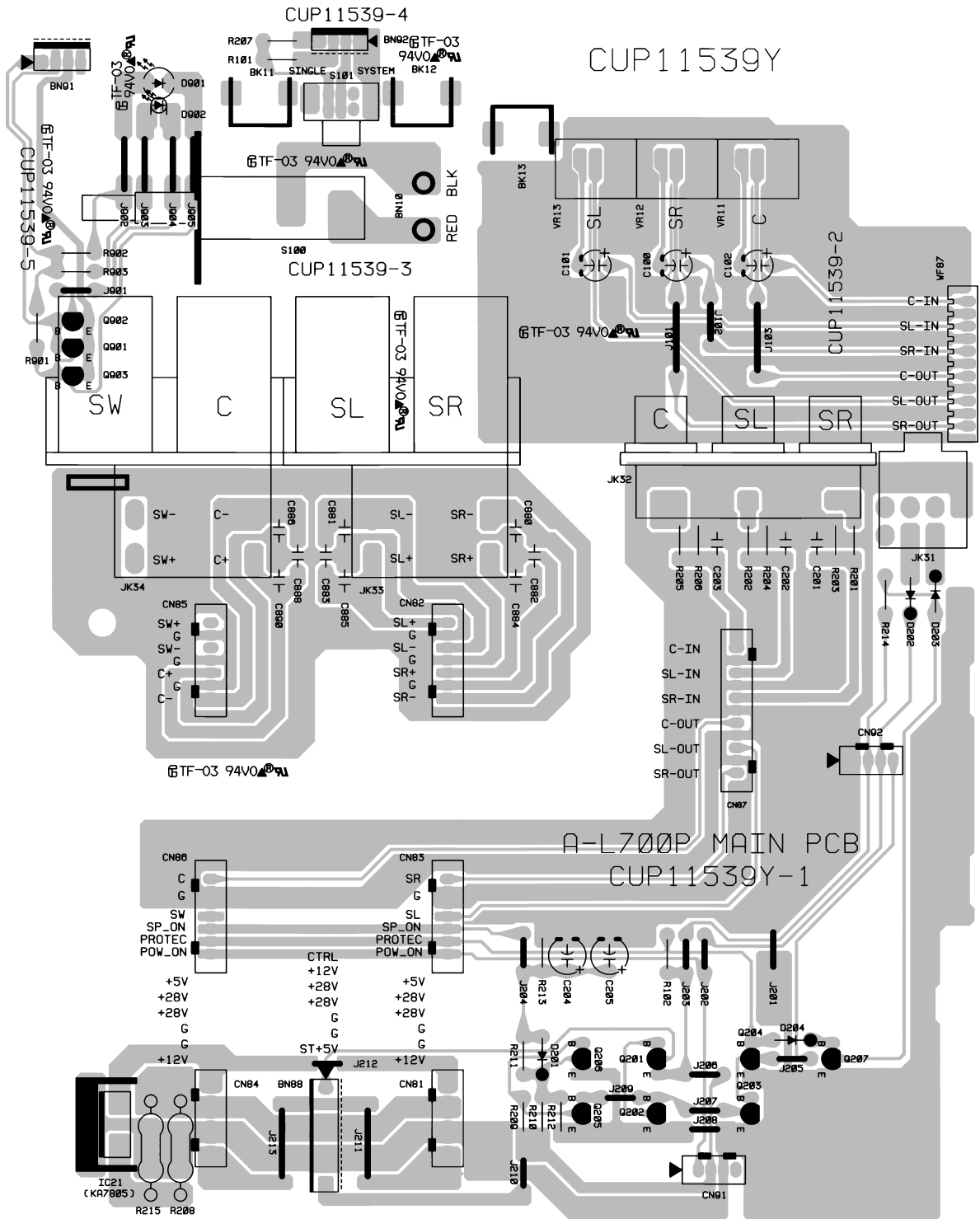
REF. NO.	PARTS NO.	DESCRIPTION	REMARKS
1	9A09610100	PANEL, FRONT	KKM1A125ZC35
2	9A09607100	PANEL, SUB	CGW1A344R6K101
3	9A09606900	KNOB, POWER	CBC1A140M7K101
4	△ 9A09609700	SW, PUSH	HS1A008ZV
5	9A09607000	INDICATOR, POWER	CGL1A202
7	9A09609400	FOOT	HKL1A074Z
8	9A06229300	CUSHION, FOOT	KHG1A039Z
9	9A09608700	CHASSIS, BOTTOM	CUA1A216
10	9A09575110	MAIN PCB ASSY	COP11539B
11	9A09574710	SMPS PCB ASSY [US, C]	COPDDS140B
	9A09574720	SMPS PCB ASSY [E, UK]	COPDDS140A
12	9A09608100	INSULATOR, SMPS	CMX1A136
13	9A09607700	TOP CABINET	CKC1B131S35
14	9A09574810	AMP PCB ASSY	COP11528B
15	9A09608200	PLATE, HEAT SINK	CMY1A200
16	9A09574810	AMP PCB ASSY	COP11528B
17	9A09575110	MAIN PCB ASSY	COP11539B
18	9A09575110	MAIN PCB ASSY	COP11539B
19	9A09607810	REAR PANEL [US, C]	CKF1A243X
	9A09607820	REAR PANEL [E, UK]	CKF1A243Z
20	△ 9A06754900	BUSHING, AC CORD	KHR1A028
21	△ 9A07872600	POWER CORD [US, C]	CJA523FBY
	△ 9A07916700	POWER CORD [E]	CJA2B043Z
	△ 9A07916800	POWER CORD [UK]	CJA2E045Z
	9A09607900	FERRITE, RING	CLZ9W003Z

INCLUDED ACCESSORIES

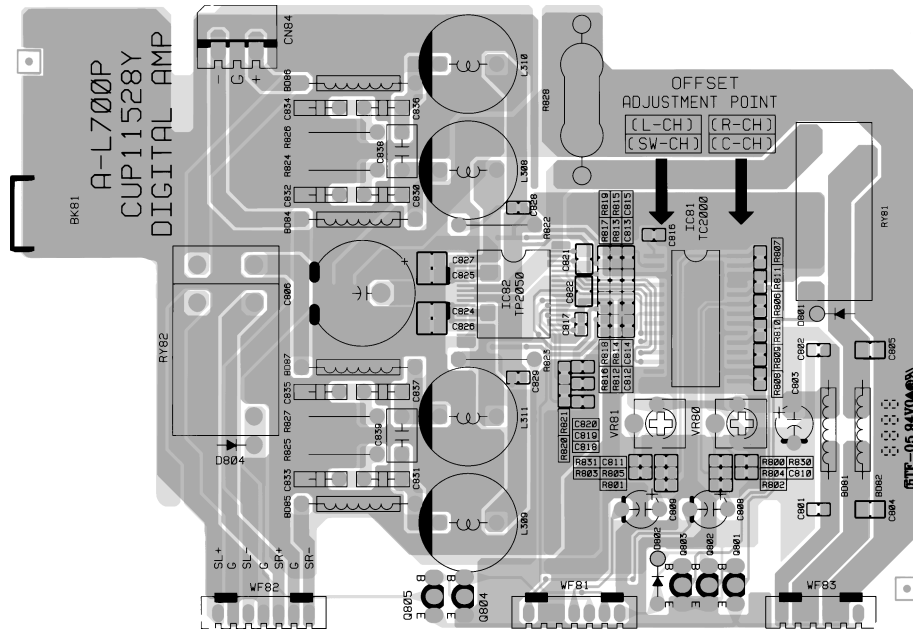
REF. NO.	PARTS NO.	DESCRIPTION	REMARKS
	9A09478700	OWNER'S MANUAL, EFSGIN	CQX1A807Z
	9A09607500	CORD, PIN	CJS4M027Z
	9A09607600	CORD, PIN	CJS4N014Z
	9A09610000	CORD (STEREO) MINI	KJS9D001Z

4 PC BOARDS AND PARTS LIST

MAIN PCB (GATHER)



AMP PCB



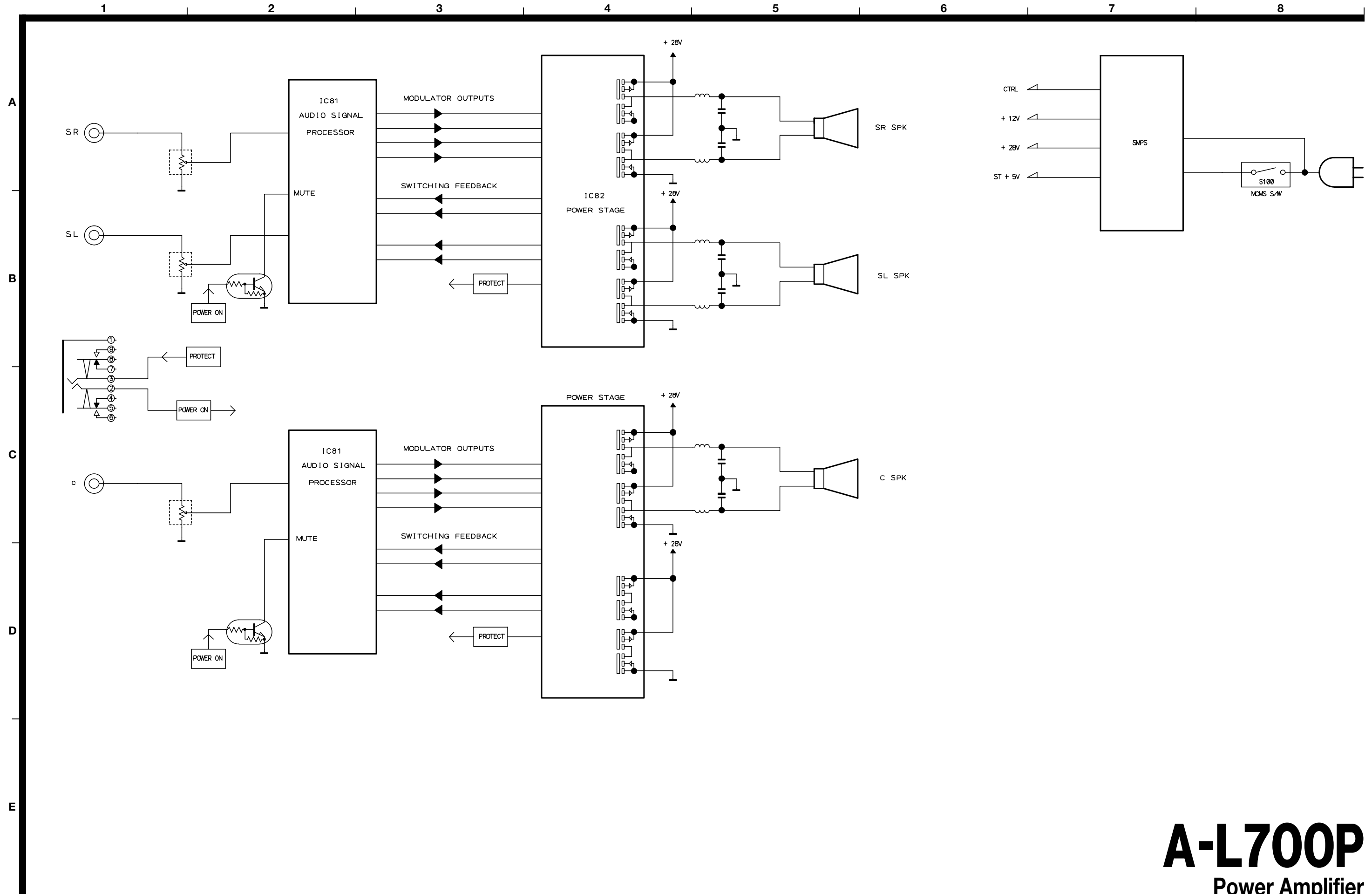
MAIN PCB ASSY (GATHER)

REF. NO.	PARTS NO.	DESCRIPTION
	9A09575110	MAIN PCB ASSY
	9A09608900	PCB, MAIN
	9A09608000	PLATE, EARTH
BK11-BK13	9A09559700	BRACKET, PCB
CN81	9A07889700	WAFER, MOLEX 35336-0610
CN82, CN83	9A07889900	WAFER, MOLEX 35336-0710
CN84	9A07889700	WAFER, MOLEX 35336-0610
CN85, CN86	9A07889900	WAFER, MOLEX 35336-0710
CN87	9A08219800	WAFER
CN91, CN92	9A05356300	WAFER, 04GA19ZM
D201-D204	9A08878200	DIODE, 1SS133T-77
D901	9A09344400	LED, YELLOW
D902	9A09563300	LED, BLUE
IC21	△ 9A08218600	IC, MC7805C
JK31	9A06861800	JACK, HEADPHONE
JK32	9A09607300	JACK, BOARD 3P
JK33	9A09607400	TERMINAL, SP (RR/BB)
JK34	9A09595100	TERMINAL, SP (R/B)
Q201	9A08884100	TR, KRA107M
Q202-Q207	9A08878300	TR, KRC107M
Q901-Q903	9A08878300	TR, KRC107M
R208, R215	△ 9A05338200	R, METAL OXIDE FILM 1W 390
S100	△ 9A09609700	SW, PUSH
S101	9A06675300	SW, SLIDE
VR11-VR13	9A09609900	VR, VOL
WF87	9A08219900	CONNECTOR

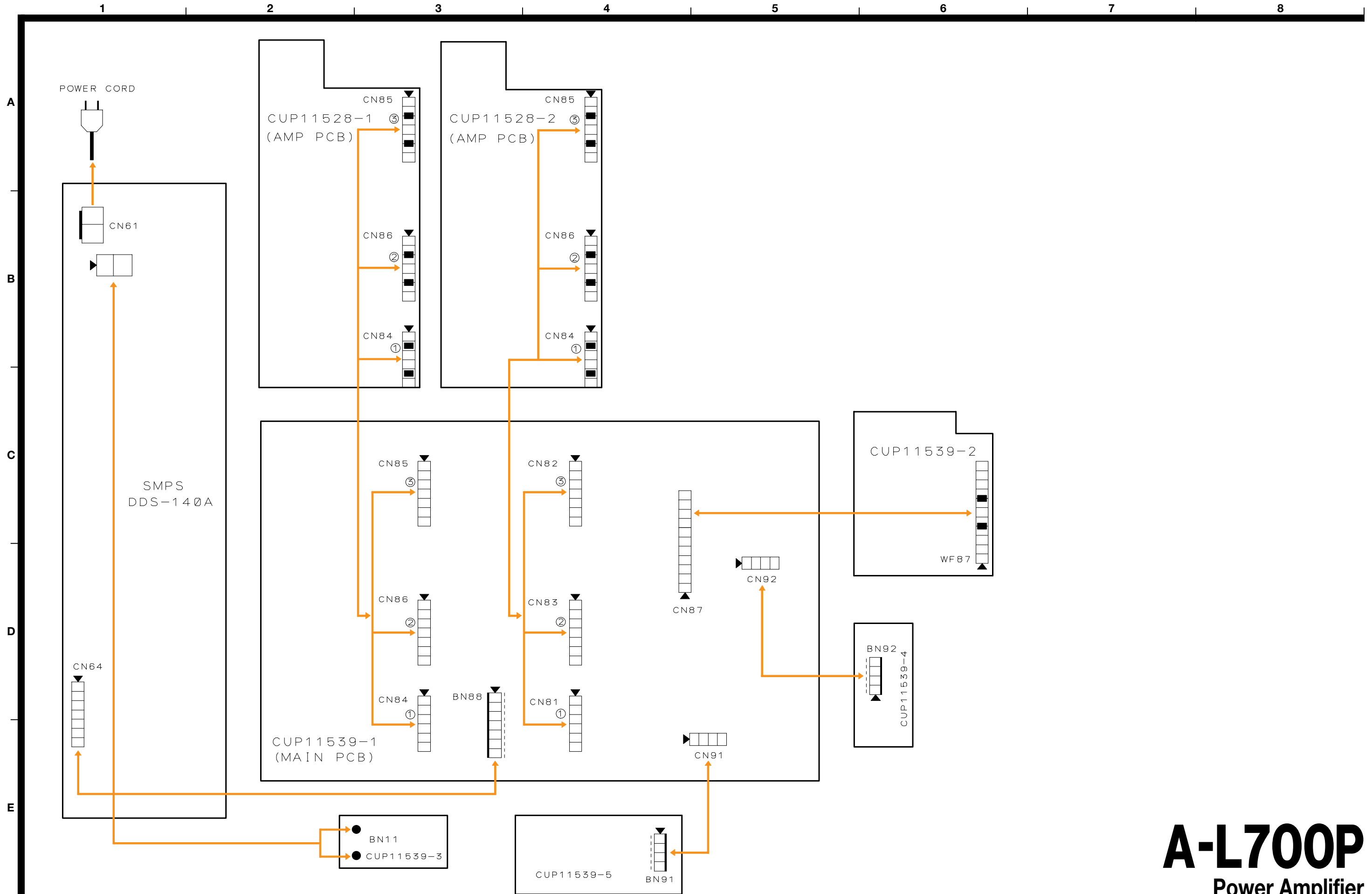
AMP PCB ASSY

REF. NO.	PARTS NO.	DESCRIPTION
	9A09574810	AMP PCB ASSY
	9A09608800	PCB, AMP
	9A09608200	PLATE, HEAT SINK
BD81, BD82	9A07050600	BEAD, CORE
BD84-BD87	9A07050600	BEAD, CORE
BK81	9A09559700	BRACKET, PCB
CN84	9A05967900	WAFER, MOLEX 5268-03A
D801, D802	9A08878200	DIODE, 1SS133T-77
D804	9A08878200	DIODE, 1SS133T-77
IC81	9A09570400	IC, TC2000
IC82	△ 9A09570600	IC, TP2050
L308-L311	9A09559500	COIL, SPEAKER
Q801	9A08884100	TR, KRA107M
Q802, Q803	9A08878300	TR, KRC107M
Q804	9A09041400	TR, KRC111MT
Q805	9A08884100	TR, KRA107M
R822, R823	9A09571600	R, METAL FILM
R828	△ 9A09571700	R, METAL OXIDE FILM 2W 1K
RY81	9A09569900	RELAY
RY82	9A09058500	RELAY
VR80, VR81	9A09609800	R, SEMI-FIXED 5K
WF81, WF82	9A07890000	CONNECTOR, MOLEX 35237-0710
WF83	9A07889800	CONNECTOR, MOLEX 35237-0610

TEAC BLOCK DIAGRAM A-L700P

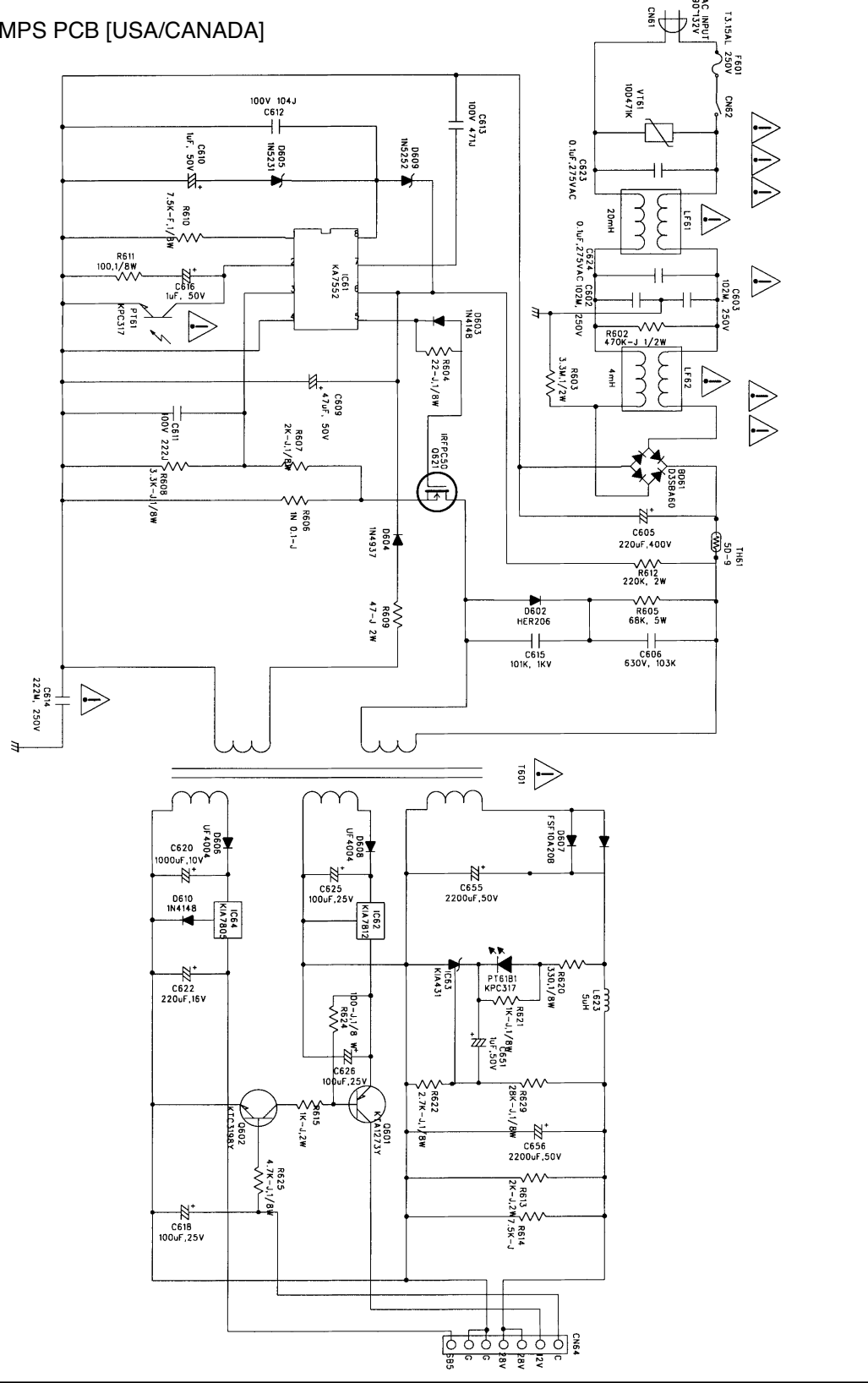


TEAC WIRING DIAGRAM A-L700P

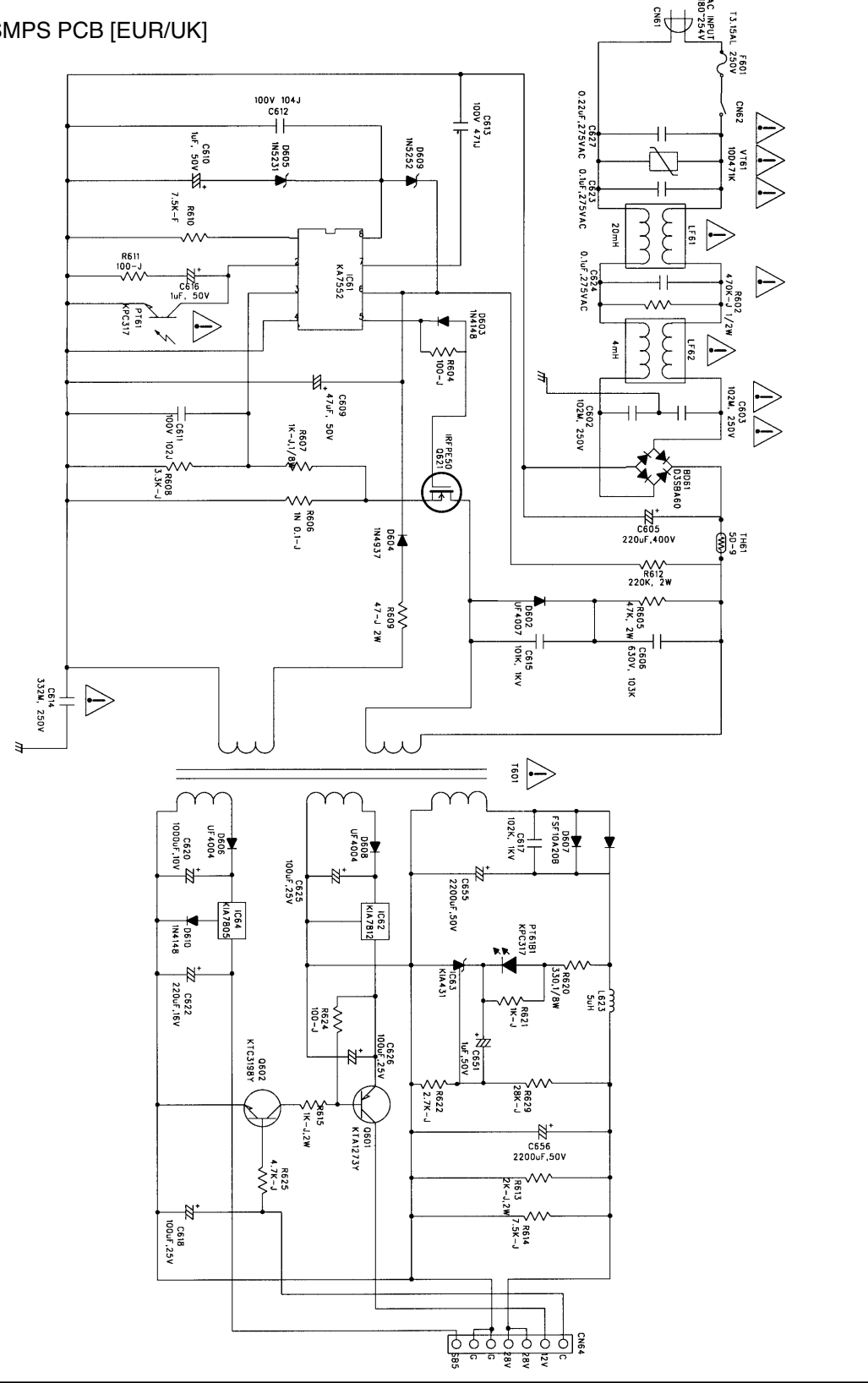


A
B
C
D
E

SMPS PCB [USA/CANADA]



SMPS PCB [EUR/UK]



INSTRUCTIONS FOR SERVICE PERSONNEL
BEFORE RETURNING APPLIANCE TO THE CUSTOMER, MAKE LEAKAGE-CURRENT OR RESISTANCE MEASUREMENTS TO DETERMINE THAT EXPOSED PARTS ARE ACCEPTABLY INSULATED FROM THE SUPPLY CIRCUIT.

NOTES:
 △ Parts marked with this sign are safety critical components. They must always be replaced with identical components—refer to the appropriate parts list and ensure exact replacement.

AMPLIFIER A-R300 EX

	LEVEL	PARTS NO.	DESCRIPTION	Q'TY	REF.NO.	M•R
1	1	9A05808200	REMOCON TRANSMITTER ASS'Y	1		ANAM
2	•2	9A05918500	IC,UPD6126AG	1	IC81	ANAM
3	•2	9A05988900	REMOCON TRANSMITTER ASS'Y	1		ANAM
4	••3	9A05990800	BAG,POLY 1A008Z	1		ANAM
5	••3	9A05990900	BOX,PACKING	1		ANAM
6	••3	9A05991000	REMOCON	1		ANAM
7	•••4	9A01533600	SCREW AG-55	1		ANAM
8	•••4	9A06018200	NAME,PLATE	1		ANAM
9	•••4	9A06018300	ORNAMENT,SHEET	1		ANAM
10	•••4	9A06018400	RUBBER,FUNCTION	1		ANAM
11	•••4	9A06018500	SPRING,COIL	1		ANAM
12	•••4	9A06018600	COVER,BATTERY	1		ANAM
13	•••4	9A06018700	CASE, TOP RECEIVER	1		ANAM
14	•••4	9A06018800	CASE,BOTTOM	1		ANAM
15	•••4	9A06018900	REMOCON PCB ASS'Y	1		ANAM
16	••••5	9A01378300	R,CARBON 1/5W 100	1	R802	ANAM
17	••••5	9A01379000	R,CARBON 1/5W 560	1	R801	ANAM
18	••••5	9A01385800	CAP,CERAMIC 100PF/50V	2	C802, 803	ANAM
19	••••5	9A01391900	LED (RED) SLC22VR	1	D802	ANAM
20	••••5	9A01394800	RESONATOR,CERAMIC CSB455E	1	X801	ANAM
21	••••5	9A01409800	R,CARBON 20TJ1R0T	1	R803	ANAM
22	••••5	9A05323300	CAP,CERAMIC D1H103ZF	1	C804	ANAM
23	••••5	9A05341200	SPRING (A) , BATTERY	1		ANAM
24	••••5	9A05341300	SPRING (B) , BATTERY	1		ANAM
25	••••5	9A05341400	LED , IR AF-HP51	1	D801	ANAM
26	••••5	9A05341800	TR, KTC3203Y	1	Q801	ANAM
27	••••5	9A05892500	CAP,ELECT 47UF/25V	1	C801	ANAM
28	••••5	9A05918500	IC,UPD6126AG	1	IC81	ANAM
29	••••5	9A06031400	SUPPORT,LED	1		ANAM
30	••••5	9A06031500	PCB,REMOCON	1		ANAM
31	••••5	9A06059900	SOLDER WIRE SN:PB=60:40	5		ANAM
32	1	9A05917600	BAG, POLY	1		ANAM
33	1	9A05918000	PAD, SNOW	2		ANAM
34	1	9A05921800	BOX, OUT CARTON	1		ANAM
35	1	9A05921900	LABEL,BAR CODE A-R300	1		ANAM
36	1	9A05936800	STAPLE (L=65MM)	8		ANAM
37	1	9A05983800	TAPE,OPP CLEAR 50M/M	1		ANAM
38	1	9A05983900	TAPE,CELLO OPP	1		ANAM
39	1	9A06164900	INSTRUCTION MANUAL ASS'Y	1		ANAM
40	•2	9A05573400	OWNES MNL,A-R500/300 MULT	1		ANAM
41	•2	9A05917700	BAG,POLY 1061Y	1		ANAM
42	•2	9A05984600	CE MARKING SHEET	1		ANAM
43	•2	9A05984800	STAPLE	3		ANAM
44	1	9A06169610	SET,AMPLIFIER EX	1		ANAM
45	•2	9A01377200	SCREW KTB3+8JFZ	8		ANAM
46	•2	9A01532600	SCREW KTB3+6J	12		ANAM
47	•2	9A05327300	CLAMPER KHR301	7		ANAM
48	•2	9A05339200	SCREW KTW3+8J	4		ANAM
49	•2	9A05891400	FOOT,FRONT	4		ANAM
50	•2	9A05891500	FOOT,CUSHION	4		ANAM
51	•2	9A05892300	CABINET, TOP	1		ANAM
52	••3	9A05985200	CABINET , TOP	1		ANAM
53	•2	9A05921700	RUBBER	3		ANAM
54	•2	9A05984300	SCREW KTB4+6FFZ	4		ANAM
55	•2	9A06169700	FRONT PANELASS'Y	1		ANAM
56	••3	9A01377400	SCREW,KTB3+10G	17		ANAM
57	••3	9A01377600	SCREW,KTWS3+10G	3		ANAM
58	••3	9A05886600	KNOB,VOLUME A3-95-2035	1		ANAM

59	..3	9A05886700	INDICATOR,VOLUME	1		ANAM
60	..3	9A05886800	KNOB,ROTARY A4-95-2188	4		ANAM
61	..3	9A05886900	PANEL,FRONT	1		ANAM
62	..3	9A05887000	INDICATOR,FUNCTION	8		ANAM
63	..3	9A05887200	KNOB,POWER A4-94-2186	1		ANAM
64	..3	9A05887300	KNOB,SPEAKER A4-88-0984	2		ANAM
65	..3	9A05887400	KNOB,TACT A3-95-2034	1		ANAM
66	..3	9A05887500	ORNAMENT,REMOTE	1		ANAM
67	..3	9A05892400	SCREW,KTB3+8F	2		ANAM
68	..3	9A05898400	BADGE TEAC (GOLD)	1		ANAM
69	..3	9A05984900	GUIDE,FLT	3		ANAM
70	..3	9A06169900	SUB PCB ASS'Y	1		ANAM
71	...4	9A01409200	TERMINAL,LUG	2		ANAM
72	...4	9A05194300	LED,SPR-39MVW3	1	D309	ANAM
73	...4	9A05195800	IC,MC4558S	1	IC32	ANAM
74	...4	9A05195800	IC,MC4558S	1	IC41	ANAM
75	...4	9A05316900	JACK HTJ064-05BG	1	JK04	ANAM
76	...4	9A05317300	IC,(RESET) RE5VA30CC	1	IC35	ANAM
77	...4	9A05326900	SUPPORT , LED	1		ANAM
78	...4	9A05329100	WAFER MOLEX 5267-03A	1	CN09	ANAM
79	...4	9A05329300	WAFER MOLEX 5267-04A	1	CN01	ANAM
80	...4	9A05329600	WAFER MOLEX 5267-06A	1	CN16	ANAM
81	...4	9A05887600	HOLDER,LED	1		ANAM
82	...4	9A05888400	WIRE ASS'Y	1	BN04	ANAM
83	...4	9A05888500	WIRE ASS'Y	1	BN05	ANAM
84	...4	9A05888600	WIRE ASS'Y	1	BN06	ANAM
85	...4	9A05888800	WIRE ASS'Y	1	BN25	ANAM
86	...4	9A05890200	WAFER MOLEX 5267-11A	1	CN25	ANAM
87	...4	9A05890600	RES,VARIABLE 2X01C104Z	2	VR31, 32	ANAM
88	...4	9A05890700	RES,VARIABLE 1U02W104Z	1	VR33	ANAM
89	...4	9A05890800	RES,VARIABLE 1U01B503Z	1	VR41	ANAM
90	...4	9A05890900	CRYSTAL	1	X301	ANAM
91	...4	9A05892600	WAFER(9P)	1	CN04	ANAM
92	...4	9A05893100	RES,VARIABLE AB02A104Z	1	VR71	ANAM
93	...4	9A05893500	WIRE ASS'Y	1	BN13	ANAM
94	...4	9A05893600	WIRE ASS'Y	1	BN15	ANAM
95	...4	9A05893700	WIRE ASS'Y	1	BN16	ANAM
96	...4	9A05895700	OUTLET,AC	1	JK06	ANAM
97	...4	9A05897400	TERMINAL,SPEKER	1		ANAM
98	...4	9A05917400	GROUND, SPEAKER	1		ANAM
99	...4	9A05918200	JACK, PHONE	1	JK05	ANAM
100	...4	9A05922100	SW PUSH(4C2P)SPUL19X1M081	2	SW39, 40	ANAM
101	...4	9A05967900	WAFER MOLEX 5268-03A	1	CN14	ANAM
102	...4	9A05986600	WIRE ASS'Y	1	JW96	ANAM
103	...4	9A05987100	RELAY HR-CR7-DC12V	1	RLY4	ANAM
104	...4	9A06011300	SENSOR,REMOCON	1	IC33	ANAM
105	...4	9A06059700	SOLDER,BAR S63S-W3.0	28		ANAM
106	...4	9A06059900	SOLDER WIRE SN:PB=60:40	6		ANAM
107	...4	9A06061600	TAPE,PAPER	1		ANAM
108	...4	9A06166200	THINNER	12		ANAM
109	...4	9A06166300	WIRE ASS'Y	1	BN14	ANAM
110	...4	9A06166400	WIRE ASS'Y	1	BN20	ANAM
111	...4	9A06166700	WAFER 02GA69ZP	1	WP01	ANAM
112	...4	9A06170100	SUB PCB AUTO ASS'Y	1		ANAM
1135	9A01378400	R,CARBON 1/5W 3.9K	2	R313, 314	ANAM
1145	9A01378600	R,CARBON 1/5W 4.7K	1	R705	ANAM
1155	9A01378600	R,CARBON 1/5W 4.7K	1	R707	ANAM
1165	9A01378700	R,CARBON 1/5W 47K	1	R402	ANAM
1175	9A01378700	R,CARBON 1/5W 47K	1	R414	ANAM
1185	9A01378700	R,CARBON 1/5W 47K	2	R418, 419	ANAM
1195	9A01378700	R,CARBON 1/5W 47K	1	R702	ANAM
1205	9A01378700	R,CARBON 1/5W 47K	1	R952	ANAM
1215	9A01378800	R,CARBON 1/5W 470K	4	R301- 304	ANAM
1225	9A01379100	R,CARBON 1/5W 56K	2	R305, 306	ANAM

1235	9A01379600	R,CARBON 1/5W 820	2	R309, 310	ANAM
1245	9A01379900	R,CARBON 1/4W 100	2	R368, 369	ANAM
1255	9A01379900	R,CARBON 1/4W 100	2	R426, 427	ANAM
1265	9A01380000	R,CARBON 1/4W 1K	1	R709	ANAM
1275	9A01380400	R,CARBON 1/5W 1K	2	R360, 363	ANAM
1285	9A01380400	R,CARBON 1/5W 1K	1	R401	ANAM
1295	9A01380400	R,CARBON 1/5W 1K	1	R413	ANAM
1305	9A01380400	R,CARBON 1/5W 1K	1	R417	ANAM
1315	9A01380400	R,CARBON 1/5W 1K	1	R423	ANAM
1325	9A01380400	R,CARBON 1/5W 1K	1	R708	ANAM
1335	9A01380600	R,CARBON 1/5W 10K	1	R315	ANAM
1345	9A01380600	R,CARBON 1/5W 10K	1	R351	ANAM
1355	9A01380600	R,CARBON 1/5W 10K	1	R415	ANAM
1365	9A01380600	R,CARBON 1/5W 10K	1	R701	ANAM
1375	9A01380600	R,CARBON 1/5W 10K	1	R704	ANAM
1385	9A01380600	R,CARBON 1/5W 10K	1	R706	ANAM
1395	9A01380600	R,CARBON 1/5W 10K	1	R951	ANAM
1405	9A01381000	R,CARBON 1/5W 150	1	R377	ANAM
1415	9A01381300	R,CARBON 1/5W 1.8K	2	R307, 308	ANAM
1425	9A01381500	R,CARBON 1/5W 22K	2	R311, 312	ANAM
1435	9A01381500	R,CARBON 1/5W 22K	7	R352- 358	ANAM
1445	9A01381500	R,CARBON 1/5W 22K	1	R412	ANAM
1455	9A01381500	R,CARBON 1/5W 22K	1	R424	ANAM
1465	9A01381500	R,CARBON 1/5W 22K	1	R455	ANAM
1475	9A01381700	R,CARBON 1/5W 220K	1	R429	ANAM
1485	9A01381800	R,CARBON 1/5W 330	2	R366, 367	ANAM
1495	9A01381800	R,CARBON 1/5W 330	1	R454	ANAM
1505	9A01386000	C,CERAMIC 1000PF/50V	2	C303, 304	ANAM
1515	9A01386100	CAP,CERAMIC 0.01UF/50V	1	C001	ANAM
1525	9A01386100	CAP,CERAMIC 0.01UF/50V	1	C357	ANAM
1535	9A01386600	CAP,CERAMIC 330PF/50V	2	C305, 306	ANAM
1545	9A01390500	DIODE,1N4148MT	1	D401	ANAM
1555	9A01390600	DIODE,1N4148T	1	D915	ANAM
1565	9A01398800	R,CARBON 1/5W 470	2	R379, 380	ANAM
1575	9A01410500	R,CARBON 1/5W 220	1	R350	ANAM
1585	9A01415000	CAP,MYLAR 0.0047UF/50V	2	C313, 314	ANAM
1595	9A01415400	CAP,MYLAR 0.01UF/50V J	1	C701	ANAM
1605	9A01415400	CAP,MYLAR 0.01UF/50V J	2	C704, 705	ANAM
1615	9A01415500	CAP,MYLAR 0.0022UF/50V	2	C315, 316	ANAM
1625	9A01415500	CAP,MYLAR 0.0022UF/50V	6	C706- 711	ANAM
1635	9A03745000	TR,KSC2785-YTA	2	Q401, 402	ANAM
1645	9A04882500	SW,TACT SKHV10910A	8	SW31- 38	ANAM
1655	9A05196900	TR,KSR1206TA	6	Q301- 306	ANAM
1665	9A05196900	TR,KSR1206TA	3	Q308- 310	ANAM
1675	9A05196900	TR,KSR1206TA	2	Q316, 317	ANAM
1685	9A05196900	TR,KSR1206TA	2	Q321, 322	ANAM
1695	9A05197200	TR,KTA1271YT	2	Q702, 703	ANAM
1705	9A05197400	TR,KTC3203YT	2	Q704, 705	ANAM
1715	9A05197400	TR,KTC3203YT	1	Q914	ANAM
1725	9A05198800	TR,KSR2204TA	1	Q307	ANAM
1735	9A05198800	TR,KSR2204TA	4	Q311- 314	ANAM
1745	9A05198800	TR,KSR2204TA	1	Q320	ANAM
1755	9A05318500	CC, 22000PF Z F 25V	2	C017, 019	ANAM
1765	9A05318500	CC, 22000PF Z F 25V	2	C352, 353	ANAM
1775	9A05318800	CAP,CERAMIC 1000PF/50V K	1	C401	ANAM
1785	9A05318800	CAP,CERAMIC 1000PF/50V K	1	C430	ANAM
1795	9A05318900	CAP,CERAMIC 0.1UF/50V Z	1	C361	ANAM
1805	9A05319200	CAP,CERAMIC 18PF/50V J	2	C354, 355	ANAM
1815	9A05319300	CAP,CERAMIC 180PF/50V K	1	C403	ANAM
1825	9A05320400	CAP,CERAMIC 0.047UF/50V Z	2	C371, 372	ANAM
1835	9A05320400	CAP,CERAMIC 0.047UF/50V Z	1	C432	ANAM
1845	9A05323900	CAP,MYLAR I1H123JZ3	2	C317, 318	ANAM
1855	9A05324500	CAP,MYLAR I1H393JZ3	1	C402	ANAM
1865	9A05324600	CAP,MYLAR I1H683JZ	2	C319, 320	ANAM

1875	9A05328200	HOLDER,FUSE KJCF5S	2		ANAM
1885	9A05336800	R,CARBON 1/4W 22K	1	R359	ANAM
1895	9A05888100	SUB PCB	1		ANAM
1905	9A05889000	CAP,ELECT 22UF/50V	2	C301, 302	ANAM
1915	9A05889300	CAP,CERAMIC R1H560JC	2	C307, 308	ANAM
1925	9A05889500	CAP,ELECT 10UF/25V	2	C309, 310	ANAM
1935	9A05889500	CAP,ELECT 10UF/25V	1	C404	ANAM
1945	9A05889500	CAP,ELECT 10UF/25V	2	C406, 407	ANAM
1955	9A05889500	CAP,ELECT 10UF/25V	1	C409	ANAM
1965	9A05889600	CAP,ELECT 4.7UF/50V	2	C311, 312	ANAM
1975	9A05889700	CAP,ELECT 100UF/25V	2	C350, 351	ANAM
1985	9A05889800	CAP,ELECT 1UF/50V	1	C356	ANAM
1995	9A05889800	CAP,ELECT 1UF/50V	1	C358	ANAM
2005	9A05890000	CAP,ELECT 100UF/6.3V	1	C360	ANAM
2015	9A05890100	CAP,ELECT 0.22UF/50V	1	C405	ANAM
2025	9A05890300	LED,YELLOW SLR342YCF02	6	D301- 306	ANAM
2035	9A05890300	LED,YELLOW SLR342YCF02	1	D450	ANAM
2045	9A05892500	CAP,ELECT 47UF/25V	2	C702, 703	ANAM
2055	9A05892800	TR,KTC3198YT	1	Q701	ANAM
2065	9A05918300	IC, BVIANAM1128A	1	IC31	ANAM
2075	9A05972300	CAP,CERAMIC 0.0022UF	1	C408	ANAM
2085	9A06065800	R,CARBON 1/4W 18	1	R710	ANAM
209	..2	9A06169810	BOTTOM CHASSIS ASS'Y EX	1		ANAM
210	..3	9A01375500	PCB HOLDER A-60	1		ANAM
211	..3	9A01376900	BUSHING,AC CORD HEYCO(SR-	1		ANAM
212	..3	9A01377200	SCREW KTB3+8JFZ	7		ANAM
213	..3	9A01377300	SCREW,KTB3+10GFZ	12		ANAM
214	..3	9A01477800	SCREW,KTB4*8F	4		ANAM
215	..3	9A01532600	SCREW KTB3+6J	15		ANAM
216	..3	9A05306900	FUSE F2.5A	1	F901	ANAM
217	..3	9A05326800	RUBBER DC-D2200DC	1		ANAM
218	..3	9A05339100	SCREW KTW3+12J	1		ANAM
219	..3	9A05339200	SCREW KTW3+8J	2		ANAM
220	..3	9A05891100	CHASSIS,FRONT	1		ANAM
221	..3	9A05891300	CHASSIS,BOTTOM	1		ANAM
222	..3	9A05891900	PLATE,BOTTOM	1		ANAM
223	..3	9A05892000	GUIDE,BOTTOM	1		ANAM
224	..3	9A05892100	PANEL,REAR	1		ANAM
225	..3	9A05897600	CORD, POWER(EX)	1		ANAM
226	..3	9A05910000	TRANS,POWER(EX)	1		ANAM
227	..3	9A05916200	CUSION 25X20,22T	1		ANAM
228	..3	9A05917000	CORE, FILTER RING	1		ANAM
229	..3	9A05917200	GROUND TERMINAL	1		ANAM
230	..3	9A05961100	CLAMPER, WIRE	1		ANAM
231	..3	9A05989900	PLATE,SHORT PIN	2		ANAM
232	..3	9A05990000	PIN,SHORT	2		ANAM
233	..3	9A06165400	WASHER,SPRING	4		ANAM
234	..3	9A06165600	TRANS POWER PCB ASS'Y	1		ANAM
235	...4	9A05967900	WAFER MOLEX 5268-03A	1	CN19	ANAM
236	...4	9A05986600	WIRE ASS'Y	1	JW94	ANAM
237	...4	9A06167800	TRANS POWER AUTO ASS'Y	1		ANAM
2385	9A01415500	CAP,MYLAR 0.0022UF/50V	4	C965- 968	ANAM
2395	9A01415800	CAP,MYLAR I1H473JZ3	2	C969, 970	ANAM
2405	9A05323600	CAP,MYLAR I1H104JZ	4	C961- 964	ANAM
2415	9A05915600	TRAS PCB	1		ANAM
242	..3	9A06165700	RIVET,NYLON	1		ANAM
243	..3	9A06165800	TUBE,(UL,VINYL)	2		ANAM
244	...4	9A06018100	TUBE,(UL;VINYL)	1		ANAM
245	..3	9A06165900	TUBE	2		ANAM
246	...4	9A06167900	TUBE,(UL;VINYL)	1		ANAM
247	..3	9A06170000	MAIN PCB ASS'Y	1		ANAM
248	...4	9A01388300	TR,KSD288-Y-AB	1	Q901	ANAM
249	...4	9A01402000	CAP,ELECT 2200UF/25V	2	C909, 910	ANAM
250	...4	9A01423700	RELAY	1	RLY3	ANAM

251	...4	9A01535800	SCREW,KT B3+8J	4		ANAM
252	...4	9A04875100	COIL, DC-D2100	2	L101, 102	ANAM
253	...4	9A04876000	JACK BOARD, DC-D2100	3		ANAM
254	...4	9A04881100	IC,STK4192(2)	1	IC11	ANAM
255	...4	9A04929100	IC,GD4051B	2	IC55, 56	ANAM
256	...4	9A05195800	IC,MC4558S	4	IC51- 54	ANAM
257	...4	9A05196100	IC,ASS'Y MC7812VA	1	IC93	ANAM
2585	9A01535800	SCREW,KT B3+8J	1		ANAM
2595	9A05196000	IC,KA7812-ABTU	1		ANAM
2605	9A05333600	HEAT SINK 1A043	1		ANAM
2615	9A06066300	COMPOUND,SILICONE	2		ANAM
262	...4	9A05328900	WAFER MOLEX 5267-02A	1	CN05	ANAM
263	...4	9A05328900	WAFER MOLEX 5267-02A	1	CN15	ANAM
264	...4	9A05329300	WAFER MOLEX 5267-04A	1	CN05	ANAM
265	...4	9A05329600	WAFER MOLEX 5267-06A	1	CN13	ANAM
266	...4	9A05333900	PLATE,EARTH	1		ANAM
267	...4	9A05338000	RES,METAL 10 OHM 1W J	2	R123, 124	ANAM
268	...4	9A05339200	SCREW KTW3+8J	4		ANAM
269	...4	9A05890200	WAFER MOLEX 5267-11A	1	CN06	ANAM
270	...4	9A05891600	HEAT SINK	1		ANAM
271	...4	9A05891700	BRACKET,HEAT	2		ANAM
272	...4	9A05893300	WIRE ASS'Y	1	BN01	ANAM
273	...4	9A05893400	WIRE ASS'Y	1	BN09	ANAM
274	...4	9A05893800	WIRE ASS'Y	1	BN19	ANAM
275	...4	9A05894500	CAP,CERAMIC 0.01UF,500V	2	C901, 902	ANAM
276	...4	9A05894500	CAP,CERAMIC 0.01UF,500V	2	C903, 904	ANAM
277	...4	9A05894700	WAFER(5P)	1	CN20	ANAM
278	...4	9A05896300	R.,0.22-OHM,5W	2	R119, 120	ANAM
279	...4	9A05896400	R.,4.7-OHM,1W	2	R121, 122	ANAM
280	...4	9A05896500	R.,390-OHM,2W	2	R151, 152	ANAM
281	...4	9A05896900	R,CARBON 1/2W 12K	2	R901, 902	ANAM
282	...4	9A05896900	R,CARBON 1/2W 12K	2	R903, 904	ANAM
283	...4	9A05897000	R.,22-OHM,2W	1	R905	ANAM
284	...4	9A05897200	RES,FUSE 0.47-OHM,1W	2	R944, 945	ANAM
285	...4	9A05898100	R,CARBON 1/2W 3.3K	2	R109, 110	ANAM
286	...4	9A05898100	R,CARBON 1/2W 3.3K	2	R111, 112	ANAM
287	...4	9A05916800	JACK, BOARD	1		ANAM
288	...4	9A05918600	DIODE, BRIGE PBPC803F	1	D901	ANAM
289	...4	9A05922400	CAP,ELECT 6800UF/63V	2	C905, 906	ANAM
290	...4	9A05987000	DIODE,BRIDGE W02GF	1	D902	ANAM
291	...4	9A05987100	RELAY HR-CR7-DC12V	2	RLY1, 2	ANAM
292	...4	9A05988100	SCREW	2		ANAM
293	...4	9A06059700	SOLDER,BAR S63S-W3.0	48		ANAM
294	...4	9A06059900	SOLDER WIRE SN:PB=60:40	8		ANAM
295	...4	9A06166200	THINNER	15		ANAM
296	...4	9A06167000	WIRE ASS'Y MOLEX 5267-02A	1	BN22	ANAM
297	...4	9A06167200	CAP,ELECT A1ER102E	1	C926	ANAM
298	...4	9A06167400	IC ASS'Y MC7815VA	1	IC91	ANAM
2995	9A01535800	SCREW,KT B3+8J	1		ANAM
3005	9A05333600	HEAT SINK 1A043	1		ANAM
3015	9A05895100	IC MC7815C	1		ANAM
3025	9A06066300	COMPOUND,SILICONE	1		ANAM
303	...4	9A06167500	IC ASS'Y MC7915VA	1	IC92	ANAM
3045	9A01535800	SCREW,KT B3+8J	1		ANAM
3055	9A05333600	HEAT SINK 1A043	1		ANAM
3065	9A05895200	IC MC7915C	1		ANAM
3075	9A06066300	COMPOUND,SILICONE	1		ANAM
308	...4	9A06167600	WIRE ASS'Y D212350VV	1	JW91	ANAM
309	...4	9A06167600	WIRE ASS'Y D212350VV	1	JW93	ANAM
310	...4	9A06167700	WIRE ASS'Y D202350VV	1	JW92	ANAM
311	...4	9A06170200	MAIN PCB AUTO ASS'Y	1		ANAM
3125	9A01378600	R,CARBON 1/5W 4.7K	2	R567, 568	ANAM
3135	9A01378700	R,CARBON 1/5W 47K	1	R207	ANAM
3145	9A01378700	R,CARBON 1/5W 47K	2	R541, 542	ANAM

3155	9A01378700	R,CARBON 1/5W 47K	3	R920- 922	ANAM
3165	9A01378700	R,CARBON 1/5W 47K	1	R926	ANAM
3175	9A01378700	R,CARBON 1/5W 47K	2	R928, 929	ANAM
3185	9A01379000	R,CARBON 1/5W 560	1	R513	ANAM
3195	9A01379100	R,CARBON 1/5W 56K	2	R103, 104	ANAM
3205	9A01379100	R,CARBON 1/5W 56K	2	R107, 108	ANAM
3215	9A01379100	R,CARBON 1/5W 56K	1	R208	ANAM
3225	9A01379100	R,CARBON 1/5W 56K	2	R505, 506	ANAM
3235	9A01379100	R,CARBON 1/5W 56K	1	R515	ANAM
3245	9A01379100	R,CARBON 1/5W 56K	2	R539, 540	ANAM
3255	9A01379100	R,CARBON 1/5W 56K	2	R547, 548	ANAM
3265	9A01379100	R,CARBON 1/5W 56K	2	R559, 560	ANAM
3275	9A01379100	R,CARBON 1/5W 56K	2	R911, 912	ANAM
3285	9A01379400	R,CARBON 1/5W 6.8K	1	R213	ANAM
3295	9A01379400	R,CARBON 1/5W 6.8K	2	R545, 546	ANAM
3305	9A01379600	R,CARBON 1/5W 820	2	R932, 933	ANAM
3315	9A01379900	R,CARBON 1/4W 100	2	R549, 550	ANAM
3325	9A01379900	R,CARBON 1/4W 100	1	R930	ANAM
3335	9A01380000	R,CARBON 1/4W 1K	2	R934, 935	ANAM
3345	9A01380400	R,CARBON 1/5W 1K	2	R101, 102	ANAM
3355	9A01380400	R,CARBON 1/5W 1K	2	R200, 201	ANAM
3365	9A01380400	R,CARBON 1/5W 1K	10	R517- 526	ANAM
3375	9A01380400	R,CARBON 1/5W 1K	2	R571, 572	ANAM
3385	9A01380400	R,CARBON 1/5W 1K	3	R906- 908	ANAM
3395	9A01380400	R,CARBON 1/5W 1K	1	R919	ANAM
3405	9A01380500	R,CARBON 1/5W 2.2K	1	R565	ANAM
3415	9A01380600	R,CARBON 1/5W 10K	1	R203	ANAM
3425	9A01380600	R,CARBON 1/5W 10K	2	R210, 212	ANAM
3435	9A01380600	R,CARBON 1/5W 10K	2	R909, 910	ANAM
3445	9A01380600	R,CARBON 1/5W 10K	1	R913	ANAM
3455	9A01380600	R,CARBON 1/5W 10K	1	R923	ANAM
3465	9A01380600	R,CARBON 1/5W 10K	1	R927	ANAM
3475	9A01380600	R,CARBON 1/5W 10K	1	R931	ANAM
3485	9A01380700	R,CARBON 1/5W 100K	2	R127, 128	ANAM
3495	9A01380700	R,CARBON 1/5W 100K	6	R527- 532	ANAM
3505	9A01380900	R,CARBON 1/5W 12K	2	R511, 512	ANAM
3515	9A01381000	R,CARBON 1/5W 150	5	R936- 940	ANAM
3525	9A01381000	R,CARBON 1/5W 150	2	R942, 943	ANAM
3535	9A01381100	R,CARBON 1/5W 15K	2	R129, 130	ANAM
3545	9A01381400	R,CARBON 1/5W 180K	2	R509, 510	ANAM
3555	9A01381500	R,CARBON 1/5W 22K	3	R204- 206	ANAM
3565	9A01381500	R,CARBON 1/5W 22K	2	R561, 562	ANAM
3575	9A01381700	R,CARBON 1/5W 220K	4	R533- 536	ANAM
3585	9A01381900	R,CARBON 1/5W 33K	2	R555, 556	ANAM
3595	9A01382100	R,CARBON 1/5W 390	2	R503, 504	ANAM
3605	9A01385900	CAP,CERAMIC 100PF/50V	2	C101, 102	ANAM
3615	9A01385900	CAP,CERAMIC 100PF/50V	2	C505, 506	ANAM
3625	9A01386100	CAP,CERAMIC 0.01UF/50V	2	C911, 912	ANAM
3635	9A01386200	CAP,CERAMIC 150PF/50V	2	C503, 504	ANAM
3645	9A01386400	CAP,CERAMIC 0.022UF	6	C913- 918	ANAM
3655	9A01390500	DIODE,1N4148MT	3	D101- 103	ANAM
3665	9A01390500	DIODE,1N4148MT	2	D201, 202	ANAM
3675	9A01390500	DIODE,1N4148MT	2	D203, 207	ANAM
3685	9A01390500	DIODE,1N4148MT	1	D910	ANAM
3695	9A01390600	DIODE,1N4148T	2	D911, 912	ANAM
3705	9A01398700	R,CARBON 1/5W 3.3K	2	R115, 116	ANAM
3715	9A01398700	R,CARBON 1/5W 3.3K	2	R553, 554	ANAM
3725	9A01398800	R,CARBON 1/5W 470	2	R501, 502	ANAM
3735	9A01398900	R,CARBON 1/5W 5.6K	1	R209	ANAM
3745	9A01399500	R,CARBON 1/4W 150	1	R941	ANAM
3755	9A01410500	R,CARBON 1/5W 220	2	R507, 508	ANAM
3765	9A01414800	CAP,MYLAR 0.001UF/50V	2	C509, 510	ANAM
3775	9A01415100	CAP,MYLAR 0.0056UF/50V	2	C513, 514	ANAM
3785	9A01415500	CAP,MYLAR 0.0022UF/50V	2	C511, 512	ANAM

3795	9A01415800	CAP,MYLAR I1H473JZ3	2	C117, 118	ANAM
3805	9A01415800	CAP,MYLAR I1H473JZ3	2	C201, 202	ANAM
3815	9A01415800	CAP,MYLAR I1H473JZ3	1	C205	ANAM
3825	9A01504600	R,CARBON 1/4W 3.3K	2	R551, 552	ANAM
3835	9A01504600	R,CARBON 1/4W 3.3K	2	R557, 558	ANAM
3845	9A01504700	R,CARBON 1/4W 560	1	R514	ANAM
3855	9A03745000	TR,KSC2785-YTA	1	Q906	ANAM
3865	9A03745100	TR,KSA1175-YTA	1	Q903	ANAM
3875	9A03745100	TR,KSA1175-YTA	1	Q907	ANAM
3885	9A03745200	TR,KSR2206TA	3	Q507- 509	ANAM
3895	9A05194500	DIODE,ZENER UZ5.6BMT	1	D908	ANAM
3905	9A05194700	DIODE,1N4003ST	4	D903- 906	ANAM
3915	9A05196700	TR,KSA916-Y-SHTA	1	Q905	ANAM
3925	9A05196800	TR,KSC2316-Y-SHTA	1	Q902	ANAM
3935	9A05196900	TR,KSR1206TA	1	Q207	ANAM
3945	9A05196900	TR,KSR1206TA	1	Q904	ANAM
3955	9A05197400	TR,KTC3203YT	2	Q908, 909	ANAM
3965	9A05318400	CC, 10000PF Z F 25V	6	C934- 939	ANAM
3975	9A05318400	CC, 10000PF Z F 25V	2	C952, 953	ANAM
3985	9A05318500	CC, 22000PF Z F 25V	2	C919, 920	ANAM
3995	9A05318500	CC, 22000PF Z F 25V	1	C930	ANAM
4005	9A05318500	CC, 22000PF Z F 25V	2	C946, 947	ANAM
4015	9A05318700	CAP,CERAMIC 100PF/50V K	10	C517- 526	ANAM
4025	9A05336700	R,CARBON 1/4W 2.2K	1	R566	ANAM
4035	9A05336700	R,CARBON 1/4W 2.2K	1	R915	ANAM
4045	9A05336800	R,CARBON 1/4W 22K	2	R227, 228	ANAM
4055	9A05353700	CAP,CERAMIC R1H220JC	2	C531, 532	ANAM
4065	9A05889000	CAP,ELECT 22UF/50V	2	C537, 538	ANAM
4075	9A05889600	CAP,ELECT 4.7UF/50V	2	C103, 104	ANAM
4085	9A05889600	CAP,ELECT 4.7UF/50V	2	C515, 516	ANAM
4095	9A05889600	CAP,ELECT 4.7UF/50V	2	C529, 530	ANAM
4105	9A05889600	CAP,ELECT 4.7UF/50V	4	C533- 536	ANAM
4115	9A05889700	CAP,ELECT 100UF/25V	3	C927- 929	ANAM
4125	9A05889700	CAP,ELECT 100UF/25V	6	C940- 945	ANAM
4135	9A05889700	CAP,ELECT 100UF/25V	4	C948- 951	ANAM
4145	9A05890000	CAP,ELECT 100UF/6.3V	4	C921- 924	ANAM
4155	9A05892500	CAP,ELECT 47UF/25V	2	C507, 508	ANAM
4165	9A05892800	TR,KTC3198YT	2	Q201, 202	ANAM
4175	9A05892800	TR,KTC3198YT	2	Q204, 205	ANAM
4185	9A05893200	MAIN PCB	1		ANAM
4195	9A05894400	CAP,CERAMIC 18PF	2	C501, 502	ANAM
4205	9A05894800	DIODE,ZENER UZ5.1BMT	1	D909	ANAM
4215	9A05895900	TR,KTA1266YT	1	Q203	ANAM
4225	9A05895900	TR,KTA1266YT	1	Q206	ANAM
4235	9A05895900	TR,KTA1266YT	2	Q910, 911	ANAM
4245	9A05896000	TR,KTC2878B	6	Q501- 506	ANAM
4255	9A05896200	R.,100-OHM,1/4W	2	R117, 118	ANAM
4265	9A05897100	R,CARBON 1/4W 3.9K	1	R914	ANAM
4275	9A05901600	CAP,ELECT 47UF/50V	2	C109, 110	ANAM
4285	9A05922300	CAP,ELECT 100UF	4	C111- 114	ANAM
4295	9A05938000	CAP,MYLAR 0.0033UF	2	C115, 116	ANAM
4305	9A05969900	CAP,ELECT 10UF/50V	2	C540, 541	ANAM
4315	9A05969900	CAP,ELECT 10UF/50V	2	C907, 908	ANAM
4325	9A05970200	CAP,ELECT 220UF/35V	2	C203, 204	ANAM
4335	9A06028000	R,CARBON 1/5W 3K	2	R113, 114	ANAM
4345	9A06065600	CAP,ELECT A1HH220B	1	C925	ANAM
4355	9A06169300	R,CARBON 1/4W 56K	1	R516	ANAM
4365	9A06170400	CAP,CERAMIC	2	C107, 108	ANAM
437	...4	9A06170300	WIRE ASS'Y AA1030JP04	1	JW95	ANAM
438	1	9A05326600	CLAMPER,ARM	1		ANAM
439	1	9A05335600	LABEL,SERIAL NO	2		ANAM
440	1	9A05335800	CARD , WARRANTY	1		ANAM

OEM NO.
KARTAR300
BVIANAM1151R
KUR038XA
KPB1A008Z
KPG1A322Z
KUR038X
KTS26+10GFZ
KGT1A058
KGX3A200X
KHG3A099X
KHZ1T203
KKK1A012K27
KKM1A039K27
KKU1A060K27
KOP10923B
KRD20TJ101T
KRD20TJ561T
KCKF1H101KB
KVDSL2C22VR
BSB455EB1
KRD20TJ1R0T
KCKD1H103ZF
KUW1A029
KUW1A030
KVDAFHP51
KVTKTC3203Y
KCEA1EH470B
BVIANAM1151R
KHG1A124
KUP10923Z
K2K31121
KPB1A013Z
KPS1A304
KPG1A328Z
KQB1A194Z
KPL1T201
K4FC500CL
K4F5240CL
KQXAR300
KQX1A319Z
KPB1061Y
KQE1A070Z
KZPM0509
A-R300SETEX
KTB3+8JFZ
KTB3+6J
KHR301
KTW3+8J
KKL1A042H11
KHG2A050X
KKC2B019Z
KKC2A019
KHG1A113
KTB4+6FFZ
KGWA-R300Z
KTB3+10G
KTWS3+10G
KBN1A051

KGL1A108
KBN1A052Z
KGW1A167ZH10
KGL1A109
KBT1A354
KBC1A045
KBT1A353
KGR1A093
KTB3+8F
KGB1A031H12
KHG1A087
KOP10869B
KJT777
KVDSR39MVW3
KVIMC4558S
KVIMC4558S
BJJ2E017Z
BVIRE5VA30CC
KHG1A085
KJP03GA01ZM
KJP04GA01ZM
KJP06GA01ZM
KMH1A044
KWZAA108004
KWZAR30005
KWZAR30006
KWZAR30025
KJP11GA01ZM
KVV2X01C104Z
KVV1U02W104Z
KVV1U01B503Z
KOX08000D160F
KJP09GA01ZM
KVVAB02A104Z
KWZAA108013
KWZAR30015
KWZAR30016
BJJ7A003Z
KJJ5Q004Y
KMC1A122
BJJ2E019Z
KSH2D07Z
KJP03GB03ZM
KWZACD6000JW53
KSL1A007ZE
BVIRPM638CBRL
K2K50301
K2K31121
K4F8120
K8E531
KWZAA108007
KWZAR30020
KJP02GA69ZP
KIP10869B
KRD20TJ392T
KRD20TJ472T
KRD20TJ472T
KRD20TJ473T
KRD20TJ473T
KRD20TJ473T
KRD20TJ473T
KRD20TJ473T
KRD20TJ473T
KRD20TJ474T
KRD20TJ563T

KRD20TJ821T
KRD25TJ101T
KRD25TJ101T
KRD25TJ102T
KRD20TJ102T
KRD20TJ102T
KRD20TJ102T
KRD20TJ102T
KRD20TJ102T
KRD20TJ102T
KRD20TJ103T
KRD20TJ103T
KRD20TJ103T
KRD20TJ103T
KRD20TJ103T
KRD20TJ103T
KRD20TJ103T
KRD20TJ103T
KRD20TJ151T
KRD20TJ182T
KRD20TJ223T
KRD20TJ223T
KRD20TJ223T
KRD20TJ223T
KRD20TJ223T
KRD20TJ223T
KRD20TJ223T
KRD20TJ224T
KRD20TJ331T
KRD20TJ331T
KCKR1H102KB
KCKR1H103ZF
KCKR1H103ZF
KCKR1H331KB
KVD1N4148MT
KVD1N4148T
KRD20TJ471T
KRD20TJ221T
KCQ1H472JZ3
KCQ1H103JZ3
KCQ1H103JZ3
KCQ1H223JZ3
KCQ1H223JZ3
KVTKSC2785YT
KST1A012ZT
KVTKSR1206T
KVTKSR1206T
KVTKSR1206T
KVTKSR1206T
KVTKTA1271YT
KVTKTC3203YT
KVTKTC3203YT
KVTKSR2204T
KVTKSR2204T
KVTKSR2204T
KCBS1E223ZFT
KCBS1E223ZFT
KCBS1H102KBT
KCBS1H102KBT
KCBS1H104ZFT
KCBS1H180JCT
KCBS1H181KBT
KCBS1H473ZFT
KCBS1H473ZFT
KCQ1H123JZ3
KCQ1H393JZ3
KCQ1H683JZ3

KJCF5S
KRD25TJ223T
KUP10872Z
KCEA1HH2R2B
KCCR1H560JC
KCEA1VH100B
KCEA1VH100B
KCEA1VH100B
KCEA1VH100B
KCEA1HH4R7B
KCEA1VH101B
KCEA1HH1R0B
KCEA1HH1R0B
KCEA1CH101B
KCEA1HHR22B
KVD342YCF02T085
KVD342YCF02T085
KCEA1EH470B
KVTKTC3198YT
BVIANAM1128A
KCBS1C222MXT
KRD25TJ180T
KUAA-R300ZEX
KHE170
KHR129
KTB3+8JFZ
KTB3+10GFZ
KTB4+8F
KTB3+6J
KBA2C2500NRE
KHG1A024
KTW3+12J
KTW3+8J
KUF1A017
KUA1A128
KUA1A127
KUH1A006
KKF1A120ZK1
KJA2A010Z
KLT5T049ZW
KHG1A080
KLZ9V002Z
KMA2A001
KHE36-3
KHR1A025
KJT1A020
KNW1A014
KOP10949B
KJP03GB03ZM
KWZACD6000JW53
KIP10949B
KCQ11H223JZ3
KCQ11H473JZ3
KCQ11H104JZ3
KUP10949Z
KRE1A036
KWC90040030A
K4B90406
KWC90070015A
K4B90706
KOP10868B
KVTKSD288Y
KCEA1EU222E
KSL1A05AU-H

KTB3+8J
KLEYK1R8KA
KJJ4R001Z-K
BVISTK4192(2)
KVIGD4051B
KVIMC4558S
KVIMC7812VA
KTB3+8J
KVIMC7812C
KMY1A043
K8AYG6260
KJP02GA01ZM
KJP02GA01ZM
KJP04GA01ZM
KJP06GA01ZM
KNE75
KRG1ANJ100H
KTW3+8J
KJP11GA01ZM
KMY1A099
KMD1A301
KWZAA108001
KWZAR30009
KWZAA108019
KCKW2H103PE
KCKW2H103PE
KJP05GA01ZM
KRF5EKR22H
KRG1ANJ4R7H
KRG2ANJ391H
KRD50FJ123T
KRD50FJ123T
KRG2ANJ220H
KRQ1CJR47
KRD50FJ332T
KRD50FJ332T
KJJ4N010Z
BVDPBPC803F
KCETS63V682
BVDW02GF
KSL1A007ZE
KTB3+20J
K2K50301
K2K31121
K8E531
KWZAA108022
KCEA1ER102E
KVIMC7815VA
KTB3+8J
KMY1A043
KVIMC7815C
K8AYG6260
KVIMC7915VA
KTB3+8J
KMY1A043
KVIMC7915C
K8AYG6260
KWED212350VV
KWED212350VV
KWED202350VV
KIP10868B
KRD20TJ472T
KRD20TJ473T
KRD20TJ473T

KRD20TJ473T
KRD20TJ473T
KRD20TJ473T
KRD20TJ561T
KRD20TJ563T
KRD20TJ563T
KRD20TJ563T
KRD20TJ563T
KRD20TJ563T
KRD20TJ563T
KRD20TJ563T
KRD20TJ563T
KRD20TJ563T
KRD20TJ682T
KRD20TJ682T
KRD20TJ821T
KRD25TJ101T
KRD25TJ101T
KRD25TJ102T
KRD20TJ102T
KRD20TJ102T
KRD20TJ102T
KRD20TJ102T
KRD20TJ102T
KRD20TJ102T
KRD20TJ102T
KRD20TJ222T
KRD20TJ103T
KRD20TJ103T
KRD20TJ103T
KRD20TJ103T
KRD20TJ103T
KRD20TJ103T
KRD20TJ103T
KRD20TJ103T
KRD20TJ104T
KRD20TJ104T
KRD20TJ123T
KRD20TJ151T
KRD20TJ151T
KRD20TJ153T
KRD20TJ184T
KRD20TJ223T
KRD20TJ223T
KRD20TJ224T
KRD20TJ333T
KRD20TJ391T
KCKR1H101KB
KCKR1H101KB
KCKR1H103ZF
KCKR1H151KB
KCKR1H223ZF
KVD1N4148MT
KVD1N4148MT
KVD1N4148MT
KVD1N4148MT
KVD1N4148T
KRD20TJ332T
KRD20TJ332T
KRD20TJ471T
KRD20TJ562T
KRD25TJ151T
KRD20TJ221T
KCQ11H102JZ3
KCQ11H562JZ3
KCQ11H223JZ3

KCQI1H473JZ3
KCQI1H473JZ3
KCQI1H473JZ3
KRD25TJ332T
KRD25TJ332T
KRD25TJ561T
KVTKSC2785YT
KVTKSA1175YT
KVTKSA1175YT
KVTKSR2206T
KVDUZ5.6BMT
KVD1N4003ST
KVTKSA916YT
KVTKSC2316YT
KVTKSR1206T
KVTKSR1206T
KVTKTC3203YT
KCBS1E103ZFT
KCBS1E103ZFT
KCBS1E223ZFT
KCBS1E223ZFT
KCBS1E223ZFT
KCBS1E223ZFT
KCBS1H101KBT
KRD25TJ222T
KRD25TJ222T
KRD25TJ223T
KCCR1H220JC
KCEA1HH2R2B
KCEA1HH4R7B
KCEA1HH4R7B
KCEA1HH4R7B
KCEA1HH4R7B
KCEA1HH4R7B
KCEA1VH101B
KCEA1VH101B
KCEA1VH101B
KCEA1CH101B
KCEA1EH470B
KVTKTC3198YT
KVTKTC3198YT
KUP10871Z
KCCR1H180JC
KVDUZ5.1BMT
KVTKTA1266YT
KVTKTA1266YT
KVTKTA1266YT
KVTKTC2878BT
KRD25FJ101T
KRD25TJ392T
KCEA1HH470B
KCEA1HH101B
KCQI1H332JZ3
KCEA1HH100B
KCEA1HH100B
KCEA1VH221B
KRD20TJ302T
KCEA1HH220B
KRD25TJ563T
KCCR1H060CC
KWZAA1030JP04
KHE154
KQT1A046
KQX1A111Y

AMPLIFIER A-R500 EX

	LEVEL	PARTS NO.	DESCRIPTION	Q'TY	REF.NO.	M•R
1	1	9A05808200	REMOCON TRANSMITTER ASS'Y	1		ANAM
2	•2	9A05918500	IC,UPD6126AG	1	IC81	ANAM
3	•2	9A05988900	REMOCON TRANSMITTER ASS'Y	1		ANAM
4	••3	9A05990800	BAG,POLY 1A008Z	1		ANAM
5	••3	9A05990900	BOX,PACKING	1		ANAM
6	••3	9A05991000	REMOCON	1		ANAM
7	•••4	9A01533600	SCREW AG-55	1		ANAM
8	•••4	9A06018200	NAME,PLATE	1		ANAM
9	•••4	9A06018300	ORNAMENT,SHEET	1		ANAM
10	•••4	9A06018400	RUBBER,FUNCTION	1		ANAM
11	•••4	9A06018500	SPRING,COIL	1		ANAM
12	•••4	9A06018600	COVER,BATTERY	1		ANAM
13	•••4	9A06018700	CASE, TOP RECEIVER	1		ANAM
14	•••4	9A06018800	CASE,BOTTOM	1		ANAM
15	•••4	9A06018900	REMOCON PCB ASS'Y	1		ANAM
16	••••5	9A01378300	R,CARBON 1/5W 100	1	R802	ANAM
17	••••5	9A01379000	R,CARBON 1/5W 560	1	R801	ANAM
18	••••5	9A01385800	CAP,CERAMIC 100PF/50V	2	C802, 803	ANAM
19	••••5	9A01391900	LED (RED) SLC22VR	1	D802	ANAM
20	••••5	9A01394800	RESONATOR,CERAMIC CSB455E	1	X801	ANAM
21	••••5	9A01409800	R,CARBON 20TJ1R0T	1	R803	ANAM
22	••••5	9A05323300	CAP,CERAMIC D1H103ZF	1	C804	ANAM
23	••••5	9A05341200	SPRING (A) , BATTERY	1		ANAM
24	••••5	9A05341300	SPRING (B) , BATTERY	1		ANAM
25	••••5	9A05341400	LED , IR AF-HP51	1	D801	ANAM
26	••••5	9A05341800	TR, KTC3203Y	1	Q801	ANAM
27	••••5	9A05892500	CAP,ELECT 47UF/25V	1	C801	ANAM
28	••••5	9A05918500	IC,UPD6126AG	1	IC81	ANAM
29	••••5	9A06031400	SUPPORT,LED	1		ANAM
30	••••5	9A06031500	PCB,REMOCON	1		ANAM
31	••••5	9A06059900	SOLDER WIRE SN:PB=60:40	5		ANAM
32	1	9A05917600	BAG, POLY	1		ANAM
33	1	9A05918000	PAD, SNOW	2		ANAM
34	1	9A05936800	STAPLE (L=65MM)	8		ANAM
35	1	9A05983800	TAPE,OPP CLEAR 50M/M	1		ANAM
36	1	9A05983900	TAPE,CELLO OPP	1		ANAM
37	1	9A06164610	SET,AMPLIFIER EX	1		ANAM
38	•2	9A01377200	SCREW KTB3+8JFZ	8		ANAM
39	•2	9A01532600	SCREW KTB3+6J	12		ANAM
40	•2	9A05327300	CLAMPER KHR301	7		ANAM
41	•2	9A05339200	SCREW KTW3+8J	4		ANAM
42	•2	9A05891400	FOOT,FRONT	4		ANAM
43	•2	9A05891500	FOOT,CUSHION	4		ANAM
44	•2	9A05892300	CABINET, TOP	1		ANAM
45	••3	9A05985200	CABINET , TOP	1		ANAM
46	•2	9A05921700	RUBBER	3		ANAM
47	•2	9A05984300	SCREW KTB4+6FFZ	4		ANAM
48	•2	9A06165000	FRONT PANEL ASS'Y	1		ANAM
49	••3	9A01377400	SCREW,KTB3+10G	17		ANAM
50	••3	9A01377600	SCREW,KTWS3+10G	3		ANAM
51	••3	9A05886600	KNOB,VOLUME A3-95-2035	1		ANAM
52	••3	9A05886700	INDICATOR,VOLUME	1		ANAM
53	••3	9A05886800	KNOB,ROTARY A4-95-2188	4		ANAM
54	••3	9A05887000	INDICATOR,FUNCTION	8		ANAM
55	••3	9A05887200	KNOB,POWER A4-94-2186	1		ANAM
56	••3	9A05887300	KNOB,SPEAKER A4-88-0984	2		ANAM
57	••3	9A05887400	KNOB,TACT A3-95-2034	1		ANAM
58	••3	9A05887500	ORNAMENT,REMOTE	1		ANAM
59	••3	9A05892400	SCREW,KTB3+8F	2		ANAM

60	••3	9A05898400	BADGE TEAC (GOLD)	1		ANAM
61	••3	9A05984900	GUIDE,FLT	3		ANAM
62	••3	9A06165200	PANEL,FRONT	1		ANAM
63	••3	9A06165300	SUB PCB ASS'Y	1		ANAM
64	•••4	9A01409200	TERMINAL,LUG	2		ANAM
65	•••4	9A05194300	LED,SPR-39MVW3	1	D309	ANAM
66	•••4	9A05195800	IC,MC4558S	1	IC32	ANAM
67	•••4	9A05195800	IC,MC4558S	1	IC41	ANAM
68	•••4	9A05316900	JACK HTJ064-05BG	1	JK04	ANAM
69	•••4	9A05317300	IC,(RESET) RE5VA30CC	1	IC35	ANAM
70	•••4	9A05326900	SUPPORT , LED	1		ANAM
71	•••4	9A05329100	WAFER MOLEX 5267-03A	1	CN09	ANAM
72	•••4	9A05329300	WAFER MOLEX 5267-04A	1	CN01	ANAM
73	•••4	9A05329600	WAFER MOLEX 5267-06A	1	CN16	ANAM
74	•••4	9A05887600	HOLDER,LED	1		ANAM
75	•••4	9A05888400	WIRE ASS'Y	1	BN04	ANAM
76	•••4	9A05888500	WIRE ASS'Y	1	BN05	ANAM
77	•••4	9A05888600	WIRE ASS'Y	1	BN06	ANAM
78	•••4	9A05888800	WIRE ASS'Y	1	BN25	ANAM
79	•••4	9A05890200	WAFER MOLEX 5267-11A	1	CN25	ANAM
80	•••4	9A05890600	RES,VARIABLE 2X01C104Z	2	VR31, 32	ANAM
81	•••4	9A05890700	RES,VARIABLE 1U02W104Z	1	VR33	ANAM
82	•••4	9A05890800	RES,VARIABLE 1U01B503Z	1	VR41	ANAM
83	•••4	9A05890900	CRYSTAL	1	X301	ANAM
84	•••4	9A05892600	WAFER(9P)	1	CN04	ANAM
85	•••4	9A05893100	RES,VARIABLE AB02A104Z	1	VR71	ANAM
86	•••4	9A05893500	WIRE ASS'Y	1	BN13	ANAM
87	•••4	9A05893600	WIRE ASS'Y	1	BN15	ANAM
88	•••4	9A05893700	WIRE ASS'Y	1	BN16	ANAM
89	•••4	9A05895700	OUTLET,AC	1	JK06	ANAM
90	•••4	9A05897400	TERMINAL,SPEKER	1		ANAM
91	•••4	9A05917400	GROUND,SPEAKER	1		ANAM
92	•••4	9A05918200	JACK, PHONE	1	JK05	ANAM
93	•••4	9A05922100	SW PUSH(4C2P)SPUL19X1M081	2	SW39, 40	ANAM
94	•••4	9A05967900	WAFER MOLEX 5268-03A	1	CN14	ANAM
95	•••4	9A05986600	WIRE ASS'Y	1	JK96	ANAM
96	•••4	9A05987100	RELAY HR-CR7-DC12V	1	RLY4	ANAM
97	•••4	9A06011300	SENSOR,REMOCON	1	IC33	ANAM
98	•••4	9A06059700	SOLDER,BAR S63S-W3.0	28		ANAM
99	•••4	9A06059900	SOLDER WIRE SN:PB=60:40	6		ANAM
100	•••4	9A06061600	TAPE,PAPER	1		ANAM
101	•••4	9A06166000	SUB PCB AUTO ASS'Y	1		ANAM
102	••••5	9A01378400	R,CARBON 1/5W 3.9K	2	R313, 314	ANAM
103	••••5	9A01378600	R,CARBON 1/5W 4.7K	1	R705	ANAM
104	••••5	9A01378600	R,CARBON 1/5W 4.7K	1	R707	ANAM
105	••••5	9A01378700	R,CARBON 1/5W 47K	1	R402	ANAM
106	••••5	9A01378700	R,CARBON 1/5W 47K	1	R414	ANAM
107	••••5	9A01378700	R,CARBON 1/5W 47K	2	R418, 419	ANAM
108	••~•5	9A01378700	R,CARBON 1/5W 47K	1	R702	ANAM
109	••~•5	9A01378700	R,CARBON 1/5W 47K	1	R952	ANAM
110	••~•5	9A01378800	R,CARBON 1/5W 470K	4	R301- 304	ANAM
111	••~•5	9A01379100	R,CARBON 1/5W 56K	2	R305, 306	ANAM
112	••~•5	9A01379600	R,CARBON 1/5W 820	2	R309, 310	ANAM
113	••~•5	9A01379900	R,CARBON 1/4W 100	2	R368, 369	ANAM
114	••~•5	9A01379900	R,CARBON 1/4W 100	2	R426, 427	ANAM
115	••~•5	9A01380000	R,CARBON 1/4W 1K	1	R709	ANAM
116	••~•5	9A01380400	R,CARBON 1/5W 1K	2	R360, 363	ANAM
117	••~•5	9A01380400	R,CARBON 1/5W 1K	1	R401	ANAM
118	••~•5	9A01380400	R,CARBON 1/5W 1K	1	R413	ANAM
119	••~•5	9A01380400	R,CARBON 1/5W 1K	1	R417	ANAM
120	••~•5	9A01380400	R,CARBON 1/5W 1K	1	R423	ANAM
121	••~•5	9A01380400	R,CARBON 1/5W 1K	1	R708	ANAM
122	••~•5	9A01380600	R,CARBON 1/5W 10K	1	R315	ANAM
123	••~•5	9A01380600	R,CARBON 1/5W 10K	1	R351	ANAM

1245	9A01380600	R,CARBON 1/5W 10K	1	R415	ANAM
1255	9A01380600	R,CARBON 1/5W 10K	1	R701	ANAM
1265	9A01380600	R,CARBON 1/5W 10K	1	R704	ANAM
1275	9A01380600	R,CARBON 1/5W 10K	1	R706	ANAM
1285	9A01380600	R,CARBON 1/5W 10K	1	R951	ANAM
1295	9A01381000	R,CARBON 1/5W 150	1	R377	ANAM
1305	9A01381300	R,CARBON 1/5W 1.8K	2	R307, 308	ANAM
1315	9A01381500	R,CARBON 1/5W 22K	2	R311, 312	ANAM
1325	9A01381500	R,CARBON 1/5W 22K	7	R352- 358	ANAM
1335	9A01381500	R,CARBON 1/5W 22K	1	R412	ANAM
1345	9A01381500	R,CARBON 1/5W 22K	1	R424	ANAM
1355	9A01381500	R,CARBON 1/5W 22K	1	R455	ANAM
1365	9A01381700	R,CARBON 1/5W 220K	1	R429	ANAM
1375	9A01381800	R,CARBON 1/5W 330	2	R366, 367	ANAM
1385	9A01381800	R,CARBON 1/5W 330	1	R454	ANAM
1395	9A01386100	CAP,CERAMIC 0.01UF/50V	1	C001	ANAM
1405	9A01386100	CAP,CERAMIC 0.01UF/50V	1	C357	ANAM
1415	9A01386600	CAP,CERAMIC 330PF/50V	2	C305, 306	ANAM
1425	9A01390500	DIODE,1N4148MT	1	D401	ANAM
1435	9A01390600	DIODE,1N4148T	1	D915	ANAM
1445	9A01398800	R,CARBON 1/5W 470	2	R379, 380	ANAM
1455	9A01410500	R,CARBON 1/5W 220	1	R350	ANAM
1465	9A01415000	CAP,MYLAR 0.0047UF/50V	2	C313, 314	ANAM
1475	9A01415400	CAP,MYLAR 0.01UF/50V J	1	C701	ANAM
1485	9A01415400	CAP,MYLAR 0.01UF/50V J	4	C704- 707	ANAM
1495	9A01415500	CAP,MYLAR 0.0022UF/50V	2	C315, 316	ANAM
1505	9A01415500	CAP,MYLAR 0.0022UF/50V	4	C708- 711	ANAM
1515	9A03745000	TR,KSC2785-YTA	2	Q401, 402	ANAM
1525	9A03745200	TR,KSR2206TA	1	Q311	ANAM
1535	9A04882500	SW,TACT SKHV10910A	8	SW31- 38	ANAM
1545	9A05196900	TR,KSR1206TA	6	Q301- 306	ANAM
1555	9A05196900	TR,KSR1206TA	3	Q308- 310	ANAM
1565	9A05196900	TR,KSR1206TA	2	Q316, 317	ANAM
1575	9A05196900	TR,KSR1206TA	2	Q321, 322	ANAM
1585	9A05197200	TR,KTA1271YT	2	Q702, 703	ANAM
1595	9A05197400	TR,KTC3203YT	2	Q704, 705	ANAM
1605	9A05197400	TR,KTC3203YT	1	Q914	ANAM
1615	9A05198800	TR,KSR2204TA	1	Q307	ANAM
1625	9A05198800	TR,KSR2204TA	3	Q312- 314	ANAM
1635	9A05198800	TR,KSR2204TA	1	Q320	ANAM
1645	9A05318500	CC, 22000PF Z F 25V	2	C017, 019	ANAM
1655	9A05318500	CC, 22000PF Z F 25V	2	C352, 353	ANAM
1665	9A05318800	CAP,CERAMIC 1000PF/50V K	1	C401	ANAM
1675	9A05318800	CAP,CERAMIC 1000PF/50V K	1	C430	ANAM
1685	9A05318900	CAP,CERAMIC 0.1UF/50V Z	1	C361	ANAM
1695	9A05319300	CAP,CERAMIC 180PF/50V K	1	C403	ANAM
1705	9A05319800	CAP,CERAMIC 33PF/50V J	2	C354, 355	ANAM
1715	9A05320400	CAP,CERAMIC 0.047UF/50V Z	2	C371, 372	ANAM
1725	9A05320400	CAP,CERAMIC 0.047UF/50V Z	1	C432	ANAM
1735	9A05323900	CAP,MYLAR I1H123JZ3	2	C317, 318	ANAM
1745	9A05324500	CAP,MYLAR I1H393JZ3	1	C402	ANAM
1755	9A05324600	CAP,MYLAR I1H683JZ	2	C319, 320	ANAM
1765	9A05328200	HOLDER,FUSE KJCF5S	2		ANAM
1775	9A05336800	R,CARBON 1/4W 22K	1	R359	ANAM
1785	9A05888100	SUB PCB	1		ANAM
1795	9A05889000	CAP,ELECT 22UF/50V	2	C301, 302	ANAM
1805	9A05889300	CAP,CERAMIC R1H560JC	2	C307, 308	ANAM
1815	9A05889500	CAP,ELECT 10UF/25V	2	C309, 310	ANAM
1825	9A05889500	CAP,ELECT 10UF/25V	1	C404	ANAM
1835	9A05889500	CAP,ELECT 10UF/25V	2	C406, 407	ANAM
1845	9A05889500	CAP,ELECT 10UF/25V	1	C409	ANAM
1855	9A05889600	CAP,ELECT 4.7UF/50V	2	C311, 312	ANAM
1865	9A05889700	CAP,ELECT 100UF/25V	2	C350, 351	ANAM
1875	9A05889800	CAP,ELECT 1UF/50V	1	C356	ANAM

1885	9A05889800	CAP,ELECT 1UF/50V	1	C358	ANAM
1895	9A05890000	CAP,ELECT 100UF/6.3V	1	C360	ANAM
1905	9A05890100	CAP,ELECT 0.22UF/50V	1	C405	ANAM
1915	9A05890300	LED,YELLOW SLR342YCF02	6	D301- 306	ANAM
1925	9A05890300	LED,YELLOW SLR342YCF02	1	D450	ANAM
1935	9A05892500	CAP,ELECT 47UF/25V	2	C702, 703	ANAM
1945	9A05892800	TR,KTC3198YT	1	Q701	ANAM
1955	9A05918300	IC, BVIANAM1128A	1	IC31	ANAM
1965	9A05972300	CAP,CERAMIC 0.0022UF	1	C408	ANAM
1975	9A06065800	R,CARBON 1/4W 18	1	R710	ANAM
198	...4	9A06166200	THINNER	12		ANAM
199	...4	9A06166300	WIRE ASS'Y	1	BN14	ANAM
200	...4	9A06166400	WIRE ASS'Y	1	BN20	ANAM
201	...4	9A06166700	WAFER 02GA69ZP	1	WP01	ANAM
202	..2	9A06165110	BOTTOM CHASSIS ASS'Y EX	1		ANAM
203	..3	9A01375500	PCB HOLDER A-60	1		ANAM
204	..3	9A01376900	BUSHING,AC CORD HEYCO(SR-	1		ANAM
205	..3	9A01377200	SCREW KTB3+8JFZ	7		ANAM
206	..3	9A01377300	SCREW,KTB3+10GFZ	12		ANAM
207	..3	9A01477800	SCREW,KTB4*8F	4		ANAM
208	..3	9A01532600	SCREW KTB3+6J	15		ANAM
209	..3	9A05326800	RUBBER DC-D2200DC	1		ANAM
210	..3	9A05339100	SCREW KTW3+12J	1		ANAM
211	..3	9A05339200	SCREW KTW3+8J	2		ANAM
212	..3	9A05891100	CHASSIS,FRONT	1		ANAM
213	..3	9A05891300	CHASSIS,BOTTOM	1		ANAM
214	..3	9A05891900	PLATE,BOTTOM	1		ANAM
215	..3	9A05892000	GUIDE,BOTTOM	1		ANAM
216	..3	9A05894900	FUSE F4A	1	F901	ANAM
217	..3	9A05897500	TRANS,POWER(EX)	1		ANAM
218	..3	9A05897600	CORD, POWER(EX)	1		ANAM
219	..3	9A05916200	CUSION 25X20,22T	1		ANAM
220	..3	9A05917200	GROUND TERMINAL	1		ANAM
221	..3	9A05923600	PANEL,REAR	1		ANAM
222	..3	9A05961100	CLAMPER, WIRE	1		ANAM
223	..3	9A05989900	PLATE,SHORT PIN	2		ANAM
224	..3	9A05990000	PIN,SHORT	2		ANAM
225	..3	9A06165400	WASHER,SPRING	4		ANAM
226	..3	9A06165500	MAIN PCB ASS'Y	1		ANAM
227	...4	9A01388300	TR,KSD288-Y-AB	1	Q901	ANAM
228	...4	9A01402000	CAP,ELECT 2200UF/25V	2	C909, 910	ANAM
229	...4	9A01423700	RELAY	1	RLY3	ANAM
230	...4	9A01535800	SCREW,KTB3+8J	4		ANAM
231	...4	9A04876000	JACK BOARD, DC-D2100	3		ANAM
232	...4	9A04929100	IC,GD4051B	2	IC55, 53	ANAM
233	...4	9A05195800	IC,MC4558S	4	IC51- 54	ANAM
234	...4	9A05196100	IC,ASS'Y MC7812VA	1	IC93	ANAM
2355	9A01535800	SCREW,KTB3+8J	1		ANAM
2365	9A05196000	IC,KA7812-ABTU	1		ANAM
2375	9A05333600	HEAT SINK 1A043	1		ANAM
2385	9A06066300	COMPOUND,SILICONE	2		ANAM
239	...4	9A05328900	WAFER MOLEX 5267-02A	1	CN05	ANAM
240	...4	9A05328900	WAFER MOLEX 5267-02A	1	CN15	ANAM
241	...4	9A05329300	WAFER MOLEX 5267-04A	1	CN05	ANAM
242	...4	9A05329600	WAFER MOLEX 5267-06A	1	CN13	ANAM
243	...4	9A05333900	PLATE,EARTH	1		ANAM
244	...4	9A05338000	RES,METAL 10 OHM 1W J	2	R123, 124	ANAM
245	...4	9A05339200	SCREW KTW3+8J	4		ANAM
246	...4	9A05890200	WAFER MOLEX 5267-11A	1	CN06	ANAM
247	...4	9A05893300	WIRE ASS'Y	1	BN01	ANAM
248	...4	9A05893400	WIRE ASS'Y	1	BN09	ANAM
249	...4	9A05893800	WIRE ASS'Y	1	BN19	ANAM
250	...4	9A05894000	C.,100UF,100V	2	C113, 114	ANAM
251	...4	9A05894500	CAP,CERAMIC 0.01UF,500V	4	C901- 904	ANAM

252	...4	9A05894700	WAFER(5P)	1	CN20	ANAM
253	...4	9A05895000	IC STK4231(2)	1	IC11	ANAM
254	...4	9A05895800	COIL,SPEAKER	2	L101, 102	ANAM
255	...4	9A05896100	R,CARBON 1/2W 4.7K	4	R109- 112	ANAM
256	...4	9A05896300	R.,0.22-OHM,5W	2	R119, 120	ANAM
257	...4	9A05896400	R.,4.7-OHM,1W	2	R121, 122	ANAM
258	...4	9A05896500	R.,390-OHM,2W	2	R151, 152	ANAM
259	...4	9A05896900	R,CARBON 1/2W 12K	4	R901- 904	ANAM
260	...4	9A05897000	R.,22-OHM,2W	1	R905	ANAM
261	...4	9A05897200	RES,FUSE 0.47-OHM,1W	2	R944, 945	ANAM
262	...4	9A05916800	JACK, BOARD	1		ANAM
263	...4	9A05923000	BRACKET, HEAT	1		ANAM
264	...4	9A05923800	BRACKET,HEAT	1		ANAM
265	...4	9A05976400	BRIDGE DIODE ASS'Y	1	D901	ANAM
266	...5	9A05987900	DIODE,BRIDGE,BPC2504WF	1		ANAM
267	...5	9A05988000	HEAT SINK	1		ANAM
268	...5	9A05988100	SCREW	1		ANAM
269	...4	9A05987000	DIODE,BRIDGE W02GF	1	D902	ANAM
270	...4	9A05987100	RELAY HR-CR7-DC12V	2	RLY1, 2	ANAM
271	...4	9A05988100	SCREW	2		ANAM
272	...4	9A06059700	SOLDER,BAR S63S-W3.0	48		ANAM
273	...4	9A06059900	SOLDER WIRE SN:PB=60:40	8		ANAM
274	...4	9A06166200	THINNER	15		ANAM
275	...4	9A06166800	MAIN PCB AUTO ASS'Y	1		ANAM
276	...5	9A01378600	R,CARBON 1/5W 4.7K	2	R567, 568	ANAM
277	...5	9A01378700	R,CARBON 1/5W 47K	2	R207, 208	ANAM
278	...5	9A01378700	R,CARBON 1/5W 47K	2	R541, 542	ANAM
279	...5	9A01378700	R,CARBON 1/5W 47K	3	R920- 922	ANAM
280	...5	9A01378700	R,CARBON 1/5W 47K	1	R926	ANAM
281	...5	9A01378700	R,CARBON 1/5W 47K	2	R928, 929	ANAM
282	...5	9A01379000	R,CARBON 1/5W 560	2	R513, 514	ANAM
283	...5	9A01379100	R,CARBON 1/5W 56K	2	R103, 104	ANAM
284	...5	9A01379100	R,CARBON 1/5W 56K	2	R107, 108	ANAM
285	...5	9A01379100	R,CARBON 1/5W 56K	2	R505, 506	ANAM
286	...5	9A01379100	R,CARBON 1/5W 56K	1	R515	ANAM
287	...5	9A01379100	R,CARBON 1/5W 56K	2	R539, 540	ANAM
288	...5	9A01379100	R,CARBON 1/5W 56K	2	R547, 548	ANAM
289	...5	9A01379100	R,CARBON 1/5W 56K	2	R559, 560	ANAM
290	...5	9A01379100	R,CARBON 1/5W 56K	2	R911, 912	ANAM
291	...5	9A01379400	R,CARBON 1/5W 6.8K	1	R213	ANAM
292	...5	9A01379400	R,CARBON 1/5W 6.8K	2	R545, 546	ANAM
293	...5	9A01379600	R,CARBON 1/5W 820	1	R933	ANAM
294	...5	9A01379900	R,CARBON 1/4W 100	2	R117, 118	ANAM
295	...5	9A01379900	R,CARBON 1/4W 100	2	R549, 550	ANAM
296	...5	9A01379900	R,CARBON 1/4W 100	1	R930	ANAM
297	...5	9A01380000	R,CARBON 1/4W 1K	2	R934, 935	ANAM
298	...5	9A01380400	R,CARBON 1/5W 1K	2	R101, 102	ANAM
299	...5	9A01380400	R,CARBON 1/5W 1K	2	R200, 201	ANAM
300	...5	9A01380400	R,CARBON 1/5W 1K	2	R517, 218	ANAM
301	...5	9A01380400	R,CARBON 1/5W 1K	8	R519- 526	ANAM
302	...5	9A01380400	R,CARBON 1/5W 1K	2	R571, 572	ANAM
303	...5	9A01380400	R,CARBON 1/5W 1K	3	R906- 908	ANAM
304	...5	9A01380400	R,CARBON 1/5W 1K	1	R919	ANAM
305	...5	9A01380500	R,CARBON 1/5W 2.2K	2	R113, 114	ANAM
306	...5	9A01380500	R,CARBON 1/5W 2.2K	1	R565	ANAM
307	...5	9A01380600	R,CARBON 1/5W 10K	1	R203	ANAM
308	...5	9A01380600	R,CARBON 1/5W 10K	2	R210, 212	ANAM
309	...5	9A01380600	R,CARBON 1/5W 10K	2	R909, 910	ANAM
310	...5	9A01380600	R,CARBON 1/5W 10K	1	R913	ANAM
311	...5	9A01380600	R,CARBON 1/5W 10K	1	R923	ANAM
312	...5	9A01380600	R,CARBON 1/5W 10K	1	R927	ANAM
313	...5	9A01380600	R,CARBON 1/5W 10K	1	R931	ANAM
314	...5	9A01380700	R,CARBON 1/5W 100K	2	R127, 128	ANAM
315	...5	9A01380700	R,CARBON 1/5W 100K	6	R527- 532	ANAM

3165	9A01380900	R,CARBON 1/5W 12K	2	R511, 512	ANAM
3175	9A01381000	R,CARBON 1/5W 150	5	R936- 940	ANAM
3185	9A01381000	R,CARBON 1/5W 150	2	R942, 943	ANAM
3195	9A01381100	R,CARBON 1/5W 15K	2	R129, 130	ANAM
3205	9A01381400	R,CARBON 1/5W 180K	2	R509, 510	ANAM
3215	9A01381500	R,CARBON 1/5W 22K	3	R204- 206	ANAM
3225	9A01381500	R,CARBON 1/5W 22K	2	R561, 562	ANAM
3235	9A01381700	R,CARBON 1/5W 220K	4	R533- 536	ANAM
3245	9A01381900	R,CARBON 1/5W 33K	2	R555, 556	ANAM
3255	9A01382100	R,CARBON 1/5W 390	2	R503, 504	ANAM
3265	9A01385900	CAP,CERAMIC 100PF/50V	2	C101, 102	ANAM
3275	9A01385900	CAP,CERAMIC 100PF/50V	2	C505, 506	ANAM
3285	9A01386100	CAP,CERAMIC 0.01UF/50V	2	C911, 912	ANAM
3295	9A01386200	CAP,CERAMIC 150PF/50V	2	C503, 504	ANAM
3305	9A01386400	CAP,CERAMIC 0.022UF	6	C913- 918	ANAM
3315	9A01390500	DIODE,1N4148MT	3	D101- 103	ANAM
3325	9A01390500	DIODE,1N4148MT	2	D201, 202	ANAM
3335	9A01390500	DIODE,1N4148MT	2	D203, 207	ANAM
3345	9A01390500	DIODE,1N4148MT	1	D910	ANAM
3355	9A01390600	DIODE,1N4148T	2	D911, 912	ANAM
3365	9A01398700	R,CARBON 1/5W 3.3K	2	R115, 116	ANAM
3375	9A01398700	R,CARBON 1/5W 3.3K	2	R553, 554	ANAM
3385	9A01398800	R,CARBON 1/5W 470	2	R105, 106	ANAM
3395	9A01398800	R,CARBON 1/5W 470	2	R501, 502	ANAM
3405	9A01398900	R,CARBON 1/5W 5.6K	1	R209	ANAM
3415	9A01399500	R,CARBON 1/4W 150	1	R941	ANAM
3425	9A01400000	CAP,CERAMIC 3PF/50V	2	C107, 108	ANAM
3435	9A01410500	R,CARBON 1/5W 220	2	R507, 508	ANAM
3445	9A01414800	CAP,MYLAR 0.001UF/50V	2	C509, 510	ANAM
3455	9A01415100	CAP,MYLAR 0.0056UF/50V	2	C513, 514	ANAM
3465	9A01415500	CAP,MYLAR 0.0022UF/50V	2	C511, 512	ANAM
3475	9A01415800	CAP,MYLAR I1H473JZ3	4	C115- 118	ANAM
3485	9A01415800	CAP,MYLAR I1H473JZ3	2	C201, 202	ANAM
3495	9A01415800	CAP,MYLAR I1H473JZ3	1	C205	ANAM
3505	9A01504600	R,CARBON 1/4W 3.3K	2	R551, 552	ANAM
3515	9A01504600	R,CARBON 1/4W 3.3K	2	R557, 558	ANAM
3525	9A03745000	TR,KSC2785-YTA	1	Q906	ANAM
3535	9A03745100	TR,KSA1175-YTA	1	Q903	ANAM
3545	9A03745100	TR,KSA1175-YTA	1	Q907	ANAM
3555	9A03745200	TR,KSR2206TA	3	Q507- 509	ANAM
3565	9A05194500	DIODE,ZENER UZ5.6BMT	1	D908	ANAM
3575	9A05194700	DIODE,1N4003ST	4	D903- 906	ANAM
3585	9A05196700	TR,KSA916-Y-SHTA	1	Q905	ANAM
3595	9A05196800	TR,KSC2316-Y-SHTA	1	Q902	ANAM
3605	9A05196900	TR,KSR1206TA	1	Q207	ANAM
3615	9A05196900	TR,KSR1206TA	1	Q904	ANAM
3625	9A05197400	TR,KTC3203YT	2	Q908, 909	ANAM
3635	9A05318400	CC, 10000PF Z F 25V	6	C934- 939	ANAM
3645	9A05318400	CC, 10000PF Z F 25V	2	C952, 953	ANAM
3655	9A05318500	CC, 22000PF Z F 25V	2	C919, 920	ANAM
3665	9A05318500	CC, 22000PF Z F 25V	1	C930	ANAM
3675	9A05318500	CC, 22000PF Z F 25V	2	C946, 947	ANAM
3685	9A05318700	CAP,CERAMIC 100PF/50V K	10	C517- 526	ANAM
3695	9A05336700	R,CARBON 1/4W 2.2K	1	R566	ANAM
3705	9A05336700	R,CARBON 1/4W 2.2K	1	R915	ANAM
3715	9A05336800	R,CARBON 1/4W 22K	2	R227, 228	ANAM
3725	9A05353700	CAP,CERAMIC R1H220JC	2	C531, 532	ANAM
3735	9A05889000	CAP,ELECT 22UF/50V	2	C537, 538	ANAM
3745	9A05889600	CAP,ELECT 4.7UF/50V	2	C103, 104	ANAM
3755	9A05889600	CAP,ELECT 4.7UF/50V	2	C515, 516	ANAM
3765	9A05889600	CAP,ELECT 4.7UF/50V	2	C529, 530	ANAM
3775	9A05889600	CAP,ELECT 4.7UF/50V	4	C533- 536	ANAM
3785	9A05889700	CAP,ELECT 100UF/25V	3	C921- 923	ANAM
3795	9A05889700	CAP,ELECT 100UF/25V	3	C927- 929	ANAM

3805	9A05889700	CAP,ELECT 100UF/25V	6	C940- 945	ANAM
3815	9A05889700	CAP,ELECT 100UF/25V	4	C948- 951	ANAM
3825	9A05889800	CAP,ELECT 1UF/50V	2	C119, 120	ANAM
3835	9A05890000	CAP,ELECT 100UF/6.3V	1	C924	ANAM
3845	9A05892500	CAP,ELECT 47UF/25V	2	C507, 508	ANAM
3855	9A05892800	TR,KTC3198YT	2	Q201, 202	ANAM
3865	9A05892800	TR,KTC3198YT	2	Q204, 205	ANAM
3875	9A05893200	MAIN PCB	1		ANAM
3885	9A05893900	CAP,CERAMIC 2200PF	2	C105, 106	ANAM
3895	9A05894400	CAP,CERAMIC 18PF	2	C501, 502	ANAM
3905	9A05894800	DIODE,ZENER UZ5.1BMT	1	D909	ANAM
3915	9A05895900	TR,KTA1266YT	1	Q203	ANAM
3925	9A05895900	TR,KTA1266YT	1	Q206	ANAM
3935	9A05895900	TR,KTA1266YT	2	Q910, 911	ANAM
3945	9A05896000	TR,KTC2878B	6	Q501- 506	ANAM
3955	9A05896800	R,CARBON 1/4W 820	1	R932	ANAM
3965	9A05897100	R,CARBON 1/4W 3.9K	1	R914	ANAM
3975	9A05901600	CAP,ELECT 47UF/50V	2	C109, 110	ANAM
3985	9A05922300	CAP,ELECT 100UF	2	C111, 112	ANAM
3995	9A05969900	CAP,ELECT 10UF/50V	2	C540, 541	ANAM
4005	9A05970200	CAP,ELECT 220UF/35V	2	C203, 204	ANAM
4015	9A06065600	CAP,ELECT A1HH220B	1	C925	ANAM
4025	9A06169200	CAP,ELECT A2U100B	2	C907, 908	ANAM
4035	9A06169300	R,CARBON 1/4W 56K	1	R516	ANAM
404	...4	9A06166900	HEAT,SINK	1		ANAM
405	...4	9A06167000	WIRE ASS'Y MOLEX 5267-02A	1	BN22	ANAM
406	...4	9A06167100	CAP,ELECT TDL75V103N	2	C905, 906	ANAM
407	...4	9A06167200	CAP,ELECT A1ER102E	1	C926	ANAM
408	...4	9A06167400	IC ASS'Y MC7815VA	1	IC91	ANAM
4095	9A01535800	SCREW,KTB3+8J	1		ANAM
4105	9A05333600	HEAT SINK 1A043	1		ANAM
4115	9A05895100	IC MC7815C	1		ANAM
4125	9A06066300	COMPOUND,SILICONE	1		ANAM
413	...4	9A06167500	IC ASS'Y MC7915VA	1	IC92	ANAM
4145	9A01535800	SCREW,KTB3+8J	1		ANAM
4155	9A05333600	HEAT SINK 1A043	1		ANAM
4165	9A05895200	IC MC7915C	1		ANAM
4175	9A06066300	COMPOUND,SILICONE	1		ANAM
418	...4	9A06167600	WIRE ASS'Y D212350VV	1	JW91	ANAM
419	...4	9A06167600	WIRE ASS'Y D212350VV	1	JW93	ANAM
420	...4	9A06167700	WIRE ASS'Y D202350VV	1	JW92	ANAM
421	..3	9A06165600	TRANS POWER PCB ASS'Y	1		ANAM
422	...4	9A05967900	WAFER MOLEX 5268-03A	1	CN19	ANAM
423	...4	9A05986600	WIRE ASS'Y	1	JW94	ANAM
424	...4	9A06167800	TRANS POWER AUTO ASS'Y	1		ANAM
4255	9A01415500	CAP,MYLAR 0.0022UF/50V	4	C965- 968	ANAM
4265	9A01415800	CAP,MYLAR I1H473JZ3	2	C969, 970	ANAM
4275	9A05323600	CAP,MYLAR I1H104JZ	4	C961- 964	ANAM
4285	9A05915600	TRAS PCB	1		ANAM
429	..3	9A06165700	RIVET,NYLON	1		ANAM
430	..3	9A06165800	TUBE,(UL,VINYL)	2		ANAM
431	...4	9A06018100	TUBE,(UL;VINYL)	1		ANAM
432	..3	9A06165900	TUBE	2		ANAM
433	...4	9A06167900	TUBE,(UL;VINYL)	1		ANAM
434	1	9A06164700	BOX,OUT CARTON	1		ANAM
435	1	9A06164800	LABEL,BAR CODE	1		ANAM
436	1	9A06164900	INSTRUCTION MANUAL ASS'Y	1		ANAM
437	.2	9A05573400	OWNES MNL,A-R500/300 MULT	1		ANAM
438	.2	9A05917700	BAG,POLY 1061Y	1		ANAM
439	.2	9A05984600	CE MARKING SHEET	1		ANAM
440	.2	9A05984800	STAPLE	3		ANAM
441	1	9A05326600	CLAMPER,ARM	1		ANAM
442	1	9A05335600	LABEL,SERIAL NO	2		ANAM

OEM NO.
KARTAR300
BVIANAM1151R
KUR038XA
KPB1A008Z
KPG1A322Z
KUR038X
KTS26+10GFZ
KGT1A058
KGX3A200X
KHG3A099X
KHZ1T203
KKK1A012K27
KKM1A039K27
KKU1A060K27
KOP10923B
KRD20TJ101T
KRD20TJ561T
KCKF1H101KB
KVDSL22VR
BSB455EB1
KRD20TJ1R0T
KCKD1H103ZF
KUW1A029
KUW1A030
KVDAFHP51
KVTKTC3203Y
KCEA1EH470B
BVIANAM1151R
KHG1A124
KUP10923Z
K2K31121
KPB1A013Z
KPS1A304
KPL1T201
K4FC500CL
K4F5240CL
A-R500SETEX
KTB3+8JFZ
KTB3+6J
KHR301
KTW3+8J
KKL1A042H11
KHG2A050X
KKC2B019Z
KKC2A019
KHG1A113
KTB4+6FFZ
KGWA-R500Z
KTB3+10G
KTWS3+10G
KBN1A051
KGL1A108
KBN1A052Z
KGL1A109
KBT1A354
KBC1A045
KBT1A353
KGR1A093
KTB3+8F

KGB1A031H12
KHG1A087
KGW1A167YH10
KOP10872B
KJT777
KVDSR39MVW3
KVIMC4558S
KVIMC4558S
BJJ2E017Z
BVIRE5VA30CC
KHG1A085
KJP03GA01ZM
KJP04GA01ZM
KJP06GA01ZM
KMH1A044
KWZAA108004
KWZAR30005
KWZAR30006
KWZAR30025
KJP11GA01ZM
KVV2X01C104Z
KVV1U02W104Z
KVV1U01B503Z
KOX08000D160F
KJP09GA01ZM
KVVAB02A104Z
KWZAA108013
KWZAR30015
KWZAR30016
BJJ7A003Z
KJJ5Q004Y
KMC1A122
BJJ2E019Z
KSH2D07Z
KJP03GB03ZM
KWZACD6000JW53
KSL1A007ZE
BVIRPM638CBRL
K2K50301
K2K31121
K4F8120
KIP10872B
KRD20TJ392T
KRD20TJ472T
KRD20TJ472T
KRD20TJ473T
KRD20TJ473T
KRD20TJ473T
KRD20TJ473T
KRD20TJ473T
KRD20TJ473T
KRD20TJ474T
KRD20TJ563T
KRD20TJ821T
KRD25TJ101T
KRD25TJ101T
KRD25TJ102T
KRD20TJ102T
KRD20TJ102T
KRD20TJ102T
KRD20TJ102T
KRD20TJ102T
KRD20TJ102T
KRD20TJ102T
KRD20TJ102T
KRD20TJ103T
KRD20TJ103T

KRD20TJ103T
KRD20TJ103T
KRD20TJ103T
KRD20TJ103T
KRD20TJ103T
KRD20TJ151T
KRD20TJ182T
KRD20TJ223T
KRD20TJ223T
KRD20TJ223T
KRD20TJ223T
KRD20TJ223T
KRD20TJ223T
KRD20TJ224T
KRD20TJ331T
KRD20TJ331T
KCKR1H103ZF
KCKR1H103ZF
KCKR1H331KB
KVD1N4148MT
KVD1N4148T
KRD20TJ471T
KRD20TJ221T
KCQI1H472JZ3
KCQI1H103JZ3
KCQI1H103JZ3
KCQI1H223JZ3
KCQI1H223JZ3
KVTKSC2785YT
KVTKSR2206T
KST1A012ZT
KVTKSR1206T
KVTKSR1206T
KVTKSR1206T
KVTKSR1206T
KVTKSR1206T
KVTKTA1271YT
KVTKTC3203YT
KVTKTC3203YT
KVTKSR2204T
KVTKSR2204T
KVTKSR2204T
KCBS1E223ZFT
KCBS1E223ZFT
KCBS1H102KBT
KCBS1H102KBT
KCBS1H104ZFT
KCBS1H181KBT
KCBS1H330JT
KCBS1H473ZFT
KCBS1H473ZFT
KCBS1H473ZFT
KCQI1H123JZ3
KCQI1H393JZ3
KCQI1H683JZ3
KJCF5S
KRD25TJ223T
KUP1087Z
KCEA1HH2R2B
KCCR1H560JC
KCEA1VH100B
KCEA1VH100B
KCEA1VH100B
KCEA1VH100B
KCEA1VH100B
KCEA1HH4R7B
KCEA1VH101B
KCEA1HH1R0B

KCEA1HH1R0B
KCEA1CH101B
KCEA1HHR22B
KVD342YCF02T085
KVD342YCF02T085
KCEA1EH470B
KVTKTC3198YT
BVIANAM1128A
KCBS1C222MXT
KRD25TJ180T
K8E531
KWZAA108007
KWZAR30020
KJP02GA69ZP
KUAA-R500ZEX
KHE170
KHR129
KTB3+8JFZ
KTB3+10GFZ
KTB4+8F
KTB3+6J
KHG1A024
KTW3+12J
KTW3+8J
KUF1A017
KUA1A128
KUA1A127
KUH1A006
KBA2C4000NRE
KLT5V012ZW
KJA2A010Z
KHG1A080
KMA2A001
KKF1A120YK1
KHE36-3
KHR1A025
KJT1A020
KNW1A014
KOP10871B
KVTKSD288Y
KCEA1EU222E
KSL1A05AU-H
KTB3+8J
KJJ4R001Z-K
KVIGD4051B
KVIMC4558S
KVIMC7812VA
KTB3+8J
KVIMC7812C
KMY1A043
K8AYG6260
KJP02GA01ZM
KJP02GA01ZM
KJP04GA01ZM
KJP06GA01ZM
KNE75
KRG1ANJ100H
KTW3+8J
KJP11GA01ZM
KWZAA108001
KWZAR30009
KWZAA108019
KCEA2AU101E
KCKW2H103PE

KRD20TJ123T
KRD20TJ151T
KRD20TJ151T
KRD20TJ153T
KRD20TJ184T
KRD20TJ223T
KRD20TJ223T
KRD20TJ224T
KRD20TJ333T
KRD20TJ391T
KCKR1H101KB
KCKR1H101KB
KCKR1H103ZF
KCKR1H151KB
KCKR1H223ZF
KVD1N4148MT
KVD1N4148MT
KVD1N4148MT
KVD1N4148MT
KVD1N4148T
KRD20TJ332T
KRD20TJ332T
KRD20TJ471T
KRD20TJ471T
KRD20TJ562T
KRD25TJ151T
KCCR1H030CC
KRD20TJ221T
KCQI1H102JZ3
KCQI1H562JZ3
KCQI1H223JZ3
KCQI1H473JZ3
KCQI1H473JZ3
KCQI1H473JZ3
KRD25TJ332T
KRD25TJ332T
KVTKSC2785YT
KVTKSA1175YT
KVTKSA1175YT
KVTKSR2206T
KVDUZ5.6BMT
KVD1N4003ST
KVTKSA916YT
KVTKSC2316YT
KVTKSR1206T
KVTKSR1206T
KVTKTC3203YT
KCBS1E103ZFT
KCBS1E103ZFT
KCBS1E223ZFT
KCBS1E223ZFT
KCBS1E223ZFT
KCBS1H101KBT
KRD25TJ222T
KRD25TJ222T
KRD25TJ223T
KCCR1H220JC
KCEA1HH2R2B
KCEA1HH4R7B
KCEA1HH4R7B
KCEA1HH4R7B
KCEA1HH4R7B
KCEA1VH101B
KCEA1VH101B

KCEA1VH101B
KCEA1VH101B
KCEA1HH1R0B
KCEA1CH101B
KCEA1EH470B
KVTKTC3198YT
KVTKTC3198YT
KUP10871Z
KCKR1H222KB
KCCR1H180JC
KVDUZ5.1BMT
KVTKTA1266YT
KVTKTA1266YT
KVTKTA1266YT
KVTKTC2878BT
KRD25TJ821T
KRD25TJ392T
KCEA1HH470B
KCEA1HH101B
KCEA1HH100B
KCEA1VH221B
KCEA1HH220B
KCEA2AU100B
KRD25TJ563T
KMY1A102
KWZAA108022
KCETDL75V103N
KCEA1ER102E
KVIMC7815VA
KTB3+8J
KMY1A043
KVIMC7815C
K8AYG6260
KVIMC7915VA
KTB3+8J
KMY1A043
KVIMC7915C
K8AYG6260
KWED212350VV
KWED212350VV
KWED202350VV
KOP10949B
KJP03GB03ZM
KWZACD6000JW53
KIP10949B
KCQ11H223JZ3
KCQ11H473JZ3
KCQ11H104JZ3
KUP10949Z
KRE1A036
KWC90040030A
K4B90406
KWC90070015A
K4B90706
KPG1A328Y
KQB1A195Z
KQXAR300
KQX1A319Z
KPB1061Y
KQE1A070Z
KZPM0509
KHE154
KQT1A046

AMPLIFIER A-R600

LEVEL	PARTS NO.	DESCRIPTION	Q'TY	REF.NO.	M•R	
1	1	9A07304900	SET , AMPLIFIER	1		ANAM
2	•2	9A01377200	SCREW KTB3+8JFZ	6		ANAM
3	•2	9A01477900	SCREW,KTB4*12JFZ	2		ANAM
4	•2	9A05338800	SCREW KTB4+6F	4		ANAM
5	•2	9A07307000	FRONT PANEL ASS'Y	1		ANAM
6	••3	9A01377400	SCREW,KTB3+10G	27		ANAM
7	••3	9A01377600	SCREW,KTWS3+10G	1		ANAM
8	••3	9A01535800	SCREW,KTB3+8J	4		ANAM
9	••3	9A03741300	U-NUT JC-75	2		ANAM
10	••3	9A05887000	INDICATOR,FUNCTION	3		ANAM
11	••3	9A05963300	BRACKET,VOLUME	1		ANAM
12	••3	9A06228600	HOUSING , VOLUME	1		ANAM
13	••3	9A06783600	KNOB,POWER (PUSH)	1		ANAM
14	••3	9A07047400	BADGE	1		ANAM
15	••3	9A07067800	BRACKET,POWER	1		ANAM
16	••3	9A07242300	SPRING , FORMING	1		ANAM
17	••3	9A07305700	KNOB , SPEAKER	2		ANAM
18	••3	9A07305800	KNOB , LOUDNESS(PUSH)	1		ANAM
19	••3	9A07305900	KNOB , ROTARY	1		ANAM
20	••3	9A07306100	KNOB , ROTARY	3		ANAM
21	••3	9A07306200	KNOB , TACT	2		ANAM
22	••3	9A07306300	KNOB , POWER	1		ANAM
23	••3	9A07306400	KNOB , DIRECT	1		ANAM
24	••3	9A07306800	INDICATOR , FUNCTION	2		ANAM
25	••3	9A07306901	ORNAMENT,REMOTE	1		ANAM
26	••3	9A07307101	FRONT PANEL	1		ANAM
27	••3	9A07307300	VOLUME CAP ASS'Y(A)	1		ANAM
28	•••4	9A06225900	KNOB , VOLUME(A)	1		ANAM
29	•••4	9A07307200	CAP , VOLUME(A)	1		ANAM
30	•••4	9A07307600	PLATE , VOLUME	1		ANAM
31	••3	9A07307400	VOLUME CAP ASS'Y(A)	1		ANAM
32	•••4	9A07306000	KNOB(A) , VOLUME	1		ANAM
33	•••4	9A07307200	CAP , VOLUME(A)	1		ANAM
34	•••4	9A07307500	PLATE , VOLUME	1		ANAM
35	••3	9A07307700	HOUSING , VOLUME	1		ANAM
36	••3	9A07309100	SUB PCB ASS'Y	1		ANAM
37	•••4	9A05193000	CRYSTAL, 08000E160C	1	X 301	ANAM
38	•••4	9A05195800	IC,MC4558S	2	IC31 .32	ANAM
39	•••4	9A05195800	IC,MC4558S	2	IC41 .42	ANAM
40	•••4	9A05195800	IC,MC4558S	1	IC43	ANAM
41	•••4	9A05329100	WAFER MOLEX 5267-03A	1	CN07	ANAM
42	•••4	9A05329100	WAFER MOLEX 5267-03A	1	CN11	ANAM
43	•••4	9A05329100	WAFER MOLEX 5267-03A	1	CN41	ANAM
44	•••4	9A05329300	WAFER MOLEX 5267-04A	1	CN01	ANAM
45	•••4	9A05329400	WAFER 04GA09ZG	1	CN10	ANAM
46	•••4	9A05329600	WAFER MOLEX 5267-06A	1	CN21	ANAM
47	•••4	9A05341500	IC, KA7805-ABTU	1	IC94	ANAM
48	•••4	9A05385600	SW,PUSH(VERTICAL)	2	S 305 .306	ANAM
49	•••4	9A05916800	JACK, BOARD	1	JK31	ANAM
50	•••4	9A05967700	WAFER	1	CN42	ANAM
51	•••4	9A05967900	WAFER MOLEX 5268-03A	1	CN13	ANAM
52	•••4	9A05971200	IC.,LC4966	1	IC33	ANAM
53	•••4	9A05987100	RELAY HR-CR7-DC12V	1	RL92	ANAM
54	•••4	9A06059600	SOLDER,ALMIT SM:60%	0		ANAM
55	•••4	9A06059700	SOLDER,BAR S63S-W3.0	10		ANAM
56	•••4	9A06059900	SOLDER WIRE SN:PB=60:40	5		ANAM
57	•••4	9A06224600	RELAY G5Z-2A-DC12V	1	RL31	ANAM
58	•••4	9A06224700	VR,ENCODOR EC16B1220408A	1	SW71	ANAM
59	•••4	9A06226700	CE, 1000UF H 25V DC	1	C 381	ANAM

60	...4	9A06250700	WAFER	1	CN43	ANAM
61	...4	9A06538200	WAFER SYFW800-02P	1	CN14	ANAM
62	...4	9A06539100	THINNER	3		ANAM
63	...4	9A06692300	CAP,CERAMIC 4700PF/25V	2	C 382 .383	ANAM
64	...4	9A06757900	SENSOR,REMOCON	1	RC31	ANAM
65	...4	9A06758000	JACK,HEAD PHONE	1		ANAM
66	...4	9A06758000	JACK,HEAD PHONE	1	JK41	ANAM
67	...4	9A06758500	RES,VARIABLE	1	VR33	ANAM
68	...4	9A06784700	SW,PUSH (MOMS)	1	S 308	ANAM
69	...4	9A06785000	WAFER,MOLEX35328-02	1	CN18	ANAM
70	...4	9A06861900	OUTLET , AC (1P)	1	OT91	ANAM
71	...4	9A07044500	RES , VR	2	VR31 .32	ANAM
72	...4	9A07055100	WIRE	1	JW91	ANAM
73	...4	9A07055300	WIRE	1	JW92	ANAM
74	...4	9A07295100	WIRE ASSS'Y	1	JW45	ANAM
75	...4	9A07305400	RES , VARIABLE	1	VR41	ANAM
76	...4	9A07305500	RES , MOTOR	1	VR71	ANAM
77	...4	9A07307900	SUB PCB AUTO ASS'Y	1		ANAM
785	9A01378600	R,CARBON 1/5W 4.7K	2	R 358 .359	ANAM
795	9A01378600	R,CARBON 1/5W 4.7K	2	R 360 .361	ANAM
805	9A01378700	R,CARBON 1/5W 47K	2	R 301 .302	ANAM
815	9A01378700	R,CARBON 1/5W 47K	1	R 342	ANAM
825	9A01378700	R,CARBON 1/5W 47K	2	R 363 .364	ANAM
835	9A01378700	R,CARBON 1/5W 47K	1	R 402	ANAM
845	9A01378700	R,CARBON 1/5W 47K	1	R 414	ANAM
855	9A01378700	R,CARBON 1/5W 47K	2	R 418 .419	ANAM
865	9A01378700	R,CARBON 1/5W 47K	2	R 451 .452	ANAM
875	9A01378700	R,CARBON 1/5W 47K	2	R 457 .458	ANAM
885	9A01378700	R,CARBON 1/5W 47K	2	R 461 .462	ANAM
895	9A01378700	R,CARBON 1/5W 47K	1	R 923	ANAM
905	9A01378700	R,CARBON 1/5W 47K	1	R 925	ANAM
915	9A01379400	R,CARBON 1/5W 6.8K	2	R 459 .460	ANAM
925	9A01379500	R,CARBON 1/5W 68K	2	R 329 .330	ANAM
935	9A01380400	R,CARBON 1/5W 1K	1	R 350	ANAM
945	9A01380400	R,CARBON 1/5W 1K	1	R 401	ANAM
955	9A01380400	R,CARBON 1/5W 1K	1	R 413	ANAM
965	9A01380400	R,CARBON 1/5W 1K	1	R 417	ANAM
975	9A01380500	R,CARBON 1/5W 2.2K	2	R 321 .322	ANAM
985	9A01380500	R,CARBON 1/5W 2.2K	1	R 343	ANAM
995	9A01380500	R,CARBON 1/5W 2.2K	1	R 926	ANAM
1005	9A01380600	R,CARBON 1/5W 10K	2	R 311 .312	ANAM
1015	9A01380600	R,CARBON 1/5W 10K	2	R 317 .318	ANAM
1025	9A01380600	R,CARBON 1/5W 10K	2	R 319 .320	ANAM
1035	9A01380600	R,CARBON 1/5W 10K	1	R 344	ANAM
1045	9A01380600	R,CARBON 1/5W 10K	1	R 349	ANAM
1055	9A01380600	R,CARBON 1/5W 10K	1	R 390	ANAM
1065	9A01380600	R,CARBON 1/5W 10K	1	R 415	ANAM
1075	9A01380600	R,CARBON 1/5W 10K	1	R 922	ANAM
1085	9A01380600	R,CARBON 1/5W 10K	1	R 924	ANAM
1095	9A01381000	R,CARBON 1/5W 150	2	R 326 .327	ANAM
1105	9A01381000	R,CARBON 1/5W 150	1	R 328	ANAM
1115	9A01381000	R,CARBON 1/5W 150	2	R 331 .332	ANAM
1125	9A01381000	R,CARBON 1/5W 150	1	R 333	ANAM
1135	9A01381000	R,CARBON 1/5W 150	1	R 340	ANAM
1145	9A01381000	R,CARBON 1/5W 150	1	R 354	ANAM
1155	9A01381000	R,CARBON 1/5W 150	1	R 391	ANAM
1165	9A01381000	R,CARBON 1/5W 150	2	R 426 .427	ANAM
1175	9A01381000	R,CARBON 1/5W 150	2	R 453 .454	ANAM
1185	9A01381000	R,CARBON 1/5W 150	2	R 455 .456	ANAM
1195	9A01381500	R,CARBON 1/5W 22K	2	R 345 .346	ANAM
1205	9A01381500	R,CARBON 1/5W 22K	2	R 347 .348	ANAM
1215	9A01381500	R,CARBON 1/5W 22K	2	R 351 .352	ANAM
1225	9A01381500	R,CARBON 1/5W 22K	1	R 353	ANAM
1235	9A01381500	R,CARBON 1/5W 22K	2	R 381 .382	ANAM

1245	9A01381500	R,CARBON 1/5W 22K	1	R 412	ANAM
1255	9A01381500	R,CARBON 1/5W 22K	1	R 424	ANAM
1265	9A01381500	R,CARBON 1/5W 22K	2	R 463 .464	ANAM
1275	9A01381500	R,CARBON 1/5W 22K	2	R 465 .466	ANAM
1285	9A01381600	R,CARBON 1/5W 2.7K	1	R 423	ANAM
1295	9A01381700	R,CARBON 1/5W 220K	1	R 429	ANAM
1305	9A01381800	R,CARBON 1/5W 330	1	R 341	ANAM
1315	9A01381900	R,CARBON 1/5W 33K	1	R 928	ANAM
1325	9A01390500	DIODE,1N4148MT	1	D 310	ANAM
1335	9A01390500	DIODE,1N4148MT	1	D 313	ANAM
1345	9A01390500	DIODE,1N4148MT	2	D 401 .913	ANAM
1355	9A01398000	R,CARBON 1/5W 1M	2	R 383 .384	ANAM
1365	9A01398600	R,CARBON 1/5W 270K	2	R 313 .314	ANAM
1375	9A01398600	R,CARBON 1/5W 270K	1	R 334	ANAM
1385	9A01398600	R,CARBON 1/5W 270K	1	R 336	ANAM
1395	9A01398700	R,CARBON 1/5W 3.3K	2	R 309 .310	ANAM
1405	9A01398700	R,CARBON 1/5W 3.3K	2	R 315 .316	ANAM
1415	9A01410300	R,CARBON 1/5W 33	1	R 338	ANAM
1425	9A01410900	R,CARBON 1/5W 8.2K	2	R 385 .386	ANAM
1435	9A01544100	R,CARBON 1/5W 180	1	R 339	ANAM
1445	9A01544200	R,CARBON 1/5W 27K	1	R 335	ANAM
1455	9A01544200	R,CARBON 1/5W 27K	1	R 337	ANAM
1465	9A03745200	TR,KSR2206TA	1	Q 310	ANAM
1475	9A03745200	TR,KSR2206TA	1	Q 312	ANAM
1485	9A03745200	TR,KSR2206TA	1	Q 320	ANAM
1495	9A03745200	TR,KSR2206TA	1	Q 330	ANAM
1505	9A03747300	TR,KSB811-YTA	2	Q 326 .327	ANAM
1515	9A03811700	TR,KSD1021-YTA	1	Q 321	ANAM
1525	9A03811700	TR,KSD1021-YTA	2	Q 324 .325	ANAM
1535	9A03811700	TR,KSD1021-YTA	1	Q 901	ANAM
1545	9A05194600	DIODE,1N4003SRT	1	D 914	ANAM
1555	9A05195000	LED,RED SLR342VCF02	1	D 309	ANAM
1565	9A05196900	TR,KSR1206TA	2	Q 301 .302	ANAM
1575	9A05196900	TR,KSR1206TA	2	Q 303 .304	ANAM
1585	9A05196900	TR,KSR1206TA	2	Q 305 .306	ANAM
1595	9A05196900	TR,KSR1206TA	2	Q 307 .308	ANAM
1605	9A05196900	TR,KSR1206TA	1	Q 309	ANAM
1615	9A05196900	TR,KSR1206TA	1	Q 311	ANAM
1625	9A05196900	TR,KSR1206TA	1	Q 317	ANAM
1635	9A05196900	TR,KSR1206TA	1	Q 319	ANAM
1645	9A05196900	TR,KSR1206TA	1	Q 322	ANAM
1655	9A05196900	TR,KSR1206TA	1	Q 328	ANAM
1665	9A05198800	TR,KSR2204TA	2	Q 313 .314	ANAM
1675	9A05198800	TR,KSR2204TA	2	Q 315 .316	ANAM
1685	9A05318400	CC, 10000PF Z F 25V	1	C 351	ANAM
1695	9A05318400	CC, 10000PF Z F 25V	2	C 363 .364	ANAM
1705	9A05318400	CC, 10000PF Z F 25V	1	C 389	ANAM
1715	9A05318400	CC, 10000PF Z F 25V	1	C 465	ANAM
1725	9A05318500	CC, 22000PF Z F 25V	2	C 319 .320	ANAM
1735	9A05318500	CC, 22000PF Z F 25V	2	C 321 .322	ANAM
1745	9A05318500	CC, 22000PF Z F 25V	2	C 325 .326	ANAM
1755	9A05318500	CC, 22000PF Z F 25V	1	C 354	ANAM
1765	9A05318500	CC, 22000PF Z F 25V	1	C 395	ANAM
1775	9A05318500	CC, 22000PF Z F 25V	2	C 411 .412	ANAM
1785	9A05318500	CC, 22000PF Z F 25V	2	C 461 .462	ANAM
1795	9A05318500	CC, 22000PF Z F 25V	2	C 463 .464	ANAM
1805	9A05318700	CAP,CERAMIC 100PF/50V K	1	C 401	ANAM
1815	9A05318800	CAP,CERAMIC 1000PF/50V K	2	C 357 .358	ANAM
1825	9A05318800	CAP,CERAMIC 1000PF/50V K	2	C 387 .388	ANAM
1835	9A05319300	CAP,CERAMIC 180PF/50V K	1	C 403	ANAM
1845	9A05319500	CAP,CERAMIC S1H220JCT	2	C 453 .454	ANAM
1855	9A05320400	CAP,CERAMIC 0.047UF/50V Z	1	C 329	ANAM
1865	9A05320400	CAP,CERAMIC 0.047UF/50V Z	1	C 361	ANAM
1875	9A05320400	CAP,CERAMIC 0.047UF/50V Z	1	C 367	ANAM

1885	9A05320400	CAP,CERAMIC 0.047UF/50V Z	2	C 391 .393	ANAM
1895	9A05328200	HOLDER,FUSE KJCF5S	2	F 902	ANAM
1905	9A05890300	LED,YELLOW SLR342YCF02	2	D 301 .302	ANAM
1915	9A05890300	LED,YELLOW SLR342YCF02	2	D 303 .304	ANAM
1925	9A05890300	LED,YELLOW SLR342YCF02	2	D 305 .306	ANAM
1935	9A05890300	LED,YELLOW SLR342YCF02	1	D 307	ANAM
1945	9A05890300	LED,YELLOW SLR342YCF02	1	D 314	ANAM
1955	9A05892800	TR,KTC3198YT	2	Q 401 .402	ANAM
1965	9A05972700	CAP,CERAMIC 4700PF 16V M	2	C 384 .385	ANAM
1975	9A05973900	R,CARBON 1/5W 51K	2	R 305 .306	ANAM
1985	9A05978700	R.,10-OHM	1	R 921	ANAM
1995	9A06065800	R,CARBON 1/4W 18	1	R 362	ANAM
2005	9A06671200	SW.TACT EVQ21505R	2	S 301 .302	ANAM
2015	9A06671200	SW.TACT EVQ21505R	2	S 303 .304	ANAM
2025	9A06692900	CAP,CERAMIC 18PF/50V J	2	C 327 .328	ANAM
2035	9A06693200	CAP,ELECT 100UF/16V	1	C 332	ANAM
2045	9A06693200	CAP,ELECT 100UF/16V	1	C 390	ANAM
2055	9A06693200	CAP,ELECT 100UF/16V	1	C 394	ANAM
2065	9A06693600	CAP,ELECT 47UF/25V	2	C 315 .316	ANAM
2075	9A06693600	CAP,ELECT 47UF/25V	2	C 317 .318	ANAM
2085	9A06693600	CAP,ELECT 47UF/25V	2	C 336 .337	ANAM
2095	9A06694100	CAP,ELECT 1.0UF/50V	1	C 353	ANAM
2105	9A06694100	CAP,ELECT 1.0UF/50V	1	C 396	ANAM
2115	9A06694500	CAP,ELECT 4.7UF/50V	2	C 455 .456	ANAM
2125	9A06694900	CAP,ELECT 10UF/35V	2	C 301 .302	ANAM
2135	9A06694900	CAP,ELECT 10UF/35V	2	C 313 .314	ANAM
2145	9A06694900	CAP,ELECT 10UF/35V	2	C 323 .324	ANAM
2155	9A06694900	CAP,ELECT 10UF/35V	1	C 404	ANAM
2165	9A06694900	CAP,ELECT 10UF/35V	2	C 406 .407	ANAM
2175	9A06694900	CAP,ELECT 10UF/35V	1	C 409	ANAM
2185	9A06694900	CAP,ELECT 10UF/35V	2	C 451 .452	ANAM
2195	9A06694900	CAP,ELECT 10UF/35V	2	C 457 .458	ANAM
2205	9A06694900	CAP,ELECT 10UF/35V	2	C 459 .460	ANAM
2215	9A06695200	CAP,CERAMIC 0.01UF/50V Z	1	C 365	ANAM
2225	9A06695600	CAP,MYLAR 0.01UF/50V J	1	C 338	ANAM
2235	9A06695800	CAP,MYLAR KCQ1H152JZ3	2	C 309 .310	ANAM
2245	9A06695800	CAP,MYLAR KCQ1H152JZ3	2	C 311 .312	ANAM
2255	9A06696200	CAP,MYLAR 0.047UF/50V J	2	C 305 .306	ANAM
2265	9A06696200	CAP,MYLAR 0.047UF/50V J	2	C 307 .308	ANAM
2275	9A06696400	CAP,MYLAR 0.068UF/50V J	2	C 359 .360	ANAM
2285	9A06763200	CAP,ELECT 1000UF/6.3V	1	C 330	ANAM
2295	9A06766800	CAP,MYLAR 0.1UF/50V J	2	C 398 .399	ANAM
2305	9A06766900	CC, 0.22UF H 50V DC	1	C 405	ANAM
2315	9A06862800	CAP,CERAMIC T1H050CC	2	C 303 .304	ANAM
2325	9A06863200	CAP,MYLAR 1H393JZT	1	C 402	ANAM
2335	9A06873000	CHIP,BOND	1		ANAM
2345	9A07306500	CAP , CERAMIC	1	C 408	ANAM
2355	9A07310400	SUB , PCB	1		ANAM
2365	9A07310600	L.E.D , GREEN SLR325MCA47	1	D 308	ANAM
2375	9A07310600	L.E.D , GREEN SLR325MCA47	1	D 312	ANAM
2385	9A07310800	T.R KSR1212T	1	Q 318	ANAM
239	...4	9A07308100	WAFER	1	CN15	ANAM
240	...4	9A07308500	TRANS , SUB	1	T 001	ANAM
241	...4	9A07308700	BRACKET,PCB	2	BK01 .02	ANAM
242	...4	9A07308700	BRACKET,PCB	1	BK03	ANAM
243	...4	9A07310000	SW , PUSH	1	S 307	ANAM
244	...4	9A07311000	WIRE ASS'Y	1	BN02	ANAM
245	...4	9A07311200	WIRE ASS'Y	1	BN06	ANAM
246	...4	9A07311300	WIRE ASS'Y	1	BN07	ANAM
247	...4	9A07311400	WIRE ASS'Y	1	BN09	ANAM
248	...4	9A07311500	WIRE ASS'Y	1	BN10	ANAM
249	...4	9A07311600	WIRE ASS'Y	1	BN12	ANAM
250	...4	9A07311800	WIRE ASS'Y	1	BN21	ANAM
251	...4	9A07311900	WIRE ASS'Y	1	JW18	ANAM

252	...4	9A07312100	WIRE ASS'Y	1	BN03	ANAM
253	...4	9A07312200	WIRE ASS'Y	1	BN04	ANAM
254	...4	9A07312300	WIRE ASS'Y	1	BN11	ANAM
255	...4	9A07312400	WIRE ASS'Y	1	BN41	ANAM
256	...4	9A07312500	WIRE ASS'Y	1	BN42	ANAM
257	...4	9A07312700	WIRE ASS'Y	1	BN44	ANAM
258	...4	9A07312800	WIRE ASS'Y	1	BN93	ANAM
259	...4	9A07312900	WIRE ASS'Y	1	JW22	ANAM
260	...4	9A09062100	IC,U-COM ANAM1275A	1	IC34	ANAM
261	•2	9A07308300	CABINET , TOP	1		ANAM
262	•2	9A07310100	BOTTOM CHASSIS ASS'Y	1		ANAM
263	••3	9A01375500	PCB HOLDER A-60	5		ANAM
264	••3	9A01377200	SCREW KTB3+8JFZ	13		ANAM
265	••3	9A01377300	SCREW,KTB3+10GFZ	15		ANAM
266	••3	9A01477800	SCREW,KTB4*8F	4		ANAM
267	••3	9A01535800	SCREW,KTB3+8J	11		ANAM
268	••3	9A05327300	CLAMPER KHR301	4		ANAM
269	••3	9A05339100	SCREW KTW3+12J	3		ANAM
270	••3	9A05339200	SCREW KTW3+8J	6		ANAM
271	••3	9A05891400	FOOT,FRONT	2		ANAM
272	••3	9A05894900	FUSE F4A	1	F 902	ANAM
273	••3	9A05917200	GROUND TERMINAL	1		ANAM
274	••3	9A05921700	RUBBER	3		ANAM
275	••3	9A06028100	SCREW KTW3+16J	2		ANAM
276	••3	9A06538800	SOLDER,WIRE SN60/PH40	2		ANAM
277	••3	9A06754800	RUBBER,CUSHION	2		ANAM
278	••3	9A06755300	FOOT,RUBBER(BLACK)	2		ANAM
279	••3	9A06755800	LABEL,FUSE CAUTION	1		ANAM
280	••3	9A06783800	BUSHING,AC POWER CORD	1		ANAM
281	••3	9A07305000	CORD , POWER	1		ANAM
282	••3	9A07308400	PANEL , REAR	1		ANAM
283	••3	9A07308600	TRANS , POWER	1		ANAM
284	••3	9A07309000	MAIN PCB ASS'Y	1		ANAM
285	...4	9A05195800	IC,MC4558S	1	IC02	ANAM
286	...4	9A05328900	WAFER MOLEX 5267-02A	1	CN21	ANAM
287	...4	9A05328900	WAFER MOLEX 5267-02A	2	TP01 .02	ANAM
288	...4	9A05329300	WAFER MOLEX 5267-04A	2	CN04 .05	ANAM
289	...4	9A05329400	WAFER 04GA09ZG	1	CN44	ANAM
290	...4	9A05329600	WAFER MOLEX 5267-06A	1	CN06	ANAM
291	...4	9A05330000	WAFER MOLEX 5267-07A	1	CN03	ANAM
292	...4	9A05333900	PLATE,EARTH	1		ANAM
293	...4	9A05338000	RES,METAL 10 OHM 1W J	2	R 555 .556	ANAM
294	...4	9A05338000	RES,METAL 10 OHM 1W J	2	R 557 .558	ANAM
295	...4	9A05890200	WAFER MOLEX 5267-11A	1	CN09	ANAM
296	...4	9A05894500	CAP,CERAMIC 0.01UF,500V	2	C 901 .902	ANAM
297	...4	9A05894500	CAP,CERAMIC 0.01UF,500V	2	C 903 .904	ANAM
298	...4	9A05894700	WAFER(5P)	1	CN02	ANAM
299	...4	9A05895800	COIL,SPEAKER	2	L 501 .502	ANAM
300	...4	9A05896300	R.,0.22-OHM,5W	2	R 559 .560	ANAM
301	...4	9A05896300	R.,0.22-OHM,5W	2	R 561 .562	ANAM
302	...4	9A05896500	R.,390-OHM,2W	2	R 575 .576	ANAM
303	...4	9A05896900	R,CARBON 1/2W 12K	2	R 901 .902	ANAM
304	...4	9A05896900	R,CARBON 1/2W 12K	2	R 907 .908	ANAM
305	...4	9A05896900	R,CARBON 1/2W 12K	2	R 909 .910	ANAM
306	...4	9A05976400	BRIDGE DIODE ASS'Y	1	D 901	ANAM
307	...5	9A05987900	DIODE,BRIDGE,BPC2504WF	1		ANAM
308	...5	9A05988000	HEAT SINK	1		ANAM
309	...5	9A05988100	SCREW	1		ANAM
310	...4	9A05976700	IC.ASS'Y KMY1A025	1	IC93	ANAM
311	...5	9A01535800	SCREW,KTB3+8J	1		ANAM
312	...5	9A05333500	HEAT SINK 1A025	1		ANAM
313	...5	9A05341500	IC, KA7805-ABTU	1		ANAM
314	...5	9A06066300	COMPOUND,SILICONE	1		ANAM
315	...4	9A05976900	TR.,2SC1841	2	Q 509 .510	ANAM

316	...4	9A05976900	TR.,2SC1841	2	Q 511 .512	ANAM
317	...4	9A05977000	TR.,2SA1175	2	Q 513 .514	ANAM
318	...4	9A05977000	TR.,2SA1175	2	Q 515 .516	ANAM
319	...4	9A05977100	TR.,2SC2682	2	Q 519 .520	ANAM
320	...4	9A05977100	TR.,2SC2682	2	Q 521 .522	ANAM
321	...4	9A05977500	TR.,2SA1859A	2	Q 531 .532	ANAM
322	...4	9A05977600	TR.,2SC4883A	2	Q 529 .530	ANAM
323	...4	9A05977900	TR.,2SA1142	2	Q 517 .518	ANAM
324	...4	9A05978400	R.,27K-OHM,1W	2	R 553 .554	ANAM
325	...4	9A05978900	R.,10-OHM,2W	2	R 565 .566	ANAM
326	...4	9A05979000	R.,4.7-OHM,2W	2	R 563 .564	ANAM
327	...4	9A05987100	RELAY HR-CR7-DC12V	2	RL01 .02	ANAM
328	...4	9A05987100	RELAY HR-CR7-DC12V	2	RL03 .04	ANAM
329	...4	9A06059700	SOLDER,BAR S63S-W3.0	17		ANAM
330	...4	9A06059900	SOLDER WIRE SN:PB=60:40	15		ANAM
331	...4	9A06167100	CAP,ELECT TDL75V103N	2	C 905 .906	ANAM
332	...4	9A06224100	BOND DN83K(DIABOND)	3		ANAM
333	...4	9A06225300	T.R 2SA1209S	2	Q 413 .414	ANAM
334	...4	9A06225500	T.R 2SC2911S	2	Q 411 .412	ANAM
335	...4	9A06226700	CE, 1000UF H 25V DC	2	C 909 .910	ANAM
336	...4	9A06539000	FLUX	5		ANAM
337	...4	9A06539100	THINNER	5		ANAM
338	...4	9A06674500	IC NJU7312L	1	IC01	ANAM
339	...4	9A06677000	TERMINAL SP	1	SP01	ANAM
340	...4	9A06700800	I.C ASS'Y KVIMC7915CZA	1	IC92	ANAM
3415	9A01535800	SCREW,KTB3+8J	1		ANAM
3425	9A05333500	HEAT SINK 1A025	1		ANAM
3435	9A05895200	IC MC7915C	1		ANAM
3445	9A06066300	COMPOUND,SILICONE	1		ANAM
345	...4	9A06760900	R,FUSE 0.47 OHM 1W J	2	R 903 .904	ANAM
346	...4	9A06760900	R,FUSE 0.47 OHM 1W J	2	R 905 .906	ANAM
347	...4	9A06761800	TERMINAL,IN/OUT	2	JK01 .02	ANAM
348	...4	9A06761800	TERMINAL,IN/OUT	1	JK03	ANAM
349	...4	9A07305100	RES , SEMI FIXED	2	VR51 .52	ANAM
350	...4	9A07305200	T.R 2SA1360O	2	Q 527 .528	ANAM
351	...4	9A07305300	T.R 2SC3423O	2	Q 525 .526	ANAM
352	...4	9A07306600	CAP , ELECT	2	C 911 .912	ANAM
353	...4	9A07307800	MAIN PCB AUTO ASS'Y	1		ANAM
3545	9A01378300	R,CARBON 1/5W 100	2	R 405 .406	ANAM
3555	9A01378300	R,CARBON 1/5W 100	2	R 515 .516	ANAM
3565	9A01378300	R,CARBON 1/5W 100	1	R 518	ANAM
3575	9A01378400	R,CARBON 1/5W 3.9K	2	R 513 .514	ANAM
3585	9A01378600	R,CARBON 1/5W 4.7K	2	R 151 .152	ANAM
3595	9A01378600	R,CARBON 1/5W 4.7K	2	R 155 .156	ANAM
3605	9A01378600	R,CARBON 1/5W 4.7K	2	R 171 .172	ANAM
3615	9A01378600	R,CARBON 1/5W 4.7K	1	R 173	ANAM
3625	9A01378600	R,CARBON 1/5W 4.7K	2	R 503 .504	ANAM
3635	9A01378600	R,CARBON 1/5W 4.7K	2	R 507 .508	ANAM
3645	9A01378600	R,CARBON 1/5W 4.7K	2	R 529 .530	ANAM
3655	9A01378700	R,CARBON 1/5W 47K	2	R 135 .136	ANAM
3665	9A01378700	R,CARBON 1/5W 47K	2	R 137 .138	ANAM
3675	9A01378700	R,CARBON 1/5W 47K	2	R 139 .140	ANAM
3685	9A01378700	R,CARBON 1/5W 47K	2	R 141 .142	ANAM
3695	9A01378700	R,CARBON 1/5W 47K	2	R 143 .144	ANAM
3705	9A01378700	R,CARBON 1/5W 47K	2	R 145 .146	ANAM
3715	9A01378700	R,CARBON 1/5W 47K	2	R 149 .150	ANAM
3725	9A01378700	R,CARBON 1/5W 47K	1	R 230	ANAM
3735	9A01378700	R,CARBON 1/5W 47K	2	R 509 .510	ANAM
3745	9A01378700	R,CARBON 1/5W 47K	2	R 511 .512	ANAM
3755	9A01379000	R,CARBON 1/5W 560	2	R 103 .104	ANAM
3765	9A01379000	R,CARBON 1/5W 560	2	R 111 .112	ANAM
3775	9A01379000	R,CARBON 1/5W 560	2	R 533 .534	ANAM
3785	9A01379100	R,CARBON 1/5W 56K	2	R 105 .106	ANAM
3795	9A01379100	R,CARBON 1/5W 56K	2	R 433 .434	ANAM

3805	9A01379400	R,CARBON 1/5W 6.8K	1	R 225	ANAM
3815	9A01379400	R,CARBON 1/5W 6.8K	2	R 235 .236	ANAM
3825	9A01379600	R,CARBON 1/5W 820	2	R 535 .536	ANAM
3835	9A01379900	R,CARBON 1/4W 100	1	R 517	ANAM
3845	9A01379900	R,CARBON 1/4W 100	2	R 519 .520	ANAM
3855	9A01380400	R,CARBON 1/5W 1K	2	R 119 .120	ANAM
3865	9A01380400	R,CARBON 1/5W 1K	2	R 121 .122	ANAM
3875	9A01380400	R,CARBON 1/5W 1K	2	R 123 .124	ANAM
3885	9A01380400	R,CARBON 1/5W 1K	2	R 125 .126	ANAM
3895	9A01380400	R,CARBON 1/5W 1K	2	R 129 .130	ANAM
3905	9A01380400	R,CARBON 1/5W 1K	2	R 133 .134	ANAM
3915	9A01380400	R,CARBON 1/5W 1K	1	R 210	ANAM
3925	9A01380400	R,CARBON 1/5W 1K	2	R 419 .420	ANAM
3935	9A01380400	R,CARBON 1/5W 1K	2	R 421 .422	ANAM
3945	9A01380400	R,CARBON 1/5W 1K	2	R 431 .432	ANAM
3955	9A01380400	R,CARBON 1/5W 1K	2	R 501 .502	ANAM
3965	9A01380400	R,CARBON 1/5W 1K	2	R 911 .912	ANAM
3975	9A01380400	R,CARBON 1/5W 1K	1	R 920	ANAM
3985	9A01380500	R,CARBON 1/5W 2.2K	2	R 201 .202	ANAM
3995	9A01380500	R,CARBON 1/5W 2.2K	1	R 226	ANAM
4005	9A01380500	R,CARBON 1/5W 2.2K	1	R 229	ANAM
4015	9A01380500	R,CARBON 1/5W 2.2K	2	R 409 .410	ANAM
4025	9A01380500	R,CARBON 1/5W 2.2K	2	R 413 .414	ANAM
4035	9A01380500	R,CARBON 1/5W 2.2K	2	R 415 .416	ANAM
4045	9A01380500	R,CARBON 1/5W 2.2K	2	R 525 .526	ANAM
4055	9A01380600	R,CARBON 1/5W 10K	1	R 175	ANAM
4065	9A01380600	R,CARBON 1/5W 10K	2	R 214 .215	ANAM
4075	9A01380600	R,CARBON 1/5W 10K	1	R 217	ANAM
4085	9A01380600	R,CARBON 1/5W 10K	1	R 228	ANAM
4095	9A01380600	R,CARBON 1/5W 10K	1	R 922	ANAM
4105	9A01380800	R,CARBON 1/5W 120	2	R 401 .402	ANAM
4115	9A01380900	R,CARBON 1/5W 12K	2	R 107 .108	ANAM
4125	9A01380900	R,CARBON 1/5W 12K	2	R 205 .206	ANAM
4135	9A01381000	R,CARBON 1/5W 150	2	R 157 .158	ANAM
4145	9A01381100	R,CARBON 1/5W 15K	2	R 203 .204	ANAM
4155	9A01381100	R,CARBON 1/5W 15K	2	R 527 .528	ANAM
4165	9A01381400	R,CARBON 1/5W 180K	2	R 109 .110	ANAM
4175	9A01381500	R,CARBON 1/5W 22K	2	R 211 .212	ANAM
4185	9A01381500	R,CARBON 1/5W 22K	1	R 223	ANAM
4195	9A01381500	R,CARBON 1/5W 22K	2	R 403 .404	ANAM
4205	9A01381500	R,CARBON 1/5W 22K	2	R 407 .408	ANAM
4215	9A01381500	R,CARBON 1/5W 22K	1	R 921	ANAM
4225	9A01381600	R,CARBON 1/5W 2.7K	2	R 531 .532	ANAM
4235	9A01381700	R,CARBON 1/5W 220K	2	R 115 .116	ANAM
4245	9A01381700	R,CARBON 1/5W 220K	2	R 915 .916	ANAM
4255	9A01381900	R,CARBON 1/5W 33K	2	R 207 .208	ANAM
4265	9A01381900	R,CARBON 1/5W 33K	1	R 216	ANAM
4275	9A01381900	R,CARBON 1/5W 33K	1	R 218	ANAM
4285	9A01381900	R,CARBON 1/5W 33K	2	R 417 .418	ANAM
4295	9A01390500	DIODE,1N4148MT	2	D 201 .202	ANAM
4305	9A01390500	DIODE,1N4148MT	2	D 203 .204	ANAM
4315	9A01390500	DIODE,1N4148MT	1	D 205	ANAM
4325	9A01390500	DIODE,1N4148MT	2	D 207 .208	ANAM
4335	9A01390500	DIODE,1N4148MT	2	D 209 .210	ANAM
4345	9A01390500	DIODE,1N4148MT	2	D 211 .212	ANAM
4355	9A01390500	DIODE,1N4148MT	2	D 401 .402	ANAM
4365	9A01390500	DIODE,1N4148MT	2	D 403 .404	ANAM
4375	9A01390500	DIODE,1N4148MT	2	D 405 .406	ANAM
4385	9A01390500	DIODE,1N4148MT	2	D 407 .408	ANAM
4395	9A01390500	DIODE,1N4148MT	2	D 505 .506	ANAM
4405	9A01390500	DIODE,1N4148MT	2	D 507 .508	ANAM
4415	9A01390500	DIODE,1N4148MT	2	D 509 .510	ANAM
4425	9A01390500	DIODE,1N4148MT	2	D 511 .512	ANAM
4435	9A01390500	DIODE,1N4148MT	2	D 513 .514	ANAM

4445	9A01390500	DIODE,1N4148MT	2	D 516 .517	ANAM
4455	9A01390500	DIODE,1N4148MT	2	D 518 .519	ANAM
4465	9A01390500	DIODE,1N4148MT	2	D 520 .521	ANAM
4475	9A01390500	DIODE,1N4148MT	2	D 522 .523	ANAM
4485	9A01390500	DIODE,1N4148MT	2	D 524 .525	ANAM
4495	9A01390500	DIODE,1N4148MT	2	D 526 .527	ANAM
4505	9A01390500	DIODE,1N4148MT	2	D 528 .529	ANAM
4515	9A01390500	DIODE,1N4148MT	2	D 530 .531	ANAM
4525	9A01390500	DIODE,1N4148MT	2	D 532 .533	ANAM
4535	9A01390500	DIODE,1N4148MT	1	D 534	ANAM
4545	9A01390500	DIODE,1N4148MT	1	D 916	ANAM
4555	9A01390600	DIODE,1N4148T	1	D 515	ANAM
4565	9A01398000	R,CARBON 1/5W 1M	2	R 523 .524	ANAM
4575	9A01398100	R,CARBON 1/5W 1.2K	2	R 429 .430	ANAM
4585	9A01398100	R,CARBON 1/5W 1.2K	2	R 917 .918	ANAM
4595	9A01398500	R,CARBON 1/5W 270	2	R 505 .506	ANAM
4605	9A01398800	R,CARBON 1/5W 470	2	R 101 .102	ANAM
4615	9A01398800	R,CARBON 1/5W 470	2	R 127 .128	ANAM
4625	9A01398800	R,CARBON 1/5W 470	2	R 131 .132	ANAM
4635	9A01398800	R,CARBON 1/5W 470	1	R 224	ANAM
4645	9A01399500	R,CARBON 1/4W 150	2	R 117 .118	ANAM
4655	9A01410100	R,CARBON 10 OHM 1/5W J	1	R 227	ANAM
4665	9A01410500	R,CARBON 1/5W 220	2	R 113 .114	ANAM
4675	9A01410500	R,CARBON 1/5W 220	2	R 521 .522	ANAM
4685	9A01410500	R,CARBON 1/5W 220	2	R 537 .538	ANAM
4695	9A01491400	R,CARBON 1/5W 82	2	R 219 .220	ANAM
4705	9A01491400	R,CARBON 1/5W 82	2	R 221 .222	ANAM
4715	9A01492100	R,CARBON 1/4W 10K	1	R 176	ANAM
4725	9A01492100	R,CARBON 1/4W 10K	1	R 213	ANAM
4735	9A01544200	R,CARBON 1/5W 27K	2	R 411 .412	ANAM
4745	9A03745200	TR,KSR2206TA	2	Q 205 .206	ANAM
4755	9A03745200	TR,KSR2206TA	1	Q 207	ANAM
4765	9A03745200	TR,KSR2206TA	1	Q 211	ANAM
4775	9A03747300	TR,KSB811-YTA	1	Q 213	ANAM
4785	9A05194700	DIODE,1N4003ST	2	D 902 .903	ANAM
4795	9A05194700	DIODE,1N4003ST	2	D 904 .905	ANAM
4805	9A05194700	DIODE,1N4003ST	2	D 906 .907	ANAM
4815	9A05194700	DIODE,1N4003ST	2	D 908 .909	ANAM
4825	9A05196700	TR,KSA916-Y-SHTA	1	Q 902	ANAM
4835	9A05196800	TR,KSC2316-Y-SHTA	1	Q 901	ANAM
4845	9A05197400	TR,KTC3203YT	2	Q 208 .209	ANAM
4855	9A05318400	CC, 10000PF Z F 25V	2	C 205 .206	ANAM
4865	9A05318400	CC, 10000PF Z F 25V	2	C 207 .208	ANAM
4875	9A05318400	CC, 10000PF Z F 25V	2	C 543 .544	ANAM
4885	9A05318500	CC, 22000PF Z F 25V	2	C 117 .118	ANAM
4895	9A05318500	CC, 22000PF Z F 25V	2	C 143 .144	ANAM
4905	9A05318500	CC, 22000PF Z F 25V	2	C 941 .942	ANAM
4915	9A05320100	CAP,CERAMIC S1H391KBT	2	C 503 .504	ANAM
4925	9A05892800	TR,KTC3198YT	2	Q 201 .202	ANAM
4935	9A05892800	TR,KTC3198YT	2	Q 203 .204	ANAM
4945	9A05892800	TR,KTC3198YT	1	Q 210	ANAM
4955	9A05892800	TR,KTC3198YT	1	Q 212	ANAM
4965	9A05892800	TR,KTC3198YT	2	Q 409 .410	ANAM
4975	9A05895900	TR,KTA1266YT	2	Q 407 .408	ANAM
4985	9A05896000	TR,KTC2878B	2	Q 101 .102	ANAM
4995	9A05896000	TR,KTC2878B	2	Q 105 .106	ANAM
5005	9A05896000	TR,KTC2878B	2	Q 501 .502	ANAM
5015	9A05896000	TR,KTC2878B	2	Q 503 .504	ANAM
5025	9A05896200	R.,100-OHM,1/4W	2	R 539 .540	ANAM
5035	9A05896200	R.,100-OHM,1/4W	2	R 541 .542	ANAM
5045	9A05896200	R.,100-OHM,1/4W	2	R 543 .544	ANAM
5055	9A05902200	DIODE,ZENER,30V	2	D 910 .911	ANAM
5065	9A05902300	DIODE,ZENER,6.2Z	1	D 206	ANAM
5075	9A05902300	DIODE,ZENER,6.2Z	2	D 501 .502	ANAM

5085	9A05902300	DIODE,ZENER,6.2Z	2	D 503 .504	ANAM
5095	9A05978700	R.,10-OHM	2	R 567 .568	ANAM
5105	9A05978700	R.,10-OHM	2	R 569 .570	ANAM
5115	9A06234000	R,CARBON 1/5W 910 OHM J	2	R 423 .424	ANAM
5125	9A06234300	R,CARBON 25TJ560T	2	R 425 .426	ANAM
5135	9A06234300	R,CARBON 25TJ560T	2	R 427 .428	ANAM
5145	9A06236600	TR,KTA1268GRT	2	Q 401 .402	ANAM
5155	9A06236600	TR,KTA1268GRT	2	Q 403 .404	ANAM
5165	9A06236700	TR,KTC3200GRT	2	Q 405 .406	ANAM
5175	9A06236800	F.E.T KTK117Y	2	Q 505 .506	ANAM
5185	9A06236800	F.E.T KTK117Y	2	Q 507 .508	ANAM
5195	9A06239800	CAP,CERAMIC 56PF 50V J	2	C 939 .940	ANAM
5205	9A06692700	CAP,CERAMIC 3PF/50V C	2	C 403 .404	ANAM
5215	9A06692700	CAP,CERAMIC 3PF/50V C	2	C 507 .508	ANAM
5225	9A06692900	CAP,CERAMIC 18PF/50V J	2	C 101 .102	ANAM
5235	9A06693000	CAP,CERAMIC 56PF/50V J	2	C 523 .524	ANAM
5245	9A06693200	CAP,ELECT 100UF/16V	1	C 213	ANAM
5255	9A06693200	CAP,ELECT 100UF/16V	1	C 918	ANAM
5265	9A06693600	CAP,ELECT 47UF/25V	2	C 115 .116	ANAM
5275	9A06693600	CAP,ELECT 47UF/25V	2	C 119 .120	ANAM
5285	9A06693600	CAP,ELECT 47UF/25V	2	C 145 .146	ANAM
5295	9A06693600	CAP,ELECT 47UF/25V	1	C 209	ANAM
5305	9A06693600	CAP,ELECT 47UF/25V	1	C 214	ANAM
5315	9A06693600	CAP,ELECT 47UF/25V	2	C 509 .510	ANAM
5325	9A06693600	CAP,ELECT 47UF/25V	2	C 519 .520	ANAM
5335	9A06694100	CAP,ELECT 1.0UF/50V	2	C 515 .516	ANAM
5345	9A06694200	CAP,ELECT 2.2UF/50V	2	C 137 .138	ANAM
5355	9A06694200	CAP,ELECT 2.2UF/50V	2	C 139 .140	ANAM
5365	9A06694500	CAP,ELECT 4.7UF/50V	2	C 113 .114	ANAM
5375	9A06694500	CAP,ELECT 4.7UF/50V	2	C 201 .202	ANAM
5385	9A06694500	CAP,ELECT 4.7UF/50V	2	C 401 .402	ANAM
5395	9A06694500	CAP,ELECT 4.7UF/50V	2	C 419 .420	ANAM
5405	9A06694500	CAP,ELECT 4.7UF/50V	2	C 501 .502	ANAM
5415	9A06694600	CAP,ELECT 47UF/50V	2	C 517 .518	ANAM
5425	9A06694600	CAP,ELECT 47UF/50V	2	C 521 .522	ANAM
5435	9A06694600	CAP,ELECT 47UF/50V	2	C 527 .528	ANAM
5445	9A06695000	CAP,ELECT KCEA1VH221T	2	C 409 .410	ANAM
5455	9A06695000	CAP,ELECT KCEA1VH221T	2	C 411 .412	ANAM
5465	9A06695100	CAP,CERAMIC 100PF/50V K	2	C 121 .122	ANAM
5475	9A06695100	CAP,CERAMIC 100PF/50V K	2	C 123 .124	ANAM
5485	9A06695100	CAP,CERAMIC 100PF/50V K	2	C 125 .126	ANAM
5495	9A06695100	CAP,CERAMIC 100PF/50V K	2	C 127 .128	ANAM
5505	9A06695100	CAP,CERAMIC 100PF/50V K	2	C 129 .130	ANAM
5515	9A06695100	CAP,CERAMIC 100PF/50V K	2	C 131 .132	ANAM
5525	9A06695100	CAP,CERAMIC 100PF/50V K	2	C 133 .134	ANAM
5535	9A06695100	CAP,CERAMIC 100PF/50V K	2	C 135 .136	ANAM
5545	9A06695100	CAP,CERAMIC 100PF/50V K	2	C 537 .538	ANAM
5555	9A06695100	CAP,CERAMIC 100PF/50V K	2	C 539 .540	ANAM
5565	9A06695200	CAP,CERAMIC 0.01UF/50V Z	1	C 141	ANAM
5575	9A06695200	CAP,CERAMIC 0.01UF/50V Z	1	C 212	ANAM
5585	9A06695200	CAP,CERAMIC 0.01UF/50V Z	1	C 919	ANAM
5595	9A06695200	CAP,CERAMIC 0.01UF/50V Z	1	C 921	ANAM
5605	9A06695200	CAP,CERAMIC 0.01UF/50V Z	1	C 923	ANAM
5615	9A06695500	CAP,MYLAR 1000PF/50V J	2	C 107 .108	ANAM
5625	9A06695500	CAP,MYLAR 1000PF/50V J	2	C 417 .418	ANAM
5635	9A06695600	CAP,MYLAR 0.01UF/50V J	2	C 930 .931	ANAM
5645	9A06695600	CAP,MYLAR 0.01UF/50V J	2	C 932 .933	ANAM
5655	9A06695600	CAP,MYLAR 0.01UF/50V J	2	C 937 .938	ANAM
5665	9A06695900	CAP,MYLAR 0.022UF/50V J	2	C 111 .112	ANAM
5675	9A06695900	CAP,MYLAR 0.022UF/50V J	2	C 915 .916	ANAM
5685	9A06696000	CAP,MYLAR KCQ1H332JZ3	2	C 407 .408	ANAM
5695	9A06696200	CAP,MYLAR 0.047UF/50V J	2	C 415 .416	ANAM
5705	9A06696200	CAP,MYLAR 0.047UF/50V J	2	C 511 .512	ANAM
5715	9A06696200	CAP,MYLAR 0.047UF/50V J	2	C 935 .936	ANAM

5725	9A06696300	CAP,MYLAR 5600PF/50V J	2	C 109 .110	ANAM
5735	9A06762900	CAP,CERAMIC 180PF/50V K	1	C 147	ANAM
5745	9A06763000	CAP,CERAMIC 22000PF/50V	2	C 926 .927	ANAM
5755	9A06763400	CAP,CERAMIC 22PF/50V J	2	C 105 .106	ANAM
5765	9A06763400	CAP,CERAMIC 22PF/50V J	2	C 529 .530	ANAM
5775	9A06763400	CAP,CERAMIC 22PF/50V J	2	C 531 .532	ANAM
5785	9A06763500	CAP,CERAMIC 12PF/50V J	2	C 413 .414	ANAM
5795	9A06763500	CAP,CERAMIC 12PF/50V J	2	C 505 .506	ANAM
5805	9A06763600	CAP,CERAMIC 220PF/50V K	2	C 513 .514	ANAM
5815	9A06764000	R,CARBON 1/4W 33K	1	R 209	ANAM
5825	9A06764500	CE, 22UF N 25V DC	1	C 210	ANAM
5835	9A06764900	CAP,ELECT 100UF/35V	1	C 920	ANAM
5845	9A06764900	CAP,ELECT 100UF/35V	1	C 922	ANAM
5855	9A06764900	CAP,ELECT 100UF/35V	2	C 924 .925	ANAM
5865	9A06764900	CAP,ELECT 100UF/35V	2	C 928 .929	ANAM
5875	9A06766100	CAP,CERAMIC 10PF/50V D	2	C 525 .526	ANAM
5885	9A06766200	CAP,CERAMIC 0.047UF/50V Z	1	C 211	ANAM
5895	9A06766800	CAP,MYLAR 0.1UF/50V J	1	C 943	ANAM
5905	9A06863000	CAP,CERAMIC 150PF/50V K	2	C 103 .104	ANAM
5915	9A06874500	CAP,CERAMIC T1H561KB	2	C 405 .406	ANAM
5925	9A06874500	CAP,CERAMIC T1H561KB	2	C 541 .542	ANAM
5935	9A06874700	CAP,MYLAR 2200PF/50V J	2	C 907 .908	ANAM
5945	9A06874700	CAP,MYLAR 2200PF/50V J	2	C 913 .914	ANAM
5955	9A07306700	CAP , ELECT	2	C 533 .534	ANAM
5965	9A07306700	CAP , ELECT	2	C 535 .536	ANAM
5975	9A07310300	MAIN , PCB	1		ANAM
598	...4	9A07308000	TERMINAL , SPEAKER	1	SP02	ANAM
599	...4	9A07308200	WAFER	1	CN12	ANAM
600	...4	9A07308900	HEAT SINK ASS'Y	1		ANAM
6015	9A01535800	SCREW,KTB3+8J	2		ANAM
6025	9A05339100	SCREW KTW3+12J	4		ANAM
6035	9A05977200	TR.,2SD1585	2	Q 523 .524	ANAM
6045	9A05977700	TR.,2SA1386A	2	Q 535 .536	ANAM
6055	9A05987800	TR., 2SC3519A	2	Q 533 .534	ANAM
6065	9A06675400	THERMISTER	1	TW01	ANAM
6075	9A06679300	H/S COVER	1		ANAM
6085	9A06696600	FAN ASS'Y	1		ANAM
6096	9A05345200	SOLDER , WIRE	2		ANAM
6106	9A06675600	WIRE ASSY	1	JW42	ANAM
6116	9A06678800	FAN	1		ANAM
6126	9A06678900	FRAME FAN	1		ANAM
6136	9A06679000	MOTOR	1		ANAM
6146	9A06679300	H/S COVER	1		ANAM
6156	9A06699900	SCREW	2		ANAM
6165	9A07308800	HEAT SIMK	1		ANAM
617	...4	9A07309700	RES , METAL OXIDE FILM	2	R 551 .552	ANAM
618	...4	9A07309800	RES , METAL OXIDE FILM	2	R 549 .550	ANAM
619	...4	9A07309900	RES , FUSE 1AJ100H	1	R 913	ANAM
620	...4	9A07310700	I.C ASS'Y	1	IC91	ANAM
6215	9A01535800	SCREW,KTB3+8J	1		ANAM
6225	9A05333500	HEAT SINK 1A025	1		ANAM
6235	9A05895100	IC MC7815C	1		ANAM
6245	9A06066300	COMPOUND,SILICONE	1		ANAM
625	...4	9A07310900	WIRE ASS'Y	1	BN01	ANAM
626	...4	9A07311100	WIRE ASS'Y	1	BN05	ANAM
627	...4	9A07311700	WIRE ASS'Y	1	BN13	ANAM
628	...4	9A07312000	WIRE ASS'Y	1	JW20	ANAM
629	...4	9A07312600	WIRE ASS'Y	1	BN43	ANAM
630	..3	9A07310200	CHASSIS , BOTTOM	1		ANAM
631	1	9A07309200	BOX , OUT CARTON	1		ANAM
632	1	9A07309300	PAD , SNOW	1		ANAM
633	1	9A07309400	PAD , SNOW	1		ANAM
634	1	9A07309500	INSTRUCTION MANUAL ASS'Y	1		ANAM
635	•2	9A05917700	BAG,POLY 1061Y	1		ANAM

636	•2	9A06752300	STAPLE 0905	3		ANAM
637	•2	9A07125100	O/MNL, E/F/G/I/S A-R600	1		ANAM
638	•2	9A07305600	REMOCON XMTR ASSY(UR-592)	1		ANAM
639	••3	9A05918500	IC,UPD6126AG	1	IC81	ANAM
640	••3	9A07310500	REMOCON TRANSMITTER ASS'Y	1		ANAM
641	•••4	9A05990800	BAG,POLY 1A008Z	1		ANAM
642	•••4	9A05991000	REMOCON	1		ANAM
643	••••5	9A01533600	SCREW AG-55	1		ANAM
644	••••5	9A06018200	NAME,PLATE	1		ANAM
645	••••5	9A06018300	ORNAMENT,SHEET	1		ANAM
646	••••5	9A06018400	RUBBER,FUNCTION	1		ANAM
647	••••5	9A06018500	SPRING,COIL	1		ANAM
648	••••5	9A06018600	COVER,BATTERY	1		ANAM
649	••••5	9A06018700	CASE, TOP RECEIVER	1		ANAM
650	••••5	9A06018800	CASE,BOTTOM	1		ANAM
651	••••5	9A06018900	REMOCON PCB ASS'Y	1		ANAM
652	•••••6	9A01378300	R,CARBON 1/5W 100	1	R802	ANAM
653	•••••6	9A01379000	R,CARBON 1/5W 560	1	R801	ANAM
654	•••••6	9A01385800	CAP,CERAMIC 100PF/50V	2	C802, 803	ANAM
655	•••••6	9A01391900	LED (RED) SLC22VR	1	D802	ANAM
656	•••••6	9A01394800	RESONATOR,CERAMIC CSB455E	1	X801	ANAM
657	•••••6	9A01409800	R,CARBON 20TJ1R0T	1	R803	ANAM
658	•••••6	9A05323300	CAP,CERAMIC D1H103ZF	1	C804	ANAM
659	•••••6	9A05341200	SPRING (A) , BATTERY	1		ANAM
660	••~••6	9A05341300	SPRING (B) , BATTERY	1		ANAM
661	••~••6	9A05341400	LED , IR AF-HP51	1	D801	ANAM
662	••~••6	9A05341800	TR, KTC3203Y	1	Q801	ANAM
663	••~••6	9A05892500	CAP,ELECT 47UF/25V	1	C801	ANAM
664	••~••6	9A05918500	IC,UPD6126AG	1	IC81	ANAM
665	••~••6	9A06031400	SUPPORT,LED	1		ANAM
666	••~••6	9A06031500	PCB,REMOCON	1		ANAM
667	••~••6	9A06059900	SOLDER WIRE SN:PB=60:40	5		ANAM
668	1	9A05326600	CLAMPER,ARM	1		ANAM
669	1	9A05335600	LABEL,SERIAL NO	3		ANAM
670	1	9A05917600	BAG, POLY	1		ANAM
671	1	9A05983800	TAPE,OPP CLEAR 50M/M	1		ANAM
672	1	9A06318700	LOCKER	4		ANAM
673	1	9A06751300	STAPLE 6500	8		ANAM
674	1	9A06778400	P.P BAND	1		ANAM
675	1	9A07005300	TAPE,P.P	1		ANAM

OEM NO.
A-R600SET
KTB3+8JFZ
KTB4+12JFZ
KTB4+6F
KGWAR600
KTB3+10G
KTWS3+10G
KTB3+8J
KNE4060
KGL1A109
KMK1A019
KGX1A219C12
KBC1A095
KGB1A056H12
KMD1A363
KUS1A084
KBC1A114
KBC1A115
KBN1A079Z
KBN2A052Z
KBT1A603
KBT1A604
KBT1A605
KGL1A162
KGR2A154
KGW2A245ZH10
KGX1A216WA
KBN1A059
KGX1A216C2
KGX1A220WC2
KGX1A216YA
KBN1A104
KGX1A216C2
KGX1A220C2
KGX2A219C12
KOP11211B
KOX08000E160C
KVIMC4558S
KVIMC4558S
KVIMC4558S
KJP03GA01ZM
KJP03GA01ZM
KJP03GA01ZM
KJP04GA01ZM
KJP04GA09ZG
KJP06GA01ZM
KVIMC7805C
KSH2B003Z
KJJ4N010Z
KJP04GB03ZM
KJP03GB03ZM
BVILC4966
KSL1A007ZE
K2K4110
K2K50301
K2K31121
BSL4A008ZE
BSR2A006Z
KCEA1EH102E

KJP06GB46ZM
KJP02GA61ZP
K8E533
BCKWKC472MF
BRVPNA4612M00HB
BJJ2E020Z
BJJ2E020Z
BVV1U01W104Y
KSH1A001ZV
KJP02GA89ZM
BJJ7A006Z
BVV2X04B503Z
KWEP202110VV
KWEP215110VV
KWZAAV1100W801
BVV1U01B503Y
BVV9Y08B104Z
KIP11211B
KRD20TJ472T
KRD20TJ472T
KRD20TJ473T
KRD20TJ473T
KRD20TJ473T
KRD20TJ473T
KRD20TJ473T
KRD20TJ473T
KRD20TJ473T
KRD20TJ473T
KRD20TJ473T
KRD20TJ473T
KRD20TJ473T
KRD20TJ473T
KRD20TJ473T
KRD20TJ473T
KRD20TJ473T
KRD20TJ682T
KRD20TJ683T
KRD20TJ102T
KRD20TJ102T
KRD20TJ102T
KRD20TJ102T
KRD20TJ222T
KRD20TJ222T
KRD20TJ222T
KRD20TJ103T
KRD20TJ103T
KRD20TJ103T
KRD20TJ103T
KRD20TJ103T
KRD20TJ103T
KRD20TJ103T
KRD20TJ103T
KRD20TJ103T
KRD20TJ103T
KRD20TJ103T
KRD20TJ151T
KRD20TJ151T
KRD20TJ151T
KRD20TJ151T
KRD20TJ151T
KRD20TJ151T
KRD20TJ151T
KRD20TJ151T
KRD20TJ151T
KRD20TJ151T
KRD20TJ151T
KRD20TJ223T
KRD20TJ223T
KRD20TJ223T
KRD20TJ223T
KRD20TJ223T

KRD20TJ223T
KRD20TJ223T
KRD20TJ223T
KRD20TJ223T
KRD20TJ272T
KRD20TJ224T
KRD20TJ331T
KRD20TJ333T
KVD1N4148MT
KVD1N4148MT
KVD1N4148MT
KRD20TJ105T
KRD20TJ274T
KRD20TJ274T
KRD20TJ274T
KRD20TJ332T
KRD20TJ332T
KRD20TJ330T
KRD20TJ822T
KRD20TJ181T
KRD20TJ273T
KRD20TJ273T
KVTKSR2206T
KVTKSR2206T
KVTKSR2206T
KVTKSR2206T
KVTKSB811YT
KVTKSD1021YT
KVTKSD1021YT
KVTKSD1021YT
KVD1N4003SRT
KVD342VCF02T085
KVTKSR1206T
KVTKSR1206T
KVTKSR1206T
KVTKSR1206T
KVTKSR1206T
KVTKSR1206T
KVTKSR1206T
KVTKSR1206T
KVTKSR1206T
KVTKSR1206T
KVTKSR1206T
KVTKSR1206T
KVTKSR2204T
KVTKSR2204T
KCBS1E103ZFT
KCBS1E103ZFT
KCBS1E103ZFT
KCBS1E103ZFT
KCBS1E223ZFT
KCBS1E223ZFT
KCBS1E223ZFT
KCBS1E223ZFT
KCBS1E223ZFT
KCBS1E223ZFT
KCBS1E223ZFT
KCBS1E223ZFT
KCBS1E223ZFT
KCBS1E223ZFT
KCBS1E223ZFT
KCBS1H101KBT
KCBS1H102KBT
KCBS1H102KBT
KCBS1H181KBT
KCBS1H220JCT
KCBS1H473ZFT
KCBS1H473ZFT
KCBS1H473ZFT

KCBS1H473ZFT
KJCF5S
KVD342YCF02T085
KVD342YCF02T085
KVD342YCF02T085
KVD342YCF02T085
KVD342YCF02T085
KVTKTC3198YT
KCBS1C472MXT
KRD20TJ513T
KRD25FJ100T
KRD25TJ180T
BST1A014ZT
BST1A014ZT
KCCT1H180JC
KCEA1CH101T
KCEA1CH101T
KCEA1CH101T
KCEA1EH470T
KCEA1EH470T
KCEA1EH470T
KCEA1HH1R0T
KCEA1HH1R0T
KCEA1HH4R7T
KCEA1VH100T
KCEA1VH100T
KCEA1VH100T
KCEA1VH100T
KCEA1VH100T
KCEA1VH100T
KCEA1VH100T
KCEA1VH100T
KCEA1VH100T
KCEA1VH100T
KCKT1H103ZF
KCQI1H103JZT
KCQI1H152JZT
KCQI1H152JZT
KCQI1H473JZT
KCQI1H473JZT
KCQI1H683JZT
KCEA0JH102T
KCQI1H104JZT
KCEA1HHR22T
KCCT1H050CC
KCQI1H393JZT
K8E130D
KCBS1H222MXT
KUP11211Z
KVDSL325MCA47
KVDSL325MCA47
KVTKSR1212T
KJP03KA060ZY
KL5J030ZE
KMD1A387
KMD1A387
KSH2B017Z
KWZAM1100BN02
KWZAM1100BN06
KWZAM1100BN07
KWZAM1100BN09
KWZAM1100BN10
KWZAM1100BN12
KWZAM1100BN21
KWZAM1100JW18

KWZAR600BN03
KWZAR600BN04
KWZAR600BN11
KWZAR600BN41
KWZAR600BN42
KWZAR600BN44
KWZAR600BN93
KWZPRO450JW81
BVIANAM1275A
KKC1B085S1
KUAAR600
KHE170
KTB3+8JFZ
KTB3+10GFZ
KTB4+8F
KTB3+8J
KHR301
KTW3+12J
KTW3+8J
KKL1A042H11
KBA2C4000NRE
KMA2A001
KHG1A113
KTW3+16J
K2K31161
KHG1A050
KKL1A012
KQB1A173Z
KHR1A030
BJA2B033Z
KKF4A146XK1
KLT5V016ZE
KOP11094D
KVIMC4558S
KJP02GA01ZM
KJP02GA01ZM
KJP04GA01ZM
KJP04GA09ZG
KJP06GA01ZM
KJP07GA01ZM
KNE75
KRG1ANJ100H
KRG1ANJ100H
KJP11GA01ZM
KCKW2H103PE
KCKW2H103PE
KJP05GA01ZM
KLR9Y003Z
KRF5EKR22H
KRF5EKR22H
KRG2ANJ391H
KRD50FJ123T
KRD50FJ123T
KRD50FJ123T
KVDKBPC2504WFA
BVDKBPC2504WF
KMY1A022
KTB3+20J
KVIMC7805CZA
KTB3+8J
KMY1A025
KVIMC7805C
K8AYG6260
BVT2SC1841F

KVD1N4148MT
KVD1N4148MT
KVD1N4148MT
KVD1N4148MT
KVD1N4148MT
KVD1N4148MT
KVD1N4148MT
KVD1N4148MT
KVD1N4148MT
KVD1N4148MT
KVD1N4148MT
KVD1N4148T
KRD20TJ105T
KRD20TJ122T
KRD20TJ122T
KRD20TJ271T
KRD20TJ471T
KRD20TJ471T
KRD20TJ471T
KRD20TJ471T
KRD20TJ471T
KRD25TJ151T
KRD20TJ100T
KRD20TJ221T
KRD20TJ221T
KRD20TJ221T
KRD20TJ820T
KRD20TJ820T
KRD25TJ103T
KRD25TJ103T
KRD20TJ273T
KVTKSR2206T
KVTKSR2206T
KVTKSR2206T
KVTKSB811YT
KVD1N4003ST
KVD1N4003ST
KVD1N4003ST
KVD1N4003ST
KVTKSA916YT
KVTKSC2316YT
KVTKTC3203YT
KCBS1E103ZFT
KCBS1E103ZFT
KCBS1E103ZFT
KCBS1E223ZFT
KCBS1E223ZFT
KCBS1E223ZFT
KCBS1H391KBT
KVTKTC3198YT
KVTKTC3198YT
KVTKTC3198YT
KVTKTC3198YT
KVTKTC3198YT
KVTKTA1266YT
KVTKTC2878BT
KVTKTC2878BT
KVTKTC2878BT
KVTKTC2878BT
KRD25FJ101T
KRD25FJ101T
KRD25FJ101T
KVDUZ30BMT
KVDUZ6.2BMT
KVDUZ6.2BMT

KVDUZ6.2BMT
KRD25FJ100T
KRD25FJ100T
KRD20TJ911T
KRD25TJ560T
KRD25TJ560T
KVTKTA1268GRT
KVTKTA1268GRT
KVTKTC3200GRT
KVTKTK117YT
KVTKTK117YT
KCBS1H560JT
KCCT1H030CC
KCCT1H030CC
KCCT1H180JC
KCCT1H560JC
KCEA1CH101T
KCEA1CH101T
KCEA1EH470T
KCEA1EH470T
KCEA1EH470T
KCEA1EH470T
KCEA1EH470T
KCEA1EH470T
KCEA1EH470T
KCEA1EH470T
KCEA1EH470T
KCEA1HH1R0T
KCEA1HH2R2T
KCEA1HH2R2T
KCEA1HH4R7T
KCEA1HH4R7T
KCEA1HH4R7T
KCEA1HH4R7T
KCEA1HH4R7T
KCEA1HH4R7T
KCEA1HH470T
KCEA1HH470T
KCEA1HH470T
KCEA1VH221T
KCEA1VH221T
KCKT1H101KB
KCKT1H101KB
KCKT1H101KB
KCKT1H101KB
KCKT1H101KB
KCKT1H101KB
KCKT1H101KB
KCKT1H101KB
KCKT1H101KB
KCKT1H101KB
KCKT1H101KB
KCKT1H103ZF
KCKT1H103ZF
KCKT1H103ZF
KCKT1H103ZF
KCKT1H103ZF
KCQI1H102JZT
KCQI1H102JZT
KCQI1H103JZT
KCQI1H103JZT
KCQI1H103JZT
KCQI1H103JZT
KCQI1H223JZT
KCQI1H223JZT
KCQI1H332JZT
KCQI1H473JZT
KCQI1H473JZT
KCQI1H473JZT

KCQI1H562JZT
KCKT1H181KB
KCKT1H223ZF
KCCT1H220JC
KCCT1H220JC
KCCT1H220JC
KCCT1H120JC
KCCT1H120JC
KCKT1H221KB
KRD25TJ333T
KCEA1EN220T
KCEA1VH101T
KCEA1VH101T
KCEA1VH101T
KCEA1VH101T
KCCT1H100DC
KCKT1H473ZF
KCQI1H104JZT
KCKT1H151KB
KCKT1H561KB
KCKT1H561KB
KCQI1H222JZT
KCQI1H222JZT
KCEA2AU100T
KCEA2AU100T
KUP11094P
KJJ5P014Z
KJP06GA09ZG
KMY1A122ZA
KTB3+8J
KTW3+12J
BVT2SD1585L
BVT2SA1386A
BVT2SC3519A
KRTNTC5D103
KGP1A015
KDD1A013ZA
K2K33161
KWZAV7742
KDD1A013
KGP1A016
BDMMDN4RB4MRC
KGP1A015
KSN2+4
KMY1A122
KRG1ANJ471H
KRG1ANJ681H
KRQ1AJ100H
KVIMC7815CZA
KTB3+8J
KMY1A025
KVIMC7815C
K8AYG6260
KWZAM1100BN01
KWZAM1100BN05
KWZAM1100BN13
KWZAM1100JW20
KWZAR600BN43
KUA4A148
KPG1A550Z
KPS1A396
KPS1A397
KQXAR600
KPB1061Y

KPL0905
KQX1A484Z
KARTAR600
BVIANAM1151R
KUR038BXA
KPB1A008Z
KUR038X
KTS26+10GFZ
KGT1A058
KGX3A200X
KHG3A099X
KHZ1T203
KKK1A012K27
KKM1A039K27
KKU1A060K27
KOP10923B
KRD20TJ101T
KRD20TJ561T
KCKF1H101KB
KVDSL22VR
BSB455EB1
KRD20TJ1R0T
KCKD1H103ZF
KUW1A029
KUW1A030
KVDAFHP51
KVTKTC3203Y
KCEA1EH470B
BVIANAM1151R
KHG1A124
KUP10923Z
K2K31121
KHE154
KQT1A046
KPB1A013Z
K4FC500CL
KRE1A037
KPL6500
K4FC180
K4FC240CL

3 CH MAIN AMP,A-L700P

	LEVEL	PARTS NO.	DESCRIPTION	Q'TY
1	1	9A09574510	SET,3 CH MAIN AMPLIFIER	1
2	.2	9A09562500	SCREW	4
3	.2	9A09574610	FRONT PANEL ASSY T/C	1
4	.3	9A09331900	SCREW,CTB3+10G	4
5	.3	9A09598500	SCREW	9
6	.3	9A09606900	KNOB,POWER(PUSH)	1
7	.3	9A09607000	INDICATOR,POWER	1
8	.3	9A09607100	PANEL,SUB(MOLD)	1
9	.3	9A09610100	PANEL,FRONT(AL)	1
10	.2	9A09596300	LABEL , FUSE CAUTION	1
11	.2	9A09598400	SCREW	2
12	.2	9A09607700	CABINET , TOP	1
13	.2	9A09608610	BOTTOM CHASSIS ASS'Y T/C	1
14	.3	9A05327300	CLAMPER KHR301	4
15	.3	9A06229300	CUSHION,FOOT	4
16	.3	9A06754900	BUSHING,AC CORD	1
17	.3	9A07872600	POWER,CORD	1
18	.3	9A08885700	RUBBER	1
19	.3	9A09330500	SCREW,CTB3+10GFZ	4
20	.3	9A09330600	SCREW,CTB3+8J	3
21	.3	9A09330700	SCREW,CTB3+8JFZ	5
22	.3	9A09332900	SCREW,CTW3+6J	3
23	.3	9A09333000	SCREW,CTW3+8J	4
24	.3	9A09338300	SCREW	5
25	.3	9A09574710	SMPS PCB ASSY T/C	1
26	.3	9A09574810	AMP PCB ASSY	2
27	.4	9A05967900	WAFER MOLEX 5268-03A	1
28	.4	9A07050600	BEAD,CORE	2
29	.4	9A07050600	BEAD,CORE	4
30	.4	9A07884200	CAP,ELECT 1000/35V	1
31	.4	9A07889800	CONNECTOR MOLEX35237-0610	1
32	.4	9A07890000	CONNECTOR MOLEX35237-0710	2
33	.4	9A09058500	RELAY	1
34	.4	9A09330600	SCREW,CTB3+8J	2
35	.4	9A09559500	COIL,SPEAKER	4
36	.4	9A09559700	BRACKET , PCB	1
37	.4	9A09569900	RELAY	1
38	.4	9A09570600	IC,DIGITAL AMP.	1
39	.4	9A09571700	RES,METAL OXIDE FILM	1
40	.4	9A09574910	AMP PCB AUTO ASSY	1
41	.5	9A07882400	CAP,ELECT 100UF/16V	1
42	.5	9A07883500	CAP,ELECT 2.2UF/50V	2
43	.5	9A08218800	CAP,FILM 0.1UF 63V J	8
44	.5	9A08878200	DIODE 1SS133T-77	2
45	.5	9A08878200	DIODE 1SS133T-77	1
46	.5	9A08878300	TR,KRC107M	2
47	.5	9A08884100	TR,KRA107M	1
48	.5	9A08884100	TR,KRA107M	1
49	.5	9A09041400	TR,KRC111MT	1
50	.5	9A09561900	RES,CARBON 25TJ6R2T	4
51	.5	9A09570900	CAP,FILM(POLYESTER)	2
52	.5	9A09571600	RES,METAL FILM	2

535	9A09575010	AMP PCB SMD ASSY	1
546	9A09565400	CAP,CHIP 1UF TANTAL	2
556	9A09565500	CAP,CHIP P2A104KC	2
566	9A09565500	CAP,CHIP P2A104KC	2
576	9A09565500	CAP,CHIP P2A104KC	2
586	9A09565600	CAP,CHIP, 0.1UF ZF	2
596	9A09565600	CAP,CHIP, 0.1UF ZF	2
606	9A09565600	CAP,CHIP, 0.1UF ZF	5
616	9A09566200	CAP,CHIP S1H271JA	4
626	9A09566300	CAP,CHIP S1H331JA	2
636	9A09567700	RES,CHIP 10DJ103T	2
646	9A09567700	RES,CHIP 10DJ103T	2
656	9A09567900	RES,CHIP 10DJ113T	1
666	9A09568000	RES,CHIP 10DJ153T	4
676	9A09568300	RES,CHIP 10DJ222T	1
686	9A09568400	RES,CHIP 10DJ223T	1
696	9A09569100	RES,CHIP 10DJ474T	1
706	9A09569100	RES,CHIP 10DJ474T	3
716	9A09569600	RES,CHIP 10DJ822T	1
726	9A09570400	IC,GENERATOR	1
736	9A09608800	PCB , AMP	0,5
746	9A09609500	RES,CHIP 10DJ122T	4
756	9A09609600	RES,CHIP 10DJ203T	2
766	9A09609600	RES,CHIP 10DJ203T	2
775	9A09609800	RES,SEMI FIXED(5K OHM)	2
78	...4	9A09608200	PLATE , HEAT SINK	1
79	..3	9A09575110	MAIN PCB ASSY	1
80	...4	9A05338200	R,METAL OXIDE FILM 1W 390	2
81	...4	9A05356300	WAFER 04GA19ZM	2
82	...4	9A06675300	SWITCH SLIDE	1
83	...4	9A06861800	JACK,HEADPHONE	1
84	...4	9A07889700	WAFER MOLEX35336-0610	1
85	...4	9A07889700	WAFER MOLEX35336-0610	1
86	...4	9A07889900	WAFER MOLEX35336-0710	2
87	...4	9A07889900	WAFER MOLEX35336-0710	2
88	...4	9A08218600	IC,REGULATOR	1
89	...4	9A08219800	WAFER	1
90	...4	9A08219900	CONNECTOR	1
91	...4	9A09559700	BRACKET , PCB	3
92	...4	9A09563300	BLUE L.E.D	1
93	...4	9A09575210	MAIN PCB AUTO ASSY	1
945	9A07874800	RES,CARBON 10K OHM 1/5W	1
955	9A07874800	RES,CARBON 10K OHM 1/5W	2
965	9A07874800	RES,CARBON 10K OHM 1/5W	2
975	9A07875000	RES,CARBON 120 OHM 1/5W	1
985	9A07875200	RES,CARBON 12K OHM	1
995	9A07875900	RES,CARBON 22K OHM 1/5W	1
1005	9A07876200	RES,CARBON 2.7K OHM	1
1015	9A07876400	RES,CARBON 3.3K OHM 1/5W	1
1025	9A07876900	RES,CARBON 470 OHM 1/5W	2
1035	9A07876900	RES,CARBON 470 OHM 1/5W	1
1045	9A07877100	RES,CARBON 47K OHM 1/5W	2
1055	9A07877100	RES,CARBON 47K OHM 1/5W	1
1065	9A07877700	RES,CARBON 68K OHM 1/5W	1
1075	9A07883000	CAP,ELECT 47/25V	1
1085	9A07883500	CAP,ELECT 2.2UF/50V	3
1095	9A07885500	CAP,MYLAR 0.01UF/50V	7

1105	9A07885500	CAP,MYLAR 0.01UF/50V	2
1115	9A07894900	RES,CARBON CRD20TJ221T	1
1125	9A08878200	DIODE 1SS133T-77	4
1135	9A08878300	TR,KRC107M	6
1145	9A08878300	TR,KRC107M	3
1155	9A08884100	TR,KRA107M	1
1165	9A08953700	CAP,ELECT A1EH330T	1
1175	9A09336800	CAP,CERAMIC T1H151KB	3
1185	9A09344400	L.E.D , YELLOW	1
1195	9A09608900	PCB , MAIN	1
1204	9A09595100	TERMINAL,SP(R/B)	1
1214	9A09607300	JACK,BOARD (3P)	1
1224	9A09607400	TERMINAL,SP(RR/BB)	1
1234	9A09608000	PLATE,EARTH	1
1244	9A09609000	WIRE ASS'Y	1
1254	9A09609100	WIRE ASS'Y	1
1264	9A09609200	WIRE ASS'Y	1
1274	9A09609300	WIRE ASS'Y	1
1284	9A09609700	SW,PUSH (MOMS)	1
1294	9A09609900	VR,VOL	3
130	..3	9A09607200	CUSHION	2
131	..3	9A09607810	REAR PANEL T/C	1
132	..3	9A09607900	FERRITE,RING	1
133	..3	9A09608100	INSULATOR,SMPS	1
134	..3	9A09608700	CHASSIS , BOTTOM	1
135	..3	9A09609400	FOOT	4
136	1	9A09575310	OUT CARTON BOX	1
137	1	9A09575410	INSTRUCTION MNL ASSY T/C	1
138	.2	9A06752300	STAPLE 0905	3
139	.2	9A08125700	BAG,POLY	1
140	.2	9A09478700	OWN MNL,EFSGIN A-L700P	1
141	.2	9A09607500	CORD,PIN	1
142	.2	9A09607600	CORD,PIN	1
143	.2	9A09610000	CORD(STEREO) MINI	1
144	1	9A09608300	PAD,SNOW(L)	1
145	1	9A09608400	PAD,SNOW(R)	1
146	1	9A05326600	CLAMPER,ARM	1
147	1	9A05335600	LABEL,SERIAL NO	2
148	1	9A05983800	TAPE,OPP CLEAR 50M/M	1
149	1	9A06751300	STAPLE 6500	8
150	1	9A07005300	TAPE,P.P	1
151	1	9A07052700	RIBON,BAR CODE	1
152	1	9A07874100	BAG,POLY(SET) H-100	1
153	1	9A09561300	LABEL,BAR CODE	2

REF NO.	MFR.	OEM NO.
	ANAM	A-L700PT/CCCSET
	ANAM	CTVD3+8JFZ
	ANAM	CGWAL700PT/CCC
	ANAM	CTB3+10G
	ANAM	CTS3+10J
	ANAM	CBC1A140M7K101
	ANAM	CGL1A202
	ANAM	CGW1A344R6K101
	ANAM	KKM1A125ZC35
	ANAM	CQB1A173Z
	ANAM	CTB4+6FFC
	ANAM	CKC1B131S35
	ANAM	CUAAL700PT/CCC
	ANAM	KHR301
	ANAM	KHG1A039Z
	ANAM	KHR1A028
	ANAM	CJA523FBY
	ANAM	CHG1A113
	ANAM	CTB3+10GFZ
	ANAM	CTB3+8J
	ANAM	CTB3+8JFZ
	ANAM	CTW3+6J
	ANAM	CTW3+8J
	ANAM	CTB3+6J
	ANAM	COPDDS140B
	ANAM	COP11528B
CN84	ANAM	KJP03GB03ZM
BD81, BD82	ANAM	KLZ9H001Z
BD84- BD87	ANAM	KLZ9H001Z
C806	ANAM	HCEA1VH102E
WF83	ANAM	KJP06GB99ZM
WF81, WF82	ANAM	KJP07GB99ZM
RY82	ANAM	HSL4A010ZU
	ANAM	CTB3+8J
L308- L311	ANAM	CLZ9Z011Z
BK81	ANAM	CMD1A387
RY81	ANAM	HSL1A008ZE
IC82	ANAM	HVITP2050
R828	ANAM	KRG2ANJ102H
	ANAM	CIP11528B
C803	ANAM	HCEA1CH101T
C808, C809	ANAM	HCEA1HH2R2T
C830- C837	ANAM	KCFE1J104JBT
D801, D802	ANAM	HVD1SS133MT
D804	ANAM	HVD1SS133MT
Q802, Q803	ANAM	HVTKRC107MT
Q801	ANAM	HVTKRA107MT
Q805	ANAM	HVTKRA107MT
Q804	ANAM	HVTKRC111MT
R824- R827	ANAM	CRD25TJ6R2T
C838, C839	ANAM	KCFE1J474JBT
R822, R823	ANAM	KRG14F2R01T

	ANAM	CIP11528BSMD
C824, C825	ANAM	HCSGA1V1R0B
C804, C805	ANAM	HCUP2A104KC
C821, C822	ANAM	HCUP2A104KC
C826, C827	ANAM	HCUP2A104KC
C801, C802	ANAM	HCUS1E104ZF
C810, C811	ANAM	HCUS1E104ZF
C816- C820	ANAM	HCUS1E104ZF
C812- C815	ANAM	HCUS1H271JA
C828, C829	ANAM	HCUS1H331JA
R820, R821	ANAM	HRJ10DJ103T
R830, R831	ANAM	HRJ10DJ103T
R809	ANAM	HRJ10DJ113T
R816- R819	ANAM	HRJ10DJ153T
R811	ANAM	HRJ10DJ222T
R810	ANAM	HRJ10DJ223T
R800	ANAM	HRJ10DJ474T
R803- R805	ANAM	HRJ10DJ474T
R808	ANAM	HRJ10DJ822T
IC81	ANAM	HVITC2000
	ANAM	CUP11528Z
R812- R815	ANAM	HRJ10DJ122T
R801, R802	ANAM	HRJ10DJ203T
R806, R807	ANAM	HRJ10DJ203T
VR80, VR81	ANAM	HVN1RA502B01T
	ANAM	CMY1A200
	ANAM	COP11539B
R208, R215	ANAM	KRG1ANJ391H
CN91, CN92	ANAM	KJP04GA19ZM
S101	ANAM	KSS2B016Z
JK31	ANAM	BJJ2E021Z
CN81	ANAM	KJP06GA98ZM
CN84	ANAM	KJP06GA98ZM
CN82, CN83	ANAM	KJP07GA98ZM
CN85, CN86	ANAM	KJP07GA98ZM
IC21	ANAM	HVIMC7805C
CN87	ANAM	KJP11GA98ZM
WF87	ANAM	KJP11GB99ZM
BK11- BK13	ANAM	CMD1A387
D902	ANAM	CVDLEBBL33T0
	ANAM	CIP11539B
R207	ANAM	CRD20TJ103T
R209, R210	ANAM	CRD20TJ103T
R214, R901	ANAM	CRD20TJ103T
R903	ANAM	CRD20TJ121T
R212	ANAM	CRD20TJ123T
R213	ANAM	CRD20TJ223T
R101	ANAM	CRD20TJ272T
R102	ANAM	CRD20TJ332T
R201, R202	ANAM	CRD20TJ471T
R205	ANAM	CRD20TJ471T
R203, R204	ANAM	CRD20TJ473T
R206	ANAM	CRD20TJ473T
R211	ANAM	CRD20TJ683T
C204	ANAM	HCEA1EH470T
C100- C102	ANAM	HCEA1HH2R2T
C880- C886	ANAM	HCQI1H103JZT

C888, C890	ANAM	HCQI1H103JZT
R902	ANAM	CRD20TJ221T
D201- D204	ANAM	HVD1SS133MT
Q202- Q207	ANAM	HVTKRC107MT
Q901- Q903	ANAM	HVTKRC107MT
Q201	ANAM	HVTKRA107MT
C205	ANAM	HCEA1EH330T
C201- C203	ANAM	CCKT1H151KB
D901	ANAM	HVD342YCTB7T089
	ANAM	CUP11539Z
JK34	ANAM	CJJ5N005Z
JK32	ANAM	CJJ4S026Z
JK33	ANAM	CJJ5P015Z
	ANAM	CMC1A111
BN92	ANAM	CWB1B904080EN
BN91	ANAM	CWB1B904200EN
BN88	ANAM	CWB1E907170BM
BN10	ANAM	CWB4D232380PU
S100	ANAM	HSH1A008ZV
VR11- VR13	ANAM	HVV1J06B104Z
	ANAM	CHG1A218
	ANAM	CKF1A243X
	ANAM	CLZ9W003Z
	ANAM	CMX1A136
	ANAM	CUA1A216
	ANAM	HKL1A074Z
	ANAM	CPG1A689Y
	ANAM	CQXAL700PT/CCC
	ANAM	KPL0905
	ANAM	CPB1061Y
	ANAM	CQX1A807Z
	ANAM	CJS4M027Z
	ANAM	CJS4N014Z
	ANAM	KJS9D001Z
	ANAM	CPS1A579
	ANAM	CPS1A580
	ANAM	KHE154
	ANAM	KQT1A046
	ANAM	K4FC500CL
	ANAM	KPL6500
	ANAM	K4FC240CL
	ANAM	KQS1A001
	ANAM	CPP1A082Z
	ANAM	CQT1A144