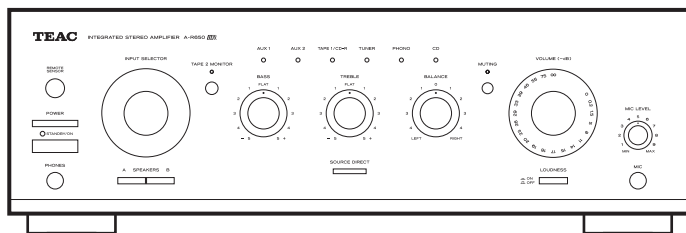


TEAC



SERVICE MANUAL

A-R630/A-R650

INTEGRATED STEREO AMPLIFIER

CONTENTS

1. SPECIFICATIONS	2
2. BRIEF OVERVIEW OF LSI	3
3. EXPLODED VIEWS AND PARTS LISTS	5
4. PC BOARDS	8
5. INCLUDED ACCESSORIES	15

NOTES

- PC boards shown are viewed from parts side.
- The parts with no reference number or no parts number in the exploded views are not supplied.
- As regards the resistors and capacitors, refer to the circuit diagrams supplied prior to this manual.
- ⚠ Parts marked with this sign are safety critical components. They must be replaced with designated components.
- Destination of product is expressed by [] mark and ensure exact replacement:
[EUR]: EUROPE; [JPN]: JAPAN; [UK]: U.K

1. SPECIFICATIONS

A-R630

Amplifier Section

Continuous Power Output
90W RMS (1 kHz, 4 ohms, 0.5%)
60W (1 kHz, 8 ohms, 0.5%)

Total Harmonic Distortion
0.02% (1 kHz, 8 ohms, 45W)

Input Sensitivity/Impedance
PHONO: 2.8 mV/47 kohms
LINE: 180 mV/47 kohms

Frequency Response
PHONO: 20 to 20,000 Hz, ± 1 dB (RIAA)
LINE*: 5 to 80,000 Hz, (SOURCE DIRECT, 1 W)

Tone Control BASS: ± 10 dB at 100 Hz
TREBLE: ± 10 dB at 10 kHz

Muting -20 dB

General

Power Requirements 230 V AC, 50 Hz [EUR], [UK]
100 V AC, 50-60 Hz [JPN]

Power Consumption 200 W

Standby 0.5 W

Dimensions (W x H x D) 435 x 142 x 355 mm

Weight (net) 8.1 kg

Standard Accessories

Remote Control Unit (UR-431) x 1
Battery (AAA, R03, UM-4) x 2
Owner's Manual x 1
Warranty Card x 1

*: LINE means TUNER, CD, AUX1, AUX2, TAPE1/CD-R,
TAPE2.

A-R650

Amplifier Section

Continuous Power Output
120 W+120 W RMS (1 kHz, 4 ohms, 0.5%)
90 W+90 W (1 kHz, 8 ohms, 0.5%)

Total Harmonic Distortion 0.02% (1 kHz, 8 ohms, 45W)

Input Sensitivity/Impedance PHONO: 2.8 mV/47 kohms
LINE: 180 mV/47 kohms

Signal-to-Noise Ratio (IHF-A) PHONO: 65 dB
LINE*: 90 dB

Frequency Response
PHONO: 20 to 20,000 Hz, ± 1 dB (RIAA)
LINE*: 5 to 80,000 Hz, (SOURCE DIRECT, 1 W)

Tone Control BASS: ± 10 dB at 100 Hz
TREBLE: ± 10 dB at 10 kHz

Muting -20 dB

General

Power Requirements 230 V AC, 50 Hz [EUR], [UK]
100 V AC, 50-60 Hz [JPN]

Power Consumption 300 W

Standby 0.5 W

Dimensions (W x H x D) 435 x 142 x 355 mm

Weight (net) 9.2 kg

Standard Accessories

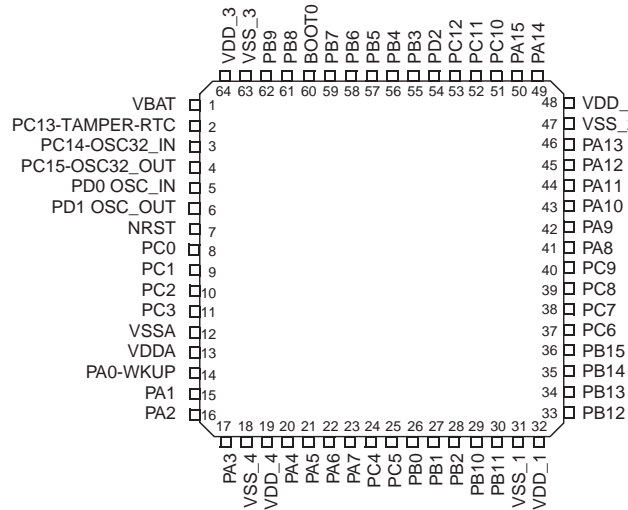
Remote Control Unit (UR-431) x 1
Battery (AAA, R03, UM-4) x 2
Owner's Manual x 1
Warranty Card x 1
AC Power Cord x 1

*: LINE means TUNER, CD, AUX1, AUX2, TAPE1/CD-R,
TAPE2.

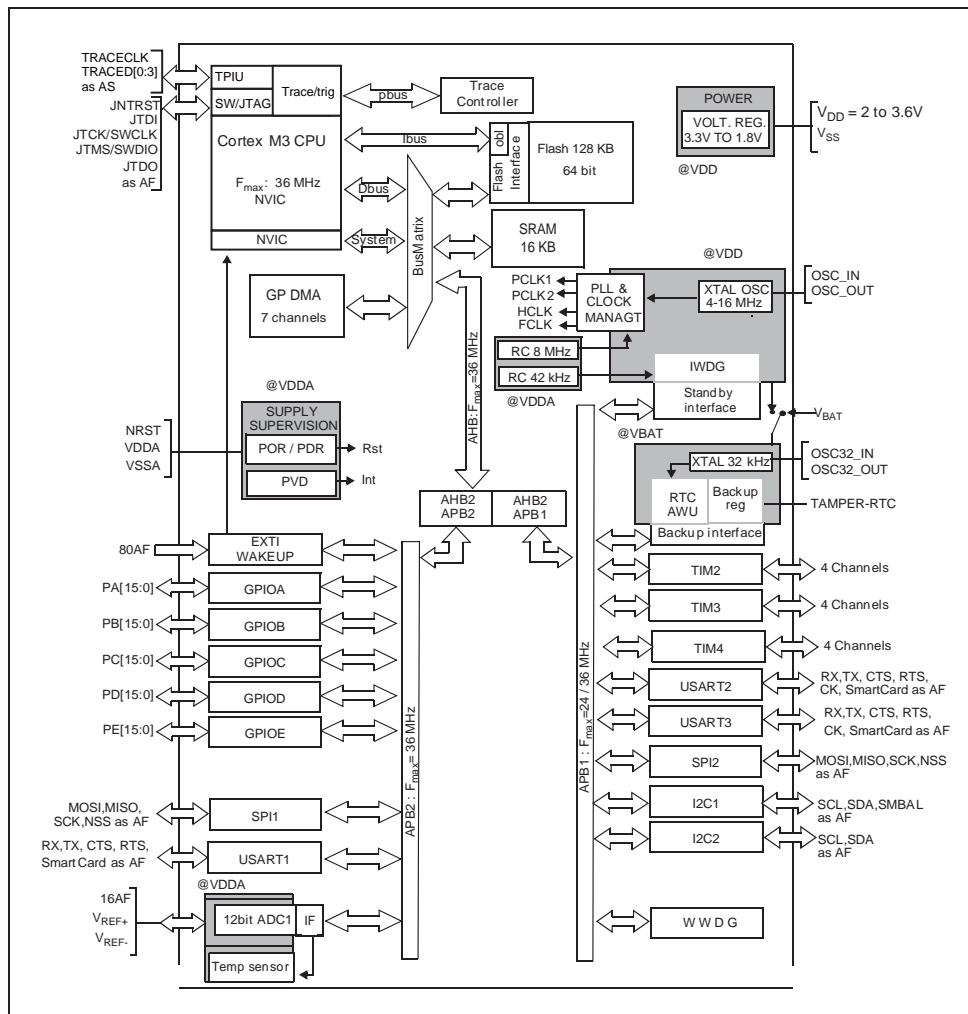
2. BRIEF OVERVIEW OF LSI

Access line, advanced ARM-based 32-bit MCU with Flash memory, six 16-bit timers, ADC and seven communication interfaces
STM32F101R8T6, FRONT PCBA IC21

Pin Configuration (Top View)



Block Diagram



Pin Definitions

Pins	Pin name	Type	Signal name
1	VBAT	S	VBAT
2	PC13-TAMPER-RTC	I/O	TUNER UTE
3	PC14-OSC32_IN	I/O	-20DB MUTE
4	PC15-OSC32_OUT	I/O	PWR MUTE
5	OSC_IN	I	OSC IN
6	OSC_OUT	O	OSC OUT
7	NRST	I/O	RESET
8	PC0	I/O	KEY IN
9	PC1	I/O	VOL DN
10	PC1	I/O	VOL UP
11	PC3	I/O	SOURCE DIR
12	VSSA	S	GND
13	VDDA	S	VDDA
14	PA0-WKUP	I/O	FUNC MUTE
15	PA1	I/O	TP
16	PA2	I/O	IPOD RX
17	PA3	I/O	IPOD TX
18	VSS_4	S	GND
19	VDD_4	S	VDD
20	PA4	I/O	CP CS3
21	PA5	I/O	CP_CLK
22	PA6	I/O	CP_DO
23	PA7	I/O	CP_DI
24	PC4	I/O	CP_RESET
25	PC5	I/O	PROTECT IN
26	PB0	I/O	MUTING
27	PB1	I/O	REMOTE IN
28	PB2/BOOT1	I/O	BOOT1
29	PB10	I/O	FUNC DN
30	PB11	I/O	FUNC UP
31	VSS_1	S	GND
32	VDD_1	S	VDD

Pins	Pin name	Type	Signal name
33	PB12	I/O	FUNC_STB
34	PB13	I/O	FUNC_CLK
35	PB14	I/O	TAPE_MUTE
36	PB15	I/O	FUNC_DATA
37	PC6	I/O	DC
38	PC7	I/O	PHONO
39	PC8	I/O	TAPE
40	PC9	I/O	AUX1
41	PA8	I/O	MONITOR
42	PA9	I/O	UPDATE TX
43	PA10	I/O	UPDATE RX
44	PA11	I/O	NC
45	PA12	I/O	IPOD
46	PA13/JTMS/SWDIO	I/O	JTAG TMS
47	VSS_2	S	GND
48	VDD_2	S	VDD
49	PA14/JTCK/SWCLK	I/O	JTAG TCK
50	PA15/JTDI	I/O	JTAG TDI
51	PC10	I/O	STBY LED
52	PC11	I/O	TUNER
53	PC12	I/O	POWER DETECT
54	PD2	I/O	POWER ON
55	PB3/JTDO	I/O	JTAG TDO
56	PB4/JNTRST	I/O	JTAG TRST
57	PB5	I/O	SIGNAL DETECT
58	PB6	I/O	BUS IN
59	PB7	I/O	BUS OUT
60	BOOT0	I	BOOT0
61	PB8	I/O	IPOD DETECT
62	PB9	I/O	NC
63	VSS_3	S	GND
64	VDD_3	S	VDD

A-R630 & A-R650

EXPLODED VIEW

REF. NO.	PARTS NO.	DESCRIPTION	REMARKS
1	CGW4A245VB38	PANEL, FRONT	
2	CBN2A052Y	KNOB, ROTARY	
	CBN2A052G5	KNOB, ROTARY Silver [JPN]	
3	KGX1A216YA	VOLUME CAP ASSY (A)	
	KGX1A216UA	VOLUME CAP ASSY (A) Silver [JPN]	
4	CGB1A165H8	BADGE, TEAC	
	CGB1A229H8	BADGE, TEAC Silver [JPN]	
5	KGX1A216VA	VOLUME CAP ASSY (A)	
	KGX1A216SA	VOLUME CAP ASSY (A) Silver [JPN]	
6	CBN1A079YK66	KNOB, ROTARY	
	CBN1A079G5	KNOB, ROTARY Silver [JPN]	
7	CGL1A109	INDICATOR, FUNCTION	
8	CBT1A604	KNOB, POWER	
	CBT1A604G5	KNOB, POWER Silver [JPN]	
9	CBT1A603	KNOB, TACT	
	CBT1A603G5	KNOB, TACT Silver [JPN]	
10	CGR2A154	ORNAMENT, REMOTE	
11	CGL1A162	INDICATOR, FUNCTION	
12	CBC1A095	KNOB, LOUDNESS	
	CBC1A095G5	KNOB, LOUDNESS Silver [JPN]	
13	CMD1A363	BRACKET, POWER	
14	CBC1A114	KNOB, SPEAKER	
	CBC1A114G5	KNOB, SPEAKER Silver [JPN]	
15	CBT1A605	KNOB, DIRECT	
	CBT1A605G5	KNOB, DIRECT Silver [JPN]	
16	CBC1A115	KNOB, LOUDNESS (PUSH)	
	CBC1A115G5	KNOB, LOUDNESS (PUSH) Silver [JPN]	
17	KGX1A219C58	HOUSING, VOLUME	
18	CMD1A355	BRACKET, TOP	
19	CMK1A019	BRACKET, VOLUME	
20	KMA2A001	TERMINAL, GROUND	
21	COP12283B	A-R650 PREAMP PCB ASSY	
	COP12283C	A-R630EUR/UK PREAMP PCB ASSY	
	COP12283D	A-R630JPN PREAMP PCB ASSY	
22		POWER SW PCB ASSY	United on FRONT PCBA, see page 11
23	COP12281B	FRONT PCB ASSY A-R650 [EUR], [UK]	
	COP12281C	FRONT PCB ASSY A-R630 [EUR], [UK]	
	COP12346B	FRONT PCB ASSY A-R630S [JPN]	
24	CKC3A085B25	CABINET, TOP [EUR], [UK]	
	CKC3A085G51	CABINET, TOP A-630S [JPN]	
25	CMD1A490	BRACKET, HEATSINK	
26	CJJ8A006ZW	RECEPTACLE, AC 15 A/250 V	A-R650 only
27	CKF1A424Z	PANEL, REAR A-R650 [EUR], [UK]	
	CKF3A424Z	PANEL, REAR A-R630 [EUR], [UK]	
	CKF4A424Z	PANEL, REAR A-R630S [JPN]	
28	CGP2A015	COVER, HEATSINK	
29	COP12281B	SPEAKER PCB ASSY	United on FRONT PCBA, see page 11
30		REMOTE PCB ASSY	United on PREAM PCBA, see page 12
31	CMY1A358	HEATSINK	
32	COP12282B	MAIN PCB ASSY A-R650 [EUR], [UK]	
	COP12282C	MAIN PCB ASSY A-R630 [EUR], [UK]	
	COP12282D	MAIN PCB ASSY A-R630S [JPN]	
33	CDMCCM05045R18	MOTOR	

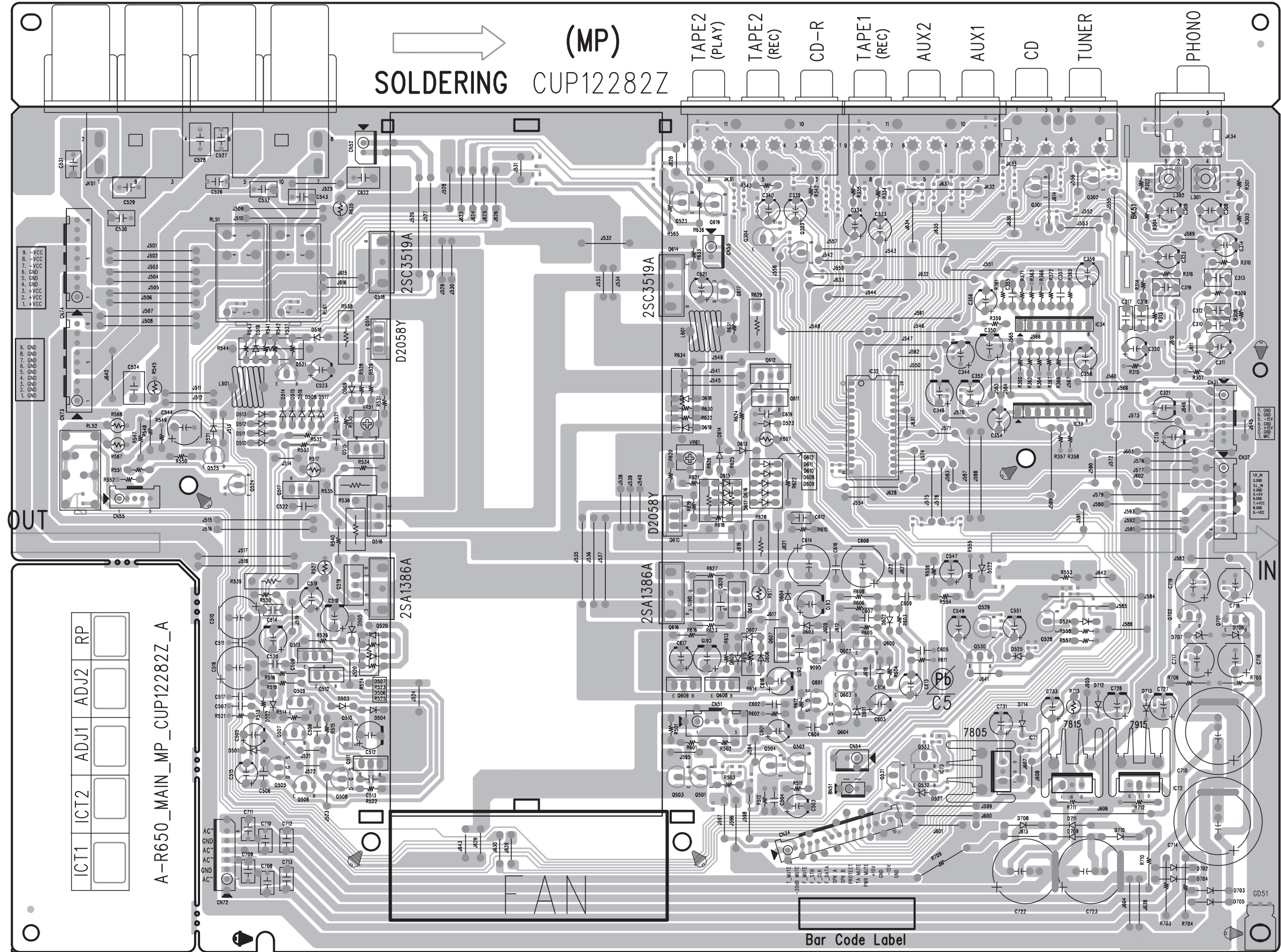
A-R630 & A-R650

EXPLODED VIEW

REF. NO.	PARTS NO.	DESCRIPTION	REMARKS
34	CGP3A016	FAN FRAME	
35	CDD1A013	FAN	
36	CLT5U044ZE	TRANS, POWER A-R630 [EUR], [UK]	
	CLT5U044ZJ	TRANS, POWER A-R630S [JPN]	
	CLT5V056ZE	TRANS, POWER A-R650 [EUR], [UK]	
37	CUA5A148	BOTTOM CHASSIS	
38	CKL2A042H11	FOOT, FRONT	
39	KHG1A050	FOOT CUSHION	
40	CKL1A012	FOOT, RUBBER (BLACK)	
41	CHE170	PCB HOLDER	
42	KGX2A219C58	HOUSING, VOLUME	
43		H/P PCB ASSY	United on FRONT PCBA, see page 11
44		LOUDNESS PCB ASSY	United on FRONT PCBA, see page 11
45		MIC PCB ASSY	United on FRONT PCBA, see page 11
46		SUB TRANS PCB ASSY	United on FRONT PCBA, see page 11
47	KHR1A028	BUSHING, AC CORD	A-R630 only
48	CJA2B043ZA	CORD, POWER [EUR], [UK]	A-R630 only
	CJA2J049YA	CORD, POWER [JPN]	A-R630 only
S1	CTB4+6FFZR	SCREW Black	
	CTB4+6FFC	SCREW Silver	
S2	CTB3+10GR	SCREW	
S3	CTB3+8JR	SCREW	
S4	CTB4+6FFZR	SCREW Black	
	CTB4+6FFC	SCREW Silver	
S5	CTWS3+10GR	SCREW	
S6	CTB3+8JFZR	SCREW Black	
	CTB3+8JFC	SCREW Silver	
-			
S10	CTB3+10GFZR	SCREW	
S11	CTB4+8FR	SCREW	
S12	CSN2+4R	SCREW	
S13	CTW3+16JR	SCREW	
S14	CTW3+8JR	SCREW	

4. PC BOARDS AND PARTS LISTS

MAIN PCB



A-R630 & A-R650

MAIN PCB ASSY

REF. NO.	PARTS NO.	DESCRIPTION	REMARKS
	COP12282B	MAIN PCB ASSY A-R650	
	COP12282C	MAIN PCB ASSY A-R630 [EUR], [UK]	
	COP12282D	MAIN PCB ASSY A-R630S [JPN]	
	└CUP12282Z	PCB,MAIN A-R650 (330X247, FR1/1)	
BK51	CMD1A576	SHIELD, PLATE	
BN51	KRTNTC5D103	THERMISTER, NTC5D103	
C344,346,350,352	CCEA1EH101T	CAP, ELECT 100 UF/25 V	
C726,727			
C714,715	CCEA1HH222ES	CAP, ELECT 2200 UF/50 V	
C718,719	CCEA1HH101T	CAP, ELECT 100 UF/50 V	
C722,723	CCEA1VH102E	CAP, ELECT 1000 UF/35 V	
C731	CCEA1CH101T	CAP, ELECT 100 UF/16 V	
CN31	CJP07GI236ZW	WAFER, 7 P LOCKING TYPE STRAIGHT 2 MM	
CN32	CJP09GI236ZW	WAFER, 9 P LOCKING TYPE STRAIGHT 2 MM	
CN34	CJP15GI236ZW	WAFER, 15 P LOCKING TYPE STRAIGHT 2 MM	
CN51	CJP05GI237ZW	WAFER, 5 P LOCKING TYPE STRAIGHT 2.5 MM	
CN52~54	CJP02GA01ZY	WAFER, 2 P STRAIGHT	
CN55	CJP05GI236ZW	WAFER, 5 P LOCKING TYPE STRAIGHT 2 MM	
CN72	CJP06GA01ZY	WAFER, 6 P	
CN73,74	CJP09GI237ZW	WAFER, 9 P LOCKING TYPE STRAIGHT 2.5MM	
D302,304,305,307	CVDPG05GBUSCRTPK	DIODE, ESD PROTECTION PG05GBUSC	
D501,601	CVDZJ6.2BT	DIODE, ZENER ZJ6.2B 1/2 W 6.2V	
D502~504,506~519	CVD1SS133MT	DIODE, SWITCHING 1SS133	
D521,523~525			
D602~604,606~617			
D505,522,605	CVDZJ6.2BT	DIODE, ZENER ZJ6.2B 1/2W 6.2V	
D520,528,620	CVD1SS355T	DIODE, SWITCHING 1SS355	
D527	CVDZJ13BT	DIODE, ZENER ZJ13B 1/2 W 13V	
D702~705,708~711	CVD1N4003ST	DIODE, RECT 1N4003	
D706,707	CVDZJ30BT	DIODE, ZENER ZJ30B 1/2 W 30V	
D712~714	CVD11EQS10GT	DIODE, SCHOTTKY 11EQS10 (100 V/1 A)	
GD51	HJT1A025	PALTE, EARTH	
IC31	HVINJM2068MDTE1	I.C, OP AMP NJM2068MD	
IC32	HVINJU7312L	I.C, NJU7312AL	
IC33,34	HVINJM4556AL	I.C, HEADPHONE NJM4556AL	
IC71	CVKIA7815APIVA	HEATSINK ASSY (CMY1A043)	
	└CVKIA7815APIUPF	I.C, REGULATOR KIA7815API +15V	
	CMY1A043	HEATSINK, TRANSISTOR	
	CTB3+8JR	SCREW	
IC72	CVKIA7915PIVA	HEATSINK ASSY (CMY1A043)	
	└CVKIA7915PI	I.C, REGULATOR KIA7815API -15V	
	CMY1A043	HEATSINK, TRANSISTOR	
	CTB3+8JR	SCREW	
IC73	HVIKIA7805API	I.C, REGULATOR 7805API +5V	
JK31,32	CJJ4R020W	JACK, BOARD	
JK33	CJJ4P058Z	JACK, IN/OUT	
JK34	CJJ4N060Z	JACK, BOARD 2P (GOLD)	
JK51	CJJ5Q006Z	TERMINAL, SPEAKER	
L301,302	CLU9S006Z	COIL, TOROIDAL	
L501,601	CLEY0R5KAK	COIL, SPEAKER 0.5 UH	
Q301~304,501~504	HVTKTC2874BT	T.R, MUTE KTC2874B	
Q505,508,601,604	HVT2SK117-BL	F.E.T, 2SK117-BL	
Q506,507,602,603	HVTKTC3200GRT	T.R, KTC3200GR	

A-R630 & A-R650

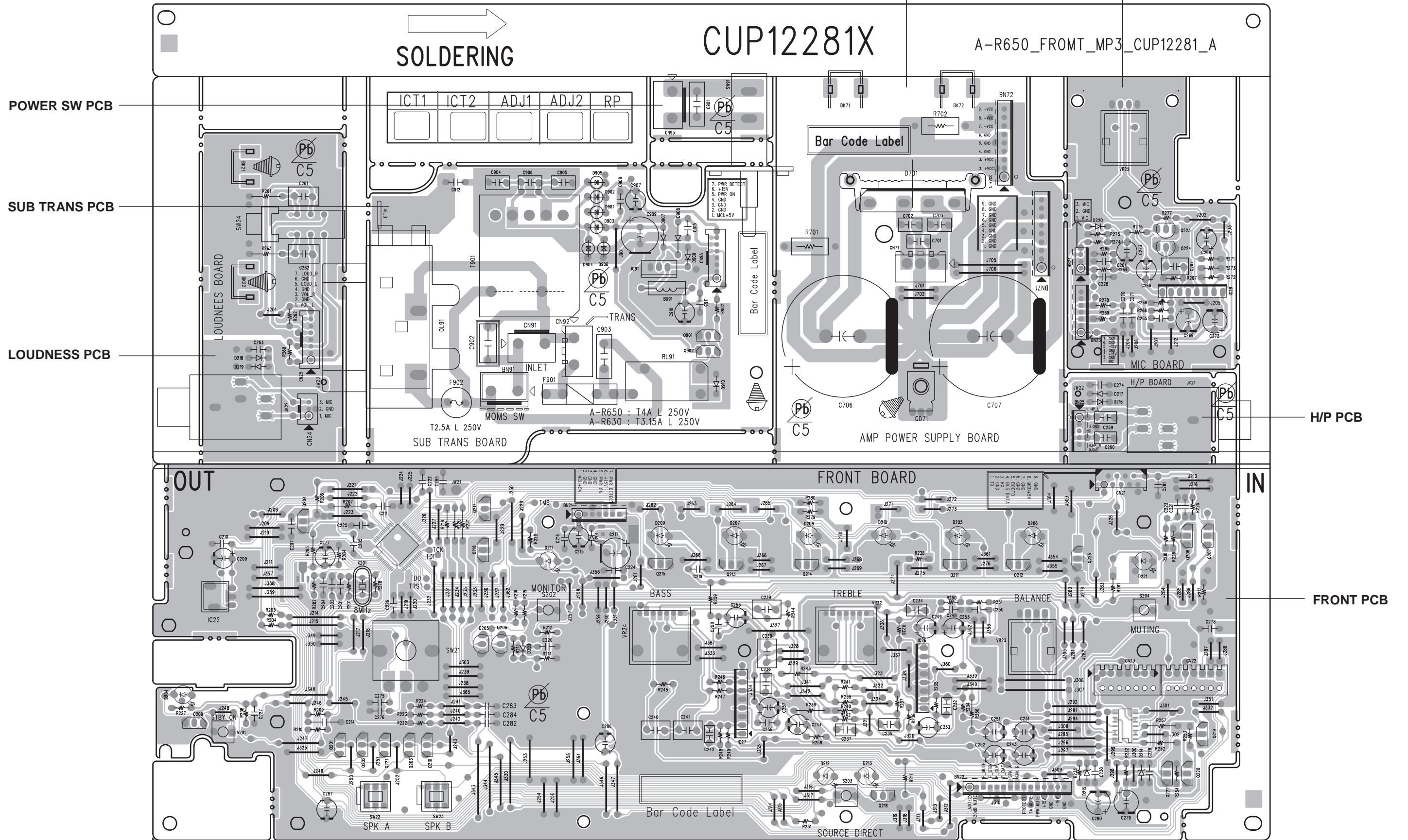
MAIN PCB ASSY

REF. NO.	PARTS NO.	DESCRIPTION	REMARKS
Q509,510,531,605 Q606	HVTKTA1267YT	T.R, KTA1267Y	
Q511,607	HVT2SA1209S	T.R, 2SA1209S	
Q512,513,608,609	HVT2SC2911S	T.R, 2SC2911S	
Q514.610	HVTKTD2058Y	T.R, KTD2058Y	
Q515,611	HVT2SC3423O	T.R, 2SC3423O	
Q516,612	HVTKTD2061Y	T.R, DRIVE KTD2061Y	
Q517,613	HVT2SA1360O	T.R, 2SA1360O	
Q519,615	HVTKTB1369Y	T.R, DRIVE KTB1369Y	
Q521,524,525,528	HVTKTC3198YT	T.R, KTC3198Y	
Q522,526,527,618	HVTKRA107S	T.R, KRA107S	
Q523,619	HVTKTC3203YT	T.R, KTC3203Y	
Q529,617	HVTKTC3198YT	T.R, KTC3198Y	
Q530	CVTKTA1272YT	T.R, KTA1272Y	
Q532,533	HVTKTC3199YT	T.R, KTC3199Y	
Q701	CVTKTC1027YT	T.R, KTC1027Y	
Q702	HVTKSA916YT	T.R, KSA916Y	
R524,614	CRG1ANJ273H	RES, METAL OXIDE FILM 27 KOHM 1W	
R535,625	CRG1ANJ681H	RES, METAL OXIDE FILM 680 OHM 1W	
R536,626	CRG1ANJ471H	RES, METAL OXIDE FILM 470 OHM 1W	
R538,539,628,629	CRF5EKR22	RES, CEMENT 0.22 OHM 5 W	
R544,634	CRG2ANJ4R7H	RES, METAL OXIDE FILM 4.7 OHM 2 W	
R567,568	KRG1SANJ271RT	RES, METAL OXIDE FILM 270 OHM 1 W A-R630	
	KRG1SANJ391RT	RES, METAL OXIDE FILM 390 OHM 1 W A-R650	
R607,713	CRG2SANJ100RT	RES, METAL OXIDE FILM 10 OHM 1 W	
R617,635	CRG2SANJ100RT	RES, METAL OXIDE FILM 10 OHM 2 W	
R703,704,709,710	CRQ1AJR47H	RES, FUSE 1AJR47H	
RL51	HSL4A004ZU	RELAY, OSA-SS-212DM3	
RL52	CSL4A015ZU	RELAY, G5V-2-H1 DC12	
RL61	HSL4A004ZU	RELAY, OSA-SS-212DM3	
VR51,61	CVN12A471B03T	RES, SEMI FIXED 470 OHM B CURVE	
	CMY1A358YA	HEATSINK MAIN ASSY A-R630	
	CMY1A358ZA	HEATSINK MAIN ASSY A-R650	
	└CDD1A013YA	FAN ASSY	
	CDD1A013	FAN	
	CDMCCM05045R18	MOTOR	
	CGP3A016	FRAME, FAN	
	CWZAV7742	WIRE ASSY	
	CGP2A015	COVER, HEATSINK	
	CMD2A665	BRACKET	
	CMY1A358	HEATSINK	
Q514,610	⚠ HVTKTD2058Y	T.R, BIAS KTD2058Y	
Q518,614	⚠ CVT2SC2837	T.R, POWER 2SC2837 A-R630	
	⚠ HVT2SC3519A	T.R, POWER 2SC3519A A-R650	
Q520,616	⚠ CVT2SA1186	T.R, POWER 2SA1186 A-R630	
	⚠ HVT2SA1386A	T.R, POWER 2SA1386A A-R650	
	CSN2+4R	SCREW	
	CTB3+8JR	SCREW	
	CTW3+12JR	SCREW	

FRONT PCB

AMP POWER SUPPLY PCB

MIC PCB



SOLDERING

CUP12281X

A-R650_FRONT_MP3_CUP12281_A

POWER SW PCB

SUB TRANS PCB

LOUDNESS PCB

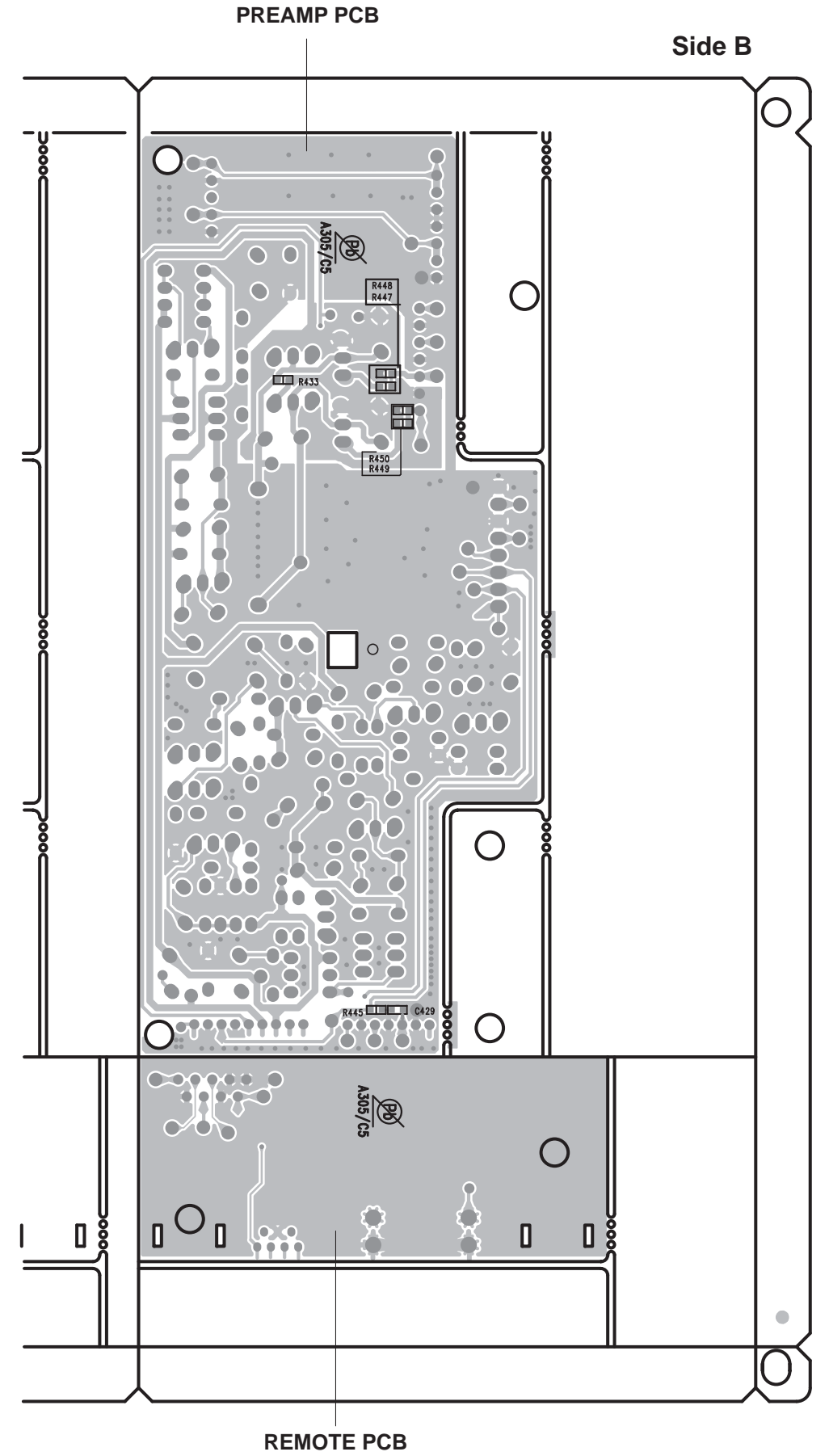
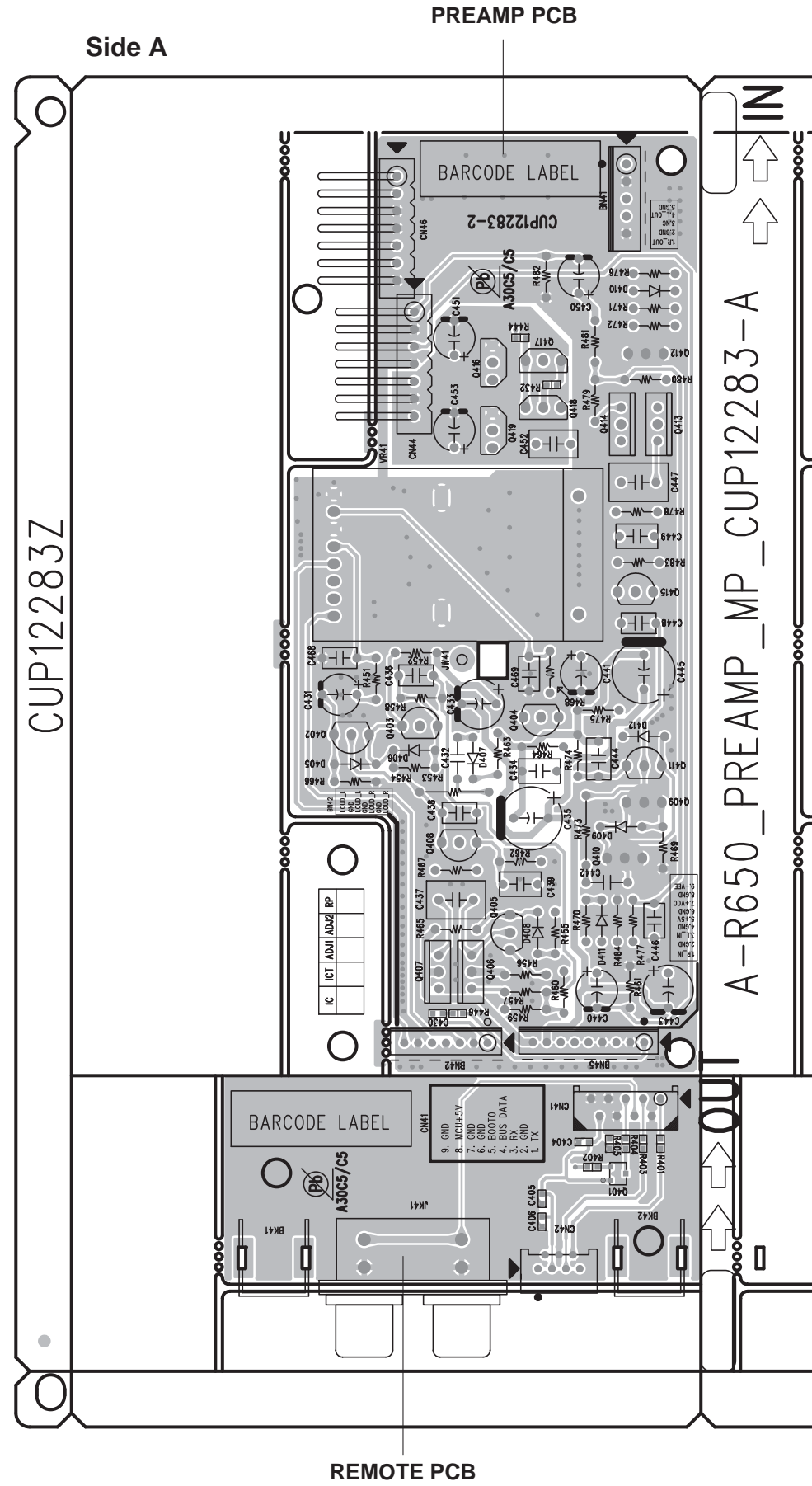
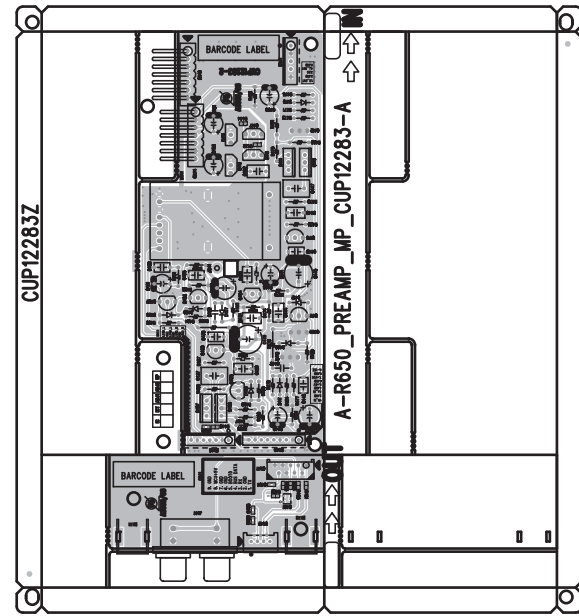
OUT

IN

FRONT BOARD

FRONT PCB

PREAMP PCB



A-R630 & A-R650

FRONT PCB ASSY

REF. NO.	PARTS NO.	DESCRIPTION	REMARKS
	COP12281B COP12281C COP12346B └CUP12281X CUP12346Z	FRONT PCB ASSY A-R650 FRONT PCB ASSY A-R630 [EUR], [UK] FRONT PCB ASSY A-R630S [JPN] PCB, FRONT A-R650 (330X247, FR1/1) PCB, FRONT A-R630 (330X247, FR1/1) [JPN] └FRONT PCB	Size of OL91mount holes only differs
		SUB TRANS PCB AMP POWER SUPPLY PCB MIC PCB LOUDNESS PCB H/P PCB POWER SW PCB	
BN21	CWB1BZ0722047	WIRE ASSY 7 P 2.0 MM 220 MM FLAT	
BN22	CWB1BZ1515047	WIRE ASSY 15 P 2.0 MM 150 MM FLAT	
BN23	CWB1C90728047001	WIRE ASSY SHIELD 7 P 2.0 MM 280 MM	
BN24	CWB1C90310047001	WIRE ASSY SHIELD 3 P 2.0 MM 100 MM	
BN25	CWB1C90535047001	WIRE ASSY SHIELD 5 P 2.0 MM 350 MM	
BN71,72	CWB1DZ0905058	WIRE ASSY 9 P 2.5 MM 50 MM	
BN91	CWB4D232450VZ	WIRE ASSY 2 P 3.96 MM 450 MM	
C215	CCEA1AH221T	CAP, ELECT 220 UF/10 V	
C217	CCEA0JH102T	CAP, ELECT 1000 UF/6.3 V	
C249,253,255,257 C269,272,279,280	CCEA1EH101T	CAP, ELECT 100 UF/25 V	
C706,707	CCET63VKL5682NK CCET75VPKPO103NK	CAP, ELECT 6800 UF/63 V A-R630 CAP, ELECT 10000 UF/75 V A-R650	
C903	KCKDKS472ME	CAP, CERAMIC 0.0047 UF/2.5 KV	
C909	CCEA1EH102E	CAP, ELECT 1000 UF/25 V	
CN21	CJP09GA115ZY	WAFER, CARD CABLE 9 P	
CN22,23	CJP07HA37ZM	WAFER, 7 P	
CN24	CJP03GI236ZW	WAFER, 3 P LOCKING TYPE STRAIGHT 2 MM	
CN25,96	CJP07GI236ZW	WAFER, 7 P LOCKING TYPE STRAIGHT 2 MM	
CN71	CJP03GA90ZY	WAFER, 3 P	
CN91,93	CJP02KA060ZY	WAFER, 2 P	
CN92	CJP02GA89ZM	WAFER, 2 P	
D201,203,216~220 D909,910	CVD1SS133MT	DIODE, SWITCHING 1SS133	
D204	HVD342VCTB7T089	L.E.D, RED SLR342VCTB7T089	
D205~211,221	HVD342YCTB7T089	L.E.D, YELLOW SLR-342YCTB7	
D212,213 D214,215	HVDSL325MCA47 CVDZJ5.6BT	L.E.D, GREEN SLR-325MCT31 DIODE, ZENER ZJ5.6B 1/2 W 5.6V	
D701	CVDGBJ1006BIA └HVDGBJ1006 CMY2A138	DIODE HEATSINK ASSY (CMY2A138) A-R630 DIODE, BRIDGE GBJ-1006-BP 10 A/600 V HEATSINK	
	CTB3+12JR CVDGBJ1506BGA └HVDGBJ1506 CMY2A138 CTB3+12JR	SCREW DIODE HEATSINK ASSY (CMY4A138) A-R650 DIODE, BRIDGE. GBJ-1506 15 A/600 V HEATSINK SCREW	
D901~906 D907 D908 ET51	CVD1N4003SRT CVD11EQS10GT CVD1N4003ST CMC1A111	DIODE, RECT 1N4003SRT DIODE, SCHOTTKY 11EQS10 (1 A/100 V) DIODE, RECT 1N4003ST PLATE, EARTH	
F901	KJCF5S └KBA2C3150TLEY └KBA2C4000TLEZ └KBA2C5000TLEY	HOLDER, FUSE FUSE, T 3.15 A L 250 V A-R630 [EUR], [UK] FUSE, T 4 A L 250 V A-R650 FUSE, T 5 A L 250 V A-R630S [JPN]	

A-R630 & A-R650

FRONT PCB ASSY

REF. NO.	PARTS NO.	DESCRIPTION	REMARKS
F902	⚠ KBA2D2500TLET	FUSE, T 2.5 A L 250V	
GD71	HJT1A025	PALTE, EARTH	
IC21	CVIANAM1521A	I.C, U-COM ASSY A-R650 PROGRAMMED	
	└CVISTM32F101R8T6	I.C, FLASH MCU CVISTM32F101R8T6	
IC22	CRVKSM603TE5B	SENSOR, REMOTE	
IC23	BVIBA33BC0FP	I,C, REGULATOR BA33BC0FP 3.3 V	
IC24	HVICD4066BM96	I.C, SWITCH CD4066BM96	
IC25	CVIML61C183PR	I.C, RESET ML61C183PRG 1.8 V	
IC26~28	HVINJM4556AL	I.C, HEADPHONE NJM4556AL	
IC91	CVINJU7223F50	I.C, REGULATOR NJU7223F50 5V	
JK21,22	CJJ2E026Z	JACK, HEADPHONE (SILVER PLATE)	
JW21,22	CWE8202180AR	RING WIRE 1 P 180mm #18	
JW23	CWE8202060AR	WIRE ASSY	
OL91	⚠ CJJ7A015Z	JACK, AC OUTLET (120V, 2P) A-R630S [JPN]	
	⚠ CJJ7A021Z	JACK, AC OUTLET [EUR], [UK]	
Q201~203,210,221	HVTKRA102MT	T.R, KRA102M	
Q902			
Q204,208,209	HVTKRC107MT	T.R, KRC107M	
Q205,206,223,224	HVTKTC3198YT	T.R, KTC3198Y	
Q207,220	HVTKRA107MT	T.R, KRA107M	
Q211~219,222,225	HVTKRC107MT	T.R, KRC107M	
Q901			
R701	CRD50FJ123T	RES, CARBON	
R702	CRD50FJ123T	RES, CARBON	
RL91	⚠ CSL1E002ZE	RELAY, POWER G5PA-1 (DC 6V)	
S201~204	CST1A012ZT	SW, TACT SKHV10910G	
SW21	CSR2A034Z	VR, ENCODER 2A034Z	
SW22,23	KSH2B003Z	SW, PUSH 2B003Z VERTICAL	
SW24	HSH2B017Z	SW, PUSH 2B017Z	
SW91	⚠ KSH1A001ZV	SW, PUSH POWER (MOMS)	
T901	⚠ CLT5I009ZE	TRANS, SUB CD6002/N [EUR], [UK]	
	⚠ CLT5I009ZJ	TRANS, SUB CD6002/F A-R630S [JPN]	
VR22	CVV2X04B503Z	RES, VARIABLE TONE	
VR23	CVV1U01W104Y	RES, VARIABLE	
VR24	CVV2X04B503Z	RES, VARIABLE TONE	
VR25	CVV1U01B503Y	RES, VARIABLE	
X201	HOX08000E160C	CRYSTAL 8 MHz	

PREAMP PCB ASSY

REF. NO.	PARTS NO.	DESCRIPTION	REMARKS
	COP12283B	PREAMP PCB ASSY A-R650	
	COP12283C	PREAMP PCB ASSY A-R630 [EUR], [UK]	
	COP12283D	PREAMP PCB ASSY A-R630S [JPN]	
	└CUP12283Z	PCB, IPOD A-R650 (253X160, FR4/2)	
BN41	CWB1C90512058002	WIRE ASSY 5 P SHIELD 2.0 MM 120 MM	
BN42	CWB1C90710047001	WIRE ASSY 7 P SHIELD 2.0 MM 100 MM	
BN45	CWB1C90920047001	WIRE ASSY 9 P SHIELD 2.0 MM 350 MM	
C433,435,443,445	CCEA1VH221T	CAP, ELECT 220 UF/35 V	
CN41	CJP09GA115ZY	WAFER, CARD CABLE 9 P	
CN42	CJP07GB113ZY	WAFER, CARD CABLE 7 P	
CN44,46	CJP07GF230ZB	PIN HEADER, 7P ANGLE L=20.5	
D405~412	CVD1SS133MT	DIODE, SWITCHING 1SS133MT	
JK41	CJJ4N023Z	JACK, REMOTE (2P)	
JW41	CWE8202140AR	WIRE ASSY 1P 140 MM	

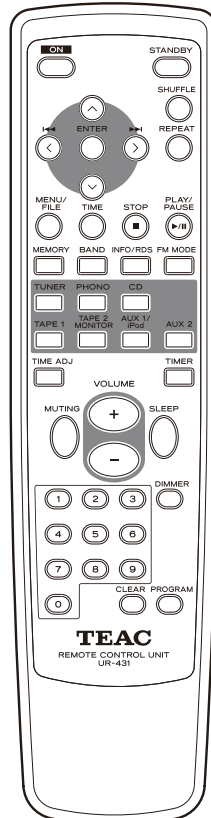
PREAMP PCB ASSY

REF. NO.	PARTS NO.	DESCRIPTION	REMARKS
Q401	HVTKRA102S	T.R, KRA102S	
Q402,403,409,410	HVTKTA1268GRT	T.R, KTA1268GR	
Q404,411	HVTKTC3200GRT	T.R, KTC3200GR	
Q405,412	HVTKTA1266YT	T.R, TKTA1266YT	
Q406,413	HVT2SC2911S	T.R, 2SC2911S	
Q407,414	HVT2SA1209S	T.R, 2SA1209S	
Q408,415	HVTKTC3198YT	T.R, KTC3198Y	
Q416,419	CVTKTC3204YT	T.R, KTC3204Y	
Q417,418	CVTKTA1272YT	T.R, KTA1272Y	
VR41	CVV9Y14A503Z	VOLUME, MOTOR	

5. INCLUDED ACCESSORIES

REF. NO.	PARTS NO.	DESCRIPTION	REMARKS
	CQX1A1523Z	OWNER'S MANUAL (EFSGIN) A-R650 [EUR], [UK]	
	CQX1A1569Z	OWNER'S MANUAL (EFSGIN) A-R630 [EUR], [UK]	
	CQX1A1570Z	OWNER'S MANUAL (J) A-R630S [JPN]	
	CJA2B054Z	CORD, POWER NON CAPTIVE 2 WIRE [EUR]	A-R650 only
	CJA2E077Z	CORD, POWER NON CAPTIVE 10A/125V [UK]	A-R650 only
	CABR03PPB	BATTERY, AAA 2PCS IN PACK	
	CARTAR650	REMOTE CONTROL UNIT UR-431	

REMOTE CONTROL UNIT UR-431



TEAC

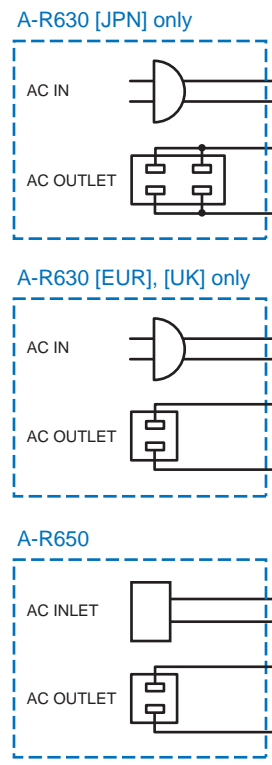
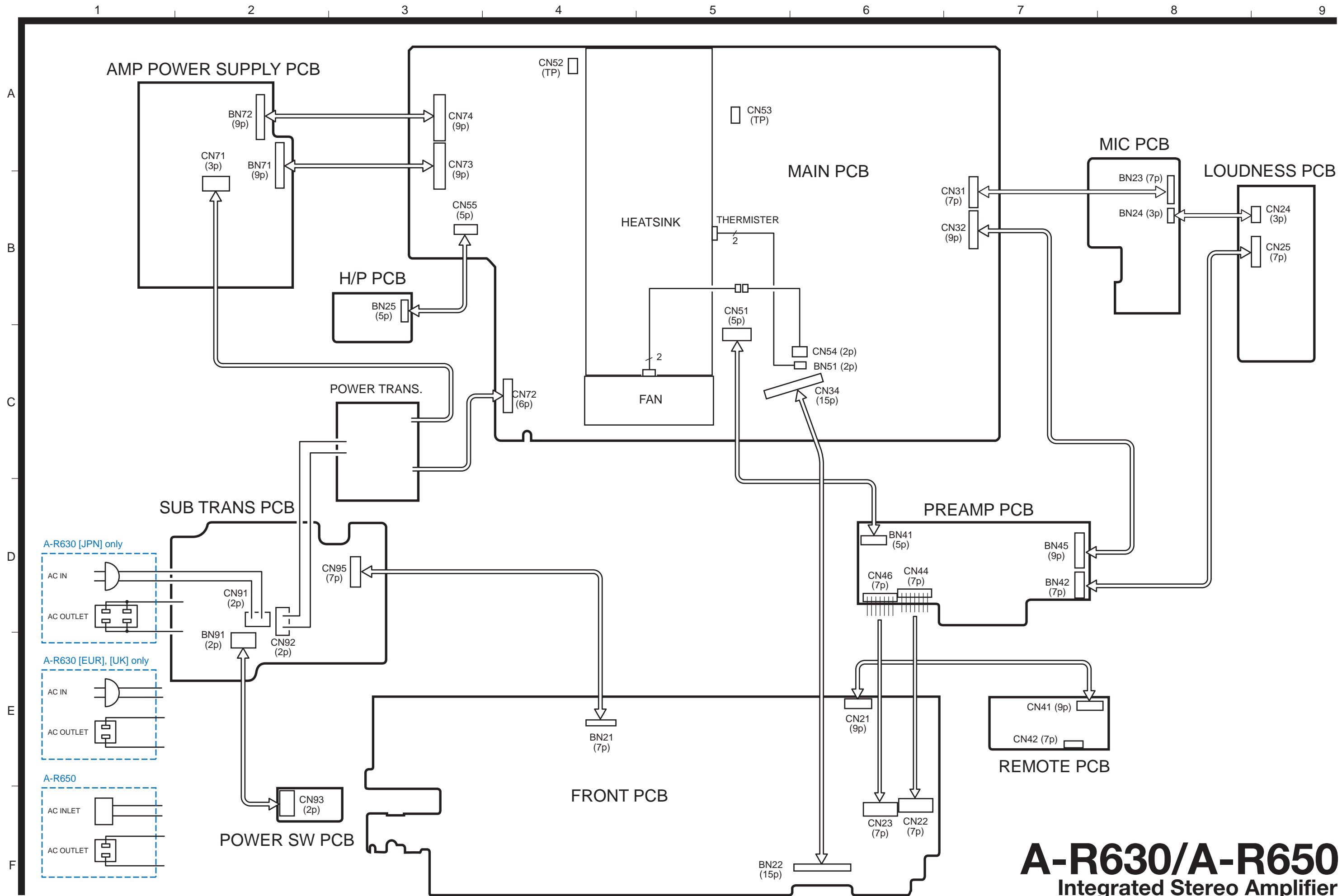
SCHEMATIC DIAGRAMS

CONTENTS

WIRING DIAGRAM..... 2
BLOCK DIAGRAM 3
MAIN PCB 4
FRONT PCB & Others..... 5
PREAMP PCB, REMOTE PCB 6

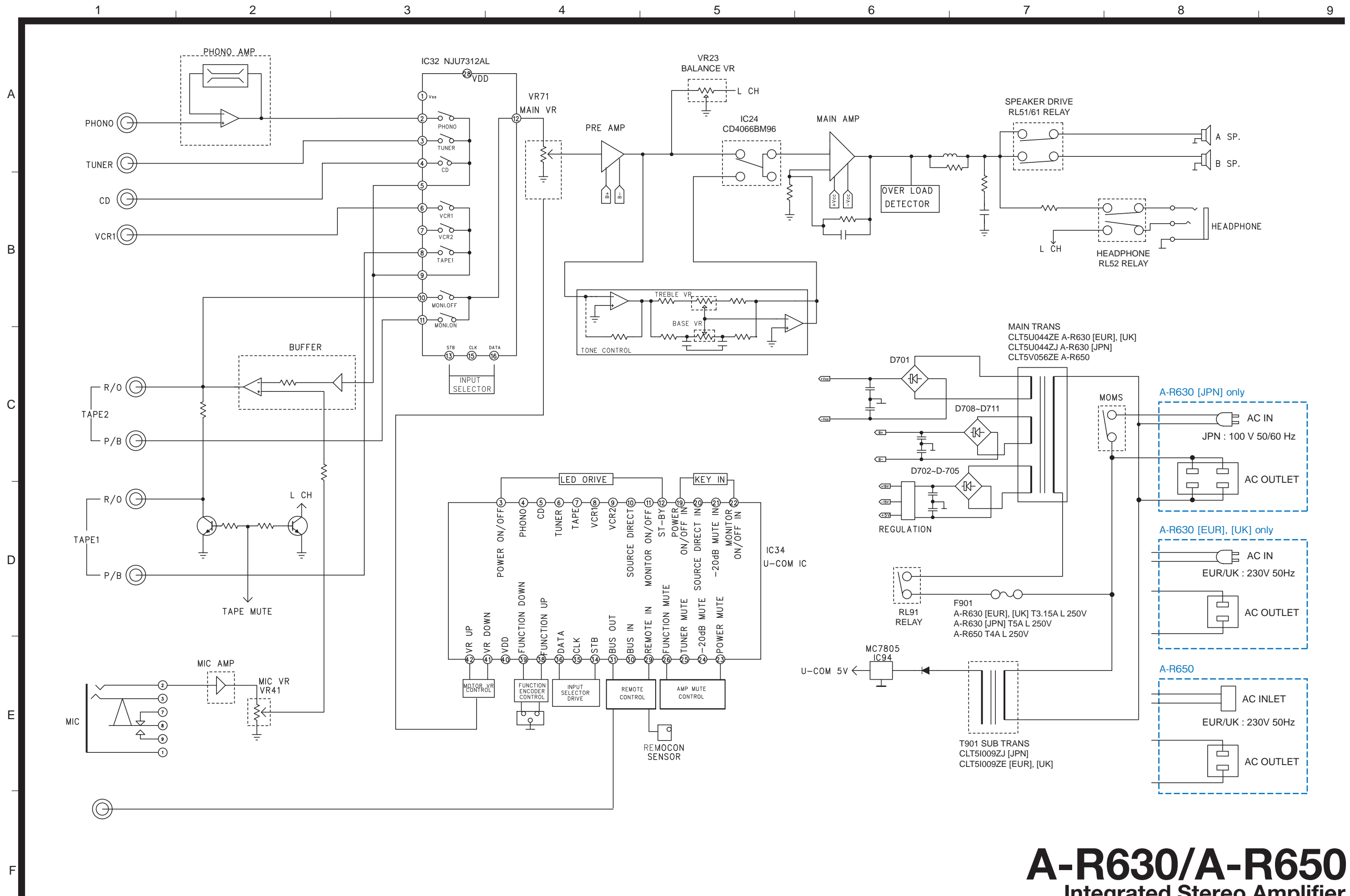
A-R630/A-R650
Integrated Stereo Amplifier

1st Issue; November 2010



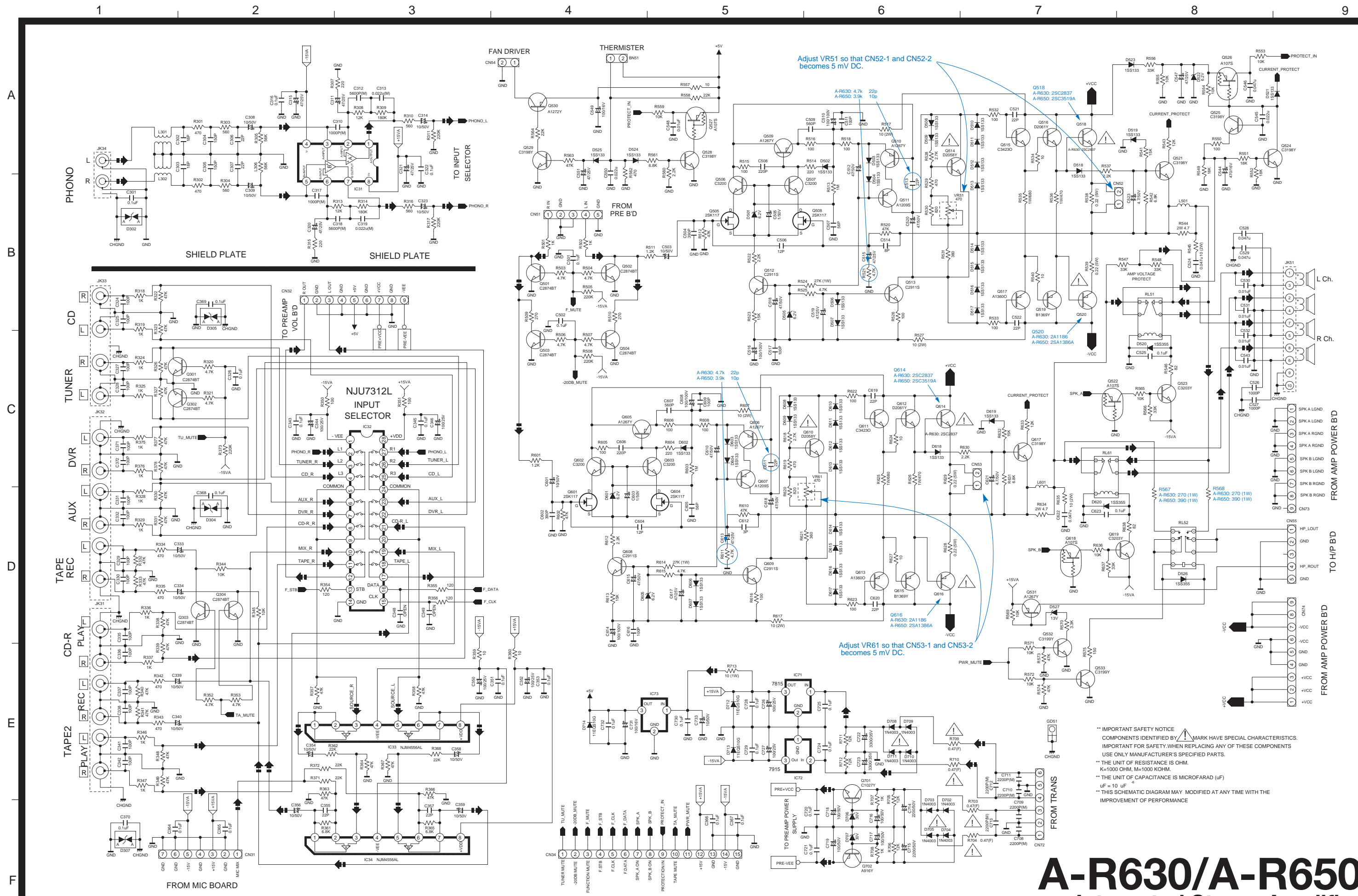
A-R630/A-R650
Integrated Stereo Amplifier

TEAC BLOCK DIAGRAM A-R630/A-R650



A-R630/A-R650 Integrated Stereo Amplifier

1st Issue; November 2010



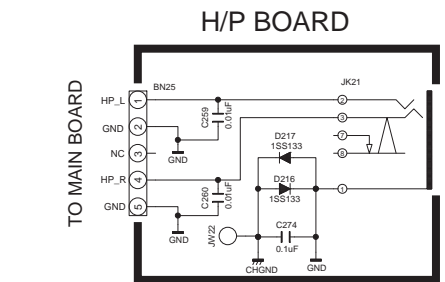
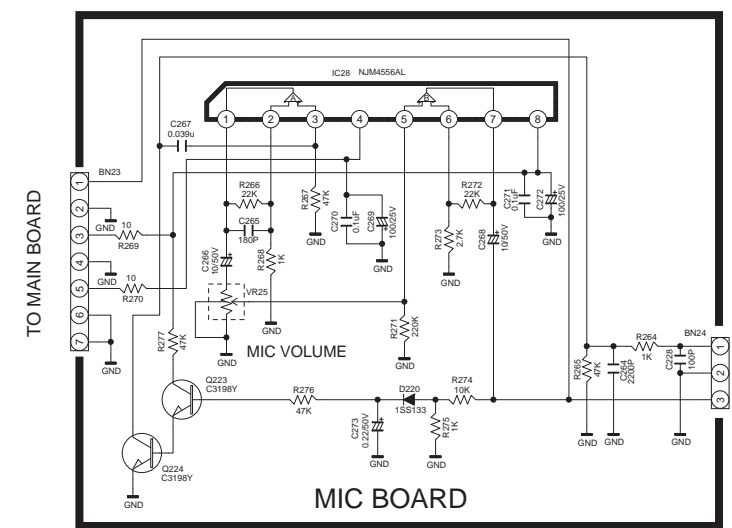
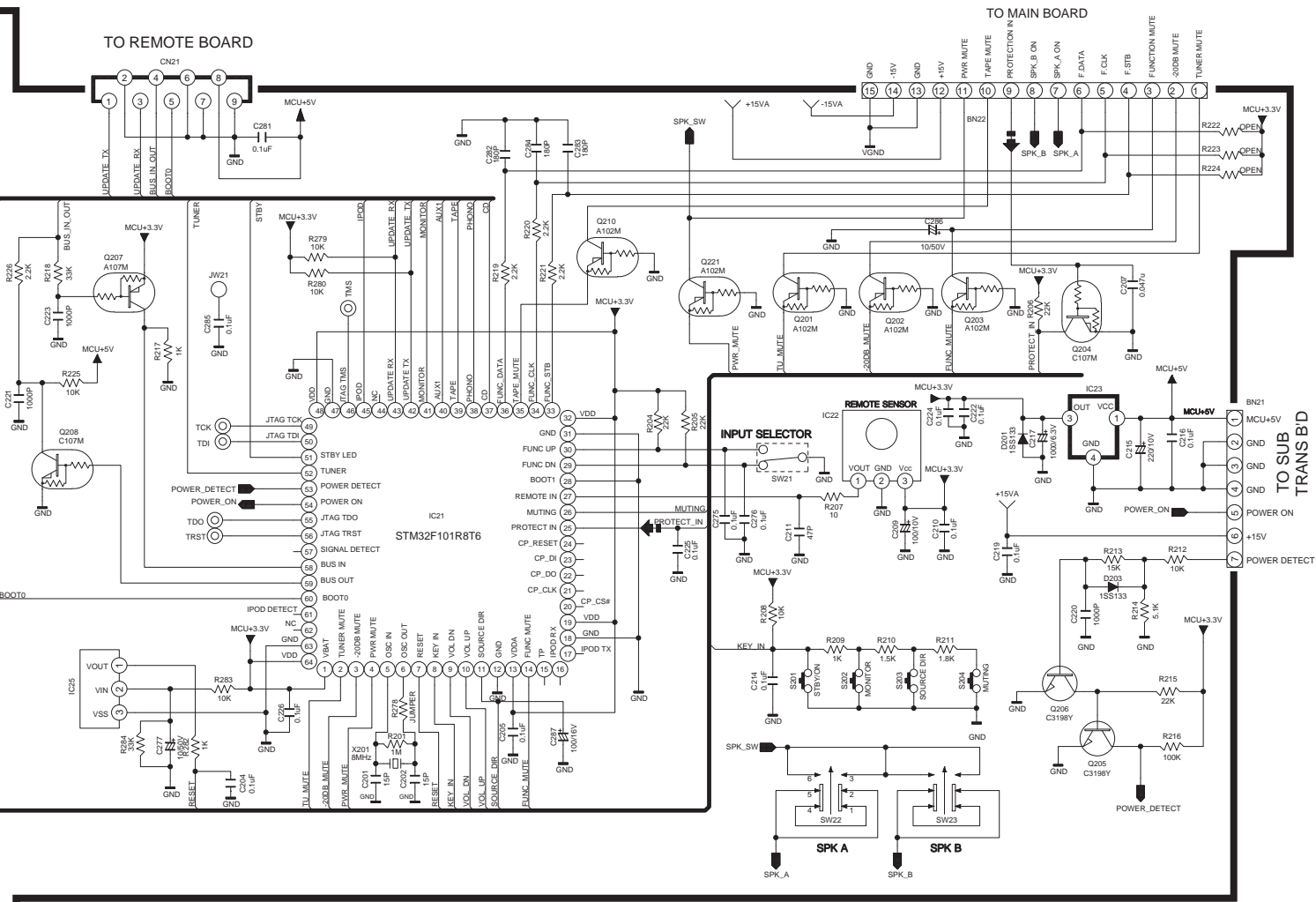
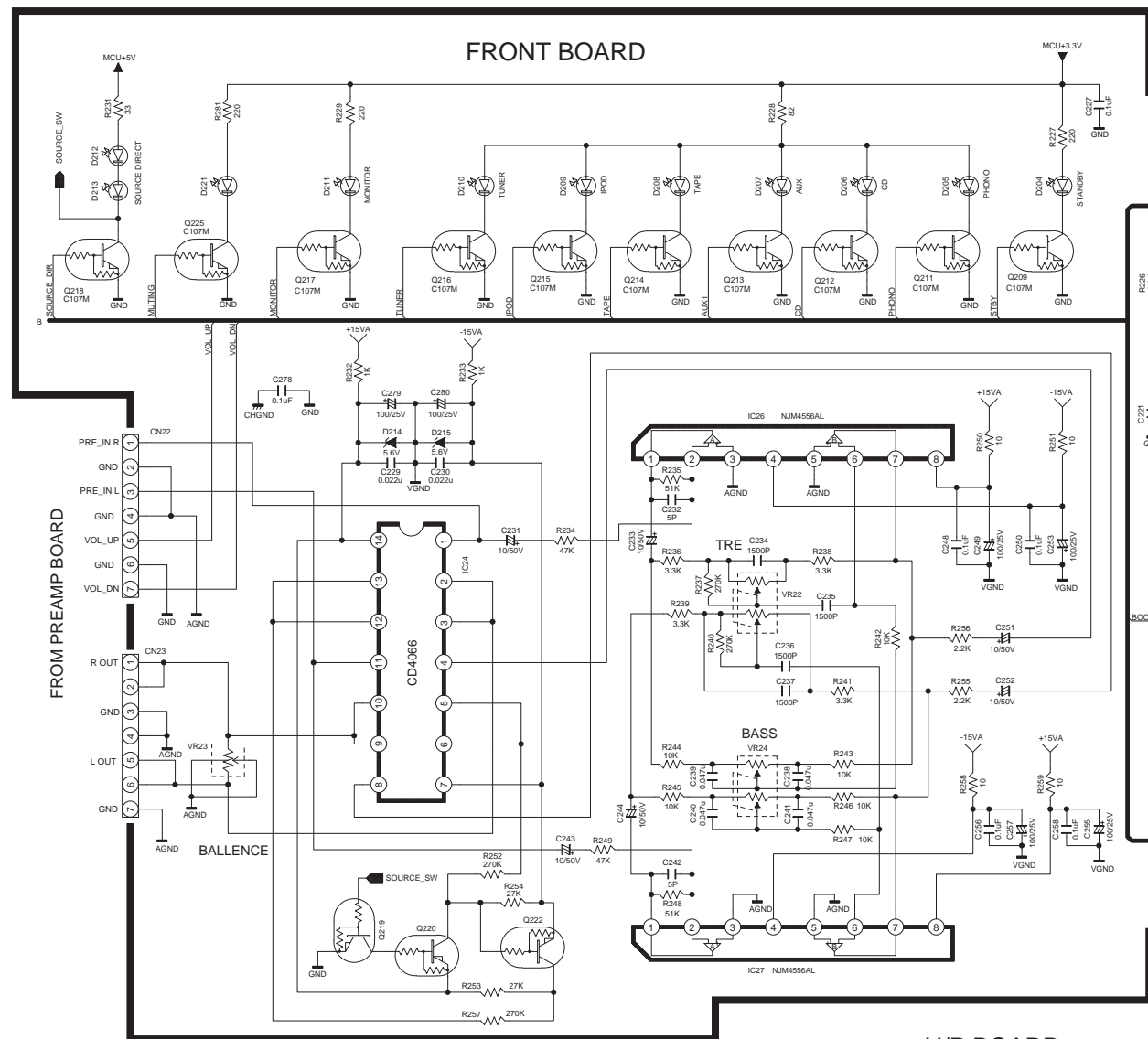
**** IMPORTANT SAFETY NOTICE**
 COMPONENTS IDENTIFIED BY MARK HAVE SPECIAL CHARACTERISTICS.
 IMPORTANT FOR SAFETY, WHEN REPLACING ANY OF THESE COMPONENTS
 USE ONLY MANUFACTURER'S SPECIFIED PARTS.
 ** THE UNIT OF RESISTANCE IS OHM.
 K=1000 OHM, M=1000 KOHM.
 ** THE UNIT OF CAPACITANCE IS MICROFARAD (uF)
 uF = 10 uF
 ** THIS SCHEMATIC DIAGRAM MAY BE MODIFIED AT ANY TIME WITH THE
 IMPROVEMENT OF PERFORMANCE

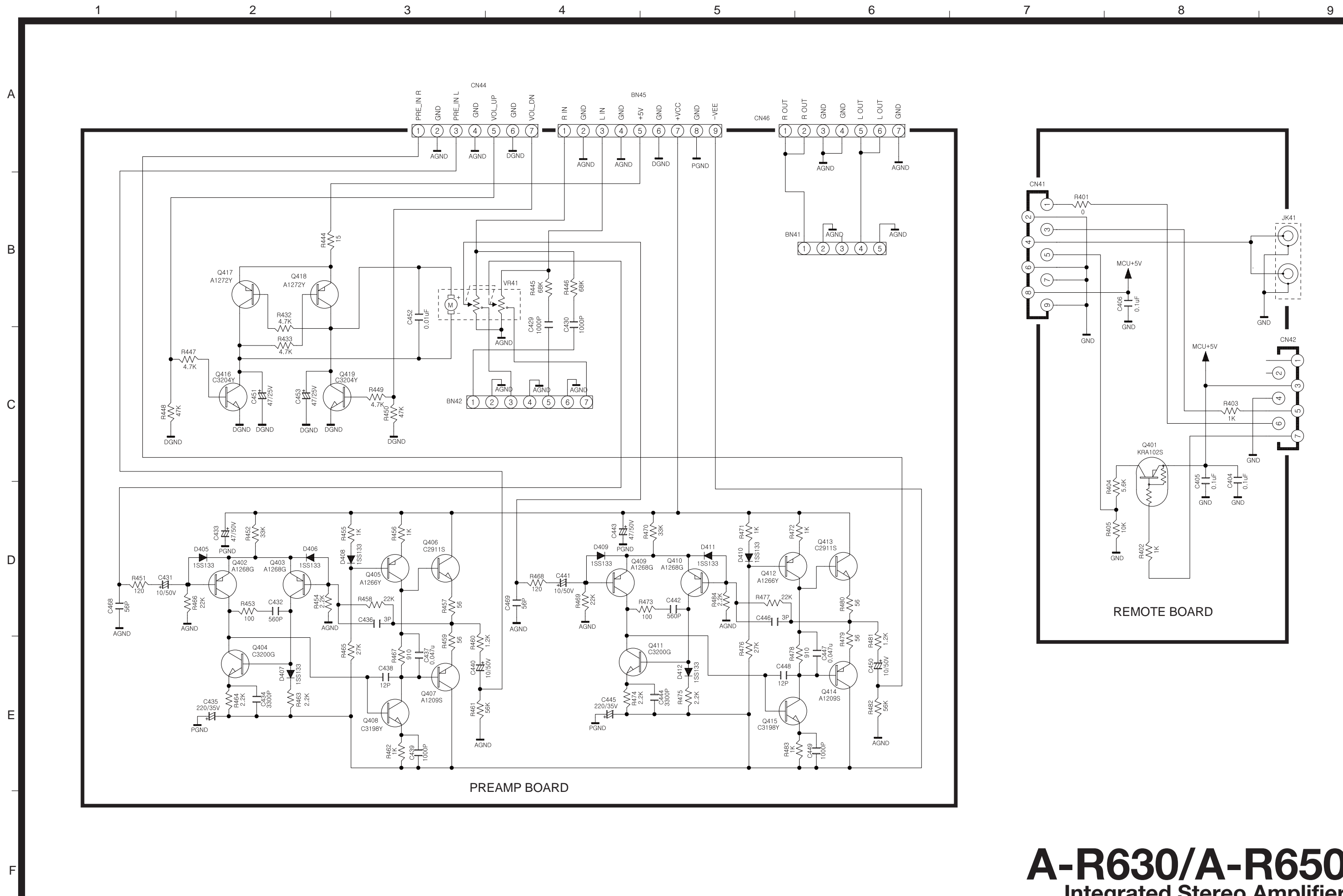
A-R630/A-R650

Integrated Stereo Amplifier

1 2 3 4 5 6 7 8 9

A
B
C
D
E
F





A-R630/A-R650
Integrated Stereo Amplifier

LEVEL	PART No.	DESCRIPTION	REF. No.	QTY	UNIT	REMARKS	
1	A-R650UKSET	SET, STEREO AMPLIFIER		1	EA		
2	CGWAR650UK	FRONT ASSY		1	EA		
3	CBC1A095	KNOB, LOUDNESS		1	EA	A-R600EUR	
3	CBC1A114	KNOB, SPEAKER		2	EA	A-R600EUR	
3	CBC1A115	KNOB, LOUDNESS (PUSH)		1	EA	A-R600EUR	
3	CBN1A079YK66	KNOB, ROTARY		1	EA		
3	CBN2A052Y	KNOB, ROTARY		3	EA		
3	CBT1A603	KNOB, TACT		2	EA	A-R600EUR	
3	CBT1A604	KNOB, POWER		1	EA	A-R600EUR	
3	CBT1A605	KNOB, DIRECT		1	EA	A-R600EUR	
3	CGB1A165HB	BADGE, TEAC		1	EA		
3	CGL1A109	INDICATOR, FUNCTION		3	EA	A-R600EUR	
3	CGL1A162	INDICATOR, FUNCTION		2	EA	A-R600EUR	
3	CGR2A154	ORNAMENT, REMOTE		1	EA	A-R600EUR	
3	CGW4A245WB38	PANEL, FRONT		1	EA		
3	CMD1A355	BRACKET, TOP		2	EA	ALL MODEL	
3	CMD1A363	BRACKET, POWER		1	EA	A-R600	
3	CMK1A019	BRACKET, VOLUME		1	EA	A-R600/AG-D9320	
3	CNW1A036	WASHER		2	EA	A-R600	
3	CNW1A037	WASHER		3	EA		
3	CTB3+10JR	SCREW		2	EA		
3	CTB3+8JR	SCREW		29	EA	00M51260308M0	
3	CTWS3+10GR	SCREW		1	EA		
3	CUS1A084	SPRING, FORMING		1	EA	A-H500&A-R600	
3	C8AG311	GREASE		2	G		
3	KGX1A216VA	VOLUME CAP ASSY (A)		1	EA		
3	KGX1A216YA	VOLUME CAP ASSY (A)		1	EA		
3	KGX1A219CS58	HOUSING, VOLUME		1	EA		
3	KGX2A219CS58	HOUSING, VOLUME		1	EA		
2	CKC3A085B25	CABINET, TOP		1	EA		
2	CRE1A037	LOCKER	SH08M790BO	8	EA	SH08M790BO	
2	CTB3+8JFZR	SCREW		6	EA		
2	CTB4+6FFZR	SCREW		6	EA		
2	CJAAAR650UK	BOTTOM ASSY		1	EA		
3	CHD1A023R	SCREW, SPECIAL		4	EA		
3	CHE170	HOLDER, PCB		5	EA	ALL MODEL	
3	CHG1A104	CUSHION, EVA	H=9.5(15X20)	1	EA	H=9.5(15X20)	
3	CHG1A113	RUBBER		4	EA	ALL MODEL	
3	CHG1A360	CUSHION, FOOT		2	EA		
3	CHR301	CLAMPER		7	EA		
3	CHS1A032	TAPE, HEMELON		9	EA		
3	CKF1A424Z	PANEL, REAR		1	EA		
3	CKL1A012	FOOT, RUBBER (BLACK)		2	EA	TD-3000	
3	CKL2A042H11	FOOT, FRONT		2	EA	MODEL	
3	CLT5V056ZE	MAIN TRANS (A-R650EUR)		1	EA		
3	CLZ9W003Z	FERRITE, RING	29X7.7X19	1	EA	29X7.7X19	
3	CLZ9Z071Z	FERRITE, CORE		1	EA		
3	CMD1A490	BRACKET, HEATSINK		1	EA	SR5400/6400	
3	COP12281B	A-R650 FRONT PCB ASS'Y		1	EA		
4	CIP12281B	A-R650 FRONT PCB AUTO ASS'Y		1	EA		
5	CUP12281X	PCB, FRONT A-R650 (330X247.FR1/1)		1	EA		
5	CCBS1H150JUCT	CAP. CERAMIC (15 PF/50V)	CH UP025CH150J-A-B Z	C201	1	EA	CH UP025CH150J-
5	CCBS1H104ZFT	CAP. CERAMIC (15 PF/50V)	CH UP025CH150J-A-B Z	C202	1	EA	CH UP025CH150J-
5	CCBS1H104ZFT	CAP. CERAMIC	0.1UF 50V Z	C204	1	EA	CH UP050 F104Z-
5	CCBS1H104ZFT	CAP. CERAMIC	0.1UF 50V Z	C205	1	EA	CH UP050 F104Z-
5	CCBS1H473ZFT	CAP. CERAMIC (47000 PF/50V)	CH UP025 F473Z-A-B J	C207	1	EA	CH UP050 F473Z-
5	CCEA1AH101T	CAP. ELECT	100UF 50V	C209	1	EA	10V 100UF 5*11
5	CCBS1H104ZFT	CAP. CERAMIC	0.1UF 50V Z	C210	1	EA	CH UP050 F104Z-
5	CCBS1H470JT	CAP. CERAMIC (47 PF/50V)	CH UP025SL470J-A-B Z	C211	1	EA	CH UP025SL470J-
5	CCBS1H104ZFT	CAP. CERAMIC	0.1UF 50V Z	C214	1	EA	CH UP050 F104Z-
5	CCEA1AH221T	CAP. ELECT	220UF 10V	C215	1	EA	220UF/10V
5	CCBS1H104ZFT	CAP. CERAMIC	0.1UF 50V Z	C216	1	EA	CH UP050 F104Z-
5	CCEA0JH102T	CAP. ELECT (1000uF/6.3V)	1000UF 6.3V	C217	1	EA	
5	CCBS1H102KBT	CAP. CERAMIC (1000 PF/50V)	CH UP025 B102K-A-B Z	C220	1	EA	CH UP025 B102K-
5	CCBS1H102KBT	CAP. CERAMIC (1000 PF/50V)	CH UP025 B102K-A-B Z	C221	1	EA	CH UP025 B102K-
5	CCBS1H104ZFT	CAP. CERAMIC	0.1UF 50V Z	C222	1	EA	CH UP050 F104Z-
5	CCBS1H102KBT	CAP. CERAMIC (1000 PF/50V)	CH UP025 B102K-A-B Z	C223	1	EA	CH UP025 B102K-
5	CCBS1H104ZFT	CAP. CERAMIC	0.1UF 50V Z	C224	1	EA	CH UP050 F104Z-
5	CCBS1H104ZFT	CAP. CERAMIC	0.1UF 50V Z	C225	1	EA	CH UP050 F104Z-
5	CCBS1H104ZFT	CAP. CERAMIC	0.1UF 50V Z	C226	1	EA	CH UP050 F104Z-
5	CCBS1H104ZFT	CAP. CERAMIC	0.1UF 50V Z	C227	1	EA	CH UP050 F104Z-
5	CCBS1H101KBT	CAP. CERAMIC (100 PF/50V)	CH UP025 B101K-A-B Z	C228	1	EA	CH UP025 B101K-
5	CCBS1H223ZFT	CAP. CERAMIC (22000 PF/50V)	CH UP025 F223Z-A-B J	C229	1	EA	CH UP050 F223Z-
5	CCBS1H223ZFT	CAP. CERAMIC (22000 PF/50V)	CH UP025 F223Z-A-B J	C230	1	EA	CH UP050 F223Z-
5	CCEA1HH100T	CAP. ELECT	100UF 50V	C231	1	EA	00107-1045
5	CCCT1H050CC	CAP. CERAMIC	5 PF 50V C	C232	1	EA	5PF 50V C
5	CCEA1HH100T	CAP. ELECT	100UF 50V	C233	1	EA	00107-1045
5	HCQ1H152JZT	CAP. MYLAR	1500 PF 50V J	C234	1	EA	HPE152JZAP050T
5	HCQ1H152JZT	CAP. MYLAR	1500 PF 50V J	C235	1	EA	HPE152JZAP050T
5	HCQ1H152JZT	CAP. MYLAR	1500 PF 50V J	C236	1	EA	HPE152JZAP050T
5	HCQ1H152JZT	CAP. MYLAR	1500 PF 50V J	C237	1	EA	HPE152JZAP050T
5	HCQ1H473JZT	CAP. MYLAR	0.047UF 50V J	C238	1	EA	HPE473JZAP050T
5	HCQ1H473JZT	CAP. MYLAR	0.047UF 50V J	C239	1	EA	HPE473JZAP050T
5	HCQ1H473JZT	CAP. MYLAR	0.047UF 50V J	C240	1	EA	HPE473JZAP050T
5	HCQ1H473JZT	CAP. MYLAR	0.047UF 50V J	C241	1	EA	HPE473JZAP050T
5	CCCT1H050CC	CAP. CERAMIC	5 PF 50V C	C242	1	EA	5PF 50V C
5	CCEA1HH100T	CAP. ELECT	100UF 50V	C243	1	EA	00107-1045
5	CCEA1HH100T	CAP. ELECT	100UF 50V	C244	1	EA	00107-1045
5	CCBS1H104ZFT	CAP. CERAMIC	0.1UF 50V Z	C248	1	EA	CH UP050 F104Z-
5	CCEA1EH101T	CAP. ELECT	100UF 25V	C249	1	EA	
5	CCBS1H104ZFT	CAP. CERAMIC	0.1UF 50V Z	C250	1	EA	CH UP050 F104Z-
5	CCEA1HH100T	CAP. ELECT	100UF 50V	C251	1	EA	00107-1045
5	CCEA1HH100T	CAP. ELECT	100UF 50V	C252	1	EA	00107-1045
5	CCEA1EH101T	CAP. ELECT	100UF 25V	C253	1	EA	
5	CCEA1EH101T	CAP. ELECT	100UF 25V	C255	1	EA	
5	CCBS1H104ZFT	CAP. CERAMIC	0.1UF 50V Z	C256	1	EA	CH UP050 F104Z-
5	CCEA1EH101T	CAP. ELECT	100UF 25V	C257	1	EA	
5	CCBS1H104ZFT	CAP. CERAMIC	0.1UF 50V Z	C258	1	EA	CH UP050 F104Z-
5	HCQ1H103JZT	CAP. MYLAR	0.01UF 50V J	C259	1	EA	HPE103JZAP050T
5	HCQ1H103JZT	CAP. MYLAR	0.01UF 50V J	C260	1	EA	HPE103JZAP050T
5	HCQ1H683JZT	CAP. MYLAR	0.068UF 50V J	C261	1	EA	HPE683JZAP050T
5	HCQ1H683JZT	CAP. MYLAR	0.068UF 50V J	C262	1	EA	HPE683JZAP050T
5	CCBS1H104ZFT	CAP. CERAMIC	0.1UF 50V Z	C263	1	EA	CH UP050 F104Z-
5	CCBS1C222MXT	CAP. CERAMIC (2200 PF/16V)	CH EP025 B222M-A-B J	C264	1	EA	CH EP025 B222M-
5	CCBS1H181KBT	CAP. CERAMIC (180 PF/50V)	CH UP025 B181K-A-B Z	C265	1	EA	CH UP025 B181K-
5	CCEA1HH100T	CAP. ELECT	100UF 50V	C266	1	EA	00107-1045
5	HCQ1H393JZT	CAP. MYLAR	0.039UF 50V J	C267	1	EA	HPE393JZAP050T
5	CCEA1HH100T	CAP. ELECT	100UF 50V	C268	1	EA	00107-1045
5	CCEA1EH101T	CAP. ELECT	100UF 25V	C269	1	EA	
5	CCBS1H104ZFT	CAP. CERAMIC	0.1UF 50V Z	C270	1	EA	CH UP050 F104Z-
5	CCBS1H104ZFT	CAP. CERAMIC	0.1UF 50V Z	C271	1	EA	CH UP050 F104Z-
5	CCEA1EH101T	CAP. ELECT	100UF 25V	C272	1	EA	
5	CCEA1HHR22T	CAP. ELECT	0.22UF 50V	C273	1	EA	
5	CCBS1H104ZFT	CAP. CERAMIC	0.1UF 50V Z	C274	1	EA	CH UP050 F104Z-
5	CCBS1H104ZFT	CAP. CERAMIC	0.1UF 50V Z	C275	1	EA	CH UP050 F104Z-

1165	CCBS1H104ZFT	CAP. CERAMIC	0.1UF 50V Z	C276	1	EA	CH UP050 F104Z-
1175	CCEA1HH100T	CAP. ELECT	10UF 50V	C277	1	EA	00107-1045
1185	CCBS1H104ZFT	CAP. CERAMIC	0.1UF 50V Z	C278	1	EA	CH UP050 F104Z-
1195	CCEA1EH101T	CAP. ELECT	100UF 25V	C279	1	EA	
1205	CCEA1EH101T	CAP. ELECT	100UF 25V	C280	1	EA	
1215	CCBS1H104ZFT	CAP. CERAMIC	0.1UF 50V Z	C281	1	EA	CH UP050 F104Z-
1225	CCBS1H181KBT	CAP. CERAMIC (180 PF/50V)	CH UP025 B181K-A-B Z	C282	1	EA	CH UP025 B181K-
1235	CCBS1H181KBT	CAP. CERAMIC (180 PF/50V)	CH UP025 B181K-A-B Z	C283	1	EA	CH UP025 B181K-
1245	CCBS1H181KBT	CAP. CERAMIC (180 PF/50V)	CH UP025 B181K-A-B Z	C284	1	EA	CH UP025 B181K-
1255	CCBS1H104ZFT	CAP. CERAMIC	0.1UF 50V Z	C285	1	EA	CH UP050 F104Z-
1265	CCEA1HH100T	CAP. ELECT	10UF 50V	C286	1	EA	00107-1045
1275	CCEA1CH101T	CAP. ELECT	100UF 16V	C287	1	EA	00107-1003
1285	CCME2A104JXT	CAP. METALLIZED FILM	HMFS104J2AP050T	C701	1	EA	HMFS104J2AP050T
1295	CCME2A104JXT	CAP. METALLIZED FILM	HMFS104J2AP050T	C702	1	EA	HMFS104J2AP050T
1305	CCME2A104JXT	CAP. METALLIZED FILM	HMFS104J2AP050T	C703	1	EA	HMFS104J2AP050T
1315	CCME2A104JXT	CAP. METALLIZED FILM	HMFS104J2AP050T	C904	1	EA	HMFS104J2AP050T
1325	CCME2A104JXT	CAP. METALLIZED FILM	HMFS104J2AP050T	C905	1	EA	HMFS104J2AP050T
1335	CCME2A104JXT	CAP. METALLIZED FILM	HMFS104J2AP050T	C906	1	EA	HMFS104J2AP050T
1345	CCEA1HH1R0T	CAP. ELECT	1UF 50V	C907	1	EA	00107-1015
1355	CCBS1H104ZFT	CAP. CERAMIC	0.1UF 50V Z	C908	1	EA	CH UP050 F104Z-
1365	CCEA1CH470T	CAP. ELECT	47UF 16V	C910	1	EA	00107-1007
1375	CCBS1H104ZFT	CAP. CERAMIC	0.1UF 50V Z	C911	1	EA	CH UP050 F104Z-
1385	CCBS1H104ZFT	CAP. CERAMIC	0.1UF 50V Z	C912	1	EA	CH UP050 F104Z-
1395	CCBS1H104ZFT	CAP. CERAMIC	0.1UF 50V Z	C915	1	EA	CH UP050 F104Z-
1405	CVD1SS133MT	DIODE, SWITCHING	1SS133	D201	1	EA	ISS133(T/B)
1415	CVD1SS133MT	DIODE, SWITCHING	1SS133	D203	1	EA	ISS133(T/B)
1425	HVD342VCTB7T089	L.E.D. RED	SLR342VCTB7T089	D204	1	EA	SLR342VCTB7T089
1435	HVD342YCTB7T089	L.E.D. YELLOW	SLR342YCTB7	D205	1	EA	SLR-342YCTB7
1445	HVD342YCTB7T089	L.E.D. YELLOW	SLR342YCTB7	D206	1	EA	SLR-342YCTB7
1455	HVD342YCTB7T089	L.E.D. YELLOW	SLR342YCTB7	D207	1	EA	SLR-342YCTB7
1465	HVD342YCTB7T089	L.E.D. YELLOW	SLR342YCTB7	D208	1	EA	SLR-342YCTB7
1475	HVD342YCTB7T089	L.E.D. YELLOW	SLR342YCTB7	D209	1	EA	SLR-342YCTB7
1485	HVD342YCTB7T089	L.E.D. YELLOW	SLR342YCTB7	D210	1	EA	SLR-342YCTB7
1495	HVD342YCTB7T089	L.E.D. YELLOW	SLR342YCTB7	D211	1	EA	SLR-342YCTB7
1505	HVDSL325MCA47	LED, GREEN		D212	1	EA	SLR-325MCT31
1515	HVDSL325MCA47	LED, GREEN		D213	1	EA	SLR-325MCT31
1525	CVDZJ5.6BT	DIODE, ZENER 5.6V	ZJ5.6B 1/2W	D214	1	EA	ZJ5.6BT(26MM T/
1535	CVDZJ5.6BT	DIODE, ZENER 5.6V	ZJ5.6B 1/2W	D215	1	EA	ZJ5.6BT(26MM T/
1545	CVD1SS133MT	DIODE, SWITCHING	1SS133	D216	1	EA	ISS133(T/B)
1555	CVD1SS133MT	DIODE, SWITCHING	1SS133	D217	1	EA	ISS133(T/B)
1565	CVD1SS133MT	DIODE, SWITCHING	1SS133	D218	1	EA	ISS133(T/B)
1575	CVD1SS133MT	DIODE, SWITCHING	1SS133	D219	1	EA	ISS133(T/B)
1585	CVD1SS133MT	DIODE, SWITCHING	1SS133	D220	1	EA	ISS133(T/B)
1595	HVD342YCTB7T089	L.E.D. YELLOW	SLR342YCTB7	D221	1	EA	SLR-342YCTB7
1605	CVD1N4003SRT	DIODE, RECT	1N4003	D901	1	EA	1N4003 SRT
1615	CVD1N4003SRT	DIODE, RECT	1N4003	D902	1	EA	1N4003 SRT
1625	CVD1N4003SRT	DIODE, RECT	1N4003	D903	1	EA	1N4003 SRT
1635	CVD1N4003SRT	DIODE, RECT	1N4003	D904	1	EA	1N4003 SRT
1645	CVD1N4003SRT	DIODE, RECT	1N4003	D905	1	EA	1N4003 SRT
1655	CVD1N4003SRT	DIODE, RECT	1N4003	D906	1	EA	1N4003 SRT
1665	CVD11EQS10GT	DIODE, SCHOTTKY (100V/1A)		D907	1	EA	11EQS10
1675	CVD1N4003ST	DIODE, RECT	1N4003	D908	1	EA	1N4003T/P
1685	CVD1SS133MT	DIODE, SWITCHING	1SS133	D909	1	EA	ISS133(T/B)
1695	CVD1SS133MT	DIODE, SWITCHING	1SS133	D910	1	EA	ISS133(T/B)
1705	KJCFCS5	HOLDER, FUSE		F901	1	EA	
1715	KBAZD2500TLET	FUSE (2.5A)		F902	1	EA	
1725	HJT1A025	PALTE, EARTH	MET137-0002	GD71	1	EA	MET137-0002
1735	HVKRA102MT	T.R. TO-92M	KRA102M	Q201	1	EA	KRA102M-AT/P
1745	HVKRA102MT	T.R. TO-92M	KRA102M	Q202	1	EA	KRA102M-AT/P
1755	HVKRA102MT	T.R. TO-92M	KRA102M	Q203	1	EA	KRA102M-AT/P
1765	HVKRC107MT	T.R. TO-92M	KRC107M	Q204	1	EA	KRC107M-AT/P
1775	HVKTC3198YT	T.R	KTC3198Y	Q205	1	EA	KTC3198-Y-AT/PJ
1785	HVKTC3198YT	T.R	KTC3198Y	Q206	1	EA	KTC3198-Y-AT/PJ
1795	HVKRA107MT	T.R. TO-92M	KRA107M	Q207	1	EA	KRA107M-AT/P
1805	HVKRC107MT	T.R. TO-92M	KRC107M	Q208	1	EA	KRC107M-AT/P
1815	HVKRC107MT	T.R. TO-92M	KRC107M	Q209	1	EA	KRC107M-AT/P
1825	HVKRA102MT	T.R. TO-92M	KRA102M	Q210	1	EA	KRA102M-AT/P
1835	HVKRC107MT	T.R. TO-92M	KRC107M	Q211	1	EA	KRC107M-AT/P
1845	HVKRC107MT	T.R. TO-92M	KRC107M	Q212	1	EA	KRC107M-AT/P
1855	HVKRC107MT	T.R. TO-92M	KRC107M	Q213	1	EA	KRC107M-AT/P
1865	HVKRC107MT	T.R. TO-92M	KRC107M	Q214	1	EA	KRC107M-AT/P
1875	HVKRC107MT	T.R. TO-92M	KRC107M	Q215	1	EA	KRC107M-AT/P
1885	HVKRC107MT	T.R. TO-92M	KRC107M	Q216	1	EA	KRC107M-AT/P
1895	HVKRC107MT	T.R. TO-92M	KRC107M	Q217	1	EA	KRC107M-AT/P
1905	HVKRC107MT	T.R. TO-92M	KRC107M	Q218	1	EA	KRC107M-AT/P
1915	HVKRC107MT	T.R. TO-92M	KRC107M	Q219	1	EA	KRC107M-AT/P
1925	HVKRA107MT	T.R. TO-92M	KRA107M	Q220	1	EA	KRA107M-AT/P
1935	HVKRA102MT	T.R. TO-92M	KRA102M	Q221	1	EA	KRA102M-AT/P
1945	HVKRC107MT	T.R. TO-92M	KRC107M	Q222	1	EA	KRC107M-AT/P
1955	HVKTC3198YT	T.R	KTC3198Y	Q223	1	EA	KTC3198-Y-AT/PJ
1965	HVKTC3198YT	T.R	KTC3198Y	Q224	1	EA	KTC3198-Y-AT/PJ
1975	HVKRC107MT	T.R. TO-92M	KRC107M	Q225	1	EA	KRC107M-AT/P
1985	HVKRC107MT	T.R. TO-92M	KRC107M	Q901	1	EA	KRC107M-AT/P
1995	HVKRA102MT	T.R. TO-92M	KRA102M	Q902	1	EA	KRA102M-AT/P
2005	CRD20TJ105T	RES. CARBON (1 MOHM, 5%, 1/5W)	1 MOHM 1/5W J	R201	1	EA	
2015	CRD20TJ223T	RES. CARBON (22 KOHM, 5%, 1/5W)	22 KOHM 1/5W J	R204	1	EA	
2025	CRD20TJ223T	RES. CARBON (22 KOHM, 5%, 1/5W)	22 KOHM 1/5W J	R205	1	EA	
2035	CRD20TJ223T	RES. CARBON (22 KOHM, 5%, 1/5W)	22 KOHM 1/5W J	R206	1	EA	
2045	CRD20TJ100T	RES. CARBON (10 OHM, 5%, 1/5W)	10 OHM 1/5W J	R207	1	EA	
2055	CRD20TJ103T	RES. CARBON (10 KOHM, 5%, 1/5W)	10 KOHM 1/5W J	R208	1	EA	
2065	CRD20TJ102T	RES. CARBON (1 KOHM, 5%, 1/5W)	1 KOHM 1/5W J	R209	1	EA	
2075	CRD20TJ152T	RES. CARBON (1.5 KOHM, 5%, 1/5W)	1.5 KOHM 1/5W J	R210	1	EA	
2085	CRD20TJ182T	RES. CARBON (1.8 KOHM, 5%, 1/5W)	1.8 KOHM 1/5W J	R211	1	EA	
2095	CRD20TJ103T	RES. CARBON (10 KOHM, 5%, 1/5W)	10 KOHM 1/5W J	R212	1	EA	
2105	CRD20TJ153T	RES. CARBON (15 KOHM, 5%, 1/5W)	15 KOHM 1/5W J	R213	1	EA	
2115	CRD20TJ512T	RES. CARBON (5.1 KOHM, 5%, 1/5W)	5.1K OHM J	R214	1	EA	5.1K OHM J
2125	CRD20TJ223T	RES. CARBON (22 KOHM, 5%, 1/5W)	22 KOHM 1/5W J	R215	1	EA	
2135	CRD20TJ104T	RES. CARBON (100 KOHM, 5%, 1/5W)	100 KOHM 1/5W J	R216	1	EA	
2145	CRD20TJ102T	RES. CARBON (1 KOHM, 5%, 1/5W)	1 KOHM 1/5W J	R217	1	EA	
2155	CRD20TJ333T	RES. CARBON (33 KOHM, 5%, 1/5W)	33 KOHM 1/5W J	R218	1	EA	
2165	CRD20TJ222T	RES. CARBON (2.2 KOHM, 5%, 1/5W)	2.2 KOHM 1/5W J	R219	1	EA	
2175	CRD20TJ222T	RES. CARBON (2.2 KOHM, 5%, 1/5W)	2.2 KOHM 1/5W J	R220	1	EA	
2185	CRD20TJ222T	RES. CARBON (2.2 KOHM, 5%, 1/5W)	2.2 KOHM 1/5W J	R221	1	EA	
2195	CRD20TJ103T	RES. CARBON (10 KOHM, 5%, 1/5W)	10 KOHM 1/5W J	R225	1	EA	
2205	CRD20TJ222T	RES. CARBON (2.2 KOHM, 5%, 1/5W)	2.2 KOHM 1/5W J	R226	1	EA	
2215	CRD20TJ221T	RES. CARBON (220 OHM, 5%, 1/5W)	220 OHM 1/5W J	R227	1	EA	
2225	CRD20TJ820T	RES. CARBON (82 OHM, 5%, 1/5W)	82 OHM 1/5W J	R228	1	EA	
2235	CRD20TJ101T	RES. CARBON (100 OHM, 5%, 1/5W)	100 OHM 1/5W J	R229	1	EA	
2245	CRD20TJ330T	RES. CARBON (33 OHM, 5%, 1/5W)	33 OHM 1/5W J	R231	1	EA	
2255	CRD20TJ102T	RES. CARBON (1 KOHM, 5%, 1/5W)	1 KOHM 1/5W J	R232	1	EA	
2265	CRD20TJ102T	RES. CARBON (1 KOHM, 5%, 1/5W)	1 KOHM 1/5W J	R233	1	EA	
2275	CRD20TJ473T	RES. CARBON (47 KOHM, 5%, 1/5W)	47 KOHM 1/5W J	R234	1	EA	
2285	CRD20TJ513T	RES. CARBON (51 KOHM, 5%, 1/5W)	51 KOHM 1/5W J	R235	1	EA	
2295	CRD20TJ332T	RES. CARBON (3.3 KOHM, 5%, 1/5W)	3.3 KOHM 1/5W J	R236	1	EA	
2305	CRD20TJ274T	RES. CARBON (270 KOHM, 5%, 1/5W)	270 KOHM 1/5W J	R237	1	EA	
2315	CRD20TJ332T	RES. CARBON (3.3 KOHM, 5%, 1/5W)	3.3 KOHM 1/5W J	R238	1	EA	
2325	CRD20TJ332T	RES. CARBON (3.3 KOHM, 5%, 1/5W)	3.3 KOHM 1/5W J	R239	1	EA	
2335	CRD20TJ274T	RES. CARBON (270 KOHM, 5%, 1/5W)	270 KOHM 1/5W J	R240	1	EA	
2345	CRD20TJ332T	RES. CARBON (3.3 KOHM, 5%, 1/5W)	3.3 KOHM 1/5W J	R241	1	EA	
2355	CRD20TJ103T	RES. CARBON (10 KOHM, 5%, 1/5W)	10 KOHM 1/5W J	R242	1	EA	
2365	CRD20TJ103T	RES. CARBON (10 KOHM, 5%, 1/5W)	10 KOHM 1/5W J	R243	1	EA	

2375	CRD20TJ103T	RES. CARBON (10 KOHM, 5%, 1/5W)	10 KOHM 1/5W J	R244	1	EA	
2385	CRD20TJ103T	RES. CARBON (10 KOHM, 5%, 1/5W)	10 KOHM 1/5W J	R245	1	EA	
2395	CRD20TJ103T	RES. CARBON (10 KOHM, 5%, 1/5W)	10 KOHM 1/5W J	R246	1	EA	
2405	CRD20TJ103T	RES. CARBON (10 KOHM, 5%, 1/5W)	10 KOHM 1/5W J	R247	1	EA	
2415	CRD20TJ513T	RES. CARBON (51 KOHM, 5%, 1/5W)		R248	1	EA	
2425	CRD20TJ473T	RES. CARBON (47 KOHM, 5%, 1/5W)	47 KOHM 1/5W J	R249	1	EA	
2435	CRD20TJ100T	RES. CARBON (10 OHM, 5%, 1/5W)	10 OHM 1/5W J	R250	1	EA	
2445	CRD20TJ100T	RES. CARBON (10 OHM, 5%, 1/5W)	10 OHM 1/5W J	R251	1	EA	
2455	CRD20TJ274T	RES. CARBON (270 KOHM, 5%, 1/5W)		R252	1	EA	
2465	CRD20TJ273T	RES. CARBON (27 KOHM, 5%, 1/5W)	27 KOHM 1/5W J	R253	1	EA	
2475	CRD20TJ273T	RES. CARBON (27 KOHM, 5%, 1/5W)	27 KOHM 1/5W J	R254	1	EA	
2485	CRD20TJ222T	RES. CARBON (2.2 KOHM, 5%, 1/5W)	2.2 KOHM 1/5W J	R255	1	EA	
2495	CRD20TJ222T	RES. CARBON (2.2 KOHM, 5%, 1/5W)	2.2 KOHM 1/5W J	R256	1	EA	
2505	CRD20TJ274T	RES. CARBON (270 KOHM, 5%, 1/5W)		R257	1	EA	
2515	CRD20TJ100T	RES. CARBON (10 OHM, 5%, 1/5W)	10 OHM 1/5W J	R258	1	EA	
2525	CRD20TJ100T	RES. CARBON (10 OHM, 5%, 1/5W)	10 OHM 1/5W J	R259	1	EA	
2535	CRD20TJ105T	RES. CARBON (1 MOHM, 5%, 1/5W)	1 MOHM 1/5W J	R260	1	EA	
2545	CRD20TJ392T	RES. CARBON (3.9 KOHM, 5%, 1/5W)	3.9 KOHM 1/5W J	R261	1	EA	
2555	CRD20TJ105T	RES. CARBON (1 MOHM, 5%, 1/5W)	1 MOHM 1/5W J	R262	1	EA	
2565	CRD20TJ392T	RES. CARBON (3.9 KOHM, 5%, 1/5W)	3.9 KOHM 1/5W J	R263	1	EA	
2575	CRD20TJ102T	RES. CARBON (1 KOHM, 5%, 1/5W)	1 KOHM 1/5W J	R264	1	EA	
2585	CRD20TJ473T	RES. CARBON (47 KOHM, 5%, 1/5W)	47 KOHM 1/5W J	R265	1	EA	
2595	CRD20TJ223T	RES. CARBON (22 KOHM, 5%, 1/5W)	22 KOHM 1/5W J	R266	1	EA	
2605	CRD20TJ473T	RES. CARBON (47 KOHM, 5%, 1/5W)	47 KOHM 1/5W J	R267	1	EA	
2615	CRD20TJ102T	RES. CARBON (1 KOHM, 5%, 1/5W)	1 KOHM 1/5W J	R268	1	EA	
2625	CRD20TJ100T	RES. CARBON (10 OHM, 5%, 1/5W)	10 OHM 1/5W J	R269	1	EA	
2635	CRD20TJ100T	RES. CARBON (10 OHM, 5%, 1/5W)	10 OHM 1/5W J	R270	1	EA	
2645	CRD20TJ224T	RES. CARBON (220 KOHM, 5%, 1/5W)	220 KOHM 1/5W J	R271	1	EA	
2655	CRD20TJ223T	RES. CARBON (22 KOHM, 5%, 1/5W)	22 KOHM 1/5W J	R272	1	EA	
2665	CRD20TJ272T	RES. CARBON (2.7 KOHM, 5%, 1/5W)	2.7 KOHM 1/5W J	R273	1	EA	
2675	CRD20TJ103T	RES. CARBON (10 KOHM, 5%, 1/5W)	10 KOHM 1/5W J	R274	1	EA	
2685	CRD20TJ102T	RES. CARBON (1 KOHM, 5%, 1/5W)	1 KOHM 1/5W J	R275	1	EA	
2695	CRD20TJ473T	RES. CARBON (47 KOHM, 5%, 1/5W)	47 KOHM 1/5W J	R276	1	EA	
2705	CRD20TJ473T	RES. CARBON (47 KOHM, 5%, 1/5W)	47 KOHM 1/5W J	R277	1	EA	
2715	CRD20TJ103T	RES. CARBON (10 KOHM, 5%, 1/5W)	10 KOHM 1/5W J	R279	1	EA	
2725	CRD20TJ103T	RES. CARBON (10 KOHM, 5%, 1/5W)	10 KOHM 1/5W J	R280	1	EA	
2735	CRD20TJ101T	RES. CARBON (100 OHM, 5%, 1/5W)	100 OHM 1/5W J	R281	1	EA	
2745	CRD20TJ102T	RES. CARBON (1 KOHM, 5%, 1/5W)	1 KOHM 1/5W J	R282	1	EA	
2755	CRD20TJ103T	RES. CARBON (10 KOHM, 5%, 1/5W)	10 KOHM 1/5W J	R283	1	EA	
2765	CRD20TJ333T	RES. CARBON (33 KOHM, 5%, 1/5W)	33 KOHM 1/5W J	R284	1	EA	
2775	CRD20TJ103T	RES. CARBON (10 KOHM, 5%, 1/5W)	10 KOHM 1/5W J	R902	1	EA	
2785	CST1A0122T	SW. TACT SKHV10910G	SKHV10910G	S201	1	EA	00802-0005
2795	CST1A0122T	SW. TACT SKHV10910G	SKHV10910G	S202	1	EA	00802-0005
2805	CST1A0122T	SW. TACT SKHV10910G	SKHV10910G	S203	1	EA	00802-0005
2815	CST1A0122T	SW. TACT SKHV10910G	SKHV10910G	S204	1	EA	00802-0005
2824	CQB1D022	A-ROHS/LABEL,SERIAL			1	EA	
2834	KLZ9H001Z	BEAD, CORE		BD91	1	EA	
2844	CMD1A387	BRACKET, PCB		BK21	1	EA	ALL MODEL
2854	CMD1A387	BRACKET, PCB		BK22	1	EA	ALL MODEL
2864	CMD1A569	BRACKET, PCB		BK71	1	EA	
2874	CMD1A569	BRACKET, PCB		BK72	1	EA	
2884	CWB1B2072204T	WIRE ASSY (7PIN, 2.0MM, 220MM, FLAT)		BN21	1	EA	
2894	CWB1B2151504T	WIRE ASSY (15PIN, 2.0MM, 150MM, FLAT)		BN22	1	EA	
2904	CWB1C90728047001	WIRE ASSY (SHIELD, 7PIN, 2.0MM, 280MM)		BN23	1	EA	
2914	CWB1C90310047001	WIRE ASSY (SHIELD, 3PIN, 2.0MM, 100MM)		BN24	1	EA	
2924	CWB1C90535047001	WIRE ASSY (SHIELD, 5PIN, 2.0MM, 350MM)		BN25	1	EA	
2934	CWB1D20905058	WIRE ASSY (9PIN, 2.5MM, 50MM)		BN71	1	EA	
2944	CWB1D20905058	WIRE ASSY (9PIN, 2.5MM, 50MM)		BN72	1	EA	
2954	CWB4D234450VZ	WIRE ASSY (2PIN, 3.96MM, 450MM)		BN91	1	EA	
2964	CJP09GA15SZ	WAFER, CARD CABLE		CN21	1	EA	12511HS-09
2974	CJP07HA37ZM	WAFER		CN22	1	EA	42140-2207
2984	CJP07HA37ZM	WAFER		CN23	1	EA	42140-2207
2994	CJP03GI236ZM	LOCKING TYPE, STRAIGHT WAFER, 2MM		CN24	1	EA	A2008WV0-3P
3004	CJP07GI236ZM	LOCKING TYPE, STRAIGHT WAFER, 2MM		CN25	1	EA	A2008WV0-7P
3014	CJP03GA90ZY	WAFER		CN71	1	EA	
3024	CJP02KA060ZY	WAFER		CN91	1	EA	
3034	CJP02GA89ZM	WAFER		CN92	1	EA	35328-0260
3044	CJP02KA060ZY	WAFER		CN93	1	EA	
3054	CJP07GI236ZM	LOCKING TYPE, STRAIGHT WAFER, 2MM		CN95	1	EA	A2008WV0-7P
3064	CCET75VPKPO103NK	CAP. ELECT		C706	1	EA	
3074	CCET75VPKPO103NK	CAP. ELECT		C707	1	EA	
3084	CCQF2E104KZC	CAP. X2		C902	1	EA	DMPX104K2SP100B
3094	KCKDKS472ME	CAP. CERAMIC (X1/Y2/SC)	0.0047UF/2.5KV	C903	1	EA	0.0047UF/2.5KV
3104	CCEA1EH102E	CAP. ELECT	1000UF 25V	C909	1	EA	25V 1000UF 10*2
3114	CVDGBJ1506BGA	M80 DIODE HEATSINK ASSY (CMY4A138)		D701	1	EA	
3125	CMY4A138	HEATSINK, DIODE	H60		1	EA	HK3380/3480
3135	CTB3+8JR	SCREW			1	EA	00M51260308M0
3145	HVDGBJ1506	DIODE, BRIDGE. (600V)	GBJ1506		1	EA	GBJ1506
3154	CMC1A111	PLATE, EARTH		ET91	1	EA	ALL MODEL
3164	CVIANAM1521A	I.C. U-COM A-R650 (CVISTM32F101R8T6)		IC21	1	EA	
3175	CVISTM32F101R8T6	I.C. FLASH MCU (32BIT,64KB)		IC21	1	EA	STM32F101R8T6
3184	SENSR18103TE5B	SENSOR, REMOCON		IC22	1	EA	
3194	SVIBA335COFF	I.C. REGULATOR (3.3V SMD Type)	ROHM 3.3V SMD	IC23	1	EA	
3204	HVICD4066BM96	I.C. CD4066BM96 SWITCH	CD4066BM96	IC24	1	EA	CD4066BM96
3214	CVIML61C183PR	I.C. RESET (1.8V, SOT-89)	ML61C183PRG	IC25	1	EA	ML61C183PR
3224	HVINJM4556AL	I.C. HEADPHONE (JRC)	NJM4556AL	IC26	1	EA	NJM4556AL
3234	HVINJM4556AL	I.C. HEADPHONE (JRC)	NJM4556AL	IC27	1	EA	NJM4556AL
3244	HVINJM4556AL	I.C. HEADPHONE (JRC)	NJM4556AL	IC28	1	EA	NJM4556AL
3254	CVINJU7223F50	I.C. REGULATOR (5V, TO-220F)	NJU7223F50	IC91	1	EA	NJU7223F50-TE1
3264	CJJ2E026Z	JACK, HEADPHONE (SILVER PLATE)		JK21	1	EA	PJ-612A-51
3274	CJJ2E026Z	JACK, HEADPHONE (SILVER PLATE)		JK22	1	EA	PJ-612A-51
3284	CWE8202180AR	1P RING WIRE (180mm, #18, 300V)		JW21	1	EA	
3294	CWE8202180AR	1P RING WIRE (180mm, #18, 300V)		JW22	1	EA	
3304	CWE8202060AR	WIRE ASSY		JW23	1	EA	JW01
3314	CJJ7A021Z	JACK, AC OUTLET	A302D0060P	OL91	1	EA	A302D0060P
3324	CSL1E002ZE	RELAY, POWER	G5PA-1 (DC 6V)	RL91	1	EA	G5PA-1 DC6V
3334	CRD50FJ123T	RES. CARBON		R701	1	EA	
3344	CRD50FJ123T	RES. CARBON		R702	1	EA	
3354	CSR2A034Z	VR, ENCODER		SW21	1	EA	
3364	KSH2B003Z	SW, PUSH (VERTICAL) CN		SW22	1	EA	220014
3374	KSH2B003Z	SW, PUSH (VERTICAL) CN		SW23	1	EA	220014
3384	HS2B017Z	SW, PUSH	SPUL19X1M071	SW24	1	EA	SPUL19X1M071
3394	KSH1A001VZ	SW, PUSH (MOMS) CN	JPP1197CSA64	SW91	1	EA	
3404	CLT61009ZE	TRANS. SUB CD6002/N		T901	1	EA	
3414	CVV2X04B503Z	RES. VARIABLE TONE		VR22	1	EA	EWCEW6F02B54
3424	CVV1U01W104Y	RES. VARIABLE TONE		VR23	1	EA	
3434	CVV2X04B503Z	RES. VARIABLE TONE		VR24	1	EA	EWCEW6F02B54
3444	CVV1U01B503Y	RES. VARIABLE TONE		VR25	1	EA	
3454	HOX08000E160C	CRYSTAL 8MHz		X201	1	EA	
3463	COP12282B	A-R650 MAIN PCB ASS'Y			1	EA	
3474	CIP12282B	A-R650 MAIN PCB AUTO ASS'Y			1	EA	
3485	CIP12282BSMD	A-R650 MAIN PCB SMD ASS'Y			1	EA	
3496	CUP12282Z	PCB,MAIN A-R650 (330X247,FR1/1)			1	EA	
3506	CCUS1H104KC	CAP. CHIP (1608, 50V/0.1uF)	0.1UF 50V K	C301	1	EA	
3516	CCUS1H180JA	CAP. CHIP (1608, 50V/18 PF)	18 PF 50V J	C302	1	EA	
3526	CCUS1H180JA	CAP. CHIP (1608, 50V/18 PF)	18 PF 50V J	C303	1	EA	
3536	CCUS1H151JA	CAP. CHIP (1608, 50V/150 PF)	150 PF 50V J	C304	1	EA	
3546	CCUS1H151JA	CAP. CHIP (1608, 50V/150 PF)	150 PF 50V J	C305	1	EA	
3556	CCUS1H220JA	CAP. CHIP (1608, 50V/22 PF)	22 PF 50V J	C306	1	EA	
3566	CCUS1H220JA	CAP. CHIP (1608, 50V/22 PF)	22 PF 50V J	C307	1	EA	
3576	CCUS1H104KC	CAP. CHIP (1608, 50V/0.1uF)	0.1UF 50V K	C316	1	EA	

3586	CCUS1H104KC	CAP, CHIP (1608, 50V/0.1uF)	0.1UF 50V K	C322	1	EA	
3596	CCUS1H101JA	CAP, CHIP (1608, 50V/100 PF)	100 PF 50V J	C324	1	EA	
3606	CCUS1H101JA	CAP, CHIP (1608, 50V/100 PF)	100 PF 50V J	C325	1	EA	
3616	CCUS1H104KC	CAP, CHIP (1608, 50V/0.1uF)	0.1UF 50V K	C326	1	EA	
3626	CCUS1H101JA	CAP, CHIP (1608, 50V/100 PF)	100 PF 50V J	C327	1	EA	
3636	CCUS1H101JA	CAP, CHIP (1608, 50V/100 PF)	100 PF 50V J	C328	1	EA	
3646	CCUS1H101JA	CAP, CHIP (1608, 50V/100 PF)	100 PF 50V J	C329	1	EA	
3656	CCUS1H101JA	CAP, CHIP (1608, 50V/100 PF)	100 PF 50V J	C330	1	EA	
3666	CCUS1H101JA	CAP, CHIP (1608, 50V/100 PF)	100 PF 50V J	C331	1	EA	
3676	CCUS1H101JA	CAP, CHIP (1608, 50V/100 PF)	100 PF 50V J	C332	1	EA	
3686	CCUS1H101JA	CAP, CHIP (1608, 50V/100 PF)	100 PF 50V J	C335	1	EA	
3696	CCUS1H101JA	CAP, CHIP (1608, 50V/100 PF)	100 PF 50V J	C336	1	EA	
3706	CCUS1H101JA	CAP, CHIP (1608, 50V/100 PF)	100 PF 50V J	C337	1	EA	
3716	CCUS1H101JA	CAP, CHIP (1608, 50V/100 PF)	100 PF 50V J	C338	1	EA	
3726	CCUS1H101JA	CAP, CHIP (1608, 50V/100 PF)	100 PF 50V J	C341	1	EA	
3736	CCUS1H101JA	CAP, CHIP (1608, 50V/100 PF)	100 PF 50V J	C342	1	EA	
3746	CCUS1H104KC	CAP, CHIP (1608, 50V/0.1uF)	0.1UF 50V K	C343	1	EA	
3756	CCUS1H104KC	CAP, CHIP (1608, 50V/0.1uF)	0.1UF 50V K	C345	1	EA	
3766	CCUS1H104KC	CAP, CHIP (1608, 50V/0.1uF)	0.1UF 50V K	C351	1	EA	
3776	CCUS1H104KC	CAP, CHIP (1608, 50V/0.1uF)	0.1UF 50V K	C353	1	EA	
3786	CCUS1H104KC	CAP, CHIP (1608, 50V/0.1uF)	0.1UF 50V K	C364	1	EA	
3796	CCUS1H104KC	CAP, CHIP (1608, 50V/0.1uF)	0.1UF 50V K	C365	1	EA	
3806	CCUS1H104KC	CAP, CHIP (1608, 50V/0.1uF)	0.1UF 50V K	C366	1	EA	
3816	CCUS1H104KC	CAP, CHIP (1608, 50V/0.1uF)	0.1UF 50V K	C367	1	EA	
3826	CCUS1H104KC	CAP, CHIP (1608, 50V/0.1uF)	0.1UF 50V K	C368	1	EA	
3836	CCUS1H104KC	CAP, CHIP (1608, 50V/0.1uF)	0.1UF 50V K	C369	1	EA	
3846	CCUS1H104KC	CAP, CHIP (1608, 50V/0.1uF)	0.1UF 50V K	C370	1	EA	
3856	CCUS1H101JA	CAP, CHIP (1608, 50V/100 PF)	100 PF 50V J	C371	1	EA	
3866	CCUS1H101JA	CAP, CHIP (1608, 50V/100 PF)	100 PF 50V J	C372	1	EA	
3876	CCUS1H104KC	CAP, CHIP (1608, 50V/0.1uF)	0.1UF 50V K	C501	1	EA	
3886	CCUS1H104KC	CAP, CHIP (1608, 50V/0.1uF)	0.1UF 50V K	C502	1	EA	
3896	CCUS1H104KC	CAP, CHIP (1608, 50V/0.1uF)	0.1UF 50V K	C525	1	EA	
3906	CCUS1H223KC	CAP, CHIP (1608, 50V/0.022uF)	0.022UF 50V K	C545	1	EA	
3916	CCUS1H473KC	CAP, CHIP (1608, 50V/0.047uF)	0.047UF 50V K	C546	1	EA	
3926	CCUS1H103KC	CAP, CHIP (1608, 50V/0.01uF)	0.01UF 50V K	C548	1	EA	
3936	CCUS1H223KC	CAP, CHIP (1608, 50V/0.022uF)	0.022UF 50V K	C550	1	EA	1608 SIZE
3946	CCUS1H104KC	CAP, CHIP (1608, 50V/0.1uF)	0.1UF 50V K	C623	1	EA	
3956	CCUS1H104KC	CAP, CHIP (1608, 50V/0.1uF)	0.1UF 50V K	C720	1	EA	
3966	CCUS1H104KC	CAP, CHIP (1608, 50V/0.1uF)	0.1UF 50V K	C721	1	EA	
3976	CCUS1H104KC	CAP, CHIP (1608, 50V/0.1uF)	0.1UF 50V K	C724	1	EA	
3986	CCUS1H104KC	CAP, CHIP (1608, 50V/0.1uF)	0.1UF 50V K	C725	1	EA	
3996	CCUS1H104KC	CAP, CHIP (1608, 50V/0.1uF)	0.1UF 50V K	C728	1	EA	
4006	CCUS1H104KC	CAP, CHIP (1608, 50V/0.1uF)	0.1UF 50V K	C729	1	EA	
4016	CCUS1H104KC	CAP, CHIP (1608, 50V/0.1uF)	0.1UF 50V K	C730	1	EA	
4026	CCUS1H104KC	CAP, CHIP (1608, 50V/0.1uF)	0.1UF 50V K	C732	1	EA	
4036	CVDPG05GBUSCRTPK	DIODE, ESD PROTECTION USC	PG05GBUSC-RTK/P , KECC	D302	1	EA	PG05GBUSC-RTK/P
4046	CVDPG05GBUSCRTPK	DIODE, ESD PROTECTION USC	PG05GBUSC-RTK/P , KECC	D304	1	EA	PG05GBUSC-RTK/P
4056	CVDPG05GBUSCRTPK	DIODE, ESD PROTECTION USC	PG05GBUSC-RTK/P , KECC	D305	1	EA	PG05GBUSC-RTK/P
4066	CVDPG05GBUSCRTPK	DIODE, ESD PROTECTION USC	PG05GBUSC-RTK/P , KECC	D307	1	EA	PG05GBUSC-RTK/P
4076	HVINJM2068MDTE1	I.C. OP AMP (JRC)	NJM2068MD-TE1	IC31	1	EA	NJM2068MD-TE1
4086	CRJ10DJ563T	RES, CHIP (56 KOHM, 5%, 1608)	56K	L306	1	EA	
4096	HVTKRA107S	T.R, CHIP, SOT-23		Q522	1	EA	KRA107S-RTK/P
4106	HVTKRA107S	T.R, CHIP, SOT-23		Q526	1	EA	KRA107S-RTK/P
4116	HVTKRA107S	T.R, CHIP, SOT-23		Q527	1	EA	KRA107S-RTK/P
4126	HVTKRA107S	T.R, CHIP, SOT-23		Q618	1	EA	KRA107S-RTK/P
4136	CRJ10DJ563T	RES, CHIP (56 KOHM, 5%, 1608)	56K	R305	1	EA	
4146	CRJ10DJ224T	RES, CHIP (220 KOHM, 5%, 1608)		R311	1	EA	
4156	CRJ10DJ224T	RES, CHIP (220 KOHM, 5%, 1608)		R317	1	EA	
4166	CRJ10DJ102T	RES, CHIP (1 KOHM, 5%, 1608)	1608 SIZE	R317	1	EA	00200-0094
4176	CRJ10DJ102T	RES, CHIP (1 KOHM, 5%, 1608)	1608 SIZE	R319	1	EA	00200-0094
4186	CRJ10DJ472T	RES, CHIP (4.7 KOHM, 5%, 1608)	1608 SIZE	R320	1	EA	00200-0087
4196	CRJ10DJ472T	RES, CHIP (4.7 KOHM, 5%, 1608)	1608 SIZE	R321	1	EA	00200-0087
4206	CRJ10DJ473T	RES, CHIP (47 KOHM, 5%, 1608)	1608 SIZE	R322	1	EA	00200-0185
4216	CRJ10DJ473T	RES, CHIP (47 KOHM, 5%, 1608)	1608 SIZE	R323	1	EA	00200-0185
4226	CRJ10DJ102T	RES, CHIP (1 KOHM, 5%, 1608)	1608 SIZE	R324	1	EA	00200-0094
4236	CRJ10DJ102T	RES, CHIP (1 KOHM, 5%, 1608)	1608 SIZE	R325	1	EA	00200-0094
4246	CRJ10DJ473T	RES, CHIP (47 KOHM, 5%, 1608)	1608 SIZE	R326	1	EA	00200-0185
4256	CRJ10DJ473T	RES, CHIP (47 KOHM, 5%, 1608)	1608 SIZE	R327	1	EA	00200-0185
4266	CRJ10DJ102T	RES, CHIP (1 KOHM, 5%, 1608)	1608 SIZE	R328	1	EA	00200-0094
4276	CRJ10DJ102T	RES, CHIP (1 KOHM, 5%, 1608)	1608 SIZE	R329	1	EA	00200-0094
4286	CRJ10DJ473T	RES, CHIP (47 KOHM, 5%, 1608)	1608 SIZE	R330	1	EA	00200-0185
4296	CRJ10DJ473T	RES, CHIP (47 KOHM, 5%, 1608)	1608 SIZE	R331	1	EA	00200-0185
4306	CRJ10DJ102T	RES, CHIP (1 KOHM, 5%, 1608)	1608 SIZE	R336	1	EA	00200-0094
4316	CRJ10DJ102T	RES, CHIP (1 KOHM, 5%, 1608)	1608 SIZE	R337	1	EA	00200-0094
4326	CRJ10DJ473T	RES, CHIP (47 KOHM, 5%, 1608)	1608 SIZE	R338	1	EA	00200-0185
4336	CRJ10DJ473T	RES, CHIP (47 KOHM, 5%, 1608)	1608 SIZE	R339	1	EA	00200-0185
4346	CRJ10DJ473T	RES, CHIP (47 KOHM, 5%, 1608)	1608 SIZE	R340	1	EA	00200-0185
4356	CRJ10DJ473T	RES, CHIP (47 KOHM, 5%, 1608)	1608 SIZE	R341	1	EA	00200-0185
4366	CRJ10DJ103T	RES, CHIP (10 KOHM, 5%, 1608)	1608 SIZE	R344	1	EA	00200-0096
4376	CRJ10DJ103T	RES, CHIP (10 KOHM, 5%, 1608)	1608 SIZE	R345	1	EA	00200-0096
4386	CRJ10DJ102T	RES, CHIP (1 KOHM, 5%, 1608)	1608 SIZE	R346	1	EA	00200-0094
4396	CRJ10DJ102T	RES, CHIP (1 KOHM, 5%, 1608)	1608 SIZE	R347	1	EA	00200-0094
4406	CRJ10DJ473T	RES, CHIP (47 KOHM, 5%, 1608)	1608 SIZE	R348	1	EA	00200-0185
4416	CRJ10DJ473T	RES, CHIP (47 KOHM, 5%, 1608)	1608 SIZE	R349	1	EA	00200-0185
4426	CRJ10DJ101T	RES, CHIP (100 OHM, 5%, 1608)	1608 SIZE	R350	1	EA	00200-0100
4436	CRJ10DJ101T	RES, CHIP (100 OHM, 5%, 1608)	1608 SIZE	R351	1	EA	00200-0100
4446	CRJ10DJ472T	RES, CHIP (4.7 KOHM, 5%, 1608)	1608 SIZE	R352	1	EA	00200-0087
4456	CRJ10DJ472T	RES, CHIP (4.7 KOHM, 5%, 1608)	1608 SIZE	R353	1	EA	00200-0087
4466	CRJ10DJ222T	RES, CHIP (2.2 KOHM, 5%, 1608)	1608 SIZE	R354	1	EA	00200-0142
4476	CRJ10DJ222T	RES, CHIP (2.2 KOHM, 5%, 1608)	1608 SIZE	R355	1	EA	00200-0142
4486	CRJ10DJ222T	RES, CHIP (2.2 KOHM, 5%, 1608)	1608 SIZE	R356	1	EA	00200-0142
4496	CRJ10DJ102T	RES, CHIP (1 KOHM, 5%, 1608)	1608 SIZE	R375	1	EA	00200-0094
4506	CRJ10DJ102T	RES, CHIP (1 KOHM, 5%, 1608)	1608 SIZE	R376	1	EA	00200-0094
4516	CRJ10DJ473T	RES, CHIP (47 KOHM, 5%, 1608)	1608 SIZE	R377	1	EA	00200-0185
4526	CRJ10DJ473T	RES, CHIP (47 KOHM, 5%, 1608)	1608 SIZE	R378	1	EA	00200-0185
4536	CRJ10DJ472T	RES, CHIP (4.7 KOHM, 5%, 1608)	1608 SIZE	R504	1	EA	00200-0087
4546	CRJ10DJ224T	RES, CHIP (220 KOHM, 5%, 1608)		R505	1	EA	
4556	CRJ10DJ472T	RES, CHIP (4.7 KOHM, 5%, 1608)	1608 SIZE	R506	1	EA	00200-0087
4566	CRJ10DJ472T	RES, CHIP (4.7 KOHM, 5%, 1608)	1608 SIZE	R507	1	EA	00200-0087
4576	CRJ10DJ224T	RES, CHIP (220 KOHM, 5%, 1608)		R508	1	EA	
4586	CRJ10DJ271T	RES, CHIP (270 OHM, 5%, 1608)	1608 SIZE	R509	1	EA	1608 SIZE
4596	CRJ10DJ271T	RES, CHIP (270 OHM, 5%, 1608)	1608 SIZE	R510	1	EA	1608 SIZE
4606	CRJ10DJ820T	RES, CHIP (82 OHM, 5%, 1608)	1608 SIZE	R546	1	EA	1608 SIZE
4616	CRJ10DJ103T	RES, CHIP (10 KOHM, 5%, 1608)	1608 SIZE	R559	1	EA	00200-0096
4626	CRJ10DJ222T	RES, CHIP (2.2 KOHM, 5%, 1608)	1608 SIZE	R560	1	EA	00200-0142
4636	CRJ10DJ692T	RES, CHIP (6.8 KOHM, 5%, 1608)	1608 SIZE	R561	1	EA	1608 SIZE
4646	CRJ10DJ471T	RES, CHIP (470 OHM, 5%, 1608)	1608 SIZE	R562	1	EA	00200-0088
4656	CRJ10DJ473T	RES, CHIP (47 KOHM, 5%, 1608)	1608 SIZE	R563	1	EA	00200-0185
4666	CRJ10DJ223T	RES, CHIP (22 KOHM, 5%, 1608)	1608 SIZE	R564	1	EA	00200-0093
4676	CRJ10DJ333T	RES, CHIP (33 KOHM, 5%, 1608)	1608 SIZE	R566	1	EA	1608 SIZE
4686	CRJ10DJ103T	RES, CHIP (10 KOHM, 5%, 1608)	1608 SIZE	R569	1	EA	00200-0096
4696	CRJ10DJ332T	RES, CHIP (3.3 KOHM, 5%, 1608)	1608 SIZE	R570	1	EA	00200-0105
4706	CRJ10DJ103T	RES, CHIP (10 KOHM, 5%, 1608)	1608 SIZE	R571	1	EA	00200-0096
4716	CRJ10DJ103T	RES, CHIP (10 KOHM, 5%, 1608)	1608 SIZE	R572	1	EA	00200-0096
4726	CRJ10DJ473T	RES, CHIP (47 KOHM, 5%, 1608)	1608 SIZE	R573	1	EA	00200-0185
4736	CRJ10DJ473T	RES, CHIP (47 KOHM, 5%, 1608)	1608 SIZE	R574	1	EA	00200-0185
4746	CRJ10DJ151T	RES, CHIP (150 OHM, 5%, 1608)	1608 SIZE	R575	1	EA	
4756	CRJ10DJ333T	RES, CHIP (33 KOHM, 5%, 1608)	1608 SIZE	R637	1	EA	1608 SIZE
4766	CRJ10DJ820T	RES, CHIP (82 OHM, 5%, 1608)	1608 SIZE	R638	1	EA	1608 SIZE
4776	CRJ10DJ102T	RES, CHIP (1 KOHM, 5%, 1608)	1608 SIZE	R707	1	EA	00200-0094
4786	CRJ10DJ102T	RES, CHIP (1 KOHM, 5%, 1608)	1608 SIZE	R708	1	EA	00200-0094

4795	CCEA1HH100T	CAP. ELECT	10UF 50V	C308	1	EA	00107-1045
4805	CCEA1HH100T	CAP. ELECT	10UF 50V	C309	1	EA	00107-1045
4815	HCQ1H102JZT	CAP. MYLAR	1000 PF 50V J	C310	1	EA	HPE102JZAP050T
4825	CCEA1EH470T	CAP. ELECT	47UF 25V	C311	1	EA	25V 47UF 5*11
4835	HCQ1H1H562JZT	CAP. MYLAR	5600 PF 50V J	C312	1	EA	HPE562JZAP050T
4845	HCQ1H1H223JZT	CAP. MYLAR	0.022UF 50V J	C313	1	EA	HPE223JZAP050T
4855	CCEA1HH100T	CAP. ELECT	10UF 50V	C314	1	EA	00107-1045
4865	CCEA1EH470T	CAP. ELECT	47UF 25V	C315	1	EA	25V 47UF 5*11
4875	HCQ1H102JZT	CAP. MYLAR	1000 PF 50V J	C317	1	EA	HPE102JZAP050T
4885	HCQ1H1H562JZT	CAP. MYLAR	5600 PF 50V J	C318	1	EA	HPE562JZAP050T
4895	HCQ1H1H223JZT	CAP. MYLAR	0.022UF 50V J	C319	1	EA	HPE223JZAP050T
4905	CCEA1EH470T	CAP. ELECT	47UF 25V	C320	1	EA	25V 47UF 5*11
4915	CCEA1EH470T	CAP. ELECT	47UF 25V	C321	1	EA	25V 47UF 5*11
4925	CCEA1HH100T	CAP. ELECT	10UF 50V	C323	1	EA	00107-1045
4935	CCEA1HH100T	CAP. ELECT	10UF 50V	C333	1	EA	00107-1045
4945	CCEA1HH100T	CAP. ELECT	10UF 50V	C334	1	EA	00107-1045
4955	CCEA1HH100T	CAP. ELECT	10UF 50V	C339	1	EA	00107-1045
4965	CCEA1HH100T	CAP. ELECT	10UF 50V	C340	1	EA	00107-1045
4975	CCEA1EH101T	CAP. ELECT	100UF 25V	C344	1	EA	
4985	CCEA1EH101T	CAP. ELECT	100UF 25V	C346	1	EA	
4995	CCEA1EH101T	CAP. ELECT	100UF 25V	C350	1	EA	
5005	CCEA1EH101T	CAP. ELECT	100UF 25V	C352	1	EA	
5015	CCEA1HH100T	CAP. ELECT	10UF 50V	C354	1	EA	00107-1045
5025	CCBS1H220JCT	CAP. CERAMIC (22 PF/50V)	CH UP025CH220J-A-B Z	C355	1	EA	CH UP025CH220J-
5035	CCEA1HH100T	CAP. ELECT	10UF 50V	C356	1	EA	00107-1045
5045	CCBS1H220JCT	CAP. CERAMIC (22 PF/50V)	CH UP025CH220J-A-B Z	C357	1	EA	CH UP025CH220J-
5055	CCEA1HH100T	CAP. ELECT	10UF 50V	C358	1	EA	00107-1045
5065	CCEA1HH100T	CAP. ELECT	10UF 50V	C359	1	EA	00107-1045
5075	CCEA1HH100T	CAP. ELECT	10UF 50V	C503	1	EA	00107-1045
5085	CCBS1H391KBT	CAP. CERAMIC (390 PF/50V)	CH UP025 B391K-A-B Z	C504	1	EA	CH UP025 B391K-
5095	CCEA1HH1R0T	CAP. ELECT	1UF 50V	C505	1	EA	00107-1015
5105	CCBS1H120JCT	CAP. CERAMIC (12 PF/50V)	CH UP025CH120J-A-B Z	C506	1	EA	CH UP025CH120J-
5115	CCBS1H560JT	CAP. CERAMIC (56 PF/50V)	CH UP025SL560J-A-B Z	C507	1	EA	CH UP025SL560J-
5125	CCBS1H221KBT	CAP. CERAMIC (220 PF/50V)	CH UP025 B221K-A-B Z	C508	1	EA	CH UP025 B221K-
5135	CCBS1H561KBT	CAP. CERAMIC (560 PF/50V)	CH UP025 B561K-A-B Z	C509	1	EA	CH UP025 B561K-
5145	HCEA2AU100T	CAP. ELECT	10UF 50V	C510	1	EA	SMS 100V 10UF 6
5155	CCBS1H101KBT	CAP. CERAMIC (100 PF/50V)	CH UP025 B101K-A-B Z	C511	1	EA	CH UP025 B101K-
5165	CCEA1HH470T	CAP. ELECT	47UF 50V	C512	1	EA	00107-1031
5175	CCBS1H100JCT	CAP. CERAMIC (10 PF/50V)	CH UP025CH100J-A-B Z	C513	1	EA	CH UP025CH100J-
5185	CCCT1H030CC	CAP. CERAMIC	3 PF 50V C	C514	1	EA	CCC 1H 030C 04
5195	CCEA1EH470T	CAP. ELECT	47UF 25V	C515	1	EA	25V 47UF 5*11
5205	HCEA2AU100T	CAP. ELECT	10UF 50V	C516	1	EA	SMS 100V 10UF 6
5215	CCBS1H101KBT	CAP. CERAMIC (100 PF/50V)	CH UP025 B101K-A-B Z	C517	1	EA	CH UP025 B101K-
5225	CCEA1HH470T	CAP. ELECT	47UF 50V	C518	1	EA	00107-1031
5235	CCEA1EH470T	CAP. ELECT	47UF 25V	C519	1	EA	25V 47UF 5*11
5245	CCEA1HH470T	CAP. ELECT	47UF 50V	C520	1	EA	00107-1031
5255	CCBS1H220JCT	CAP. CERAMIC (22 PF/50V)	CH UP025CH220J-A-B Z	C521	1	EA	CH UP025CH220J-
5265	CCBS1H220JCT	CAP. CERAMIC (22 PF/50V)	CH UP025CH220J-A-B Z	C522	1	EA	CH UP025CH220J-
5275	CCEA1HH470T	CAP. ELECT	4.7UF 50V	C523	1	EA	00107-1019
5285	HCQ1H1H473JZT	CAP. MYLAR	0.047UF 50V J	C524	1	EA	HPE473JZAP050T
5295	HCQ1H102JZT	CAP. MYLAR	1000 PF 50V J	C526	1	EA	HPE102JZAP050T
5305	HCQ1H102JZT	CAP. MYLAR	1000 PF 50V J	C527	1	EA	HPE102JZAP050T
5315	HCQ1H1H473JZT	CAP. MYLAR	0.047UF 50V J	C528	1	EA	HPE473JZAP050T
5325	HCQ1H1H473JZT	CAP. MYLAR	0.047UF 50V J	C529	1	EA	HPE473JZAP050T
5335	HCQ1H103JZT	CAP. MYLAR	0.01UF 50V J	C530	1	EA	HPE103JZAP050T
5345	HCQ1H1H472JZT	CAP. MYLAR	4700 PF 50V J	C531	1	EA	HPE472JZAP050T
5355	HCQ1H103JZT	CAP. MYLAR	0.01UF 50V J	C532	1	EA	HPE103JZAP050T
5365	HCQ1H1H472JZT	CAP. MYLAR	4700 PF 50V J	C543	1	EA	HPE472JZAP050T
5375	CCEA1CH471T	CAP. ELECT	47UF 16V	C544	1	EA	
5385	CCEA1EH470T	CAP. ELECT	47UF 25V	C547	1	EA	25V 47UF 5*11
5395	CCEA1CH101T	CAP. ELECT	100UF 16V	C549	1	EA	00107-1003
5405	CCEA1EH470T	CAP. ELECT	47UF 25V	C551	1	EA	25V 47UF 5*11
5415	CCEA1HH100T	CAP. ELECT	10UF 50V	C601	1	EA	00107-1045
5425	CCBS1H391KBT	CAP. CERAMIC (390 PF/50V)	CH UP025 B391K-A-B Z	C602	1	EA	CH UP025 B391K-
5435	CCEA1HH1R0T	CAP. ELECT	1UF 50V	C603	1	EA	00107-1015
5445	CCBS1H120JCT	CAP. CERAMIC (12 PF/50V)	CH UP025CH120J-A-B Z	C604	1	EA	CH UP025CH120J-
5455	CCBS1H560JT	CAP. CERAMIC (56 PF/50V)	CH UP025SL560J-A-B Z	C605	1	EA	CH UP025SL560J-
5465	CCBS1H221KBT	CAP. CERAMIC (220 PF/50V)	CH UP025 B221K-A-B Z	C606	1	EA	CH UP025 B221K-
5475	CCBS1H561KBT	CAP. CERAMIC (560 PF/50V)	CH UP025 B561K-A-B Z	C607	1	EA	CH UP025 B561K-
5485	HCEA2AU100T	CAP. ELECT	10UF 50V	C608	1	EA	SMS 100V 10UF 6
5495	CCBS1H101KBT	CAP. CERAMIC (100 PF/50V)	CH UP025 B101K-A-B Z	C609	1	EA	CH UP025 B101K-
5505	CCEA1HH470T	CAP. ELECT	47UF 50V	C610	1	EA	00107-1031
5515	CCBS1H100JCT	CAP. CERAMIC (10 PF/50V)	CH UP025CH100J-A-B Z	C611	1	EA	CH UP025CH100J-
5525	CCCT1H030CC	CAP. CERAMIC	3 PF 50V C	C612	1	EA	CCC 1H 030C 04
5535	CCEA1EH470T	CAP. ELECT	47UF 25V	C613	1	EA	25V 47UF 5*11
5545	HCEA2AU100T	CAP. ELECT	10UF 50V	C614	1	EA	SMS 100V 10UF 6
5555	CCEA1HH470T	CAP. ELECT	47UF 50V	C615	1	EA	00107-1031
5565	CCBS1H101KBT	CAP. CERAMIC (100 PF/50V)	CH UP025 B101K-A-B Z	C616	1	EA	CH UP025 B101K-
5575	CCEA1EH470T	CAP. ELECT	47UF 25V	C617	1	EA	25V 47UF 5*11
5585	CCEA1HH470T	CAP. ELECT	47UF 50V	C618	1	EA	00107-1031
5595	CCBS1H220JCT	CAP. CERAMIC (22 PF/50V)	CH UP025CH220J-A-B Z	C619	1	EA	CH UP025CH220J-
5605	CCBS1H220JCT	CAP. CERAMIC (22 PF/50V)	CH UP025CH220J-A-B Z	C620	1	EA	CH UP025CH220J-
5615	CCEA1HH470T	CAP. ELECT	4.7UF 50V	C621	1	EA	00107-1019
5625	HCQ1H1H473JZT	CAP. MYLAR	0.047UF 50V J	C622	1	EA	HPE473JZAP050T
5635	HCQ1H1H222JZT	CAP. MYLAR	2200 PF 50V J	C708	1	EA	HPE222JZAP050T
5645	HCQ1H1H222JZT	CAP. MYLAR	2200 PF 50V J	C709	1	EA	HPE222JZAP050T
5655	HCQ1H1H222JZT	CAP. MYLAR	2200 PF 50V J	C710	1	EA	HPE222JZAP050T
5665	HCQ1H1H222JZT	CAP. MYLAR	2200 PF 50V J	C711	1	EA	HPE222JZAP050T
5675	HCQ1H1H222JZT	CAP. MYLAR	2200 PF 50V J	C712	1	EA	HPE222JZAP050T
5685	HCQ1H1H222JZT	CAP. MYLAR	2200 PF 50V J	C713	1	EA	HPE222JZAP050T
5695	CCEA1HH101T	CAP. ELECT	100UF 50V	C716	1	EA	50V 100UF 8*11.
5705	CCEA1HH101T	CAP. ELECT	100UF 50V	C717	1	EA	50V 100UF 8*11.
5715	CCEA1HH101T	CAP. ELECT	100UF 50V	C718	1	EA	50V 100UF 8*11.
5725	CCEA1HH101T	CAP. ELECT	100UF 50V	C719	1	EA	50V 100UF 8*11.
5735	CCEA1EH101T	CAP. ELECT	100UF 25V	C726	1	EA	
5745	CCEA1EH101T	CAP. ELECT	100UF 25V	C727	1	EA	
5755	CCEA1CH101T	CAP. ELECT	100UF 16V	C731	1	EA	00107-1003
5765	CCEA1HH100T	CAP. ELECT	10UF 50V	C733	1	EA	00107-1045
5775	CVDZJ6.2BT	DIODE, ZENER 6.2V	ZJ6.2B 1/2W	D501	1	EA	ZJ6.2BT(26MM T/
5785	CVD1SS133MT	DIODE, SWITCHING	1SS133	D502	1	EA	ISS133(T/B)
5795	CVD1SS133MT	DIODE, SWITCHING	1SS133	D503	1	EA	ISS133(T/B)
5805	CVD1SS133MT	DIODE, SWITCHING	1SS133	D504	1	EA	ISS133(T/B)
5815	CVDZJ6.2BT	DIODE, ZENER 6.2V	ZJ6.2B 1/2W	D505	1	EA	ZJ6.2BT(26MM T/
5825	CVD1SS133MT	DIODE, SWITCHING	1SS133	D506	1	EA	ISS133(T/B)
5835	CVD1SS133MT	DIODE, SWITCHING	1SS133	D507	1	EA	ISS133(T/B)
5845	CVD1SS133MT	DIODE, SWITCHING	1SS133	D508	1	EA	ISS133(T/B)
5855	CVD1SS133MT	DIODE, SWITCHING	1SS133	D509	1	EA	ISS133(T/B)
5865	CVD1SS133MT	DIODE, SWITCHING	1SS133	D510	1	EA	ISS133(T/B)
5875	CVD1SS133MT	DIODE, SWITCHING	1SS133	D511	1	EA	ISS133(T/B)
5885	CVD1SS133MT	DIODE, SWITCHING	1SS133	D512	1	EA	ISS133(T/B)
5895	CVD1SS133MT	DIODE, SWITCHING	1SS133	D513	1	EA	ISS133(T/B)
5905	CVD1SS133MT	DIODE, SWITCHING	1SS133	D514	1	EA	ISS133(T/B)
5915	CVD1SS133MT	DIODE, SWITCHING	1SS133	D515	1	EA	ISS133(T/B)
5925	CVD1SS133MT	DIODE, SWITCHING	1SS133	D516	1	EA	ISS133(T/B)
5935	CVD1SS133MT	DIODE, SWITCHING	1SS133	D517	1	EA	ISS133(T/B)
5945	CVD1SS133MT	DIODE, SWITCHING	1SS133	D518	1	EA	ISS133(T/B)
5955	CVD1SS133MT	DIODE, SWITCHING	1SS133	D519	1	EA	ISS133(T/B)
5965	CVD1SS355T	DIODE, CHIP, SWITCHING	1SS355	D520	1	EA	1SS355(T/B)
5975	CVD1SS133MT	DIODE, SWITCHING	1SS133	D521	1	EA	ISS133(T/B)
5985	CVDZJ6.2BT	DIODE, ZENER 6.2V	ZJ6.2B 1/2W	D522	1	EA	ZJ6.2BT(26MM T/
5995	CVD1SS133MT	DIODE, SWITCHING	1SS133	D523	1	EA	ISS133(T/B)

6005	CVD1SS133MT	DIODE, SWITCHING	1SS133	D524	1	EA	ISS133(T/B)
6015	CVD1SS133MT	DIODE, SWITCHING	1SS133	D525	1	EA	ISS133(T/B)
6025	CVD1SS355T	DIODE, CHIP, SWITCHING		D526	1	EA	1SS355(T/B)
6035	CVDZJ13BT	DIODE, ZENER 13V	ZJ13B 1/2W	D527	1	EA	ZJ13BT(26MM T/B)
6045	CVDZJ6.2BT	DIODE, ZENER 6.2V	ZJ6.2B 1/2W	D601	1	EA	ZJ6.2BT(26MM T/
6055	CVD1SS133MT	DIODE, SWITCHING	1SS133	D602	1	EA	ISS133(T/B)
6065	CVD1SS133MT	DIODE, SWITCHING	1SS133	D603	1	EA	ISS133(T/B)
6075	CVD1SS133MT	DIODE, SWITCHING	1SS133	D604	1	EA	ISS133(T/B)
6085	CVDZJ6.2BT	DIODE, ZENER 6.2V	ZJ6.2B 1/2W	D605	1	EA	ZJ6.2BT(26MM T/
6095	CVD1SS133MT	DIODE, SWITCHING	1SS133	D606	1	EA	ISS133(T/B)
6105	CVD1SS133MT	DIODE, SWITCHING	1SS133	D607	1	EA	ISS133(T/B)
6115	CVD1SS133MT	DIODE, SWITCHING	1SS133	D608	1	EA	ISS133(T/B)
6125	CVD1SS133MT	DIODE, SWITCHING	1SS133	D609	1	EA	ISS133(T/B)
6135	CVD1SS133MT	DIODE, SWITCHING	1SS133	D610	1	EA	ISS133(T/B)
6145	CVD1SS133MT	DIODE, SWITCHING	1SS133	D611	1	EA	ISS133(T/B)
6155	CVD1SS133MT	DIODE, SWITCHING	1SS133	D612	1	EA	ISS133(T/B)
6165	CVD1SS133MT	DIODE, SWITCHING	1SS133	D613	1	EA	ISS133(T/B)
6175	CVD1SS133MT	DIODE, SWITCHING	1SS133	D614	1	EA	ISS133(T/B)
6185	CVD1SS133MT	DIODE, SWITCHING	1SS133	D615	1	EA	ISS133(T/B)
6195	CVD1SS133MT	DIODE, SWITCHING	1SS133	D616	1	EA	ISS133(T/B)
6205	CVD1SS133MT	DIODE, SWITCHING	1SS133	D617	1	EA	ISS133(T/B)
6215	CVD1SS133MT	DIODE, SWITCHING	1SS133	D618	1	EA	ISS133(T/B)
6225	CVD1SS133MT	DIODE, SWITCHING	1SS133	D619	1	EA	ISS133(T/B)
6235	CVD1SS355T	DIODE, CHIP, SWITCHING		D620	1	EA	1SS355(T/B)
6245	CVD1N4003ST	DIODE, RECT	1N4003	D702	1	EA	1N4003T/P
6255	CVD1N4003ST	DIODE, RECT	1N4003	D703	1	EA	1N4003T/P
6265	CVD1N4003ST	DIODE, RECT	1N4003	D704	1	EA	1N4003T/P
6275	CVD1N4003ST	DIODE, RECT	1N4003	D705	1	EA	1N4003T/P
6285	CVDZJ30BT	DIODE, ZENER 30V	ZJ30B 1/2W	D706	1	EA	ZJ30BT(26MM T/B)
6295	CVDZJ30BT	DIODE, ZENER 30V	ZJ30B 1/2W	D707	1	EA	ZJ30BT(26MM T/B)
6305	CVD1N4003ST	DIODE, RECT	1N4003	D708	1	EA	1N4003T/P
6315	CVD1N4003ST	DIODE, RECT	1N4003	D709	1	EA	1N4003T/P
6325	CVD1N4003ST	DIODE, RECT	1N4003	D710	1	EA	1N4003T/P
6335	CVD1N4003ST	DIODE, RECT	1N4003	D711	1	EA	1N4003T/P
6345	CVD11EQS10GT	DIODE, SCHOTTKY (100V/1A)		D712	1	EA	11EQS10
6355	CVD11EQS10GT	DIODE, SCHOTTKY (100V/1A)		D713	1	EA	11EQS10
6365	CVD11EQS10GT	DIODE, SCHOTTKY (100V/1A)		D714	1	EA	11EQS10
6375	HJT1A025	PALTE, EARTH	MET37-0002	GD51	1	EA	MET37-0002
6385	HVTKTC2874BT	T.R. MUTE	KTC2874B	Q301	1	EA	KTC2874-B-AT/P
6395	HVTKTC2874BT	T.R. MUTE	KTC2874B	Q302	1	EA	KTC2874-B-AT/P
6405	HVTKTC2874BT	T.R. MUTE	KTC2874B	Q303	1	EA	KTC2874-B-AT/P
6415	HVTKTC2874BT	T.R. MUTE	KTC2874B	Q304	1	EA	KTC2874-B-AT/P
6425	HVTKTC2874BT	T.R. MUTE	KTC2874B	Q501	1	EA	KTC2874-B-AT/P
6435	HVTKTC2874BT	T.R. MUTE	KTC2874B	Q502	1	EA	KTC2874-B-AT/P
6445	HVTKTC2874BT	T.R. MUTE	KTC2874B	Q503	1	EA	KTC2874-B-AT/P
6455	HVTKTC2874BT	T.R. MUTE	KTC2874B	Q504	1	EA	KTC2874-B-AT/P
6465	HVT2SK117-BL	F.E.T		Q505	1	EA	2SK117-BL(TPE2)
6475	HVTKTC3200GRT	T.R	KTC3200GR	Q506	1	EA	KTC3200-GR-AT/P
6485	HVTKTC3200GRT	T.R	KTC3200GR	Q507	1	EA	KTC3200-GR-AT/P
6495	HVT2SK117-BL	F.E.T		Q508	1	EA	2SK117-BL(TPE2)
6505	HVTKTA1267YT	T.R	KTA1267Y	Q509	1	EA	KTA1267-Y-AT/P
6515	HVTKTA1267YT	T.R	KTA1267Y	Q510	1	EA	KTA1267-Y-AT/P
6525	HVTKTC3198YT	T.R	KTC3198Y	Q521	1	EA	KTC3198-Y-AT/PJ
6535	HVTKTC3203YT	T.R	KTC3203Y	Q523	1	EA	KTC3203-Y-AT/PJ
6545	HVTKTC3198YT	T.R	KTC3198Y	Q524	1	EA	KTC3198-Y-AT/PJ
6555	HVTKTC3198YT	T.R	KTC3198Y	Q525	1	EA	KTC3198-Y-AT/PJ
6565	HVTKTC3198YT	T.R	KTC3198Y	Q528	1	EA	KTC3198-Y-AT/PJ
6575	HVTKTC3198YT	T.R	KTC3198Y	Q529	1	EA	KTC3198-Y-AT/PJ
6585	CVTKTA1272YT	T.R, KTA1272Y-AP/P (TO-92M)	KTC3198Y	Q530	1	EA	KTA1272-Y-AT/P
6595	HVTKTA1267YT	T.R	KTA1267Y	Q531	1	EA	KTA1267-Y-AT/P
6605	HVTKTC3199YT	T.R	KTC3199Y	Q532	1	EA	KTC3199-Y-AT/P
6615	HVTKTC3199YT	T.R	KTC3199Y	Q533	1	EA	KTC3199-Y-AT/P
6625	HVT2SK117-BL	F.E.T		Q601	1	EA	2SK117-BL(TPE2)
6635	HVTKTC3200GRT	T.R	KTC3200GR	Q602	1	EA	KTC3200-GR-AT/P
6645	HVTKTC3200GRT	T.R	KTC3200GR	Q603	1	EA	KTC3200-GR-AT/P
6655	HVT2SK117-BL	F.E.T		Q604	1	EA	2SK117-BL(TPE2)
6665	HVTKTA1267YT	T.R	KTA1267Y	Q605	1	EA	KTA1267-Y-AT/P
6675	HVTKTA1267YT	T.R	KTA1267Y	Q606	1	EA	KTA1267-Y-AT/P
6685	HVTKTC3198YT	T.R	KTC3198Y	Q617	1	EA	KTC3198-Y-AT/PJ
6695	HVTKTC3203YT	T.R	KTC3203Y	Q619	1	EA	KTC3203-Y-AT/PJ
6705	CVTKTC1027YT	T.R		Q701	1	EA	KTC1027Y
6715	HVTKSA916YT	T.R		Q702	1	EA	KSA916-YTA
6725	CRD20TJ471T	RES. CARBON (470 OHM, 5%, 1/5W)	470 OHM 1/5W J	R301	1	EA	
6735	CRD20TJ471T	RES. CARBON (470 OHM, 5%, 1/5W)	470 OHM 1/5W J	R302	1	EA	
6745	CRD20TJ561T	RES. CARBON (560 OHM, 5%, 1/5W)	560 OHM 1/5W J	R303	1	EA	
6755	CRD20TJ561T	RES. CARBON (560 OHM, 5%, 1/5W)	560 OHM 1/5W J	R304	1	EA	
6765	CRD20TJ221T	RES. CARBON (220 OHM, 5%, 1/5W)	220 OHM 1/5W J	R307	1	EA	
6775	CRD20TJ123T	RES. CARBON (12 KOHM, 5%, 1/5W)	12 KOHM 1/5W J	R308	1	EA	
6785	CRD20TJ184T	RES. CARBON (180 KOHM, 5%, 1/5W)	180 KOHM 1/5W J	R309	1	EA	
6795	CRD20TJ561T	RES. CARBON (560 OHM, 5%, 1/5W)	560 OHM 1/5W J	R310	1	EA	
6805	CRD20TJ123T	RES. CARBON (12 KOHM, 5%, 1/5W)	12 KOHM 1/5W J	R313	1	EA	
6815	CRD20TJ184T	RES. CARBON (180 KOHM, 5%, 1/5W)	180 KOHM 1/5W J	R314	1	EA	
6825	CRD20TJ221T	RES. CARBON (220 OHM, 5%, 1/5W)	220 OHM 1/5W J	R315	1	EA	
6835	CRD20TJ561T	RES. CARBON (560 OHM, 5%, 1/5W)	560 OHM 1/5W J	R316	1	EA	
6845	CRD20TJ471T	RES. CARBON (470 OHM, 5%, 1/5W)	470 OHM 1/5W J	R334	1	EA	
6855	CRD20TJ471T	RES. CARBON (470 OHM, 5%, 1/5W)	470 OHM 1/5W J	R335	1	EA	
6865	CRD20TJ471T	RES. CARBON (470 OHM, 5%, 1/5W)	470 OHM 1/5W J	R342	1	EA	
6875	CRD20TJ471T	RES. CARBON (470 OHM, 5%, 1/5W)	470 OHM 1/5W J	R343	1	EA	
6885	CRD20TJ473T	RES. CARBON (47 KOHM, 5%, 1/5W)	47 KOHM 1/5W J	R357	1	EA	
6895	CRD20TJ473T	RES. CARBON (47 KOHM, 5%, 1/5W)	47 KOHM 1/5W J	R358	1	EA	
6905	CRD20TJ100T	RES. CARBON (10 OHM, 5%, 1/5W)	10 OHM 1/5W J	R359	1	EA	
6915	CRD20TJ100T	RES. CARBON (10 OHM, 5%, 1/5W)	10 OHM 1/5W J	R360	1	EA	
6925	CRD20TJ682T	RES. CARBON (6.8 KOHM, 5%, 1/5W)	6.8 KOHM 1/5W J	R361	1	EA	
6935	CRD20TJ223T	RES. CARBON (22 KOHM, 5%, 1/5W)	22 KOHM 1/5W J	R362	1	EA	
6945	CRD20TJ473T	RES. CARBON (47 KOHM, 5%, 1/5W)	47 KOHM 1/5W J	R363	1	EA	
6955	CRD20TJ473T	RES. CARBON (47 KOHM, 5%, 1/5W)	47 KOHM 1/5W J	R364	1	EA	
6965	CRD20TJ682T	RES. CARBON (6.8 KOHM, 5%, 1/5W)	6.8 KOHM 1/5W J	R365	1	EA	
6975	CRD20TJ473T	RES. CARBON (47 KOHM, 5%, 1/5W)	47 KOHM 1/5W J	R366	1	EA	
6985	CRD20TJ473T	RES. CARBON (47 KOHM, 5%, 1/5W)	47 KOHM 1/5W J	R367	1	EA	
6995	CRD20TJ223T	RES. CARBON (22 KOHM, 5%, 1/5W)	22 KOHM 1/5W J	R368	1	EA	
7005	CRD20TJ223T	RES. CARBON (22 KOHM, 5%, 1/5W)	22 KOHM 1/5W J	R371	1	EA	
7015	CRD20TJ223T	RES. CARBON (22 KOHM, 5%, 1/5W)	22 KOHM 1/5W J	R372	1	EA	
7025	CRD20TJ102T	RES. CARBON (1 KOHM, 5%, 1/5W)	1 KOHM 1/5W J	R501	1	EA	
7035	CRD20TJ102T	RES. CARBON (1 KOHM, 5%, 1/5W)	1 KOHM 1/5W J	R502	1	EA	
7045	CRD20TJ472T	RES. CARBON (4.7 KOHM, 5%, 1/5W)	4.7 KOHM 1/5W J	R503	1	EA	
7055	CRD20TJ122T	RES. CARBON (1.2 KOHM, 5%, 1/5W)	1.2 KOHM 1/5W J	R511	1	EA	
7065	CRD20TJ472T	RES. CARBON (47 KOHM, 5%, 1/5W)	47 KOHM 1/5W J	R512	1	EA	
7075	CRD20TJ105T	RES. CARBON (1 MOHM, 5%, 1/5W)	1 MOHM 1/5W J	R513	1	EA	
7085	CRD20TJ221T	RES. CARBON (220 OHM, 5%, 1/5W)	220 OHM 1/5W J	R514	1	EA	
7095	CRD20TJ101T	RES. CARBON (100 OHM, 5%, 1/5W)	100 OHM 1/5W J	R515	1	EA	
7105	CRD25TJ101T	RES. CARBON (100 OHM, 5%, 1/4W)		R516	1	EA	
7115	CRG2SANJ100RT	RES. METAL OXIDE FILM (2W, 10)		R517	1	EA	
7125	CRD25TJ101T	RES. CARBON (100 OHM, 5%, 1/4W)		R518	1	EA	
7135	CRD20TJ473T	RES. CARBON (47 KOHM, 5%, 1/5W)	47 KOHM 1/5W J	R520	1	EA	
7145	CRD20TJ392T	RES. CARBON (3.9 KOHM, 5%, 1/5W)	3.9 KOHM 1/5W J	R521	1	EA	
7155	CRD20TJ222T	RES. CARBON (2.2 KOHM, 5%, 1/5W)	2.2 KOHM 1/5W J	R522	1	EA	
7165	CRD20TJ153T	RES. CARBON (15 KOHM, 5%, 1/5W)	15 KOHM 1/5W J	R523	1	EA	
7175	CRD20TJ472T	RES. CARBON (4.7 KOHM, 5%, 1/5W)	4.7 KOHM 1/5W J	R525	1	EA	
7185	CRD25FJ101T	RES. CARBON	100 OHM 1/4W J	R526	1	EA	
7195	CRG2SANJ100RT	RES. METAL OXIDE FILM (2W, 10)		R527	1	EA	
7205	CRD20TJ272T	RES. CARBON (2.7 KOHM, 5%, 1/5W)	2.7 KOHM 1/5W J	R528	1	EA	

7215	CRD20TJ471T	RES. CARBON (470 OHM, 5%, 1/5W)	470 OHM 1/5W J	R529	1	EA	
7225	CRD20TJ821T	RES. CARBON (820 OHM, 5%, 1/5W)	820 OHM 1/5W J	R530	1	EA	
7235	CRD20TJ361T	RES. CARBON (360 OHM, 5%, 1/5W)	360 OHM 1/5W J	R531	1	EA	360 OHM 1/5W J
7245	CRD25FJ101T	RES. CARBON	100 OHM 1/4W J	R532	1	EA	
7255	CRD25FJ101T	RES. CARBON	100 OHM 1/4W J	R533	1	EA	
7265	CRD25FJ100T	RES. CARBON	10 OHM 1/4W J	R534	1	EA	
7275	CRD20TJ222T	RES. CARBON (2.2 KOHM, 5%, 1/5W)	2.2 KOHM 1/5W J	R537	1	EA	
7285	CRD25FJ100T	RES. CARBON	10 OHM 1/4W J	R540	1	EA	
7295	CRD20TJ153T	RES. CARBON (15 KOHM, 5%, 1/5W)	15 KOHM 1/5W J	R541	1	EA	
7305	CRD20TJ682T	RES. CARBON (6.8 KOHM, 5%, 1/5W)	6.8 KOHM 1/5W J	R542	1	EA	
7315	CRD20TJ123T	RES. CARBON (12 KOHM, 5%, 1/5W)	12 KOHM 1/5W J	R543	1	EA	
7325	CRG2SANJ100RT	RES. METAL OXIDE FILM (2W, 10)		R545	1	EA	
7335	CRD20TJ333T	RES. CARBON (33 KOHM, 5%, 1/5W)	33 KOHM 1/5W J	R547	1	EA	
7345	CRD20TJ333T	RES. CARBON (33 KOHM, 5%, 1/5W)	33 KOHM 1/5W J	R548	1	EA	
7355	CRD20TJ183T	RES. CARBON (18 KOHM, 5%, 1/5W)	18 KOHM 1/5W J	R549	1	EA	
7365	CRD20TJ101T	RES. CARBON (100 OHM, 5%, 1/5W)	100 OHM 1/5W J	R550	1	EA	
7375	CRD20TJ183T	RES. CARBON (18 KOHM, 5%, 1/5W)	18 KOHM 1/5W J	R551	1	EA	
7385	CRD20TJ183T	RES. CARBON (18 KOHM, 5%, 1/5W)	18 KOHM 1/5W J	R552	1	EA	
7395	CRD20TJ103T	RES. CARBON (10 KOHM, 5%, 1/5W)	10 KOHM 1/5W J	R553	1	EA	
7405	CRD20TJ103T	RES. CARBON (10 KOHM, 5%, 1/5W)	10 KOHM 1/5W J	R554	1	EA	
7415	CRD25TJ103T	RES. CARBON (10 KOHM, 5%, 1/4W)		R555	1	EA	
7425	CRD20TJ333T	RES. CARBON (33 KOHM, 5%, 1/5W)	33 KOHM 1/5W J	R556	1	EA	
7435	CRD20TJ100T	RES. CARBON (10 OHM, 5%, 1/5W)	10 OHM 1/5W J	R557	1	EA	
7445	CRD20TJ223T	RES. CARBON (22 KOHM, 5%, 1/5W)	22 KOHM 1/5W J	R558	1	EA	
7455	CRD25TJ103T	RES. CARBON (10 KOHM, 5%, 1/4W)		R565	1	EA	
7465	KRG1SANJ391RT	RES. METAL OXIDE FILM		R567	1	EA	390 OHM 1W J
7475	KRG1SANJ391RT	RES. METAL OXIDE FILM		R568	1	EA	390 OHM 1W J
7485	CRD20TJ122T	RES. CARBON	1.2 KOHM 1/5W J	R601	1	EA	
7495	CRD20TJ473T	RES. CARBON (47 KOHM, 5%, 1/5W)	47 KOHM 1/5W J	R602	1	EA	
7505	CRD20TJ105T	RES. CARBON (1 MOHM, 5%, 1/5W)	1 MOHM 1/5W J	R603	1	EA	
7515	CRD20TJ221T	RES. CARBON (220 OHM, 5%, 1/5W)	220 OHM 1/5W J	R604	1	EA	
7525	CRD20TJ101T	RES. CARBON (100 OHM, 5%, 1/5W)	100 OHM 1/5W J	R605	1	EA	
7535	CRD25TJ101T	RES. CARBON (100 OHM, 5%, 1/4W)		R606	1	EA	
7545	CRG2SANJ100RT	RES. METAL OXIDE FILM (2W, 10)		R607	1	EA	
7555	CRD25TJ101T	RES. CARBON (100 OHM, 5%, 1/4W)		R608	1	EA	
7565	CRD20TJ473T	RES. CARBON (47 KOHM, 5%, 1/5W)	47 KOHM 1/5W J	R610	1	EA	
7575	CRD20TJ392T	RES. CARBON (3.9 KOHM, 5%, 1/5W)	3.9 KOHM 1/5W J	R611	1	EA	
7585	CRD20TJ222T	RES. CARBON (2.2 KOHM, 5%, 1/5W)	2.2 KOHM 1/5W J	R612	1	EA	
7595	CRD20TJ153T	RES. CARBON (15 KOHM, 5%, 1/5W)	15 KOHM 1/5W J	R613	1	EA	
7605	CRD20TJ472T	RES. CARBON (4.7 KOHM, 5%, 1/5W)	4.7 KOHM 1/5W J	R615	1	EA	
7615	CRD25FJ101T	RES. CARBON	100 OHM 1/4W J	R616	1	EA	
7625	CRG2SANJ100RT	RES. METAL OXIDE FILM (2W, 10)		R617	1	EA	
7635	CRD20TJ272T	RES. CARBON (2.7 KOHM, 5%, 1/5W)	2.7 KOHM 1/5W J	R618	1	EA	
7645	CRD20TJ471T	RES. CARBON (470 OHM, 5%, 1/5W)	470 OHM 1/5W J	R619	1	EA	
7655	CRD20TJ821T	RES. CARBON (820 OHM, 5%, 1/5W)	820 OHM 1/5W J	R620	1	EA	
7665	CRD20TJ361T	RES. CARBON (360 OHM, 5%, 1/5W)	360 OHM 1/5W J	R621	1	EA	360 OHM 1/5W J
7675	CRD25FJ101T	RES. CARBON	100 OHM 1/4W J	R622	1	EA	
7685	CRD25FJ101T	RES. CARBON	100 OHM 1/4W J	R623	1	EA	
7695	CRD25FJ100T	RES. CARBON	10 OHM 1/4W J	R624	1	EA	
7705	CRD25FJ100T	RES. CARBON	10 OHM 1/4W J	R627	1	EA	
7715	CRD20TJ222T	RES. CARBON (2.2 KOHM, 5%, 1/5W)	2.2 KOHM 1/5W J	R630	1	EA	
7725	CRD20TJ682T	RES. CARBON (6.8 KOHM, 5%, 1/5W)	6.8 KOHM 1/5W J	R631	1	EA	
7735	CRD20TJ153T	RES. CARBON (15 KOHM, 5%, 1/5W)	15 KOHM 1/5W J	R632	1	EA	
7745	CRD20TJ123T	RES. CARBON (12 KOHM, 5%, 1/5W)	12 KOHM 1/5W J	R633	1	EA	
7755	CRG2SANJ100RT	RES. METAL OXIDE FILM (2W, 10)		R635	1	EA	
7765	CRD25TJ103T	RES. CARBON (10 KOHM, 5%, 1/4W)		R636	1	EA	
7775	CRD25TJ123T	RES. CARBON (12 KOHM, 5%, 1/4W)		R705	1	EA	
7785	CRD25TJ123T	RES. CARBON (12 KOHM, 5%, 1/4W)		R706	1	EA	
7795	CRD25TJ123T	RES. CARBON (12 KOHM, 5%, 1/4W)		R711	1	EA	
7805	CRD25TJ123T	RES. CARBON (12 KOHM, 5%, 1/4W)		R712	1	EA	
7815	KRG1SANJ100RT	RES. METAL OXIDE FILM	10 OHM 1W J	R713	1	EA	10 OHM 1W J
7825	CVN12A471B03T	RES. SEMI FIXED (470, B CURVE)		VR51	1	EA	NVZ6TLTAB471
7835	CVN12A471B03T	RES. SEMI FIXED (470, B CURVE)		VR61	1	EA	NVZ6TLTAB471
7844	CMY1A358ZA	HEATSINK, MAIN ASSY			1	EA	
7855	CDD1A013YA	FAN ASSY			1	EA	
7866	CDD1A013	FAN			1	EA	A-R600EUR
7876	CDMCCM05045R18	MOTOR			1	EA	
7886	CGP3A016	FRAME, FAN			1	EA	
7896	CSN2+4R	SCREW	ROHS		2	EA	
7906	CWZAV7742	WIRE ASSY			1	EA	AA-900/AG-V8525
7916	CZK86102	SOLDER, FLUX WIRE PB FREE (PIE 1.0)	HSE-04 W1.0		1	G	
7925	CGP2A015	COVER, HEATSINK			1	EA	
7935	CMD2A665	BRACKET			1	EA	
7945	CMY1A358	HEAT, SINK			1	EA	
7955	CTB3+8JR	SCREW			9	EA	00M51260308M0
7965	CTW3+12JR	SCREW			6	EA	
7975	HVTKTD2058Y	T.R KTD2058Y	KTD2058Y	Q514	1	EA	KTD2058-Y-U/PP
7985	HVT2SC3519A	T.R, POWER 2SC3519A		Q518	1	EA	2SC3519A
7995	HVT2SA1386A	T.R, POWER 2SA1386A		Q520	1	EA	2SA1386A
8005	HVTKTD2058Y	T.R KTD2058Y	KTD2058Y	Q610	1	EA	KTD2058-Y-U/PP
8015	HVT2SC3519A	T.R, POWER 2SC3519A		Q614	1	EA	2SC3519A
8025	HVT2SA1386A	T.R, POWER 2SA1386A		Q616	1	EA	2SA1386A
8034	COB1D022	A-ROHS/LABEL, SERIAL			1	EA	
8044	CTW3+8JR	SCREW			1	EA	
8054	CMD1A576	SHIELD, PLATE		BK51	1	EA	
8064	KRTNTC5D103	THERMISTOR	NTC5D-103KYW10	BN51	1	EA	NTC5D103
8074	CJP07G1236Z	LOCKING TYPE, STRAIGHT WAFER, 2MM		CN31	1	EA	A2008WV0-7P
8084	CJP09G1236Z	LOCKING TYPE, STRAIGHT WAFER, 2MM		CN32	1	EA	A2008WV0-9P
8094	CJP15G1236Z	LOCKING TYPE, STRAIGHT WAFER (2mm)		CN34	1	EA	A2008WV0-15P
8104	CJP05G1237Z	LOCKING TYPE, STRAIGHT WAFER, 2.5MM		CN51	1	EA	A2512WV0-5P
8114	CJP02GA012Y	WAFER, STRAIGHT, 2PIN		CN52	1	EA	YMW025-02R
8124	CJP02GA012Y	WAFER, STRAIGHT, 2PIN		CN53	1	EA	YMW025-02R
8134	CJP02GA012Y	WAFER, STRAIGHT, 2PIN		CN54	1	EA	YMW025-02R
8144	CJP05G1236Z	LOCKING TYPE, STRAIGHT WAFER, 2mm		CN55	1	EA	A2008WV0-5P
8154	CJP06GA012Y	WAFER, 6PIN		CN72	1	EA	
8164	CJP09G1237Z	LOCKING TYPE, STRAIGHT WAFER, 2.5MM		CN73	1	EA	A2512WV0-9P
8174	CJP09G1237Z	LOCKING TYPE, STRAIGHT WAFER, 2.5MM		CN74	1	EA	A2512WV0-9P
8184	CCEA1HH222ES	CAP. ELECT (KRM, 50V/2200UF, 105C, 16X31.5)		C714	1	EA	
8194	CCEA1HH222ES	CAP. ELECT (KRM, 50V/2200UF, 105C, 16X31.5)		C715	1	EA	
8204	CCEA1VH102E	CAP. ELECT		C722	1	EA	
8214	CCEA1VH102E	CAP. ELECT		C723	1	EA	
8224	HVINJU7312L	I.C	NJU7312AL	IC32	1	EA	NJU7312AL
8234	HVINJM4556AL	I.C, HEADPHONE (JRC)	NJM4556AL	IC33	1	EA	NJM4556AL
8244	HVINJM4556AL	I.C, HEADPHONE (JRC)	NJM4556AL	IC34	1	EA	NJM4556AL
8254	CVIKIA7815APIVA	HEAT/SINK ASSY (CMY1A043)		IC71	1	EA	
8265	CMY1A043	HEAT/SINK, TR			1	EA	
8275	CTB3+8JR	SCREW			1	EA	ALL MODEL
8285	CVIKIA7815APIUPF	I.C, VOL-REGULATOR (15V TO-220IS-4)	KIA7815API-U/ PF , KEC		1	EA	KIA7815API-U/PP
8295	K8AYG6260	COMPOUND, SILICONE			0.2	G	
8304	CVIKIA7915PIVA	HEATSINK ASSY (CMY1A043)		IC72	1	EA	
8315	CMY1A043	HEATSINK, TR			1	EA	
8325	CTB3+8JR	SCREW			1	EA	ALL MODEL
8335	CVIKIA7915PI	I.C, REGULATOR (15V, TO-220AB)	KIA7915PI		1	EA	00M51260308M0
8345	K8AYG6260	COMPOUND, SILICONE			0.2	G	
8354	HVIA7805API	REGULATOR, +5V	7805API (KEC)	IC73	1	EA	KIA7805API-U/PP
8364	CJJ4R020W	JACK, BOARD		JK31	1	EA	
8374	CJJ4R020W	JACK, BOARD		JK32	1	EA	
8384	CJJ4P058Z	JACK, IN/OUT		JK33	1	EA	
8394	CJJ4N060Z	JACK, BOARD 2P (GOLD)		JK34	1	EA	RCA-207AEG-02
8404	CJJ5Q006Z	TERMINAL, SPEAKER		JK51	1	EA	SH0810360P
8414	CLU9S006Z	COIL, TOROIDAL		L301	1	EA	

842	...4	CLU9S006Z	COIL, TOROIDAL		L302	1	EA	
843	...4	CLEYOR5KAK	COIL, SPEAKER	0.5UH K	L501	1	EA	0.5UH K
844	...4	CLEYOR5KAK	COIL, SPEAKER	0.5UH K	L601	1	EA	0.5UH K
845	...4	HVT2SA1209S	T.R	2SA1209S	Q511	1	EA	2SA1209S/T
846	...4	HVT2SC2911S	T.R	2SC2911S	Q512	1	EA	2SC2911S
847	...4	HVT2SC2911S	T.R	2SC2911S	Q513	1	EA	2SC2911S
848	...4	HVT2SC3423O	T.R	2SC3423O	Q515	1	EA	2SC3423-O(Q,H)
849	...4	HVTKT2061Y	T.R, DRIVE	KTD2061Y	Q516	1	EA	KTD2061-Y-U/PP
850	...4	HVT2SA1360O	T.R	2SA1360O	Q517	1	EA	2SA1360-O(Q,H)
851	...4	HVTKTB1369Y	T.R, DRIVE	KTB1369Y	Q519	1	EA	KTB1369-Y-U/PP
852	...4	HVT2SA1209S	T.R	2SA1209S	Q607	1	EA	2SA1209S/T
853	...4	HVT2SC2911S	T.R	2SC2911S	Q608	1	EA	2SC2911S
854	...4	HVT2SC2911S	T.R	2SC2911S	Q609	1	EA	2SC2911S
855	...4	HVT2SC3423O	T.R	2SC3423O	Q611	1	EA	2SC3423-O(Q,H)
856	...4	HVTKT2061Y	T.R, DRIVE	KTD2061Y	Q612	1	EA	KTD2061-Y-U/PP
857	...4	HVT2SA1360O	T.R	2SA1360O	Q613	1	EA	2SA1360-O(Q,H)
858	...4	HVTKTB1369Y	T.R, DRIVE	KTB1369Y	Q615	1	EA	KTB1369-Y-U/PP
859	...4	HSL4A004ZU	RELAY	OSA-SS-212DM3	RL51	1	EA	5-1419124-6
860	...4	CSLA4015ZU	RELAY	G5V-2-H1 DC12	RL52	1	EA	G5V-2-H1 DC12V
861	...4	HSL4A004ZU	RELAY	OSA-SS-212DM3	RL61	1	EA	5-1419124-6
862	...4	CRG1ANJ273H	RES. METAL OXIDE FILM	27 KOHM 1W J	R524	1	EA	
863	...4	CRG1ANJ681H	RES. METAL OXIDE FILM	680 OHM 1W J	R535	1	EA	
864	...4	CRG1ANJ471H	RES. METAL OXIDE FILM	470 OHM 1W J	R536	1	EA	
865	...4	CRF5EKR22	RES. CEMENT		R538	1	EA	
866	...4	CRF5EKR22	RES. CEMENT		R539	1	EA	
867	...4	CRG2ANJ4R7H	RES. METAL OXIDE FILM		R544	1	EA	
868	...4	CRG1ANJ273H	RES. METAL OXIDE FILM	27 KOHM 1W J	R614	1	EA	
869	...4	CRG1ANJ681H	RES. METAL OXIDE FILM	680 OHM 1W J	R625	1	EA	
870	...4	CRG1ANJ471H	RES. METAL OXIDE FILM	470 OHM 1W J	R626	1	EA	
871	...4	CRF5EKR22	RES. CEMENT		R628	1	EA	
872	...4	CRF5EKR22	RES. CEMENT		R629	1	EA	
873	...4	CRG2ANJ4R7H	RES. METAL OXIDE FILM		R634	1	EA	
874	...4	CRQ1AJR47H	RES. FUSE		R703	1	EA	
875	...4	CRQ1AJR47H	RES. FUSE		R704	1	EA	
876	...4	CRQ1AJR47H	RES. FUSE		R709	1	EA	
877	...4	CRQ1AJR47H	RES. FUSE		R710	1	EA	
878	...3	COP12283B	A-R650 PREAMP PCB ASS'Y			1	EA	
879	...4	CIP12283B	A-R650 PREAMP PCB AUTO ASS'Y			1	EA	
880	...5	CIP12283B SMD	A-R650 PREAMP PCB SMD ASS'Y			1	EA	
881	...6	CUP12283Z	PCB IPOD A-R650 (253X160,FR4/2)			0.5	EA	
882	...6	CCUS1H104KC	CAP. CHIP (1608, 50V/0.1uF)	0.1UF 50V K	C404	1	EA	
883	...6	CCUS1H104KC	CAP. CHIP (1608, 50V/0.1uF)	0.1UF 50V K	C405	1	EA	
884	...6	CCUS1H104KC	CAP. CHIP (1608, 50V/0.1uF)	0.1UF 50V K	C406	1	EA	
885	...6	CCUS1H102KC	CAP. CHIP (1608, 50V/1000 PF)	1000 PF 50V K	C429	1	EA	
886	...6	CCUS1H102KC	CAP. CHIP (1608, 50V/1000 PF)	1000 PF 50V K	C430	1	EA	
887	...6	HVTKRA102S	T.R, CHIP, SOT-23	KRA102S	Q401	1	EA	KRA102S-RTK/P
888	...6	CRJ10DJ0R0T	RES. CHIP (0 OHM, 5%, 1608)	1608 SIZE	R401	1	EA	00200-0090
889	...6	CRJ10DJ102T	RES. CHIP (1 KOHM, 5%, 1608)	1608 SIZE	R402	1	EA	00200-0094
890	...6	CRJ10DJ102T	RES. CHIP (1 KOHM, 5%, 1608)	1608 SIZE	R403	1	EA	00200-0094
891	...6	CRJ10DJ562T	RES. CHIP (5.6 KOHM, 5%, 1608)	1608 SIZE	R404	1	EA	00200-0198
892	...6	CRJ10DJ103T	RES. CHIP (10 KOHM, 5%, 1608)	1608 SIZE	R405	1	EA	00200-0096
893	...6	CRJ10DJ222T	RES. CHIP (2.2 KOHM, 5%, 1608)	1608 SIZE	R432	1	EA	00200-0142
894	...6	CRJ10DJ222T	RES. CHIP (2.2 KOHM, 5%, 1608)	1608 SIZE	R433	1	EA	00200-0142
895	...6	CRJ10DJ0R0T	RES. CHIP (0 OHM, 5%, 1608)	1608 SIZE	R444	1	EA	00200-0090
896	...6	CRJ10DJ683T	RES. CHIP (68 KOHM, 5%, 1608)	1608 SIZE	R445	1	EA	
897	...6	CRJ10DJ683T	RES. CHIP (68 KOHM, 5%, 1608)	1608 SIZE	R446	1	EA	
898	...6	CRJ10DJ222T	RES. CHIP (2.2 KOHM, 5%, 1608)	1608 SIZE	R447	1	EA	00200-0142
899	...6	CRJ10DJ73T	RES. CHIP (47 KOHM, 5%, 1608)	1608 SIZE	R448	1	EA	00200-0185
900	...6	CRJ10DJ222T	RES. CHIP (2.2 KOHM, 5%, 1608)	1608 SIZE	R449	1	EA	00200-0142
901	...6	CRJ10DJ473T	RES. CHIP (47 KOHM, 5%, 1608)	1608 SIZE	R450	1	EA	00200-0185
902	...5	CCEA1HH100T	CAP. ELECT	10UF 50V	C431	1	EA	00107-1045
903	...5	CCBS1H561KBT	CAP. CERAMIC (560 PF/50V)	CH UPO25 B561K-A-B Z	C432	1	EA	CH UPO25 B561K-
904	...5	CCEA1VH221T	CAP. ELECT	220UF 35V	C433	1	EA	35V 220UF 8*11
905	...5	HCQ1H332JZT	CAP. MYLAR	3300 PF 50V J	C434	1	EA	HPE332JZAP050T
906	...5	CCEA1VH221T	CAP. ELECT	220UF 35V	C435	1	EA	35V 220UF 8*11
907	...5	CCCT1H030CC	CAP. CERAMIC	3 PF 50V C	C436	1	EA	CCC 1H 030C 04
908	...5	HCQ1H473JZT	CAP. MYLAR	0.047UF 50V J	C437	1	EA	HPE473JZAP050T
909	...5	CCCT1H120JC	CAP. CERAMIC	12 PF 50V J	C438	1	EA	CCC 1H 120J 04
910	...5	HCQ1H102JZT	CAP. MYLAR	1000 PF 50V J	C439	1	EA	HPE102JZAP050T
911	...5	CCEA1HH100T	CAP. ELECT	10UF 50V	C440	1	EA	00107-1045
912	...5	CCEA1HH100T	CAP. ELECT	10UF 50V	C441	1	EA	00107-1045
913	...5	CCBS1H561KBT	CAP. CERAMIC (560 PF/50V)	CH UPO25 B561K-A-B Z	C442	1	EA	CH UPO25 B561K-
914	...5	CCEA1VH221T	CAP. ELECT	220UF 35V	C443	1	EA	35V 220UF 8*11
915	...5	HCQ1H332JZT	CAP. MYLAR	3300 PF 50V J	C444	1	EA	HPE332JZAP050T
916	...5	CCEA1VH221T	CAP. ELECT	220UF 35V	C445	1	EA	35V 220UF 8*11
917	...5	CCCT1H030CC	CAP. CERAMIC	3 PF 50V C	C446	1	EA	CCC 1H 030C 04
918	...5	HCQ1H473JZT	CAP. MYLAR	0.047UF 50V J	C447	1	EA	HPE473JZAP050T
919	...5	CCCT1H120JC	CAP. CERAMIC	12 PF 50V J	C448	1	EA	CCC 1H 120J 04
920	...5	HCQ1H102JZT	CAP. MYLAR	1000 PF 50V J	C449	1	EA	HPE102JZAP050T
921	...5	CCEA1HH100T	CAP. ELECT	10UF 50V	C450	1	EA	00107-1045
922	...5	CCEA1EH470T	CAP. ELECT	47UF 25V	C451	1	EA	25V 47UF 5*11
923	...5	HCQ1H103JZT	CAP. MYLAR	0.01UF 50V J	C452	1	EA	HPE103JZAP050T
924	...5	CCEA1EH470T	CAP. ELECT	47UF 25V	C453	1	EA	25V 47UF 5*11
925	...5	CCCT1H560JC	CAP. CERAMIC	56 PF 50V J	C468	1	EA	56PF 50V J
926	...5	CCCT1H560JC	CAP. CERAMIC	56 PF 50V J	C469	1	EA	56PF 50V J
927	...5	CVD1SS133MT	DIODE, SWITCHING	1SS133	D405	1	EA	ISS133(T/B)
928	...5	CVD1SS133MT	DIODE, SWITCHING	1SS133	D406	1	EA	ISS133(T/B)
929	...5	CVD1SS133MT	DIODE, SWITCHING	1SS133	D407	1	EA	ISS133(T/B)
930	...5	CVD1SS133MT	DIODE, SWITCHING	1SS133	D408	1	EA	ISS133(T/B)
931	...5	CVD1SS133MT	DIODE, SWITCHING	1SS133	D409	1	EA	ISS133(T/B)
932	...5	CVD1SS133MT	DIODE, SWITCHING	1SS133	D410	1	EA	ISS133(T/B)
933	...5	CVD1SS133MT	DIODE, SWITCHING	1SS133	D411	1	EA	ISS133(T/B)
934	...5	CVD1SS133MT	DIODE, SWITCHING	1SS133	D412	1	EA	ISS133(T/B)
935	...5	HVTKTA1268GRT	T.R, KTA1268GR	KTA1268GR	Q402	1	EA	KTA1268-GR-AT/P
936	...5	HVTKTA1268GRT	T.R, KTA1268GR	KTA1268GR	Q403	1	EA	KTA1268-GR-AT/P
937	...5	HVTKTC3200GRT	T.R, KTC3200GR	KTC3200GR	Q404	1	EA	KTC3200-GR-AT/P
938	...5	HVTKTA1266YT	T.R, TKTA1266YT	TKTA1266YT	Q405	1	EA	KTA1266-Y-AT/PJ
939	...5	HVTKTC3198YT	T.R, KTC3198Y	KTC3198Y	Q408	1	EA	KTC3198-Y-AT/PJ
940	...5	HVTKTA1268GRT	T.R, KTA1268GR	KTA1268GR	Q409	1	EA	KTA1268-GR-AT/P
941	...5	HVTKTA1268GRT	T.R, KTA1268GR	KTA1268GR	Q410	1	EA	KTA1268-GR-AT/P
942	...5	HVTKTC3200GRT	T.R, KTC3200GR	KTC3200GR	Q411	1	EA	KTC3200-GR-AT/P
943	...5	HVTKTA1266YT	T.R, TKTA1266YT	TKTA1266YT	Q412	1	EA	KTA1266-Y-AT/PJ
944	...5	HVTKTC3198YT	T.R, KTC3198Y	KTC3198Y	Q415	1	EA	KTC3198-Y-AT/PJ
945	...5	CVTKTC3204YT	T.R, KTC3204Y-AP/P (TO-92M)		Q416	1	EA	KTC3204-Y-AT/P
946	...5	CVTKTA1272YT	T.R, KTA1272Y-AP/P (TO-92M)		Q417	1	EA	KTA1272-Y-AT/P
947	...5	CVTKTA1272YT	T.R, KTA1272Y-AP/P (TO-92M)		Q418	1	EA	KTA1272-Y-AT/P
948	...5	CVTKTC3204YT	T.R, KTC3204Y-AP/P (TO-92M)		Q419	1	EA	KTC3204-Y-AT/P
949	...5	CRD20TJ121T	RES. CARBON (120 OHM, 5%, 1/5W)	120 OHM 1/5W J	R451	1	EA	
950	...5	CRD20TJ333T	RES. CARBON (33 KOHM, 5%, 1/5W)	33 KOHM 1/5W J	R452	1	EA	
951	...5	CRD25TJ101T	RES. CARBON (100 OHM, 5%, 1/4W)		R453	1	EA	
952	...5	CRD20TJ222T	RES. CARBON (2.2 KOHM, 5%, 1/5W)	2.2 KOHM 1/5W J	R454	1	EA	
953	...5	CRD20TJ102T	RES. CARBON (1 KOHM, 5%, 1/5W)	1 KOHM 1/5W J	R455	1	EA	
954	...5	CRD20TJ102T	RES. CARBON (1 KOHM, 5%, 1/5W)	1 KOHM 1/5W J	R456	1	EA	
955	...5	CRD20TJ560T	RES. CARBON (56 OHM, 5%, 1/5W)	56 OHM 1/5W J	R457	1	EA	
956	...5	CRD20TJ223T	RES. CARBON (22 KOHM, 5%, 1/5W)	22 KOHM 1/5W J	R458	1	EA	
957	...5	CRD20TJ560T	RES. CARBON (56 OHM, 5%, 1/5W)	56 OHM 1/5W J	R459	1	EA	
958	...5	CRD20TJ122T	RES. CARBON	1.2 KOHM 1/5W J	R460	1	EA	
959	...5	CRD20TJ563T	RES. CARBON (56 KOHM, 5%, 1/5W)	56 KOHM 1/5W J	R461	1	EA	
960	...5	CRD20TJ102T	RES. CARBON (1 KOHM, 5%, 1/5W)	1 KOHM 1/5W J	R462	1	EA	
961	...5	CRD20TJ222T	RES. CARBON (2.2 KOHM, 5%, 1/5W)	2.2 KOHM 1/5W J	R463	1	EA	
962	...5	CRD20TJ222T	RES. CARBON (2.2 KOHM, 5%, 1/5W)	2.2 KOHM 1/5W J	R464	1	EA	

963	...5	CRD20TJ273T	RES. CARBON (27 KOHM, 5%, 1/5W)	27 KOHM 1/5W J	R465	1	EA	
964	...5	CRD20TJ223T	RES. CARBON (22 KOHM, 5%, 1/5W)	22 KOHM 1/5W J	R466	1	EA	
965	...5	CRD20TJ911T	RES. CARBON (910 OHM, 5%, 1/5W)	910 OHM 1/5W J	R467	1	EA	
966	...5	CRD20TJ121T	RES. CARBON (120 OHM, 5%, 1/5W)	120 OHM 1/5W J	R468	1	EA	
967	...5	CRD20TJ223T	RES. CARBON (22 KOHM, 5%, 1/5W)	22 KOHM 1/5W J	R469	1	EA	
968	...5	CRD20TJ333T	RES. CARBON (33 KOHM, 5%, 1/5W)	33 KOHM 1/5W J	R470	1	EA	
969	...5	CRD20TJ102T	RES. CARBON (1 KOHM, 5%, 1/5W)	1 KOHM 1/5W J	R471	1	EA	
970	...5	CRD20TJ102T	RES. CARBON (1 KOHM, 5%, 1/5W)	1 KOHM 1/5W J	R472	1	EA	
971	...5	CRD25TJ101T	RES. CARBON (100 OHM, 5%, 1/4W)		R473	1	EA	
972	...5	CRD20TJ222T	RES. CARBON (2.2 KOHM, 5%, 1/5W)	2.2 KOHM 1/5W J	R474	1	EA	
973	...5	CRD20TJ222T	RES. CARBON (2.2 KOHM, 5%, 1/5W)	2.2 KOHM 1/5W J	R475	1	EA	
974	...5	CRD20TJ273T	RES. CARBON (27 KOHM, 5%, 1/5W)	27 KOHM 1/5W J	R476	1	EA	
975	...5	CRD20TJ223T	RES. CARBON (22 KOHM, 5%, 1/5W)	22 KOHM 1/5W J	R477	1	EA	
976	...5	CRD20TJ811T	RES. CARBON (910 OHM, 5%, 1/5W)	910 OHM 1/5W J	R478	1	EA	
977	...5	CRD20TJ560T	RES. CARBON (56 OHM, 5%, 1/5W)	56 OHM 1/5W J	R479	1	EA	
978	...5	CRD20TJ560T	RES. CARBON (56 OHM, 5%, 1/5W)	56 OHM 1/5W J	R480	1	EA	
979	...5	CRD20TJ122T	RES. CARBON	1.2 KOHM 1/5W J	R481	1	EA	
980	...5	CRD20TJ563T	RES. CARBON (56 KOHM, 5%, 1/5W)	56 KOHM 1/5W J	R482	1	EA	
981	...5	CRD20TJ102T	RES. CARBON (1 KOHM, 5%, 1/5W)	1 KOHM 1/5W J	R483	1	EA	
982	...5	CRD20TJ222T	RES. CARBON (2.2 KOHM, 5%, 1/5W)	2.2 KOHM 1/5W J	R484	1	EA	
983	...4	CQB1D022	A-ROHS/LABEL SERIAL			1	EA	
984	...4	CMD1A569	BRACKET, PCB		BK41	1	EA	
985	...4	CMD1A569	BRACKET, PCB		BK42	1	EA	
986	...4	CWB1C90512058002	WIRE ASSY (SHIELD, 5PIN, 2.0MM, 120MM)		BN41	1	EA	
987	...4	CWB1C90710047001	WIRE ASSY (SHIELD, 7PIN, 2.0MM, 100MM)		BN42	1	EA	
988	...4	CWB1C90920047001	WIRE ASSY (SHIELD, 9PIN, 2.0MM, 350MM)		BN45	1	EA	
989	...4	CJP09GA115ZY	WAFER, CARD CABLE		CN41	1	EA	12511HS-09
990	...4	CJP07GB113ZY	WAFER, CARD CABLE		CN42	1	EA	
991	...4	CJP07GF2302B	PIN HEADER, 7PANGLE (P/H2.54 1X7X90 L=20.5)		CN44	1	EA	
992	...4	CJP07GF2302B	PIN HEADER, 7PANGLE (P/H2.54 1X7X90 L=20.5)		CN46	1	EA	
993	...4	CJ4N023Z	JACK, REMOTE (2P)	GOLD PLATE	JK41	1	EA	GOLD PLATE
994	...4	CWVE8202140AR	WIRE ASSY (1P)	140MM	JW41	1	EA	
995	...4	HVT2SC2911S	T.R	25C2911S	Q406	1	EA	25C2911S
996	...4	HVT2SA1209S	T.R	2SA1209S	Q407	1	EA	2SA1209S/T
997	...4	HVT2SC2911S	T.R	25C2911S	Q413	1	EA	25C2911S
998	...4	HVT2SA1209S	T.R	2SA1209S	Q414	1	EA	2SA1209S/T
999	...4	CVV9Y14A503Z	VOLUME, MOTOR		VR41	1	EA	
1000	...3	CTB3+10JFZR	SCREW			11	EA	
1001	...3	CTB3+6FFZR	SCREW			4	EA	
1002	...3	CTB3+6JR	SCREW			10	EA	
1003	...3	CTB3+8JFZR	SCREW			14	EA	
1004	...3	CTW3+12JR	SCREW			3	EA	
1005	...3	CTW3+16JR	SCREW			2	EA	
1006	...3	CTW3+6JR	SCREW			2	EA	
1007	...3	CTW3+8JR	SCREW			8	EA	
1008	...3	CUASA148	BOTTOM, CHASSIS			1	EA	
1009	...3	CWC4C4A09B300B08BK	FFC CABLE 1.25MM 9P 300MM			1	EA	
1010	...3	CWZPM5003TW91A	2P WIRE ASSY (100MM)			1	EA	
1011	...4	CJ8A006ZW	RECEPTACLE, AC (15A/250V,R-301,B21)	R-301(B21)	RT01	1	EA	R-301-(B21)
1012	...4	CWZPM5003TW91	2P WIRE ASSY (100MM)		TW91	1	EA	
1013	...3	KBA2C4000TLEZ	FUSE, T4A L 250 V			1	EA	
1014	...3	KMA2A001	TERMINAL, GROUND			1	EA	
1015	1	CHE154	CLAMPER, ARM			0.12	M	
1016	1	CJA2E077Z	CORD, POWER	10A/125V		1	EA	10A/125V
1017	1	CPB1A008Z	BAG, POLY			1	EA	ALL MODEL
1018	1	CPB1A013Y	BAG, POLY			1	EA	STA-3760/50
1019	1	CPG1A550X	BOX, OUT CARTON			1	EA	
1020	1	CPL18A5M	STAPLE			8	EA	
1021	1	CPS1A396	PAD, SNOW			1	EA	A-R600EURCC
1022	1	CPS1A397	PAD, SNOW			1	EA	A-R600EURCC
1023	1	CQB1A622	LABEL, SERIAL NO			1	EA	DVD-310
1024	1	CQB1A918	LABEL, BAR CODE			2	EA	
1025	1	CQB1A978	LABEL, BAR CODE (SET)			1	EA	
1026	1	CQS1A001	RIBON, BAR CODE	SONY(TR-4070)		0.12	M	SONY(TR-4070)
1027	1	CQXAR650UK	MANUAL ASSY			1	EA	
1028	2	CABR03PPB	BATTERY, AAA 2PCS IN PACK			2	EA	00D3940012003
1029	2	CARTAR650	REMOTE TRANSMITTER ASSY UR-431			1	EA	KRC-58A43RC
1030	2	CPB1061W	BAG, POLY (ENGLISH/FRANCH)	FRANCE LANGUAGE ADDED		1	EA	
1031	2	CPL0905	STAPLE			3	EA	
1032	2	CQB1A971	LABEL, BAR CODE (MANUAL)			1	EA	
1033	2	CQE1A370Y	WARRANTY CARD (EUR,UK)			1	EA	
1034	2	CQX1A1523Z	MANUAL, INSTRUCTION (EFGSIN)			1	EA	
1035	1	C4FC240CL	TAPE, P.P (24mm*50mm)			0.2	M	
1036	1	C4FC500CL	TAPE, OPP			1	M	

A-R630/A-R650

TEAC

TEAC CORPORATION 1-47,Ochiai, Tamashi, Tokyo 206-8530, Japan Phone: (042) 356-9155

TEAC AMERICA, INC. 7733 Telegraph Road, Montebello, California 90640 Phone: (323) 726-0303

TEAC CANADA LTD. 5939 Wallace Street, Mississauga, Ontario L4Z 1Z8, Canada Phone: (905) 890-8008

TEAC MEXICO, S.A. De C.V Rio Churubusco 364, Colonia Del Carmen, Delegación Coyoacán, CP 04100, México DF, México Phone: (5255) 5010-6000

TEAC UK LIMITED Unit 19 & 20, The Courtyards, Hatters Lane, Watford, Hertfordshire, WD18 8TE, U.K. Phone: (0845) 130-2511

TEAC EUROPE GmbH Bahnstrasse 12, 65205 Wiesbaden-Erbenheim, Germany Phone: 0611-71580
