

REC/PLAY AMPL PCB
 UI01 JRC-45580-D
 UI02 RC-4558T1
 UI03 BIAS AMPL

OUT SELECT PCB
 Q201, Q203 25C1684S
 Q202, Q204 25A720G
 D201~D207 1S2473HJ

MASTER OSC PCB
 U301 OSC UNIT
 Q301 25C1684S
 Q302 25A564R

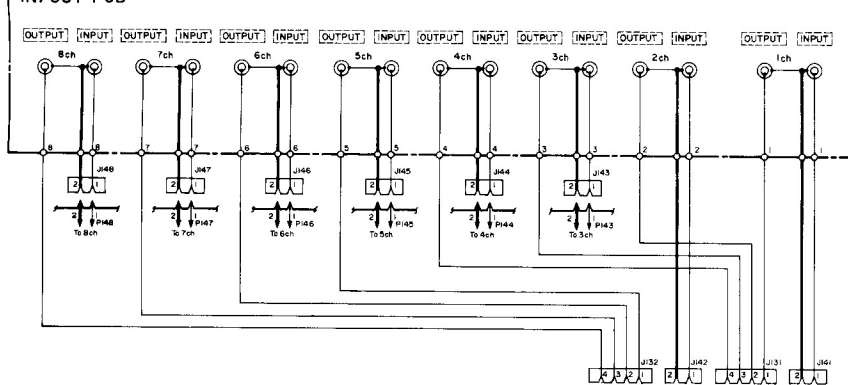
Q101, Q103 }
 Q105~Q107 } 2SK68AM
 Q110 }
 Q108, Q111 }
 Q118, Q120 } 25C1684S
 Q109, Q112 } 25A733P
 Q119 } 25C1318S

OUT SELECT LED PCB
 D251 GL-9PR2
 D252 GL-9HY2
 D253 GL-9PG2

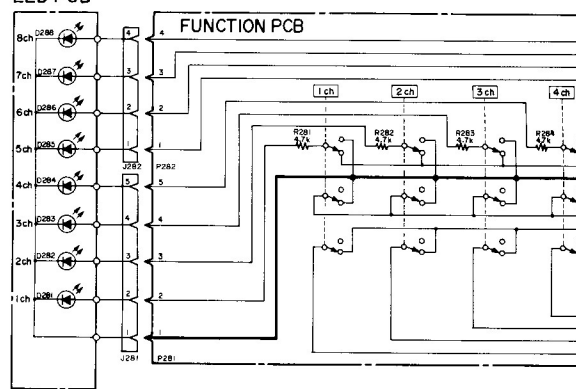
D101, D102 }
 D104 } 1S2473HJ
 D105~D109 }
 D112 }
 D114~D120 }
 D110, D111 } IN60

FUNCTION LED PCB
 D281~D288 GL-9PR2

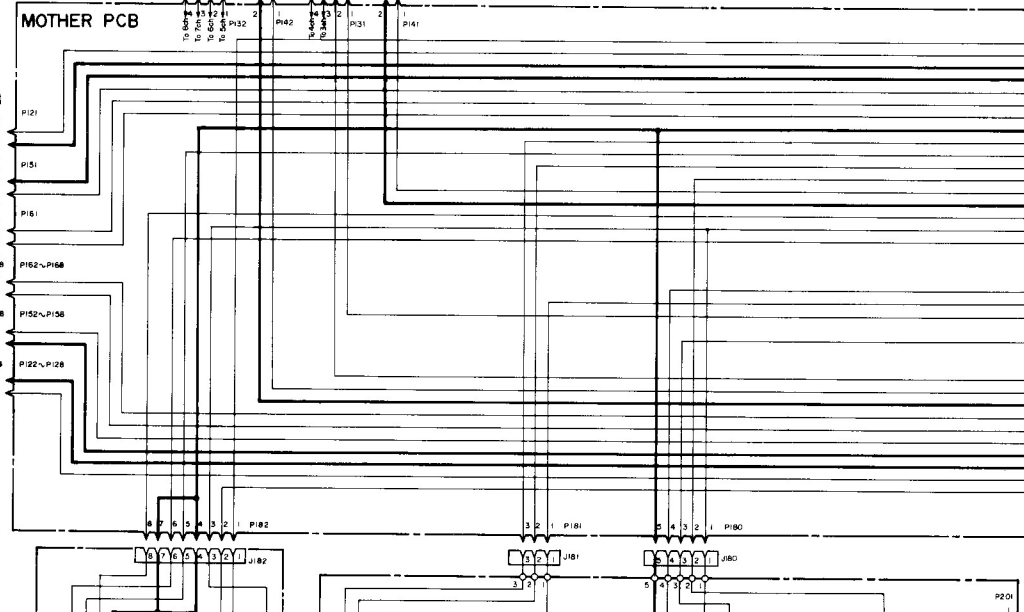
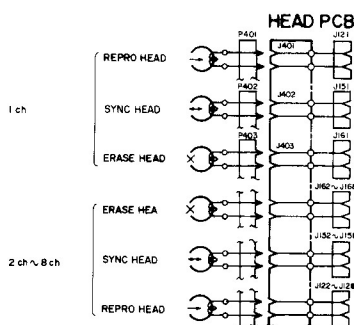
IN/OUT PCB



FUNCTION LED PCB



MOTHER PCB



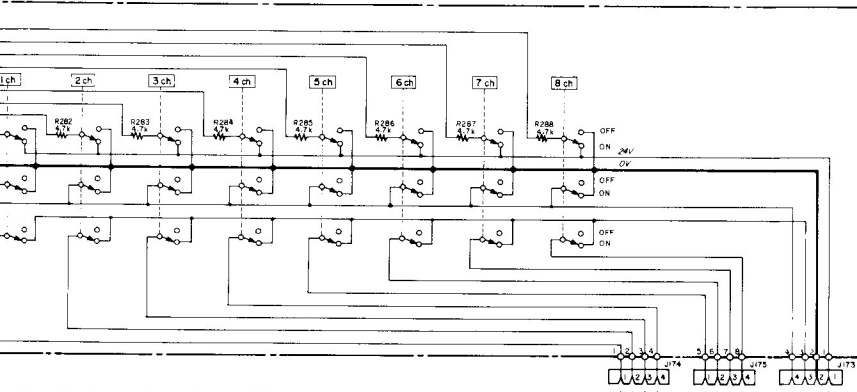
845
 00
 84J
 MASTER OSC PCB
 U301 OSC UNIT
 Q301 25C1684S
 Q302 25A564R

PCB
 PR2
 PR2
 PR2

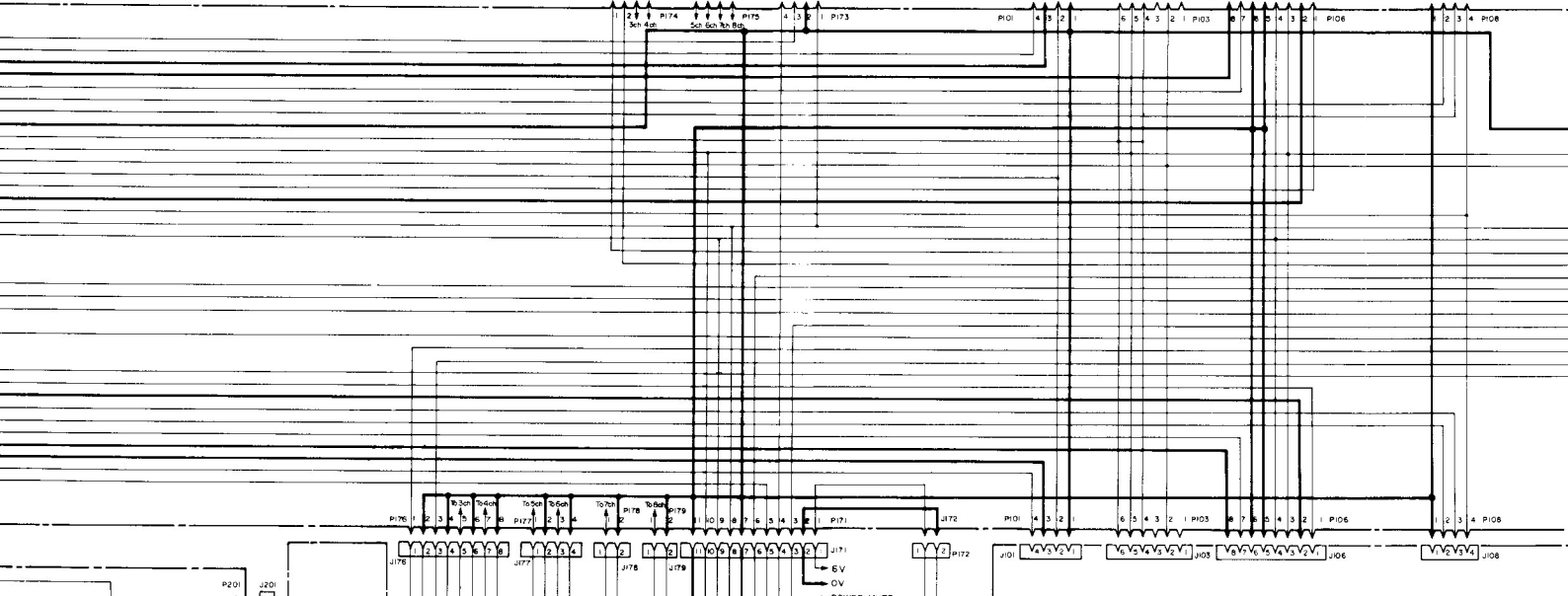
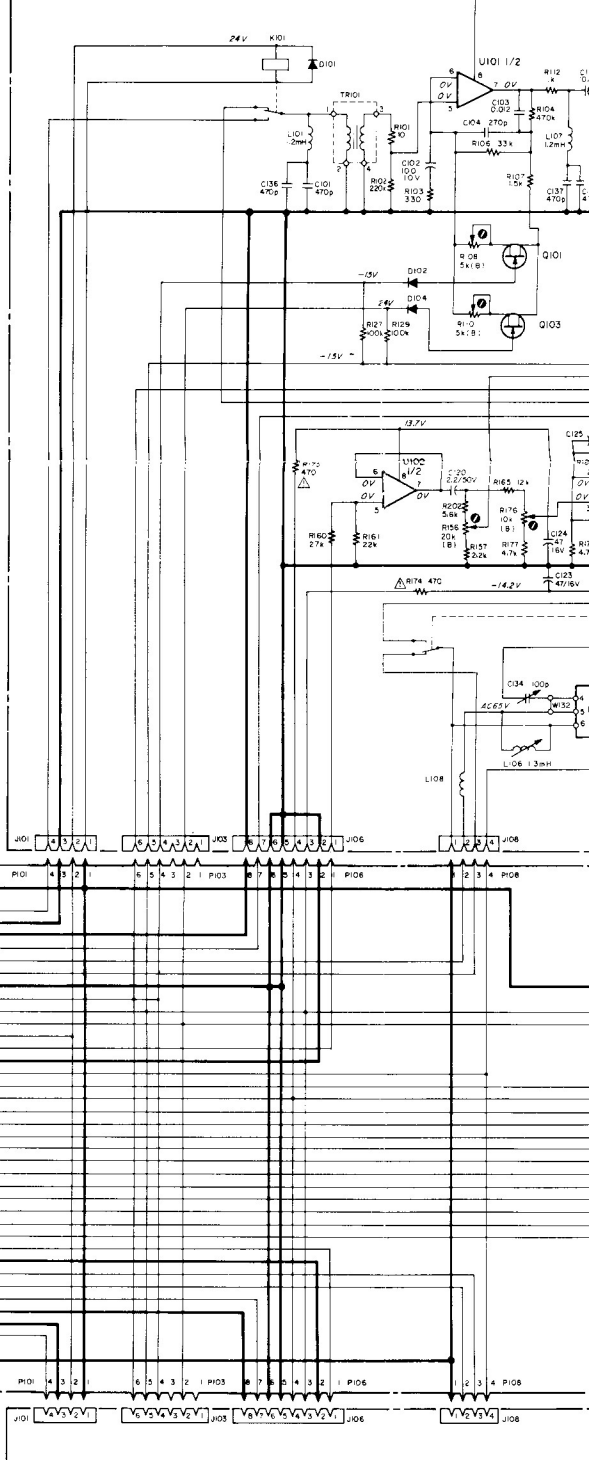
CB
 PR2

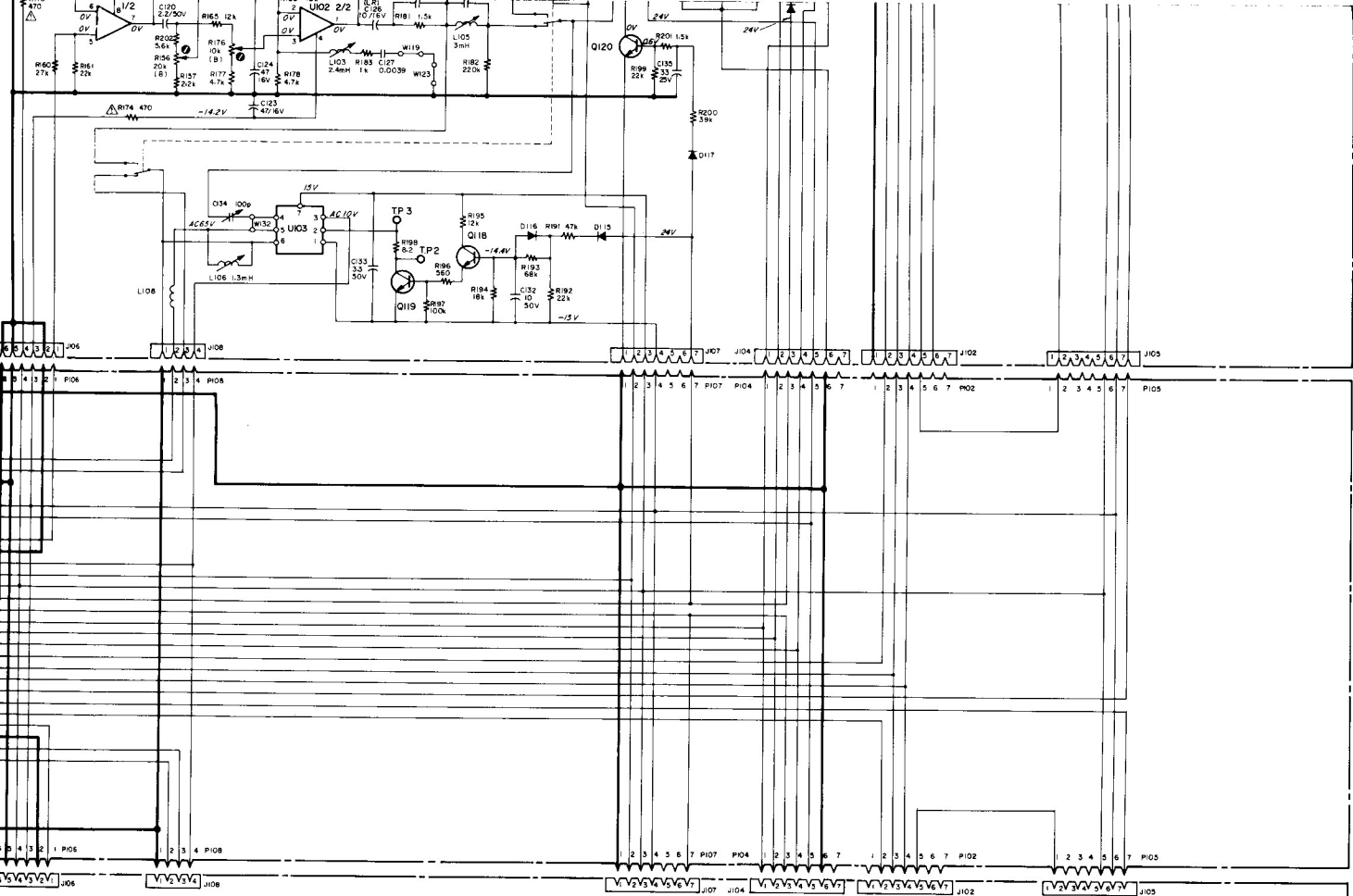
NOTES

1. ALL RESISTORS ARE 1/4 WATT, 5 %, UNLESS MARKED OTHERWISE. RESISTOR VALUES ARE IN OHMS (k = 1,000 OHMS, M = 1,000,000 OHMS).
2. ALL CAPACITOR VALUES ARE IN MICROFARADS (p = PICOFARADS).
3. SCHEMATIC DIAGRAM SHOWN FOR ONE CHANNEL EXCEPT FOR SOME OF THE COMPONENTS.
4. Δ PARTS MARKED WITH THIS SIGN ARE SAFETY CRITICAL COMPONENTS. THEY MUST ALWAYS BE REPLACED WITH IDENTICAL COMPONENTS — REFER TO THE TEAC PARTS LIST AND ENSURE EXACT REPLACEMENT.

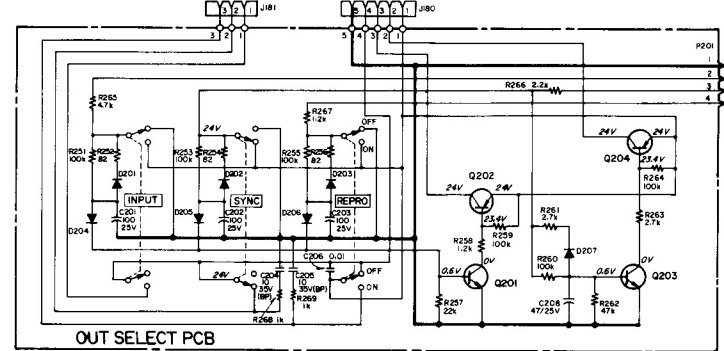
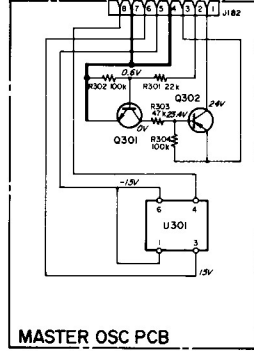
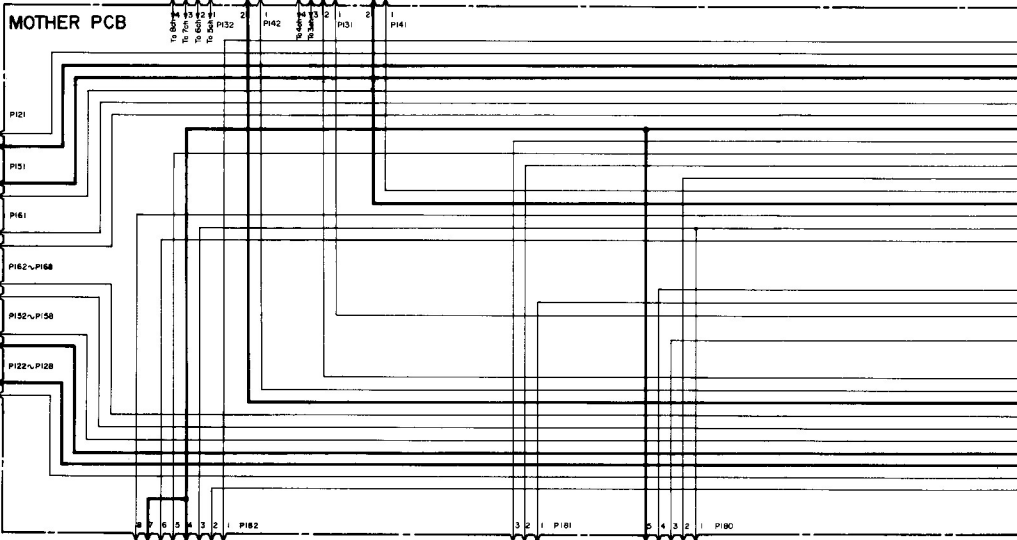
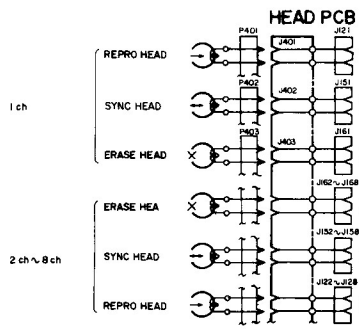
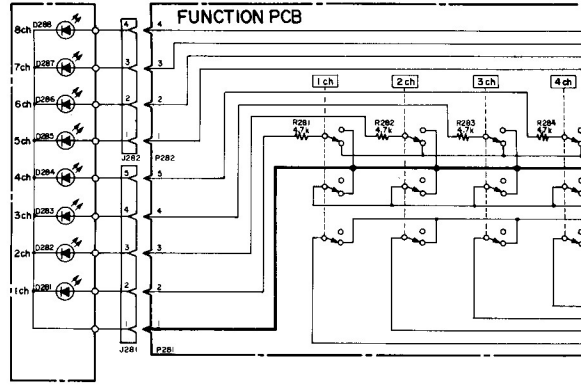
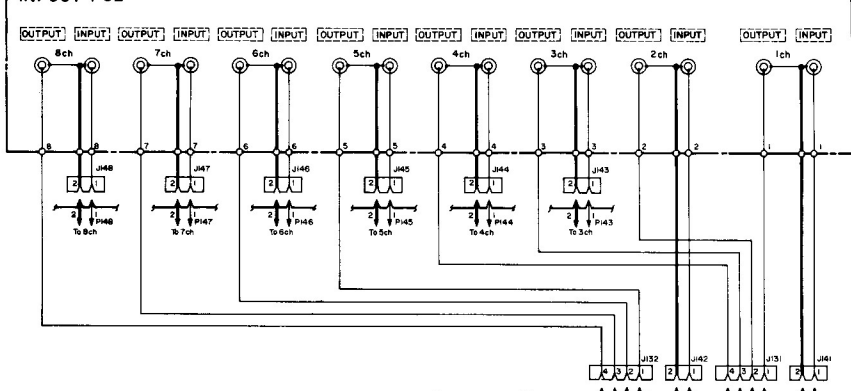


1ch REC/PLAY AMPL. PCB





2ch ~ 8ch REC/PLAY AMPL PCB



CONTROL PCB

U501~U504 SN7400N
 U505 SN7474N
 U506~U514 SN7400N
 U515~U517 μ PC393
 U518 LM2902
 U519 HS4410P

Q501, Q502 2SC1684S
 Q504~Q513 2SC1684S
 Q514 2SA564R
 Q515 2SC1684S
 Q516 2SC945AK
 Q517~Q523 2SC1684S
 Q524 2SC945AK
 Q525, Q529 2SA733P
 Q526, Q527 2SC1684S
 Q528 2SC945AK
 Q530, Q531 2SC1684S
 Q532, Q534 2SC945AK
 Q533 2SA733P

Q535 2SA720Q
 Q536 2SD313E
 Q537 2SC945AK
 Q538 2SD794Q
 Q539, Q540 2SC1684S
 Q541 2SD794Q
 Q542 2SC945AK
 Q543 2SA733P
 Q544~Q550 2SC945AK
 Q551 2SA733P
 Q552 2SC945AK
 Q553 2SA733P
 Q554, Q556 2SD313E
 Q558 2SC945AK
 Q559 2SB507E

D501~D507 IS2473HJ
 D509, D509 ISR35-200H
 D510 IS2473HJ
 D514 S3V-20H
 D515 ISR35-200H
 D517~D520 IS2473HJ
 D521 ISR35-200H
 D522, D523 IS2473HJ
 D524 S3V-20H
 D525~D531 IS2473HJ
 D532 ISR35-200H
 D533~D536 IS2473HJ
 D537~D539 IS2473HJ

NOTES

1. ALL RESISTORS ARE 1/4 WATT, 5 %, UNLESS MARKED OTHERWISE. RESISTOR VALUES ARE IN OHMS (k = 1,000 OHMS, M = 1,000,000 OHMS).
2. ALL CAPACITOR VALUES ARE IN MICROFARADS (p = PICO FARADS).
3. Δ PARTS MARKED WITH THIS SIGN ARE SAFETY CRITICAL COMPONENTS - REFER TO THE TEAC PARTS LIST AND ENSURE EXACT REPLACEMENT.

POWER SUPPLY PCB

U801 7805H
 Q801 2SC164S
 Q802 2SC1318S
 Q803 2SD313E
 Q804~Q806 2SC945AK
 Q807 2SD313E
 Q808, Q809 2SA733P
 Q810 2SB507E
 Q811, Q812 2SC945AK
 Q813 2SA720Q
 D801~D805 ISR35-200H
 D806 IS2473HJ
 D807~D810 ISR35-200H
 D81 WZ-061
 D812~D815 ISR35-200H
 D816 WZ-061
 D817 IS2473HJ
 D818 D488
 D819 D5FB20
 D820~D823 ISR35-200H
 D824 WZ-240
 D825 WZ-140

PUNCH IN/OUT PCB

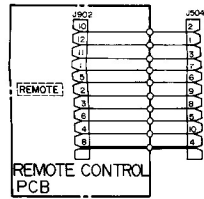
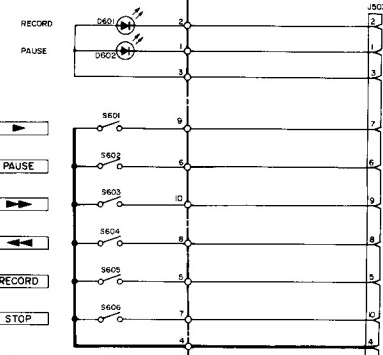
Q901, Q902 2SC1684S

SENDER / SHUT OFF PCB

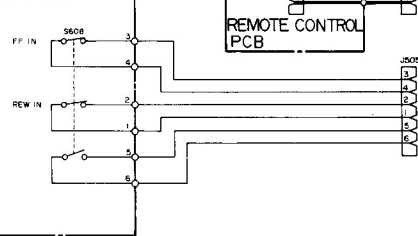
PH501 SM3B
 PH502, PH503 SJ3W

MARK X : RESISTER, METAL TYPE

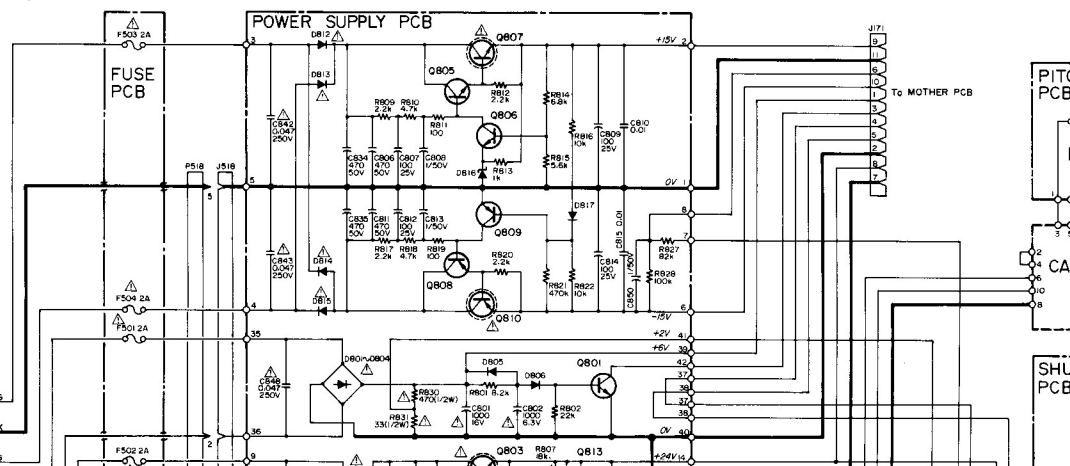
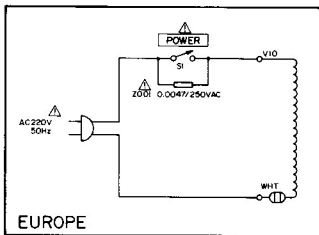
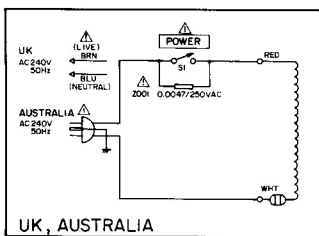
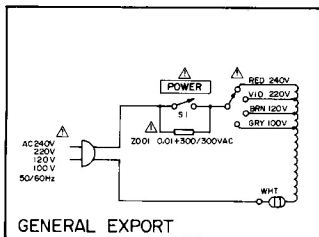
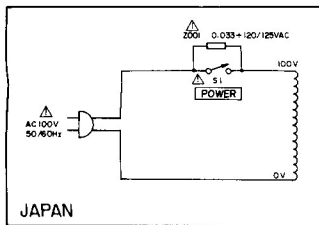
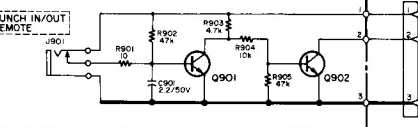
KEY BOARD PCB



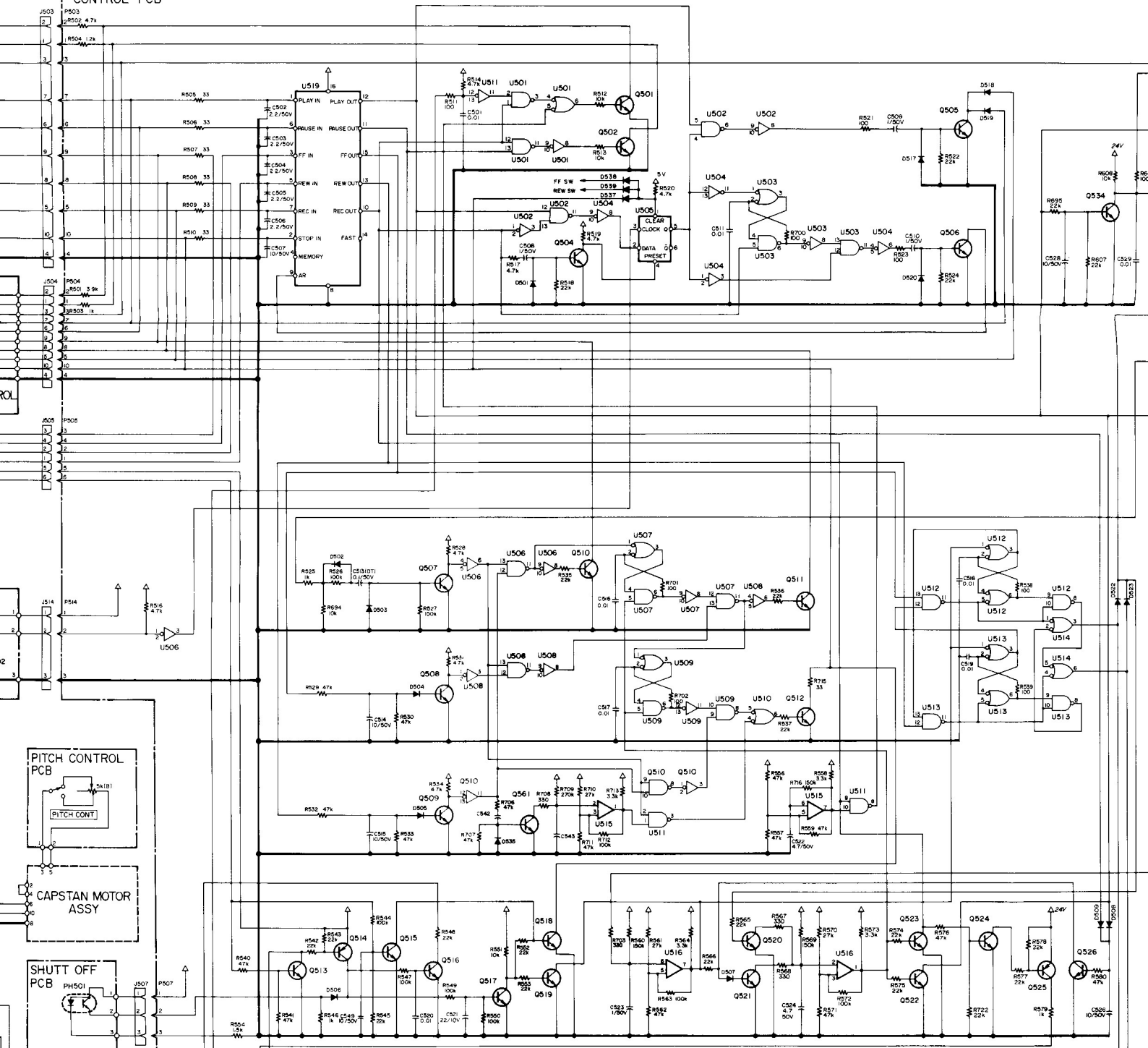
EDIT PCB

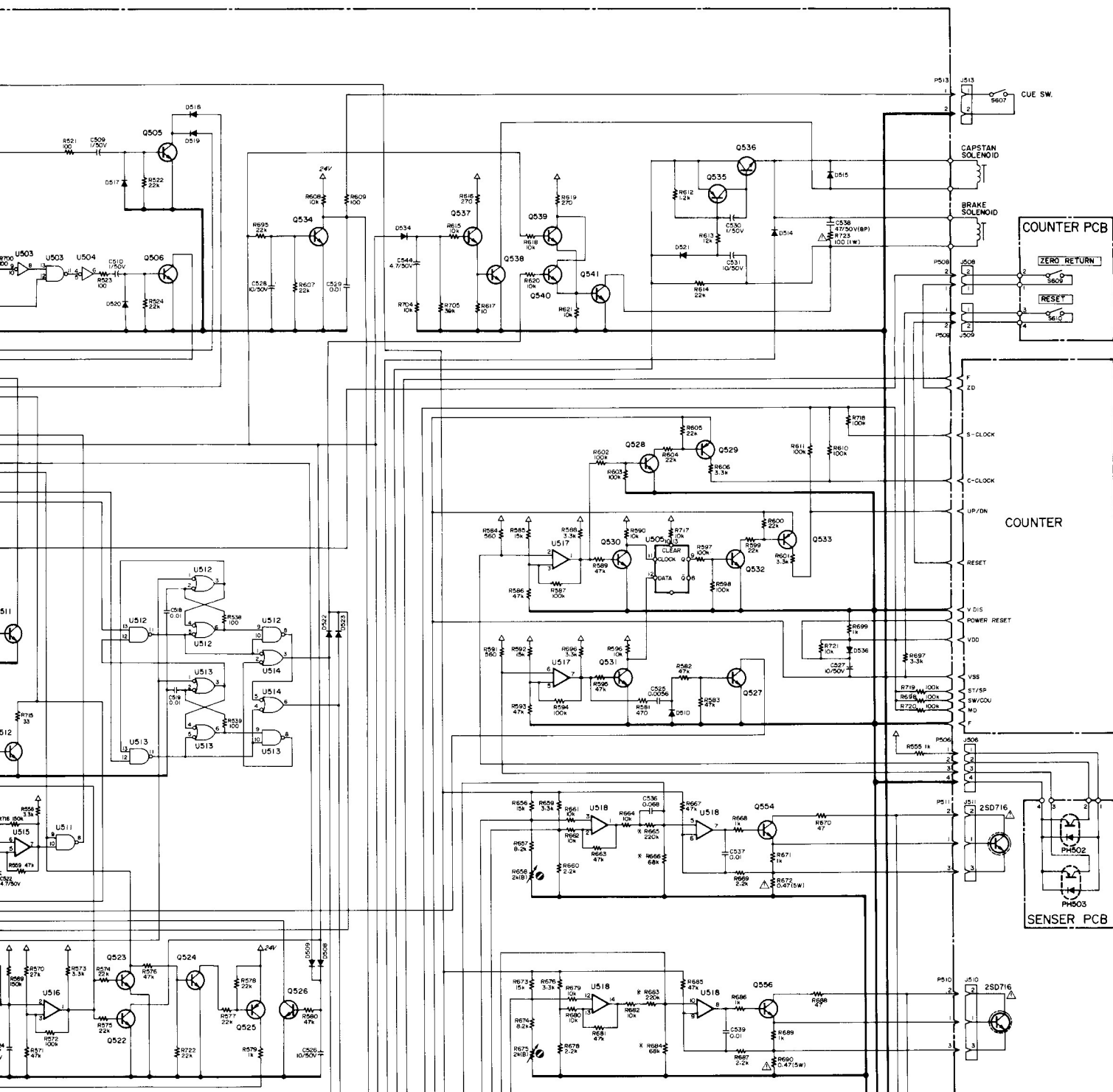


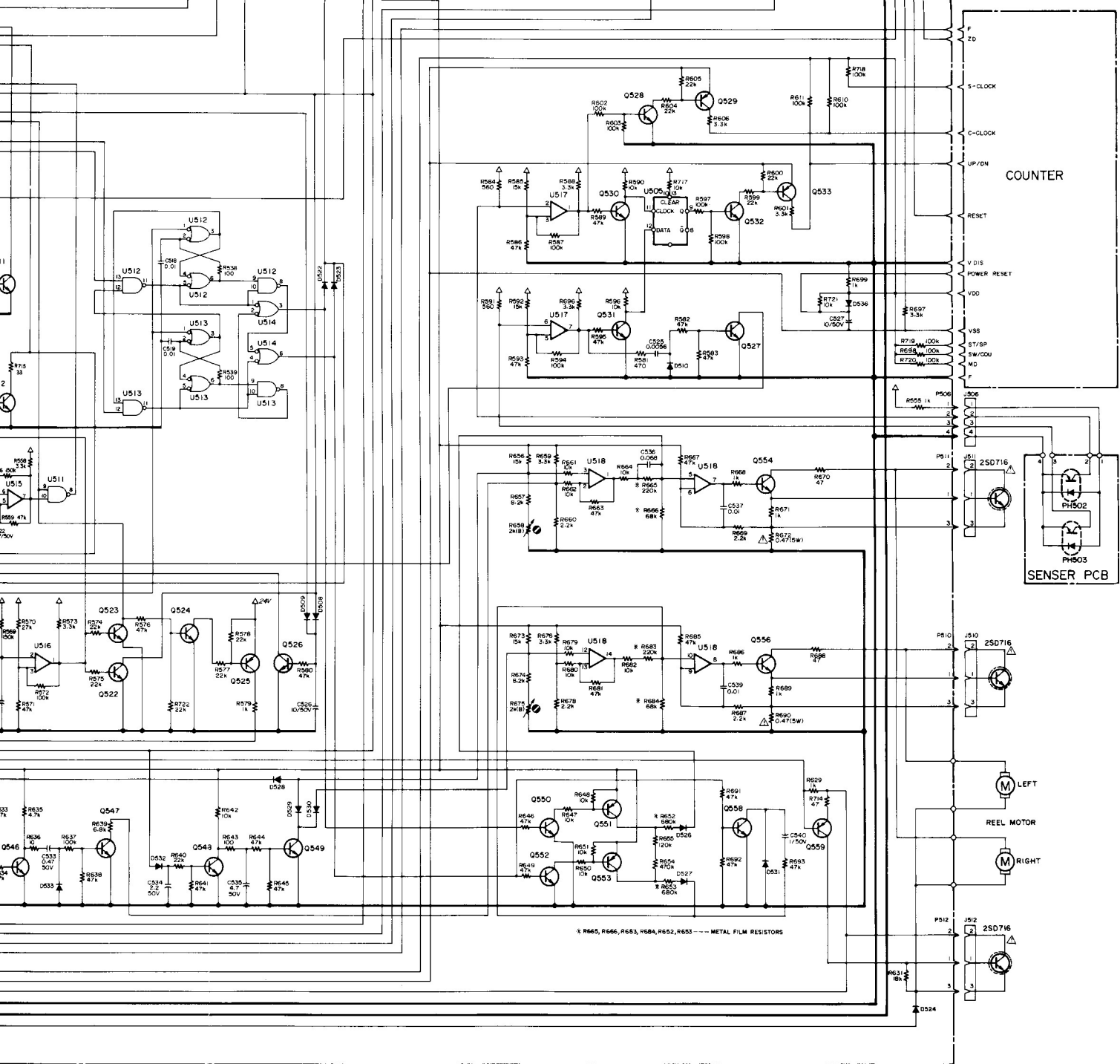
PUNCH IN/OUT PCB

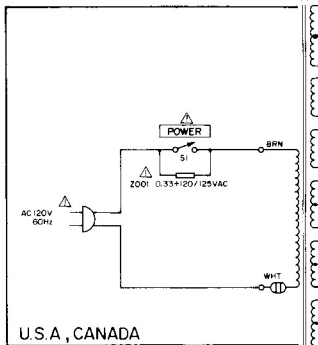
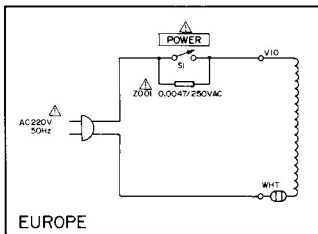
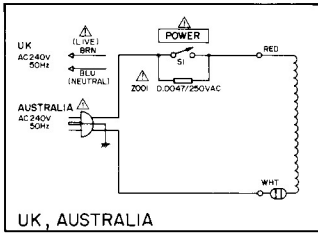
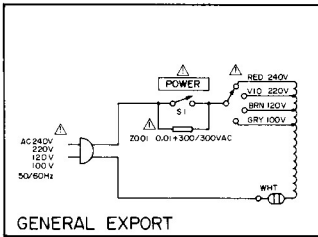
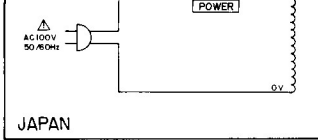


CONTROL PCB









D501~D507
D508, D509
D510
D514
D515
D517~D520
D521
D522, D523
D524
D525~D531
D532
D533~D536
D537~D539

IS2473HJ
ISR35-200H
IS2473HJ
S3V-20H
ISR35-200H
IS2473HJ
IS2473HJ
S3V-20H
IS2473HJ
ISR35-200H
IS2473HJ
IS2473HJ

MARK X RESISTOR, METAL TYPE

NOTES

1. ALL RESISTORS ARE 1/4 WATT, 5 %, UNLESS MARKED OTHERWISE. RESISTOR VALUES ARE IN OHMS (k = 1,000 OHMS, M = 1,000,000 OHMS).
2. ALL CAPACITOR VALUES ARE IN MICROFARADS (p = PICOFARADS).
3. ⚠ PARS MARKED WITH THIS SIGN ARE SAFETY CRITICAL COMPONENTS - REFER TO THE TEAC PARTS LIST AND ENSURE EXACT REPLACEMENT.

