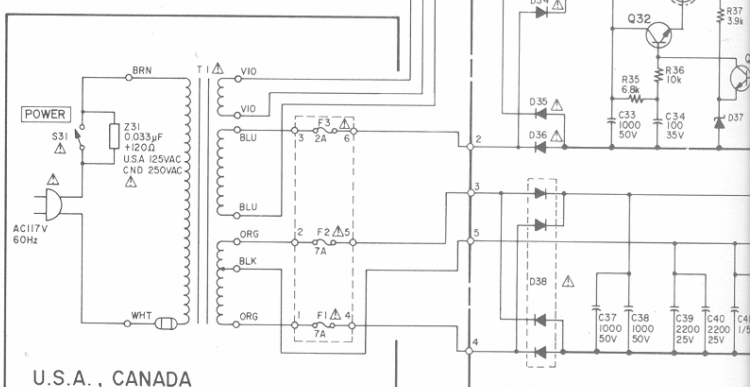
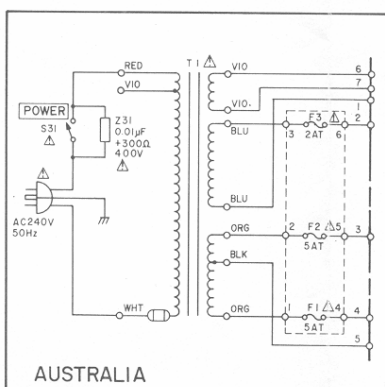
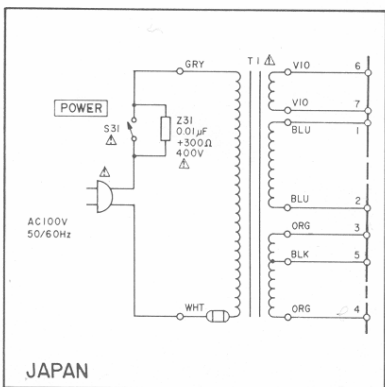
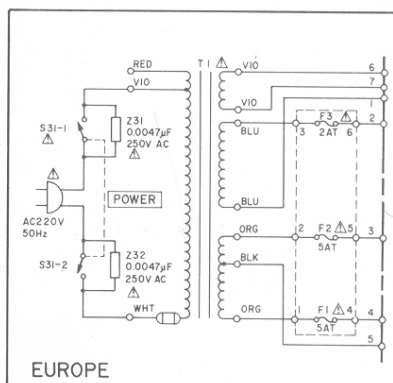
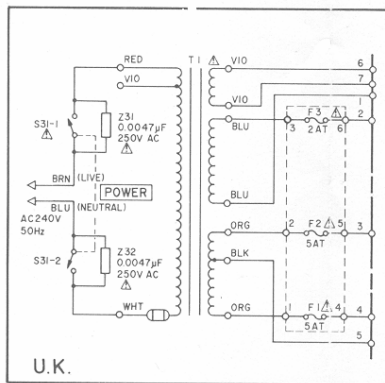
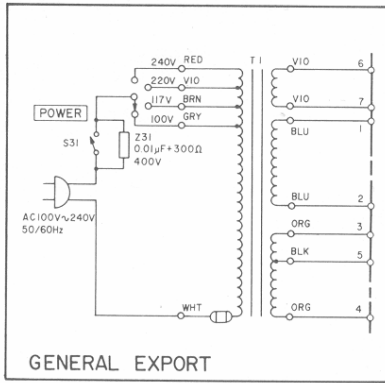
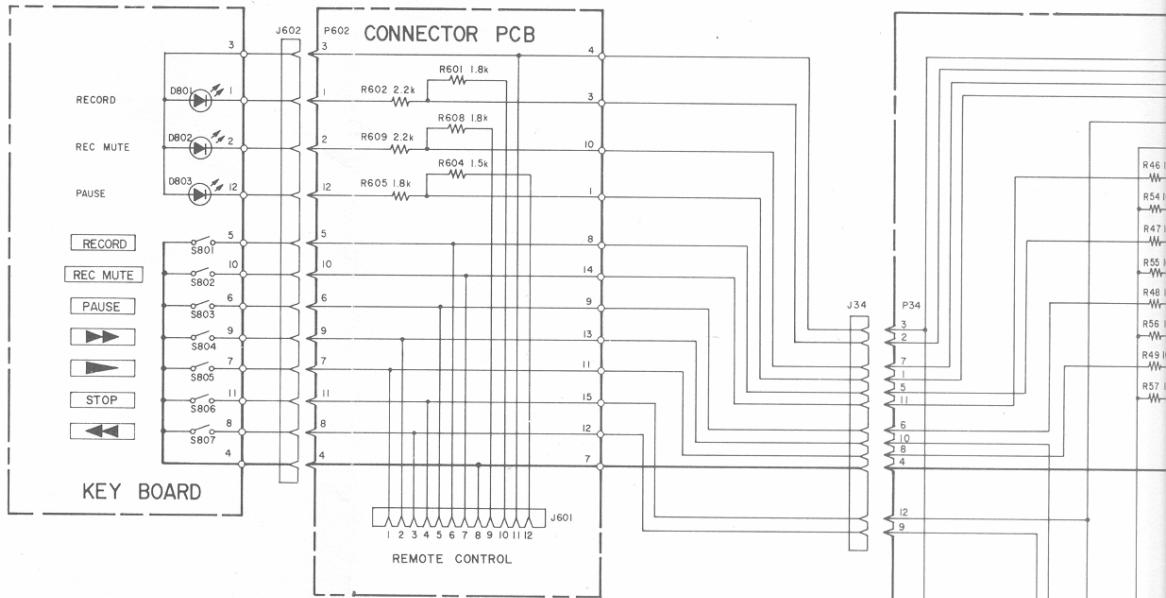


TEAC[®]

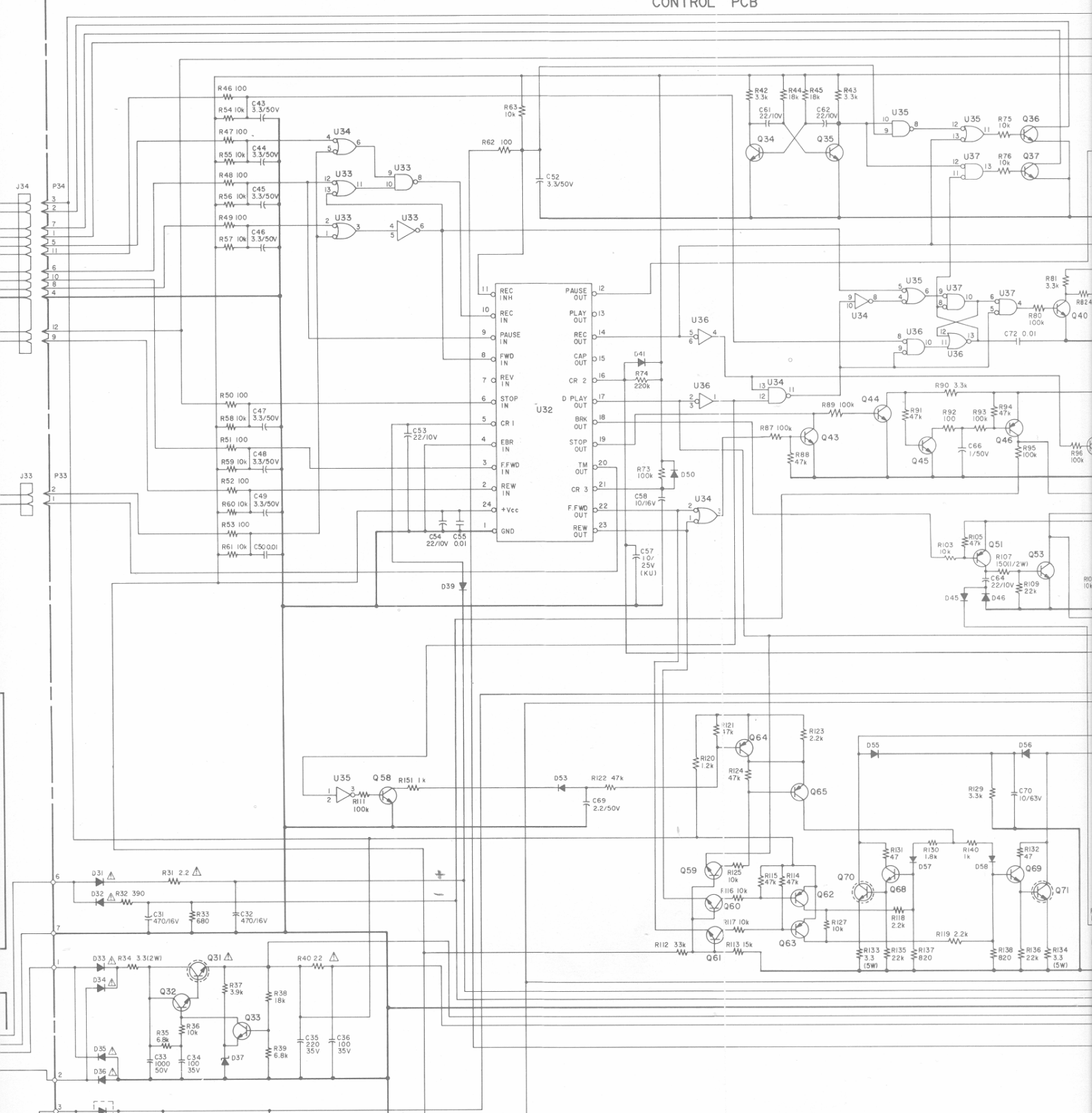
■ Schematic Diagrams ■ Diagrammes schématiques
■ Schematische Diagrammen ■ Schematische Diagramme ■ Diagramas esquemáticos

X-7

Stereo Tape Deck
Platine de magnétophone stéréo
Stereo bandrecorderdeck
Stereo-Tonbanddeck
Tape deck estéreo

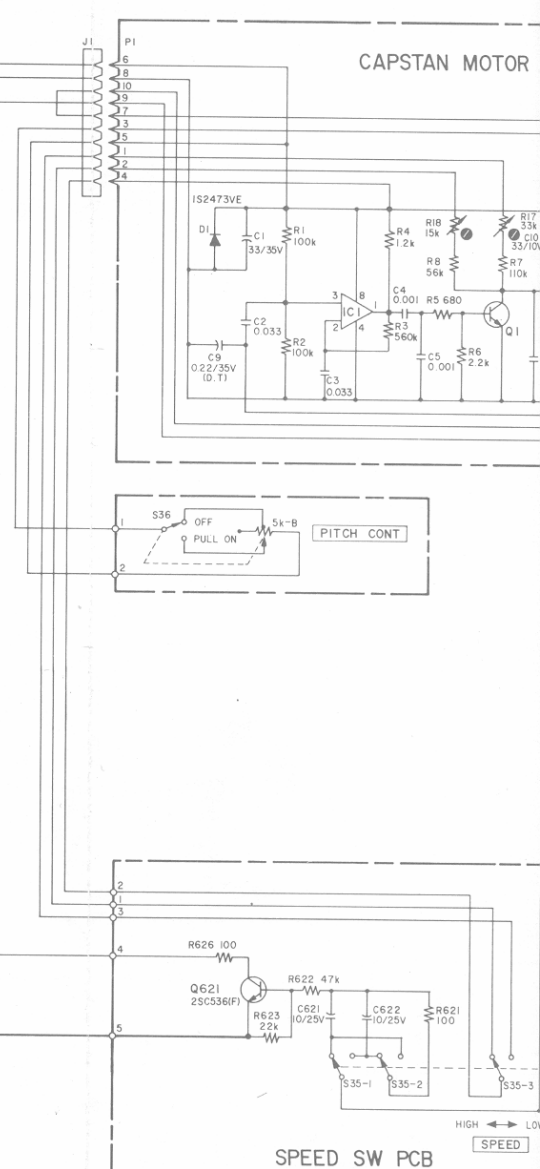
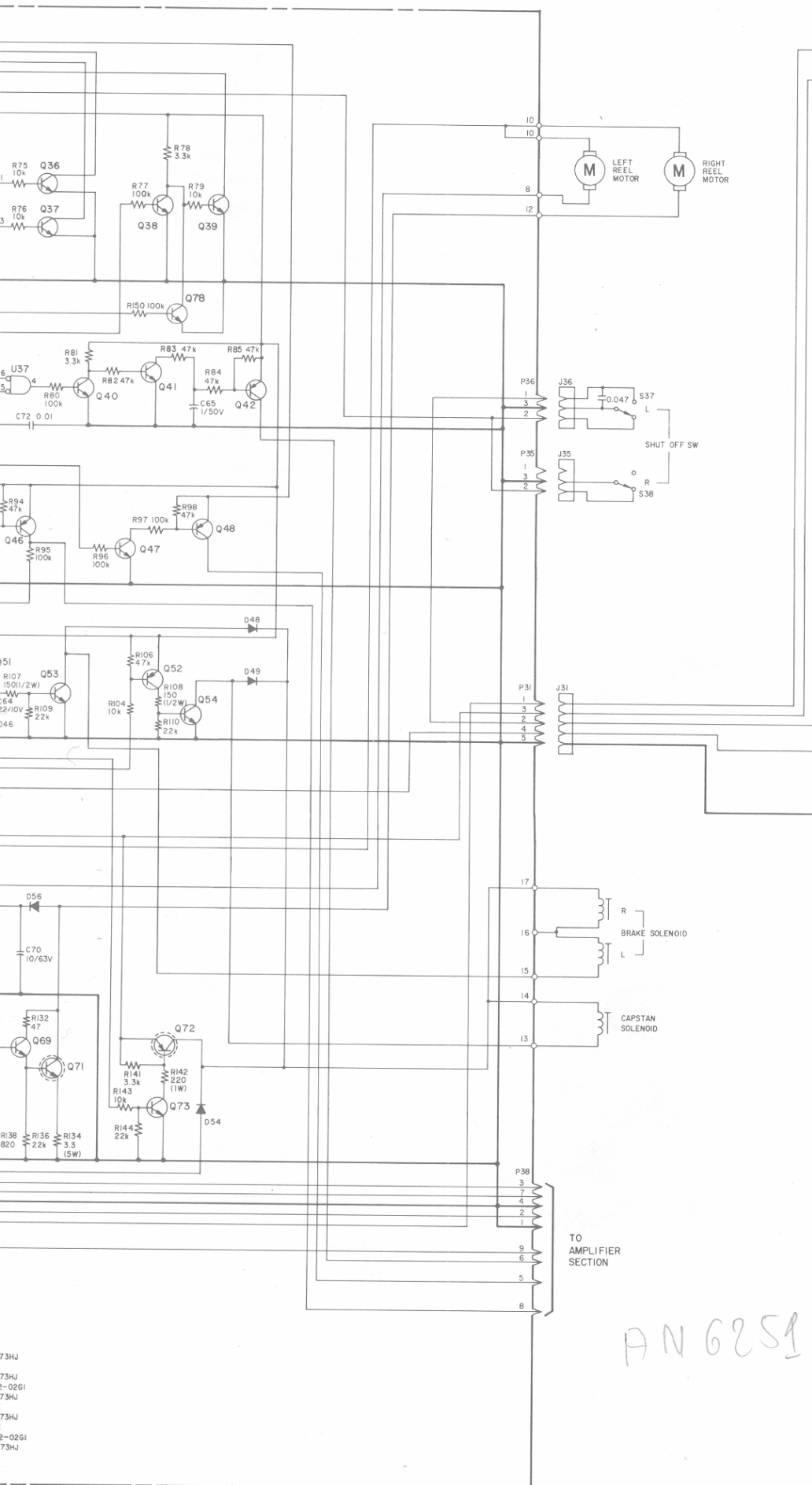


CONTROL PCB



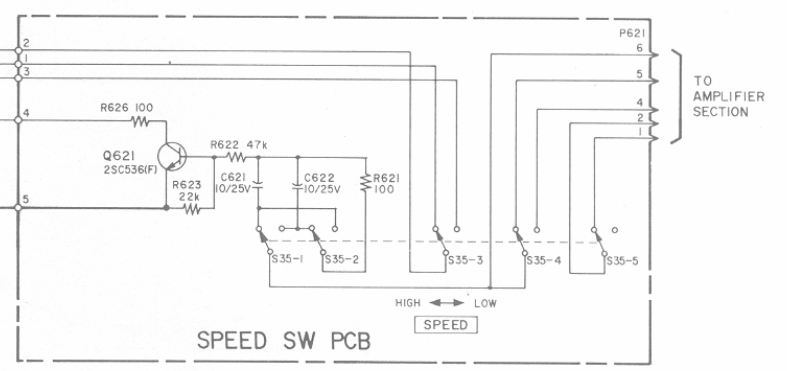
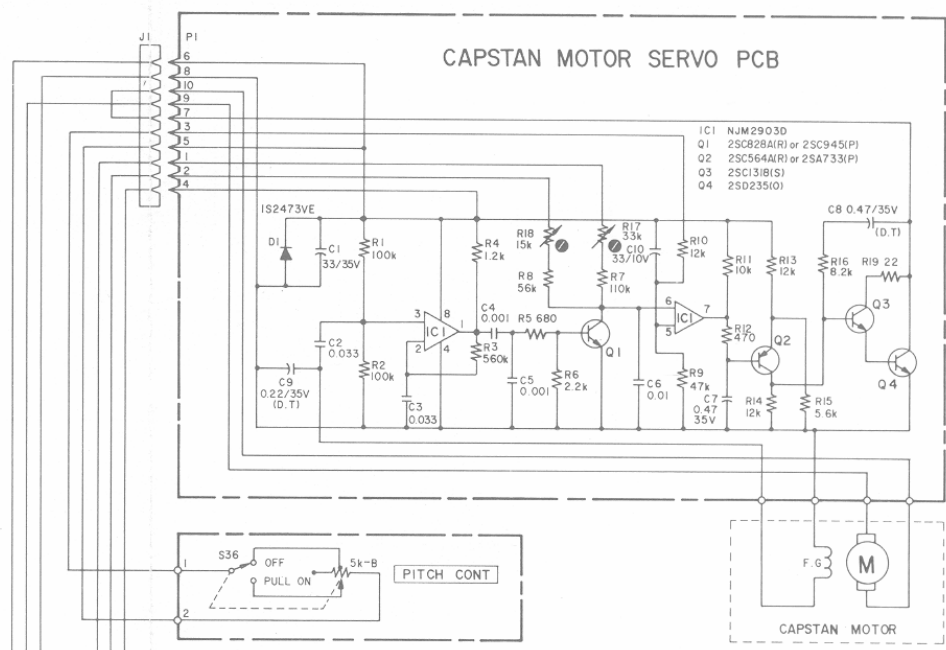
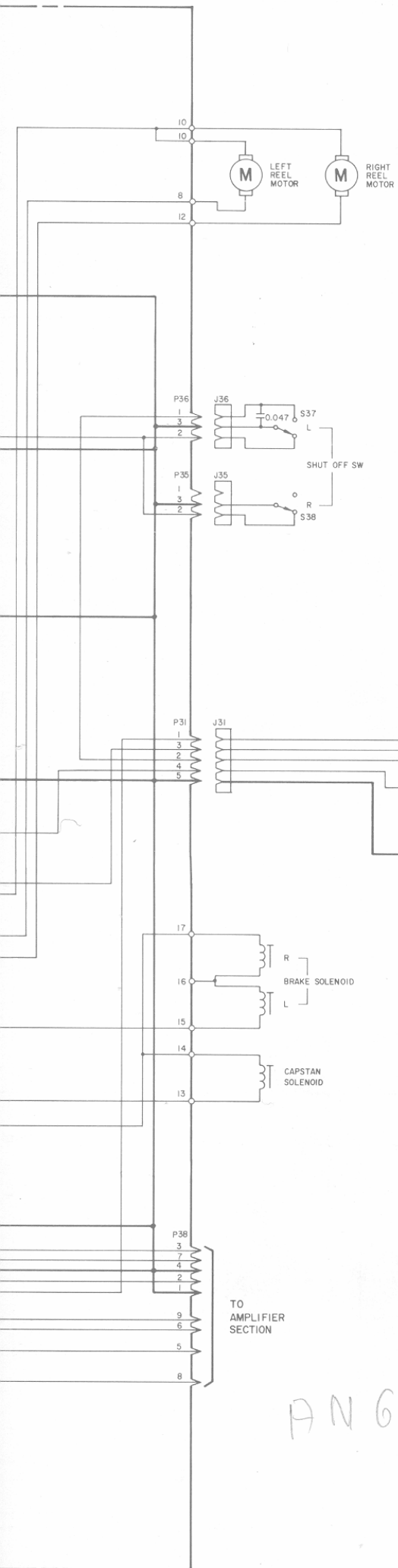
U31	NJM78M05A	Q46	2SA733(P)	Q68, Q69	2SC1318(S)	D39, D41	IS2473HU
U32	ANG251	Q47	2SC536(F)	Q70, Q71	2SD313(E)	D45, D46	IS2473HU
U33~U35	HD7400P or SN7400N	Q48	2SA733(P)	Q72	2SB507(E)	D48, D49	ERB2-02G1
U36, U37	HD7402P or SN7402N	Q51, Q52	2SA733(P)	Q73	2SC1318(S)	D50	IS2473HU
Q31	2SD313(E)	Q53, Q54	2SC1061(C)	Q78	2SC536(F)	D53	IS2473HU
Q32	2SC1318(S)	Q55~Q61	2SC536(F)	D31~D36	ERB2-02G1	D54	U05C
Q33~Q41	2SC536(F)	Q62~Q65	2SA733(P)	D37	EQA01-06S	D55, D56	ERB2-02G1
Q42	2SA733(P)			D38	M4C-51	D57, D58	IS2473HU
Q43~Q45	2SC536(F)						

+5V to Pin#14 at U33~U37
+Vcc to Pin#24 at U33~U37



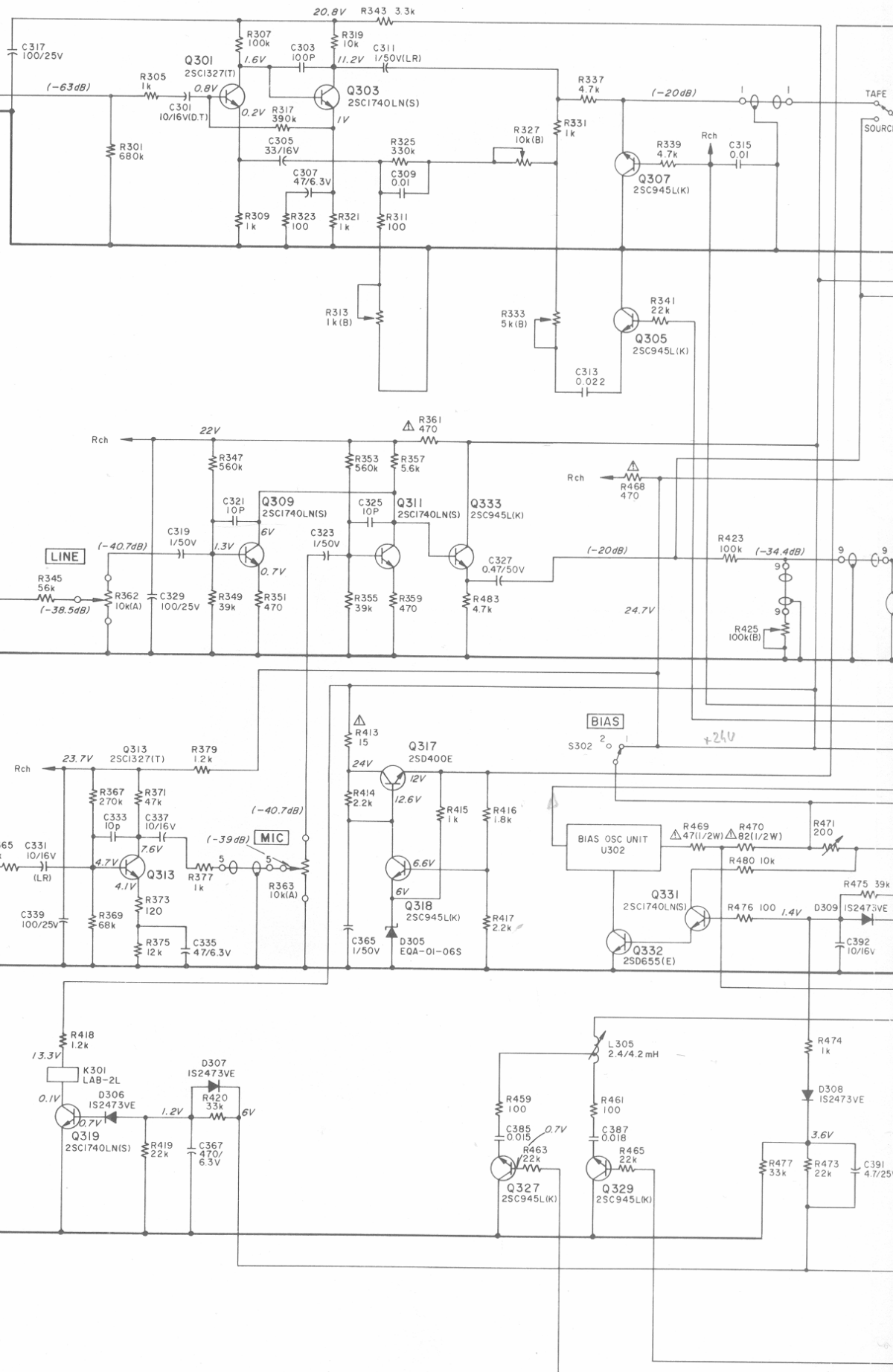
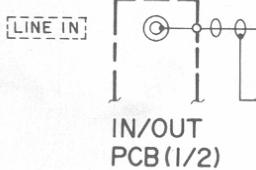
AN 6251

73HJ
73HJ
1-0201
73HJ
73HJ
73HJ
2-0251
73HJ



AN 6251

REC AND PLAY AMPL PCB



△ NON-FLAMMABLE RESISTOR

