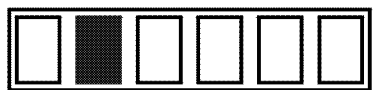
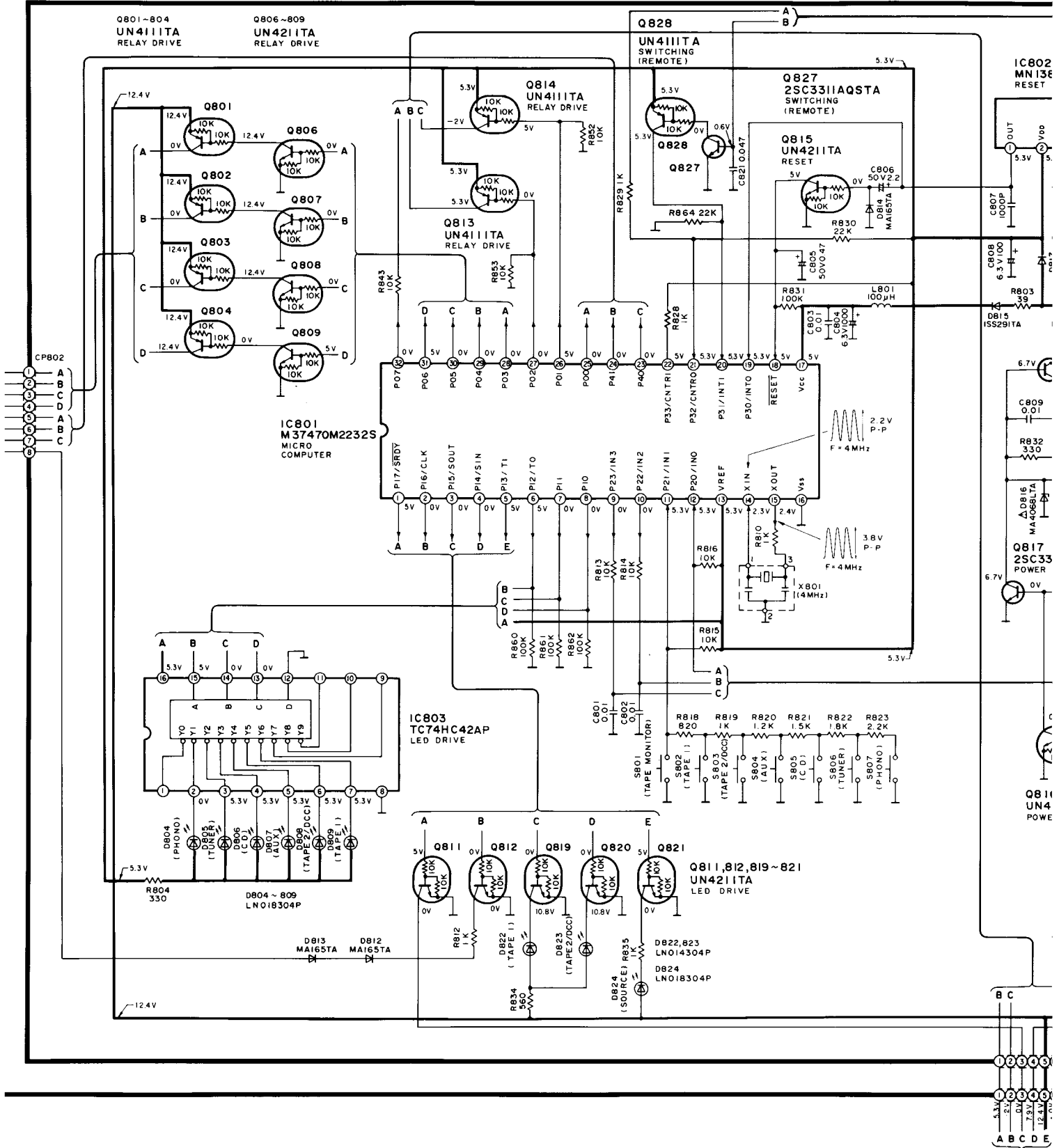
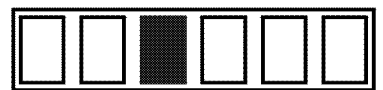
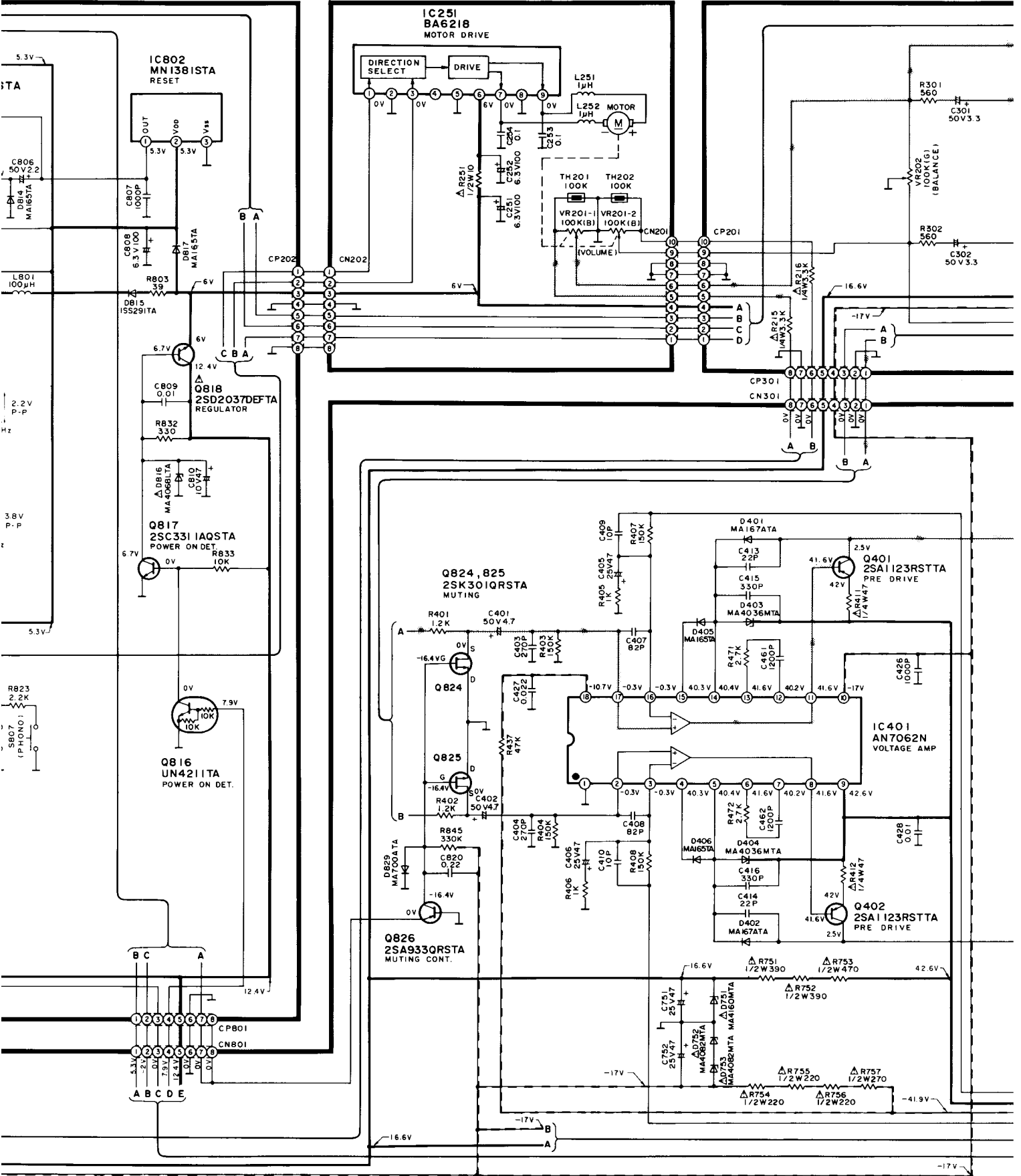


B OPERATION CIRCUIT



C VOLUME CIRCUIT

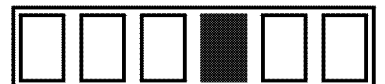
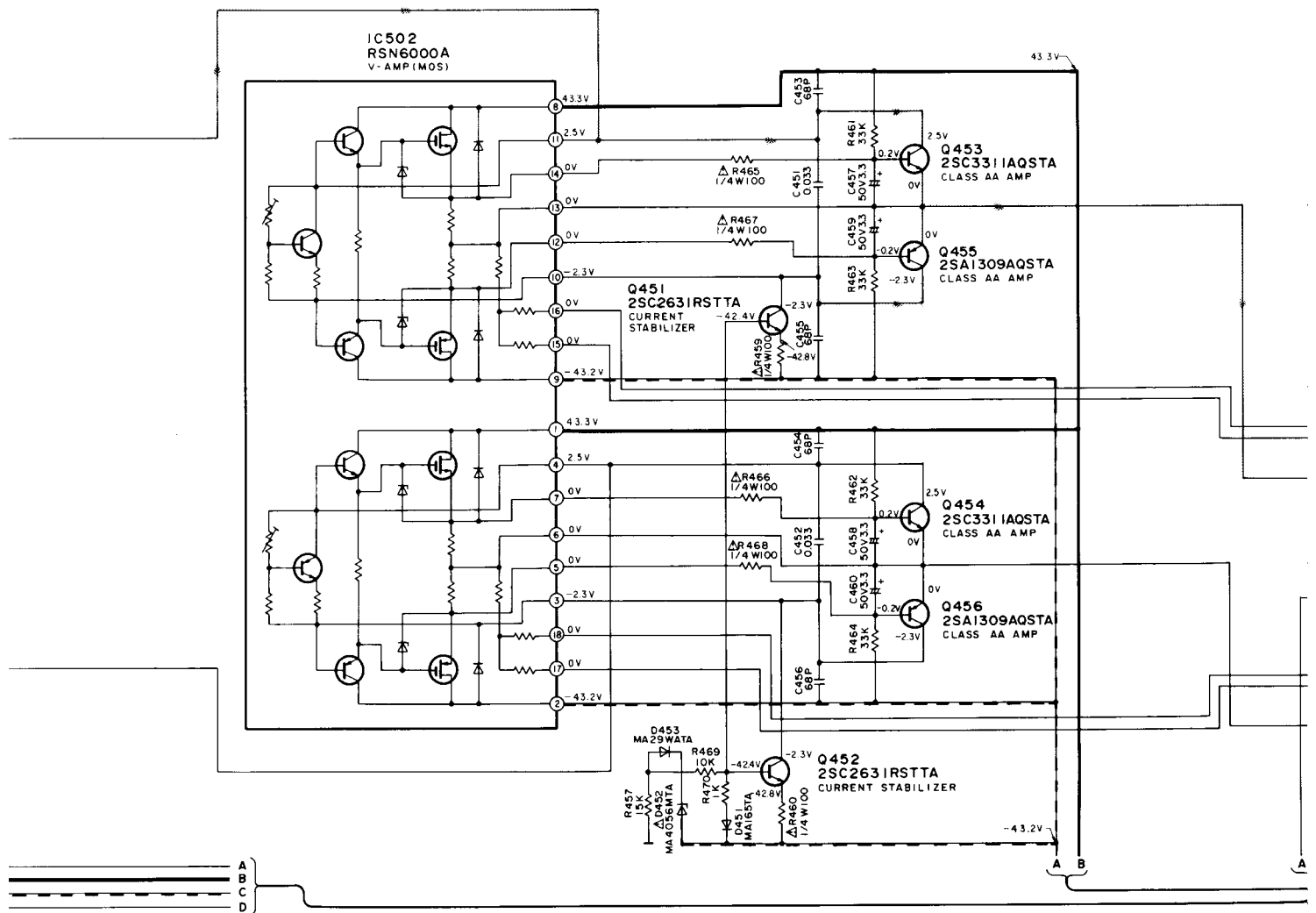
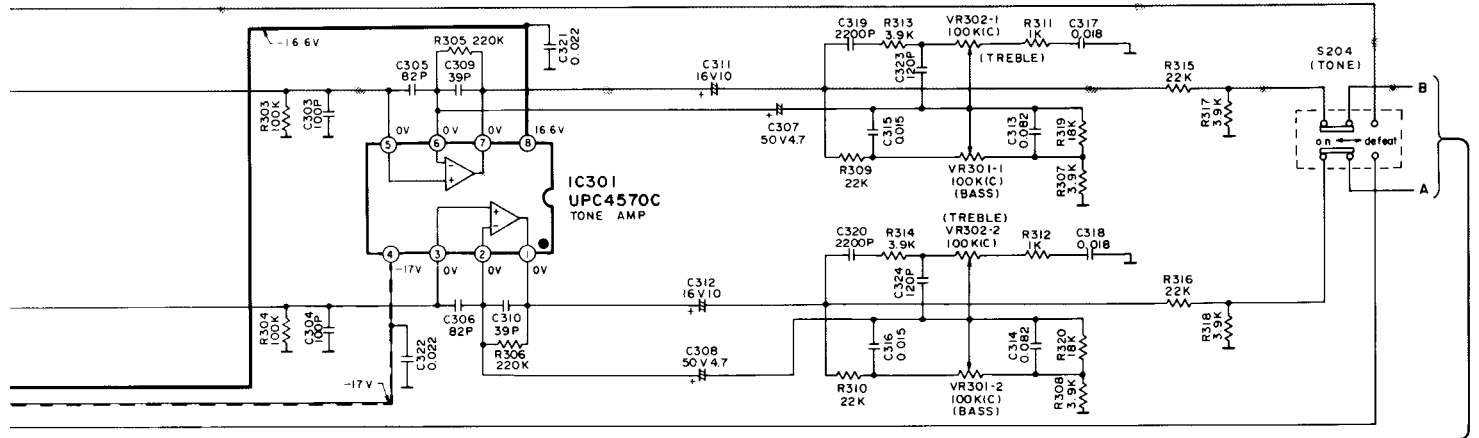
D TONE AMP CIRCUIT



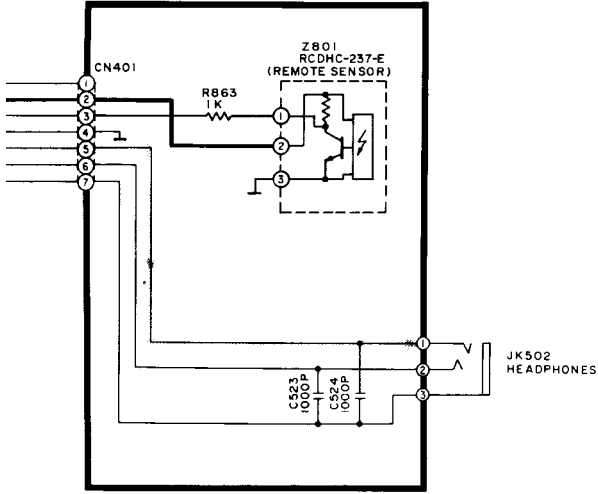
● Power Switch/Headphones Jack/Power Supply/Power Transformer Circuit

(Parts list on page 28~34.)

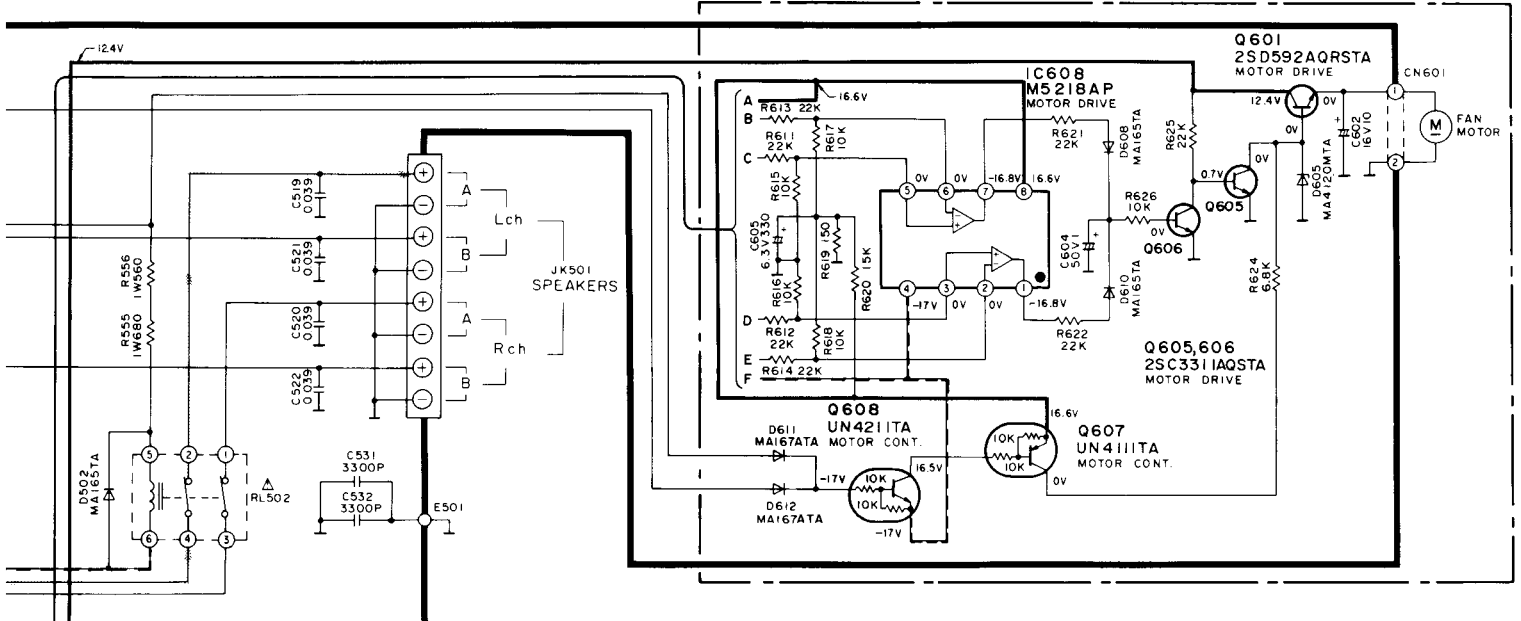
16 | 17 | 18 | 19 | 20



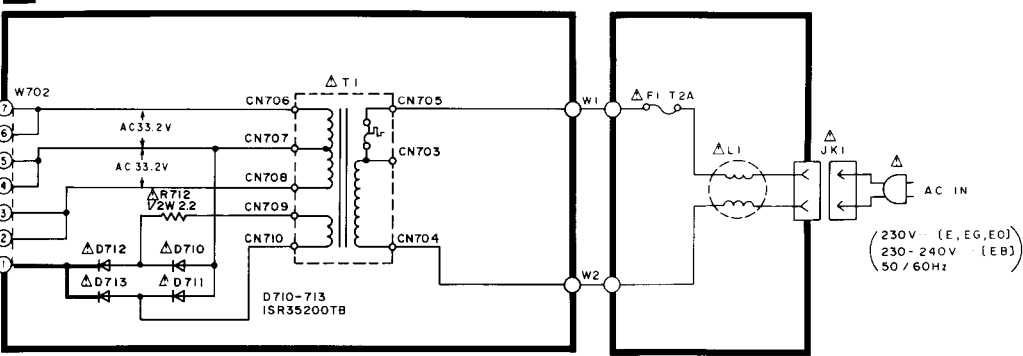
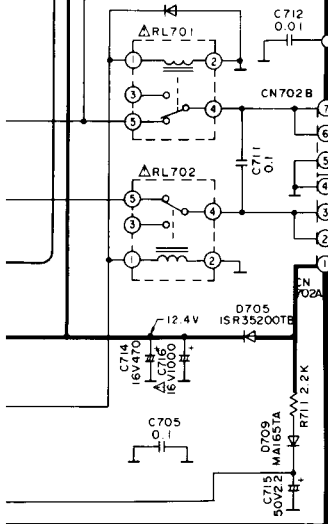
E HEADPHONES JACK CIRCUIT



For [E,B,E0] areas.



F POWER TRANSFORMER CIRCUIT



G POWER SUPPLY CIRCUIT

(230V - [E,EG,E0])
(230 - 240V [EB])
50 / 60Hz

